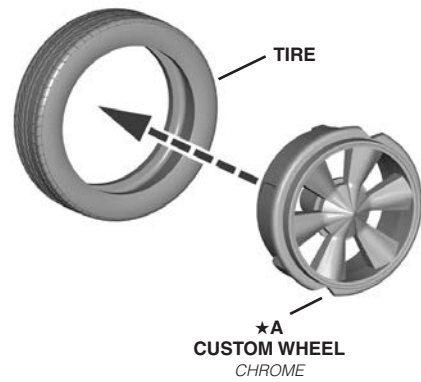
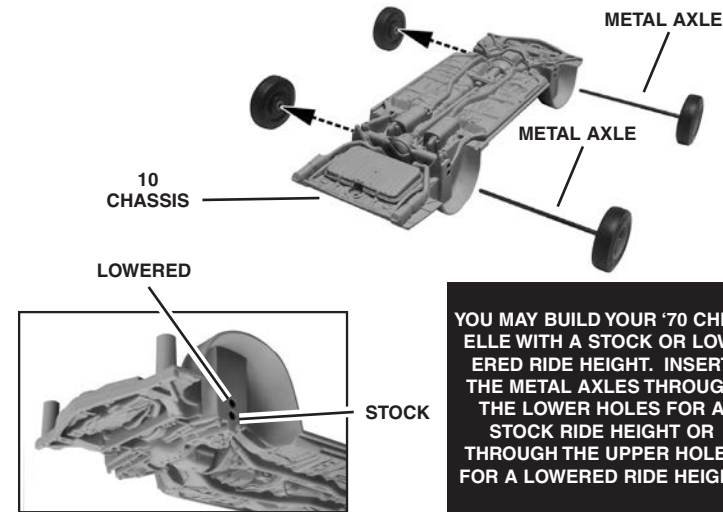


## Step 13

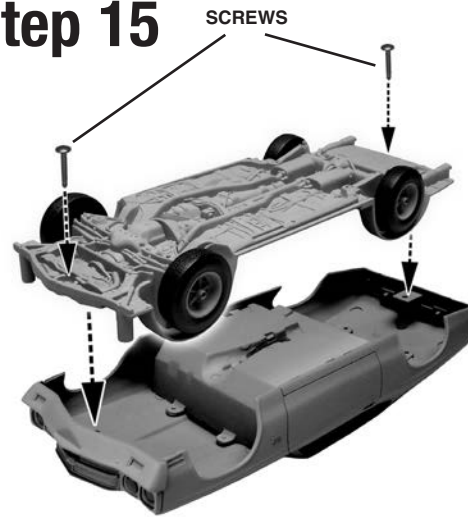


4X

## Step 14



## Step 15



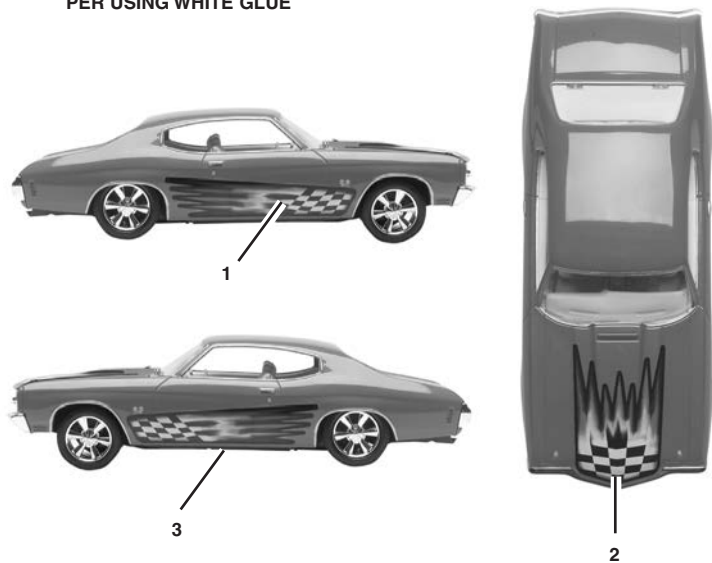
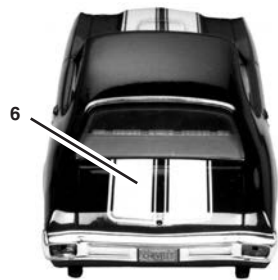
ANY UNUSED PARTS MAY BE DISCARDED

## Step 16

## Sticker Placement Guide



### OPTIONAL DECALS



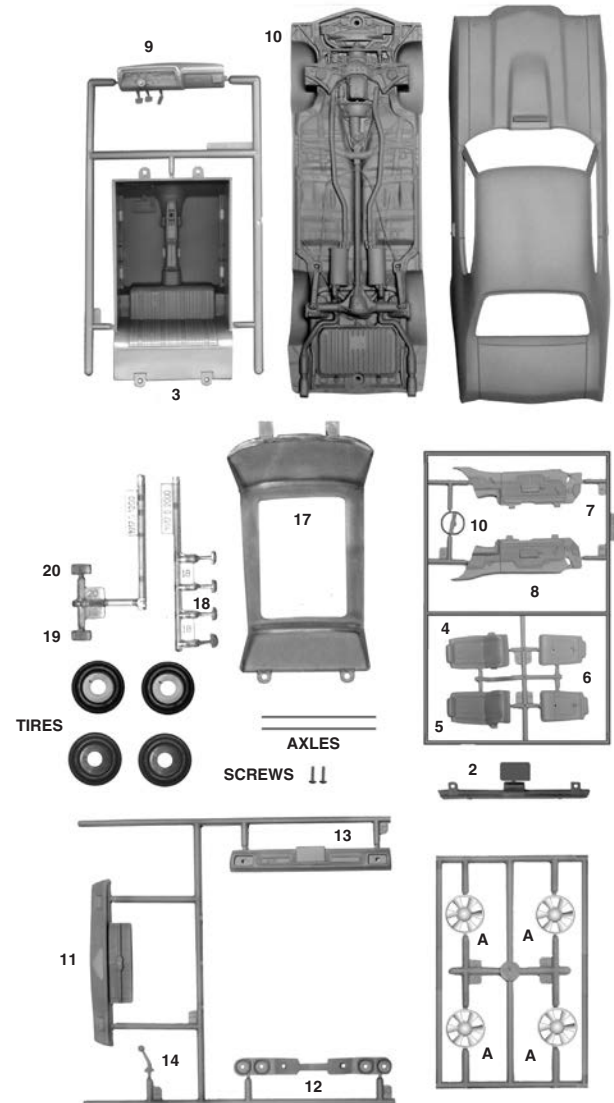
#### NOTE:

When applying stickers, avoid touching the "sticky" side to prevent finger prints on stickers. Bend sticker sheet slightly to lift edge of sticker & use a fingernail to lift sticker from sheet. Line up sticker on body and press an edge into place, slowly working sticker with a fingernail until sticker is fully on model.

#### REMARQUE:

Pendant l'application des autocollants, évitez de toucher à la face collante pour ne pas laisser d'empreintes. Plier légèrement la feuille d'autocollants pour relever le bord d'un autocollant, et le détacher de la feuille avec le bout d'un ongle. Aligner l'autocollant sur la carrosserie, appuyer pour coller un de ses bords, et continuer de l'appliquer lentement du bout de l'ongle jusqu'à ce qu'il soit complètement collé sur le modèle réduit.

## Parts Included



Revell

KIT 1932

85193210200

## '70 Chevelle™ SS 454

The 1970 Chevrolet® Chevelle™ SS™ 454 is one of the most awesome muscle cars that ever prowled the streets. The biggest, most powerful engine available was the LS-6 454, which Chevrolet rated at a staggering 450 HP—the highest horsepower rating of any muscle car. This engine was capable of pushing the Chevelle to impressive quarter mile times in the mid 13 second range at around 110 mph. Some Chevelle SS 454s were equipped with a special “cowl induction” hood with a vacuum operated flap at the rear of the hood that flipped up to draw cool air in to the monster engine. Today, because of its rarity and outrageous looks and performance, the 1970 Chevelle SS 454 is a highly valued collector car.

Your Revell kit features easy snap and screw together assembly, chrome plated parts, a factory stock or lowered ride height option, and colorful stick-on graphics.

4X

\* REPEAT SEVERAL TIMES  
\* A REPETER PLUSIEURS FOIS



\* REMOVE AND THROW AWAY  
\* A RETIRER ET JETER

?

\* OPTIONAL PARTS  
\* PIECES EN OPTION



\* APPLY STICKERS  
\* APPLIQUEZ LES AUTO-COLLANTS

### READ BEFORE YOU BEGIN

- CLEAR A SPACE TO WORK ON
- STUDY THE ASSEMBLY DRAWINGS BEFORE YOU BEGIN
- EACH PLASTIC PART IS IDENTIFIED BY A PART NUMBER
- DO NOT OVER TIGHTEN SCREWS
- SEE NOTE ABOUT APPLYING STICKERS IN STEP #16

CAUTION:  
POSITION ALL PARTS IN THIS KIT CAREFULLY. PARTS WILL ONLY SNAP TOGETHER ONCE.

### À LIRE AVANT DE COMMENCER

- DÉGAGEZ UN ESPACE POUR TRAVAILLER.
- ÉTUDIEZ LES ÉTAPES DE MONTAGE AVANT DE COMMENCER.
- CHAQUE PIÈCE EN PLASTIQUE PORTE UN NUMÉRO DE PIÈCE.
- NE SERREZ PAS TROP LES VIS.
- LISEZ LA RE MARQUE CONCERNANT L'APPLICATION DES AUTO COLLANTS, À L'ÉTAPE 16.

MISE EN GARDE:  
POSITIONNEZ AVEC PRÉCAUTION TOUTES LES PIÈCES DE CE MODÈLE RÉDUIT, CAR VOUS NE POUVEZLES EMBÔTER QU'UNE SEULE FOIS.

If you have any questions or comments, call our hotline at: (800) 833-3570 or, please write to:

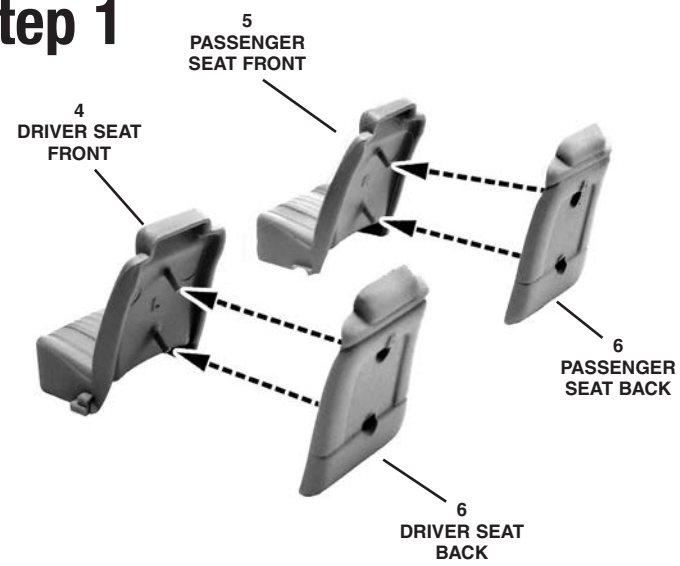
Revell Inc Consumer Service Department, 1850 Howard Street Unit A, Elk Grove Village, Illinois 60007

Be sure to include the plan number (85193210200), part number, description, your return address and phone number.

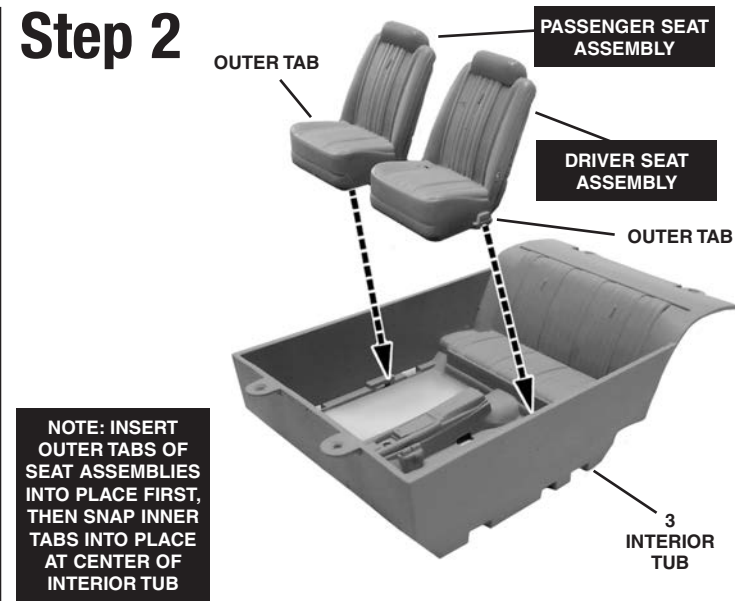
Visit our website: [www.revell.com](http://www.revell.com)

Revell Inc. Elk Grove Village, IL. Copyright © 2009. All rights reserved.

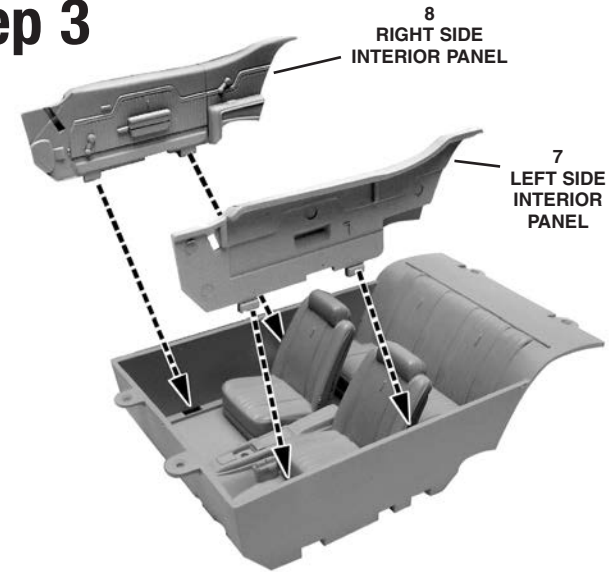
### Step 1



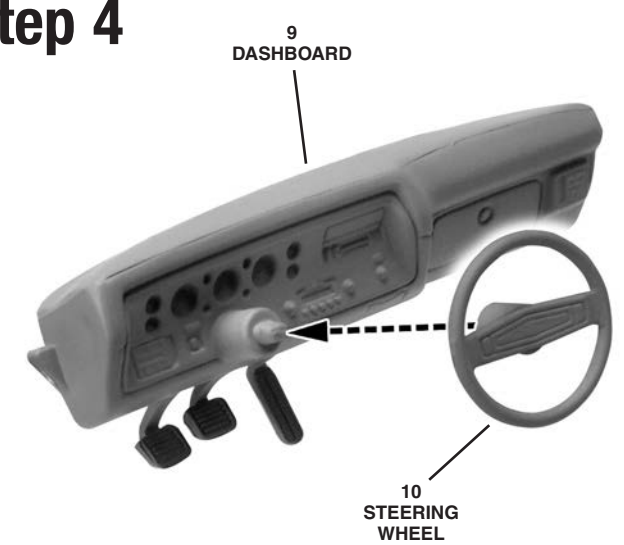
### Step 2



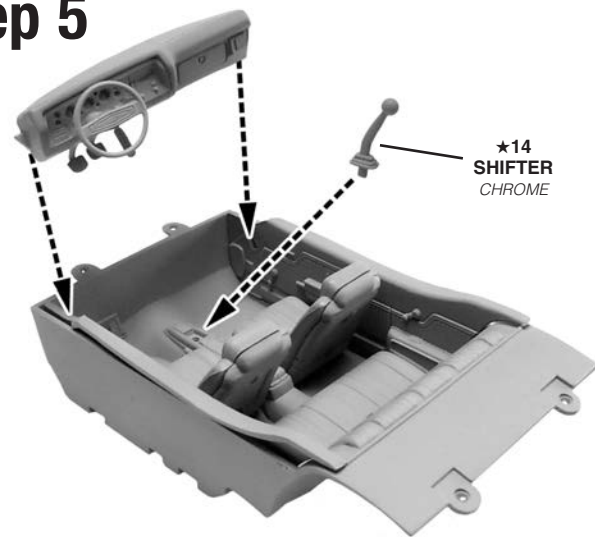
### Step 3



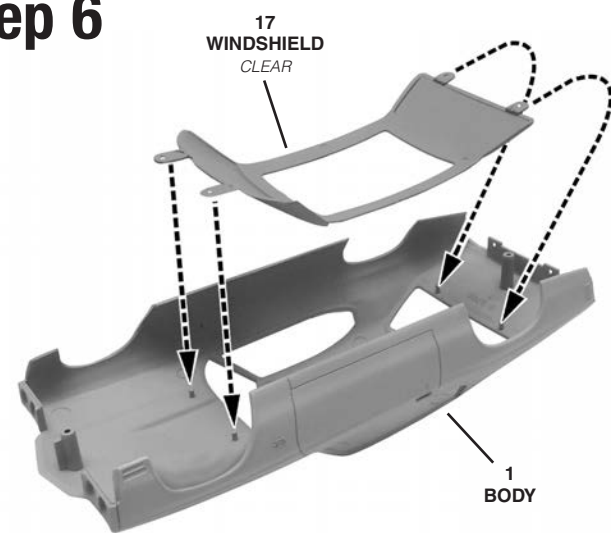
### Step 4



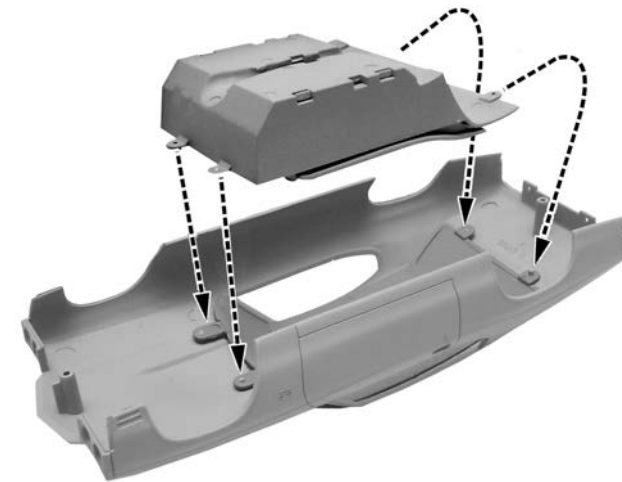
### Step 5



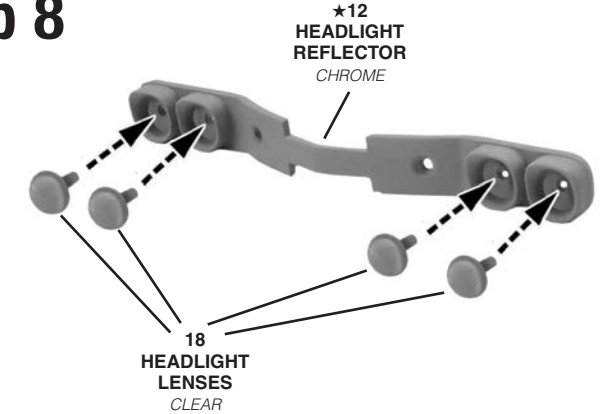
### Step 6



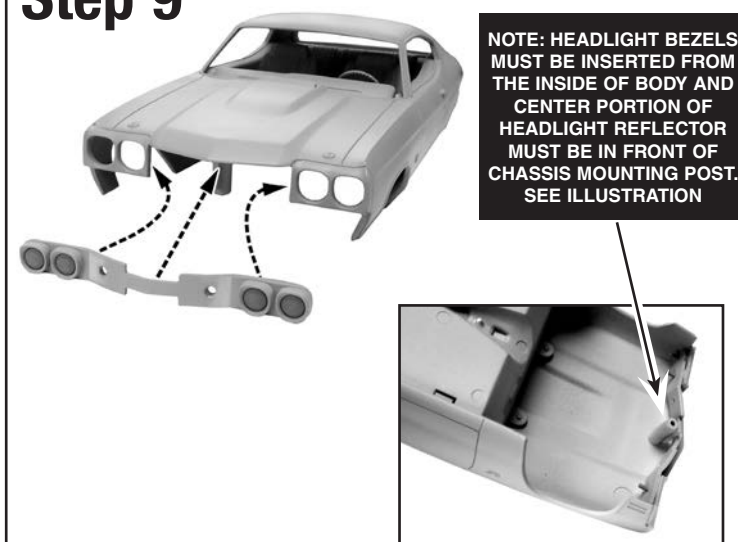
### Step 7



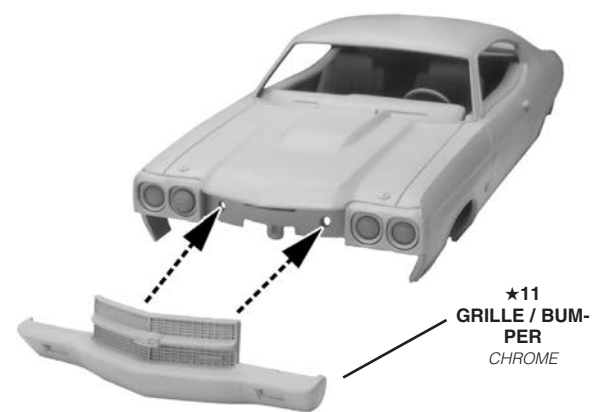
### Step 8



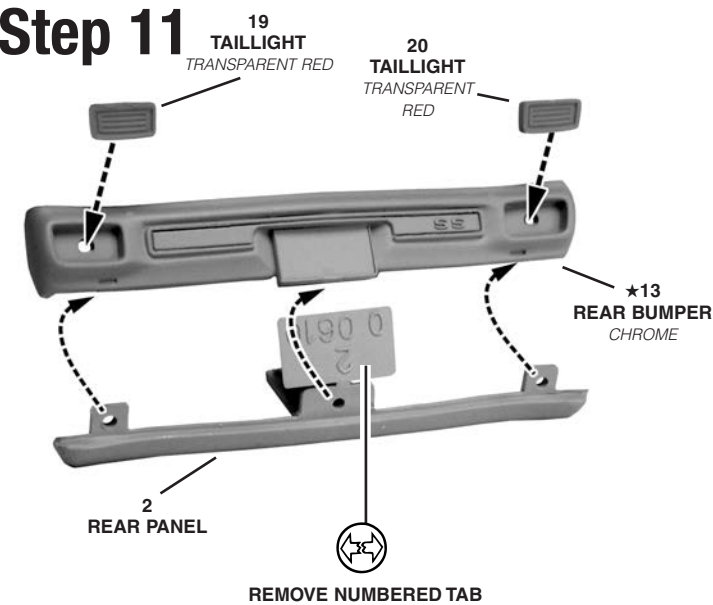
### Step 9



### Step 10



### Step 11



### Step 12

