



KIT 1441

85144100200

Chevrolet® L89

Big Block Engine

First Introduced in 1966 with its aluminum cylinder heads and triple carburetors, the huge Turbo-Jet 427 L-89 V8 was one of the most feared high performance engines on the drag strip! With a bore of 4.25 cubic inches and power ratings said to be conservative, the fire breathing L89 pumps out over 435 hp and 460 ft-lbs of torque! Painted in authentic factory "Chevy Orange" with simulated aluminum heads, this brute is loaded with details like realistic spark plug wires, vacume hoses, fuel lines, chrome valve covers and a removable air filter! Your 1/6th Revell Chevrolet® L89 Big Block Engine kit includes rubber belts to connect all moving parts, so that when you turn the flywheel, the starter, alternator, fan and pulleys all rotate at the same time! It's so true to life you'll almost want to put gas in it and fire it up!



* REPEAT SEVERAL TIMES
* A REPETER PLUSIEURS FOIS



* CEMENT TOGETHER
* A COLLER



* DO NOT CEMENT
* NE PAS COLLER

If you have any questions or comments, call our hotline at: **(800) 833-3570**
or, please write to:

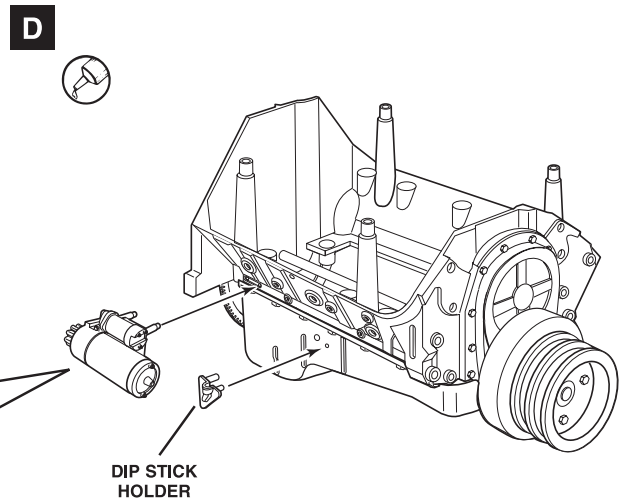
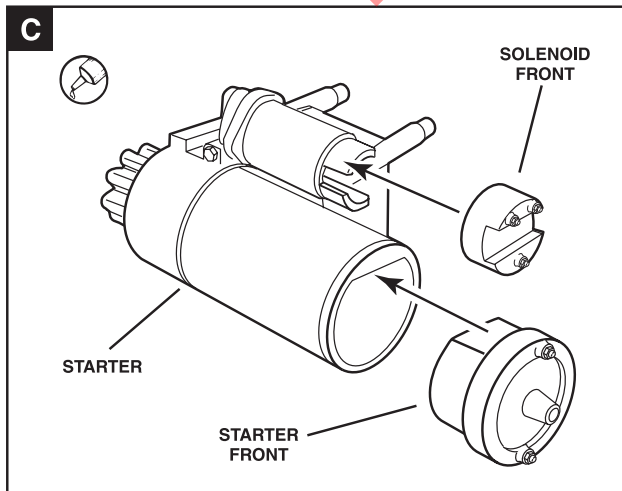
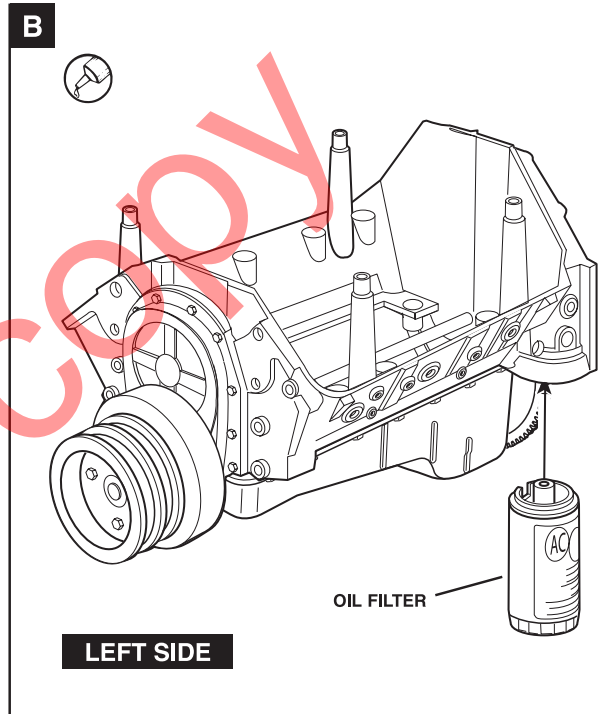
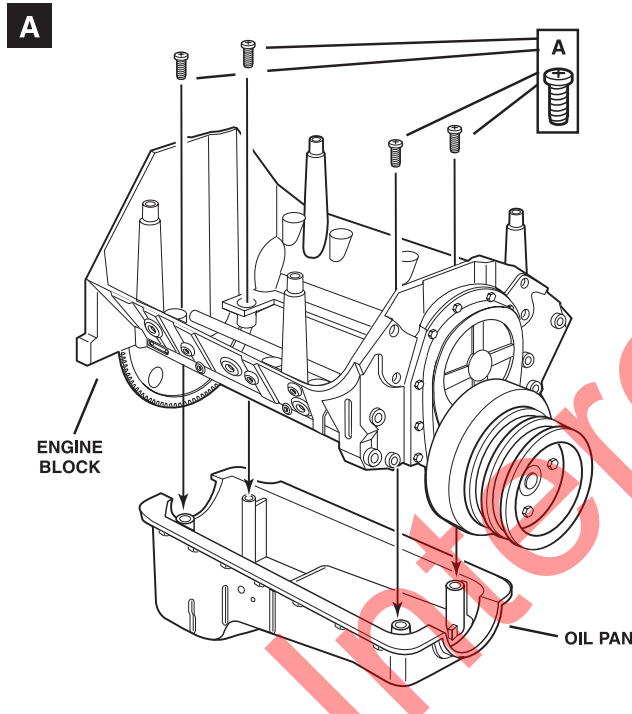
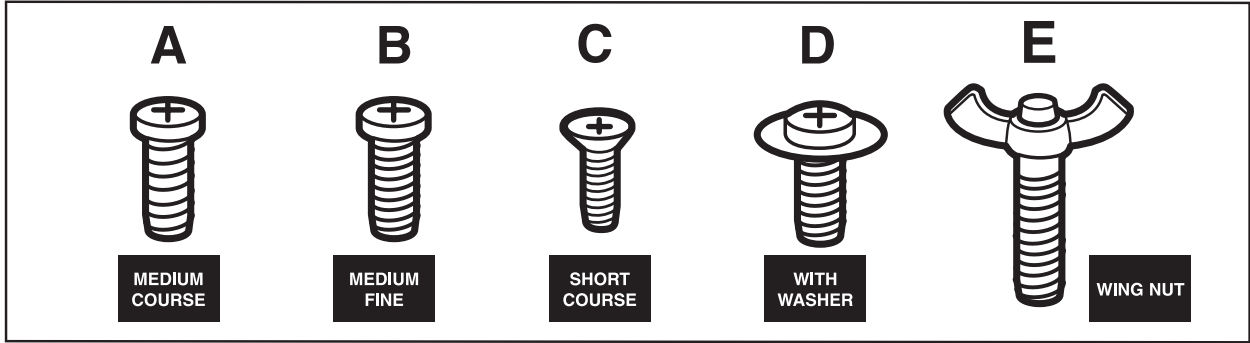
Revell-Monogram Consumer Service Department, 725 Landwehr Road, Northbrook, Illinois 60062

Be sure to include the plan number (85144100200), part number, description, your return address and phone number.

Visit our website: www.revell.com

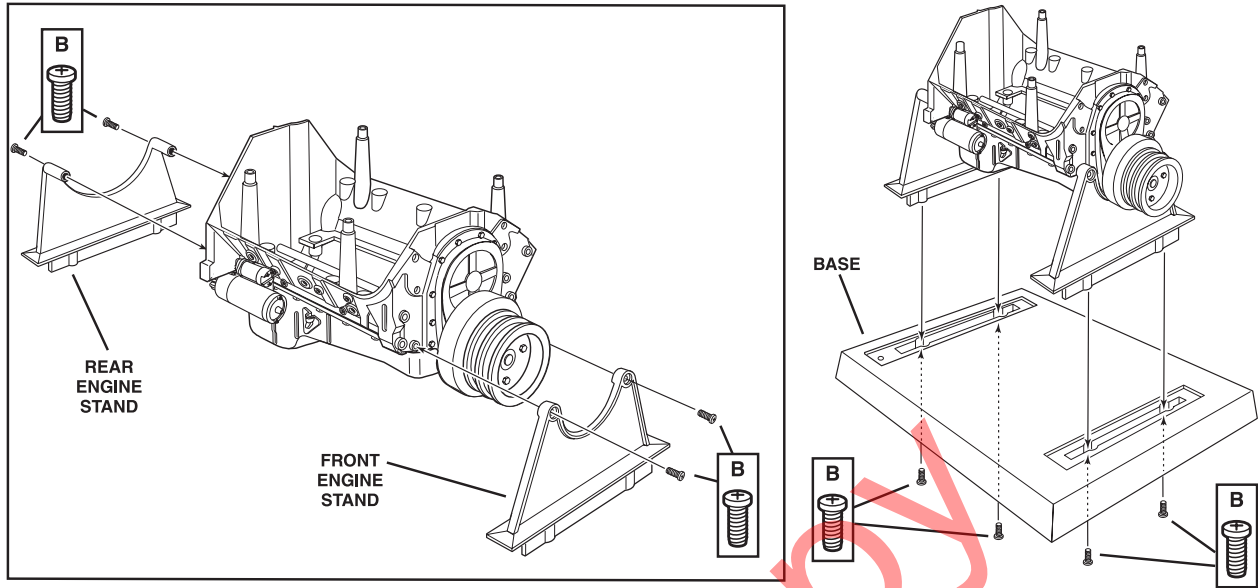
1

BLOCK ASSEMBLY



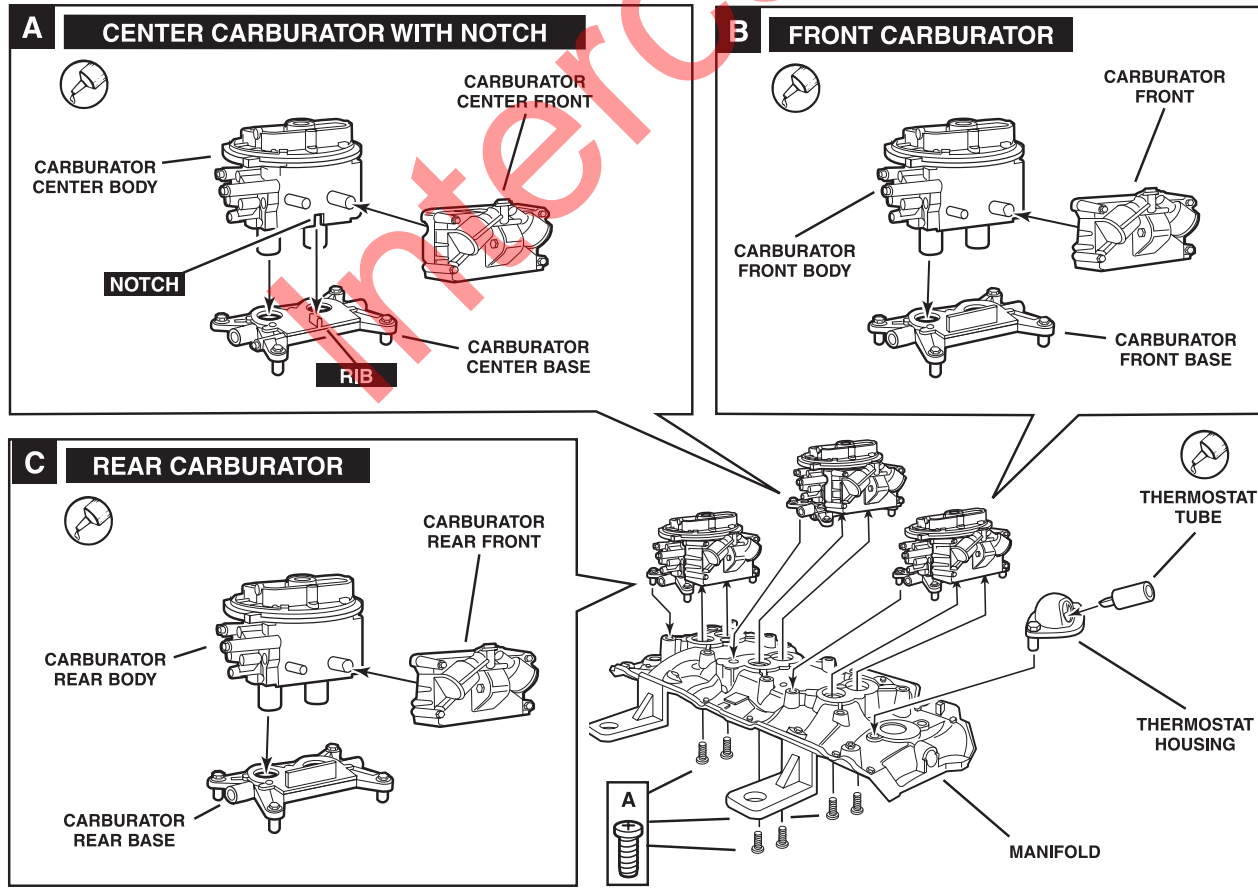
2

STAND ASSEMBLY



3

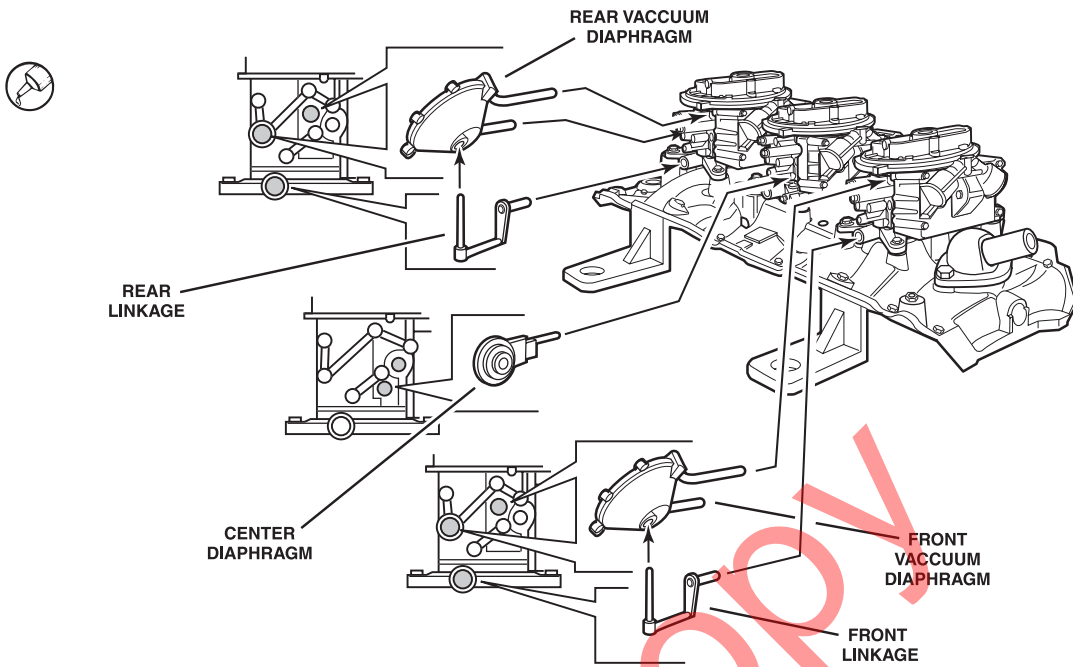
CARBURATOR / MANIFOLD ASSEMBLY



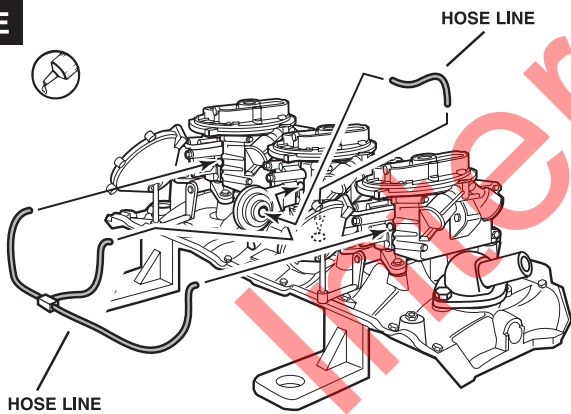
3

CARBURATOR ASSEMBLY CONTINUED

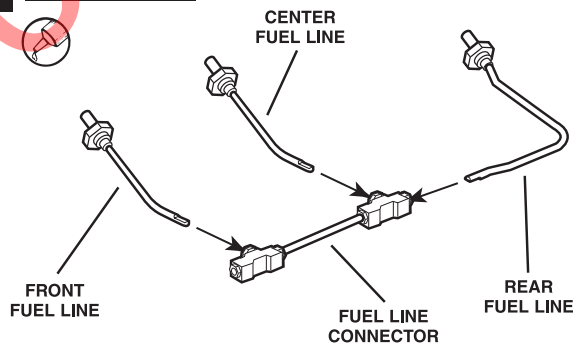
D



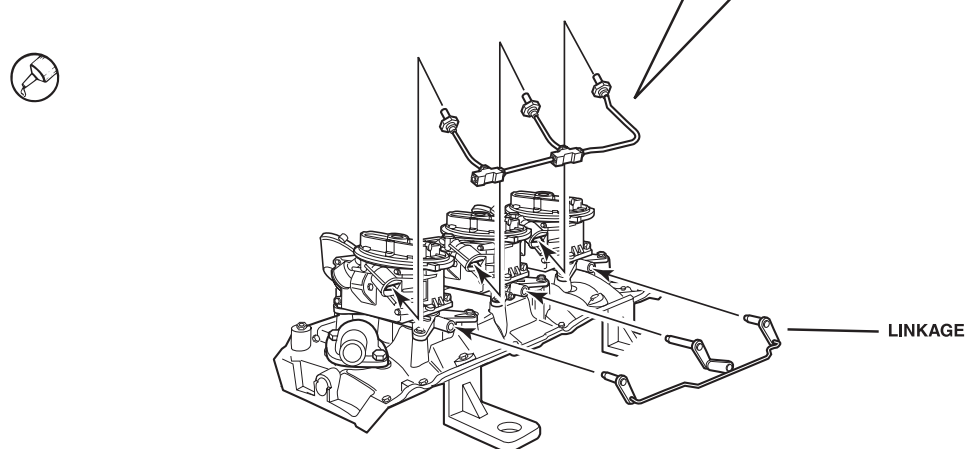
E



F LEFT SIDE



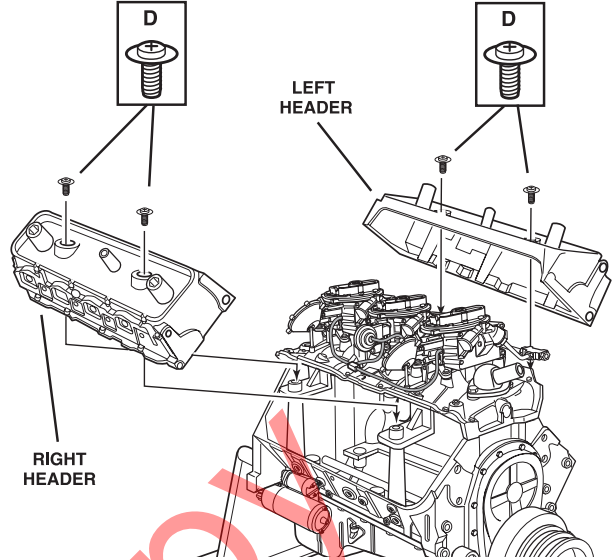
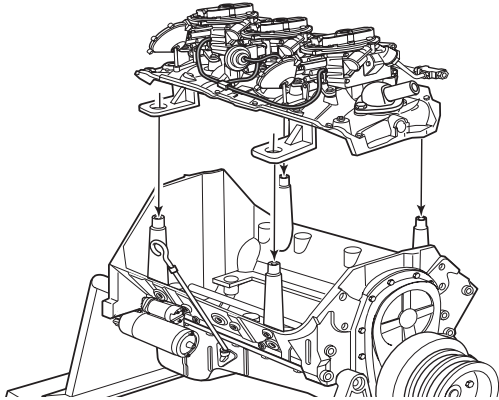
G



4

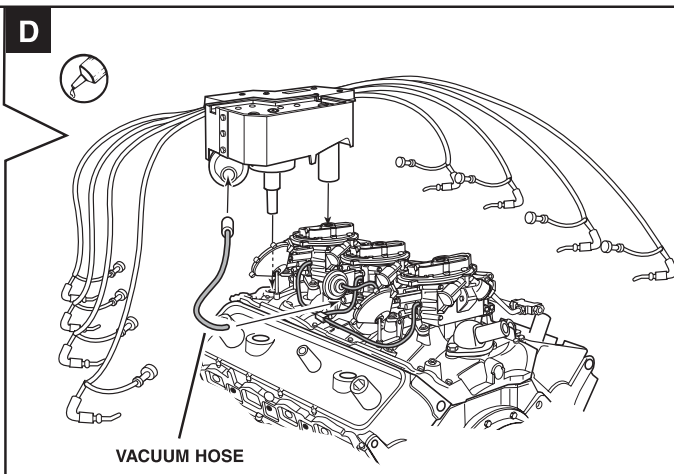
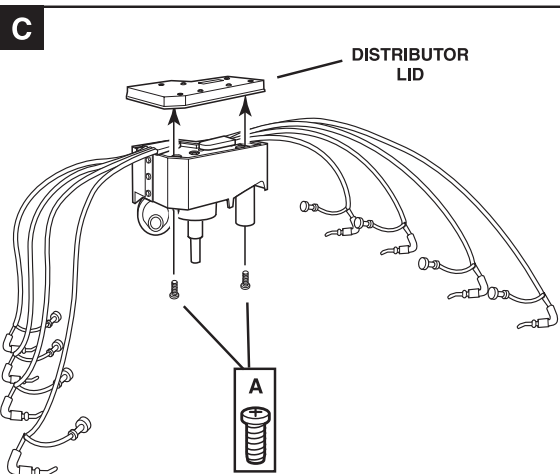
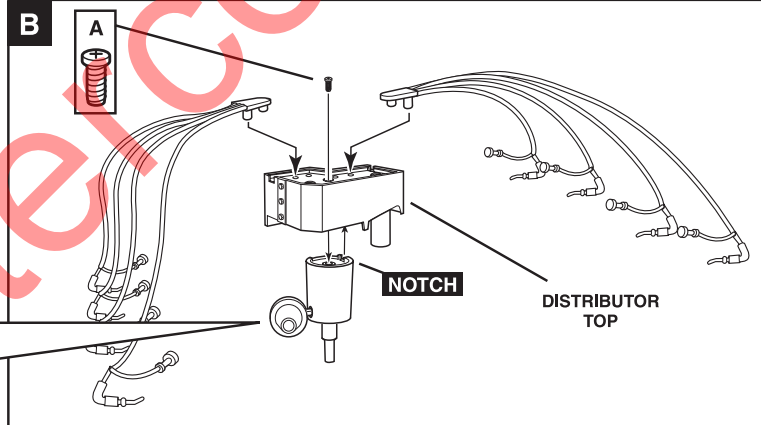
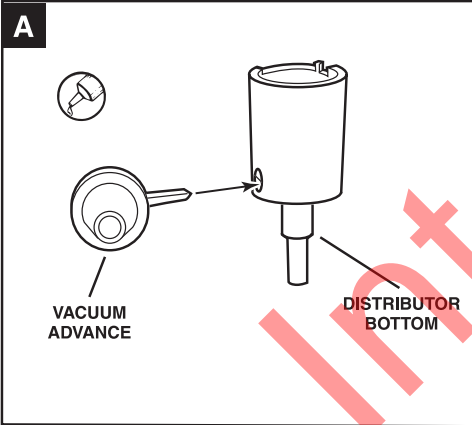
MANIFOLD / HEADER ASSEMBLY

COMPLETED MANIFOLD AND CARBURATOR ASSEMBLY



5

DISTRIBUTOR ASSEMBLY



6

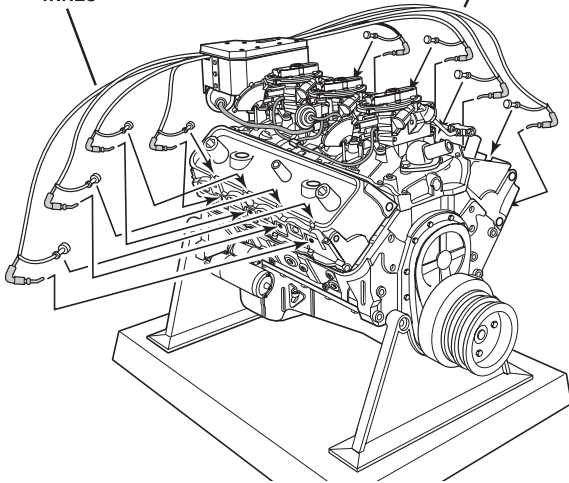
WIRES / COVERS ASSEMBLY



SPARK PLUG WIRES TO HEADERS

RIGHT SPARK PLUG WIRES

LEFT SPARK PLUG WIRES



OIL FILLER CAP



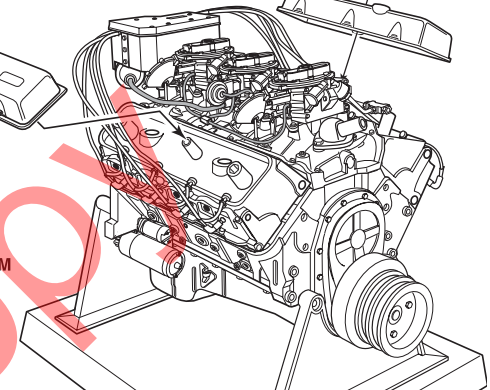
ROCKER-ARM COVER



SPARK PLUG WIRE CLIP

SPARK PLUG WIRE CLIP

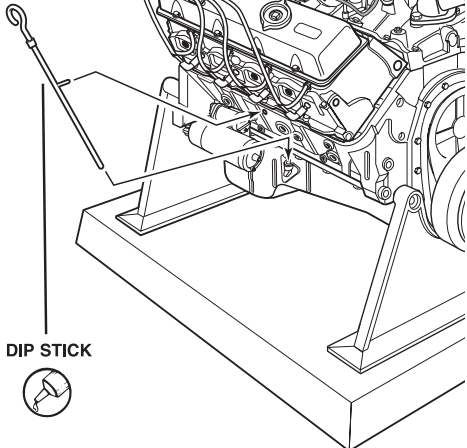
ROCKER-ARM COVER



7

DIP STICK / EXHAUST ASSEMBLY

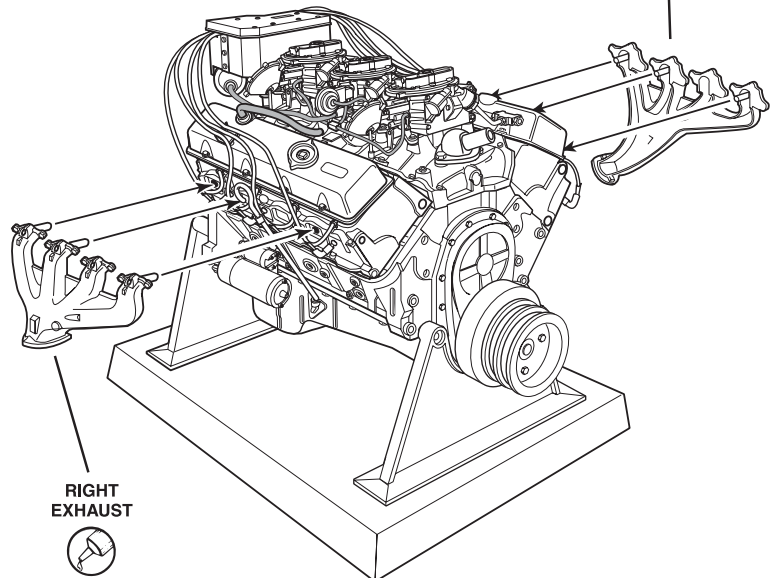
PCV HOSE



DIP STICK



LEFT EXHAUST

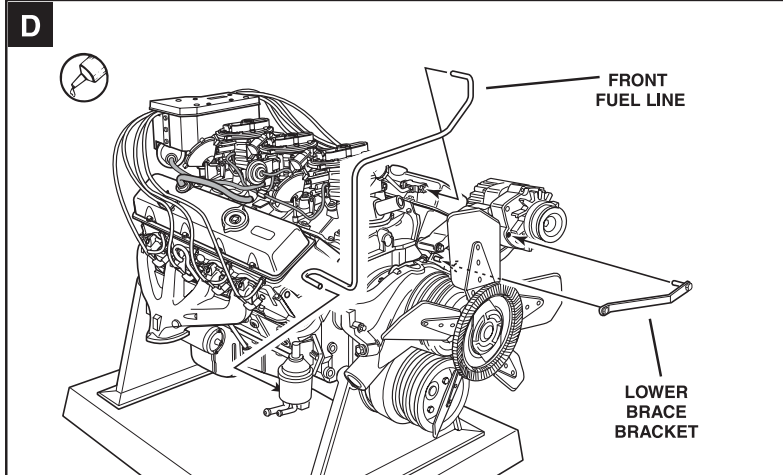
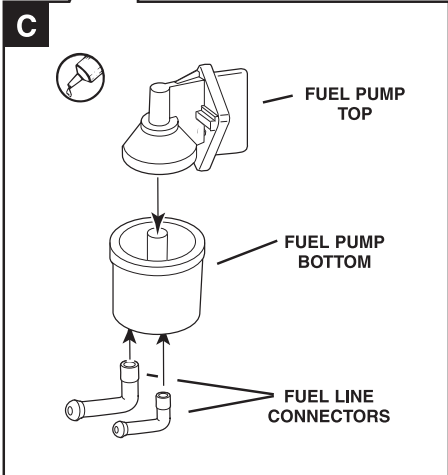
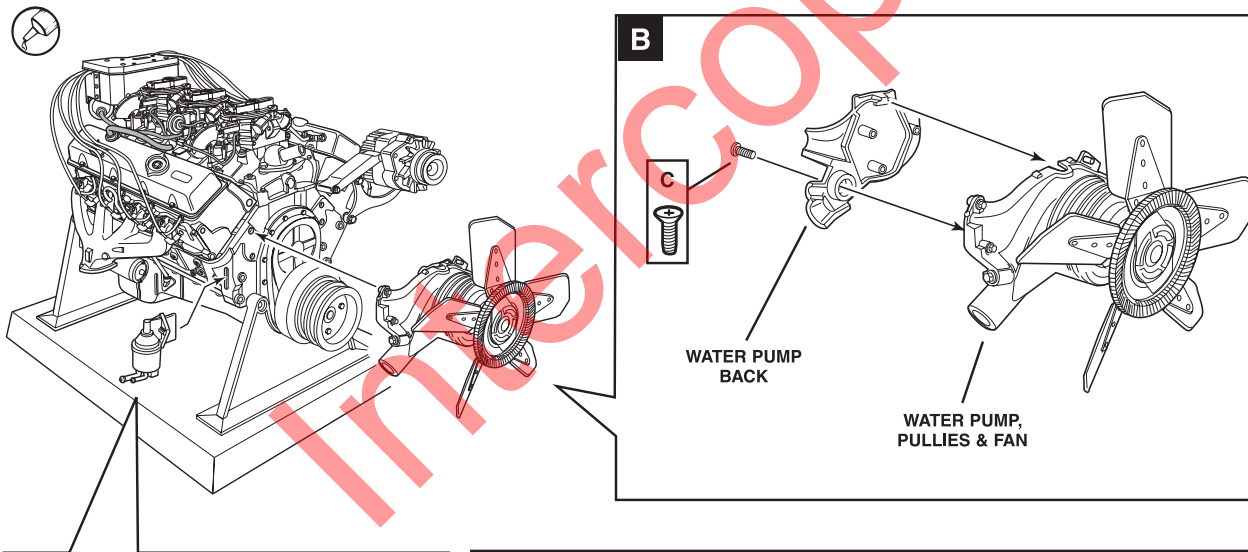
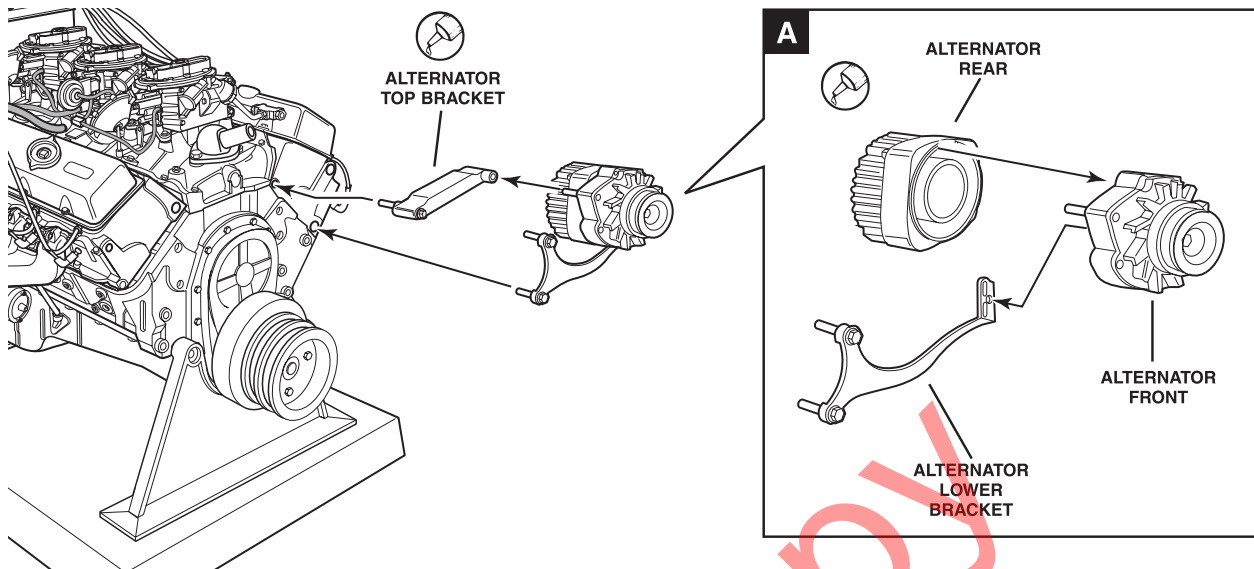


RIGHT EXHAUST



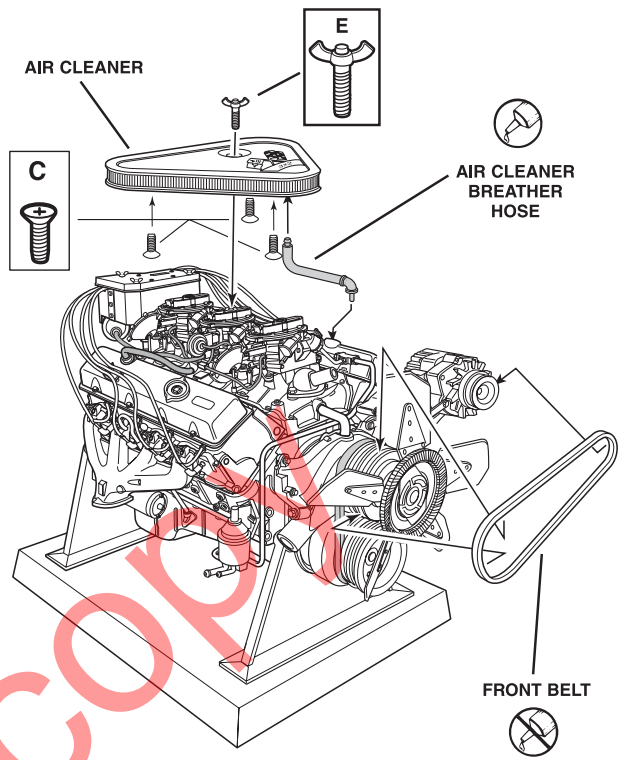
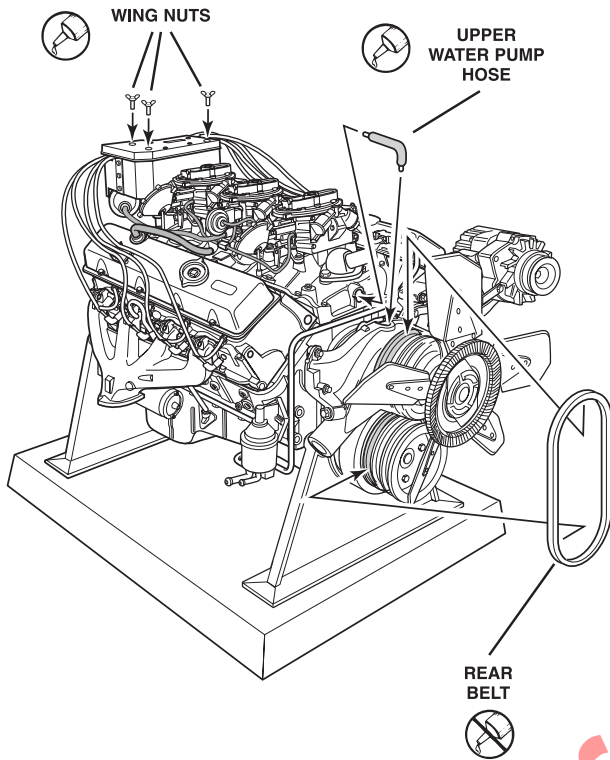
8

FRONT ENGINE ASSEMBLY



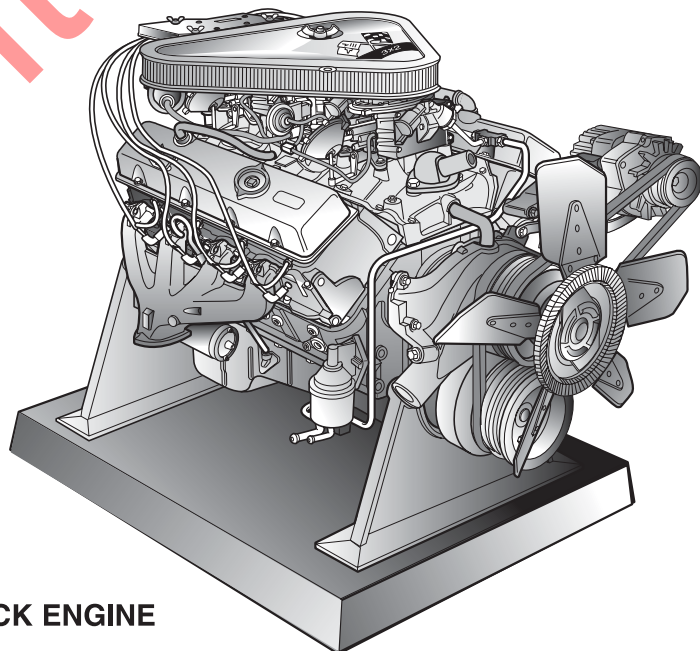
9

FINAL ASSEMBLY



10

COMPLETED ENGINE



CHEVROLET L89 BIG BLOCK ENGINE