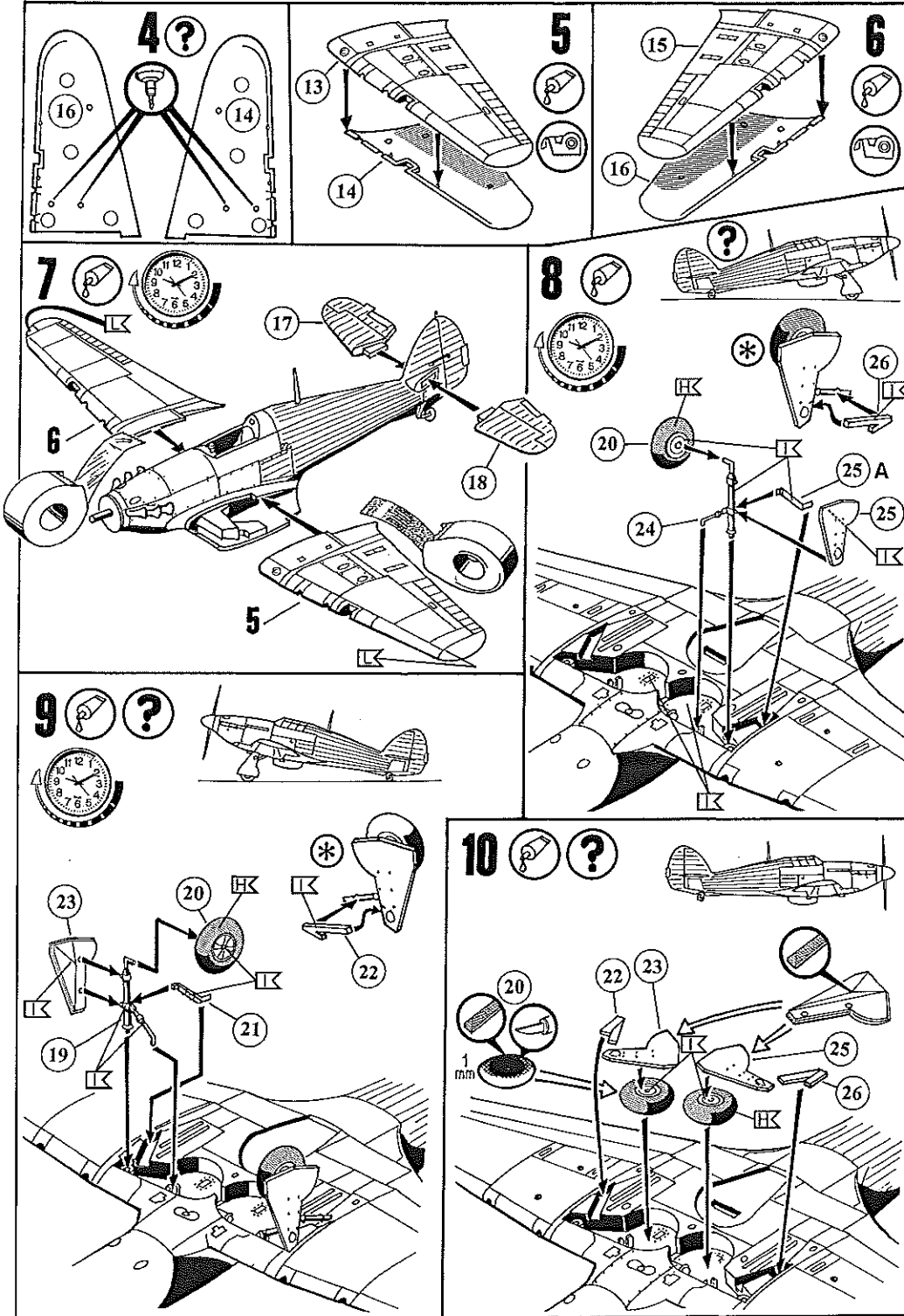


1

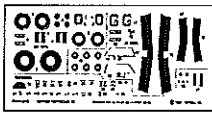
2

3

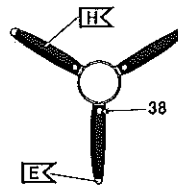
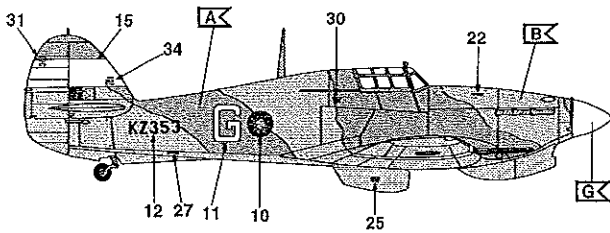
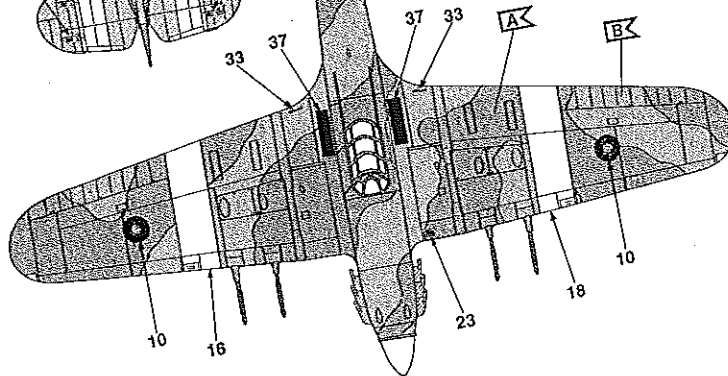
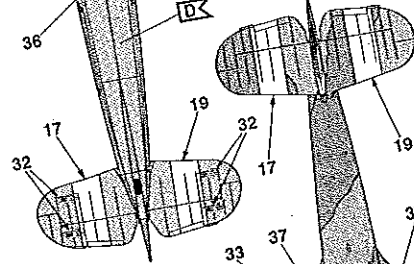
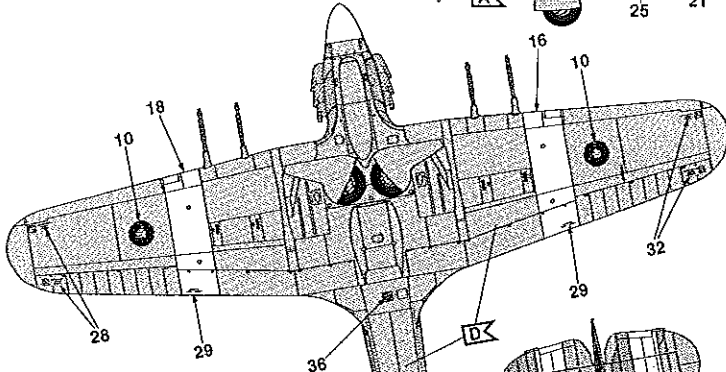
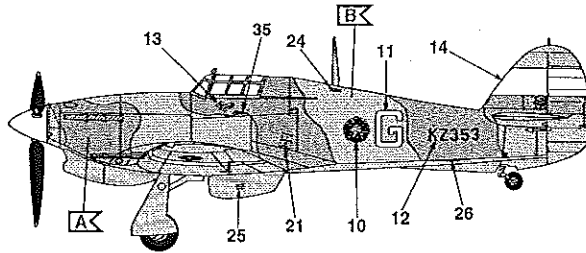
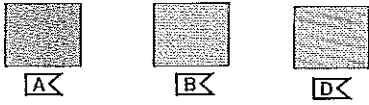
■ Nicht benötigt Teile
 Parts not used
 Pieseis non ucikohes
 Nal berodigje onderdelen
 Pieseis no rekasarlas
 Pieseis nra utrasades
 Pieseis non iaseta
 Irits an'andis d'elars
 Tapachetnral osat
 Nal berodigje d'elars
 D'elars som Nal ut'nyndigje
 Elementy n'apobrzebena
 Irits xp'el'at'ol'ov'eva sk'op'rij'p'ata
 G'ep'osiz' n'ar'el'ar
 Nap'ot'el'na d'ily
 Nel nem hasznarit alk'el'ez'szek
 Nap'ot'el'ni d'el'i



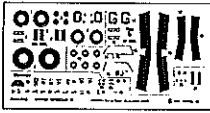
17



Hawker Hurricane Mk.IIc, No.28 (Army Cooperation) Squadron, RAF South East Asia Command (SEAC), Dalbunghar, North East India, 1944



18



Hawker Hurricane Mk.IIc, No.336 (Greek Squadron, Desert Air Force, RAF, LG (Landing Ground) 8 Mersa Matruh, Egypt, 1944.

