



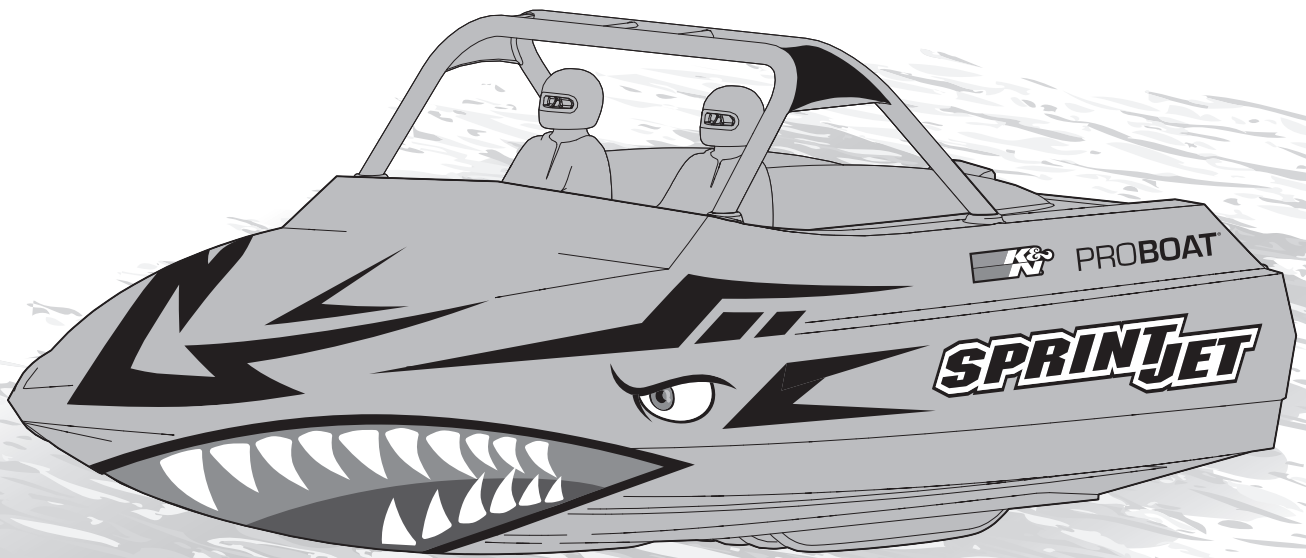
PROBOAT™
ProBoatModels.com

Sprintjet™

PRB08045

9-INCH RTR SELF-RIGHTING JET BOAT

**Owners Manual • Bedienungsanleitung
Manuel de l'utilisateur • Manuale dell'utente**



NOTICE

All instructions, warranties and other collateral documents are subject to change at the sole discretion of Horizon Hobby, LLC. For up-to-date product literature, visit www.horizonhobby.com or www.towerhobbies.com and click on the support or resources tab for this product.

MEANING OF SPECIAL LANGUAGE

The following terms are used throughout the product literature to indicate various levels of potential harm when operating this product:

WARNING: Procedures, which if not properly followed, create the probability of property damage, collateral damage, and serious injury OR create a high probability of superficial injury.

CAUTION: Procedures, which if not properly followed, create the probability of physical property damage AND a possibility of serious injury.

NOTICE: Procedures, which if not properly followed, create a possibility of physical property damage AND little or no possibility of injury.



WARNING: Read the ENTIRE instruction manual to become familiar with the features of the product before operating. Failure to operate the product correctly can result in damage to the product, personal property and cause serious injury.

This is a sophisticated hobby product. It must be operated with caution and common sense and requires some basic mechanical ability. Failure to operate this Product in a safe and responsible manner could result in injury or damage to the product or other property. This product is not intended for use by children without direct adult supervision. Do not use with incompatible components or alter this product in any way outside of the instructions provided by Horizon Hobby, LLC. This manual contains instructions for safety, operation and maintenance. It is essential to read and follow all the instructions and warnings in the manual, prior to assembly, setup or use, in order to operate correctly and avoid damage or serious injury.



WARNING AGAINST COUNTERFEIT PRODUCTS: Always purchase from a Horizon Hobby, LLC authorized dealer to ensure authentic high-quality Spektrum product. Horizon Hobby, LLC disclaims all support and warranty with regards, but not limited to, compatibility and performance of counterfeit products or products claiming compatibility with DSM or Spektrum technology.

Age Recommendation: Not for children under 14 years. This is not a toy.

Safety Precautions and Warnings

As the product user, you are solely responsible for operating it in a manner that does not endanger yourself and others or result in damage to the product or the property of others.

- When handling and/or transporting your boat, always pick up the boat from the front, keeping all moving parts pointed away from you.
- Always keep a safe distance in all directions around your model to avoid collisions or injury. This model is controlled by a radio signal subject to interference from many sources outside your control. Interference can cause momentary loss of control.
- Always operate your model in open spaces away from full-size vehicles, traffic and people.

- Always carefully follow the directions and warnings for this and any optional support equipment (chargers, rechargeable battery packs, etc.).
- Always keep all chemicals, small parts and anything electrical out of the reach of children.
- Always avoid water exposure to all equipment not specifically designed and protected for this purpose. Moisture causes damage to unprotected electronics.
- Never place any portion of the model in your mouth as it could cause serious injury or even death.
- Never operate your model with low transmitter batteries.

Water-Resistant Boat with Waterproof Electronics

Your new Horizon Hobby boat has been designed and built with a combination of waterproof and water-resistant components to allow you to operate the product in calm, fresh water conditions.

While the entire boat is highly water-resistant, it is not completely waterproof and your boat should NOT be treated like a submarine. The various electronic components used in the boat, such as the Electronic Speed Control (ESC), servo(s) and receiver are waterproof, however, most of the mechanical components are water-resistant and require additional maintenance after use.

Metal parts, including the bearings, pins, screws and nuts, propeller, rudder, rudder mounts, prop struts, as well as the contacts in the electrical cables, will be susceptible to corrosion if additional maintenance is not performed after running in wet conditions. To maximize the long-term performance of your boat and to keep the warranty intact, the procedures described in the "Wet Conditions Maintenance" section on next page must be performed regularly.



CAUTION: Failure to exercise caution while using this product and complying with the following precautions could result in product malfunction and/or void the warranty.

General Precautions

- Read through the wet conditions maintenance procedures and make sure that you have all the tools you will need to properly maintain your boat.
- Not all batteries can be used in wet conditions. Consult the battery manufacturer before use. Take caution when using Li-Po batteries in wet conditions.
- Most transmitters are not water-resistant. Consult your transmitter's manual or the manufacturer before operation.
- Never operate your transmitter or boat where lightning may be present.
- Salt water is very conductive and highly corrosive. If you choose to run your boat in salt water, immediately rinse the boat in fresh water after every use. Operating your boat in salt water is at the sole discretion of the modeler.
- Even minimal water contact can reduce the life of your motor if it has not been certified as water-resistant or waterproof. If the motor becomes excessively wet, apply very light throttle until the water is mostly removed from the motor. Running a wet motor at high speeds may rapidly damage the motor.
- Driving in wet conditions can reduce the life of the motor. The additional resistance of operating in water causes excess strain.

Wet Conditions Maintenance

- Drain any water that has collected in the hull by removing the drain plug or canopy and tilting the boat in the appropriate direction to drain the water.



CAUTION: Always keep hands, fingers, tools and any loose or hanging objects away from rotating parts.

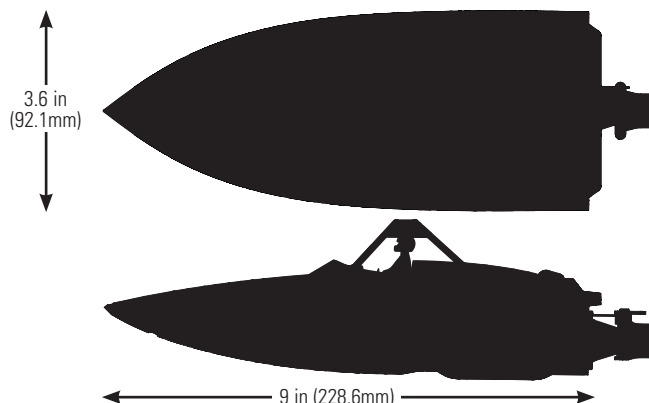
- Remove the battery pack(s) and disconnect the ESC and motor. Dry the contacts. If you have an air compressor or a can of compressed air, blow out any water that may be inside the recessed connector housings.
- Remove the drive shaft and all moving parts. Dry and lubricate parts after every 30 minutes of operation or if the boat becomes submerged.

NOTICE: Never use a pressure washer to clean your boat.

- Use an air compressor or a can of compressed air to dry the boat and help remove any water that may have gotten into small crevices or corners.
- Spray the bearings, fasteners and other metal parts with a water-displacing light oil or lubricant. Do not spray the motor.
- Let the boat air dry before you store it. Water (and oil) may continue to drip for a few hours.

Specifications

Length	9 in (228.6mm)
Beam	3.6 in (92.1mm)
Transmitter	2.4 GHz (HRZ00001)
Hull Material	ABS
Motor	Sprintjet Brushed Motor (PRB18036)
ESC	3-in-1 2.4 GHz Receiver/ESC (HRZ00005)
Servo	Mini Servo, WP (PRB18033)



Recommended Tools and Materials

- Needle nose pliers
- Paper towel
- Rubbing alcohol
- Phillips screwdriver: #1
- Hex wrench: 1.5mm, 2mm (DYNT0502)
- Marine Grease & Gun (DYNE4200)

Table of Contents

Safety Precautions and Warnings	2
Water-Resistant Boat with Waterproof Electronics	2
General Precautions	2
Wet Conditions Maintenance	3
Specifications	3
Recommended Tools and Materials	3
Box Contents	4
Placing the Decals	4
Installing the Battery Pack	4
Charging Warnings	5
Charging the Battery	5
Low Voltage Cutoff (LVC)	5
Transmitter	6
Adjusting the Dual Rates	7
Getting Started	7
Control Check	7
Testing Your Boat in Water	8
Boating Tips	8

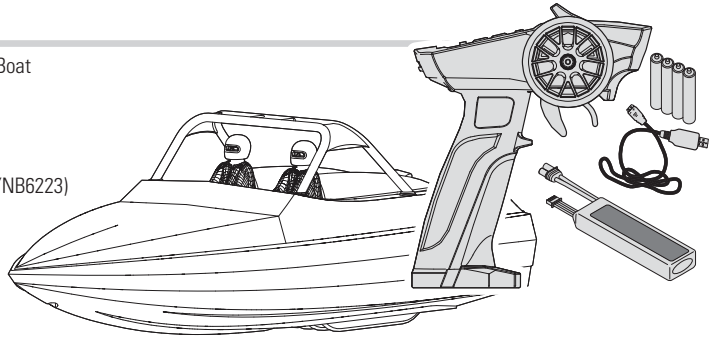
Product Inspection

Carefully remove the boat and radio transmitter from the box. Inspect the boat for damage. If your product is damaged, please contact the hobby shop where you purchased your boat, or contact Product Support. Refer to the Warranty and Service Contact Information section for more info.

Self-Righting	8
When You Are Finished	9
After Boating and Maintenance	9
Drivetrain Lubrication	10
Troubleshooting Guide	11
Limited Warranty	12
Warranty and Service Contact Information	13
FCC and IC Information	13
EU Compliance Statement	13
Instructions for Disposal of WEEE	13
Replacement Parts	50
Recommended Parts	50
Optional Parts	50

Box Contents

- Pro Boat® Sprintjet™ 9-Inch RTR Self Righting Jet Boat
- Pro Boat® 2.4GHz Transmitter (HRZ00001)
- Pro Boat® 3-in-1 ESC/Receiver (HRZ00005)
- Pro Boat® Servo (PRB18033)
- Dynamite® 7.4V 600mAh 2S 20C Li-Po Battery (DYNB6223)
- USB Charger (PRB18019)

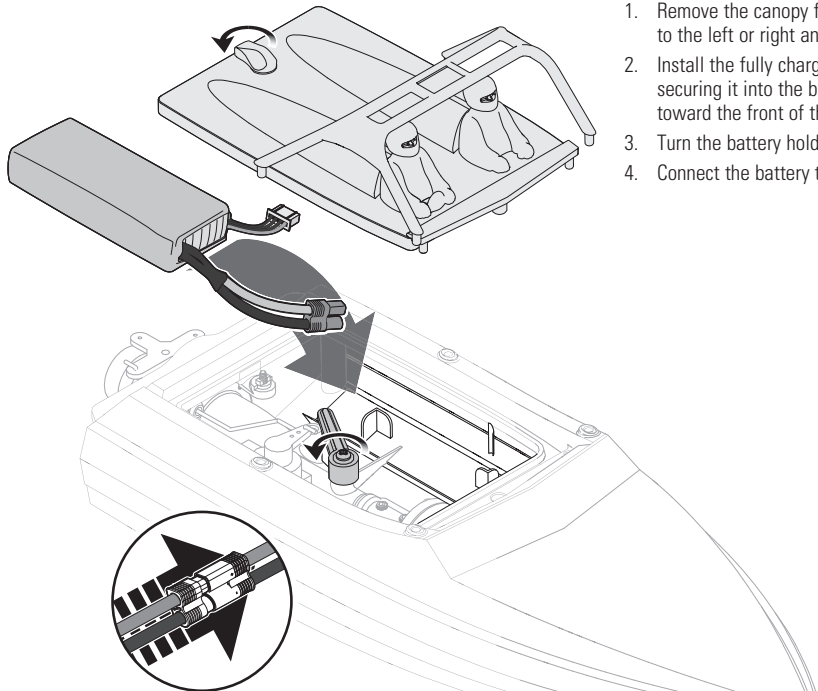


Placing the Decals

Apply the Sprintjet decals according to the diagram.



Installing the Battery Pack



1. Remove the canopy from the hull by rotating the canopy latch to the left or right and pulling up on the back of the canopy.
2. Install the fully charged battery in the compartment by securing it into the battery cradle with the battery cable toward the front of the boat.
3. Turn the battery hold down arm to secure the battery in place.
4. Connect the battery to the ESC/Receiver.

Charging Warnings



CAUTION: All instructions and warnings must be followed exactly. Mishandling of Li-Po batteries can result in a fire, personal injury and/or property damage.

- **NEVER LEAVE CHARGING BATTERIES UNATTENDED.**
- **NEVER CHARGE BATTERIES OVERNIGHT.**
- By handling, charging or using the included Li-Po battery, you assume all risks associated with lithium batteries.
- If at any time the battery begins to balloon or swell, discontinue use immediately. If charging or discharging, discontinue and disconnect. Continuing to use, charge or discharge a battery that is ballooning or swelling can result in fire.
- Always store the battery at room temperature in a dry area for best results.
- Always transport or temporarily store the battery in a temperature range of 40–120° F (5–49° C).
- Do not store battery or model in a car or direct sunlight. If stored in a hot car, the battery can be damaged or even catch fire.

- Always charge batteries away from flammable materials.
- Always inspect the battery before charging.
- Always disconnect the battery after charging, and let the charger cool between charges.
- Always constantly monitor the temperature of the battery pack while charging.
- **ONLY USE A CHARGER SPECIFICALLY DESIGNED TO CHARGE LI-PO BATTERIES.** Failure to charge the battery with a compatible charger may cause a fire resulting in personal injury and/or property damage.
- Never discharge Li-Po cells to below 3V under load.
- Never cover warning labels with hook and loop strips.
- Never charge batteries outside recommended levels.
- Never charge damaged batteries.
- Never attempt to dismantle or alter the charger.
- Never allow minors to charge battery packs.
- Never charge batteries in extremely hot or cold places (recommended between 40–120° F or [5–49° C]) or place in direct sunlight.

Charging the Battery

NOTICE: Charge only batteries that are cool to the touch and are not damaged. Inspect the battery to make sure it is not damaged e.g., swollen, bent, broken or punctured.



CAUTION: Only use chargers specifically designed to charge the included Li-Po battery. Failure to do so could result in fire, causing injury or property damage.



CAUTION: Never exceed the recommended charge rate.

Use only the included USB charger to charge the battery.

1. Connect the charger to a suitable USB power port. The charger will work with most 5V mobile power sources or smartphone chargers with at least 1 amp of power output.

NOTICE: Charging the battery with a USB power port with less than 1 amp of power output can produce heat.

2. Connect the charge lead to the battery, noting correct polarity. Charging a fully discharged battery takes approximately 60–90 minutes. Charge times may vary depending on the power source.

3. Remove the battery from the charger when the charging cycle is complete.
4. Remove the charger from the power supply.



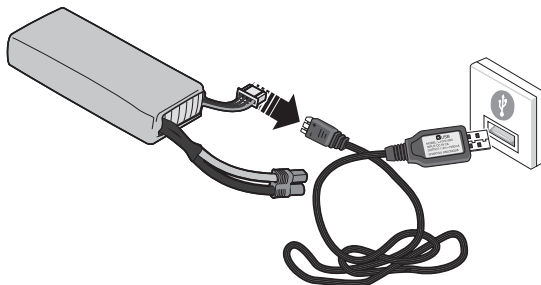
CAUTION: Once charging is complete, immediately remove the battery. Never leave a battery connected to the charger.

Charger LED Indications

GREEN, flashing = Charging

RED, solid = Stand by

GREEN, solid = Charging complete



Low Voltage Cutoff (LVC)

Discharging a Li-Po battery below 3V per cell may damage the battery. The included ESC protects the boat battery from over-discharge using Low Voltage Cutoff (LVC). Before the battery charge decreases too much, LVC removes power supplied to the motor.

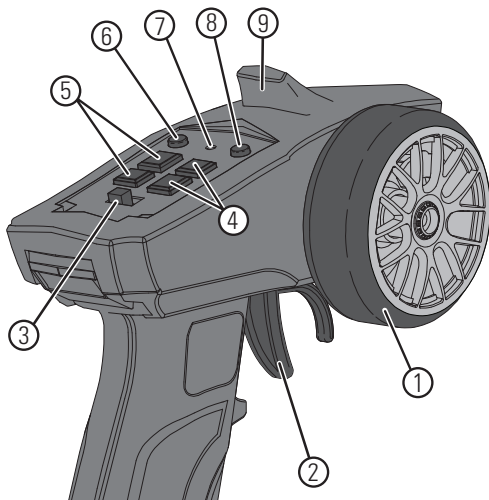
Power to the motor will be reduced significantly, showing that the battery has reached the minimum LVC threshold. The ESC is programmed to allow enough battery power to return to shore, at no more than ¼ throttle.

Disconnect and remove the Li-Po battery from the boat after use to prevent trickle discharge. Charge your Li-Po battery to about half capacity before storage. During storage, make sure the battery charge does not fall below 3V per cell. LVC does not prevent the battery from over-discharge during storage.

NOTICE: Repeated operation to LVC will damage the battery.

Tip: Monitor your boat battery's voltage before and after boating by using a Li-Po Cell Voltage Checker (EFLA111, sold separately).

Transmitter



1. **Steering Wheel** Controls direction (left/right) of the model
2. **Throttle Trigger** Controls speed and direction (forward/brake/reverse) of the model
3. **ON/OFF Switch** Turns the power ON/OFF
4. **TH DR/TH Trim** Adjusts the throttle trim end points
5. **ST DR/ST Trim** Adjusts the steering trim end points
6. **CH 3**
7. **Indicator Lights**
 - **Solid red light**—Indicates radio connectivity and adequate battery power
 - **Flashing blue light**—Indicates the battery voltage is critically low. Replace batteries
8. **REV** Reverses the function of the steering when the wheel is turned left or right
9. **Antenna** Transmits the signal to the model

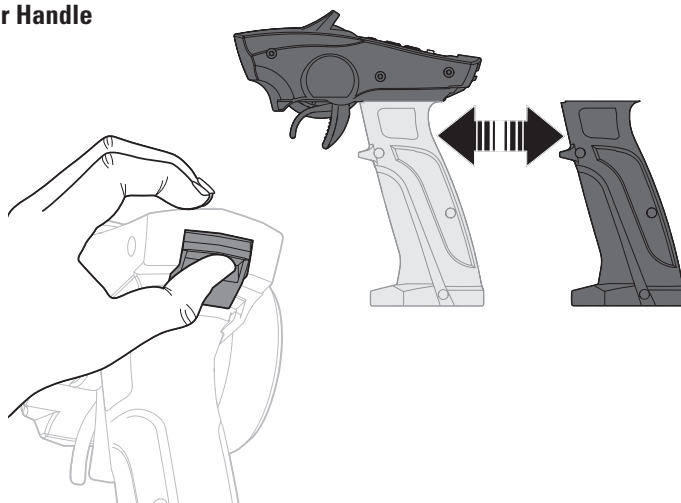
Assembling and Disassembling Transmitter Handle

Assemble

1. On the top transmitter portion, press the rear button.
2. Slide the transmitter handle into the track.

Disassemble

1. On the top transmitter portion, press the rear button.
2. Slide the transmitter handle out of the track.



Installing Transmitter Batteries

This transmitter requires 4 AAA batteries.

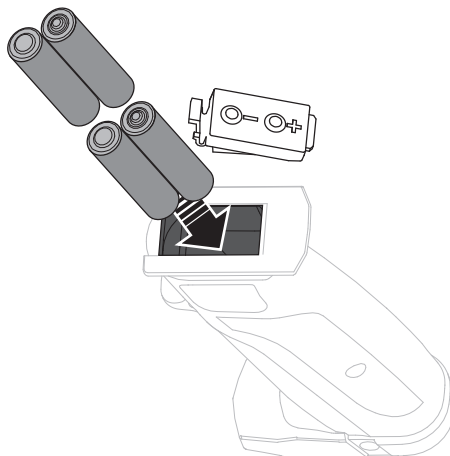
1. Remove the battery cover from the transmitter.
2. Install the batteries as shown.
3. Install the battery cover.



CAUTION: If using rechargeable batteries, charge only rechargeable batteries. Charging non-rechargeable batteries may cause the batteries to burst, resulting in injury to persons and/or damage to property.



CAUTION: Risk of explosion if battery is replaced by an incorrect type. Dispose of used batteries according to national regulations.

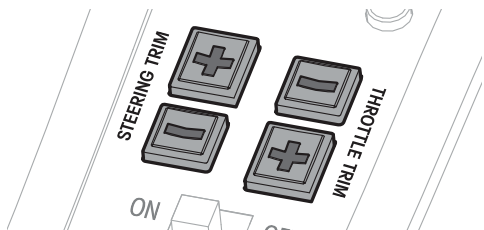


Adjusting the Dual Rates

The transmitter allows you to adjust steering and throttle dual rates.

Steering Dual Rate:

1. Power ON the transmitter.
2. Power ON the boat.
3. Apply either the left or right steering input on the transmitter and hold that position.
4. To add or remove steering throw input, hold the steering input button and press the (+) or (-) ST DR button.



Throttle Dual Rate:

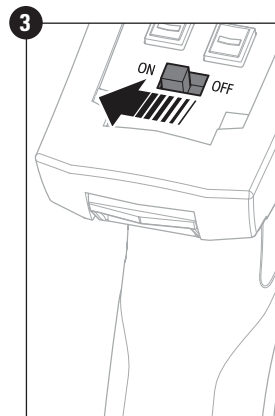
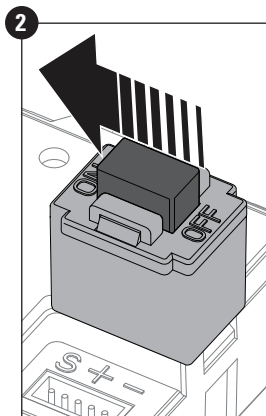
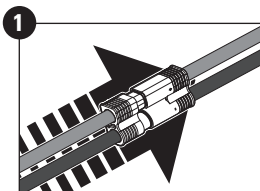
1. Turn ON transmitter.
2. Turn ON the boat.
3. Apply either forward or reverse throttle input on the transmitter and hold that position.
4. To add or remove throttle input, hold the steering input button and press the (+) or (-) ST DR button.

NOTICE: Adjusting the throttle input will negatively affect the self righting feature as it relies on the motor RPM.

NOTICE: Do not adjust the throttle dual rate while the boat is powered on and resting on a stand. Adjusting the throttle dual rate may power the motor, which could cause damage to property or personal injury.

Getting Started

1. Connect the battery to the ESC.
2. Power on the ESC switch.
3. Power on the transmitter.

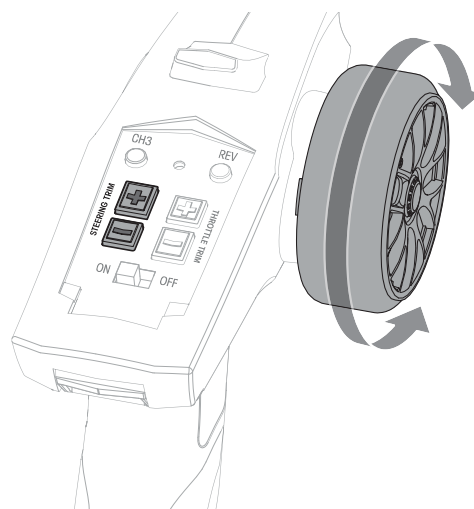


Control Check

IMPORTANT: Perform a control check at the beginning of each boating session, after repair or after installation of a new battery.

Ensure that the battery is fully charged.

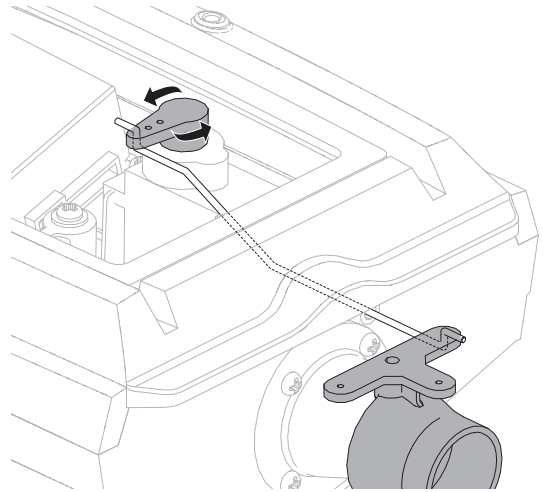
1. With the transmitter and boat powered ON, place the boat on the boat stand.
2. Turn the transmitter STEERING WHEEL to the LEFT and to the RIGHT to verify the jet nozzle is in sync with the steering input.
3. Pull the THROTTLE TRIGGER. The coupler should rotate to the left. Air will flow from the jet nozzle.



Testing Your Boat in the Water

1. Carefully place the boat in the water.
2. If the boat does not go straight, adjust the steering trim dial on the transmitter.
3. Retrieve the boat when it begins to lose speed.
4. Power off the receiver and disconnect the battery.

NOTICE: Always power OFF the receiver before powering OFF the transmitter. If the transmitter is powered OFF before the boat, the receiver will enter failsafe mode.



Boating Tips

This boat is intended for use in pools or small ponds but can be used in any body of water.

- Follow **Self-Righting** instructions if your boat flips.
- Apply a small burst of throttle if your boat has air in the jet pump. The boat will start moving under its own power once the pump is full of water.
- Do not run your boat in water full of people.

WARNING: The boat can cause bodily harm if it comes in contact with a person's body or hair.

- Do not run your boat directly in to the side of a tile-lined pool.
- Do not run your boat in a pond with floating debris or tall grass.

Unlike ruddered steerable boats, jet boats must have power applied to the motors in order for the boat to turn. When making turns, decrease the throttle to reduce the probability of flipping the boat over. The boat will not steer when coasting off power.

Self-Righting

If the boat turns over, release the throttle to stop the motor. Return the boat to upright by applying a short throttle burst.

The boat sitting in the water normally leans to the battery side. Apply throttle to level the boat. No weight adjustment is necessary.

IMPORTANT: The included weighted motor coupler aids self-righting after the boat has flipped and full throttle is applied. This coupler is intended for use with the included battery or other batteries with a 4000mAh maximum capacity.

To self-right the boat in calm water:

1. Apply a burst of reverse.
2. Continuously apply a burst of full throttle until the boat rocks and rights itself.

To self-right the boat in rough water:

1. Release the throttle.
2. Apply a burst of forward, reverse and forward throttle. The boat should rock and right itself.

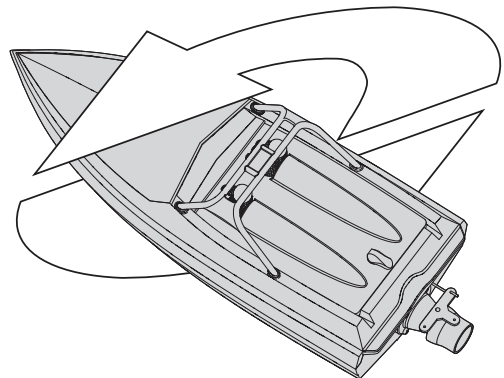
Never operate your boat in less than 3 inches (7.6 cm) of water.

CAUTION: Running your boat in shallow water increases the chance of debris entering the jet pump. Verify that the jet pumps are free of debris, as operating the boat with a blocked jet drive for a prolonged period will damage the motor and ESC.

CAUTION: Never operate your boat in extreme temperatures or turbulent water.

WARNING: Never attempt to retrieve a downed boat by swimming unless you are sufficiently trained and/or there is another person available to respond in the case of an emergency.

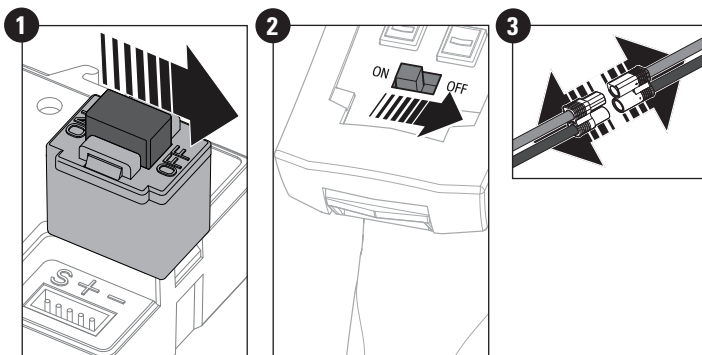
Tip: The boat may not self right in extremely rough water. Proceed to calmer water and follow the self-righting steps.



When You Are Finished

1. Power off the boat.
2. Power off the transmitter.
3. Disconnect and remove the battery from the boat.

Tip: Always remove the canopy before storage or moisture may allow mold and mildew to grow in the boat.



After Boating and Maintenance

- Fully dry the inside and outside of the boat.
- Remove the hatch before storing your boat.
- Repair any damage or wear to the boat.
- Lubricate the driveshaft using ProBoat Marine Grease (DYNE4200).
- Make note of lessons learned from the trimming of your boat, including water and wind conditions.

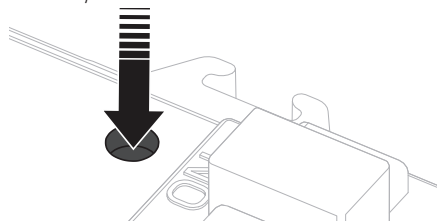
NOTICE: When you are finished boating, never leave the boat in direct sunlight or in a hot, enclosed area such as a car. Doing so can damage the boat.

Binding

Binding is the process of programming the receiver to recognize the GUID (Globally Unique Identifier) code of a single specific transmitter.

The transmitter and receiver are bound at the factory. If you need to rebind, follow the instructions below:

1. Connect a fully charged battery to the receiver.
2. Insert a pin into the BIND port of the receiver and remove it immediately.



3. Power on the receiver. The receiver LED flashes, indicating the receiver is in bind mode.
4. Power ON the transmitter. The receiver LED goes solid.
5. Remove the pin from the BIND port of the receiver.
6. Power OFF the receiver to save the settings.
7. Power OFF the transmitter.

You must rebind when:

- When you want different failsafe positions (e.g. when throttle or steering reverse has been changed).
- Binding the receiver to a different transmitter.

NOTICE: Do not attempt to bind the transmitter and receiver if there are other compatible transmitters in bind mode within 400 feet. Doing so may result in unexpected binding.

Failsafe

In the unlikely event that the radio connection is lost during use, the receiver will drive the servos to their pre-programmed failsafe positions as set during BINDING.

If the receiver is powered on before powering on the transmitter, the receiver will enter this failsafe mode. When the transmitter is powered on, normal control is resumed.

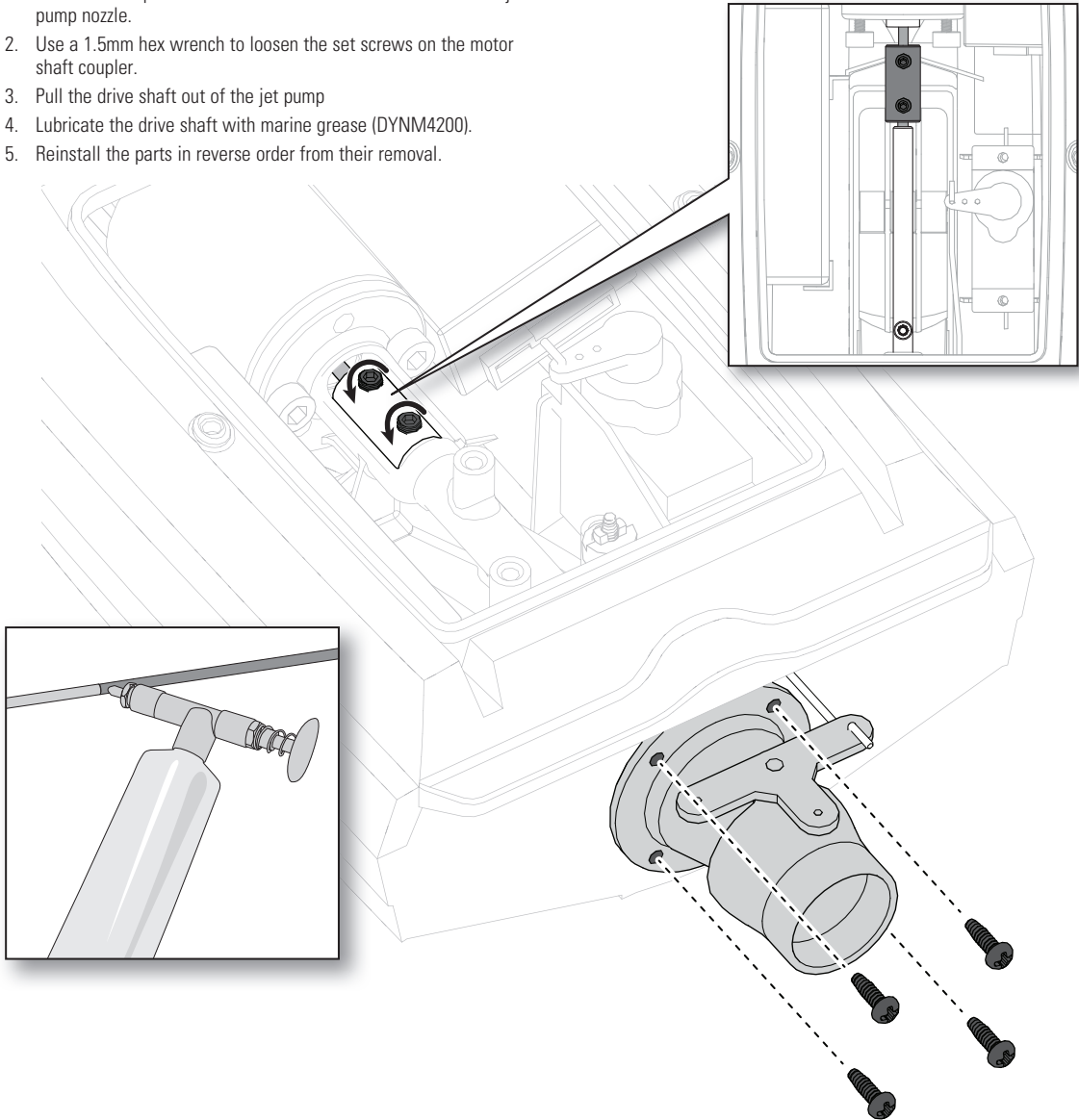
IMPORTANT: Failsafe activates only in the event that signal is lost from the transmitter. Failsafe will NOT activate in the event that receiver battery power decreases below the recommended minimums or power to the receiver is lost.

Motor Care

- Prolong motor life by preventing overheating conditions.
- Regularly lubricate (DYNE100) the bushings on each end of the motor and more frequently when the motor is wet. Failure to do so may cause the motor shaft to seize in the bushings.
- Use water displacement fluid to flush any water from the motor compartment.

Drivetrain Lubrication

1. Use a #1 Phillips screwdriver to remove the 4 screws from the jet pump nozzle.
2. Use a 1.5mm hex wrench to loosen the set screws on the motor shaft coupler.
3. Pull the drive shaft out of the jet pump
4. Lubricate the drive shaft with marine grease (DYNAM4200).
5. Reinstall the parts in reverse order from their removal.



Troubleshooting Guide

Problem	Possible Cause	Solution
Boat will not respond to throttle but responds to other controls	Wet motor causes bushings to seize	Remove motor and apply penetrating oil to both ends of the motor. Rotate the motor shaft by hand to break the corrosive bond between the motor shaft and the bushings
	Debris blocking a jet pump	Remove the jet pump nozzle, remove debris and verify that nothing prevents the propeller from turning
Extra noise or extra vibration	Damaged propeller, shaft or motor	Replace damaged parts
	Propeller is out of balance	Balance or replace propeller
Reduced runtime or boat underpowered	Boat battery charge is low	Completely recharge battery
	Boat battery is damaged	Replace boat battery and follow battery instructions
	Blocking or friction on shaft or propeller	Disassemble, lubricate and correctly align parts
	Boat conditions may be too cold	Make sure the battery is warm (above 10° C [50° F]) before use
	Battery capacity may be too low for conditions	Replace battery or use a larger capacity battery
	Too little lubrication on driveshaft	Fully lubricate driveshaft
Boat will not Bind (during binding) to transmitter	Vegetation or other obstacles block the propeller	Remove vegetation or obstacles from propeller
	Transmitter is too near boat during binding process	Move powered transmitter a few feet from boat, disconnect and reconnect battery to boat
	Boat or transmitter is too close to large metal object, wireless source or another transmitter	Move the boat and transmitter to another location and attempt binding again
	Another compatible transmitter is powered on within range of the receiver	Power off all compatible transmitters except the one you are trying to bind
	Boat battery/transmitter battery charge is too low	Replace/recharge batteries
Boat will not connect (after binding) to transmitter	ESC switch is off	Power on ESC switch
	Transmitter is too near boat during connecting process	Move powered transmitter a few feet from boat, disconnect and reconnect battery to boat
	Boat or transmitter is too close to large metal object, wireless source or another transmitter	Move boat or transmitter to another location and attempt to connect again
	Boat battery/transmitter battery charge is too low	Replace/recharge batteries
Boat tends to dive in the water or takes on water	ESC switch is off	Power on ESC switch
	The boat hull is not completely closed	Dry out the boat and ensure the hatch is fully closed on the hull before returning the boat to the water
Boat tends to turn one direction	Center of gravity is too far forward	Move battery back in the hull
	Debris is blocking a jet pump	Remove debris from the jet pump
Motor overheats	Bushings have seized	Lubricate motor bushings
Motor power pulses then motor loses power	Weather conditions might be too cold	Postpone until weather is warmer
	Battery is old, worn out or damaged	Replace battery

Limited Warranty

What this Warranty Covers

Horizon Hobby, LLC, (Horizon) warrants to the original purchaser that the product purchased (the "Product") will be free from defects in materials and workmanship for a period of 2 years from the date of purchase.

What is Not Covered

This warranty is not transferable and does not cover (i) cosmetic damage, (ii) damage due to acts of God, accident, misuse, abuse, negligence, commercial use, or due to improper use, installation, operation or maintenance, (iii) modification of or to any part of the Product, (iv) attempted service by anyone other than a Horizon Hobby authorized service center, (v) Product not purchased from an authorized Horizon dealer, or (vi) Product not compliant with applicable technical regulations or (vii) use that violates any applicable laws, rules, or regulations.

OTHER THAN THE EXPRESS WARRANTY ABOVE, HORIZON MAKES NO OTHER WARRANTY OR REPRESENTATION, AND HEREBY DISCLAIMS ANY AND ALL IMPLIED WARRANTIES, INCLUDING, WITHOUT LIMITATION, THE IMPLIED WARRANTIES OF NON-INFRINGEMENT, MERCHANTABILITY AND FITNESS FOR A PARTICULAR PURPOSE. THE PURCHASER ACKNOWLEDGES THAT THEY ALONE HAVE DETERMINED THAT THE PRODUCT WILL SUITABLY MEET THE REQUIREMENTS OF THE PURCHASER'S INTENDED USE.

Purchaser's Remedy

Horizon's sole obligation and purchaser's sole and exclusive remedy shall be that Horizon will, at its option, either (i) service, or (ii) replace, any Product determined by Horizon to be defective. Horizon reserves the right to inspect any and all Product(s) involved in a warranty claim. Service or replacement decisions are at the sole discretion of Horizon. Proof of purchase is required for all warranty claims. SERVICE OR REPLACEMENT AS PROVIDED UNDER THIS WARRANTY IS THE PURCHASER'S SOLE AND EXCLUSIVE REMEDY.

Limitation of Liability

HORIZON SHALL NOT BE LIABLE FOR SPECIAL, INDIRECT, INCIDENTAL OR CONSEQUENTIAL DAMAGES, LOSS OF PROFITS OR PRODUCTION OR COMMERCIAL LOSS IN ANY WAY, REGARDLESS OF WHETHER SUCH CLAIM IS BASED IN CONTRACT, WARRANTY, TORT, NEGLIGENCE, STRICT LIABILITY OR ANY OTHER THEORY OF LIABILITY, EVEN IF HORIZON HAS BEEN ADVISED OF THE POSSIBILITY OF SUCH DAMAGES. Further, in no event shall the liability of Horizon exceed the individual price of the Product on which liability is asserted. As Horizon has no control over use, setup, final assembly, modification or misuse, no liability shall be assumed nor accepted for any resulting damage or injury. By the act of use, setup or assembly, the user accepts all resulting liability. If you as the purchaser or user are not prepared to accept the liability associated with the use of the Product, purchaser is advised to return the Product immediately in new and unused condition to the place of purchase.

Law

These terms are governed by Illinois law (without regard to conflict of law principals). This warranty gives you specific legal rights, and you may also have other rights which vary from state to state. Horizon reserves the right to change or modify this warranty at any time without notice.

WARRANTY SERVICES

Questions, Assistance, and Services

Your local hobby store and/or place of purchase cannot provide warranty support or service. Once assembly, setup or use of the Product has been started, you must contact your local distributor or Horizon directly. This will enable Horizon to better answer your questions and service you in the event

that you may need any assistance. For questions or assistance, please visit our website at www.horizonhobby.com, submit a Product Support Inquiry, or call the toll free telephone number referenced in the Warranty and Service Contact Information section to speak with a Product Support representative.

Inspection or Services

If this Product needs to be inspected or serviced and is compliant in the country you live and use the Product in, please use the Horizon Online Service Request submission process found on our website or call Horizon to obtain a Return Merchandise Authorization (RMA) number. Pack the Product securely using a shipping carton. Please note that original boxes may be included, but are not designed to withstand the rigors of shipping without additional protection. Ship via a carrier that provides tracking and insurance for lost or damaged parcels, as Horizon is not responsible for merchandise until it arrives and is accepted at our facility. An Online Service Request is available at http://www.horizonhobby.com/content/service-center_render-service-center. If you do not have internet access, please contact Horizon Product Support to obtain a RMA number along with instructions for submitting your product for service. When calling Horizon, you will be asked to provide your complete name, street address, email address and phone number where you can be reached during business hours. When sending product into Horizon, please include your RMA number, a list of the included items, and a brief summary of the problem. A copy of your original sales receipt must be included for warranty consideration. Be sure your name, address, and RMA number are clearly written on the outside of the shipping carton.

NOTICE: Do not ship Li-Po batteries to Horizon. If you have any issue with a Li-Po battery, please contact the appropriate Horizon Product Support office.

Warranty Requirements

For Warranty consideration, you must include your original sales receipt verifying the proof-of-purchase date. Provided warranty conditions have been met, your Product will be serviced or replaced free of charge. Service or replacement decisions are at the sole discretion of Horizon.

Non-Warranty Service

Should your service not be covered by warranty, service will be completed and payment will be required without notification or estimate of the expense unless the expense exceeds 50% of the retail purchase cost. By submitting the item for service you are agreeing to payment of the service without notification. Service estimates are available upon request. You must include this request with your item submitted for service. Non-warranty service estimates will be billed a minimum of ½ hour of labor. In addition you will be billed for return freight. Horizon accepts money orders and cashier's checks, as well as Visa, MasterCard, American Express, and Discover cards. By submitting any item to Horizon for service, you are agreeing to Horizon's Terms and Conditions found on our website http://www.horizonhobby.com/content/service-center_render-service-center.

ATTENTION: Horizon service is limited to Product compliant in the country of use and ownership. If received, a non-compliant Product will not be serviced. Further, the sender will be responsible for arranging return shipment of the un-serviced Product, through a carrier of the sender's choice and at the sender's expense. Horizon will hold non-compliant Product for a period of 60 days from notification, after which it will be discarded.

10/15

Warranty and Service Contact Information

Country of Purchase	Horizon Hobby	Contact Information	Address
United States of America	Horizon Service Center (Repairs and Repair Requests)	servicecenter.horizonhobby.com/RequestForm/	2904 Research Rd Champaign, Illinois, 61822 USA
	Horizon Product Support (Product Technical Assistance)	productsupport@horizonhobby.com 877-504-0233	
	Sales	websales@horizonhobby.com 888-338-4639	
European Union	Horizon Technischer Service	service@horizonhobby.eu	Hanskampring 9 D 22885 Barsbüttel, Germany
	Sales: Horizon Hobby GmbH	+49 (0) 4121 2655 100	

FCC Information

FCC ID: 2ARE7-91803

This device complies with part 15 of the FCC rules. Operation is subject to the following two conditions: (1) This device may not cause harmful interference, and (2) this device must accept any interference received, including interference that may cause undesired operation.



CAUTION: Changes or modifications not expressly approved by the party responsible for compliance could void the user's authority to operate the equipment.

This product contains a radio transmitter with wireless technology which has been tested and found to be compliant with the applicable regulations governing a radio transmitter in the 2.400GHz to 2.4835GHz frequency range.

Supplier's Declaration of Conformity

PRB Sprintjet Self Righting Jet Boat RTR (PRB08045)

FC This device complies with part 15 of the FCC Rules. Operation is subject to the following two conditions: (1) This device may not cause harmful interference, and (2) this device must accept any interference received, including interference that may cause undesired operation.



CAUTION: Changes or modifications not expressly approved by the party responsible for compliance could void the user's authority to operate the equipment.

NOTE: This equipment has been tested and found to comply with the limits for a Class B digital device, pursuant to part 15 of the FCC Rules. These limits are designed to provide reasonable protection against harmful interference in a residential installation. This equipment generates, uses and can radiate radio frequency energy and, if not installed and used in accordance with the instructions, may cause harmful interference to radio communications. However, there is no guarantee that interference will not occur in a particular installation. If this equipment does cause harmful interference to radio or television reception, which can be determined by turning the equipment off and on, the user is encouraged to try to correct the interference by one or more of the following measures:

- Reorient or relocate the receiving antenna.
- Increase the separation between the equipment and receiver.
- Connect the equipment into an outlet on a circuit different from that to which the receiver is connected.
- Consult the dealer or an experienced radio/TV technician for help.

Horizon Hobby, LLC
2904 Research Rd.
Champaign, IL 61822
Email: compliance@horizonhobby.com
Web: HorizonHobby.com

IC Information

IC: 20264-91803RX46

CAN ICES-3 (B)/NMB-3(B)

This device complies with Industry Canada licence-exempt RSS standard(s). Operation is subject to the following two conditions: (1) this device may not cause interference, (2) this device must accept any interference, including interference that may cause undesired operation of the device.

Compliance Information for the European Union



EU Compliance Statement: Horizon Hobby, LLC hereby declares that this product is in compliance with the essential requirements and other relevant provisions of the RED and EMC Directives.

A copy of the EU Declaration of Conformity is available online at: <http://www.horizonhobby.com/content/support-render-compliance>.



Instructions for Disposal of WEEE by Users in the European Union

This product must not be disposed of with other waste. Instead, it is the user's responsibility to dispose of their waste equipment by handing it over to a designated collection point for the recycling of waste electrical and electronic equipment. The separate collection and recycling of your waste equipment at the time of disposal will help to conserve natural resources and ensure that it is recycled in a manner that protects human health and the environment. For more information about where you can drop off your waste equipment for recycling, please contact your local city office, your household waste disposal service or where you purchased the product.

Replacement Parts / Ersatzteile / Pièces de rechange / Pezzi di ricambio

Part #	English	Deutsch	Français	Italiano
DYNB6223	7.4V 600mAh 2S 20C LiPo EC3	7,4 V 600 mA 2S 20C LiPo EC3	Batterie Li-Po 7,4 V 600 mAh 2S 20C EC3	7,4 V 600 mAh 2S 20C LiPo EC3
HRZ00001	2.4GHz Transmitter	2,4-GHz-Sender	Émetteur 2,4 GHz	Trasmittente 2,4 GHz
HRZ00005	3-in-1 ESC/Receiver	3-in-1-Geschwindigkeitsregler/ Empfänger	Récepteur/Variateur ESC 3 en 1	Ricevente / ESC 3-in-1
PRB18019	USB Charger	USB-Ladegerät	Chargeur USB	Caricatore USB
PRB18033	Servo: Jet Jam 12	Servo: Jet Jam 12	Servo : Jet Jam 12	Servo: Jet Jam 12
PRB18036	Brushed Motor: 9-inch Sprintjet	Bürstenmotor: Sprintjet 9-inch	Moteur à balais : Sprintjet 9-inch	Motore a spazzole: 9-inch Sprintjet
PRB18037	ESC/Receiver 2.4GHz: 9-inch Sprintjet	Geschwindigkeitsregler/ Empfänger 2,4 GHz: Sprintjet 9-inch	Variateur ESC/Récepteur 2,4 GHz : Sprintjet 9-inch	ESC/Ricevente 2,4 GHz: 9-inch Sprintjet
PRB282073	Motor Coupler: 9-inch Sprintjet	Motorkupplung: Sprintjet 9-inch	Coupleur du moteur : Sprintjet 9-inch	Accoppiamento motore: 9-inch Sprintjet
PRB282074	Propeller Shaft Stuffing Tube: 9-inch Sprintjet	Füllrohr Propellerwelle: Sprintjet 9-inch	Tube de remplissage de l'arbre de l'hélice : Sprintjet 9-inch	Tubo ingrassatore albero elica: 9-inch Sprintjet
PRB282075	Impeller: 9-inch Sprintjet	Lauftrad: Sprintjet 9-inch	Turbine : Sprintjet 9-inch	Girante: 9-inch Sprintjet
PRB282076	Jet Nozzle: 9-inch Sprintjet	Jetdüse: Sprintjet 9-inch	Tuyère : Sprintjet 9-inch	Ugello: 9-inch Sprintjet
PRB286068	Pushrod: 9-inch Sprintjet	Gestänge: Sprintjet 9-inch	Barre de liaison : Sprintjet 9-inch	Asta di comando: 9-inch Sprintjet

Recommended Parts / Empfohlene Teile / Pièces recommandées / Pezzi consigliati

Part #	English	Deutsch	Français	Italiano
DUB2155	Ball Wrench, Metric: 2.5mm	Sechskantschlüssel mit Kugelform, metrisch: 2,5 mm	Clé sphérique, métrique : 2,5 mm	Chiave a sfera: 2,5 mm
DYN2814	Hex Driver: 1.5mm	Sechskantschlüssel: 1,5mm	Clé à six pans : 1,5 mm	Cacciavite esagonale: 1,5 mm
DYN2828	Screwdriver: #1 Phillips	Schraubenzieher: Nr. 1-Kreuzschlitz	Tournevis : Phillips, n°1	Cacciavite: a croce #1
DYNE4200	Grease Gun w/ Marine Grease (5oz)	Fettpresse mit Marine Grease 142 g (5 oz)	Pistolet avec graisse marine 140g	Pistola sparagraso con grasso marino 5 oz
DYNT2071	Ball Wrench, Metric: 2.5mm	Sechskantschlüssel mit Kugelform, metrisch: 2,5 mm	Clé sphérique, métrique : 2,5 mm	Chiave a sfera: 2,5 mm

Optional Parts / Diverse Teile / Pièces optionnelles / Pezzi opzionali

Part #	English	Deutsch	Français	Italiano
DYNT0502	Start Up Tool Set: Proboat	Anfänger-Werkzeugsatz	Set d'outils de démarrage	Set attrezzi
EFLA111	LiPo Cell Voltage Checker	Li-Po-Zelle Spannungsprüfer	Testeur de tension d'élément Li-Po	Strumento controllo voltaggio batterie LiPo

60742

Created: 06/2019

©2019 Horizon Hobby LLC.

Pro Boat, the Pro Boat logo, Sprintjet, Dynamite and the Horizon Hobby logo are trademarks or registered trademarks of Horizon Hobby, LLC. The Spektrum trademark is used with permission of Bachmann Industries, Inc.

All other trademarks, service marks and logos are property of their respective owners.

Patents pending.