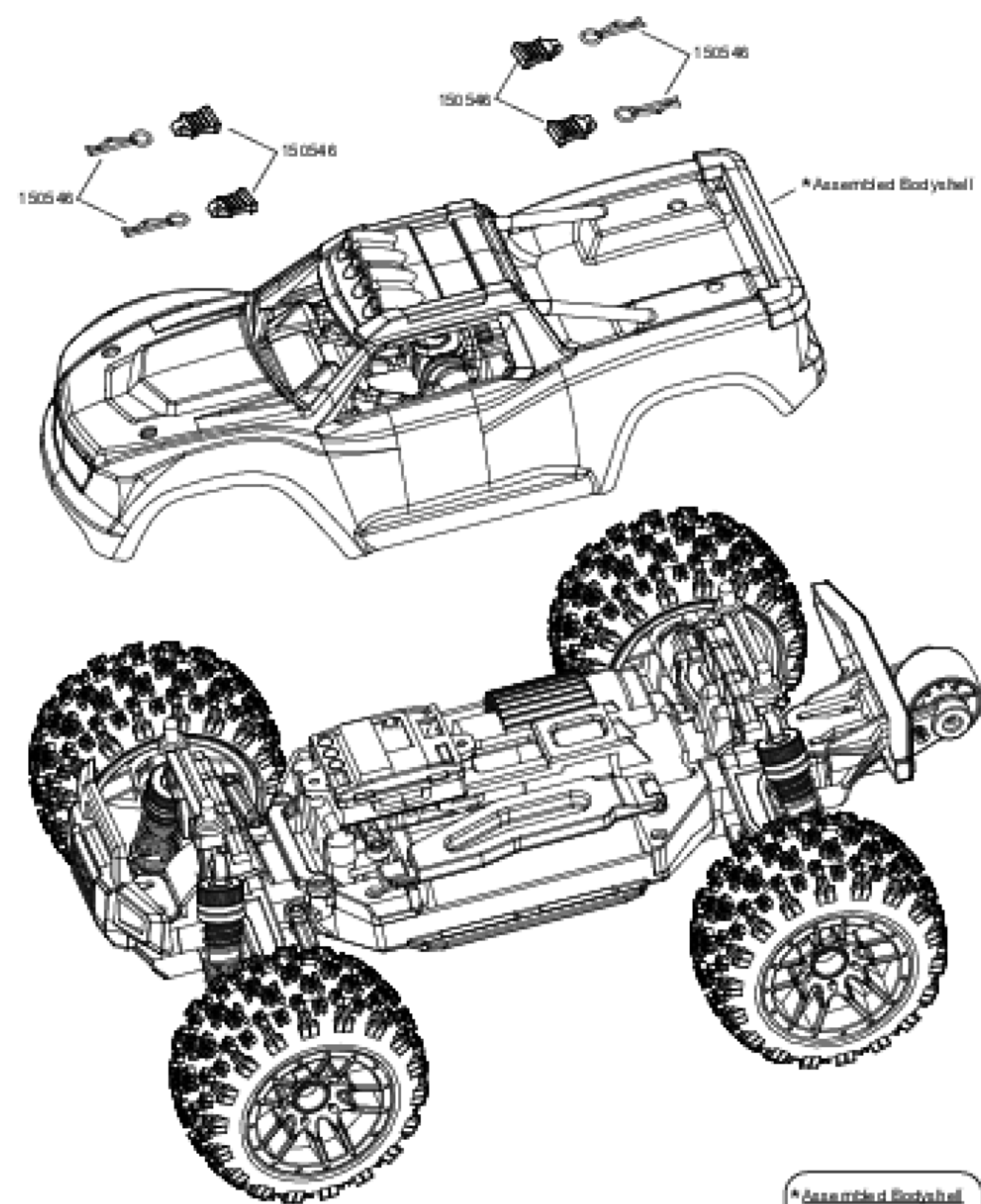
**150530 Hardware Set**

- ① Pan Head TP: Screw 2.6x6mm
- ② Pan Head TP: Screw 2.6x6mm
- ③ Step Screw 3x8mm
- ④ Flanged Screw 2.5x8mm
- ⑤ Flanged TP: Screw 2.3x6mm
- ⑥ Flat Head Screw 2.5x6mm
- ⑦ Flat Head TP: Screw 2.6x6mm
- ⑧ Pan Head TP: Screw 2.3x6mm
- ⑨ Flat Head TP: Screw 2.6x6mm
- ⑩ Pan Head TP: Screw 1.7x7mm
- ⑪ Flanged TP: Screw 2.6x6mm
- ⑫ Pan Head Screw 3x1.2mm
- ⑬ Pivot Ball Screw

*** Assembled Bodyshell**

- 150569: Blue
- 150570: Red
- 150571: Orange
- 150572: Green