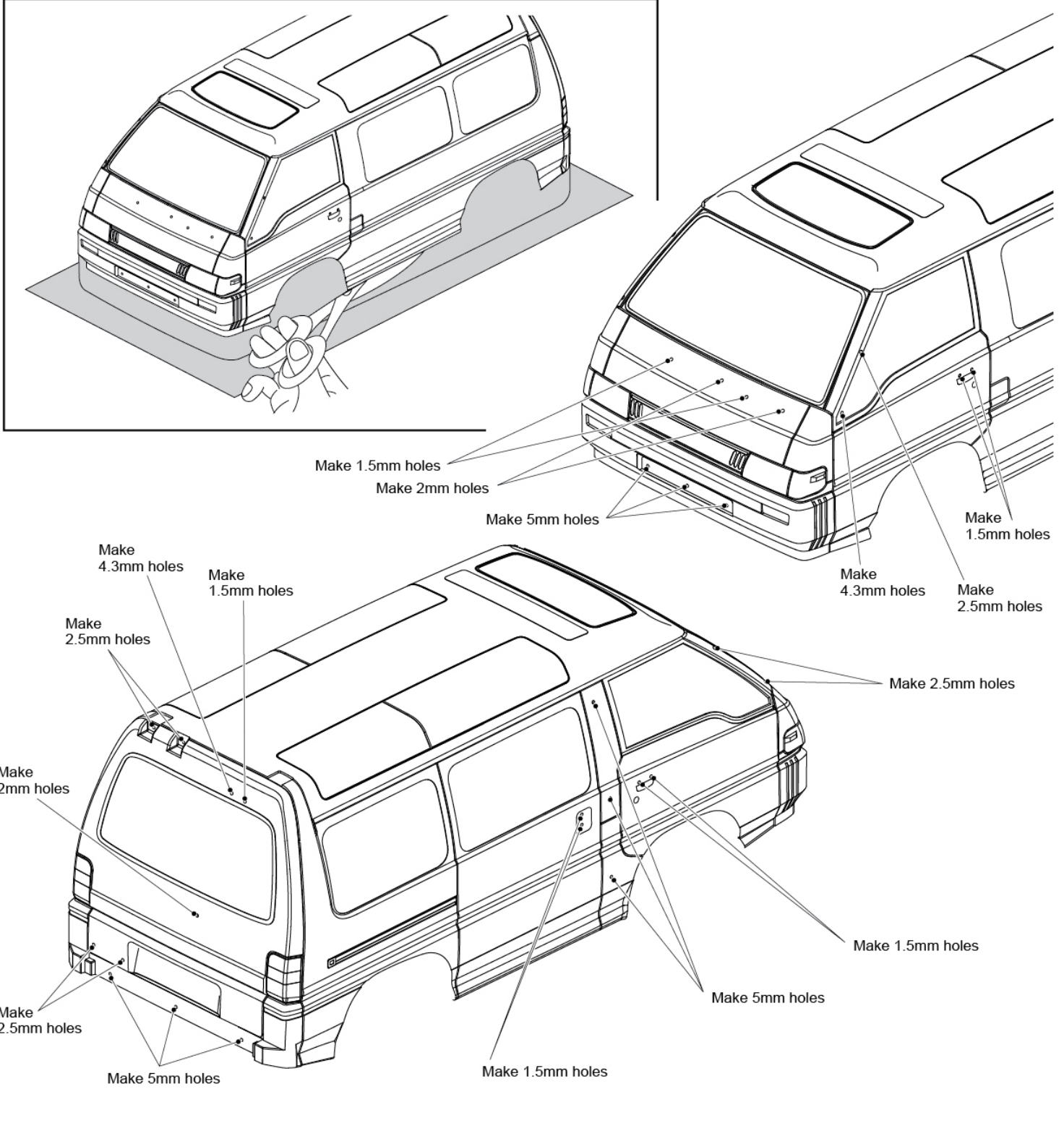


DL1 BODY

WHEELBASE : 242MM
FOR CMX / CFX SERIES

1

TRIMMING



2

WASH THE BODY

※ Wash the body thoroughly with detergent in order to remove oil completely rinse and place to air dry.

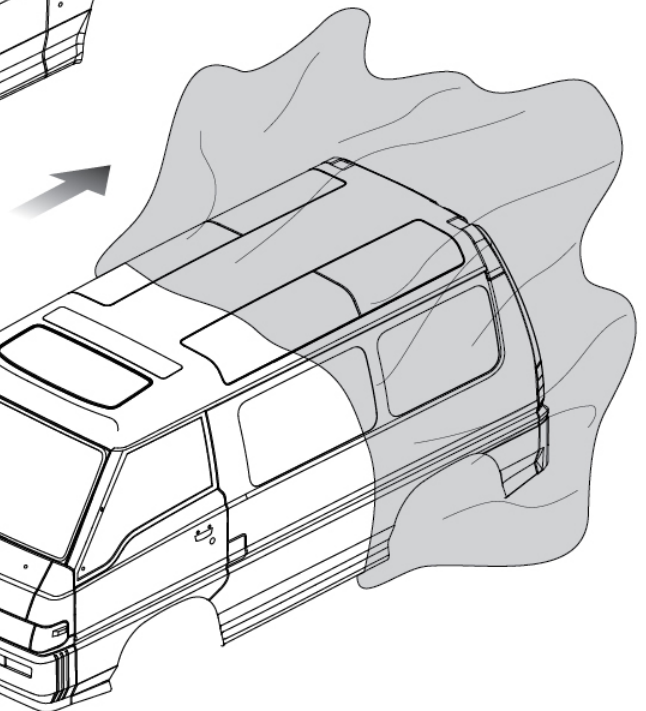
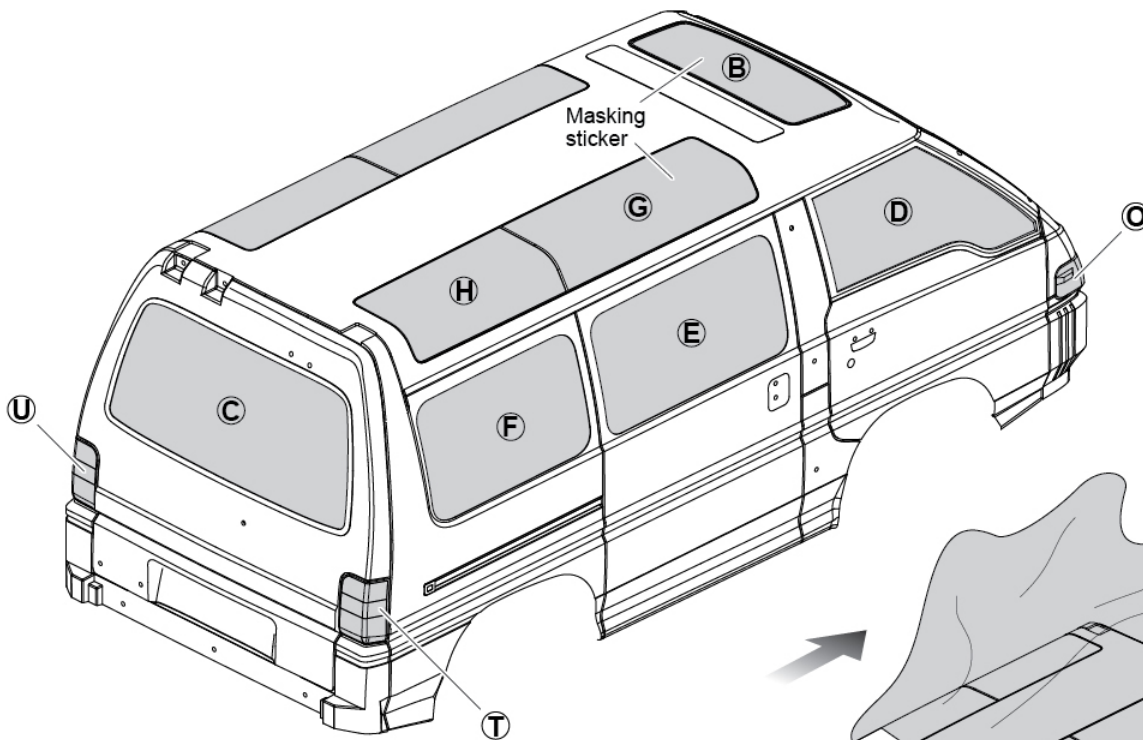
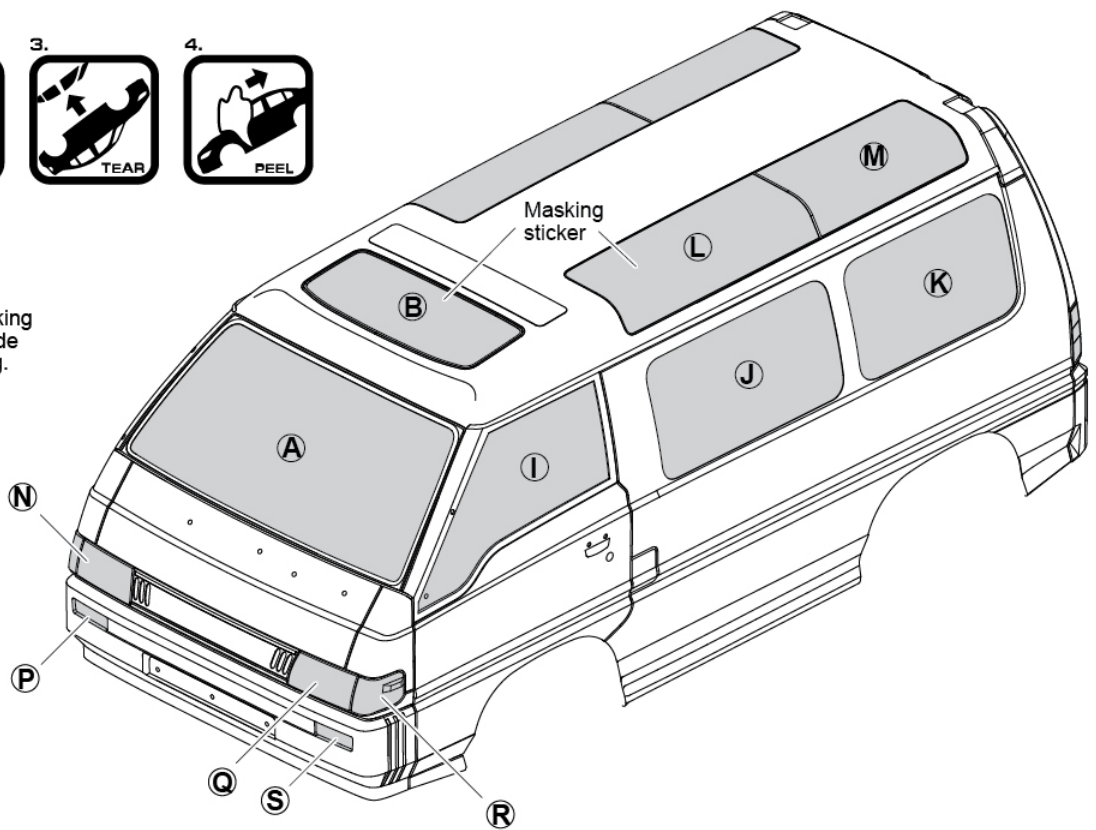


3

◀ MASKING AND PAINTING



※ Please apply the masking stickers to the car inside exactly before painting.



※ Remove the masking stickers after the finish of painting. Then remove the car outside protecting film before acting the next step.

4

MARKINGS

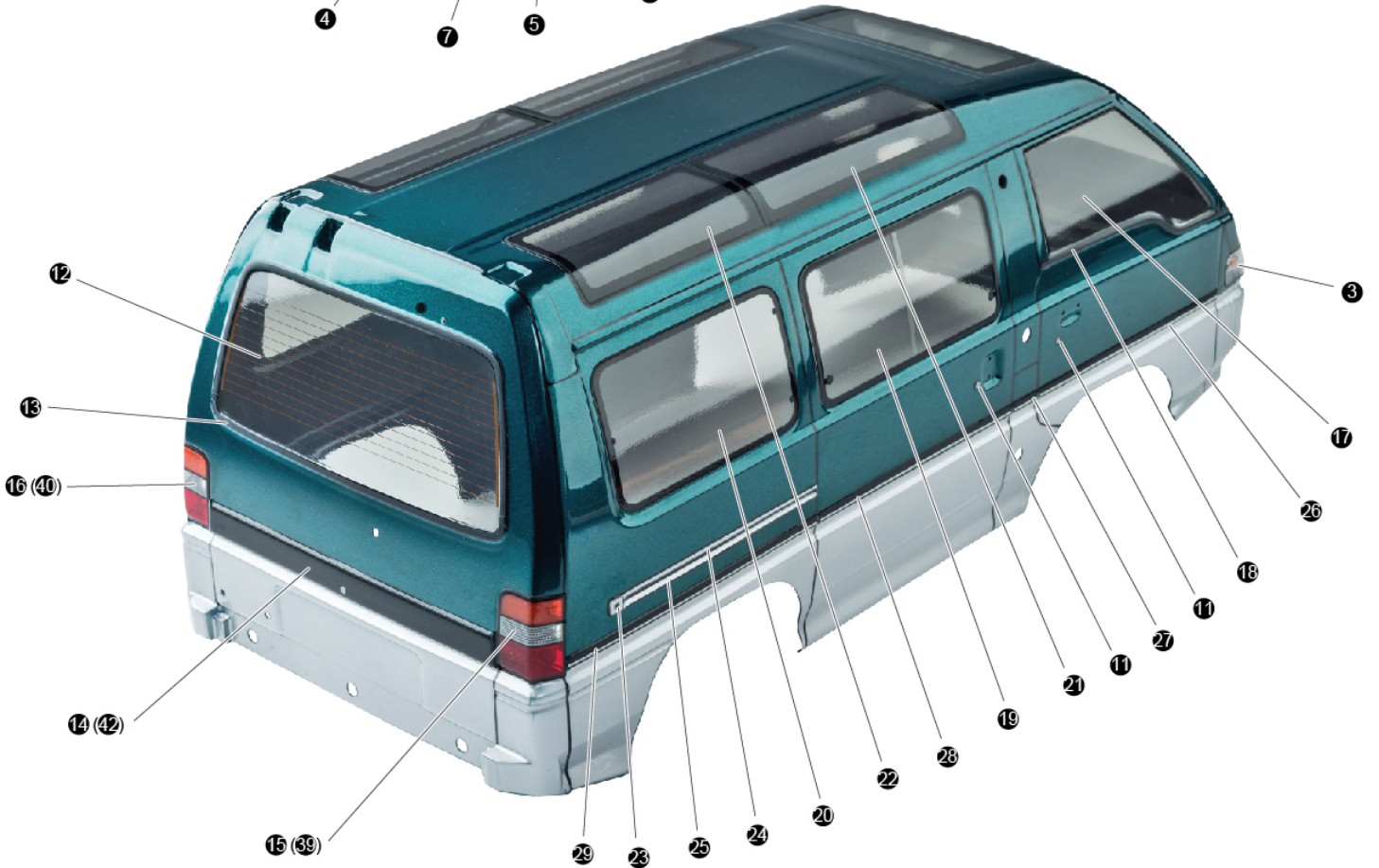
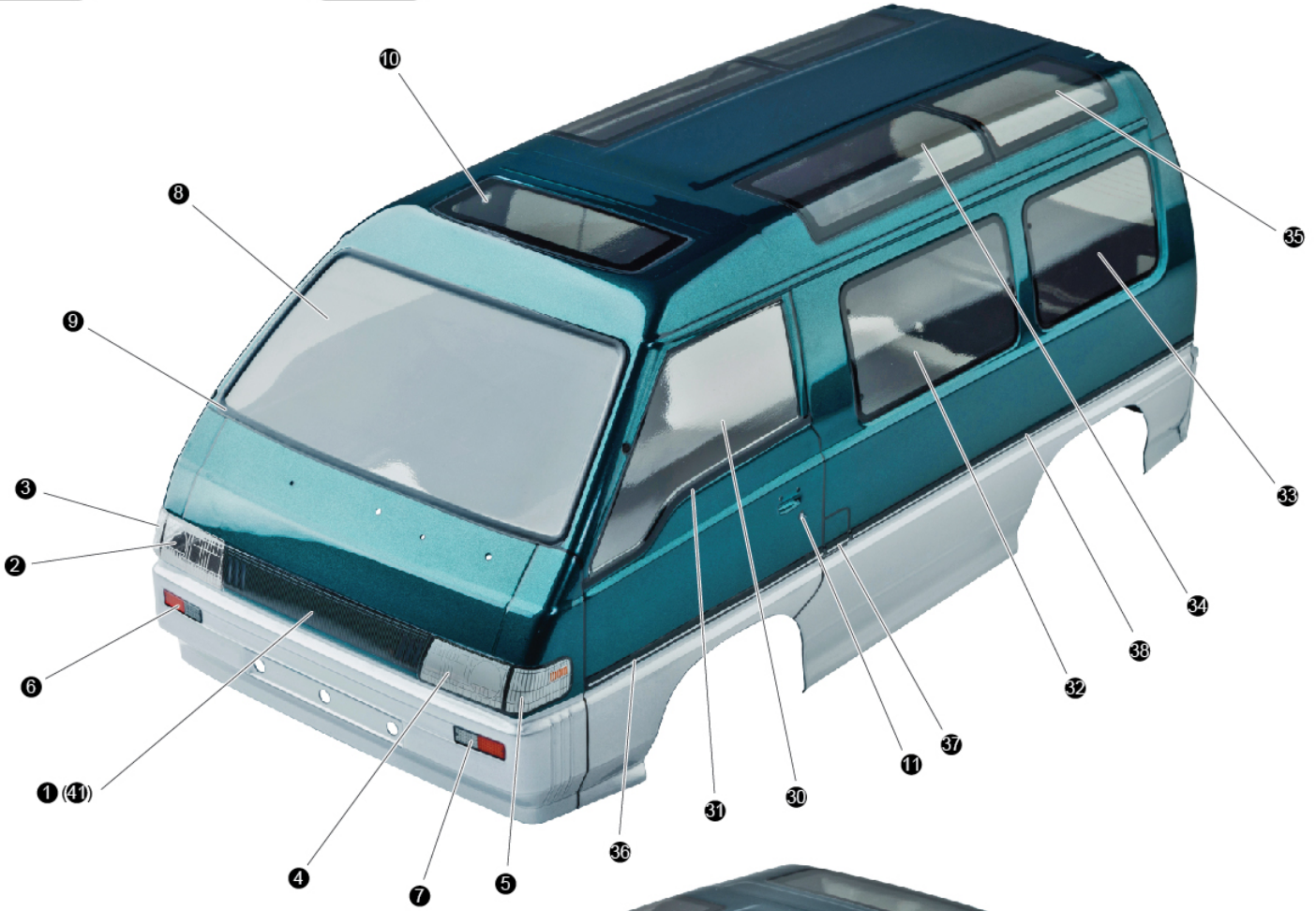


※ Please moisturize the sticker by the suds in advanced.



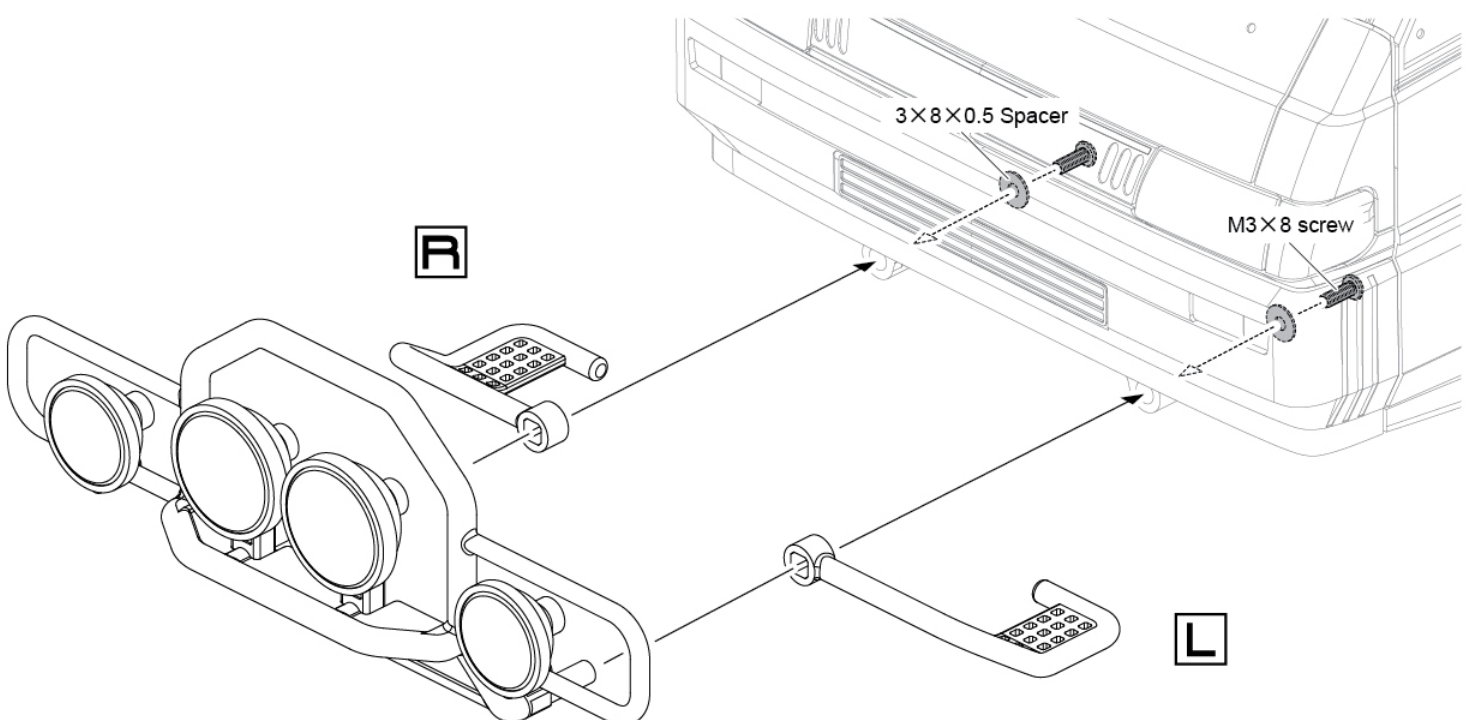
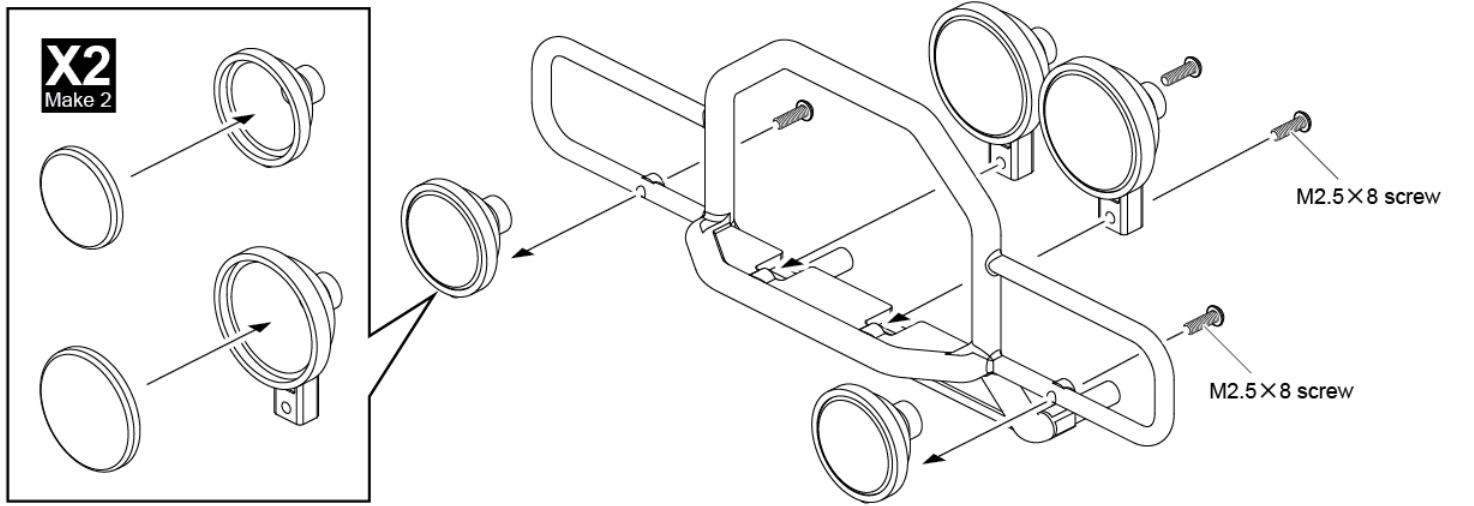
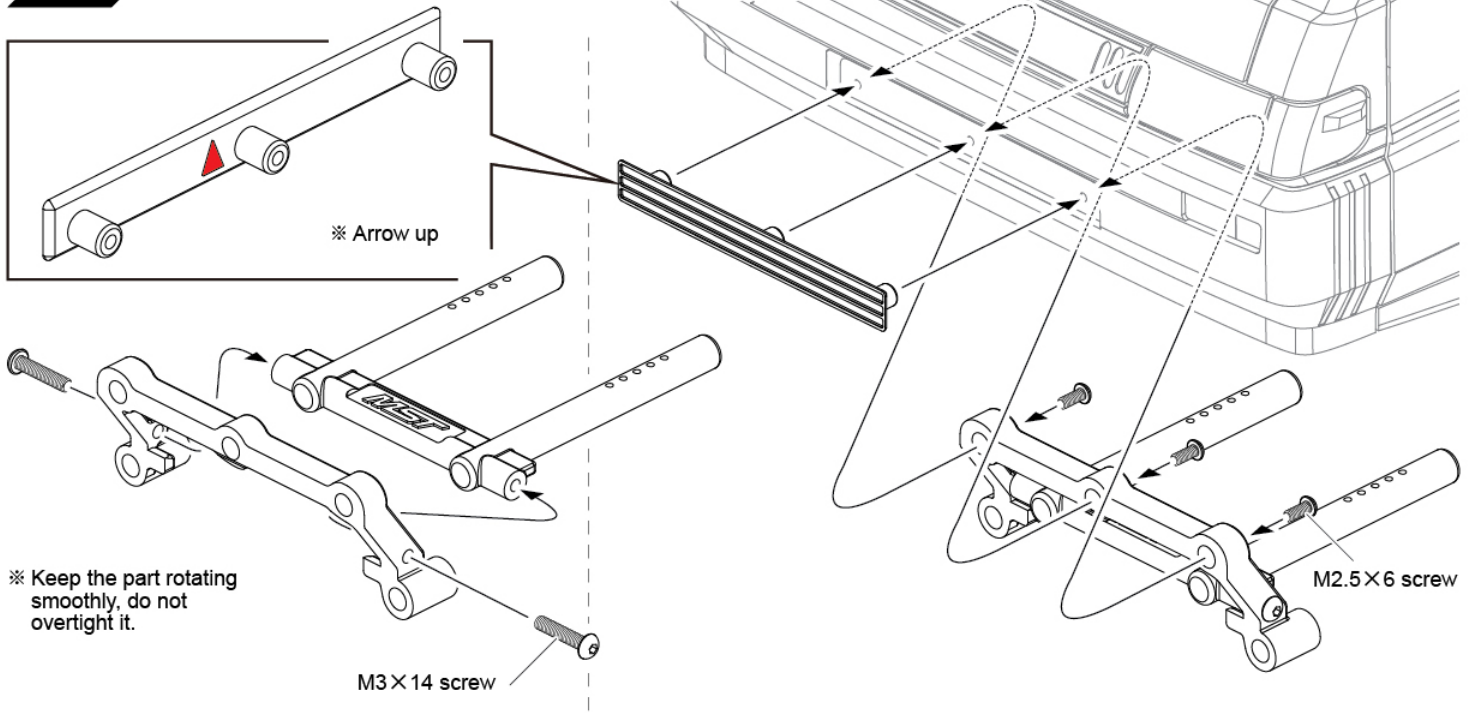
※ Then use a hair dryer for heating when sticking.

⚠ Apply stickers in numbered order.



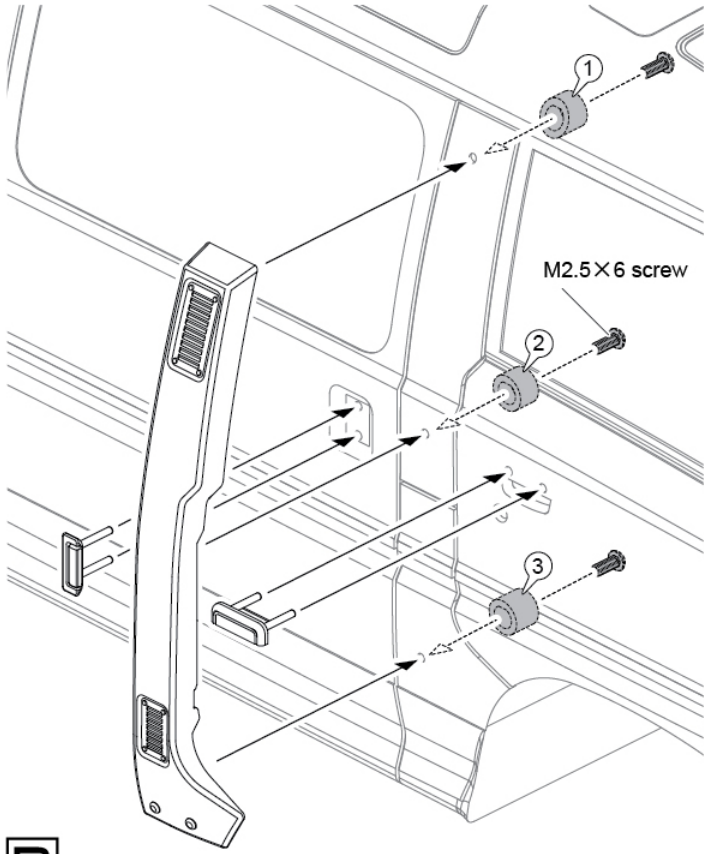
5

◀ MOUNTING ACCESSORIES

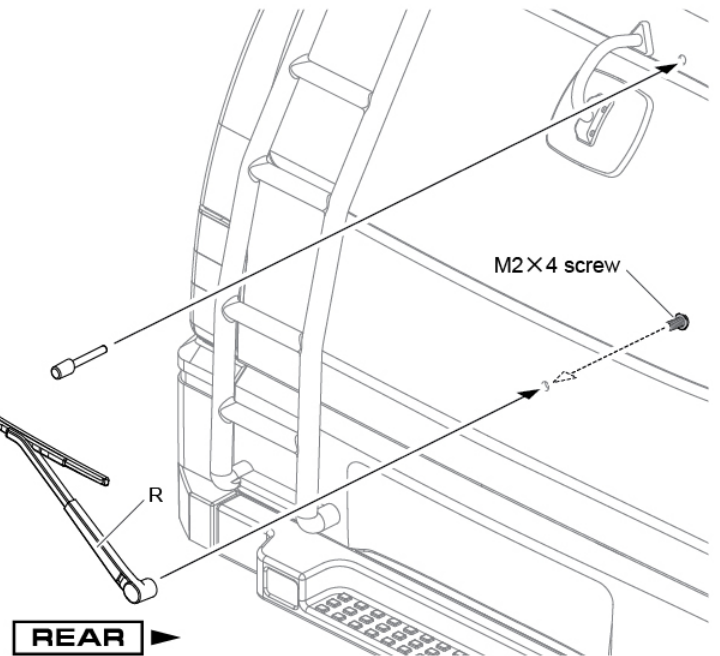
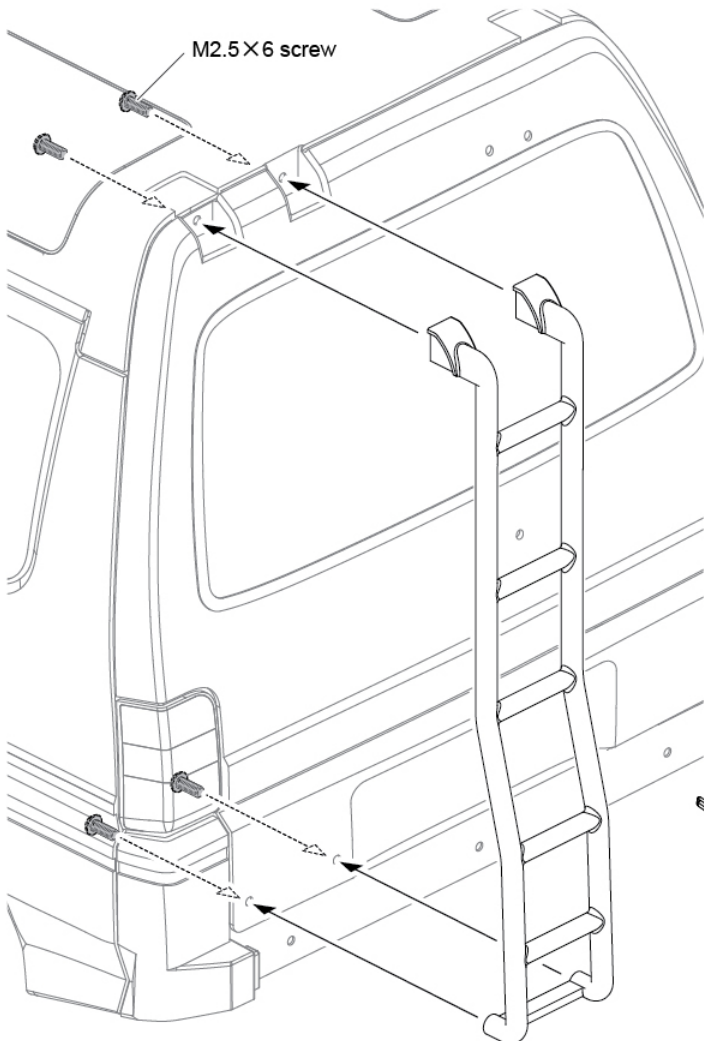
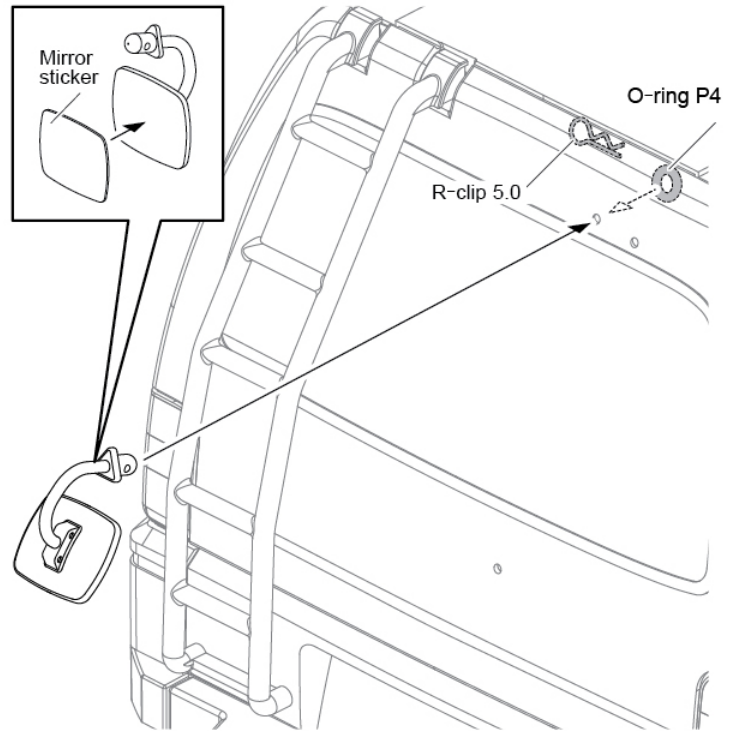
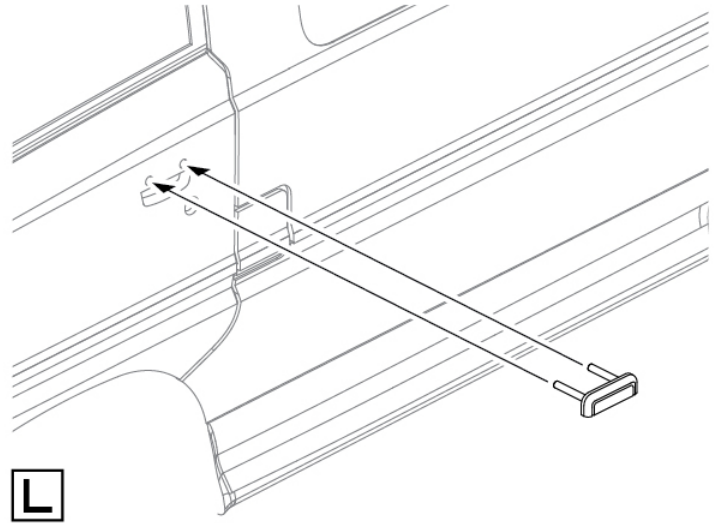


5

◀ MOUNTING ACCESSORIES

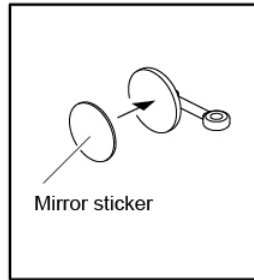
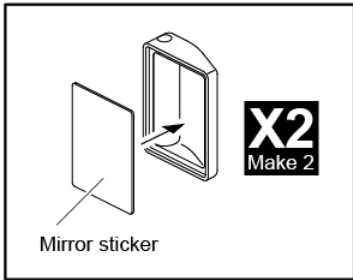
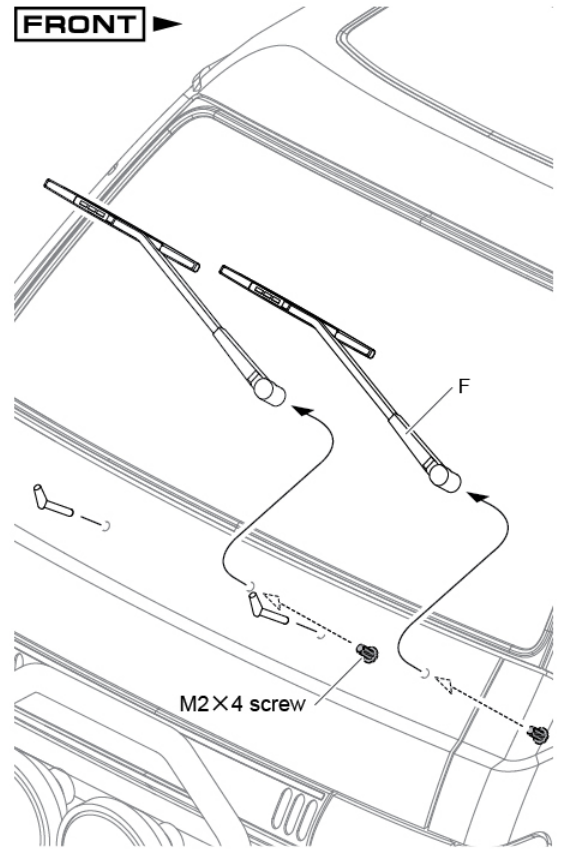
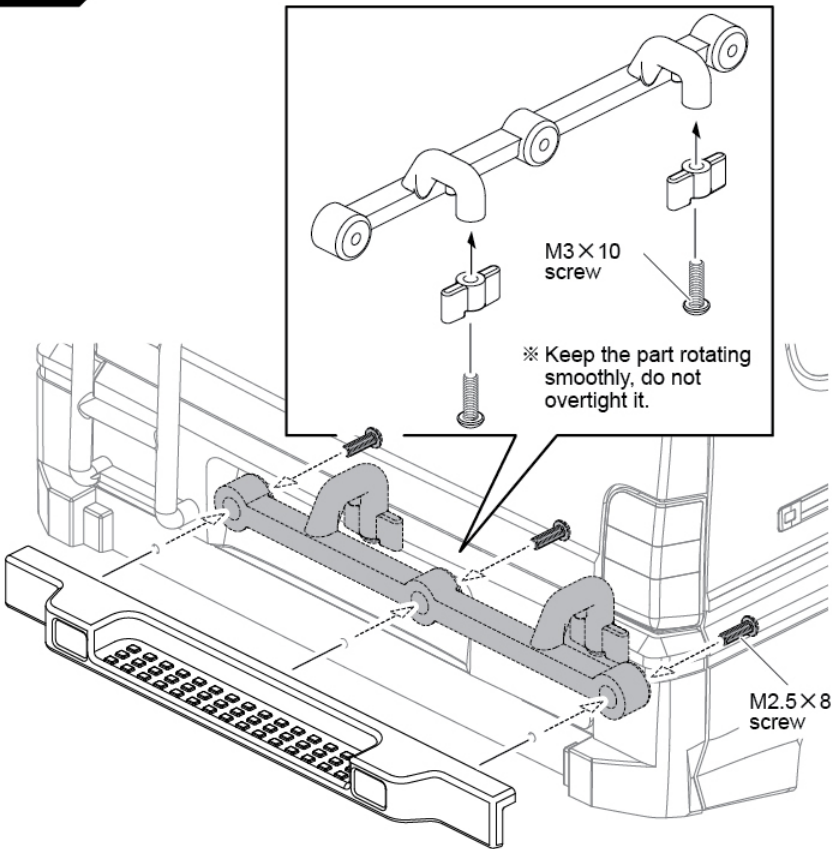


R

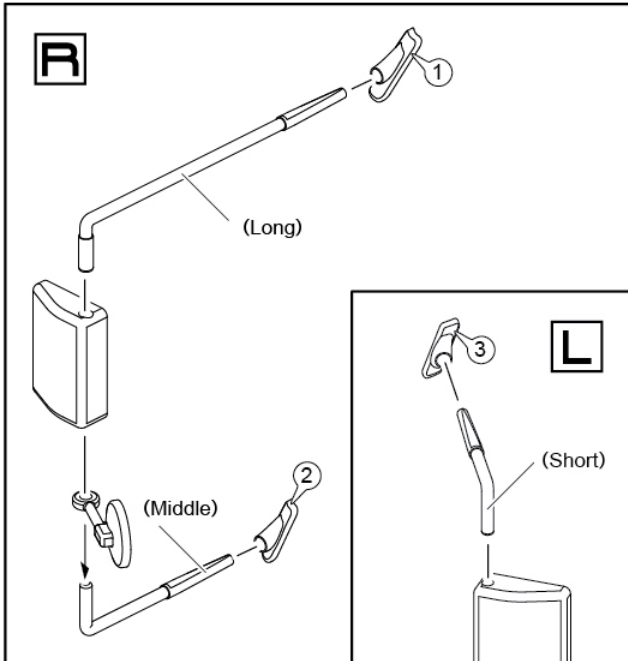
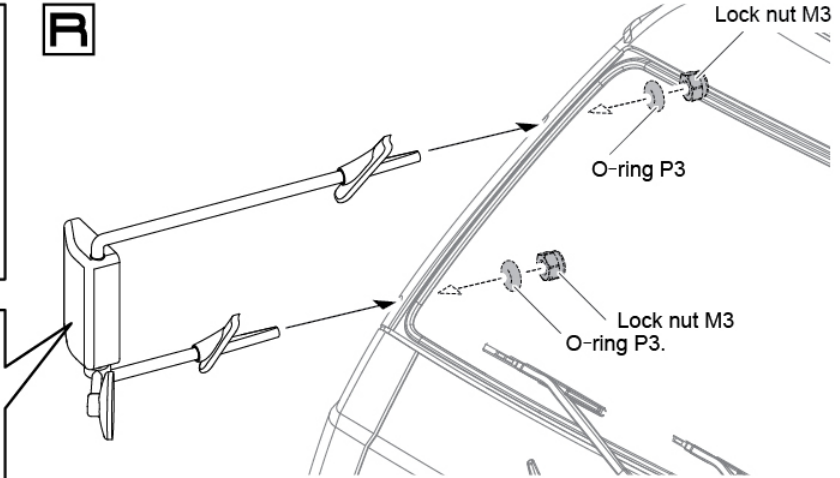


5

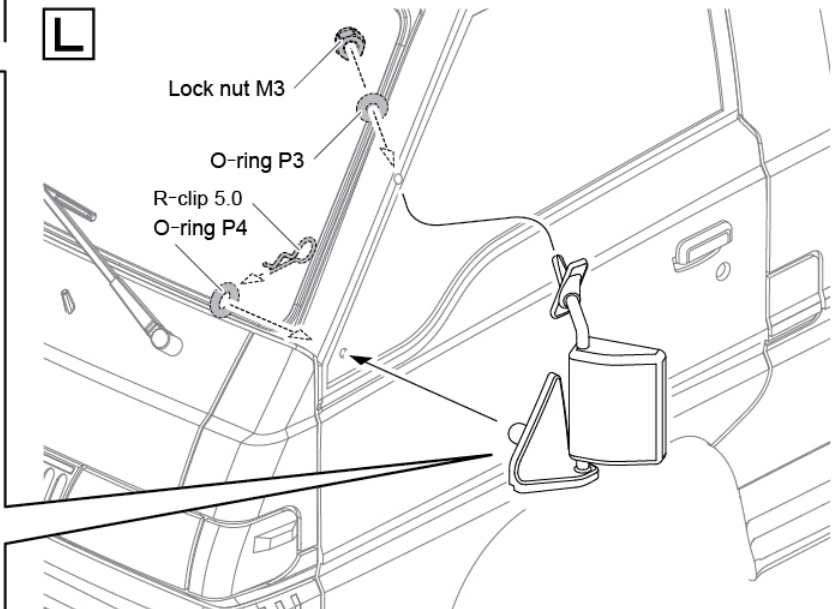
◀ MOUNTING ACCESSORIES



R

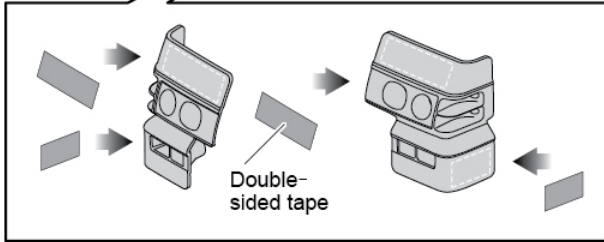
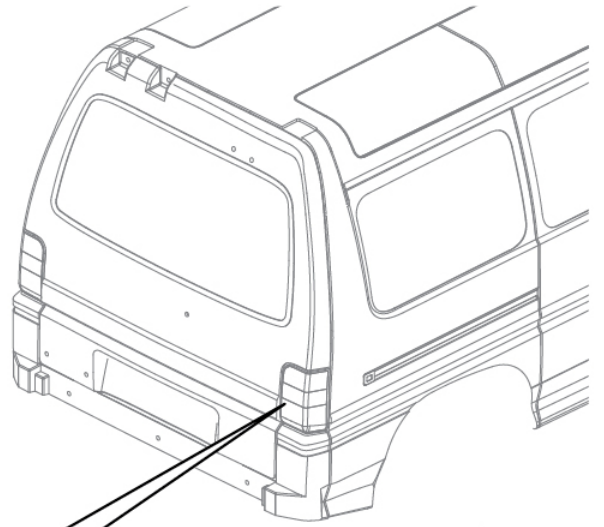
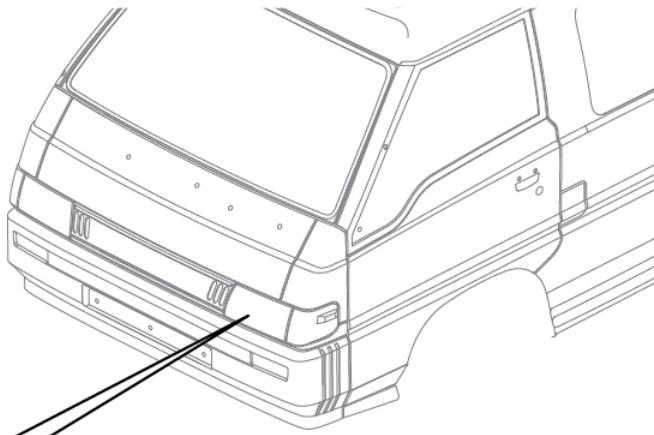


L

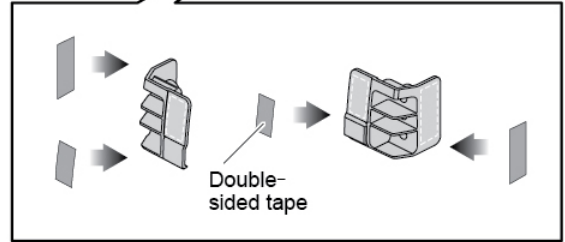


6

MOUNTING ACCESSORIES



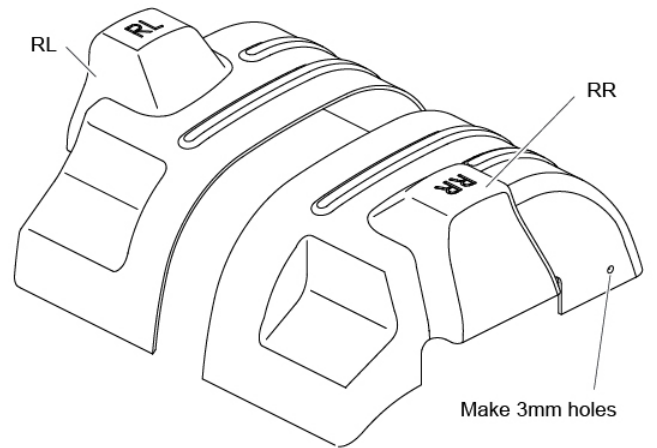
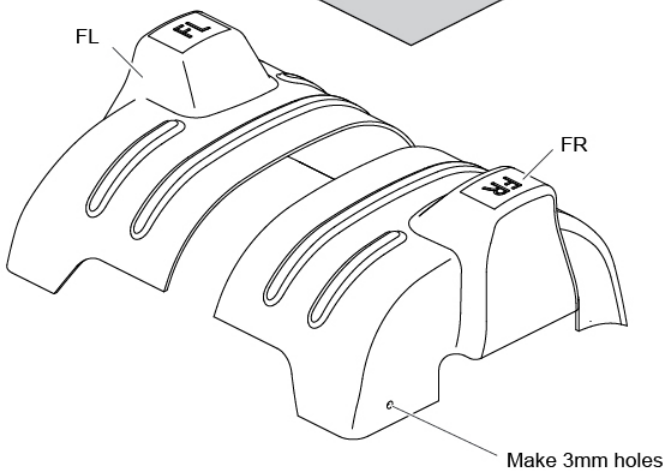
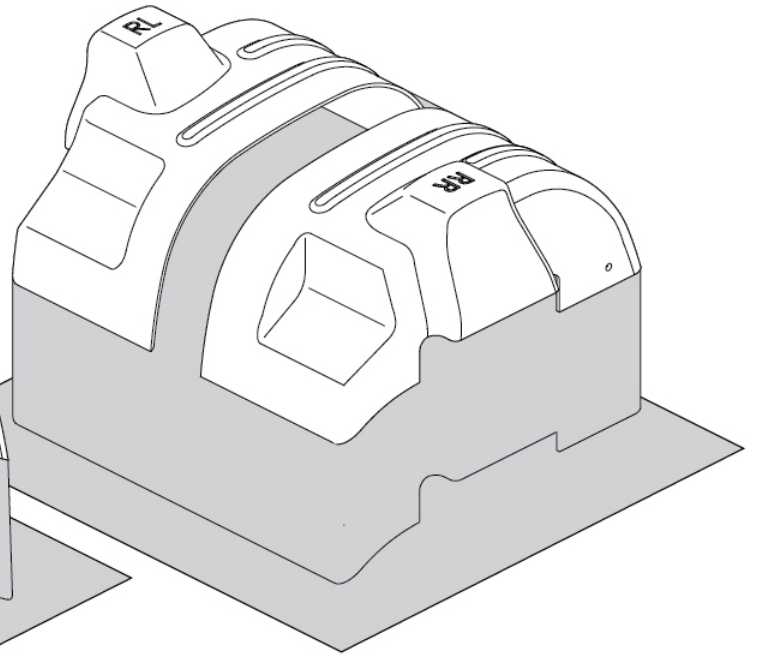
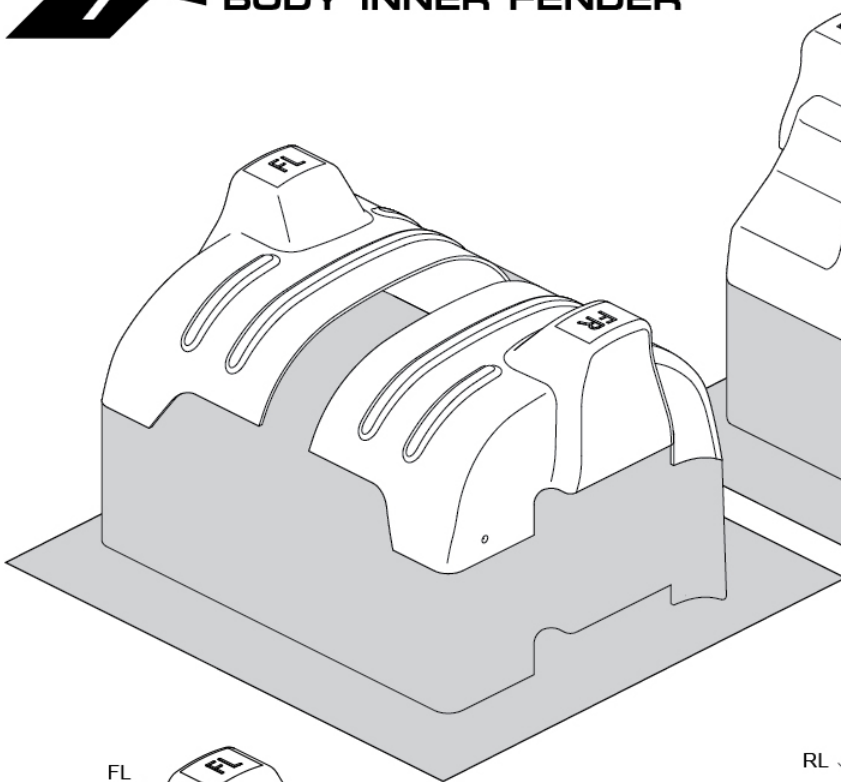
※ Attach the accessories from inside.



※ Attach the accessories from inside.

7

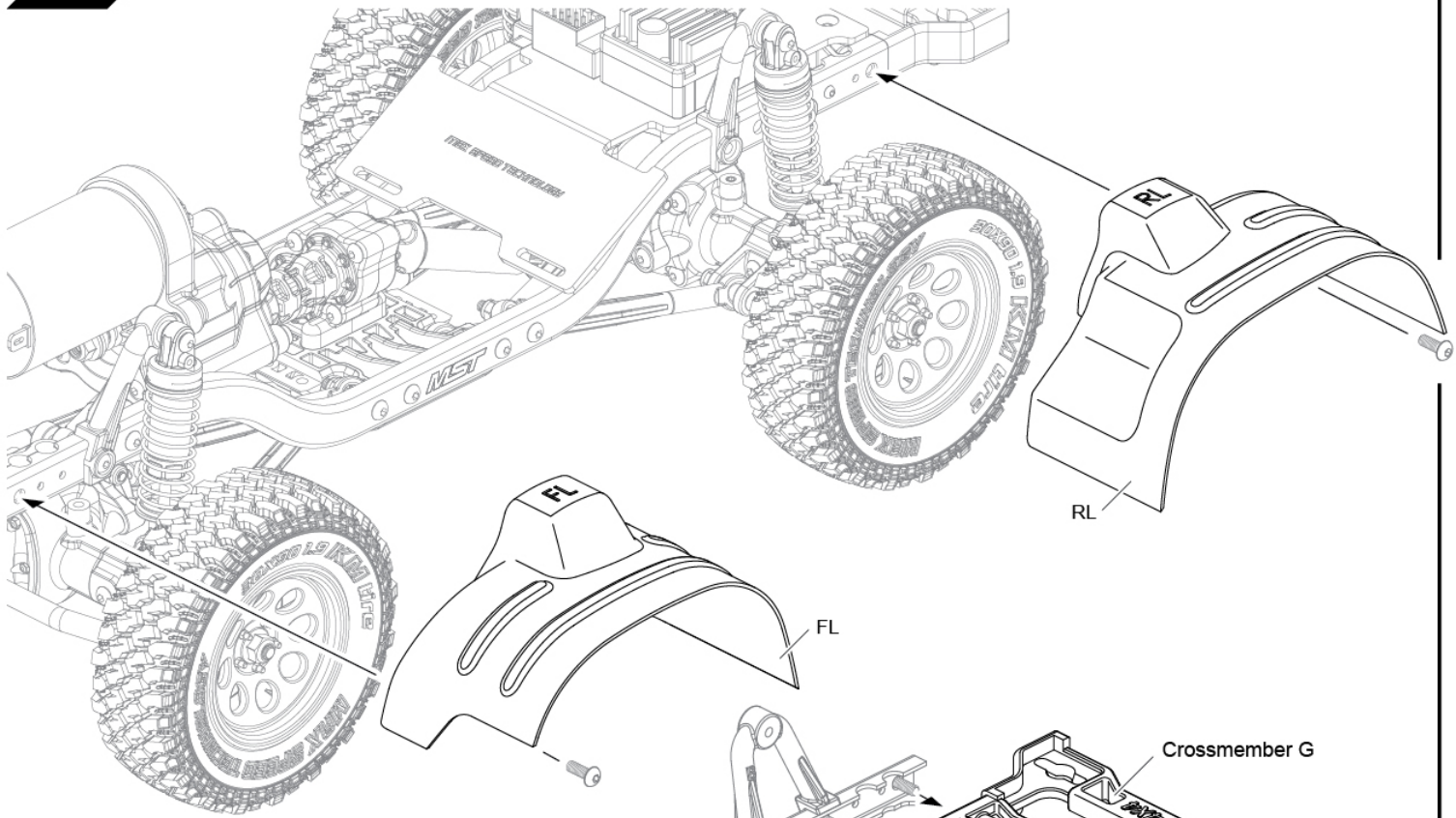
BODY INNER FENDER



Make 3mm holes

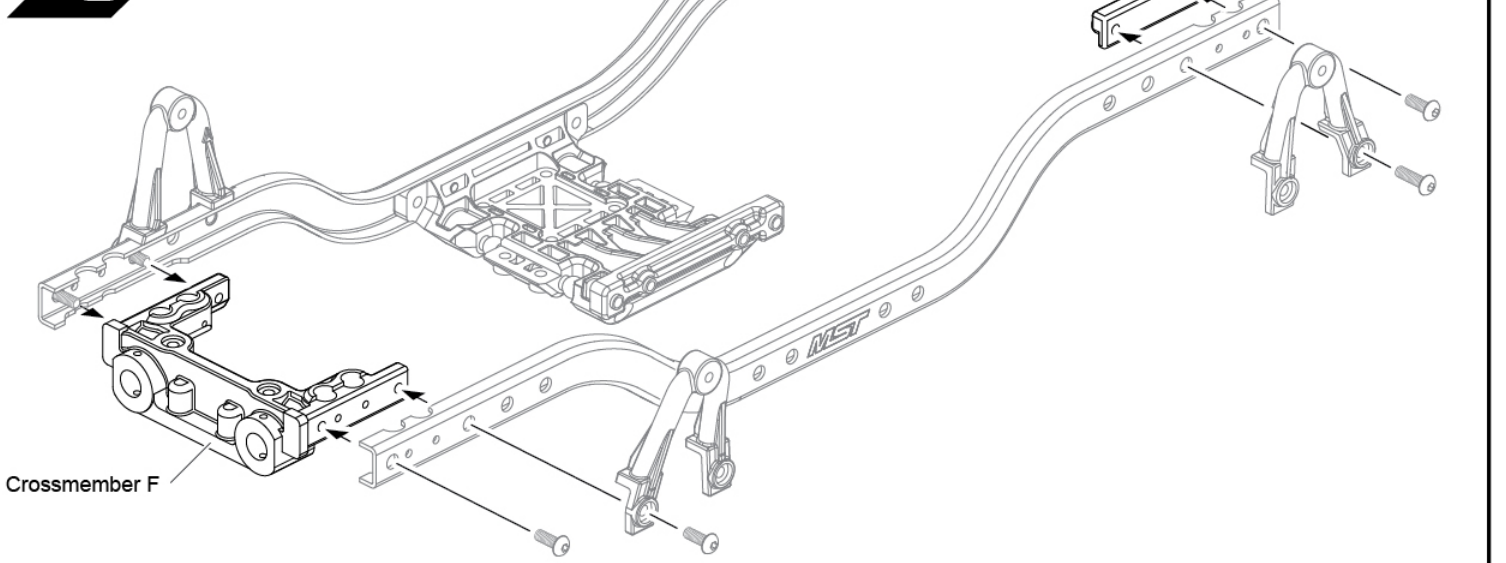
7

ATTACHING INNER FENDER



8

ATTACHING BODY



M2 X 16 screw

