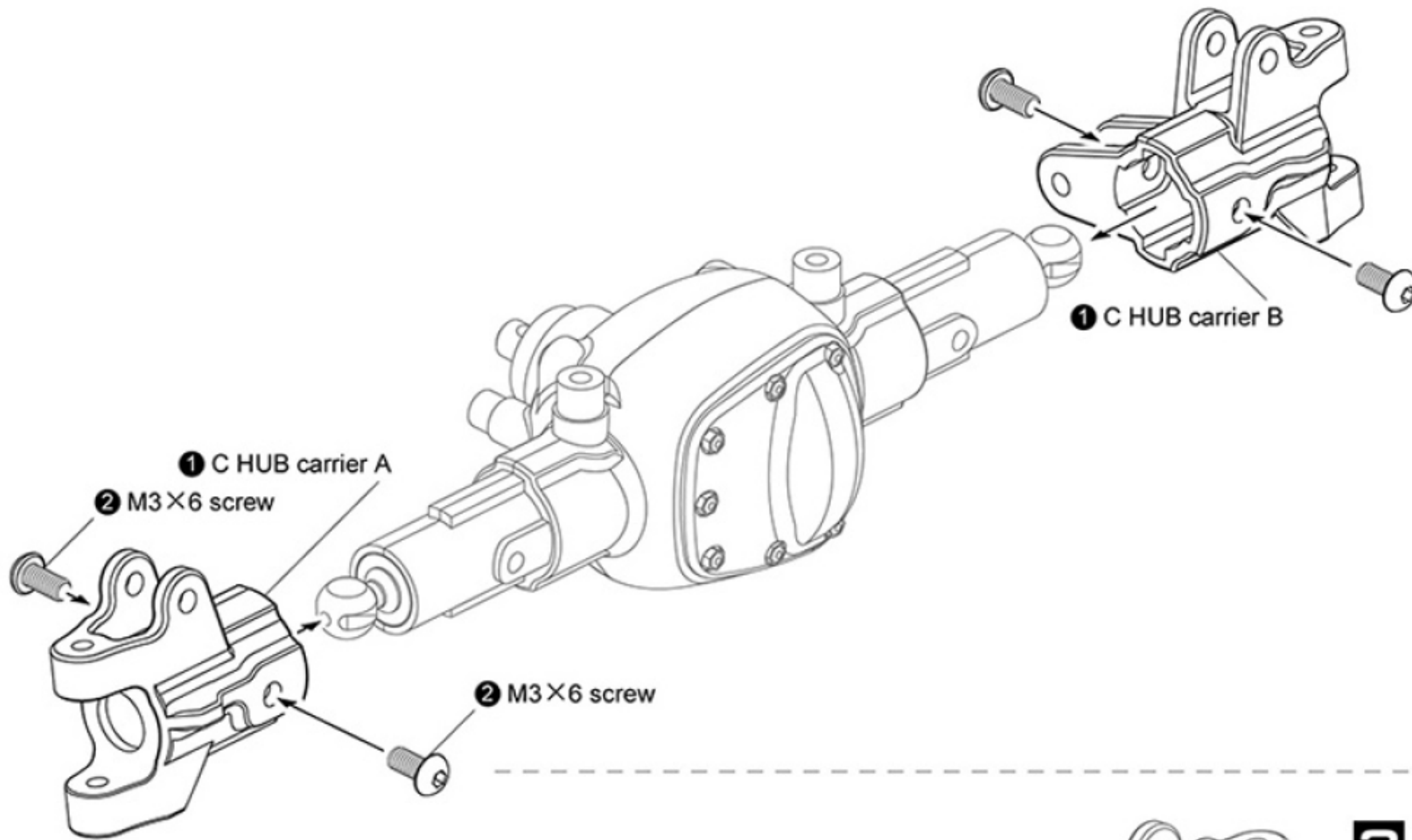
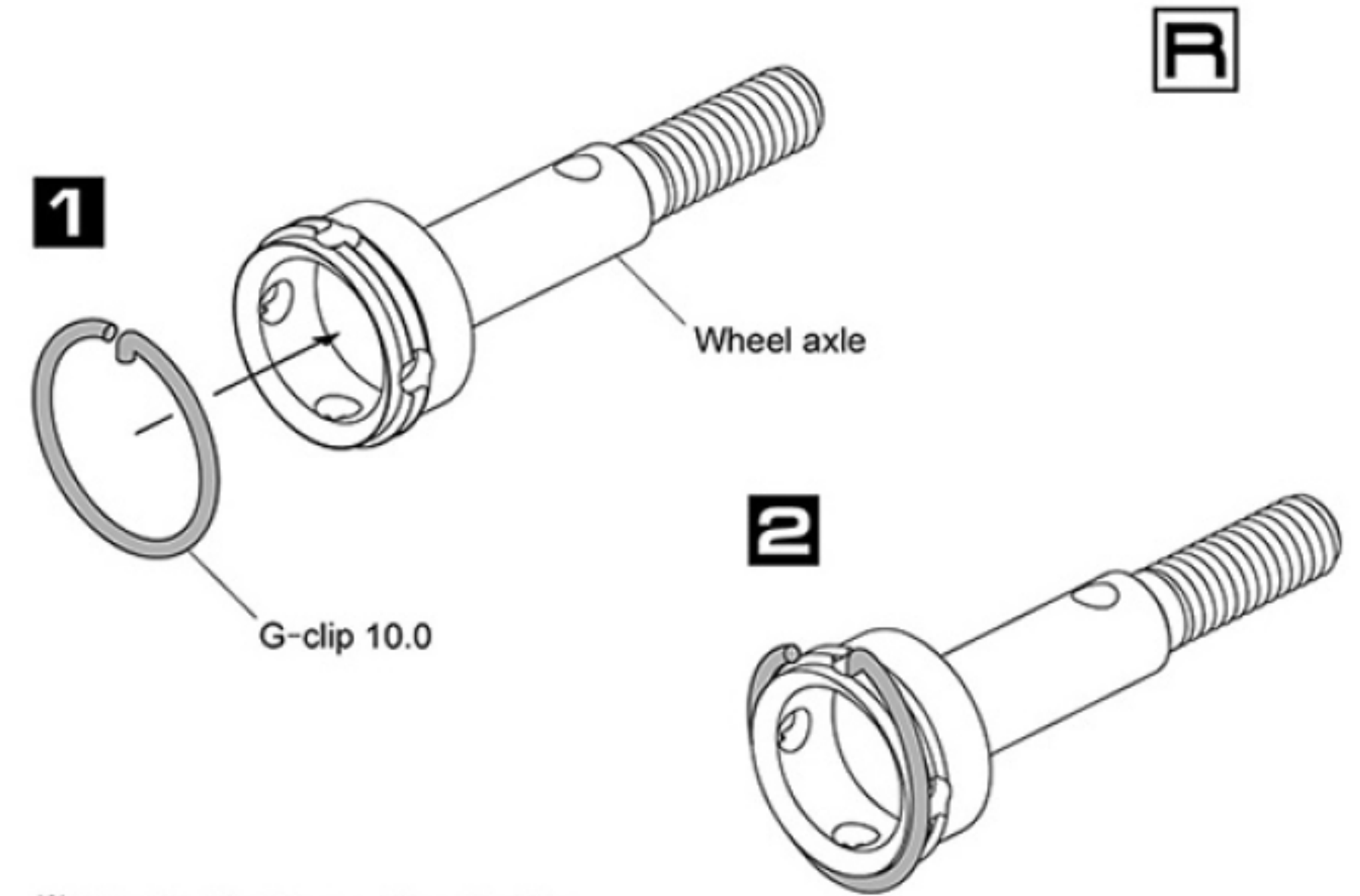


STEP 5 C HUB carrier assembly
C座組裝



STEP 6 Wheel axle assembly
萬向接杯組裝



※ Note the G-clip mounting direction.
注意G扣安裝方向

