

OFF ROAD W

1/8 RC

4WD HIGH PERFORMANCE OFF ROAD CAR

MST

MAX SPEED TECHNOLOGY



ASSEMBLY KIT



4X4 OFF ROAD

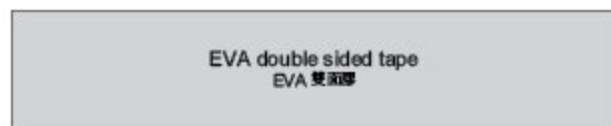
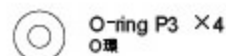
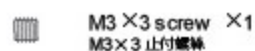
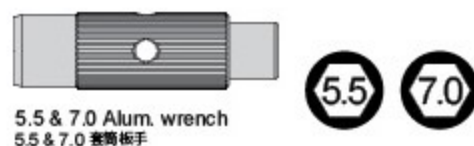
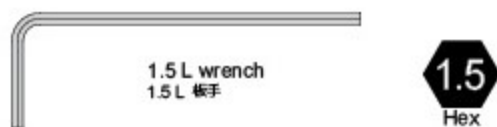
INSTRUCTION MANUAL



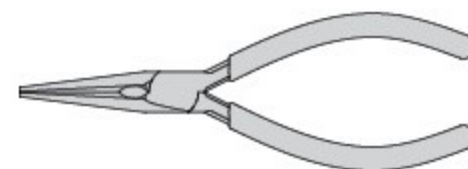
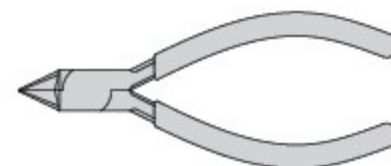
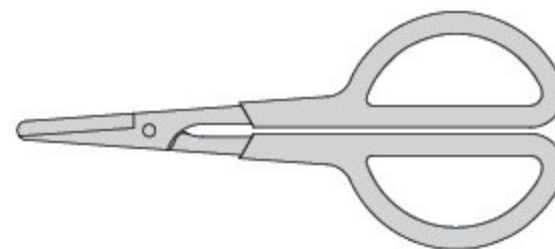
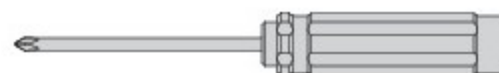
WHEELBASE : 300mm
WIDTH : 230mm
GEAR RATIO = 1:36.3~1:53.4
TIRE WIDTH / DIAMETER : 40x120mm
• Shaft-Driven Full-Time 4WD
Front and Rear MPA-axle

WWW.RC-MST.COM

*SPECIFICATION ARE SUBJECT TO CHANGE WITHOUT NOTICE


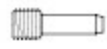


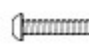








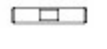
















































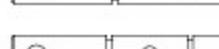

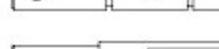

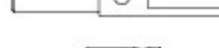
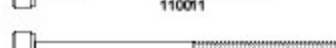



NECESSARY TOOLS FOR ASSEMBLY 工具需求
(NOT INCLUDED IN KIT) [另購]

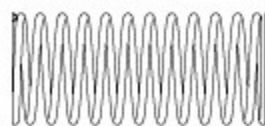


Please follow the assembling figures and instructions closely
for your [CFX-W] best performance!
請依照說明書圖示步驟安裝以發揮 [CFX-W] 最好效能!

PARTS

	M2X8 Cap screw X12 有頭螺絲 110027		Shaft screw X4 銷釘螺絲 110090		Spring X1 扭簧 310087		3X6X2.5 Bearing X16 軸承 120024
	M2X10 screw X16 圓頭螺絲 110084		M3X2.6 screw X6 止付螺絲 110060		E-clip 2.0 X12 E扣 110013		5X8X2.5 Bearing X1 軸承 120017
	M2.5X10 screw X3 圓頭螺絲 110064		M3X16 screw X20 止付螺絲 110023		E-clip 3.0 X4 E扣 110070		4X8X3 Ball bearing X8 培林 120013
	M2.5X14 screw X17 圓頭螺絲 110010		2X9.8 Shaft X4 插銷(噴漆) 110046		E-clip 4.0 X5 E扣 110037		4X10X4 Ball bearing X1 培林 120018
	2.6X10 screw X1 自攻螺絲 110025		2X9.8 Shaft X7 插銷 110017		G-clip 10.0 X4 G扣 110055		5X8X2.5 Ball bearing X1 培林 120003
	M3X5 screw X1 圓頭螺絲 110049		2X11.8 Shaft X2 插銷 110019		Cross joint X4 連接軸 820030		5X9X3 Ball bearing X8 培林 120020
	M3X6 screw X4 圓頭螺絲 110001		3X11.8 Shaft X8 插銷 110098		Nut M3 X2 螺帽 110093		5X10X4 Ball bearing X13 培林 120002
	M3X8 screw X20 圓頭螺絲 110002		2X13.8 Shaft X1 插銷 110018		Nut M2.5 X16 防鬆螺帽 110097		8X12X3.5 Ball bearing X6 培林 120019
	M3X10 screw X15 圓頭螺絲 110026		3X6X0.5 Spacer X9 墊片 110047		Lock nut M3 X31 防鬆螺帽 110021		10X15X4 Ball bearing X1 培林 120001
	M3X12 screw X3 圓頭螺絲 110029		3X8X0.5 Spacer X3 墊片 110048		Lock nut M4 X5 防鬆螺帽 110096		Slipper spacer X1 擋膠墊片 310087
	M3X14 screw X22 圓頭螺絲 110061		5X7X0.3 Spacer X3 墊片 820020		Gear B 14T X12 齒輪 B 14T 310081		MPA Wheel axle X4 MPA 萬向軸杆 310085
	M3X16 screw X9 圓頭螺絲 110086		4X10X1 Spacer X1 墊片 310087		Gear C 14T X4 齒輪 C 14T 310098		Gear A 14T X1 齒輪 A 14T 310086
	M3X18 screw X4 圓頭螺絲 110067		R-clip X9 R形扣 110016		Gear 16T X4 齒輪 16T 310097		Gear A 24T X1 齒輪 A 24T 310085
	M3X20 screw X8 圓頭螺絲 110068		Bevel gear shaft X2 小傘齒輪 310099		Gear B 24T X2 齒輪 B 24T 310084		MPA CVD Axle X4 MPA CVD 軸 310094
	M3X25 screw X3 圓頭螺絲 110076		Gear Shaft B X1 齒輪軸心B 310091		Gear 32T X1 齒輪 32T 310083		
	M3X30 screw X2 圓頭螺絲 110089		Gear Shaft A X1 齒輪軸心A 310090				
	M3X14 screw X4 沉頭螺絲 110081		Gear Shaft C X1 齒輪軸心C 310092				
	M3X16 screw X2 沉頭螺絲 110073		Main shaft X1 主齒輪 310087				
	M3X6 Cap screw X2 有頭螺絲 110011		MPA Axle X4 MPA 軸 310096				
	M3X40 Cap screw X2 有頭螺絲 110091		King pin screw X8 大王螺絲 110092				

PARTS



Coil spring 45mm (hard)(silver) X4
避震彈簧 45mm (硬)(銀) 210529



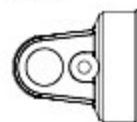
Piston rod X4
避震軸心 310072



Damper cylinder X4
避震筒身 230015



Piston X4
活塞 230015



Cylinder cap X4
避震器上蓋 210057



Rod guide cap X4
避震器下蓋 210057



Damper retainer X4
避震器彈簧座 230015



Spring holder X4
彈簧托環 230015



Damper adjuster X4
避震器拉桿 230015



10.8X0.9 O-ring X4
O環 130032



Spring spacer X4
彈簧調整扣 1mm 230015



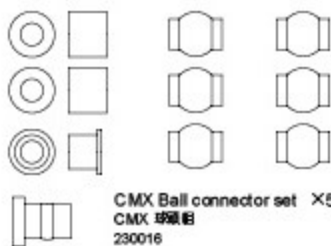
Spring spacer X4
彈簧調整扣 2mm 230015



Spring spacer X4
彈簧調整扣 4mm 230015



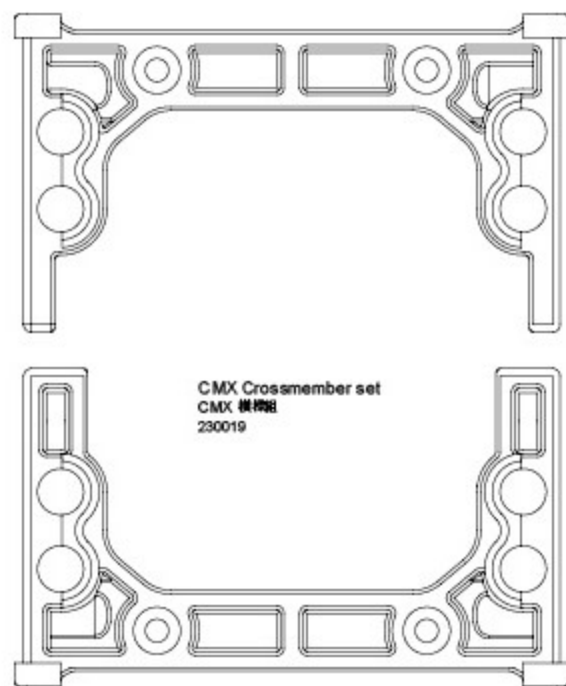
Damper O-ring P3 X8
避震器O環 130001



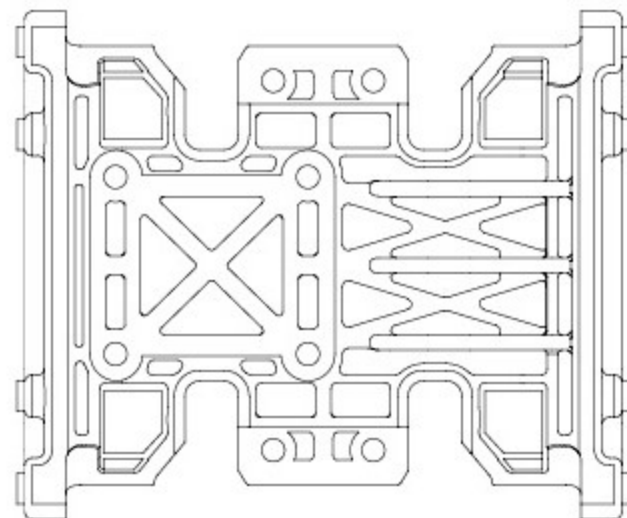
CMX Ball connector set X5
CMX 球環組 230016



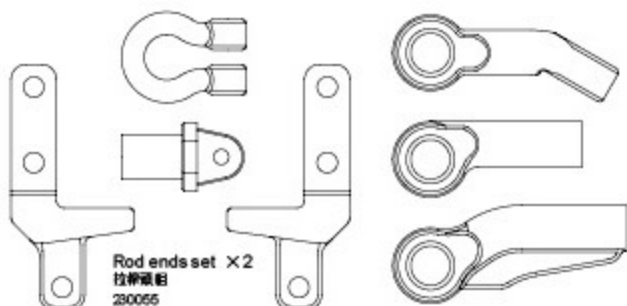
CFX-W Driveshaft X2
CFX-W 傳動軸 230049



CMX Crossmember set
CMX 橫桿組 230019

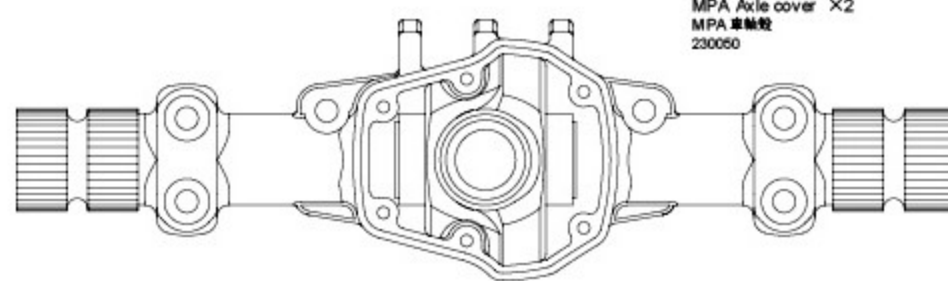
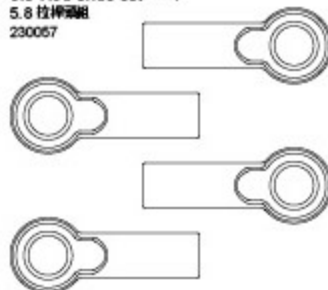


CMX Gear box chassis set
CMX 減速箱底盤組 230020



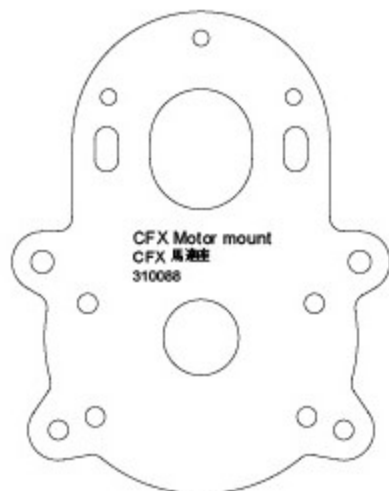
Rod ends set X2
拉桿頭組 230055

5.8 Rod ends set X4
5.8 拉桿頭組 230057



MPA Axle cover X2
MPA 車軸殼 230050

PARTS



CFX Motor mount
CFX 馬達座
310088



Alum. link 94.5mm ×1
鋁合金拉桿 94.5mm
810024



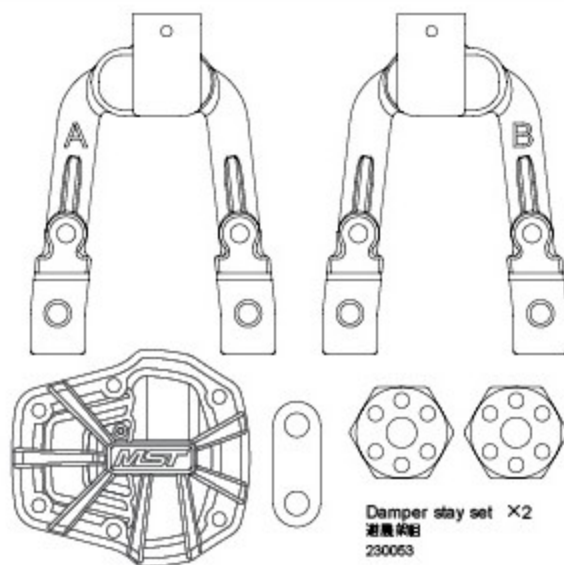
Alum. link 76mm ×4
鋁合金拉桿 76mm
810025



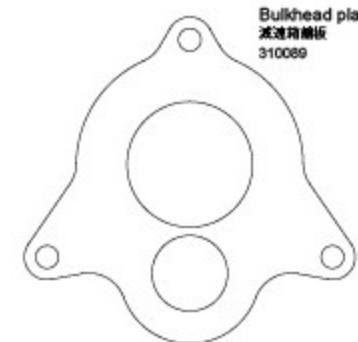
Alum. link 60.5mm ×4
鋁合金拉桿 60.5mm
810026



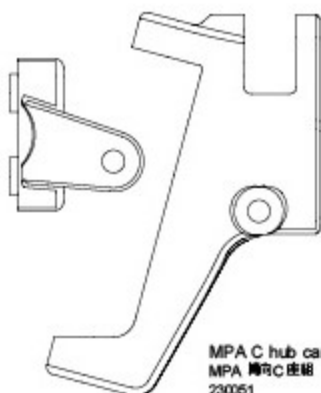
Alum. link 43mm ×1
鋁合金拉桿 43mm
810023



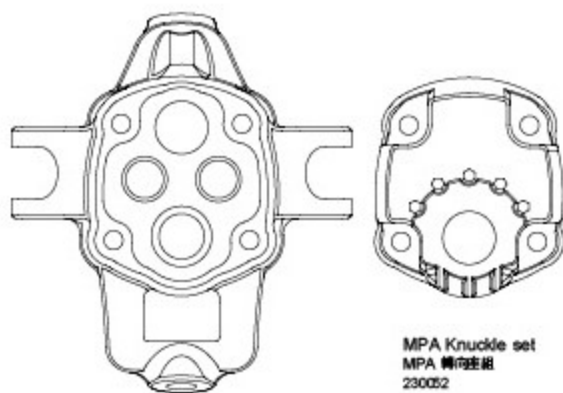
Damper stay set ×2
避震桿組
230053



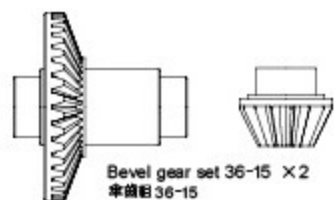
Bulkhead plate
減速箱蓋板
310089



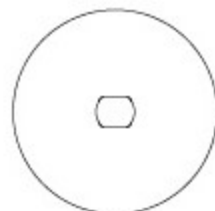
MPA C hub carrier set
MPA 轉RC座組
230051



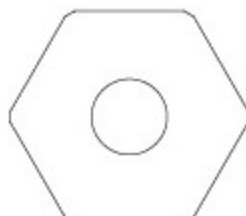
MPA Knuckle set
MPA 轉向座組
230052



Bevel gear set 36-15 ×2
傘齒輪 36-15
310100



Slipper Plate
扭轉盤蓋
310080



Slipper Pad
扭轉摩擦片
100045

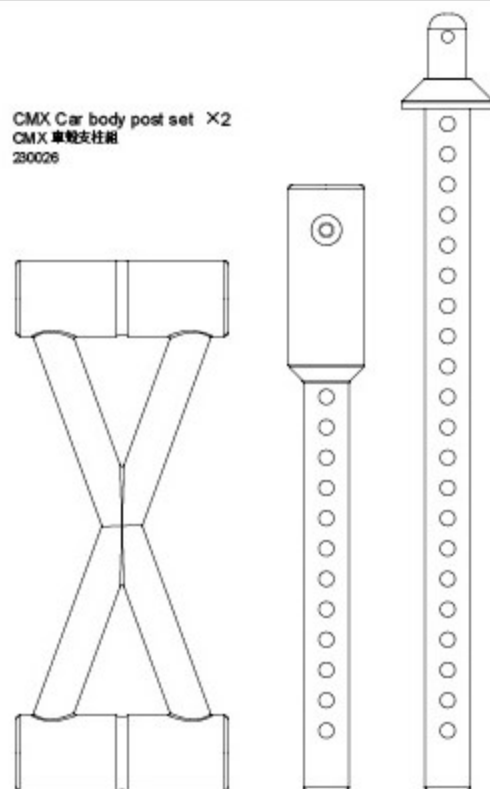


Gear 42T
齒輪 42T
310082

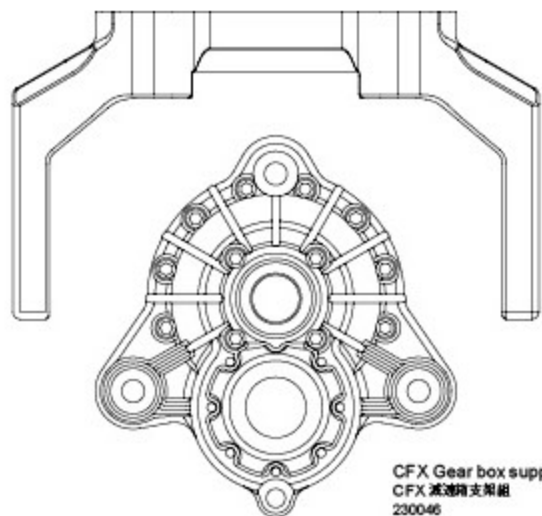


CFX Driveshaft set
CFX 驅動軸組
230048

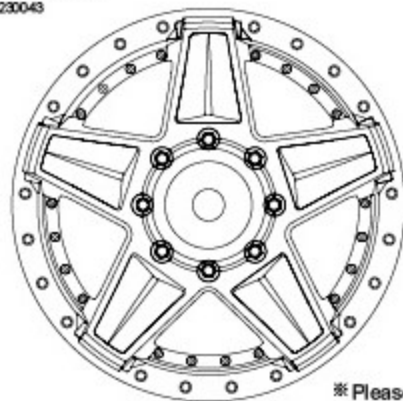
CMX Car body post set ×2
CMX 車殼支柱組
230026



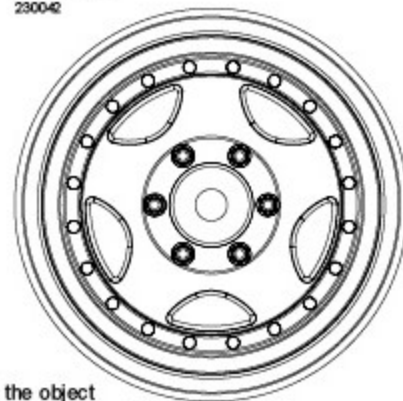
PARTS



648 1.9" Crawler wheel X4
648 1.9" 攀指輪
230043



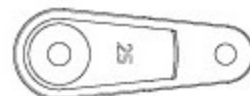
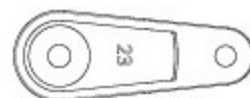
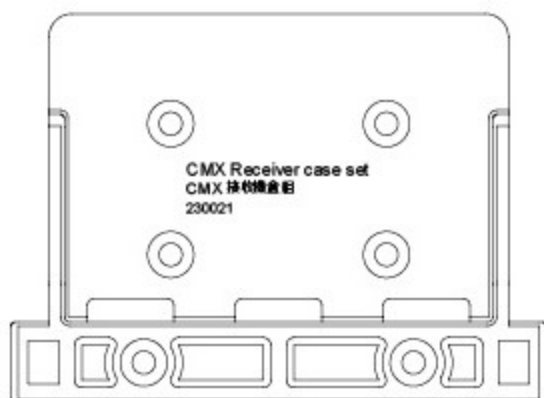
236 1.9" Crawler wheel X4
236 1.9" 攀指輪
230042



* Please make the object
as the standard.
請以實物為主。



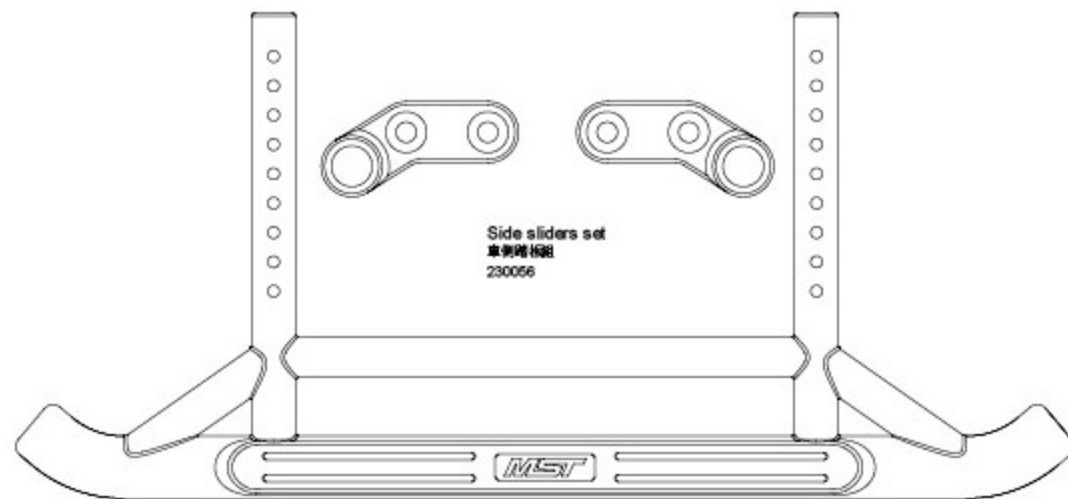
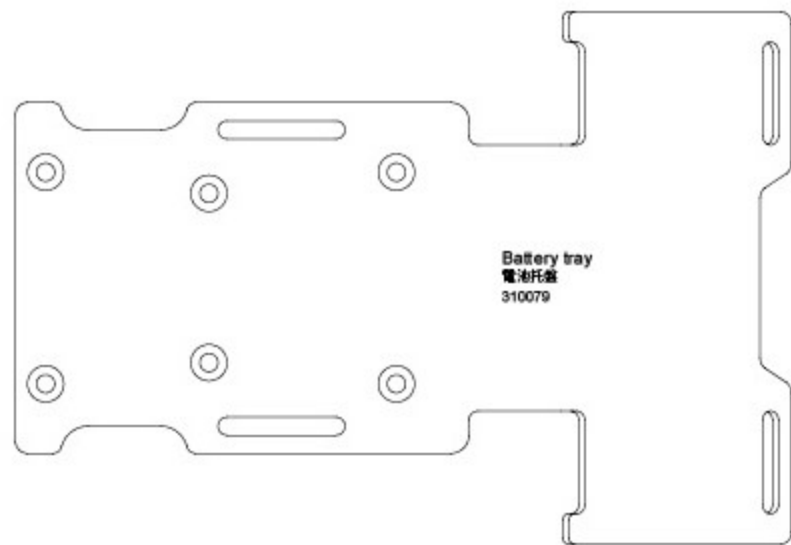
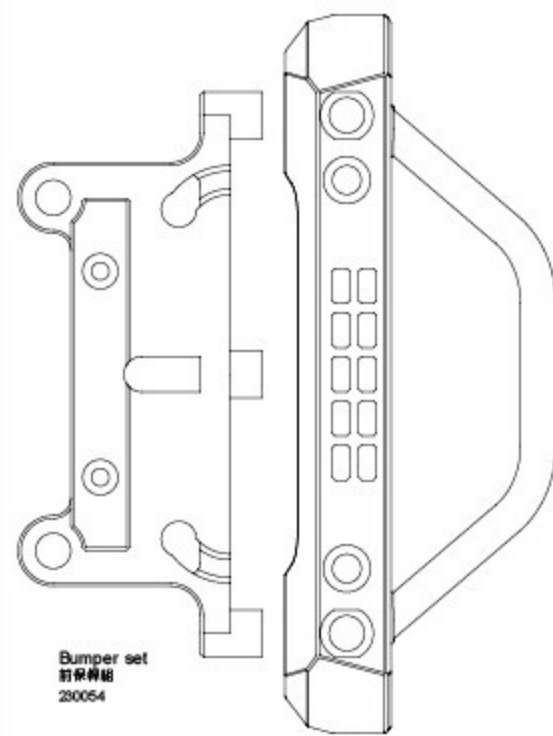
Velcro strap 16×210mm X2
電池束帶
130048



Servo horn set (long) (23T/25T)
有源齒形片組-長 (23T/25T)
210033




PARTS



TRANSMISSION

減速箱

 M2.5×10 screw ×3
圓頭螺絲


 M2.5×14 screw ×1
圓頭螺絲


 M3×10 screw ×6
圓頭螺絲


 M3×16 screw ×1
圓頭螺絲


 M3×6 cap screw ×2
有頭螺絲


 M3×40 cap screw ×2
有頭螺絲

 5×8×2.5 Bearing ×1
軸承

 5×8×2.5 Ball bearing ×1
培林

 4×10×4 Ball bearing ×1
培林


 5×10×4 Ball bearing ×3
培林

 10×15×4 Ball bearing ×1
培林

 2×9.8 Shaft ×2
插銷

 Gear shaft A ×1
齒輪軸心A


 Main shaft ×1
主齒輪

 3×6×0.5 Spacer ×2
墊片

 5×7×0.3 Spacer ×1
墊片

 4×10×1 Spacer ×1
墊片

 Slipper spacer ×1
扭殼墊片

 E-clip 4.0 ×1
E扣

 Bearing holder ×1
軸承套

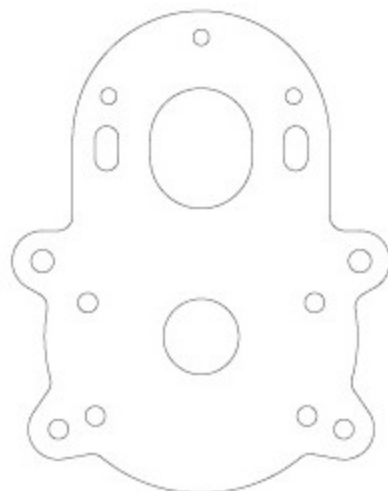
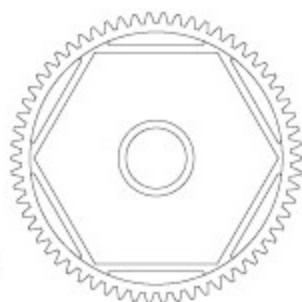
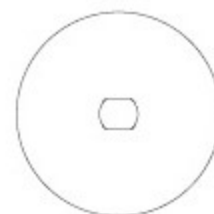
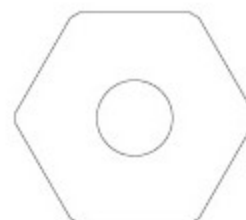
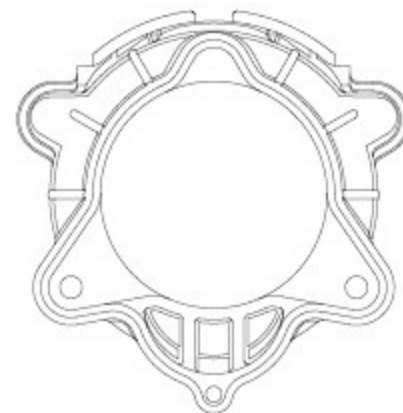
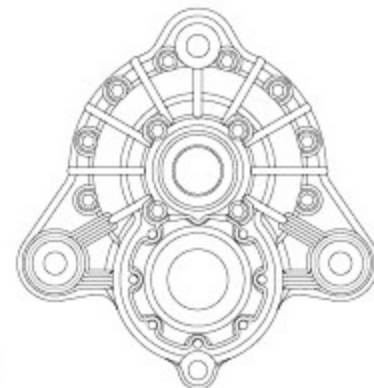
 Lock nut M4 ×1
防鬆螺帽

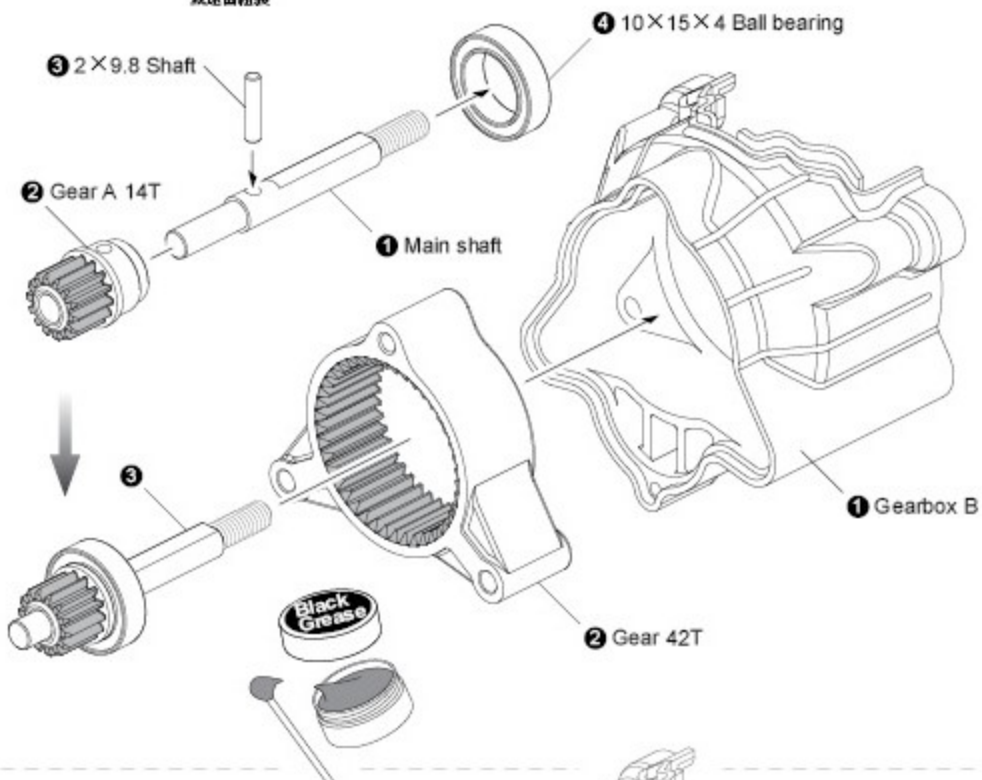
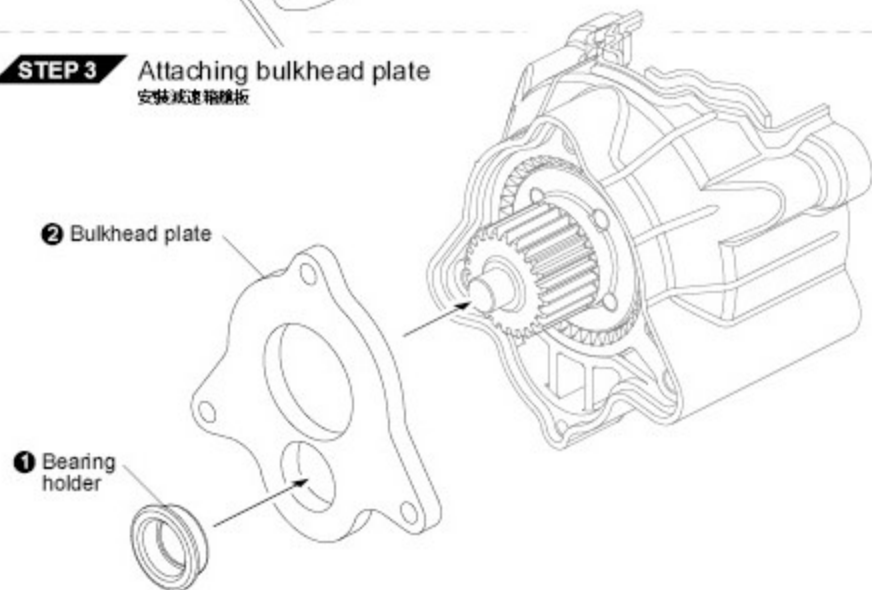
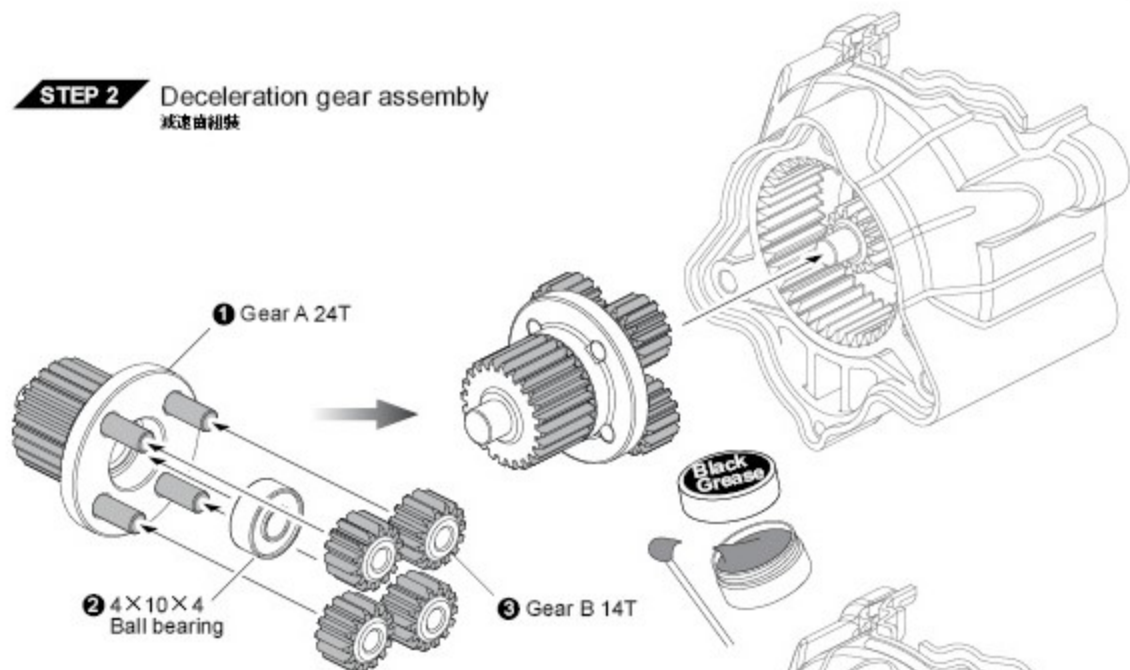
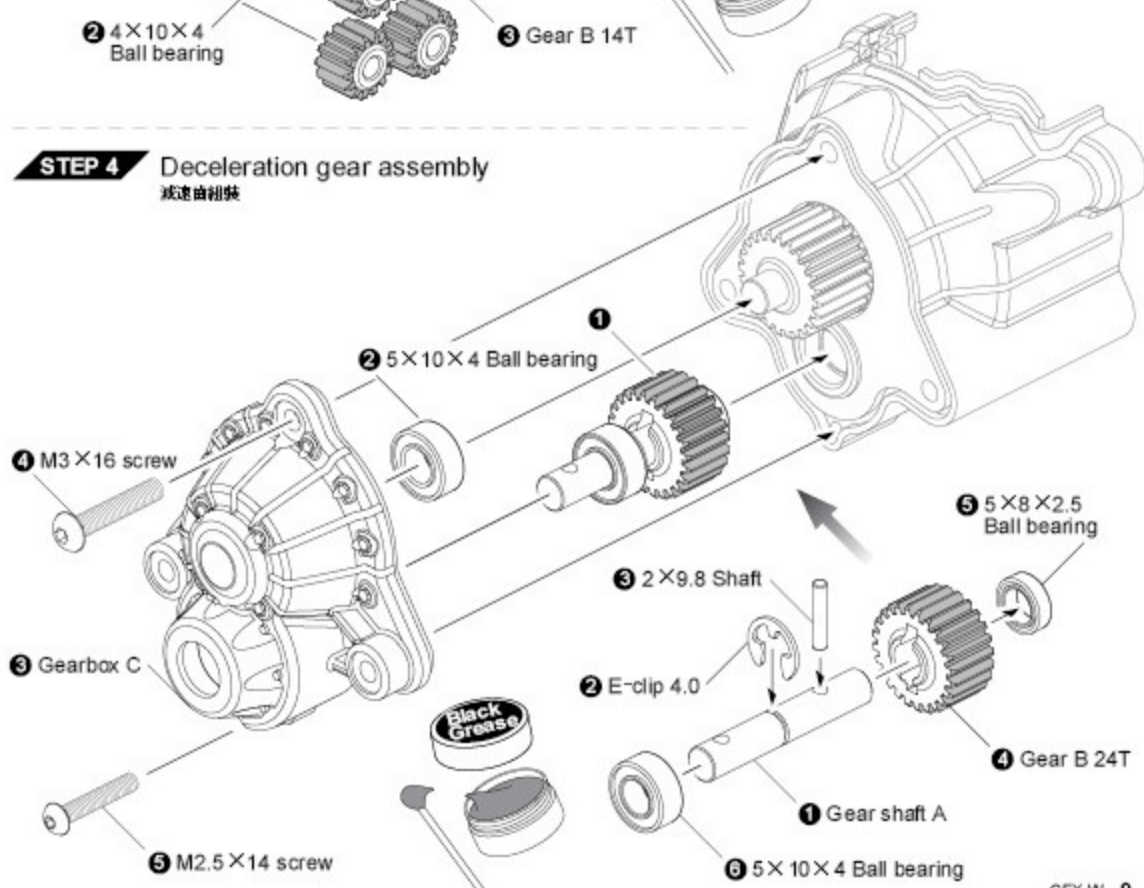
 Spring ×1
扭殼彈簧

 Gear B 14T ×4
齒輪 B 14T

 Gear B 24T ×1
齒輪 B 24T

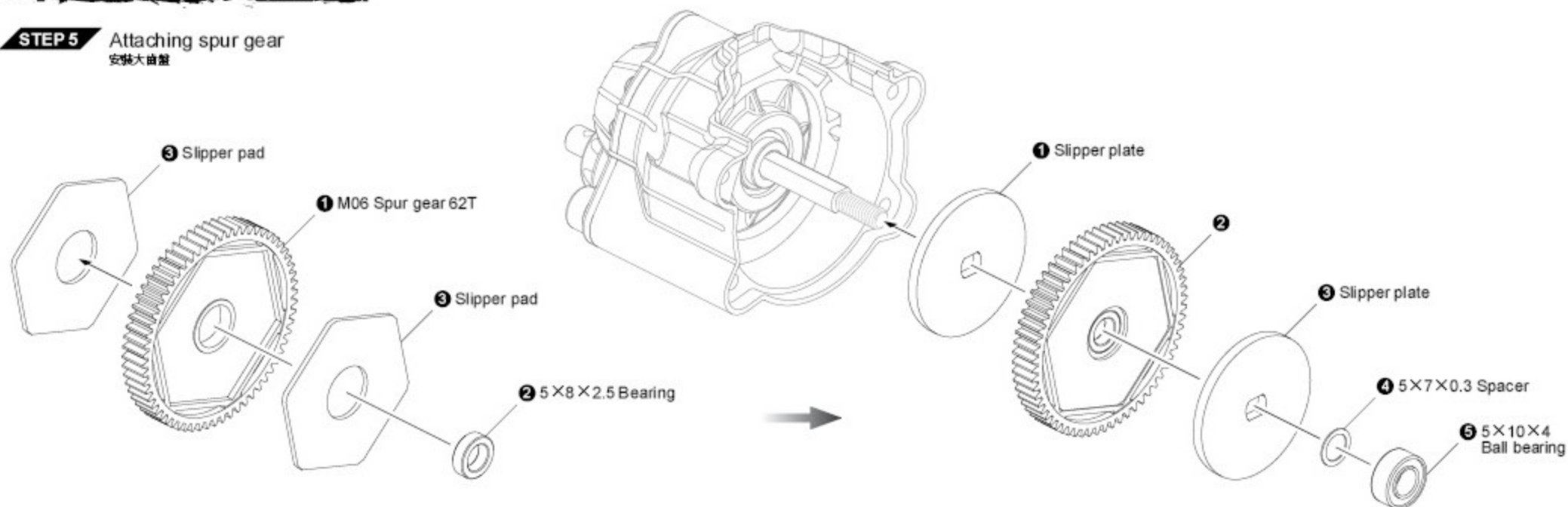
 Gear A 14T ×1
齒輪 A 14T

 Gear A 24T ×1
齒輪 A 24T
Motor mount ×1
馬達座Bulkhead plate ×1
減速箱鎖板M06 Spur gear 62T ×1
M06 大齒輪 62TSlipper plate ×2
扭殼墊板Slipper pad ×2
扭殼厚墊片Gear 42T ×1
齒輪 42TGearbox mount ×1
減速箱固定座Gearbox B ×1
減速齒箱 BGearbox C ×1
減速齒箱 C

STEP 1 Deceleration gear assembly
減速齒輪組裝**STEP 3** Attaching bulkhead plate
安裝減速箱隔板**STEP 2** Deceleration gear assembly
減速齒輪組裝**STEP 4** Deceleration gear assembly
減速齒輪組裝

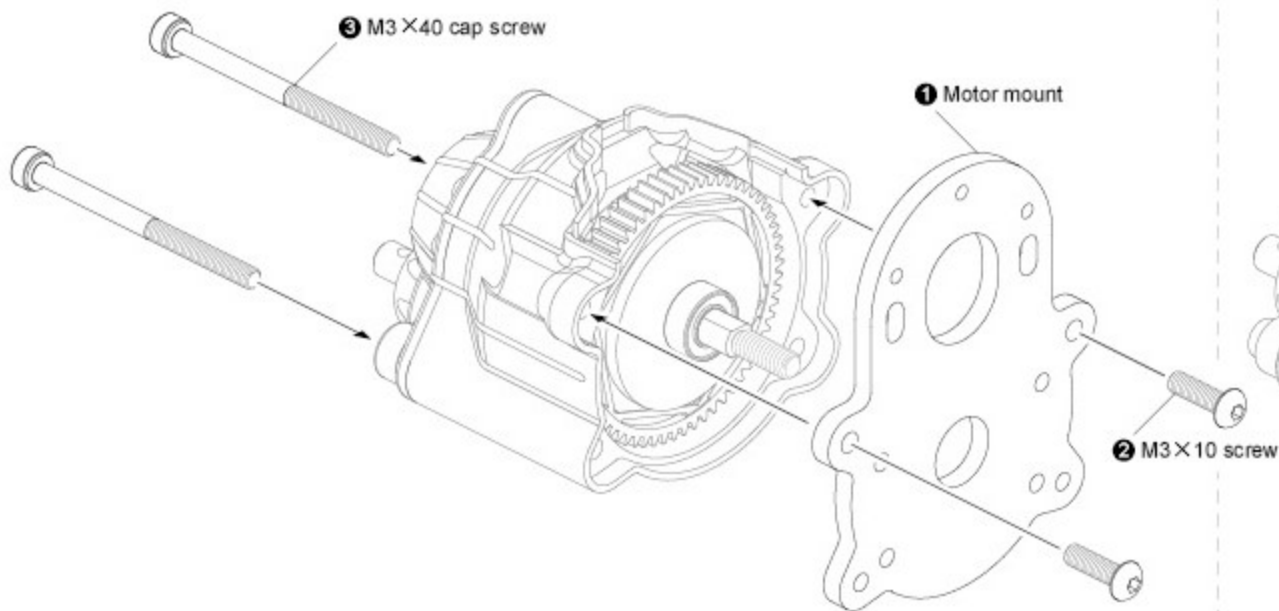
STEP 5 Attaching spur gear

安裝大齒盤



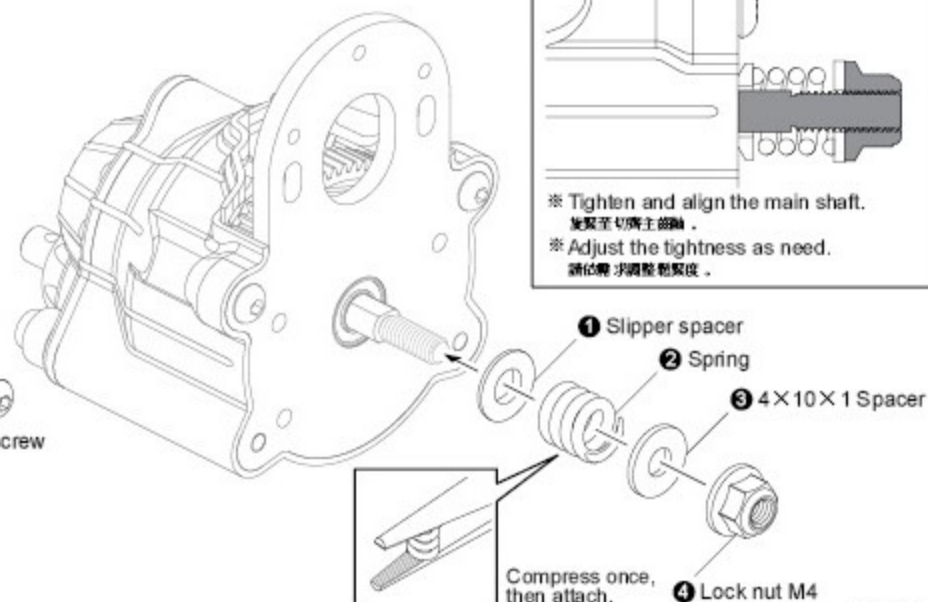
STEP 6 Attaching motor mount

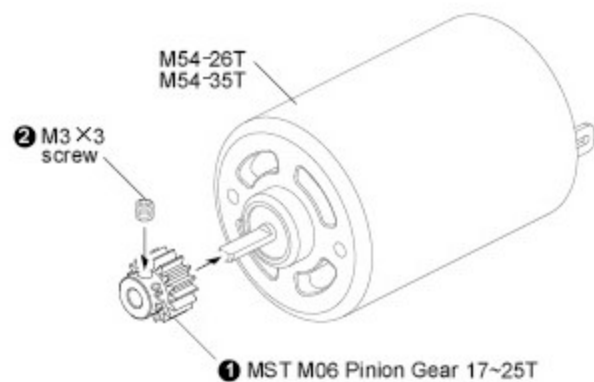
安裝馬達座



STEP 7 Attaching spring

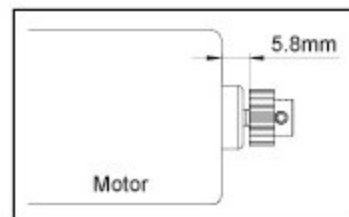
安裝扭簧彈簧



STEP 8 Attaching pinion gear
安裝馬達齒

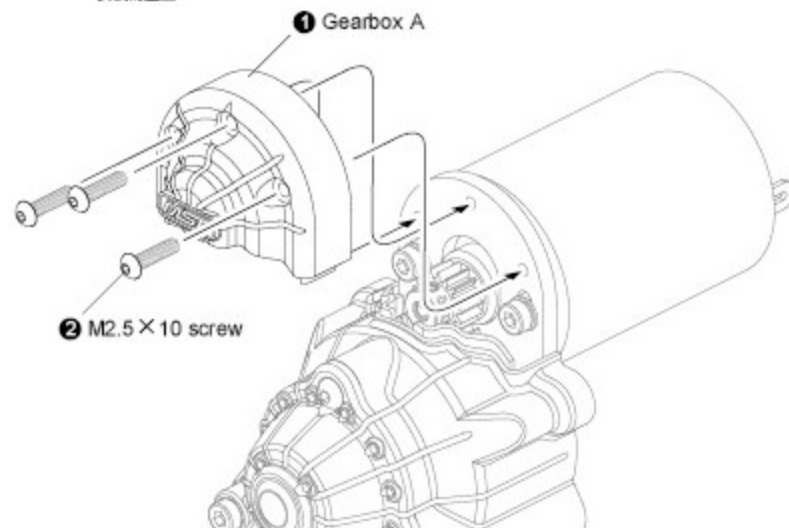
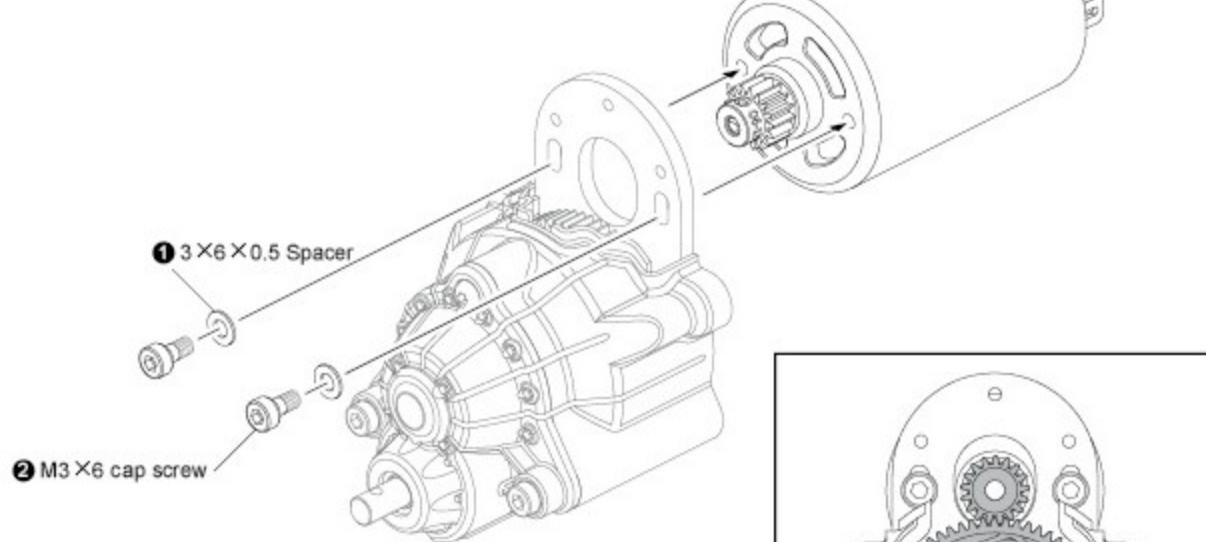
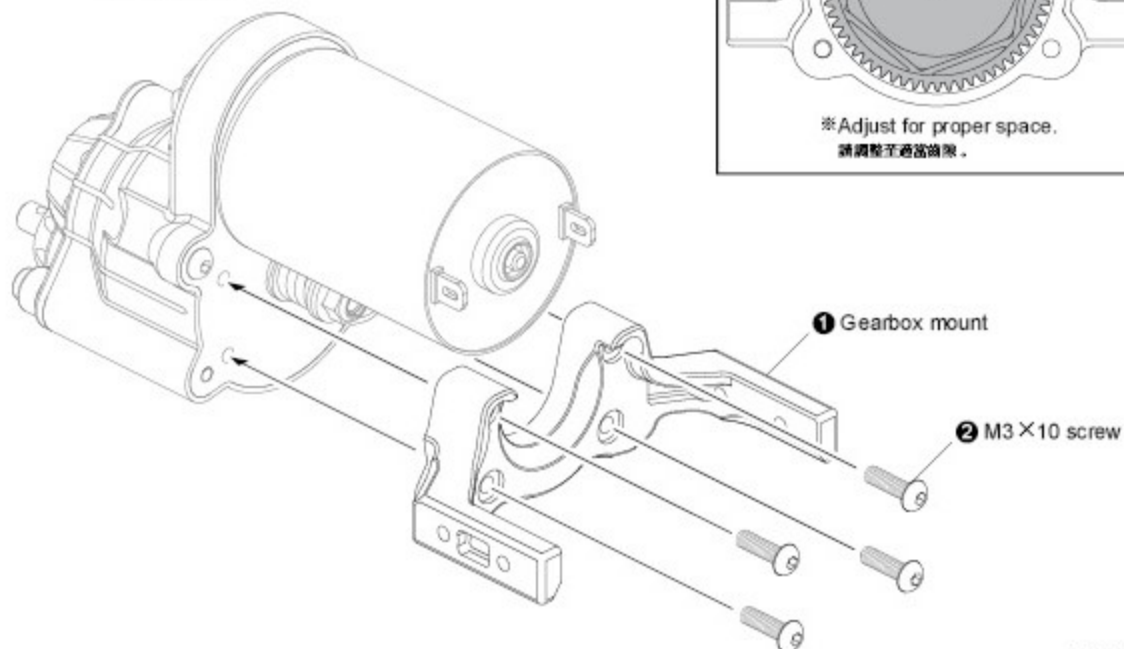
GEAR RATIO

Pinion Gear	Spur Gear 62T
17	53.35
18	50.39
19	47.74
20	45.35
21	43.19
22	41.23
23	39.43
24	37.79
25	36.28



※Please set the gear ratio according to motor specifications, environments, and personal requirements.
齒比的選擇會因馬達規格、場地形態、車手手感，而有不同選擇，可先參考當地配置後再選擇齒比！

※Please refer to MST office website for completed pinion specifications.
如欲另購馬達齒，請上官網查詢！[www.rc-mst.com]

STEP 10 Attaching dust cover
安裝防塵蓋**STEP 9** Attaching motor
安裝馬達**STEP 11** Attaching gearbox mount
安裝減速箱固定座

※Adjust for proper space.
請調整至適當齒隙。

M3×5 screw ×1
圓頭螺絲

3×6×0.5 Spacer ×1
墊片

M3×14 screw ×4
圓頭螺絲

5×10×4 Ball bearing ×4
球珠

2×9.8 Shaft ×1
插銷

Gear shaft B ×1
齒輪心B

2×13.8 Shaft ×1
插銷

Gear shaft C ×1
齒輪心C

E-clip 4.0 ×2
E扣

Gear B 24T ×1
齒輪 B 24T

Gear 32T ×1
齒輪 32T

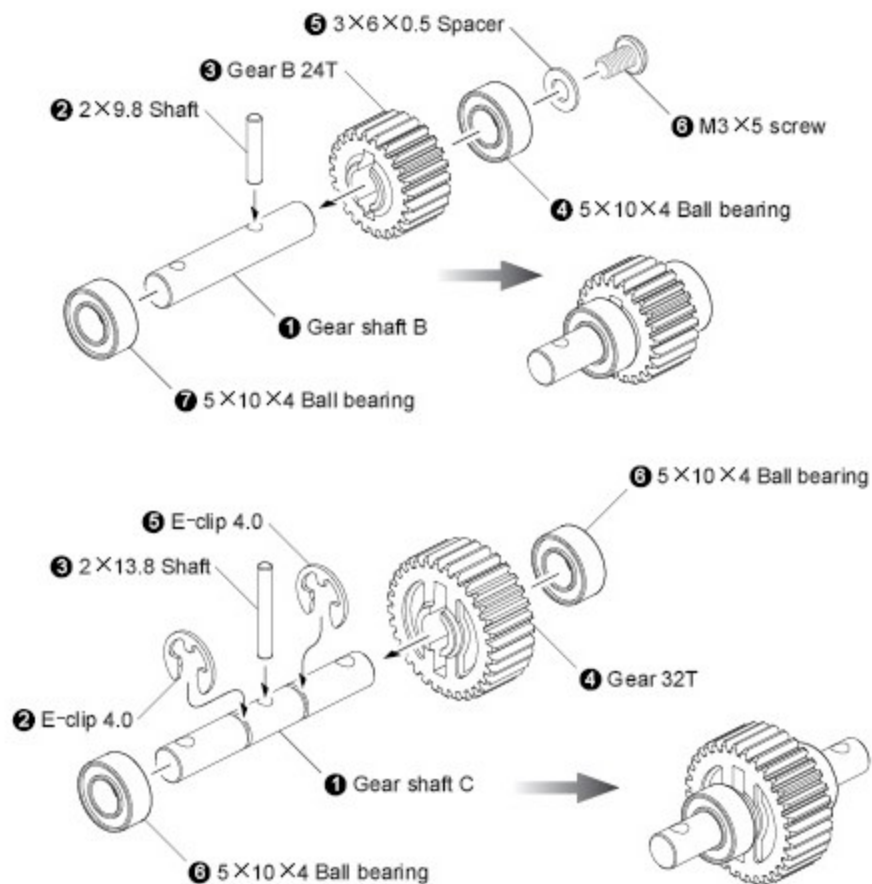


Gear box A ×1
分動箱 A

Gear box B ×1
分動箱 B

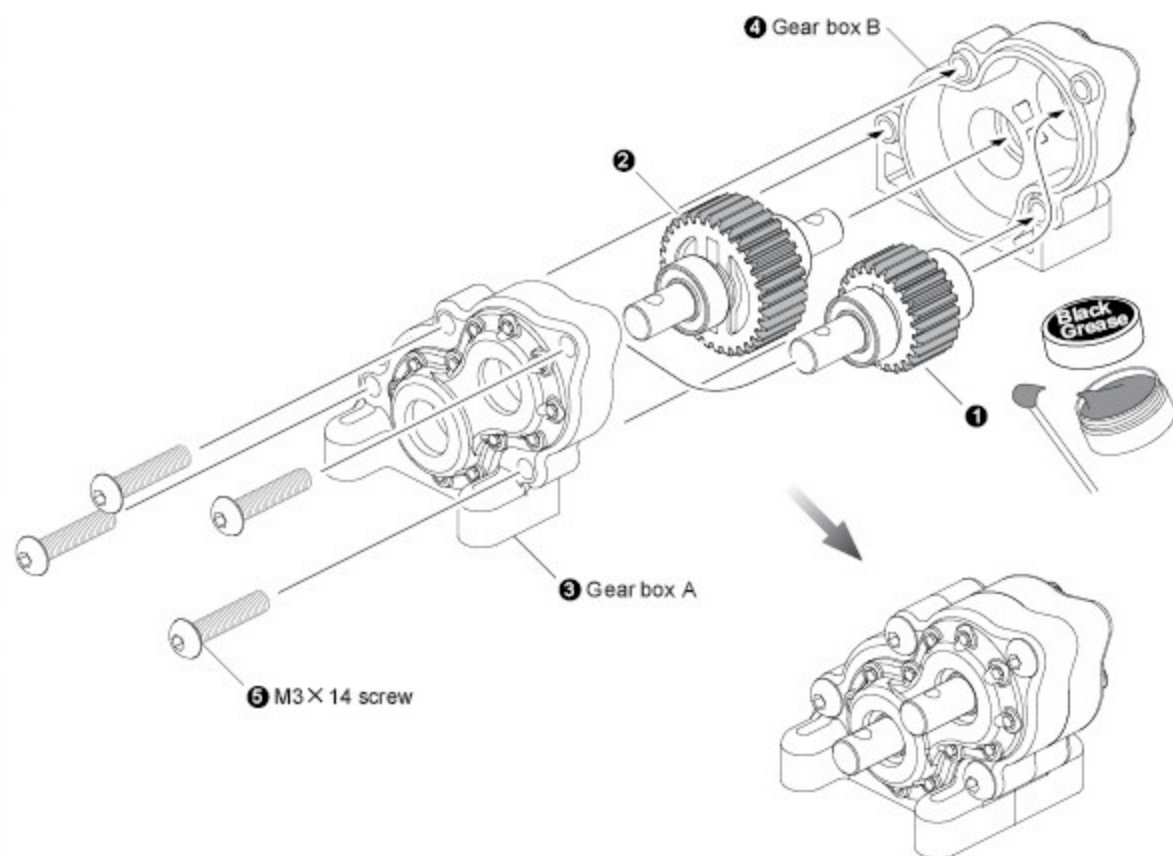
STEP 1 Deceleration gear assembly

減速齒輪裝



STEP 2 Attaching gear

安裝減速齒



M3×6 screw ×4
圓頭螺絲

M3×8 screw ×16
圓頭螺絲

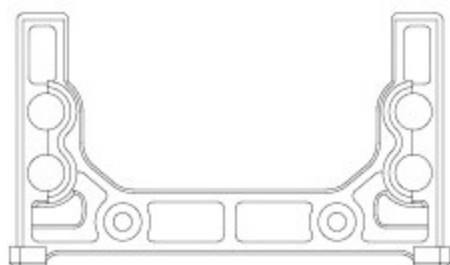
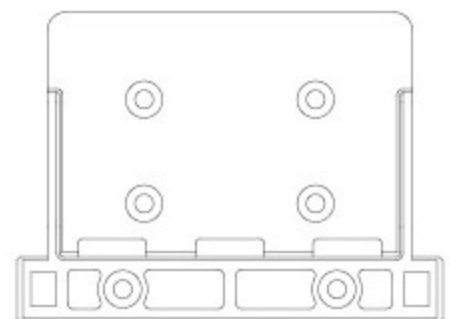
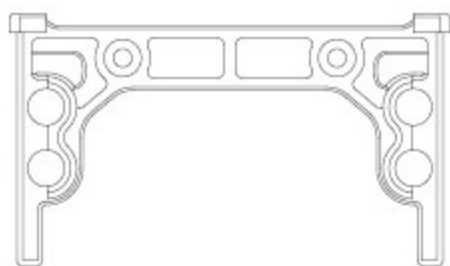
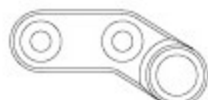
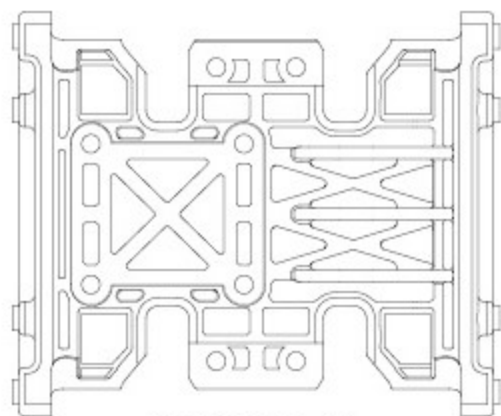
M3×10 screw ×4
圓頭螺絲

M3×14 screw ×4
沉頭螺絲

2×11.8 Shaft ×2
插銷

Lock nut M3 ×6
防鬆螺帽

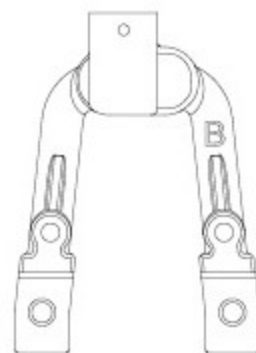
Nut M3 ×2
螺帽

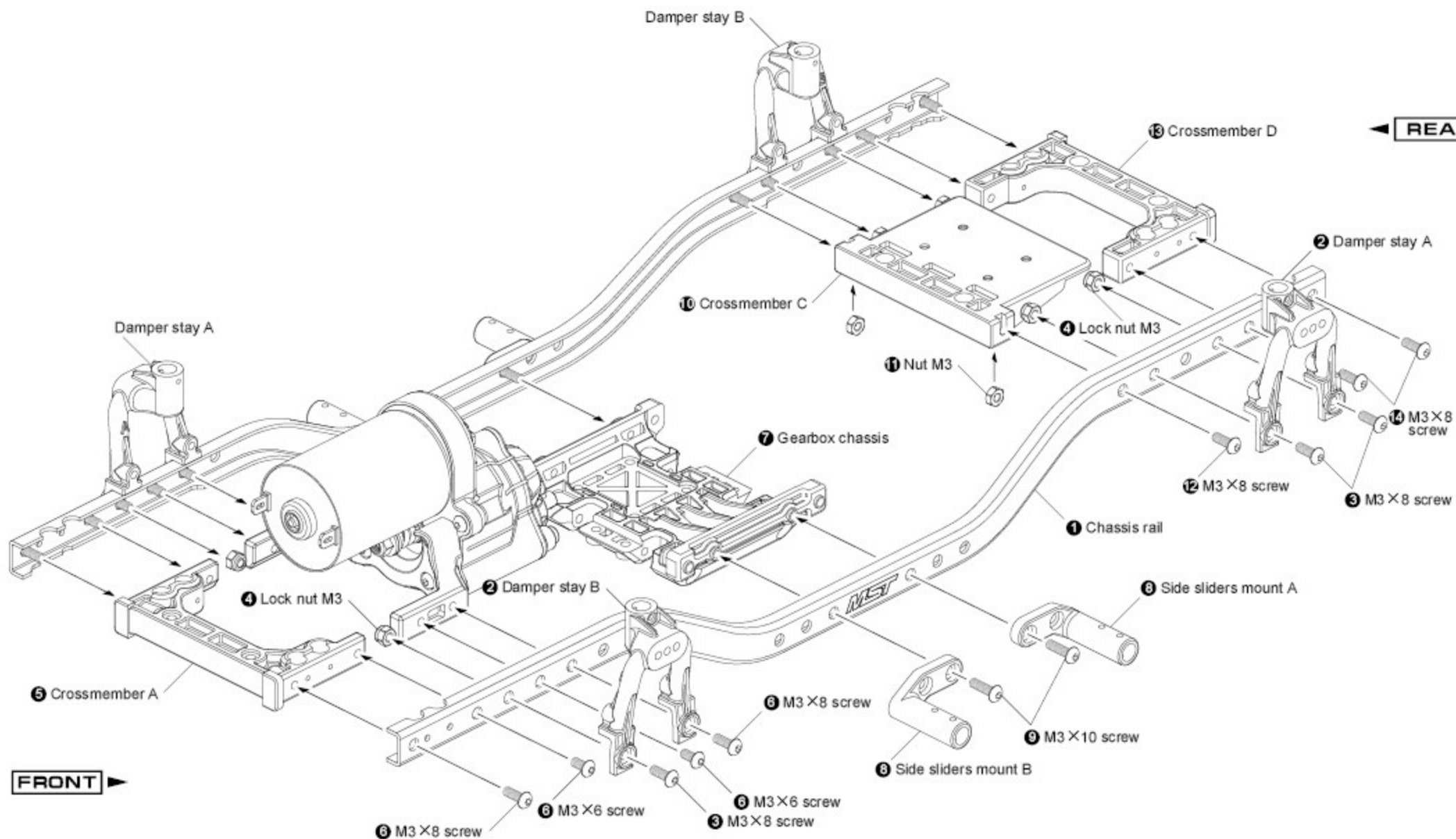


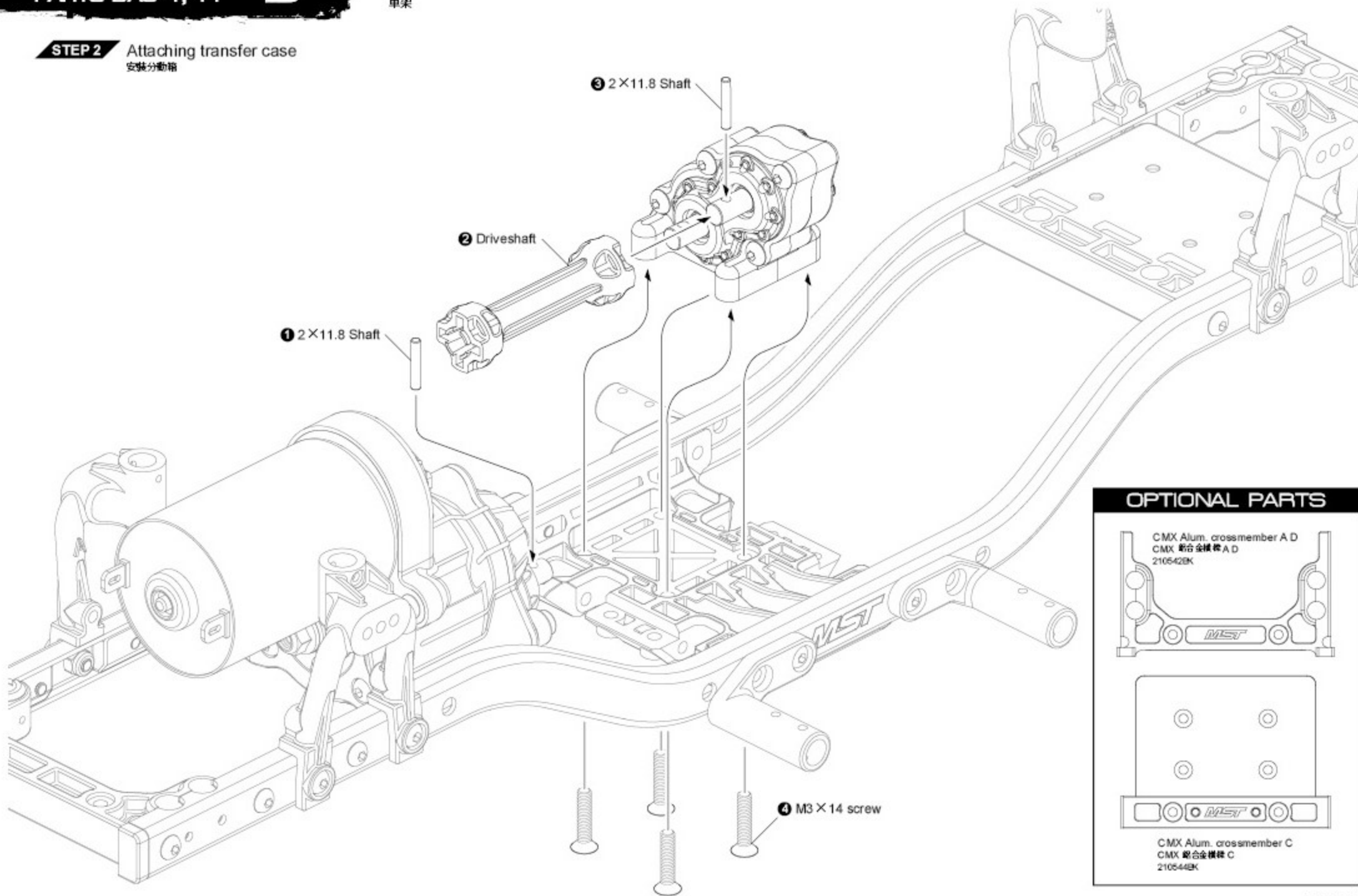
※ Used for STEP 9
保留零件到第9步驟



※ Used for STEP 6
保留零件到第6步驟

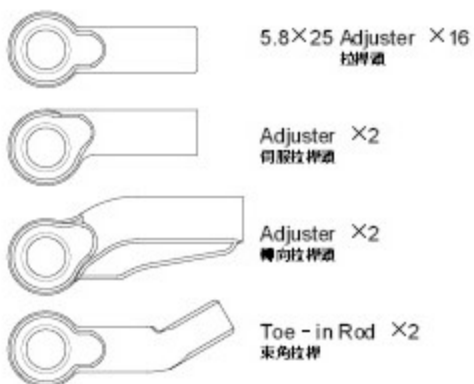
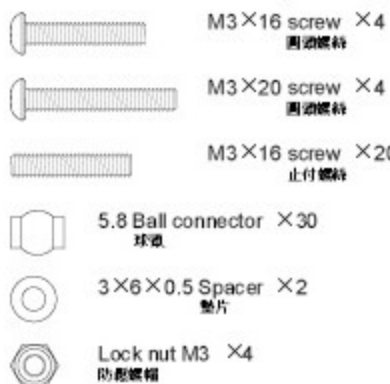
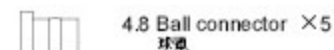




STEP 2 Attaching transfer case
 安裝分動箱


LINKS

拉桿組

Servo mount A ×1
何股機座Servo mount B ×1
何股機座

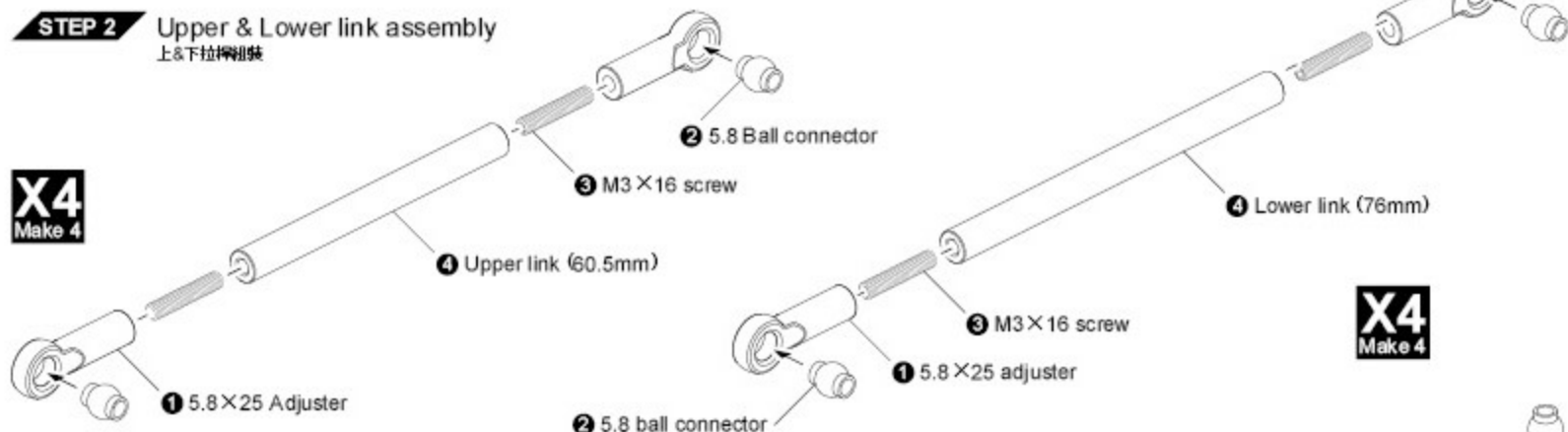
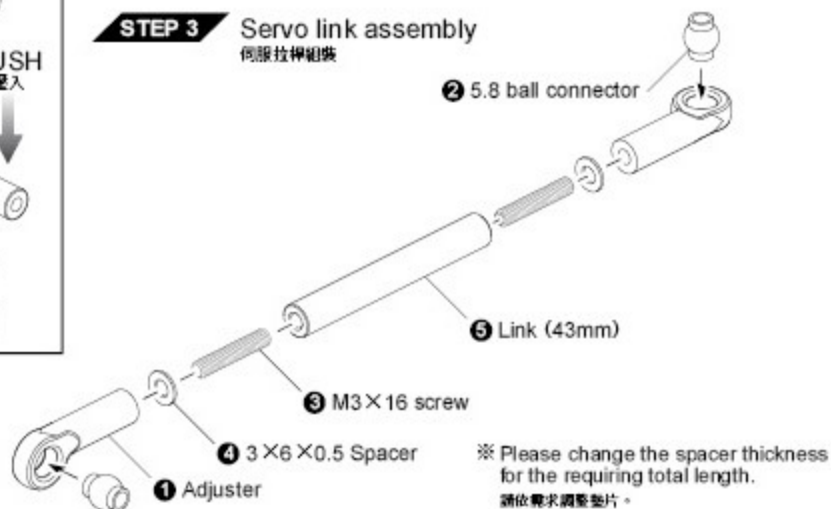
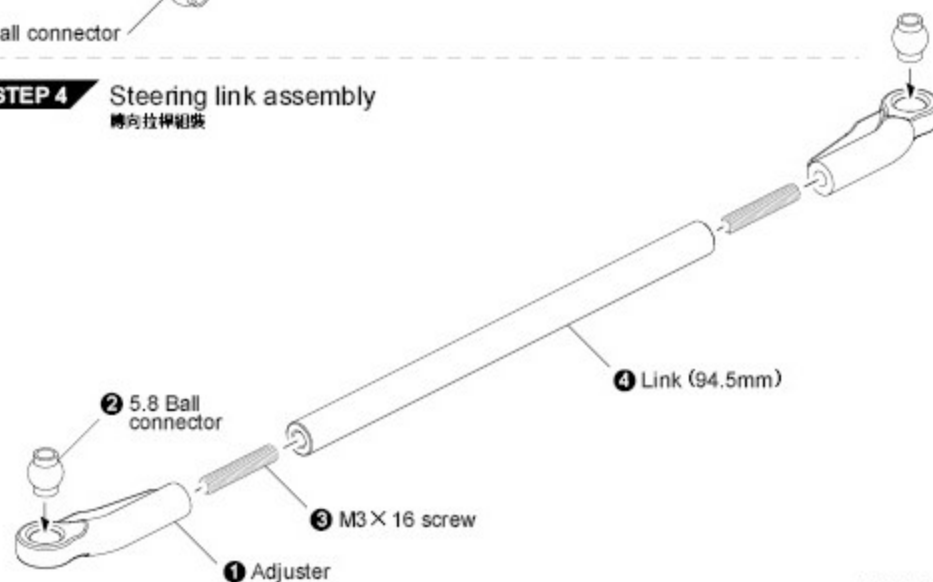
※Used for STEP 7
保留零件到第7步驟

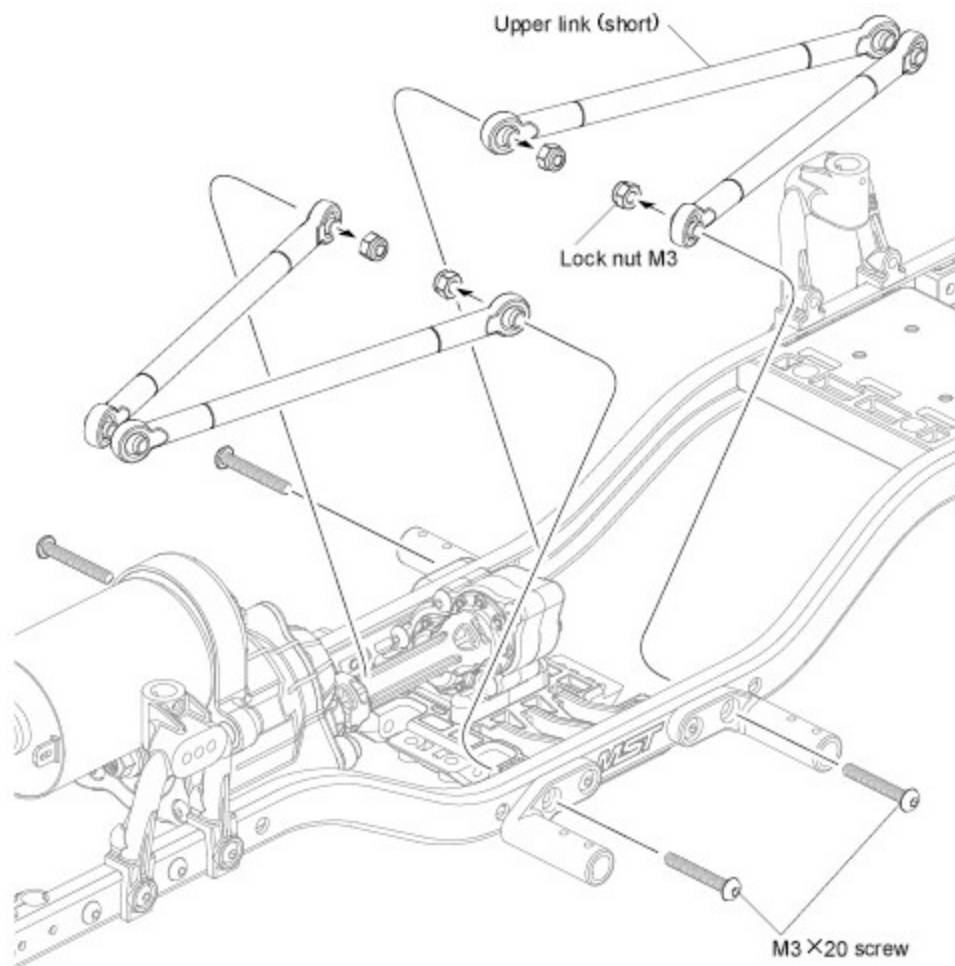
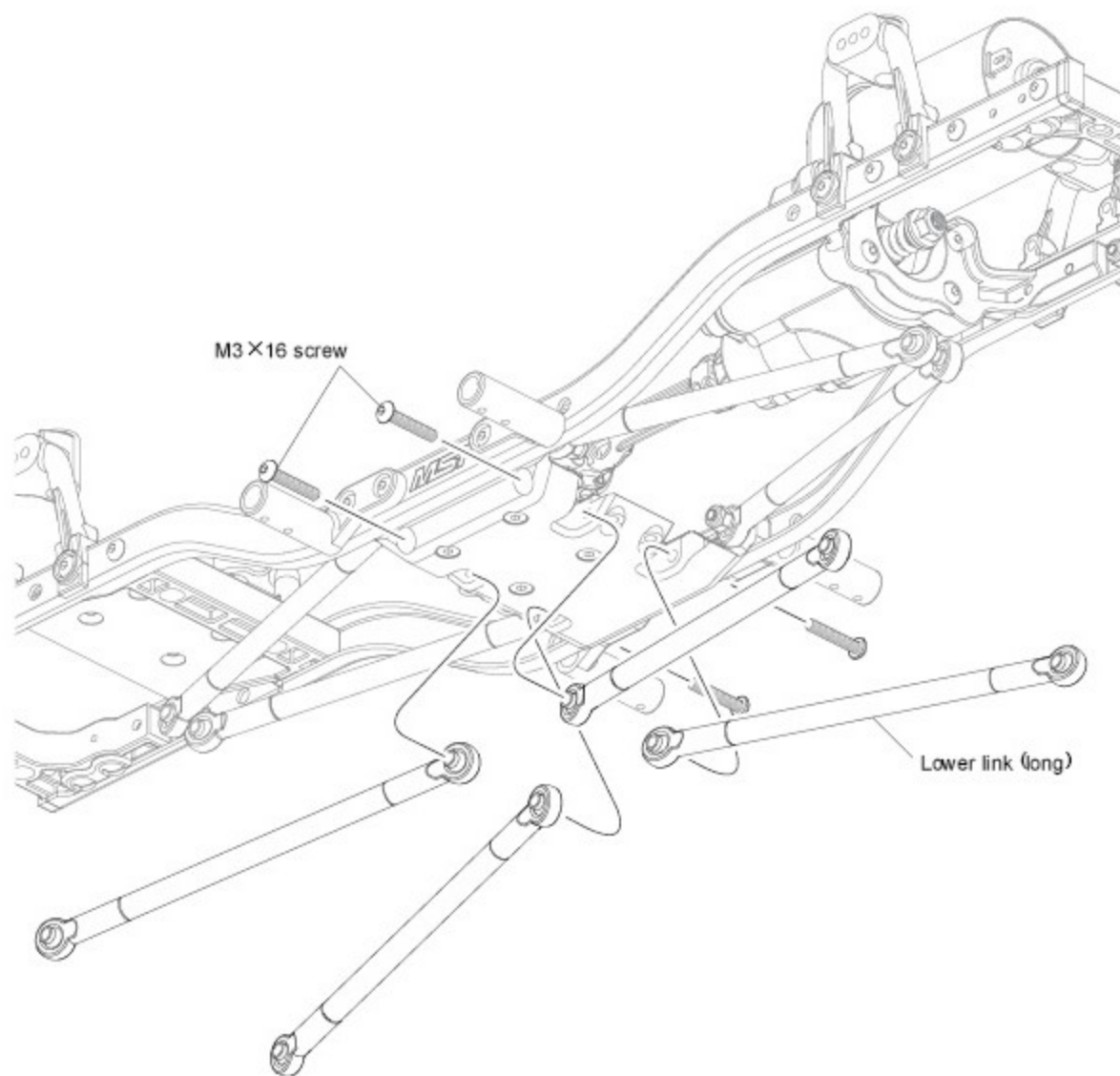


※Used for STEP 8
保留零件到第8步驟

STEP 1 Toe-in Rod assembly
束角拉桿組裝

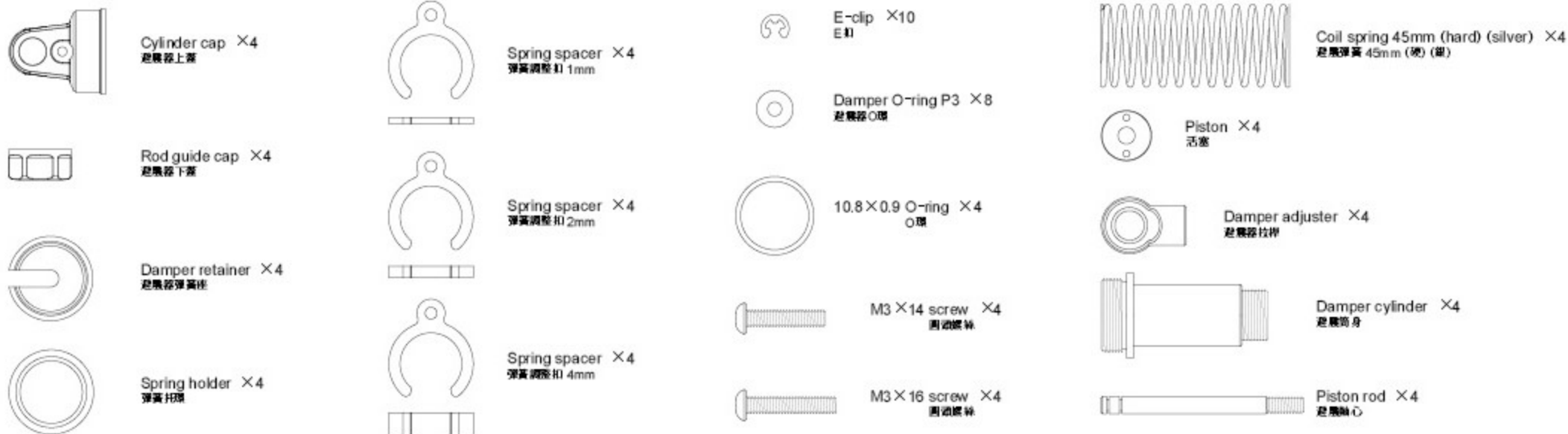
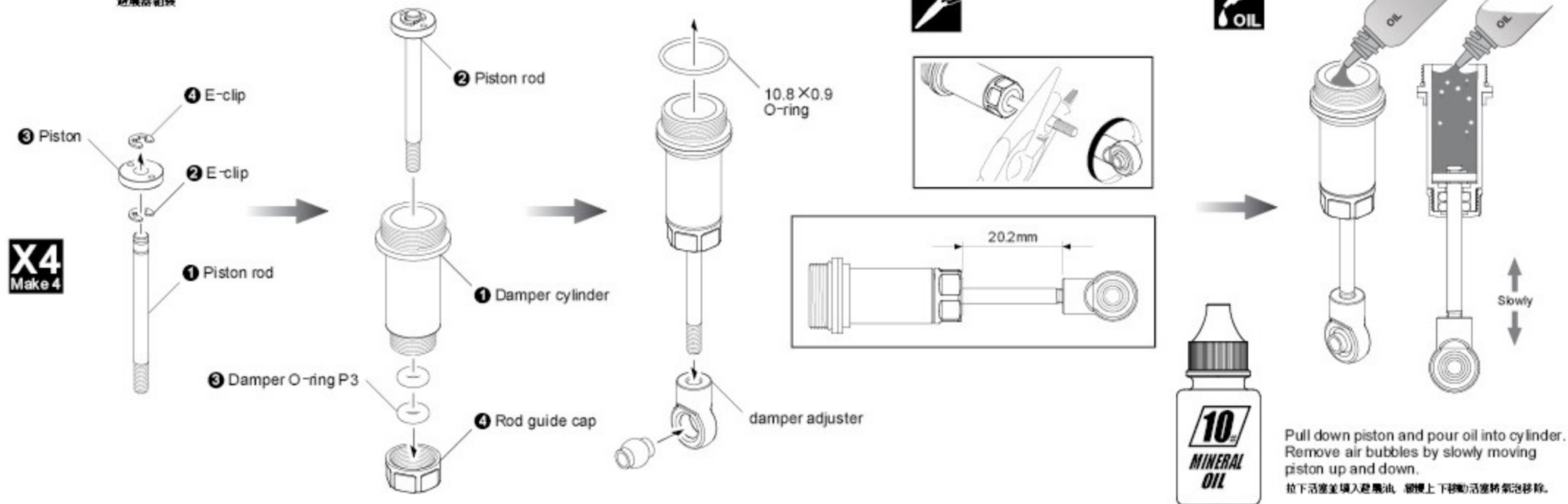
X2
Make 2

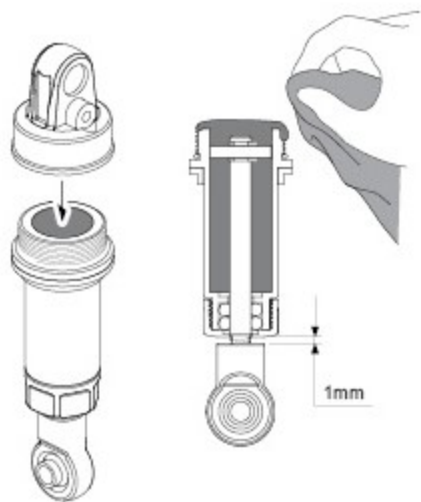
STEP 2 Upper & Lower link assembly
上&下拉桿組裝STEP 3 Servo link assembly
何股拉桿組裝STEP 4 Steering link assembly
轉向拉桿組裝ASSEMBLY TIPS
組裝小技巧PUSH
壓入5.8 Ball connector
5.8 球頭Tools
工具

STEP 5 Attaching upper link
安裝上拉桿**STEP 6** Attaching lower link
安裝下拉桿

DAMPER

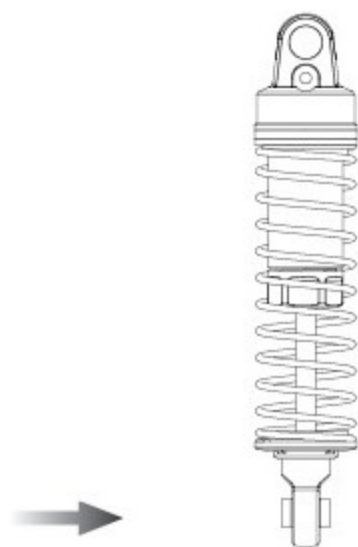
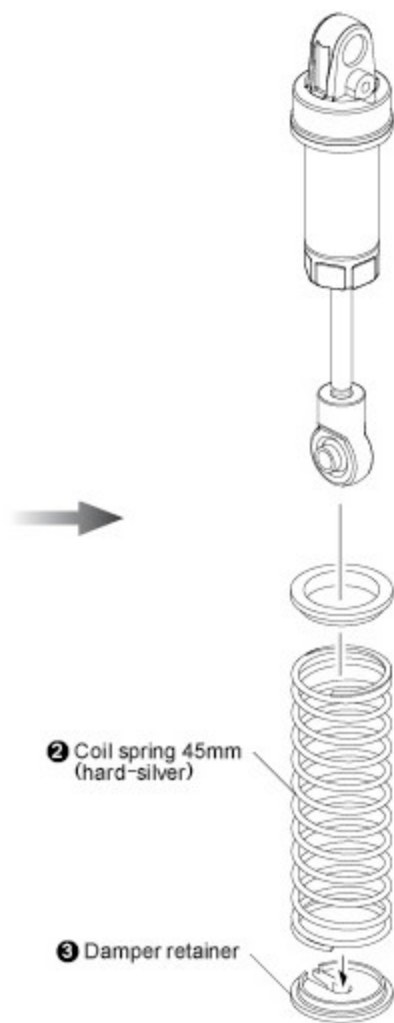
避震器

STEP 1 Damper assembly
避震器組裝

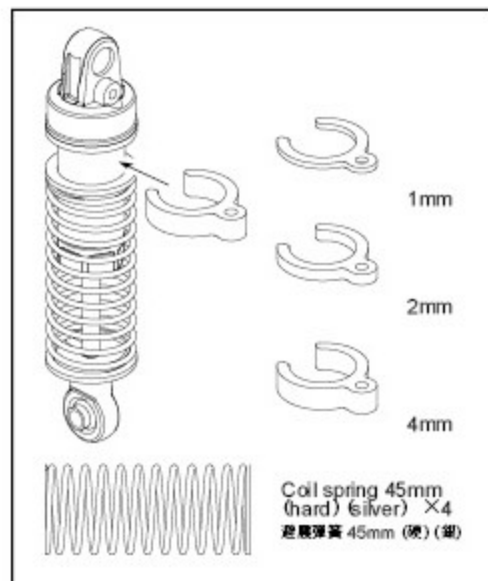
STEP 1 Damper assembly
避震器組裝X4
Make 4

Pull down piston rod 1mm, attach cylinder cap and absorb oil overflow with tissue paper.

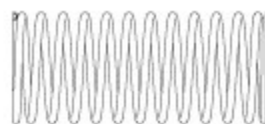
將軸心下拉1mm後，蓋上避震器上蓋並以面紙拭去溢出的油。



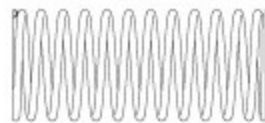
※ Please adjust the spring spacer and spring according to the car height.
請依車高調整彈簧間距和彈簧。



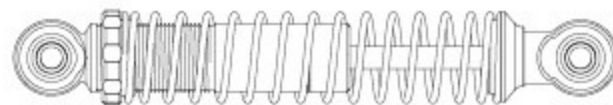
OPTIONAL PARTS



Coil spring 45mm (medium) (gold) (4)
避震彈簧 45mm (中) (金) (4)
210530



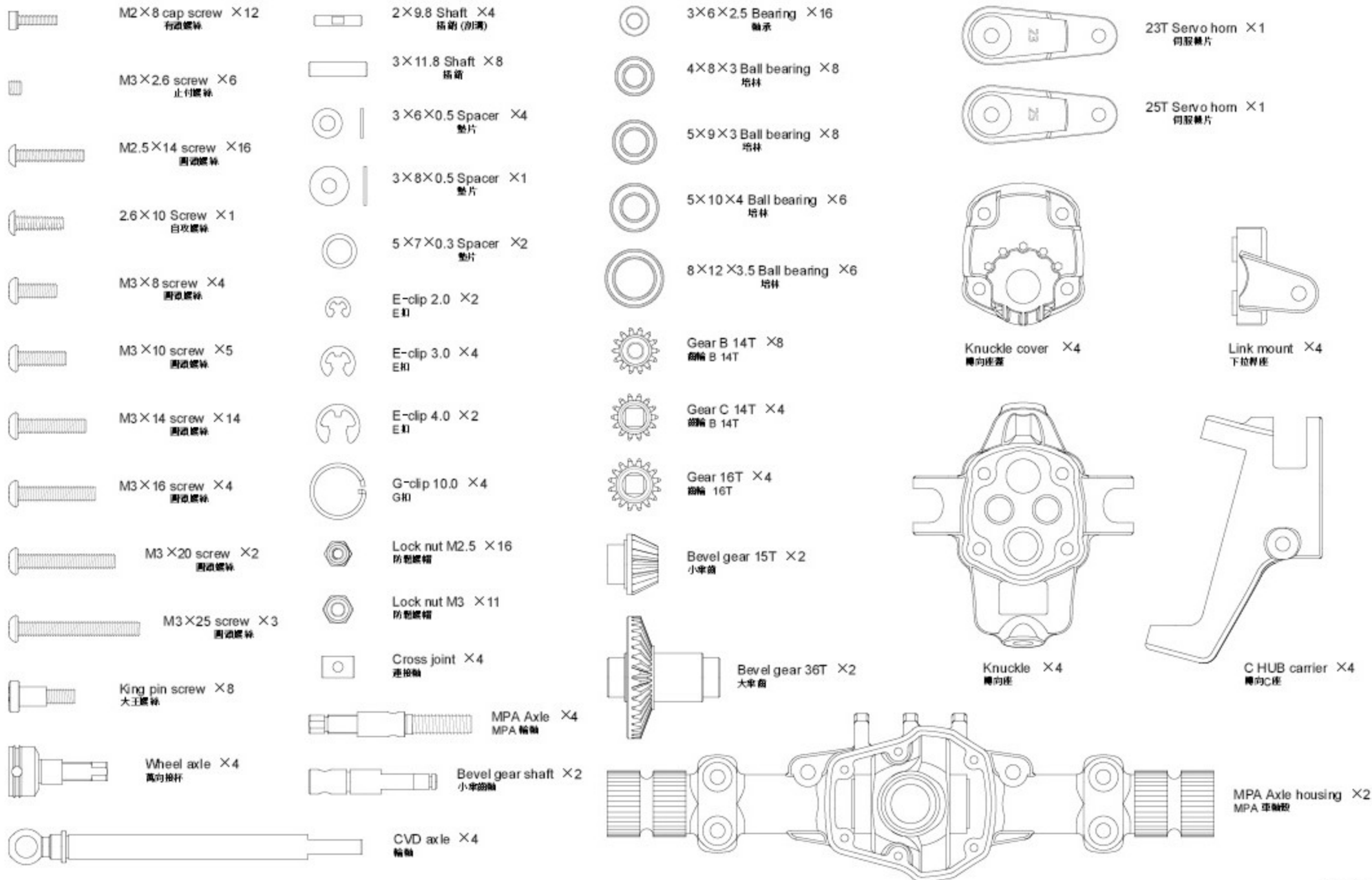
Coil spring 45mm (soft) (red) (4)
避震彈簧 45mm (軟) (紅) (4)
210531

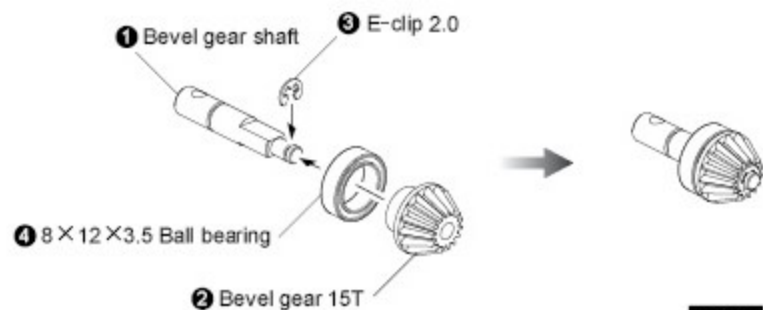
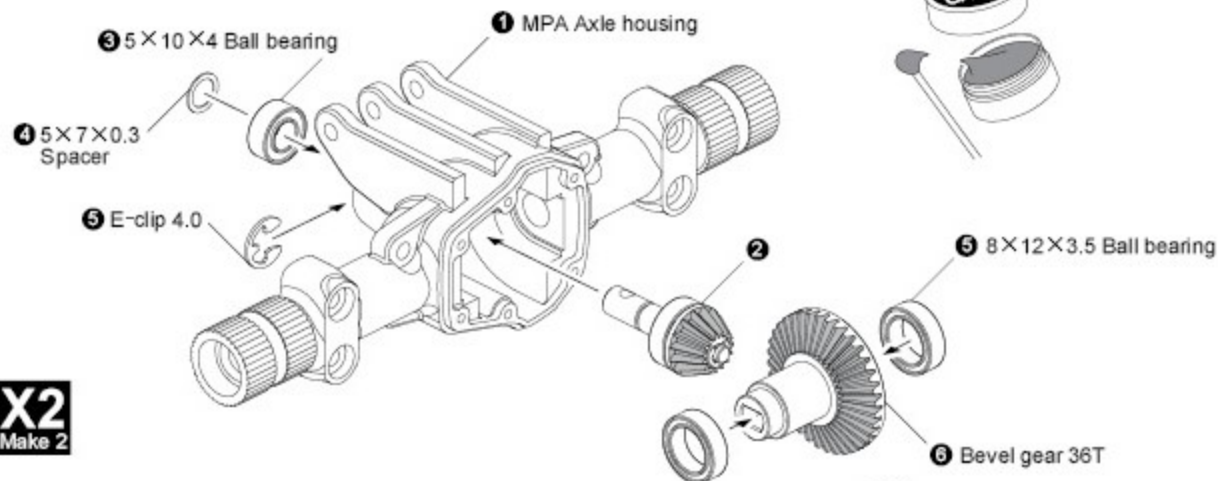
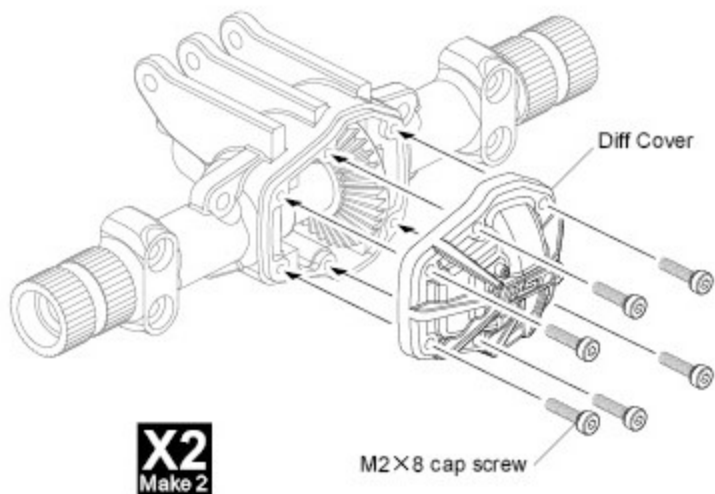
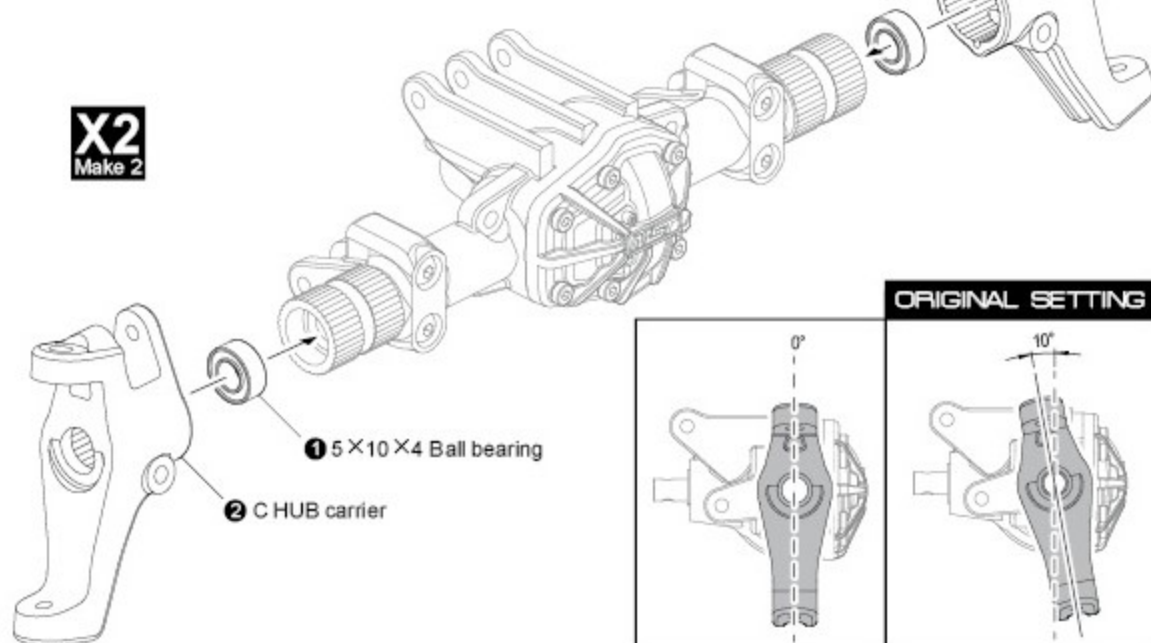
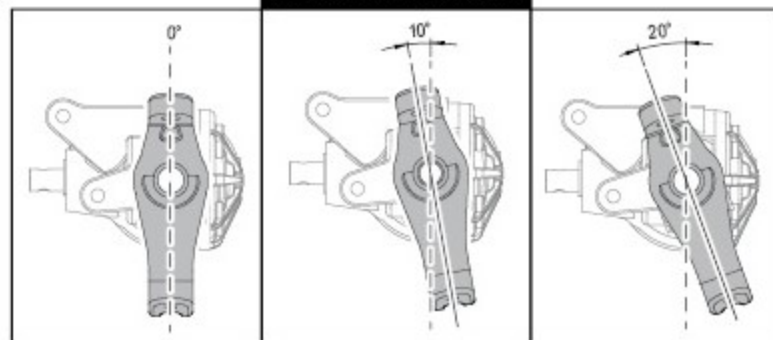


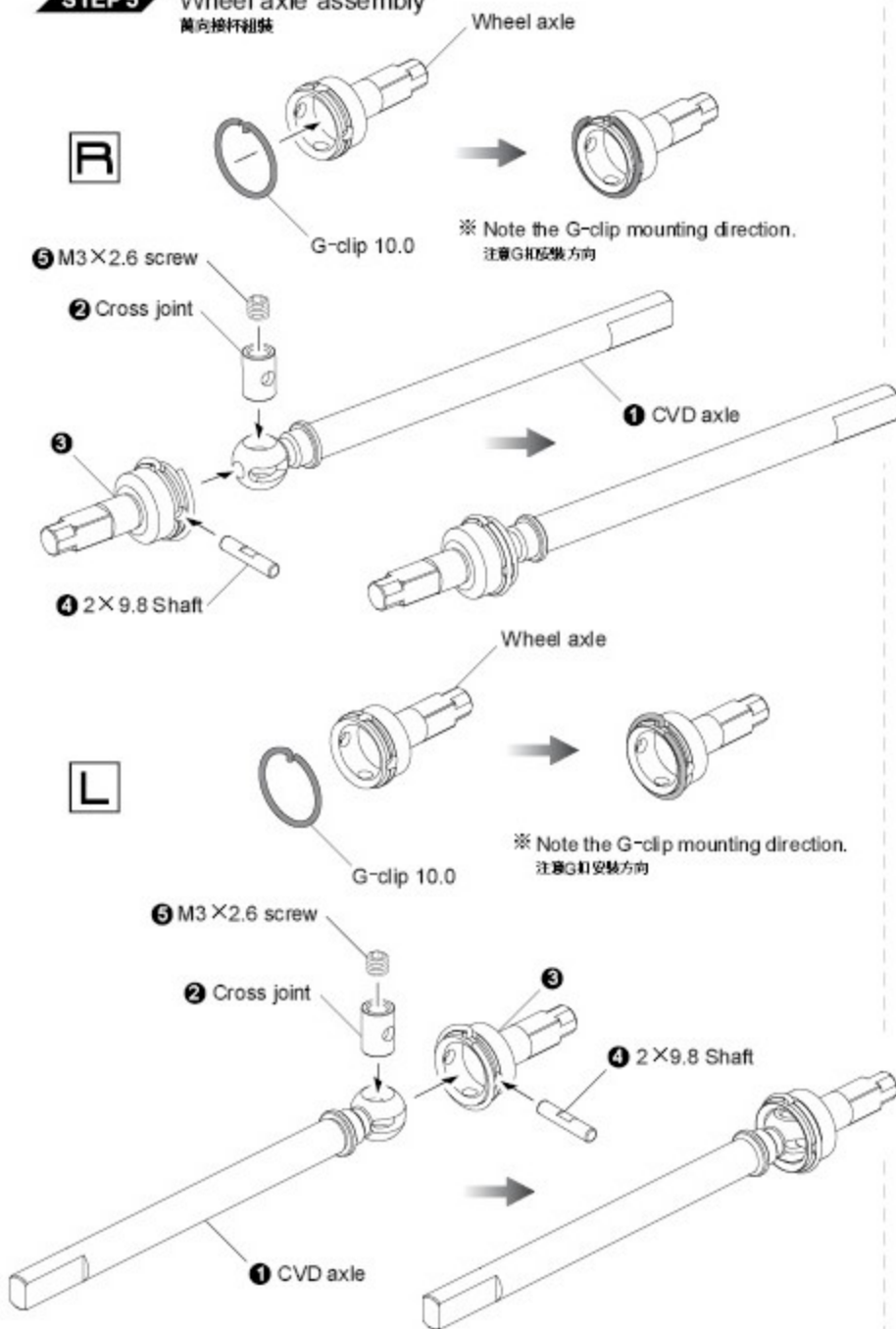
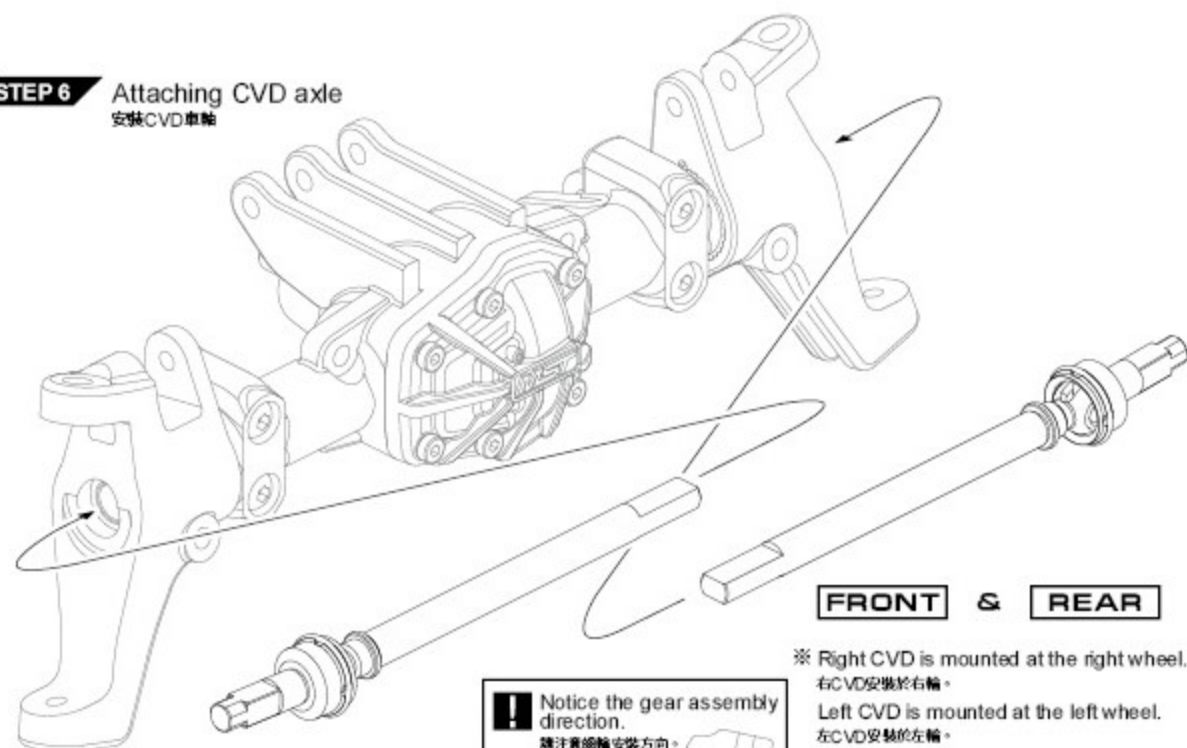
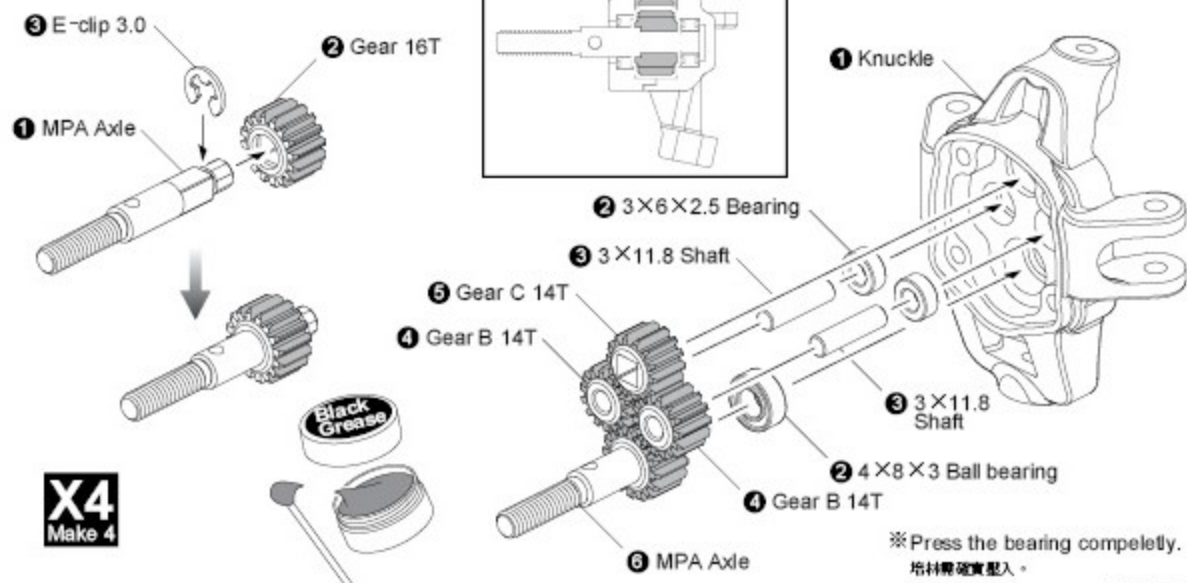
TC70 Alum. shocks (black) (4)
TC70 鋁合金避震器組 (黑) (4)
820116BK

◀ AXLE

車軸



STEP 1 Bevel gear assembly
小傘齒組裝**X2**
Make 2**STEP 2** Attaching bevel gear
安裝傘齒**X2**
Make 2**STEP 3** Attaching diff cover
安裝車軸殼蓋**X2**
Make 2**STEP 4** C HUB carrier assembly
C座組裝**X2**
Make 2**ORIGINAL SETTING**

STEP 5 Wheel axle assembly
萬向接杆組裝**STEP 6** Attaching CVD axle
安裝CVD車軸**STEP 7** Deceleration gear assembly
減速齒組裝

AXLE

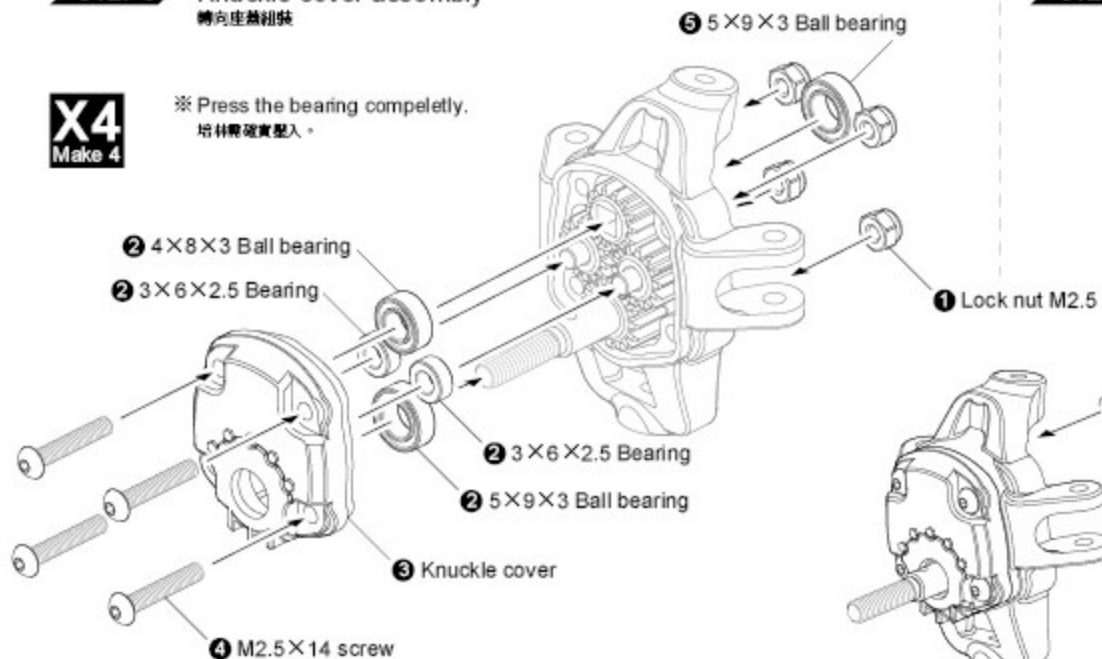
車軸

STEP 8 Knuckle cover assembly

轉向座蓋組裝

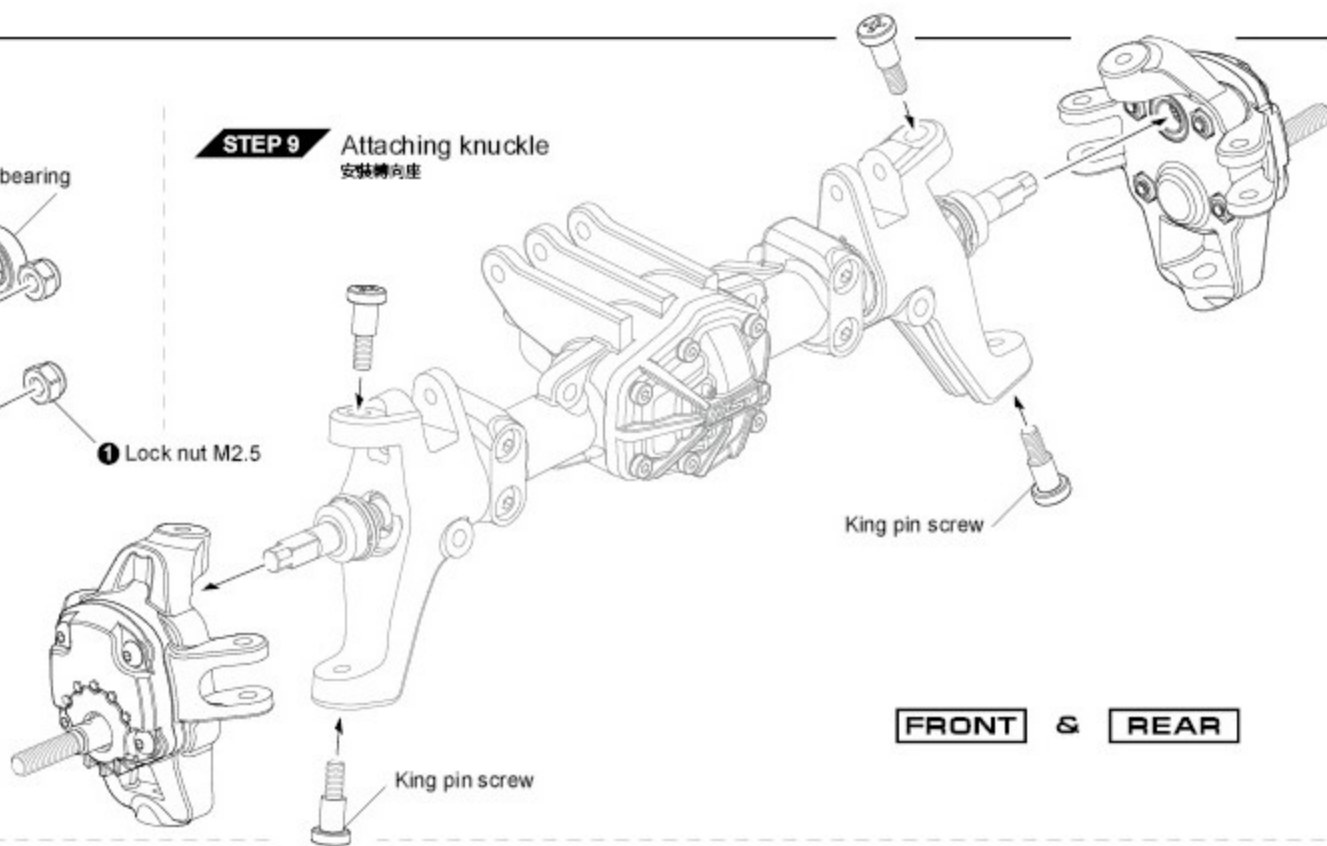
X4
Make 4

※ Press the bearing completely.
培林需確實壓入。



STEP 9 Attaching knuckle

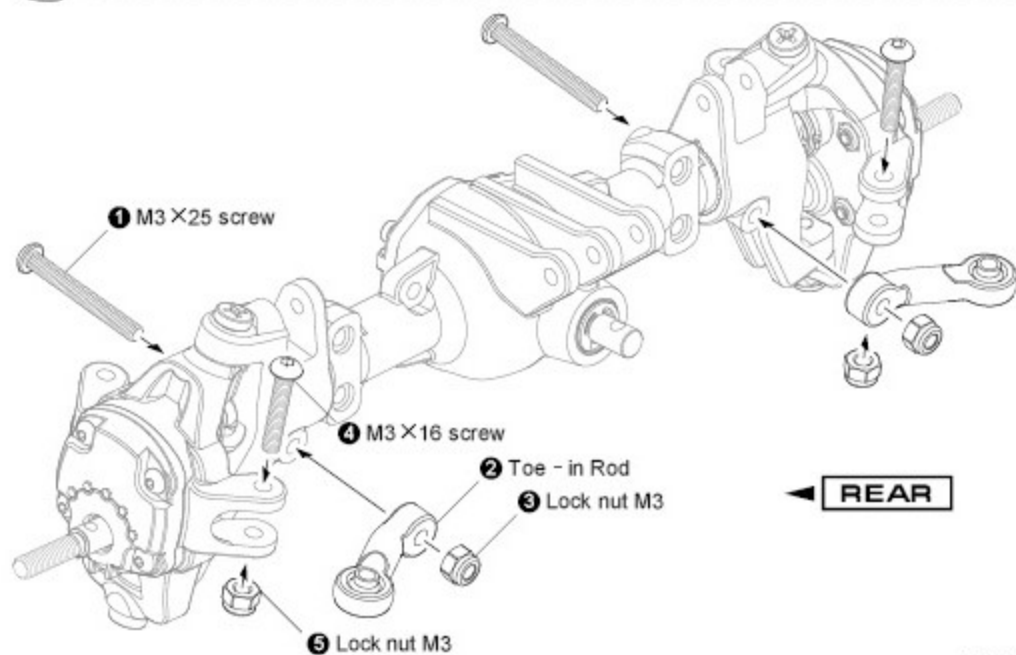
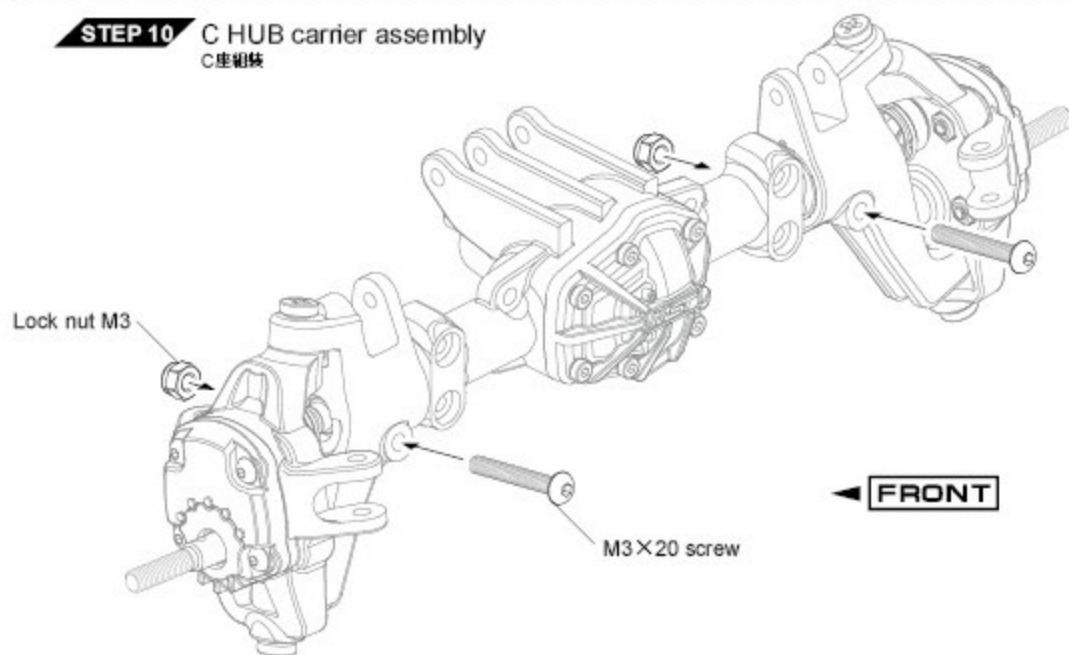
安裝轉向座

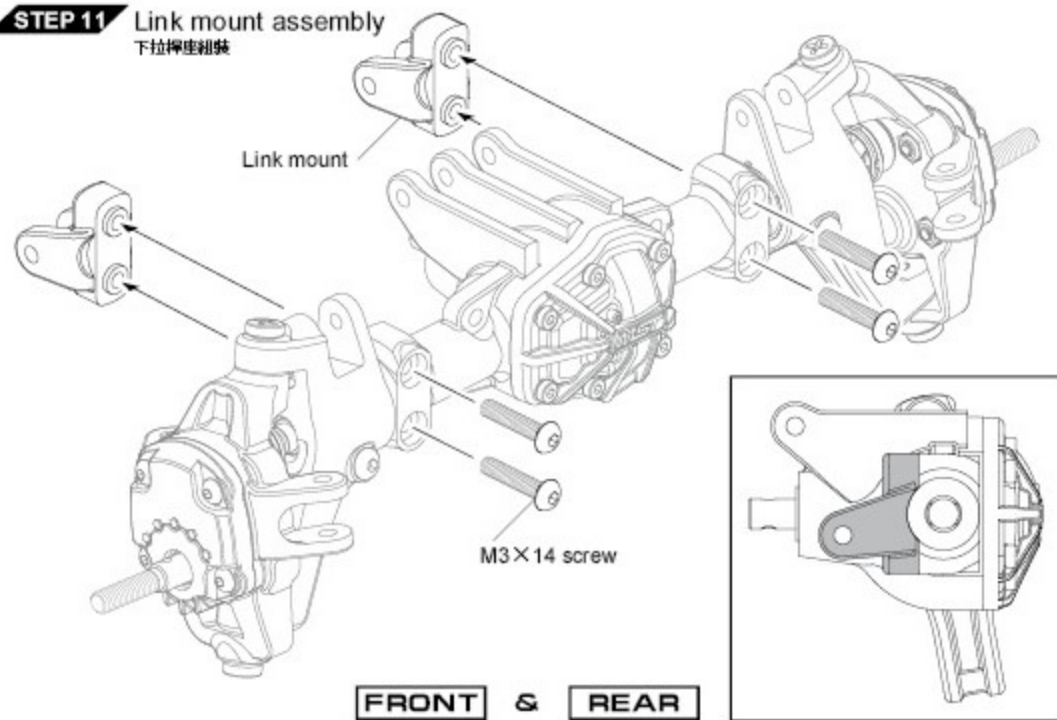
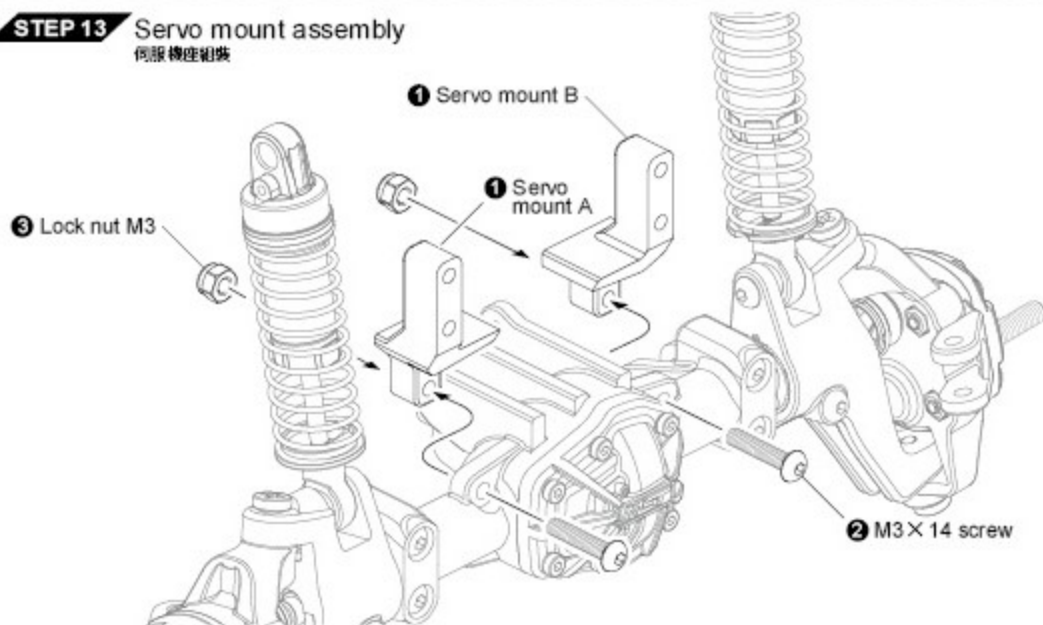
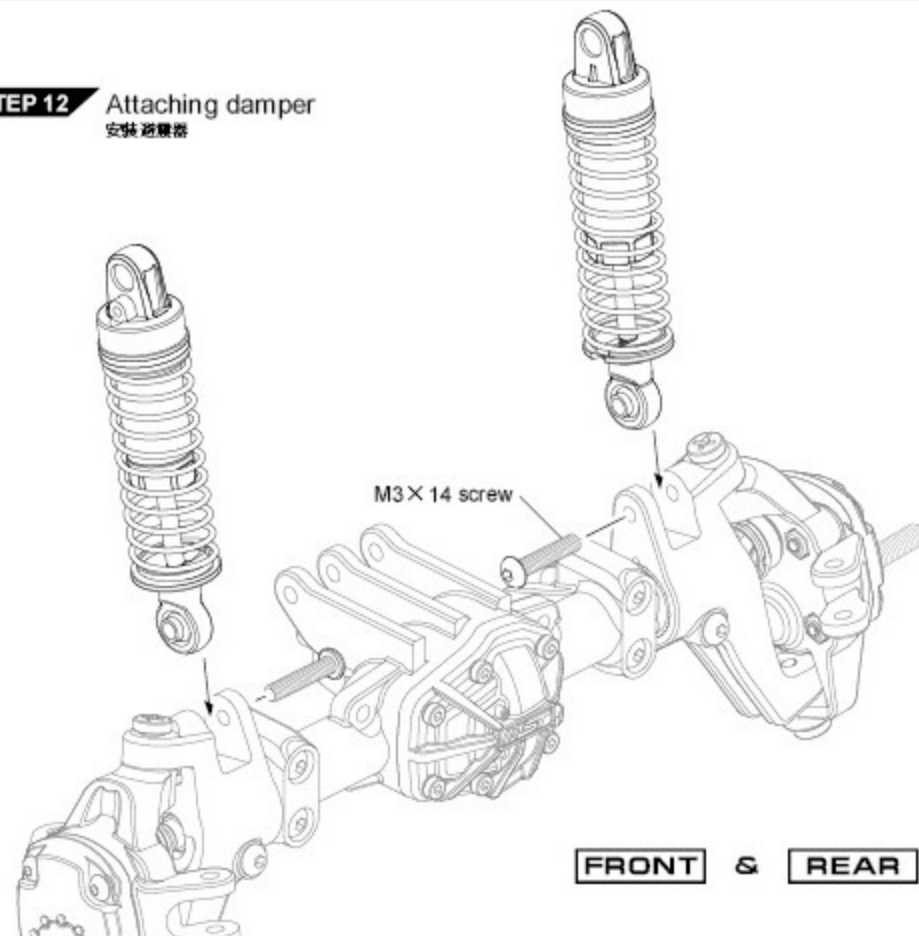
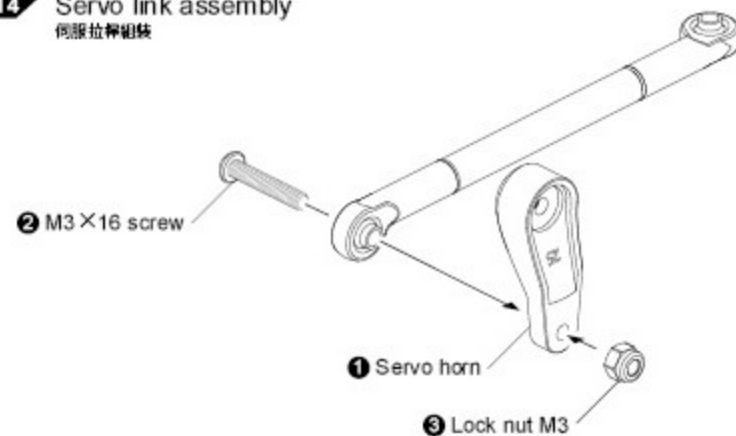


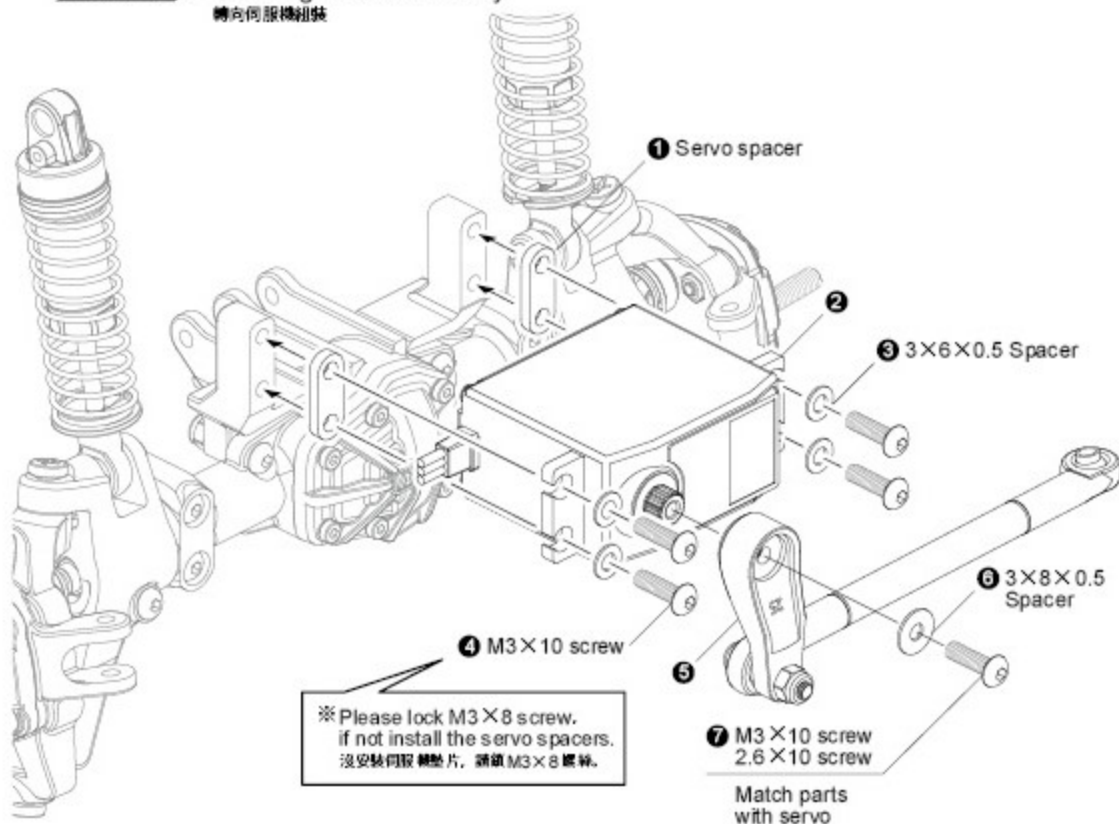
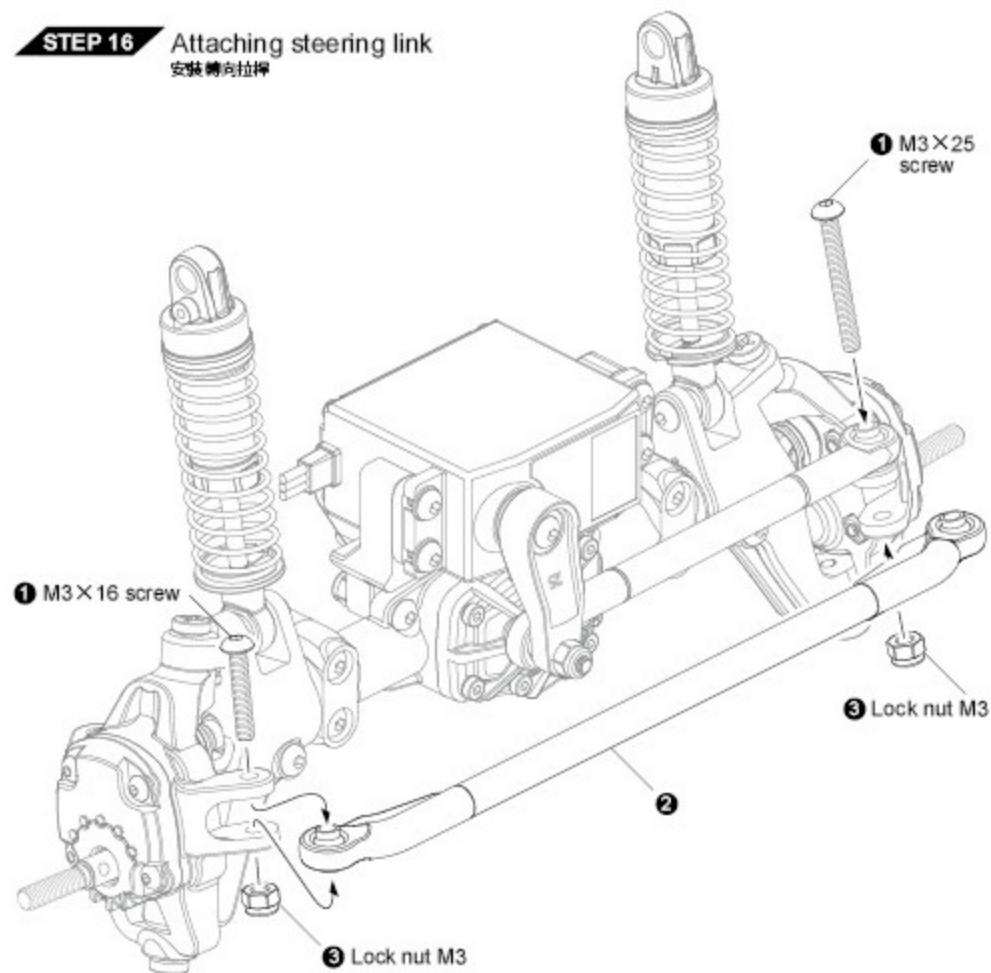
FRONT & **REAR**

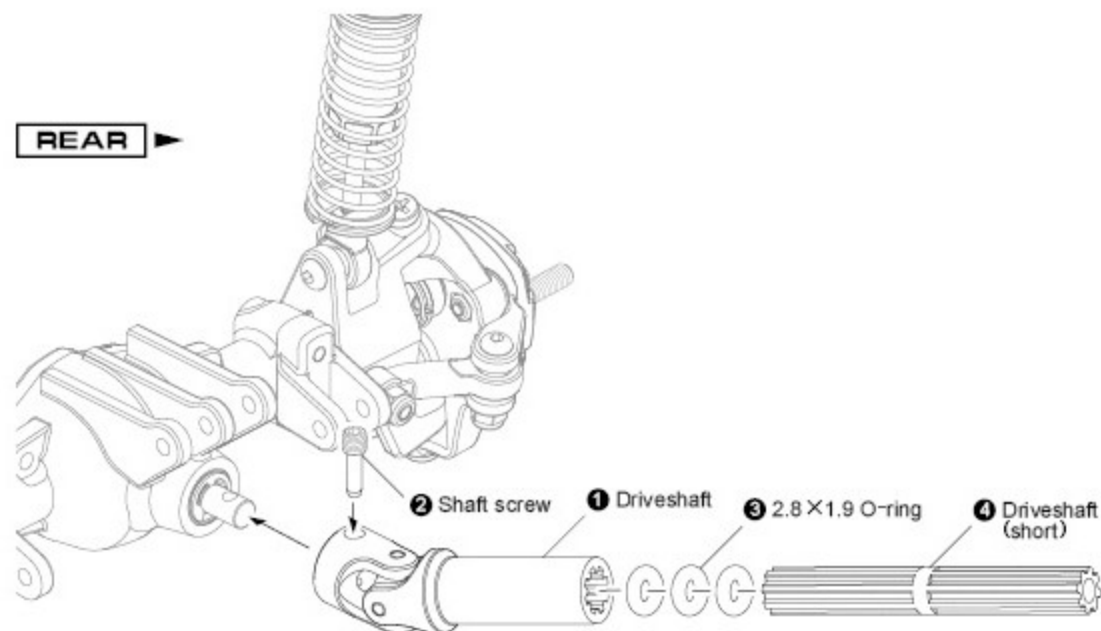
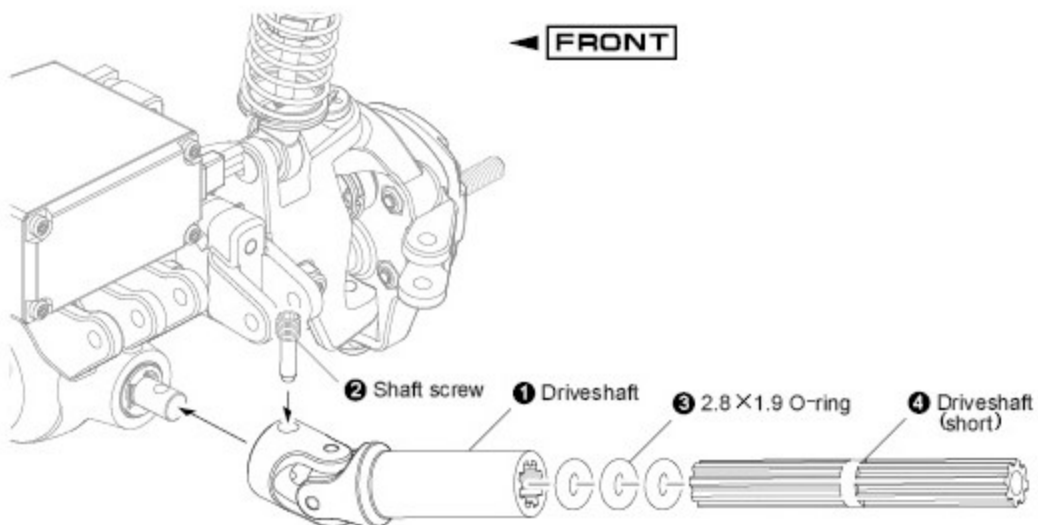
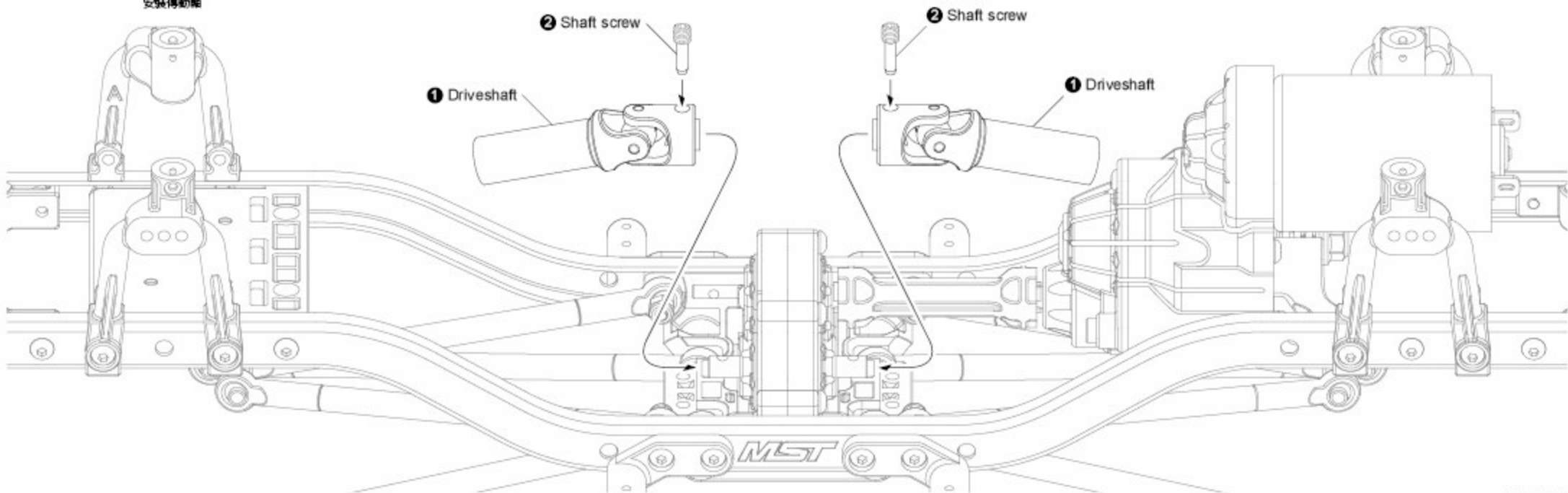
STEP 10 C HUB carrier assembly

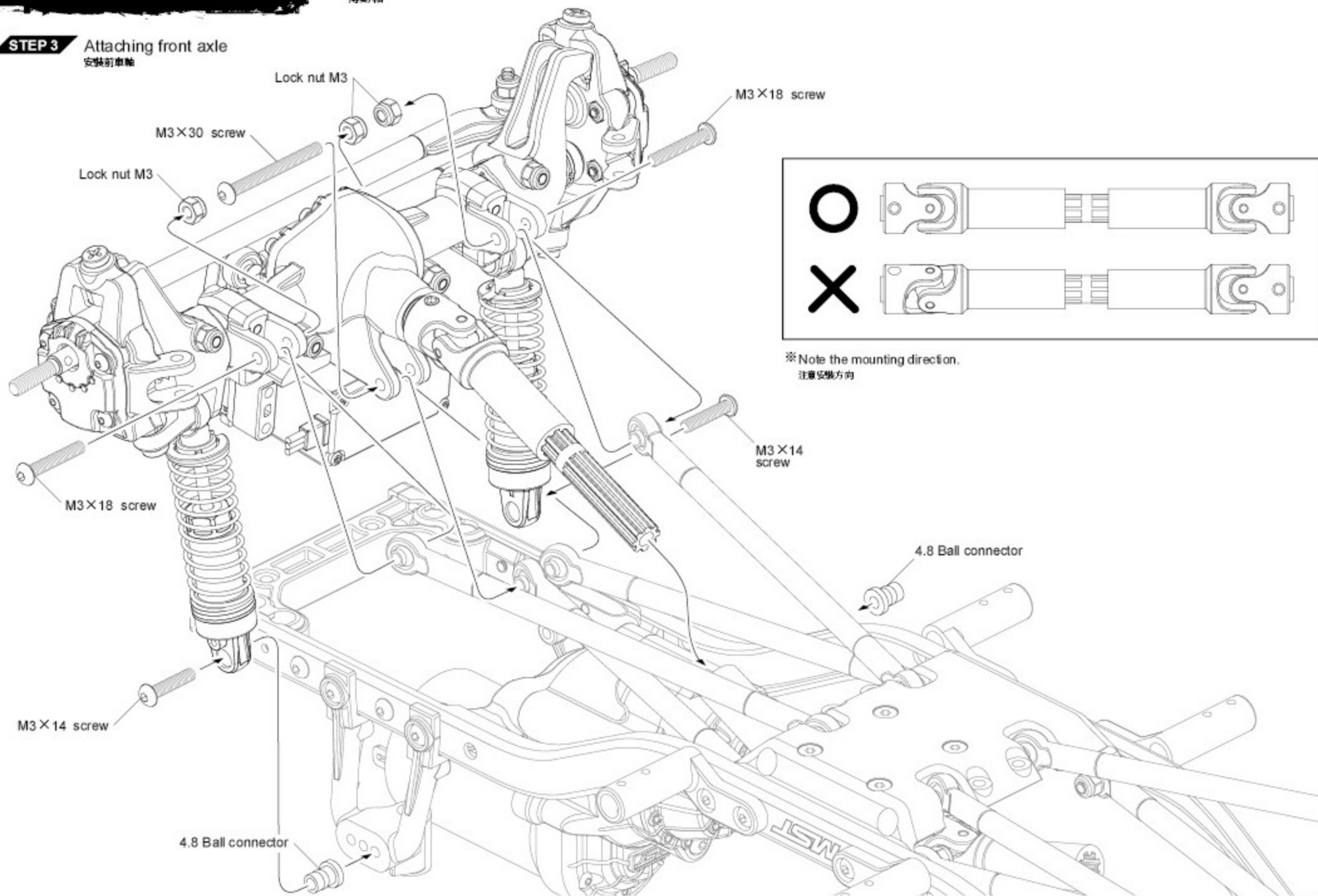
C座組裝

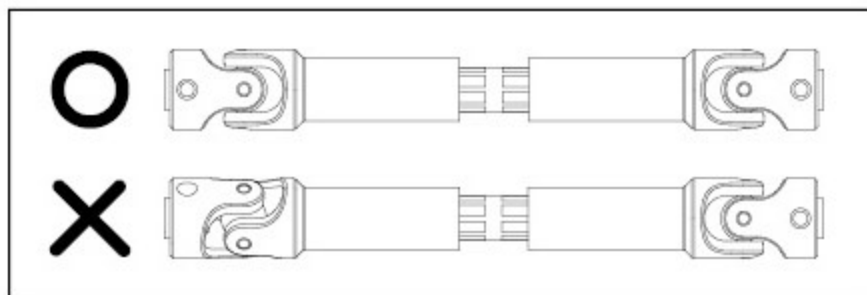


STEP 11 Link mount assembly
下拉桿組裝**STEP 13** Servo mount assembly
伺服機組裝**STEP 12** Attaching damper
安裝避震器**STEP 14** Servo link assembly
伺服拉桿組裝

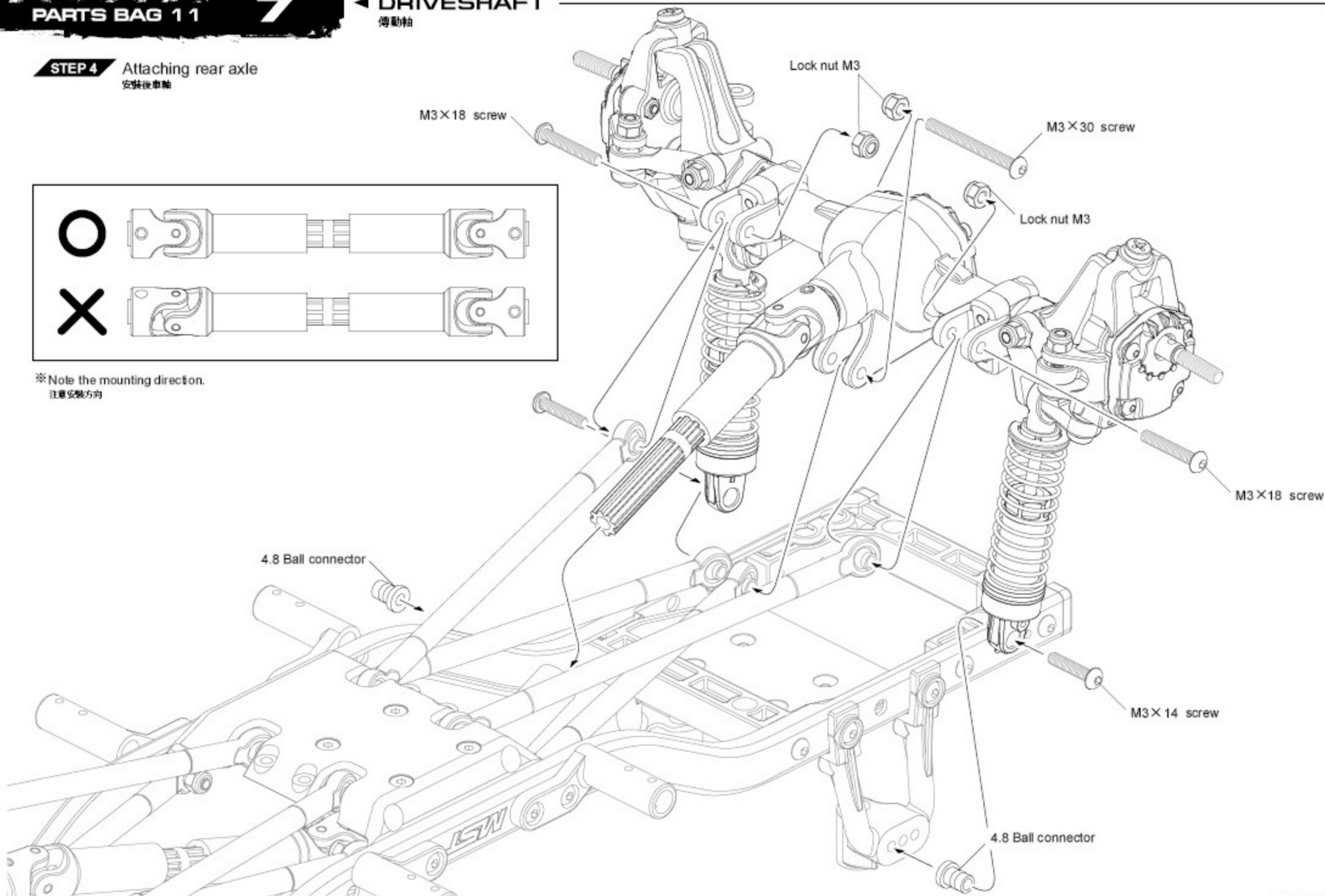
STEP 15 Steering servo assembly
轉向伺服機組裝STEP 16 Attaching steering link
安裝轉向拉桿M3×14 screw ×4
圓頭螺絲M3×18 screw ×4
圓頭螺絲M3×30 screw ×2
圓頭螺絲Shaft screw ×4
銷釘螺絲Lock nut M3 ×6
防鬆螺帽2.8×1.9 O-ring ×6
O環Driveshaft ×4
傳動軸Driveshaft (short) ×2
傳動軸

STEP 1 Attaching driveshaft
安裝傳動軸**STEP 2** Attaching driveshaft
安裝傳動軸

STEP 3 Attaching front axle
安裝前車軸

STEP 4 Attaching rear axle
安裝後車軸

※ Note the mounting direction.
注意安裝方向



M2×10 screw ×10
圓頭螺絲



Lock nut M3 ×4
防鬆螺帽

M3×12 screw ×3
圓頭螺絲



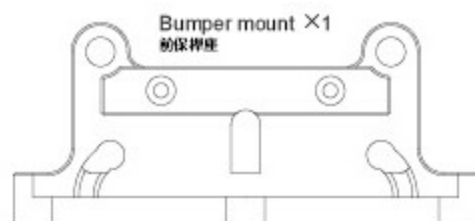
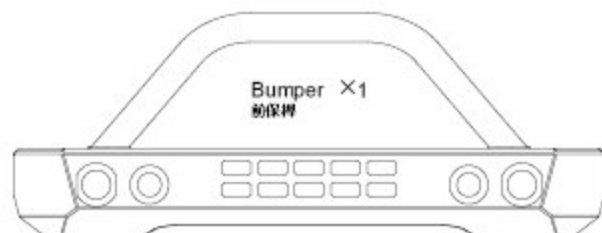
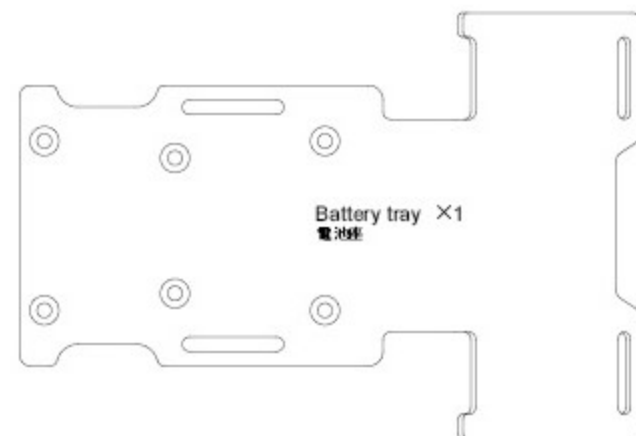
3×6×4 Spacer ×2
墊片

M3×20 screw ×2
圓頭螺絲

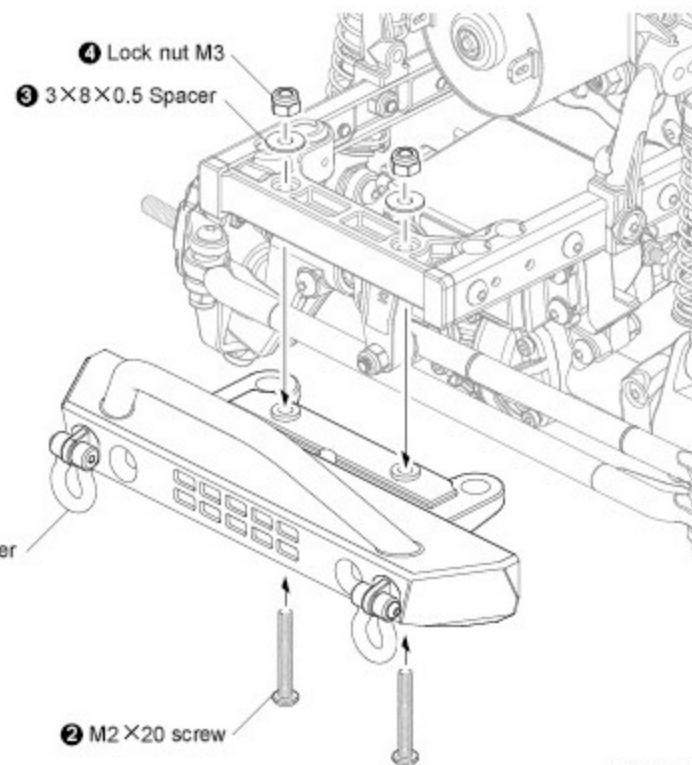
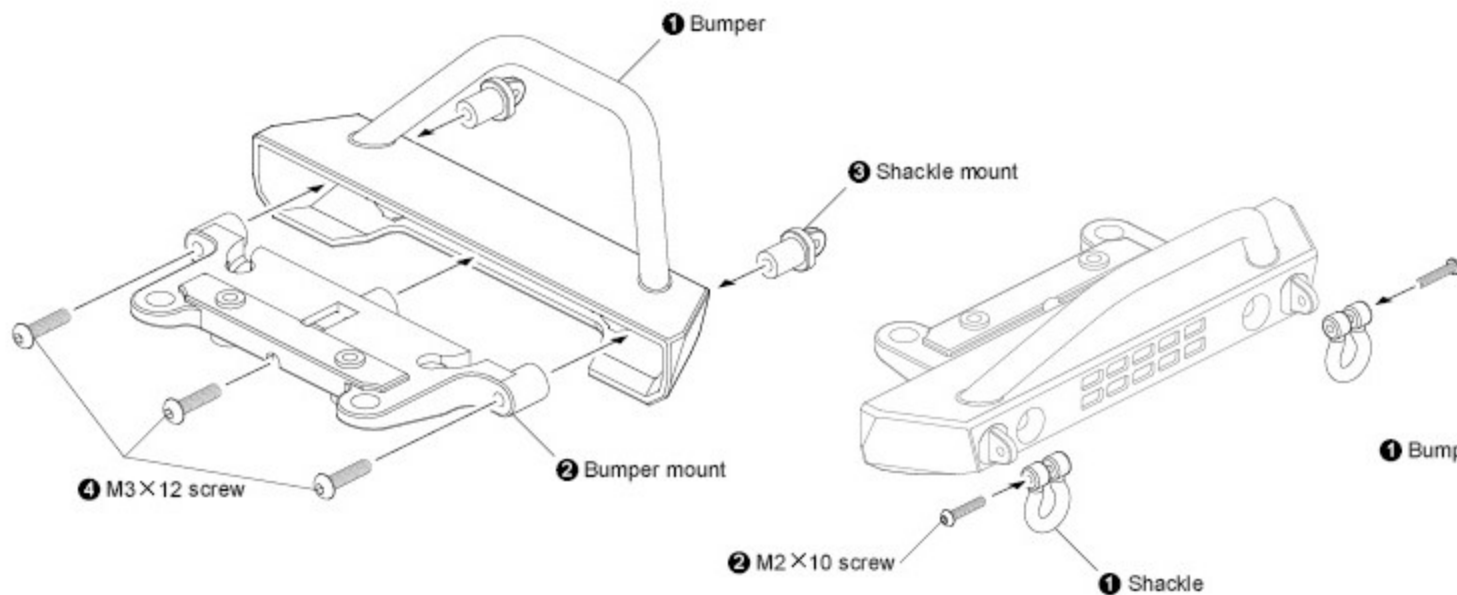


3×8×0.5 Spacer ×2
墊片

M3×16 screw ×2
沉頭螺絲



STEP 1 Bumper assembly
防撞桿組裝



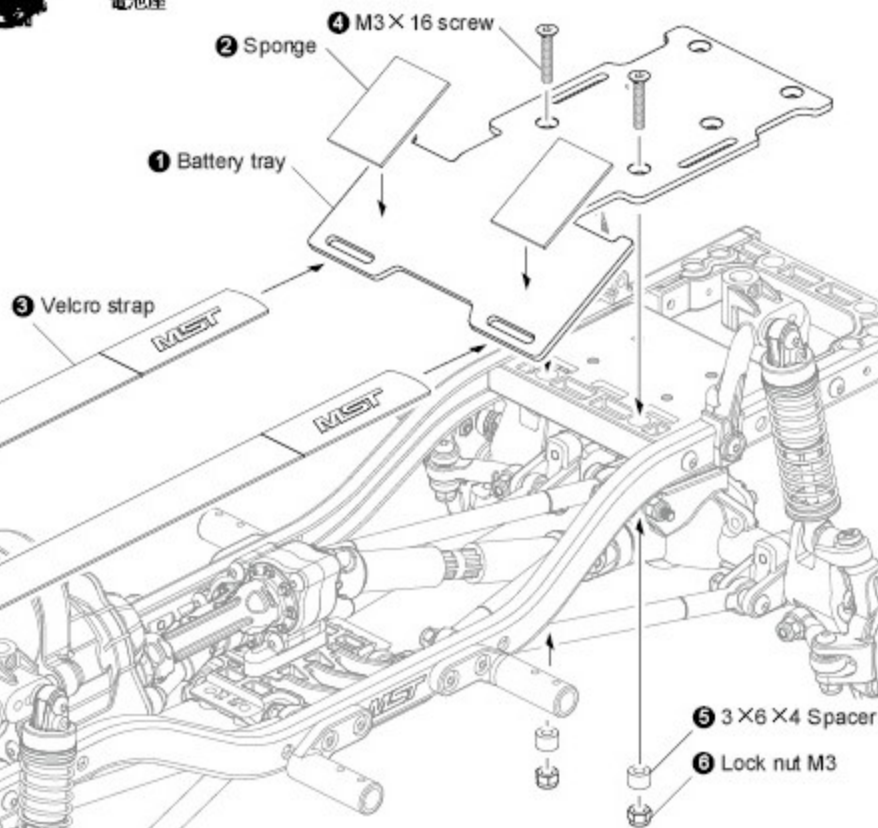
BATTERY MOUNT

電池座

STEP 1 Attaching battery tray
安裝電池托盤

20×80 Sponge

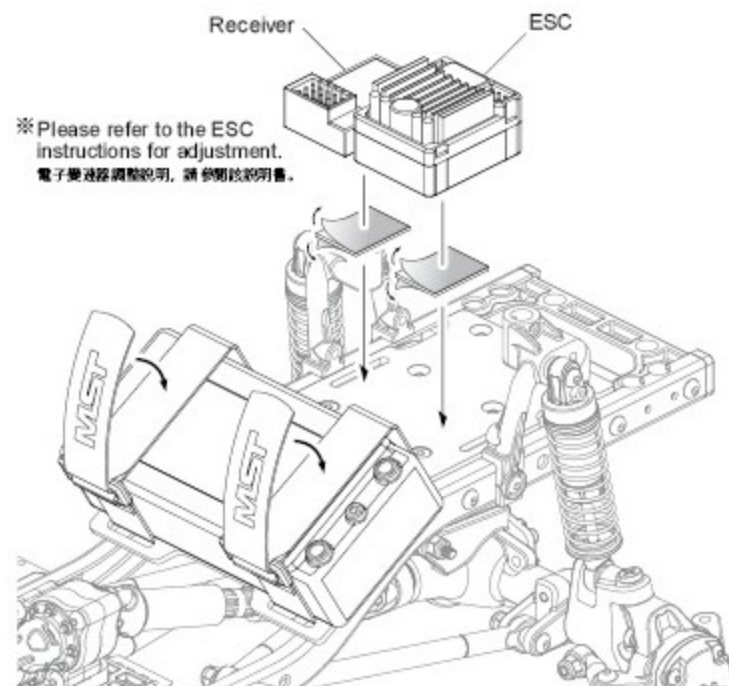
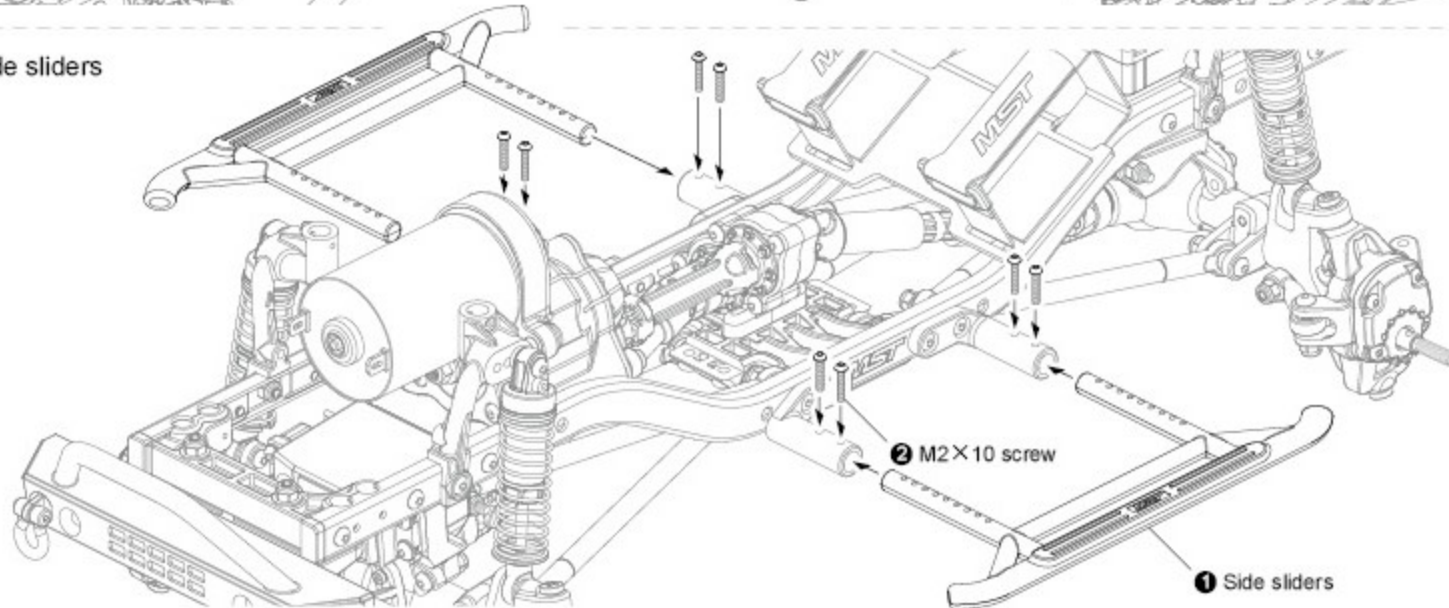
20×30 Sponge

STEP 2 Attaching ESC、receiver
安裝電子變速器、接收機

Receiver

ESC

※ Please refer to the ESC instructions for adjustment.
電子變速器調整說明，請參閱該說明書。

STEP 3 Attaching side sliders
安裝側制動板

2X9.8 Shaft ×4
插銷

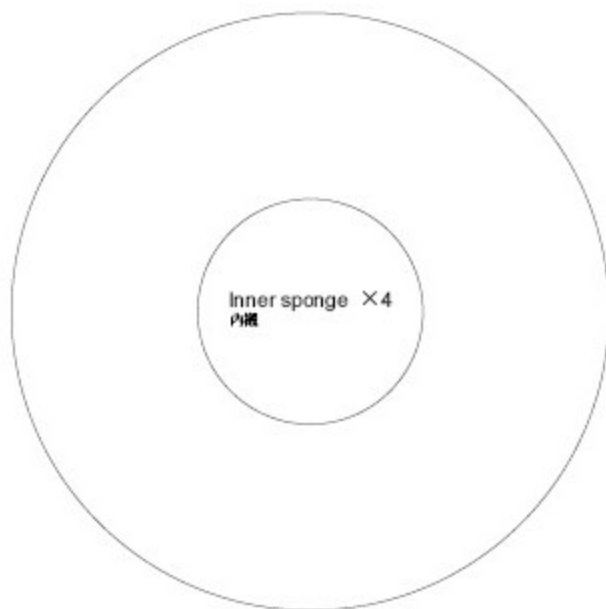


Lock nut M4 ×4
防鬆螺帽



Wheel ×4
輪胎

※ Please make the object
as the standard.
請以實物為主。

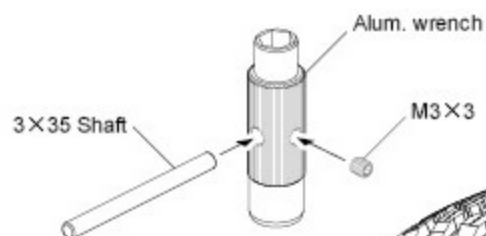


Inner sponge ×4
內襯



MG Crawler Tire ×4
MG 攀岩胎

STEP 1 Assemble tire and wheel
胎框組合



1 MG Tire



2 Inner sponge



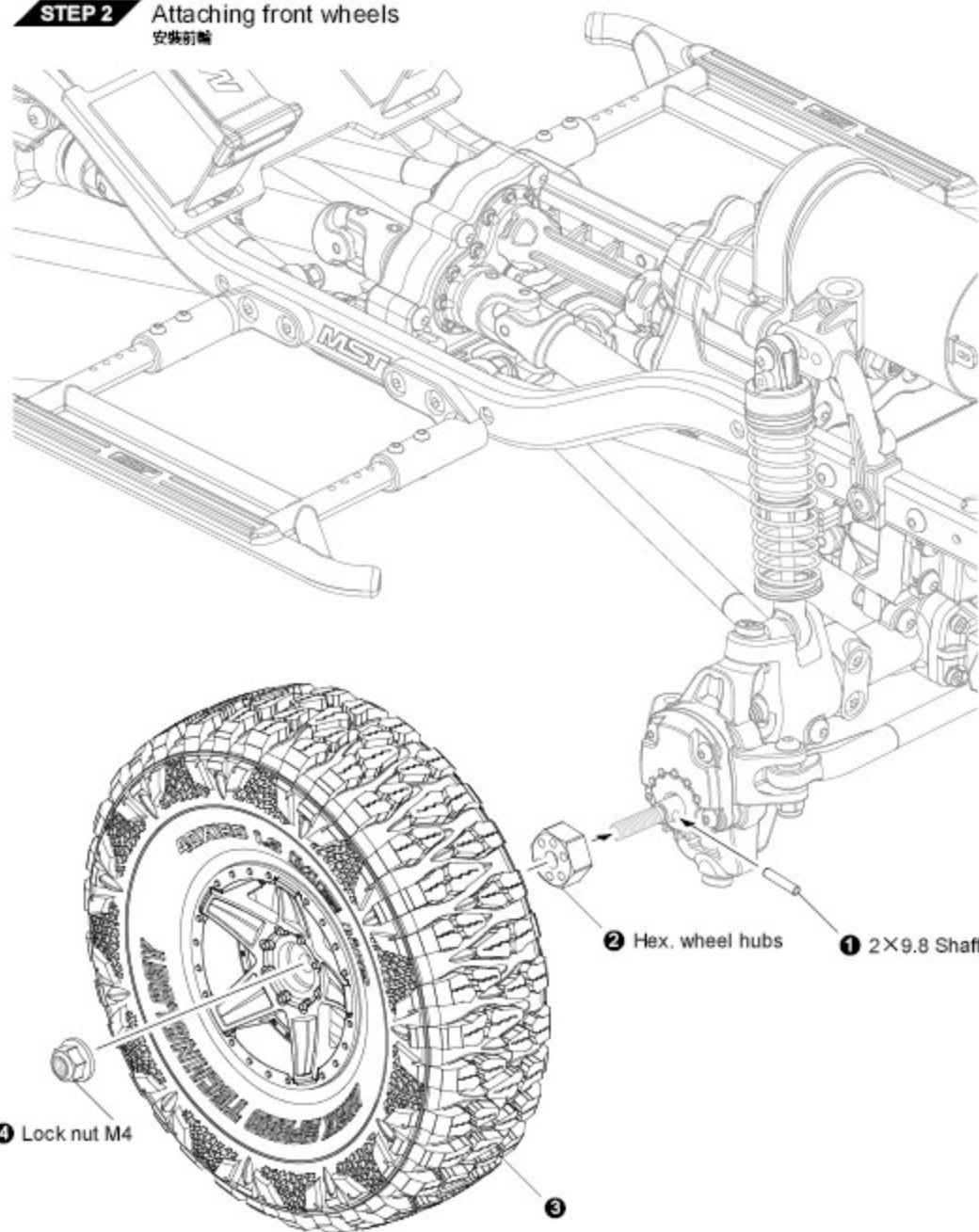
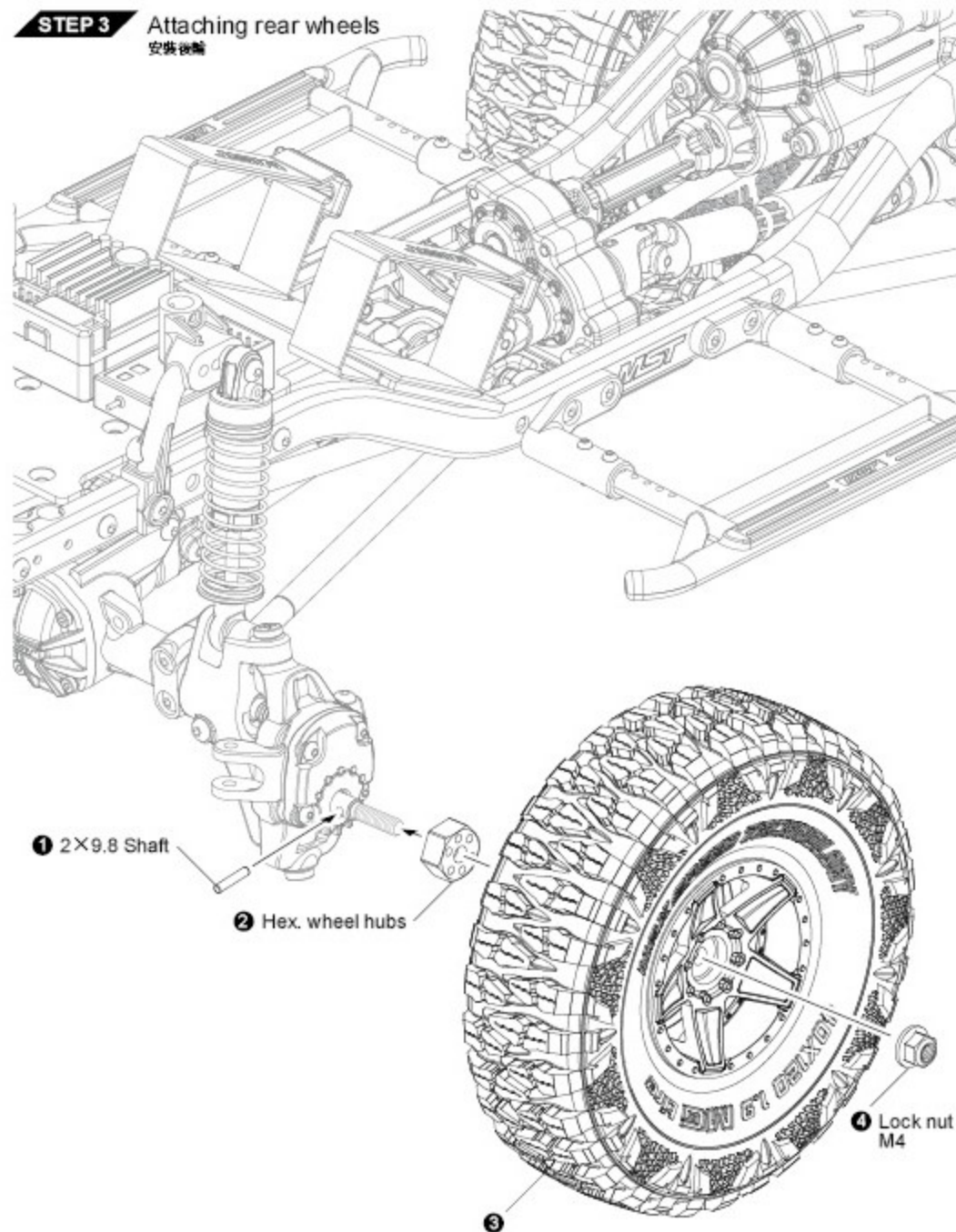
3 Wheel



※ Adhesive
上膠固定。
※ Glue on both sides.
兩側都須上膠。

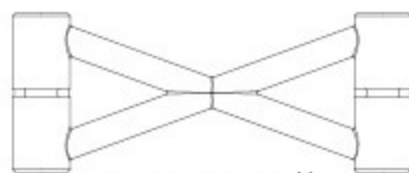
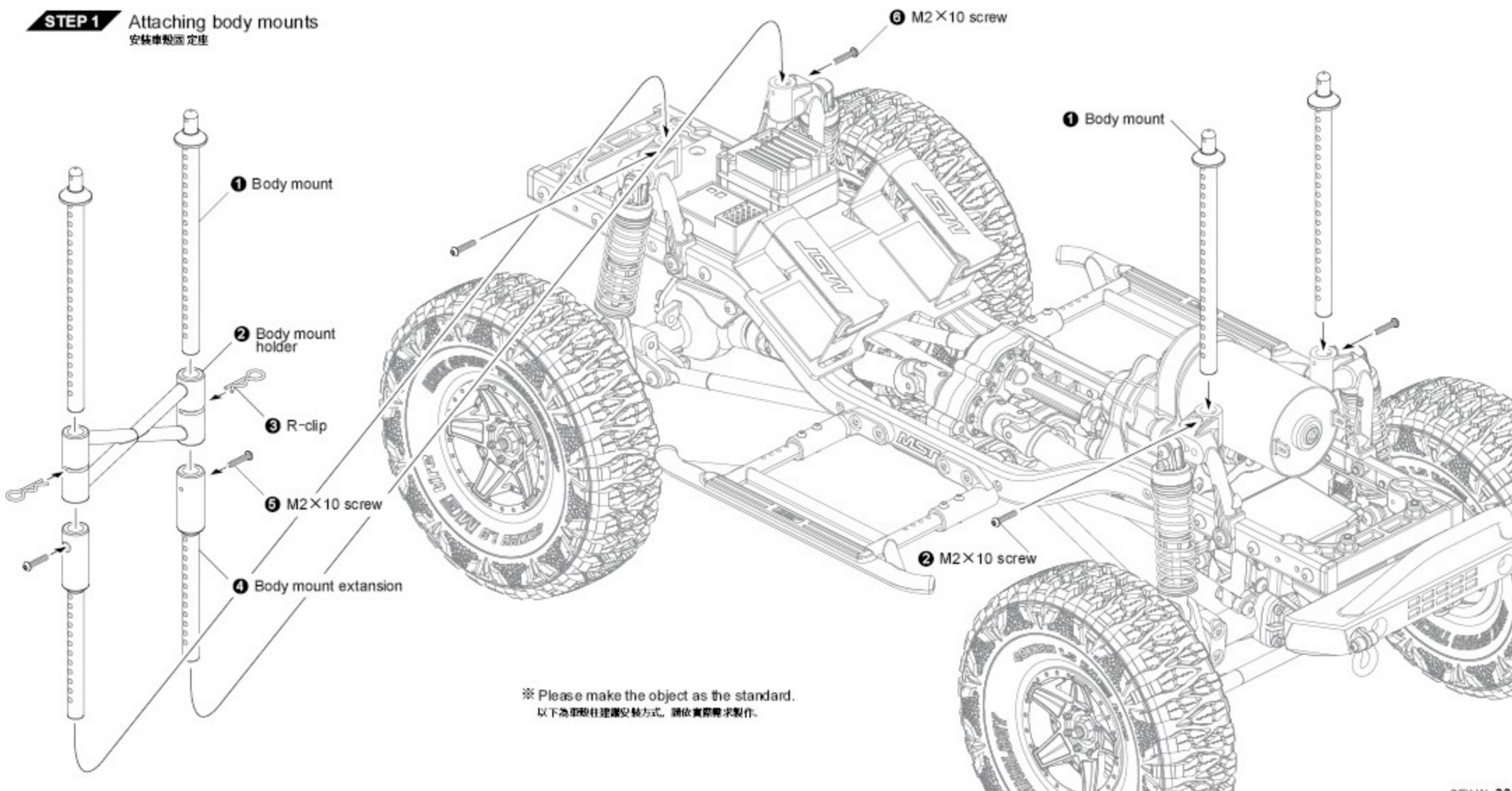
※ Please operate it at ventilated place.
請於通風處進行上膠。

X4
Make 4

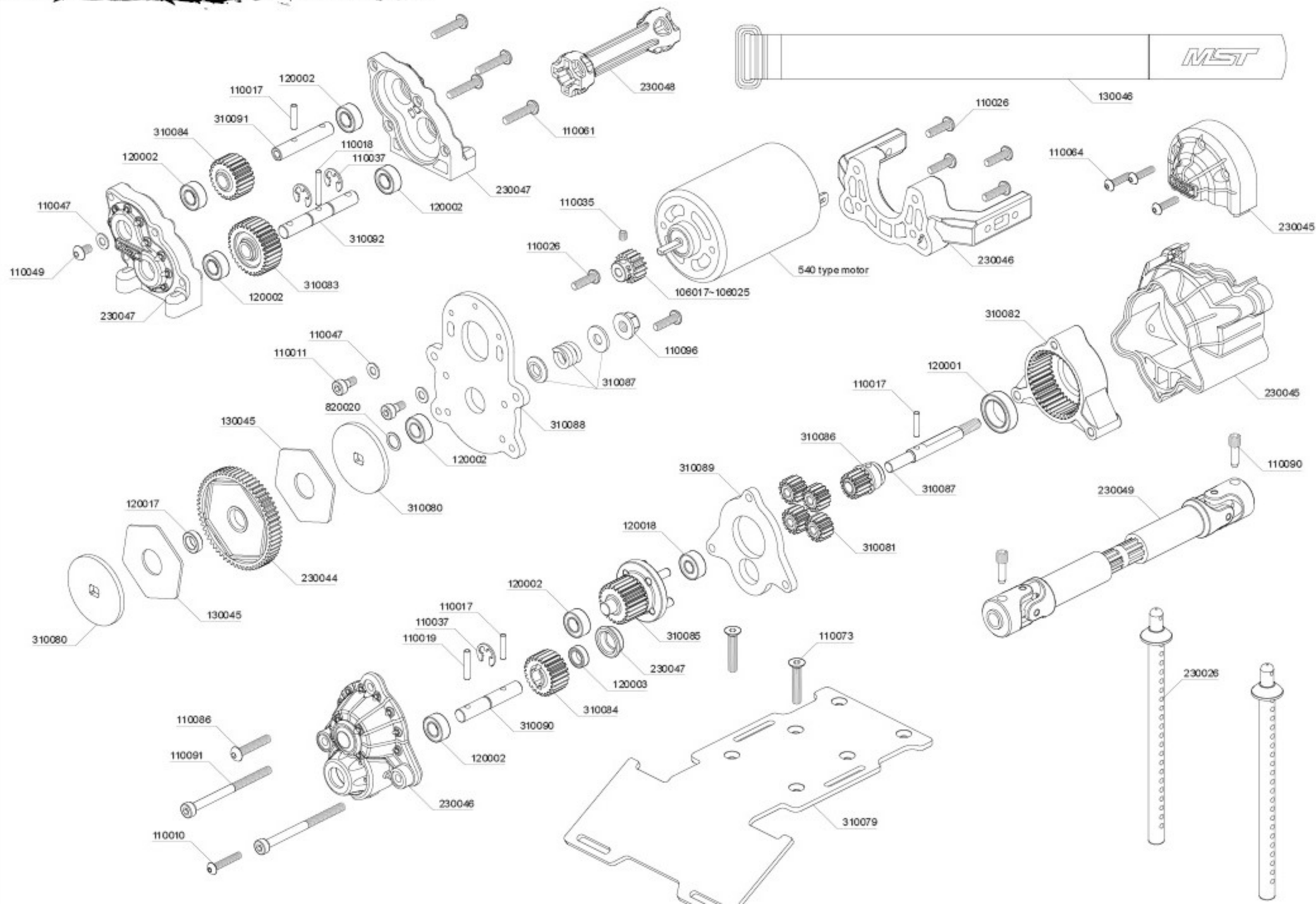
STEP 2 Attaching front wheels
安裝前輪**STEP 3** Attaching rear wheels
安裝後輪

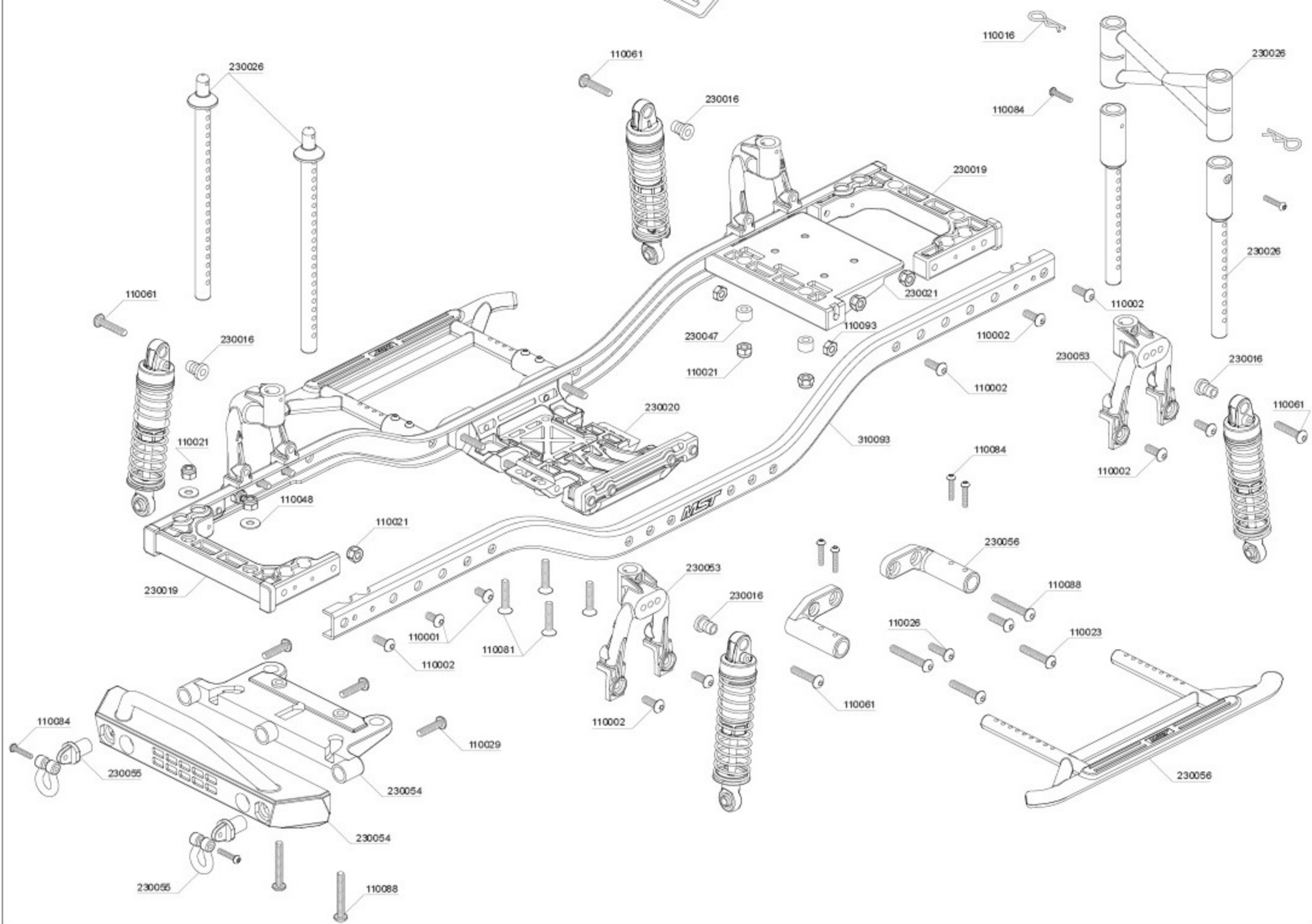
◀ BODY MOUNTS

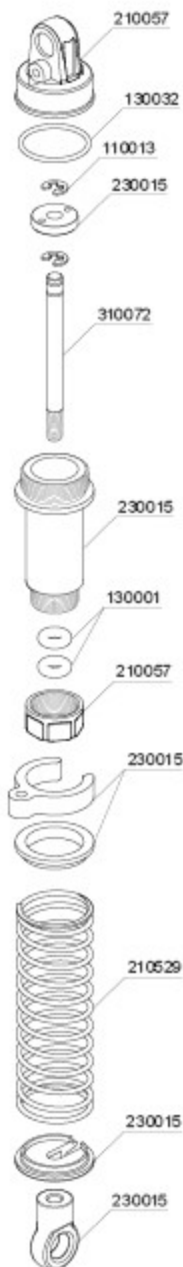
車殼固定座

Body mount extension ×2
車殼延伸柱Body mount ×4
車殼支柱Body mount holder ×2
車殼支柱連接架R-clip ×9
R形扣M2×10 Screw ×6
圓頭螺絲**STEP 1** Attaching body mounts
安裝車殼固定座

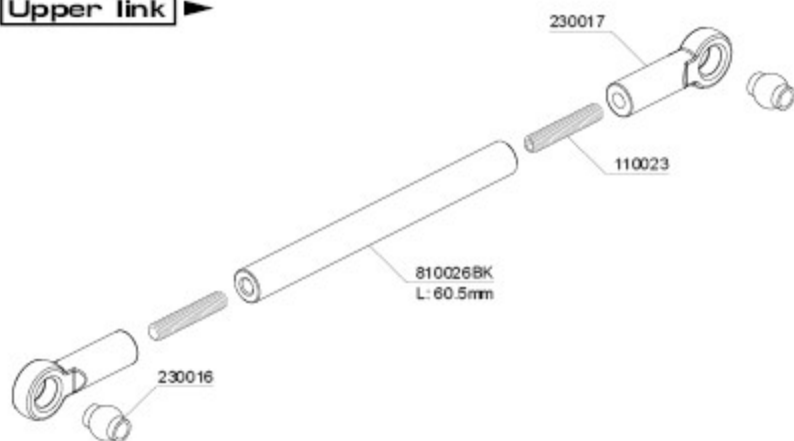
※ Please make the object as the standard.
以下為車殼柱建議安裝方式，請依實際需求製作。



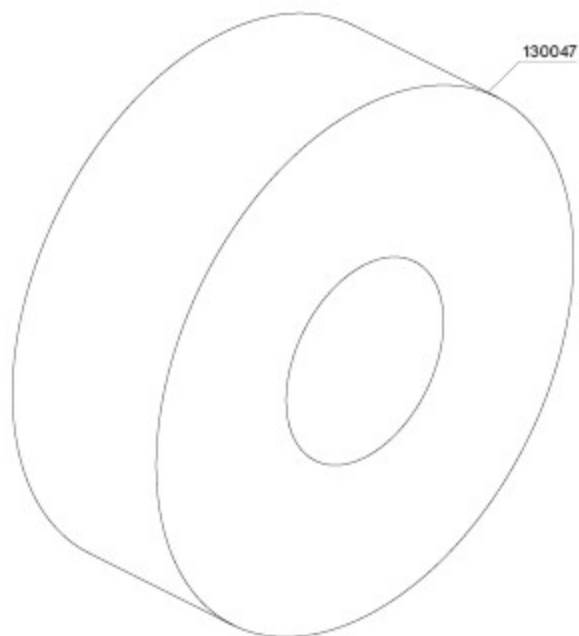
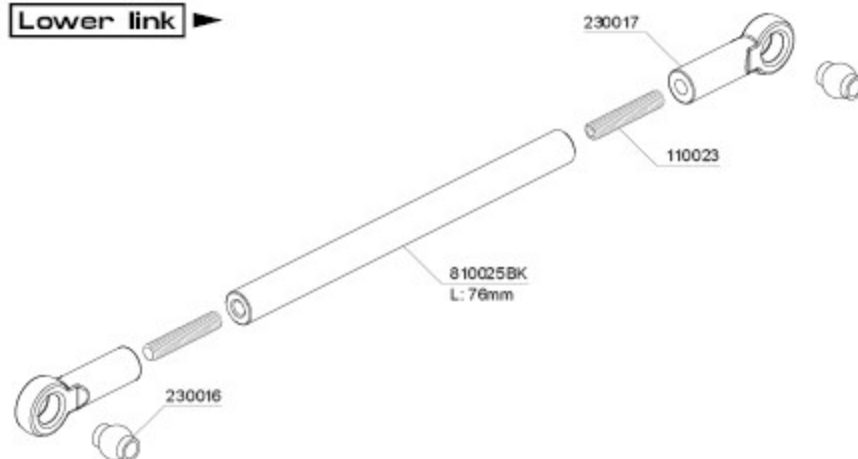




Upper link ▶



Lower link ▶



PARTS CODE

101037	MG Crawler tire 40×120-1.9" (2)	110061	Round head screw M3×14 (6)	120018	Ball bearing 4×10×4 (2)	230044	M06 Spur gear 62T	310088	CFX Motor mount
110001	Round head screw M3×6 (10)	110064	Round head screw M2.5×10 (6)	120019	Ball bearing 8×12 (2)	230045	CFX Deceleration gear box set	310089	Bulkhead plate
110002	Round head screw M3×8 (10)	110070	E-clip 3.0 (10)	120020	Ball bearing 5×9×3 (4)	230046	CFX Gear box support	310090	Gear shaft A
110010	Round head screw M2.5×14 (6)	110073	Countersunk screw M3×16 (6)	120024	Bearing 3×6×2.5 (4)	230047	CFX Transfer case set	310091	Gear shaft B
110011	Cap screw M3×6 (6)	110076	Round head screw M3×25 (6)	130001	Damper O-ring P3 (red) (10)	230048	CFX Driveshaft set	310092	Gear shaft C
110013	E-clip 2.0 (10)	110081	Countersunk screw M3×14 (6)	130008	Black grease	230049	CFX-W Driveshaft	310093	CFX-W Chassis rail
110016	R-clip 6.0 (10)	110084	Round head screw M2×10 (6)	130032	Damper cap O-ring (10)	230050	MPA Axle cover	310094	MPA CVD Axle (2)
110017	Shaft 2×9.8 (10)	110086	Round head screw M3×16 (6)	130035	L Wrench set (1.5 & 2.0 & 2.5)	230051	MPA C hub carrier set	310095	MPA Wheel axle
110018	Shaft 2×13.8 (5)	110087	Round head screw M3×18 (6)	130045	Slipper pad (2)	230052	MPA Knuckle set	310096	MPA Axle (2)
110019	Shaft 2×11.8 (5)	110088	Round head screw M3×20 (6)	130046	Velcro strap 16×210mm (2)	230053	Damper stay set	310097	Gear 16T
110021	Lock nut M3 (5)	110089	Round head screw M3×30 (6)	130047	Inner sponge 38×122×46 (2)	230054	Bumper set	310098	Gear C 14T
110023	Set screw M3×16 (6)	110090	Shaft screw M4×4×12 (6)	210033	Servo horn set (long) (23T/25T)	230055	Rod ends set	310099	Bevel gear shaft
110025	Tapping round head screw 2.6×10 (6)	110091	Cap screw M3×40 (6)	210057	Damper cap set	230056	Side sliders set	310100	Bevel gear set 36-15
110026	Round head screw M3×10 (10)	110092	King pin screw (4)	210529	Coil spring 45mm (hard) (silver) (4)	310072	Piston rod (4)	700003S	5.5 & 7.0 Alum. wrench (silver)
110027	Cap screw M2×8 (6)	110093	Nut M3 (5)	220012	Mineral oil 10#	310079	Battery tray	810023BK	Alum. link 43mm (black) (2)
110029	Round head screw M3×12 (6)	110096	Lock nut M4 (5)	230015	Damper parts (2)	310080	Slipper plate (2)	810024BK	Alum. link 94.5mm (black) (2)
110037	E-clip 4.0 (10)	110097	Lock nut M2.5 (5)	230016	CMX Ball connector set	310081	Gear B 14T (4)	810025BK	Alum. link 76mm (black) (2)
110046	Shaft 2×9.8 (8)	110098	Shaft 3×11.8 (8)	230019	CMX Cross member set	310082	Gear 42T	810026BK	Alum. link 60.5mm (black) (2)
110047	Spacer 3×6×0.5 (8)	120001	Ball bearing 10×15 (4)	230020	CMX Gear box chassis set	310083	Gear 32T	820020	Spacer 5×7×0.3 (8)
110048	Spacer 3×8×0.5 (8)	120002	Ball bearing 5×10 (4)	230021	CMX Receiver case set	310084	Gear B 24T	820030	Cross joint (2)
110049	Round head screw M3×5 (10)	120003	Ball bearing 5×8 (4)	230026	CMX Car body post set	310085	Gear A 24T		
110055	G-clip 10.0 (10)	120013	Ball bearing 4×8×3 (2)	230042BK	Black 236 1.9" wheel (+5) (4)	310086	Gear A 14T		
110060	Set screw M3×2.6 (10)	120017	Bearing 5×8 (4)	230043BK	Black 648 1.9" wheel (+5) (4)	310087	Slipper shaft set		

部品編號

101037	MG 攀岩胎 40×120-1.9"	110061	六角半圓頭螺絲 M3×14 (6)	120018	培林 4×10×4 (2)	230044	M06 大齒盤 62T	310088	CFX 馬達座
110001	六角半圓頭螺絲 M3×6 (10)	110064	六角圓頭螺絲 M2.5×10 (6)	120019	培林 8×12 (2)	230045	CFX 減速箱組	310089	減速箱總板
110002	六角半圓頭螺絲 M3×8 (10)	110070	E扣 3.0 (10)	120020	培林 5×9×3 (4)	230046	CFX 減速箱支架組	310090	齒輪軸心 A
110010	六角半圓頭螺絲 M2.5×14 (6)	110073	六角沉頭螺絲 M3×16 (6)	120024	軸承 3×6×2.5 (4)	230047	CFX 分動箱組	310091	齒輪軸心 B
110011	六角有頭螺絲 M3×6 (半牙) (6)	110076	六角半圓頭螺絲 M3×25 (6)	130001	阻尼器 O 環 P3 (紅) (10)	230048	CFX 驅動軸組	310092	齒輪軸心 C
110013	E扣 2.0 (10)	110081	六角沉頭螺絲 M3×14 (6)	130008	黑色油膏	230049	CFX-W 傳動軸	310093	CFX-W 傳動軸 (2)
110016	R銷 6.0 (10)	110084	六角半圓頭螺絲 M2×10 (6)	130032	避震上蓋 O 環 (10)	230050	MPA 車軸殼	310094	MPA CVD 輪軸 (2)
110017	插銷 2×9.8 (10)	110086	六角半圓頭螺絲 M3×16 (6)	130035	L 板手組 (1.5 & 2.0 & 2.5)	230051	MPA 轉向 C 座組	310095	MPA 萬向接杆
110018	插銷 2×13.8 (5)	110087	六角半圓頭螺絲 M3×18 (6)	130045	扭膠膠膜片 (2)	230052	MPA 轉向座組	310096	MPA 輪軸 (2)
110019	插銷 2×11.8 (5)	110088	六角半圓頭螺絲 M3×20 (6)	130046	電池束帶 16×210mm (2)	230053	避震架組	310097	齒輪 16T
110021	防鬆螺帽 M3 (5)	110089	六角半圓頭螺絲 M3×30 (6)	130047	內襯 38×122×46 (2)	230054	前保桿組	310098	齒輪 C 14T
110023	六角止付螺絲 M3×16 (6)	110090	銷釘螺絲 M4×4×12 (6)	210033	何根機軸片組-長 (23T/25T)	230055	拉桿彈組	310099	傘齒輪
110025	自攻六角半圓頭螺絲 2.6×10 (6)	110091	六角有頭螺絲 M3×40 (半牙) (6)	210057	避震器上下蓋組	230056	車側踏板組	310100	傘齒組 36-15
110026	六角半圓頭螺絲 M3×10 (10)	110092	大王螺絲 (4)	210529	避震彈簧 45mm (硬) (銀) (4)	310072	避震軸心 (4)	700003S	5.5 & 7.0 鋁合金套筒工具 (銀)
110027	六角有頭螺絲 M2×8 (6)	110093	螺帽 M3 (5)	220012	礦物油 10#	310079	電裝托盤	810023BK	鋁合金拉桿 43mm (黑) (2)
110029	六角半圓頭螺絲 M3×12 (6)	110096	防鬆螺帽 M4 (5)	230015	避震零件組 (2)	310080	扭膠膠盤	810024BK	鋁合金拉桿 94.5mm (黑) (2)
110037	E扣 4.0 (10)	110097	防鬆螺帽 M2.5 (5)	230016	CMX 球頭組	310081	齒輪 B 14T (4)	810025BK	鋁合金拉桿 76mm (黑) (2)
110046	插銷 2×9.8 (剖開) (8)	110098	插銷 3×11.8 (8)	230019	CMX 橫桿組	310082	齒輪 42T	810026BK	鋁合金拉桿 60.5mm (黑) (2)
110047	墊片 3×6×0.5 (8)	120001	培林 10×15 (4)	230020	CMX 減速箱底盤組	310083	齒輪 32T	820020	墊片 5×7×0.3 (8)
110048	墊片 3×8×0.5 (8)	120002	培林 5×10 (4)	230021	CMX 接收機盒組	310084	齒輪 B 24T	820030	連接軸 (2)
110049	六角半圓頭螺絲 M3×5 (10)	120003	培林 5×8 (4)	230026	CMX 車殼支柱組	310085	齒輪 A 24T		
110055	G扣 10.0 (10)	120013	培林 4×8×3 (2)	230042BK	黑色 236 1.9" 輪框 (+5) (4)	310086	齒輪 A 14T		
110060	六角止付螺絲 M3×2.6 (10)	120017	軸承 5×8 (4)	230043BK	黑色 648 1.9" 輪框 (+5) (4)	310087	扭膠軸心組		

MST
MAX SPEED TECHNOLOGY



INSTRUCTION
MANUAL

WWW.RC-MST.COM

[facebook.com/MST.tw]



Max Speed Technology

