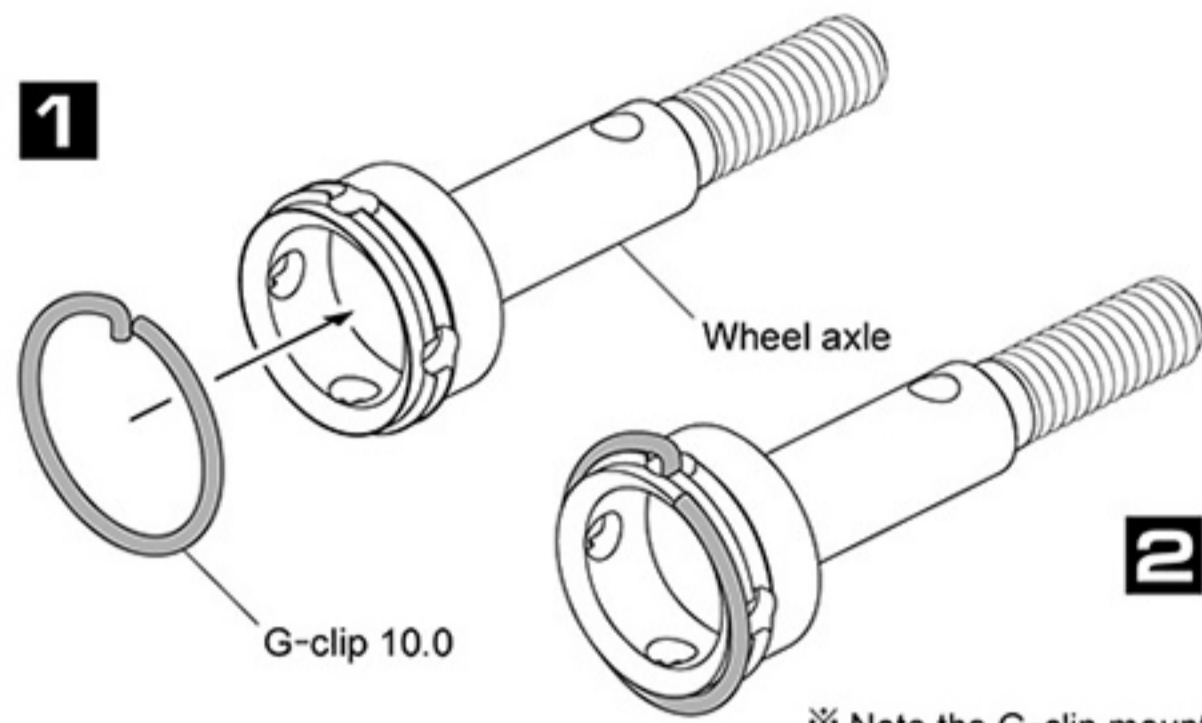


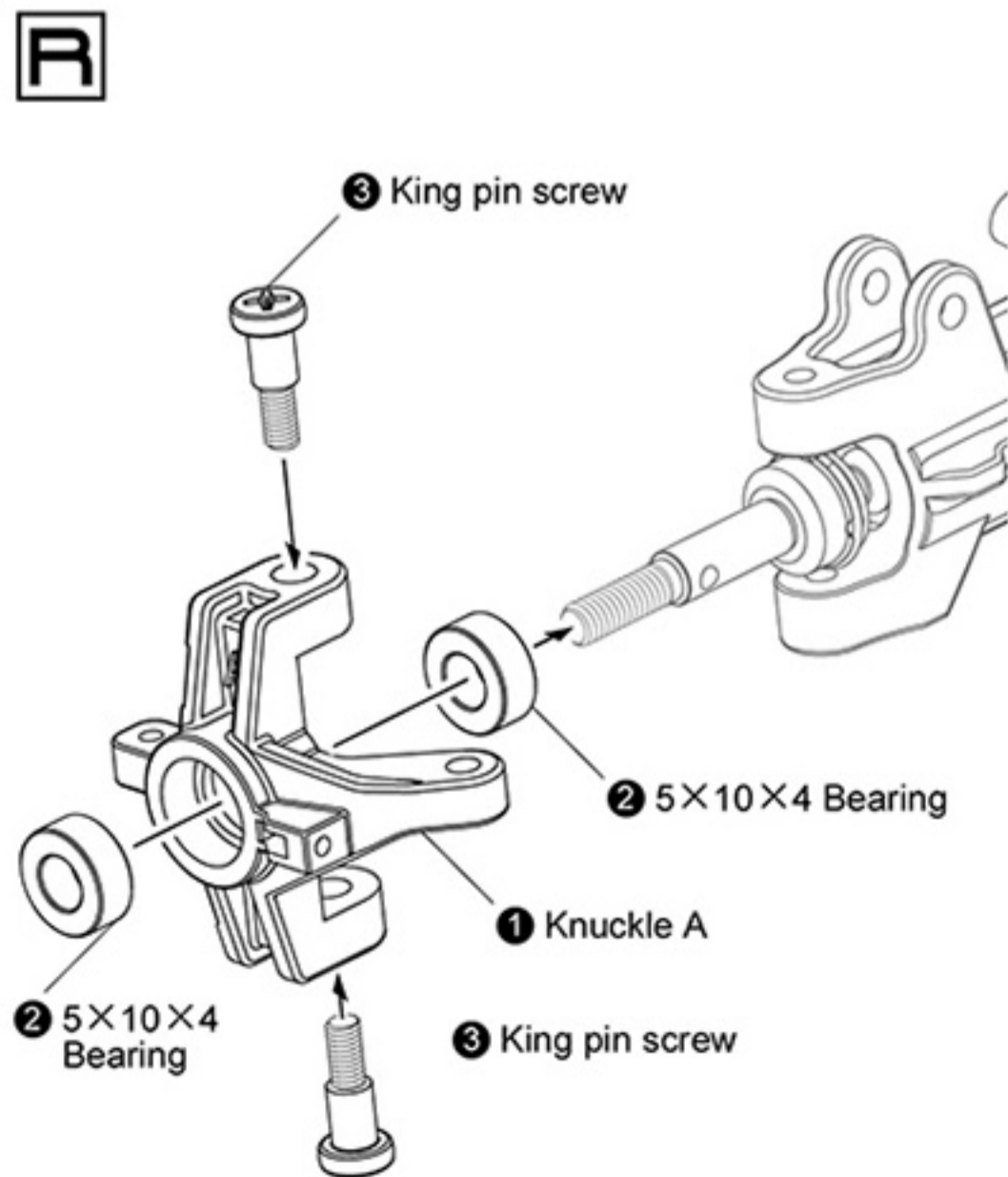
STEP 7 Wheel axle assembly
萬向接杯組裝



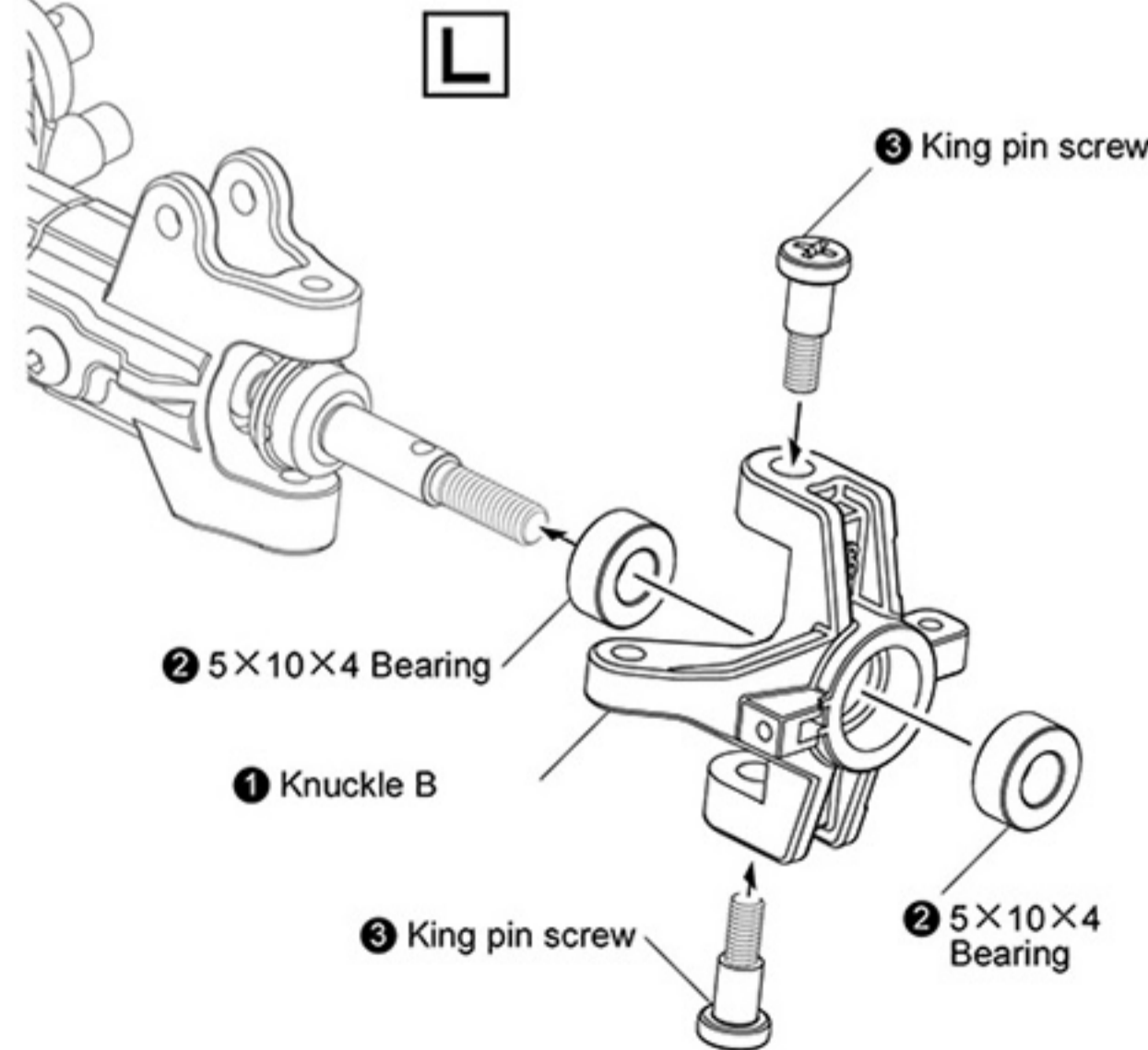
※ Note the G-clip mounting direction.
注意G扣安裝方向

2×9.8 Shaft

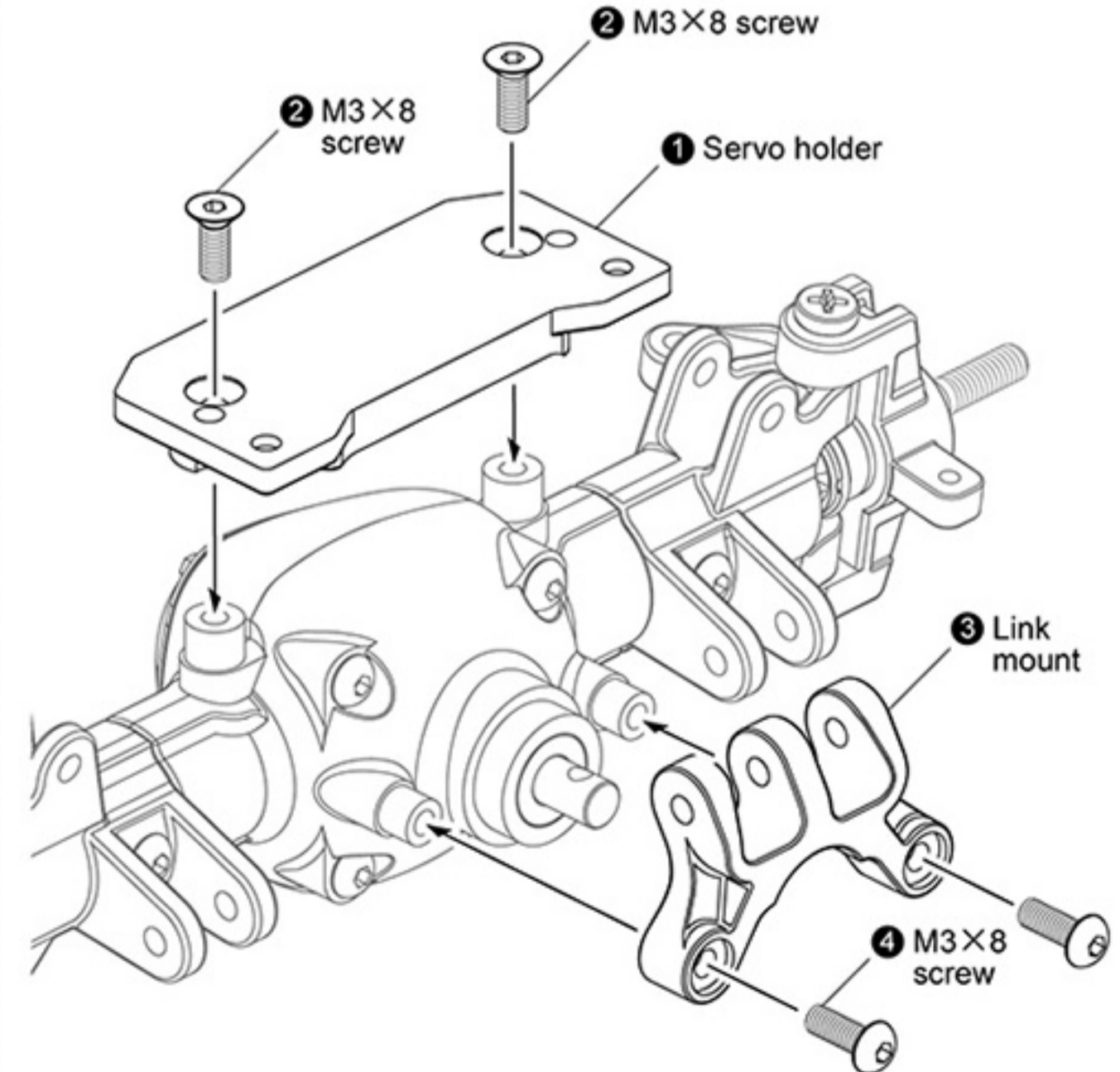
STEP 8 Knuckle assembly
轉向座組裝



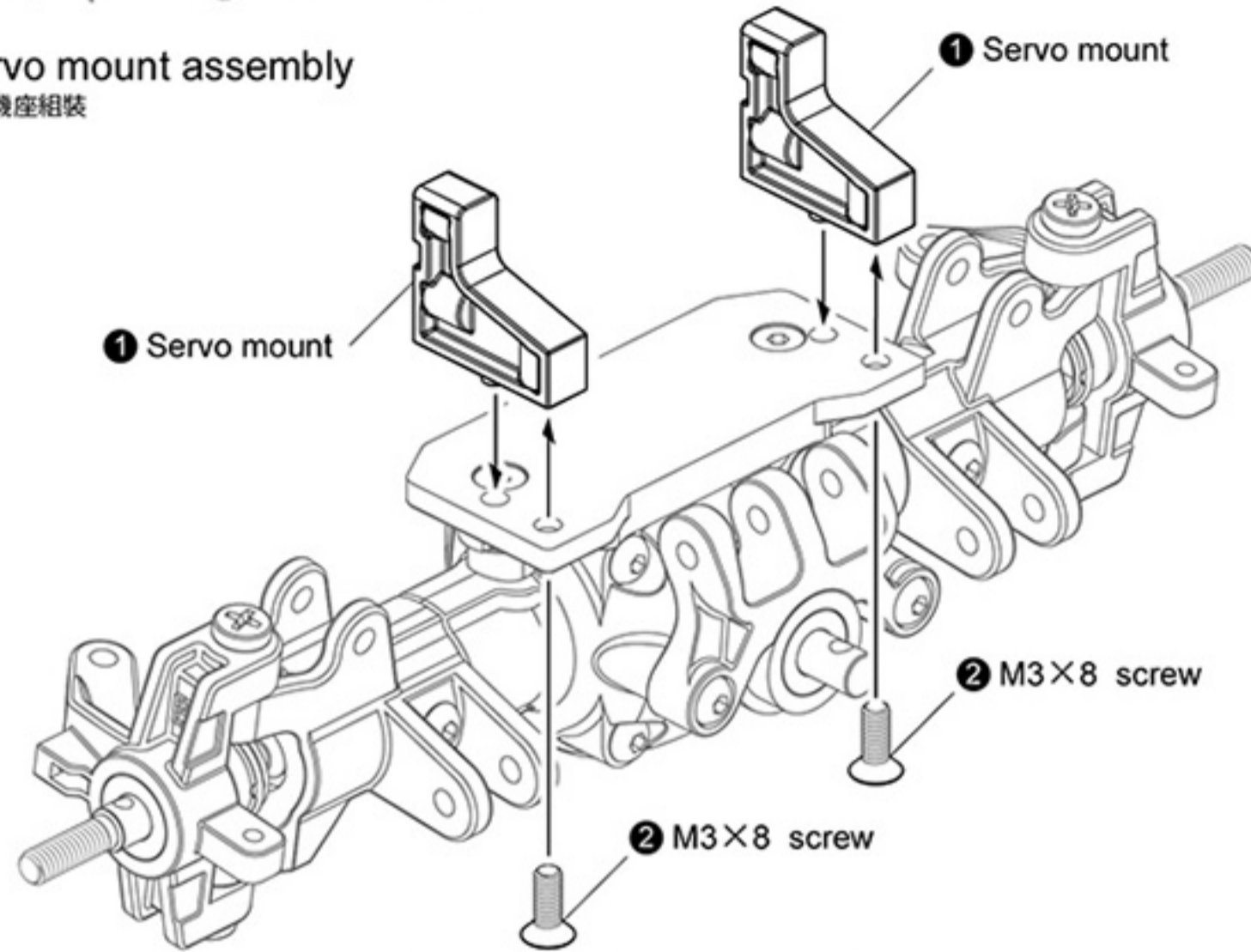
STEP 9 Knuckle assembly
轉向座組裝



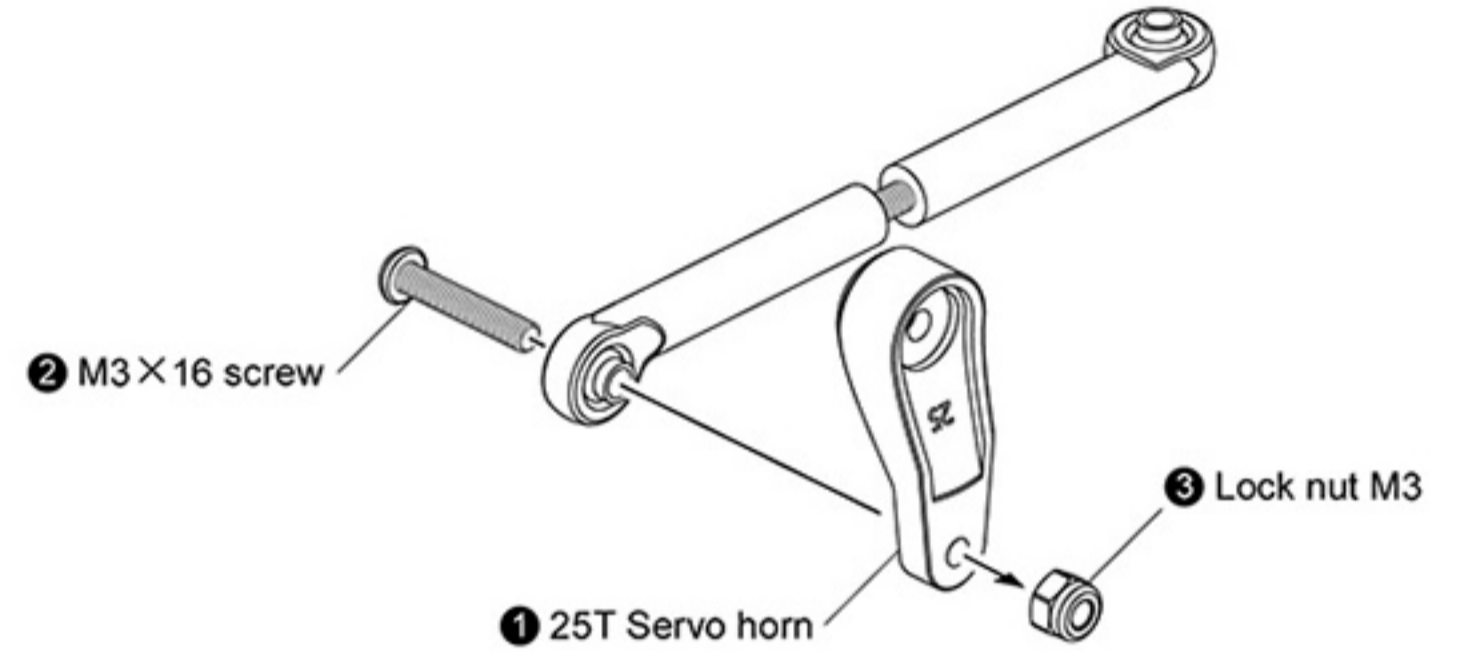
STEP 10 Servo plate & Link mount assembly
伺服機底板 & 上拉桿座組裝



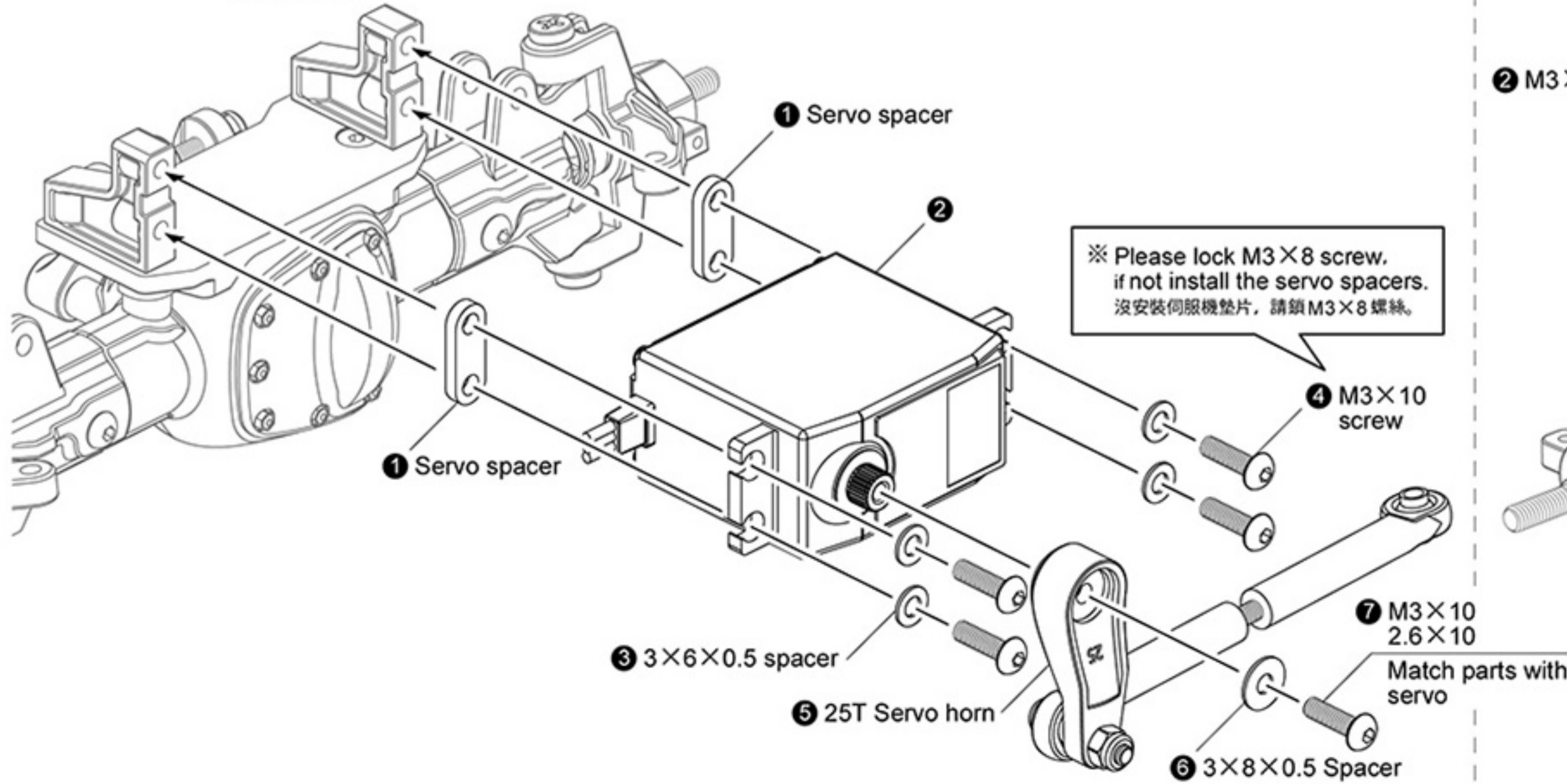
STEP 11 Servo mount assembly
伺服機座組裝



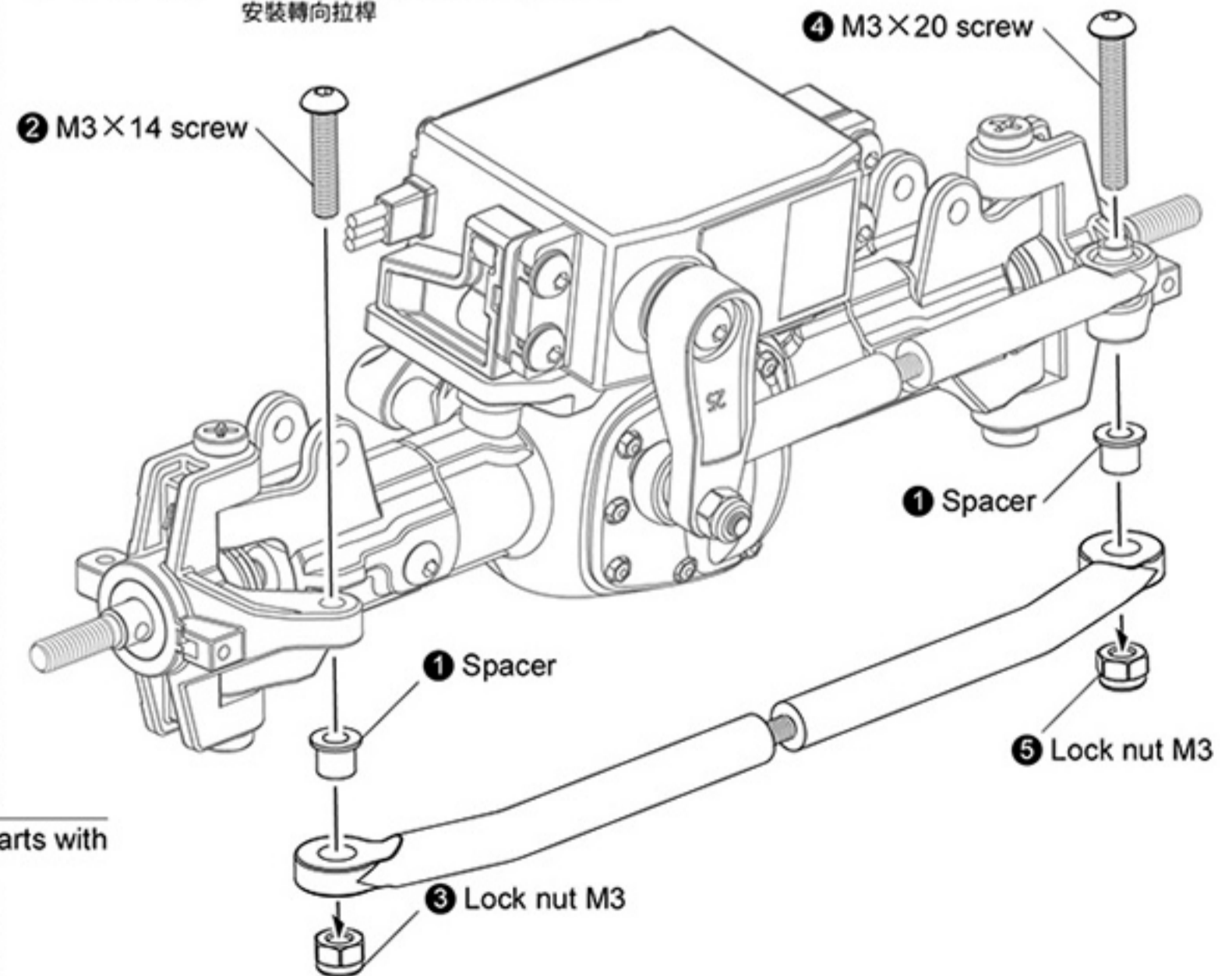
STEP 12 Servo link assembly
伺服拉桿組裝



STEP 13 Steering servo assembly
轉向伺服機組裝



STEP 14 Attaching steering Link
安裝轉向拉桿



◀ REAR AXLE

後車軸

M3×3 screw ×2
止付螺絲

M2×6 screw ×1
圓頭螺絲

M2×16 screw ×3
圓頭螺絲

M3×6 screw ×4
圓頭螺絲

M3×8 screw ×2
圓頭螺絲

M3×18 screw ×4
圓頭螺絲

2×9.8 Shaft ×2
插銷

Bevel gear shaft ×1
傘齒軸

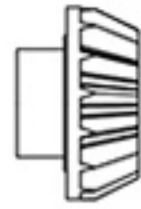
M5×7×0.3 spacer ×2
墊片

E-clip 4.0 ×2
E扣

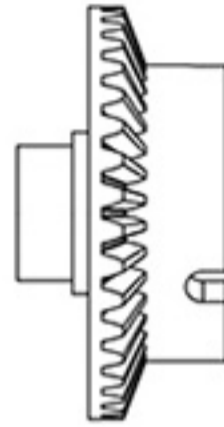
5×10×4 Bearing ×3
軸承

8×12×3.5 Bearing ×1
軸承

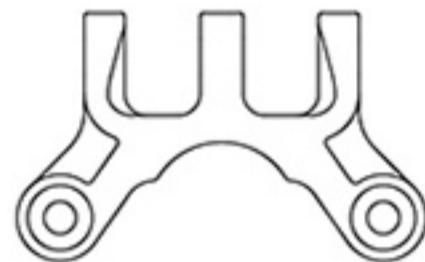
10×15×4 Bearing ×2
軸承



Bevel gear 15T ×1
小傘齒



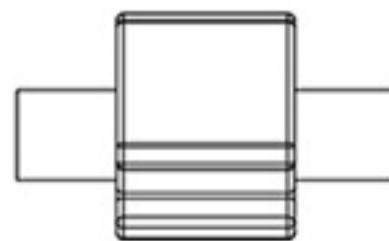
Bevel gear 36T ×1
大傘齒



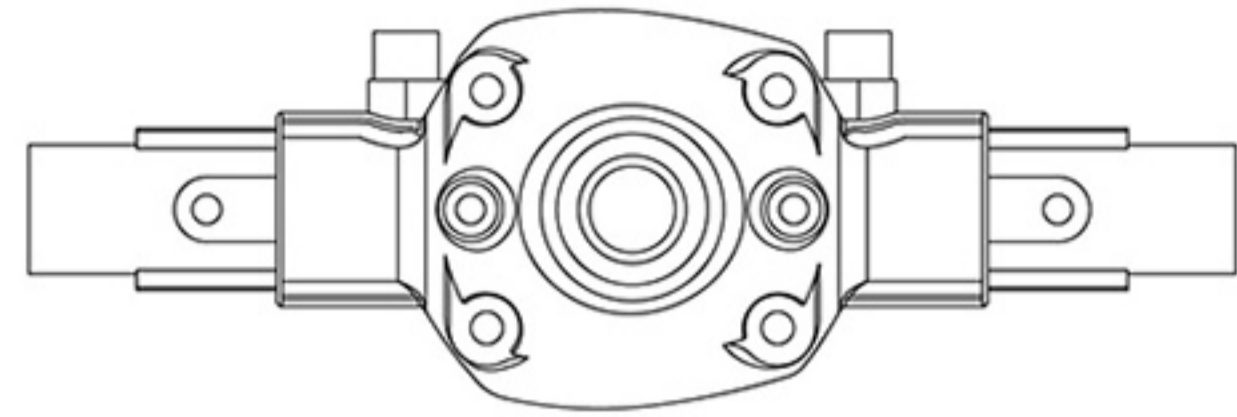
Link mount ×1
上拉桿座



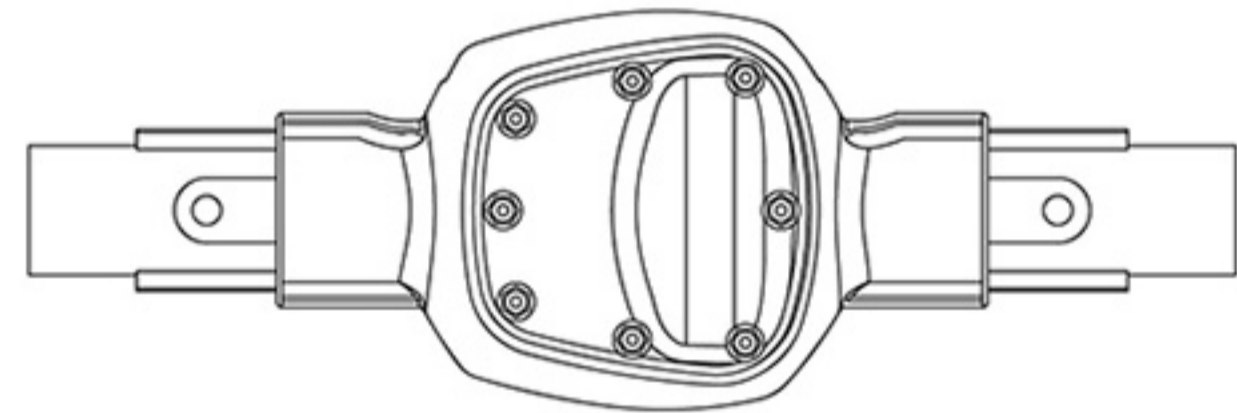
Bevel gear case ×1
大傘齒殼



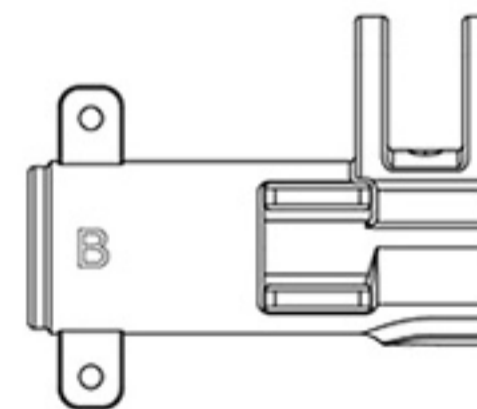
Heavy Duty Locker ×1
直輪連接座



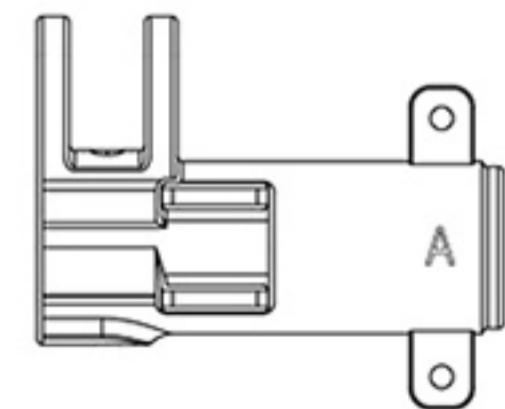
Axle cover A ×1
車軸殼 A



Axle cover B ×1
車軸殼 B



Axle lockout B ×1
車軸固定套 B



Axle lockout A ×1
車軸固定套 A

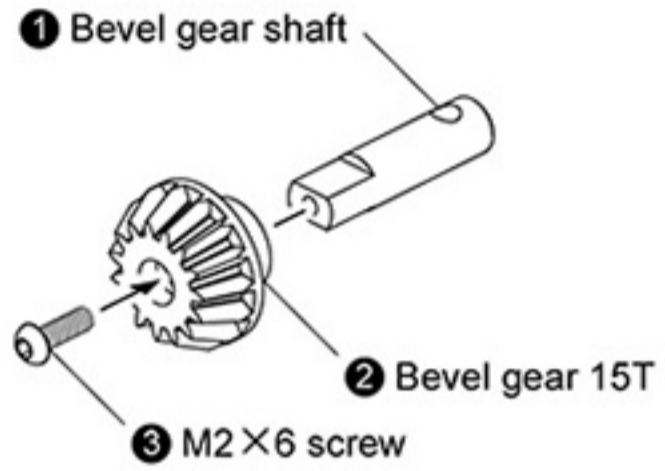


Solid axle ×1
輪軸

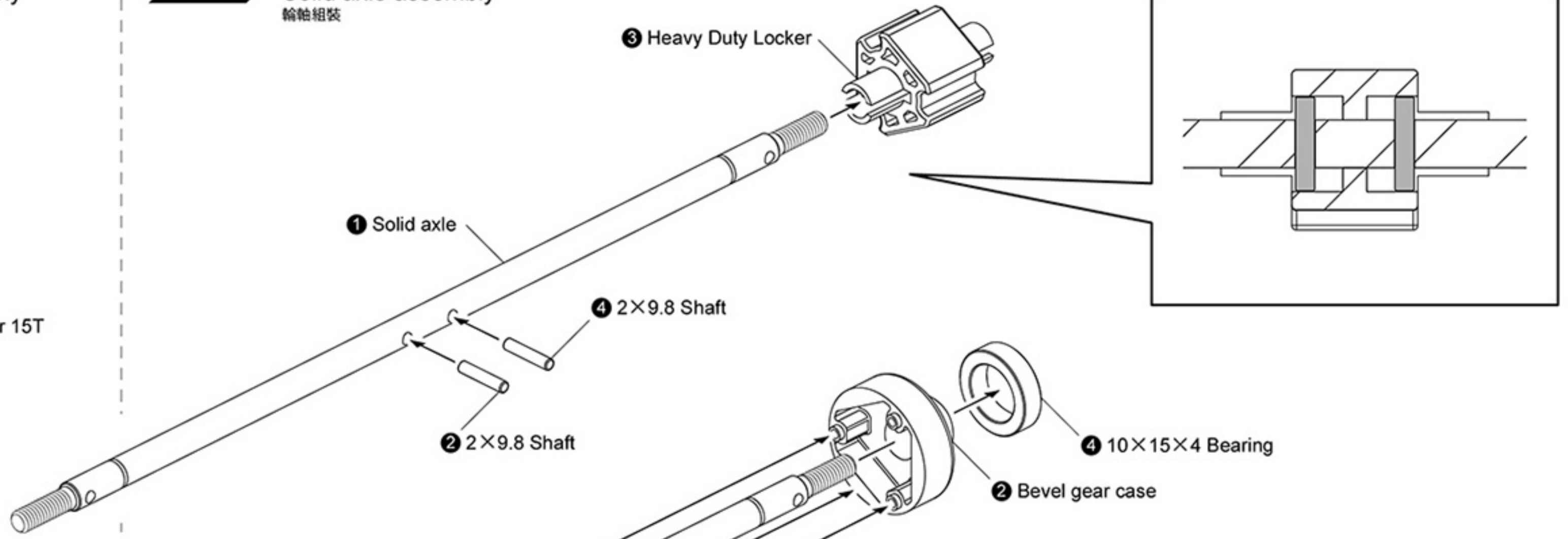
REAR AXLE

後車軸

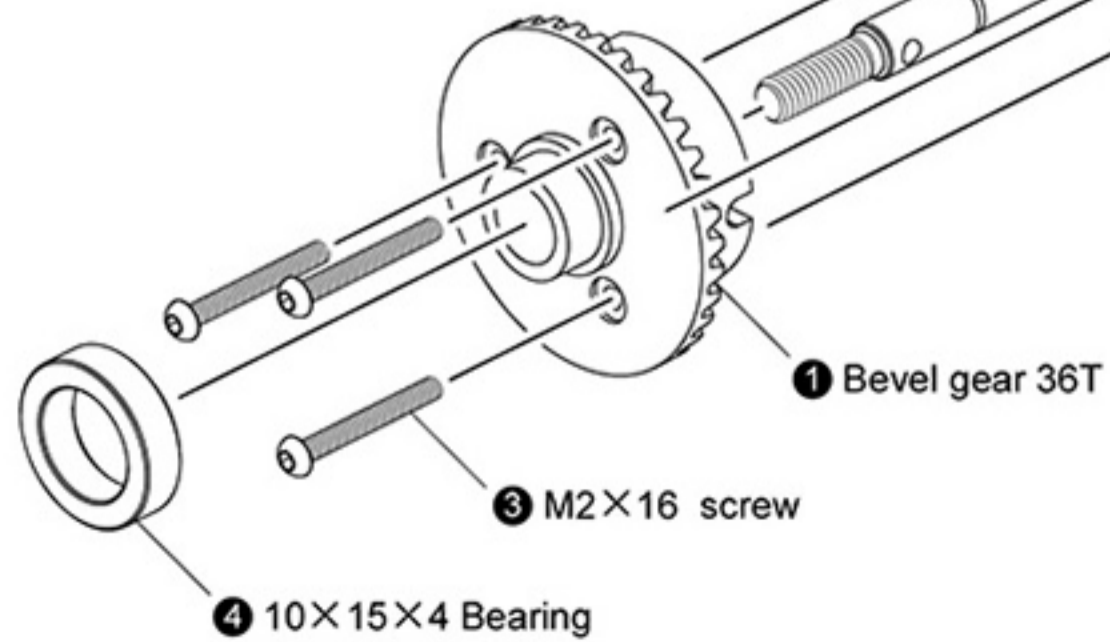
STEP 1 Bevel gear assembly
小傘齒組裝



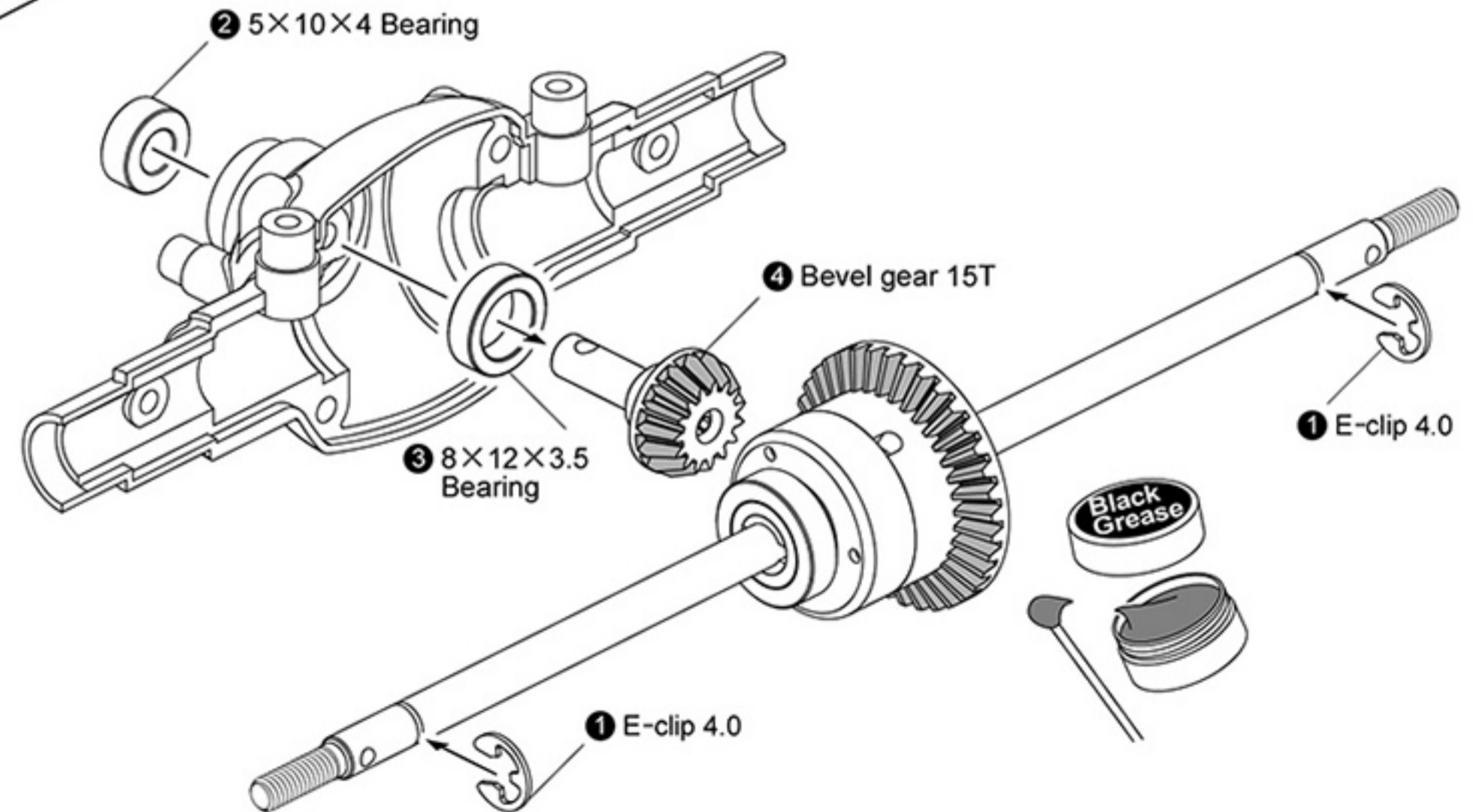
STEP 2 Solid axle assembly
輪軸組裝



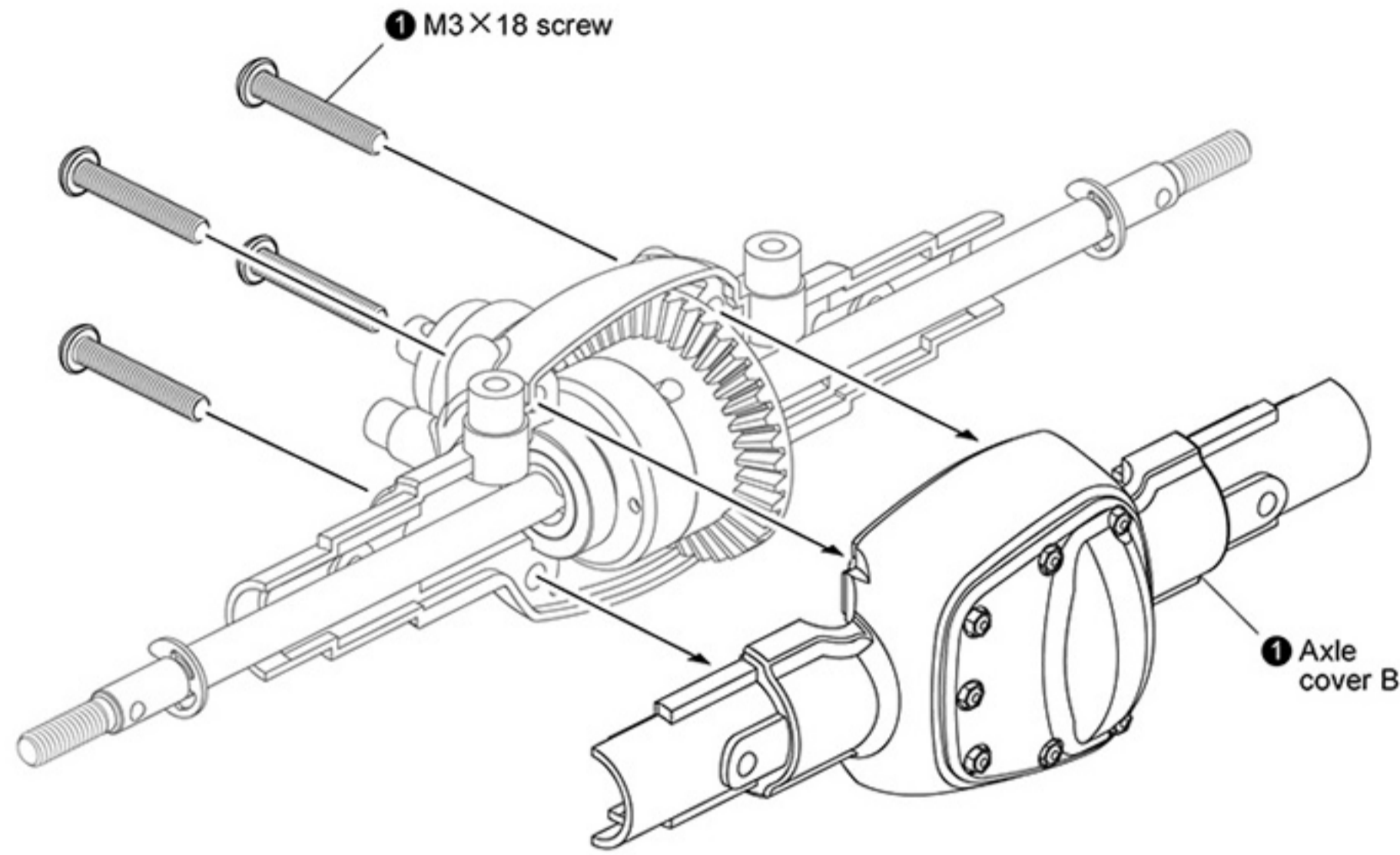
STEP 3 Bevel gear assembly
大傘齒組裝



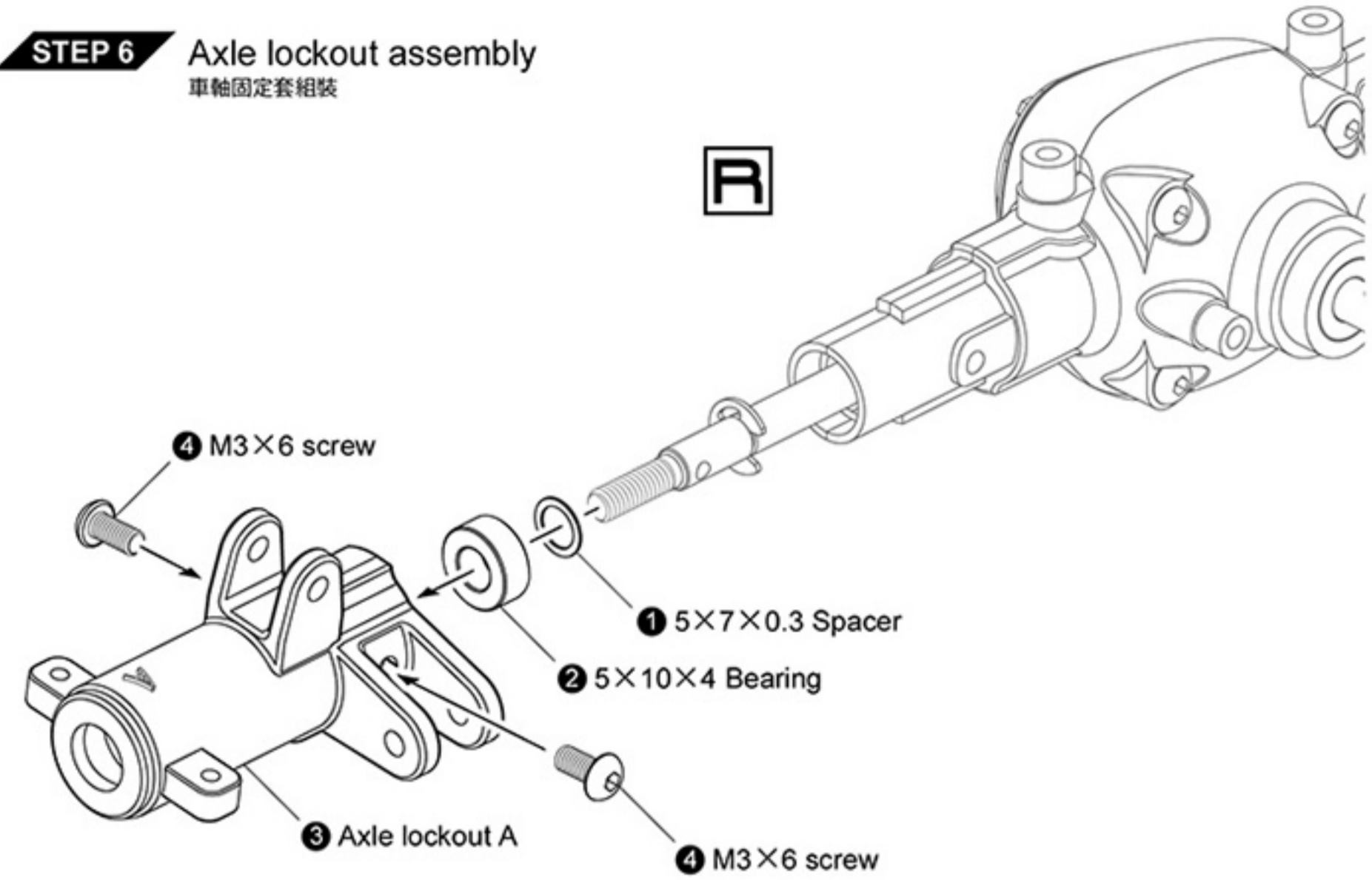
STEP 4 Attaching bevel gear
安裝傘齒



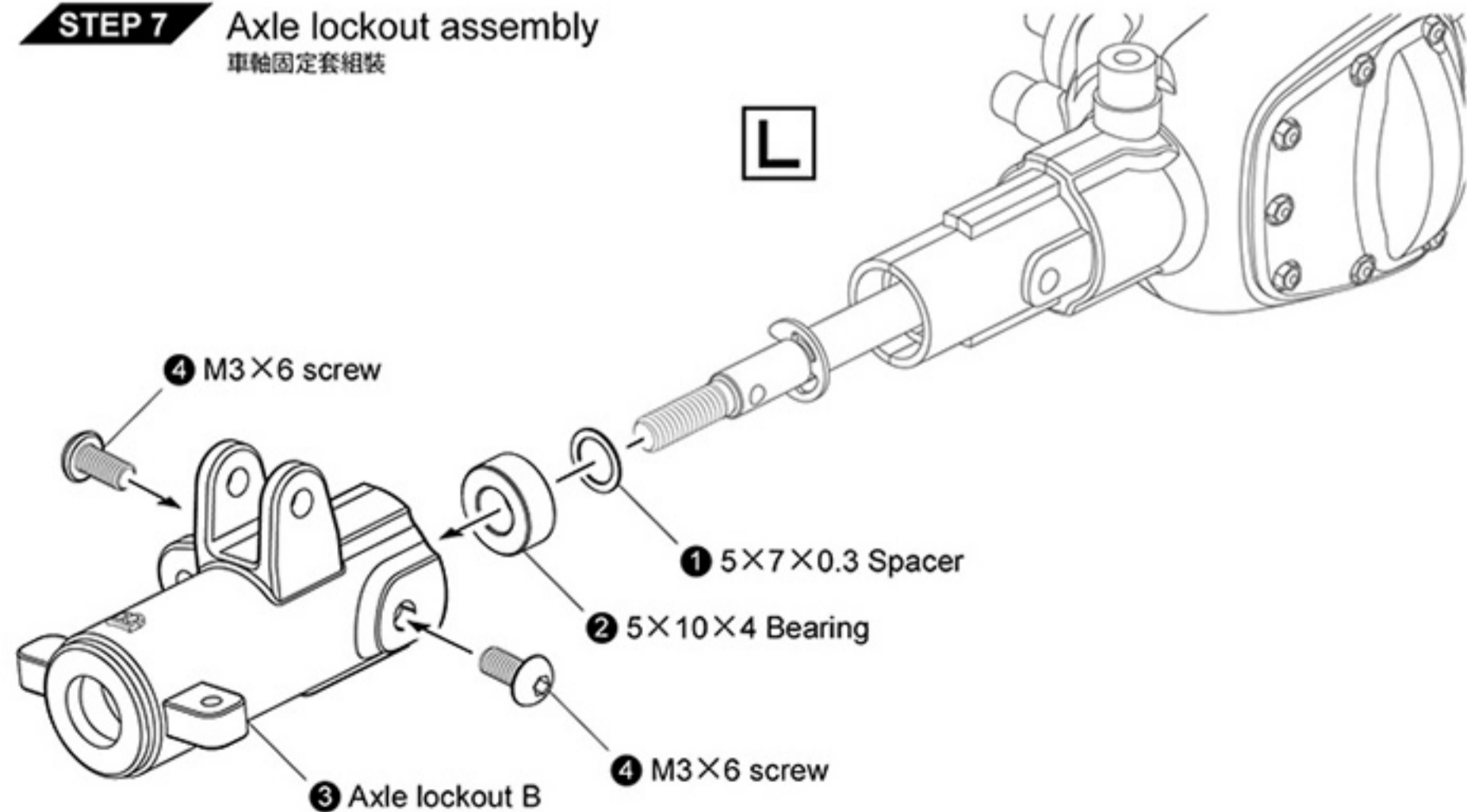
STEP 5 Axle cover assembly
車軸殼組裝



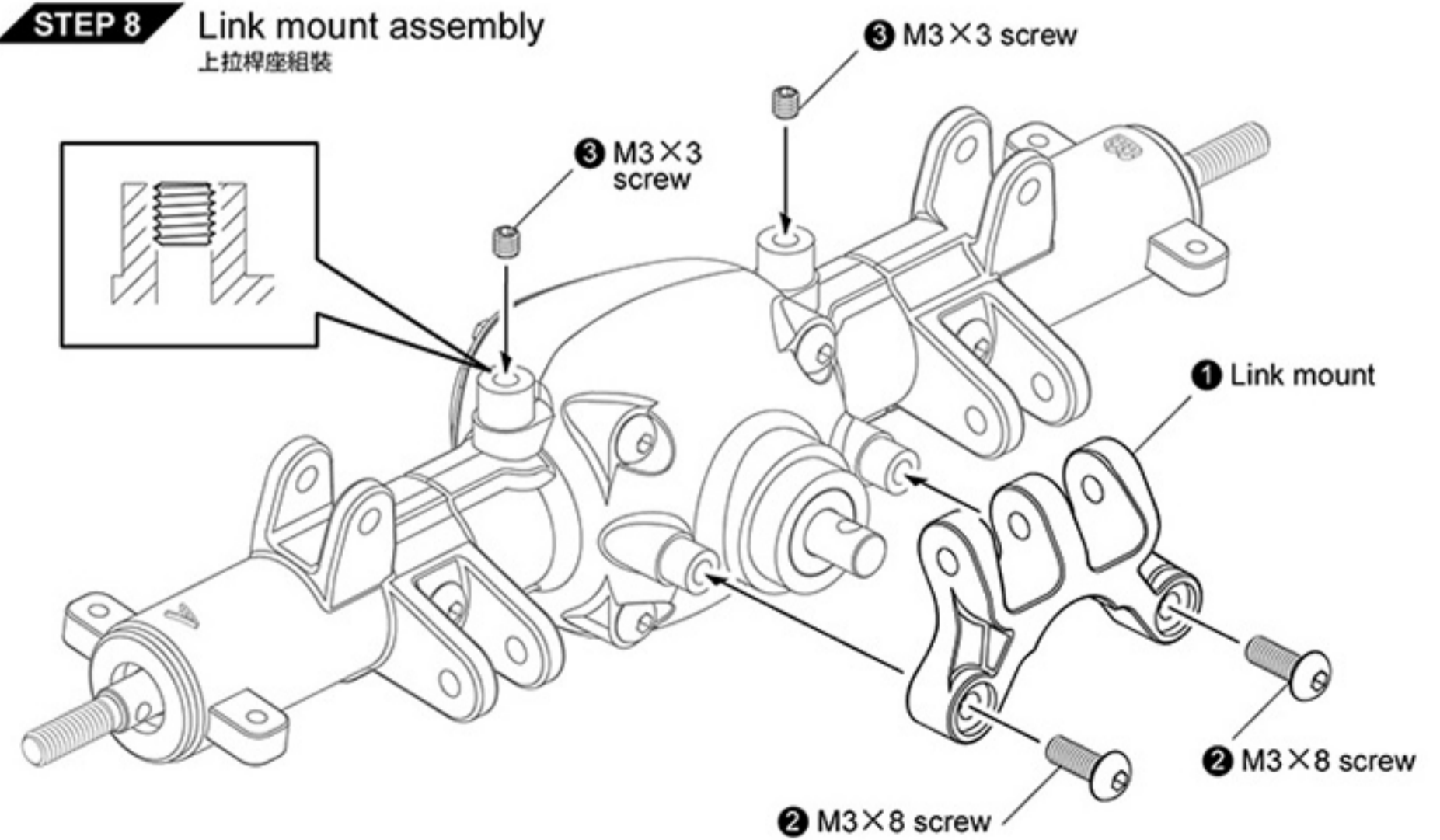
STEP 6 Axle lockout assembly
車軸固定套組裝



STEP 7 Axle lockout assembly
車軸固定套組裝



STEP 8 Link mount assembly
上拉桿座組裝



DRIVESHAFT

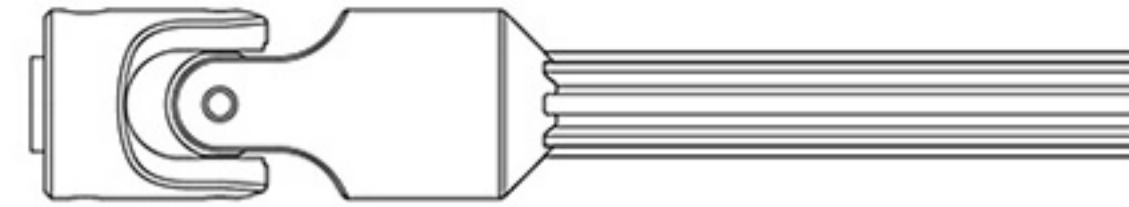
傳動軸

Lock nut M3 ×6
防鬆螺帽

M3×18 screw ×4
圓頭螺絲

Shaft screw ×4
銷釘螺絲

M3×30 screw ×2
圓頭螺絲



Driveshaft (267mm) ×1
長傳動軸

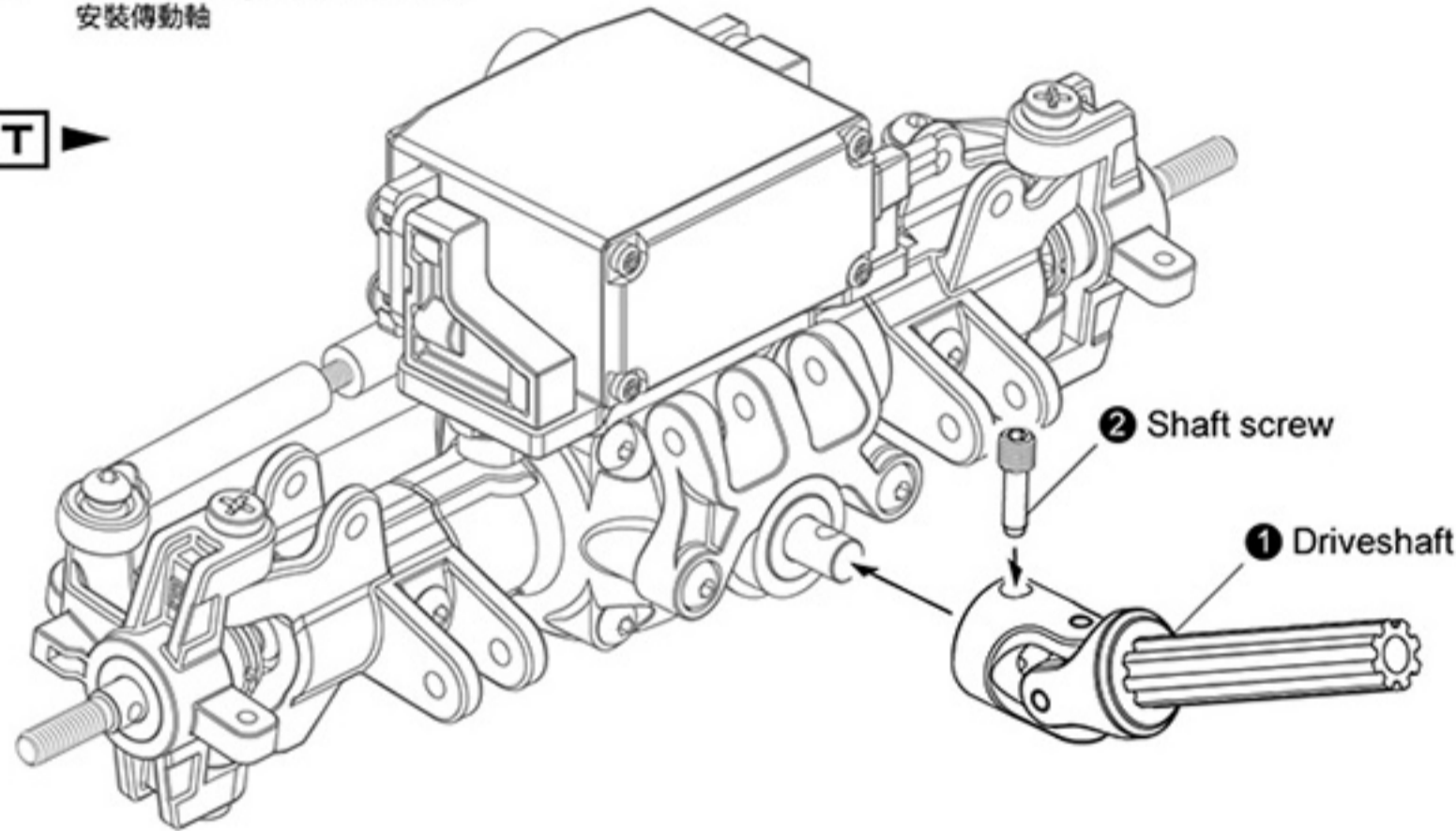


Driveshaft ×2
(242.252mm)
傳動軸

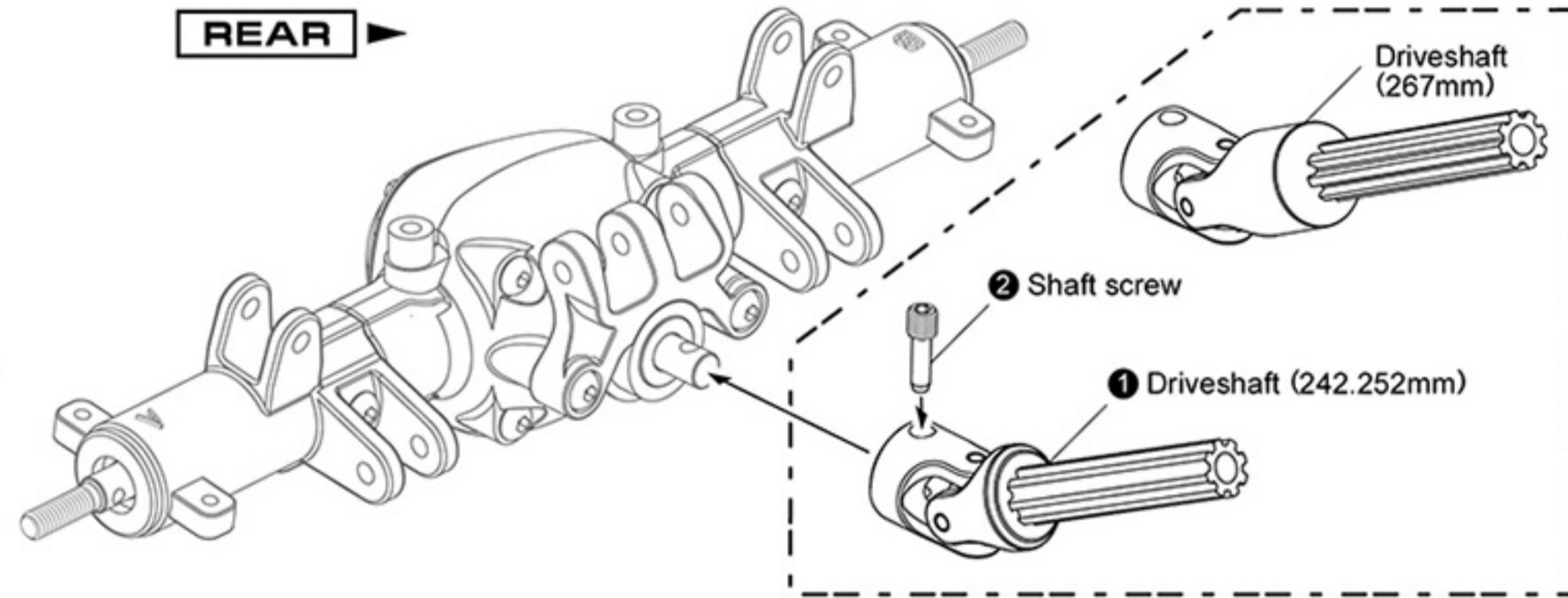
STEP 1 Attaching driveshaft

安裝傳動軸

FRONT

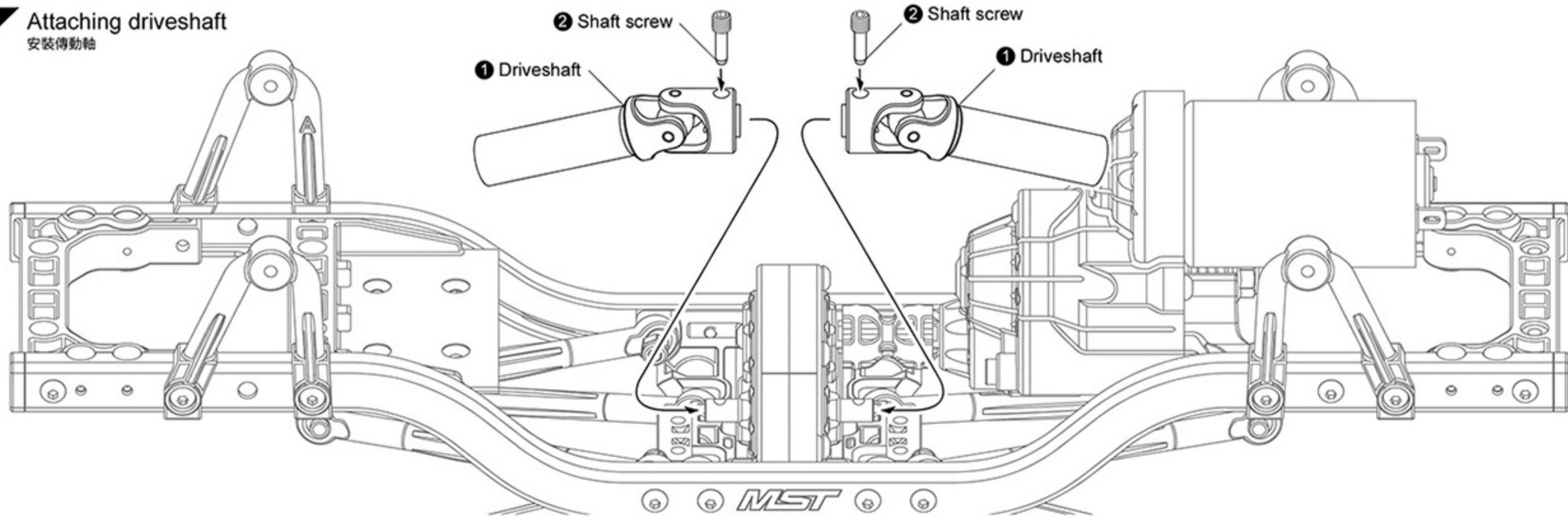


REAR

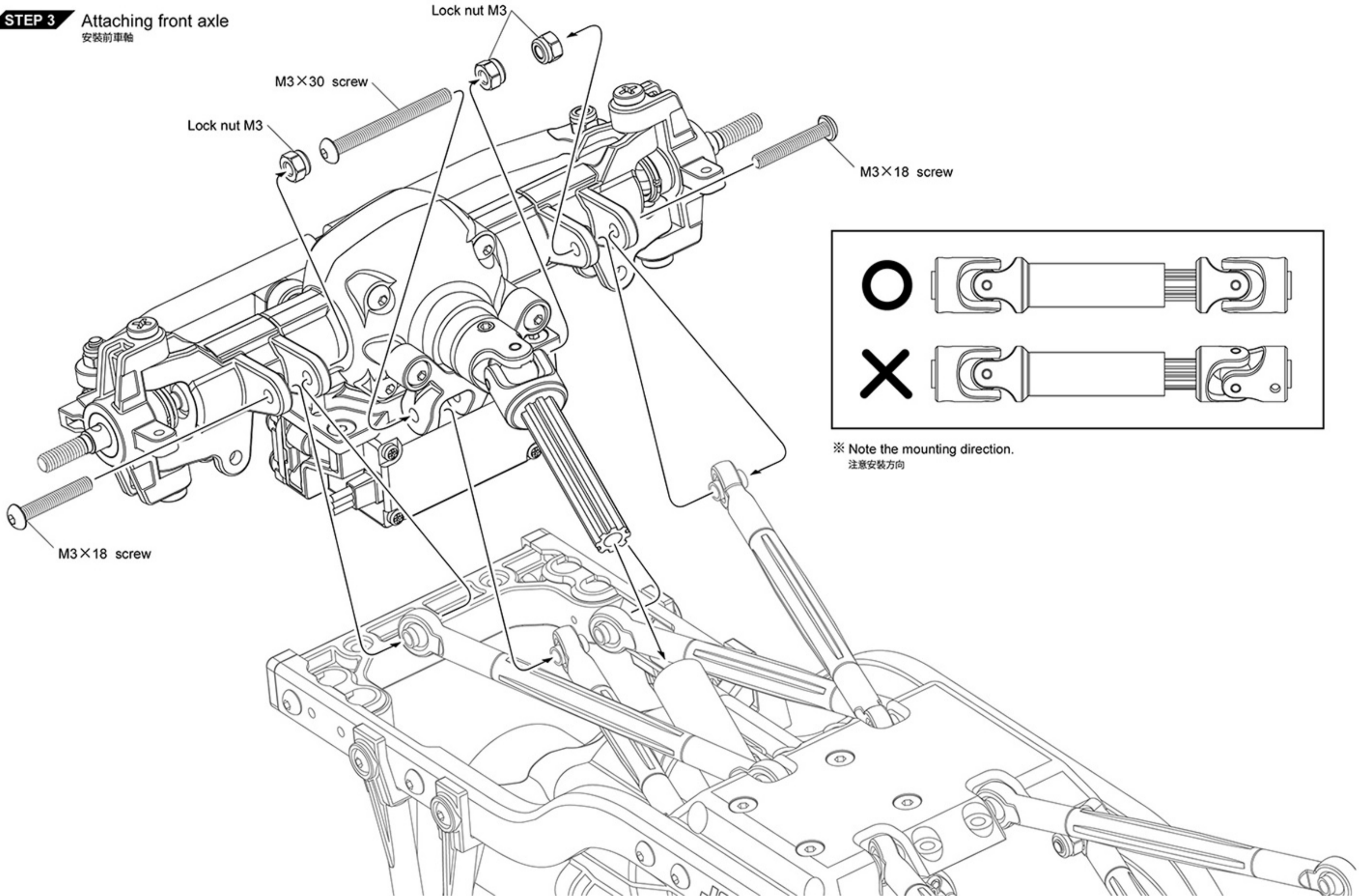


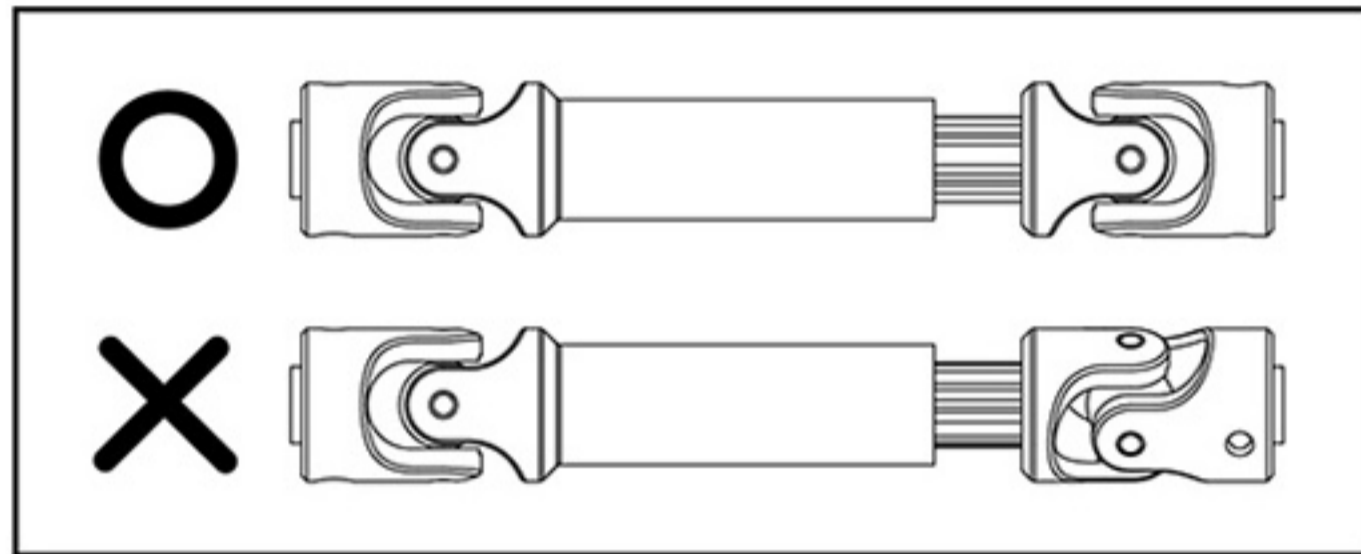
STEP 2 Attaching driveshaft

安裝傳動軸

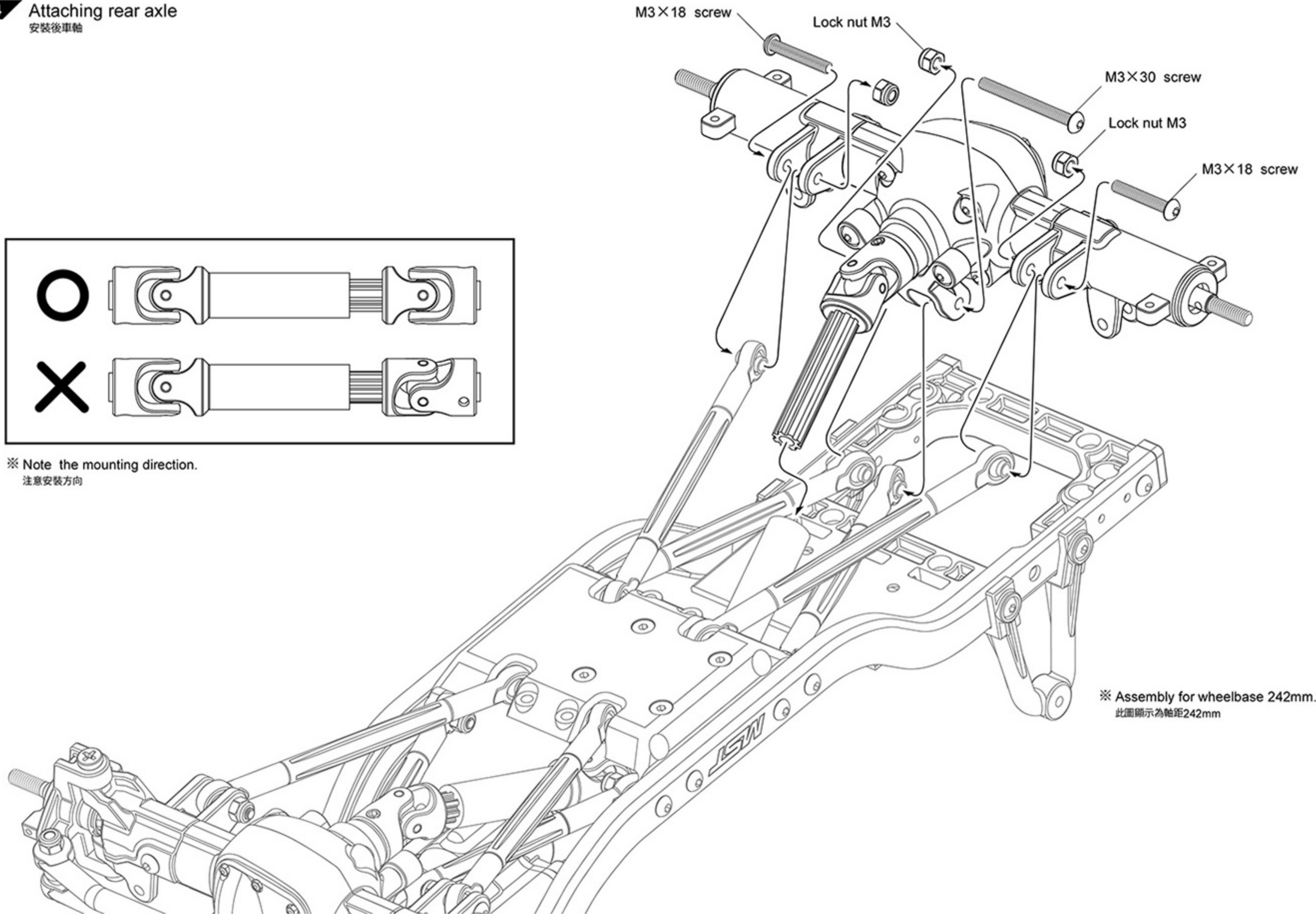


STEP 3 Attaching front axle
安裝前車軸



STEP 4 Attaching rear axle
安裝後車軸

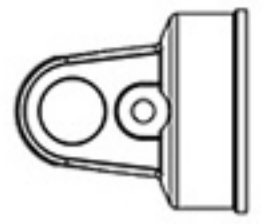
※ Note the mounting direction.
注意安裝方向



※ Assembly for wheelbase 242mm.
此圖顯示為軸距242mm

DAMPER

避震器



Cylinder cap ×4
避震器上蓋



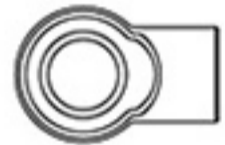
Rod guide cap ×4
避震器下蓋



Damper retainer ×4
避震器彈簧座



Spring holder ×4
彈簧托環



Damper adjuster ×4
避震器拉桿



Spring spacer ×4
彈簧調整扣 1mm



Spring spacer ×4
彈簧調整扣 2mm



Spring spacer ×4
彈簧調整扣 4mm



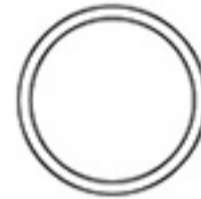
E-clip ×10
E扣



Lock nut M3 ×4
防鬆螺帽



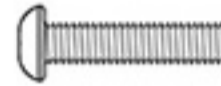
Damper O-ring P3 ×8
避震器O環



10.8×0.9 O-ring ×4
O環



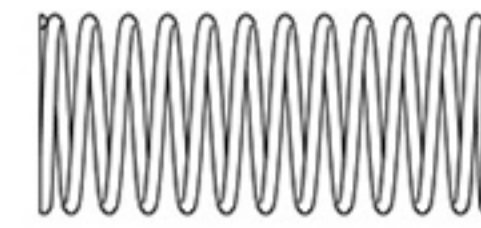
Piston ×4
活塞



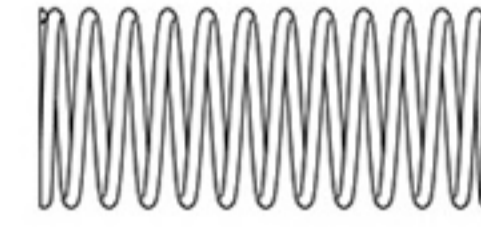
M3×14 screw ×4
圓頭螺絲



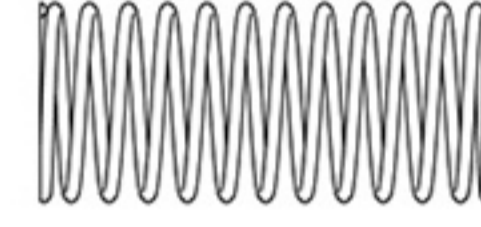
M3×16 screw ×4
圓頭螺絲



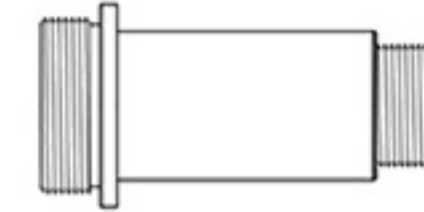
Coil spring 45mm (hard) (silver) ×4
避震彈簧 45mm (硬) (銀)



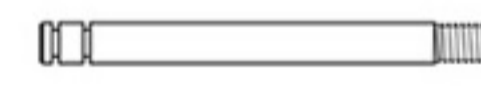
Coil spring 45mm (medium) (gold) ×4
避震彈簧 45mm (中) (金)



Coil spring 45mm (soft) (red) ×4
避震彈簧 45mm (軟) (紅)

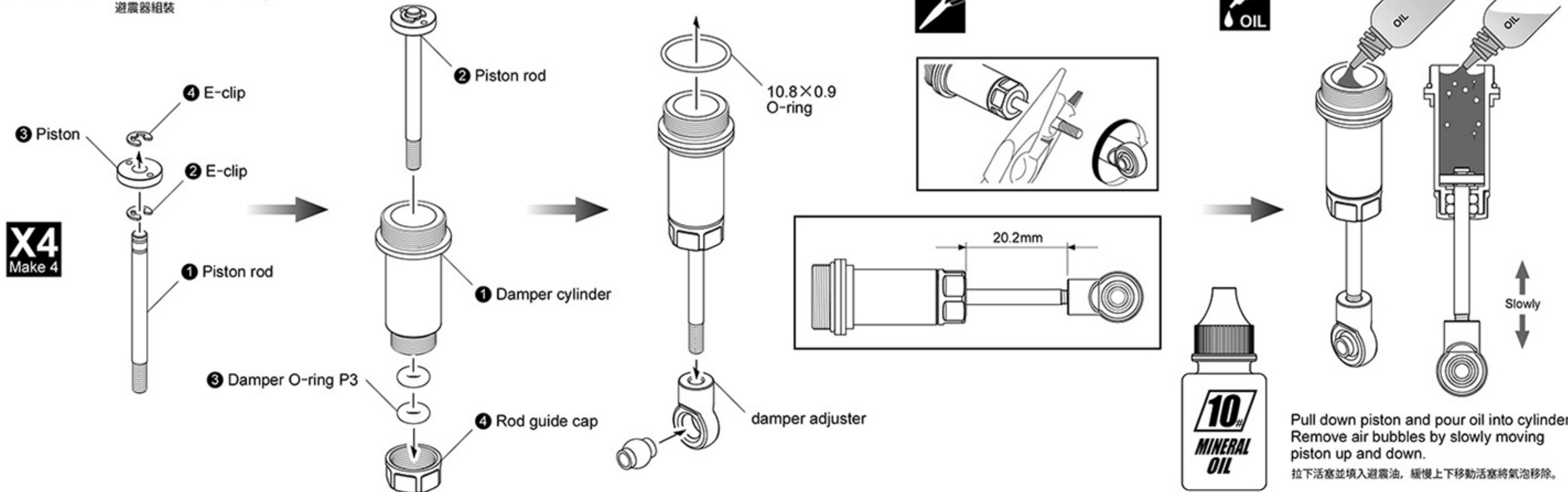


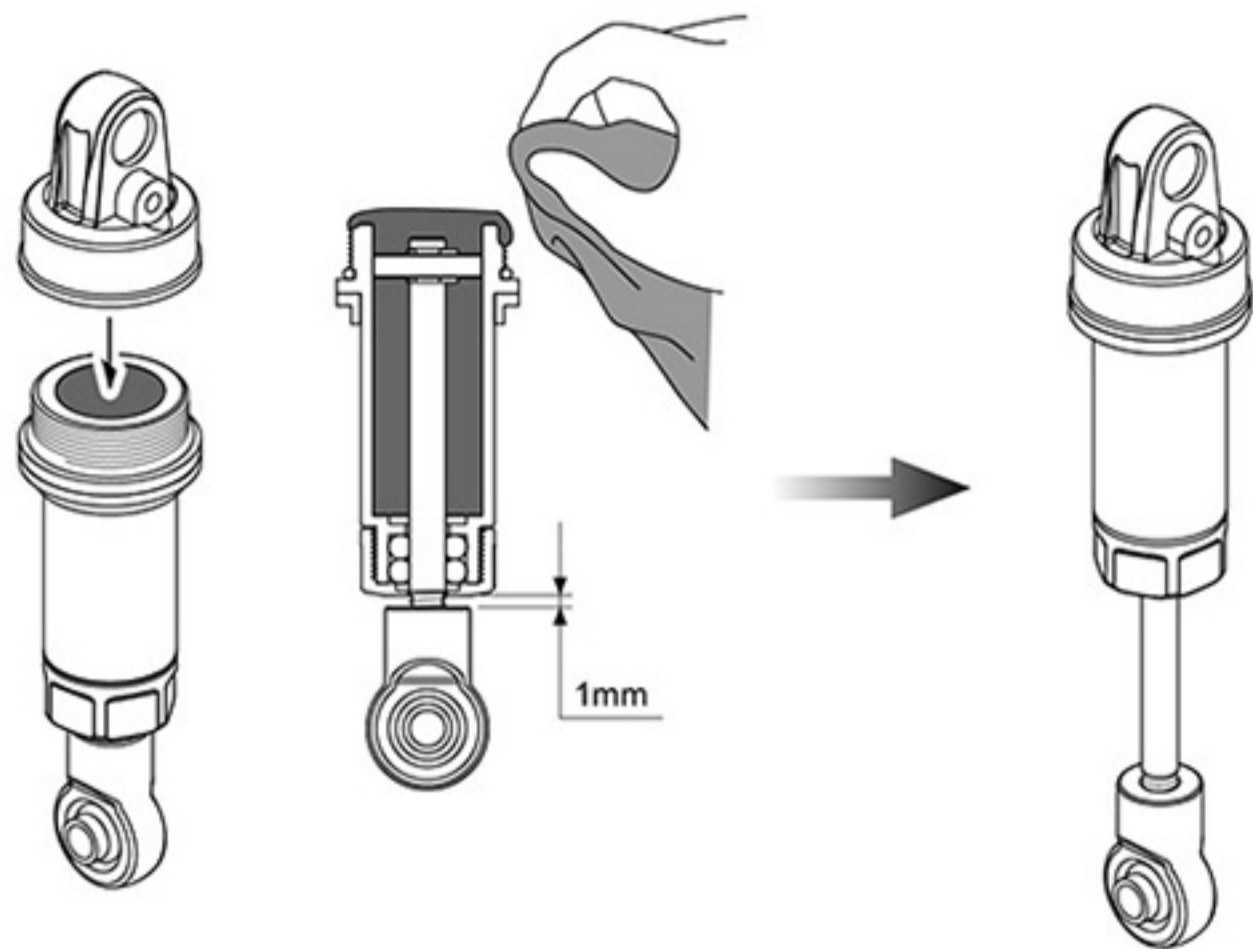
Damper cylinder ×4
避震筒身



Piston rod ×4
避震軸心

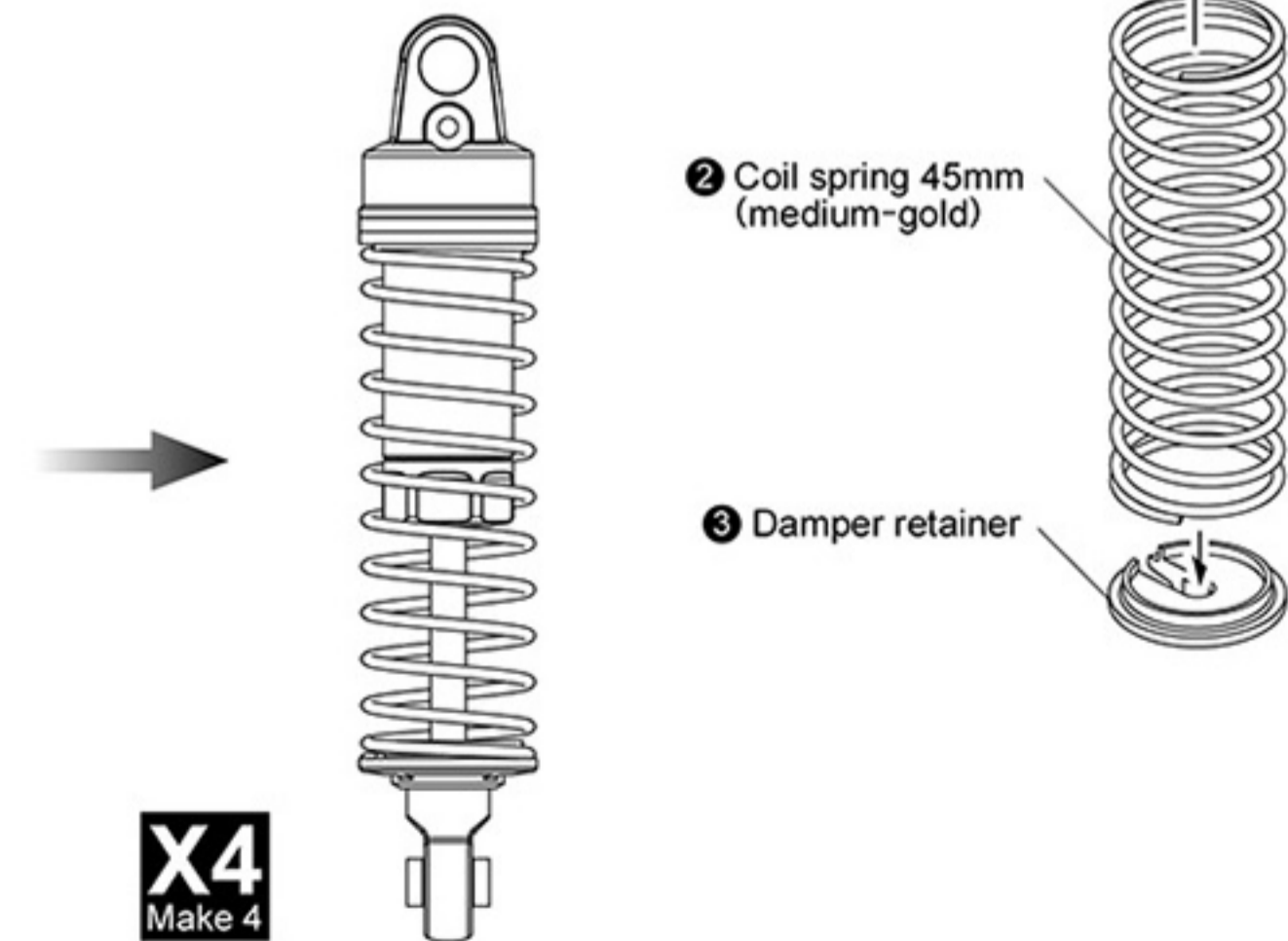
STEP 1 Damper assembly
避震器組裝



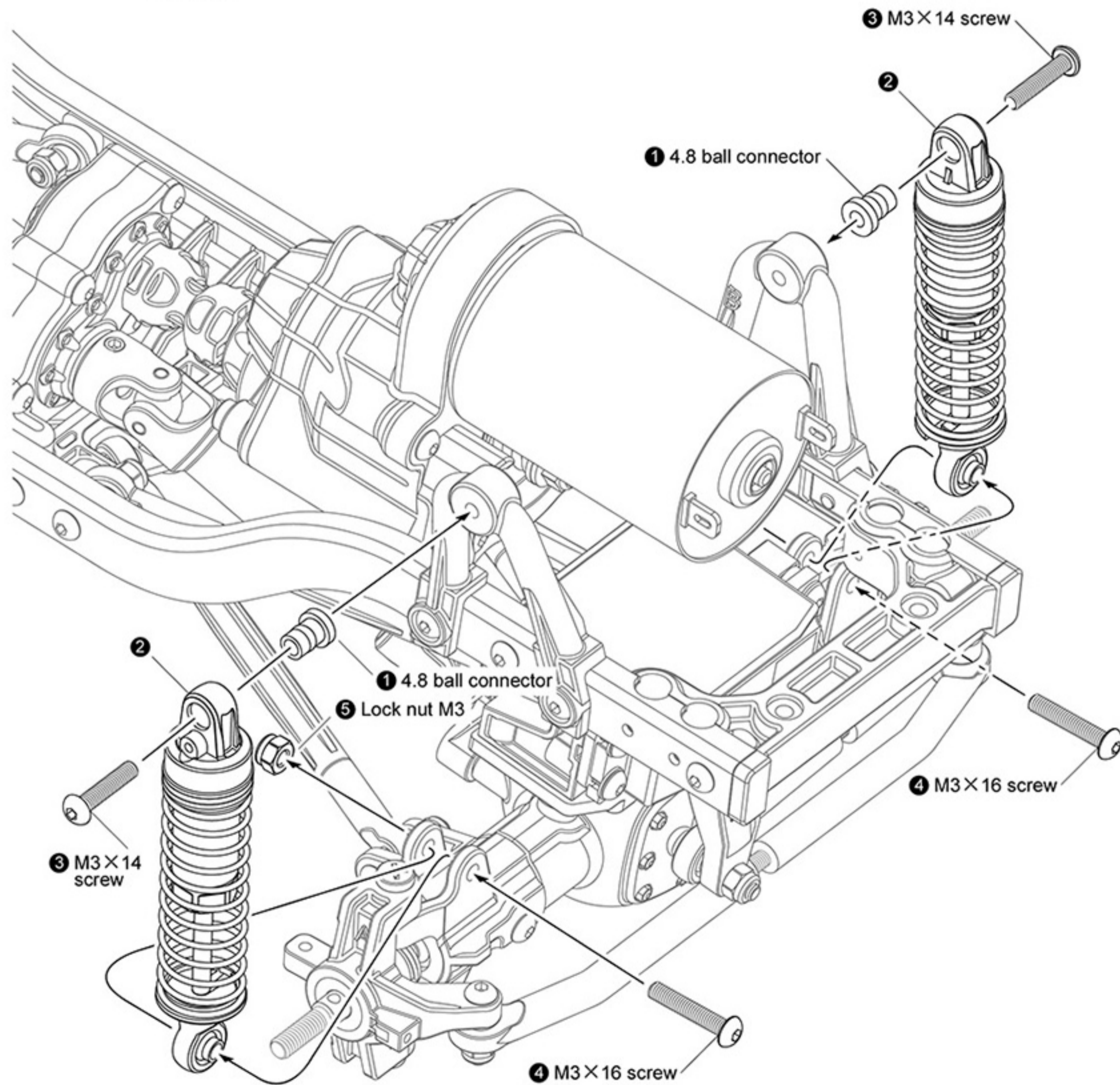
STEP 1 Damper assembly
避震器組裝

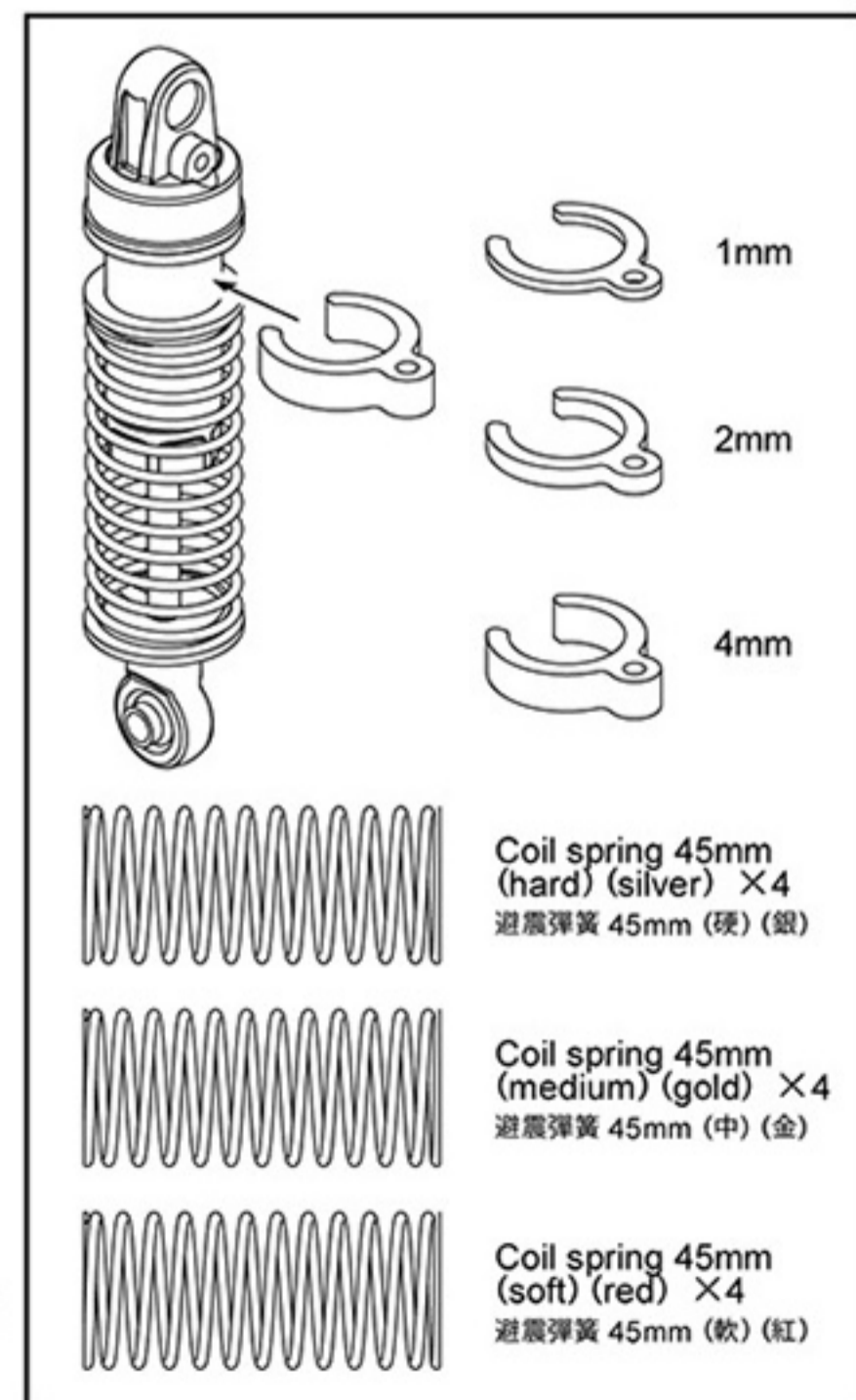
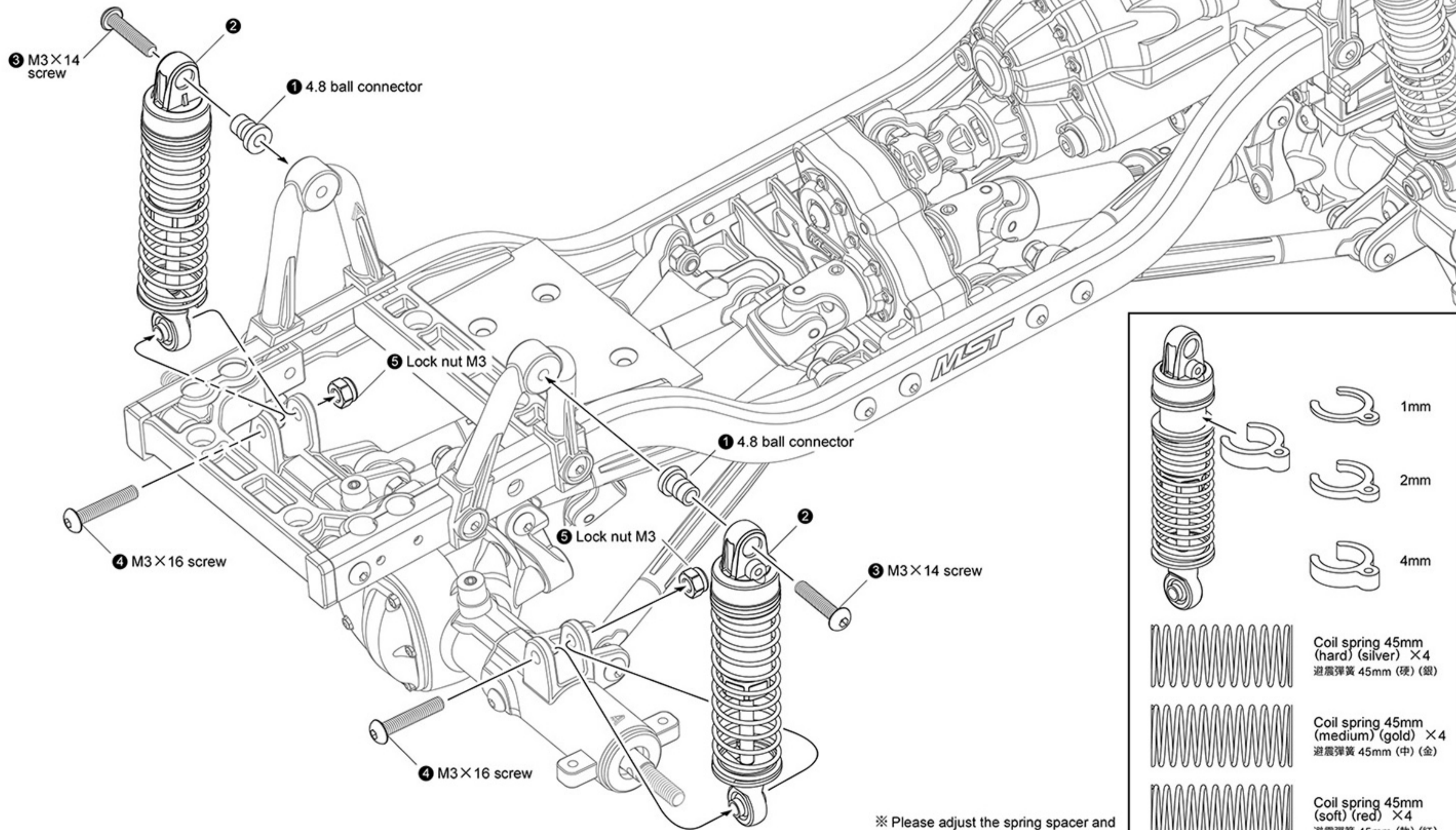
Pull down piston rod 1mm, attach cylinder cap and absorb oil overflow with tissue paper.

將軸心下拉1mm後，蓋上避震器上蓋並以面紙拭去溢出的砂油。



X4
Make 4

STEP 2 Attaching front damper
安裝前避震器

STEP 3 Attaching rear damper
安裝後避震器

※ Please adjust the spring spacer and spring according to the car height.
請依車高調整彈簧調整扣和彈簧。

◀ BATTERY MOUNT

電池座

M3×16 screw ×2
沉頭螺絲

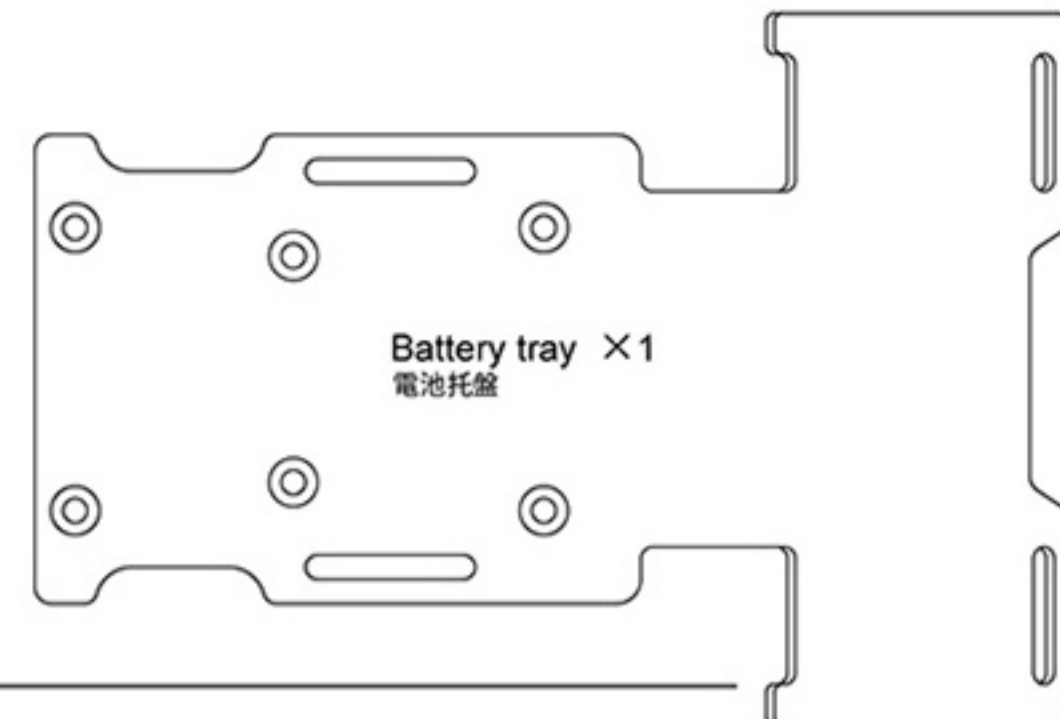
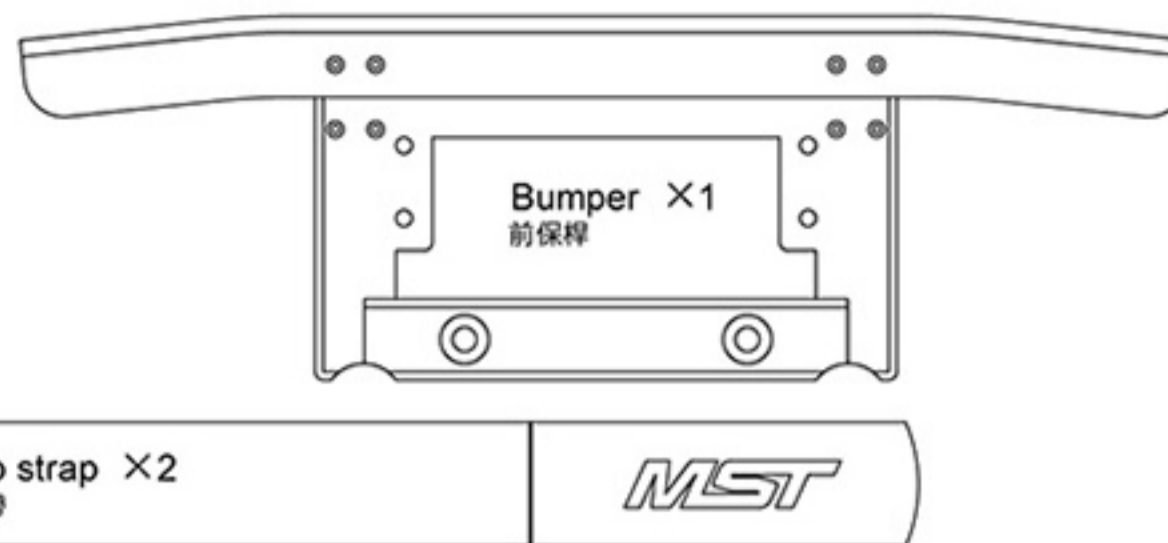
3×6×4 Spacer ×2
墊片

M3×25 screw ×2
圓頭螺絲

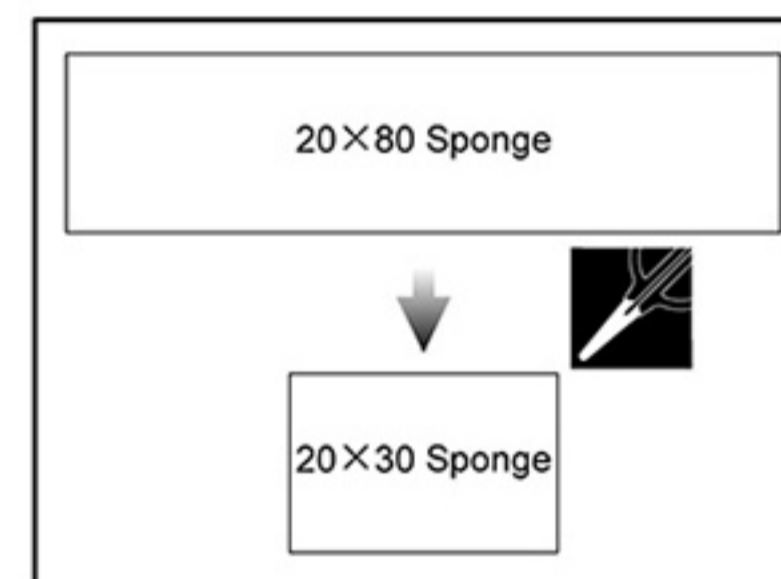
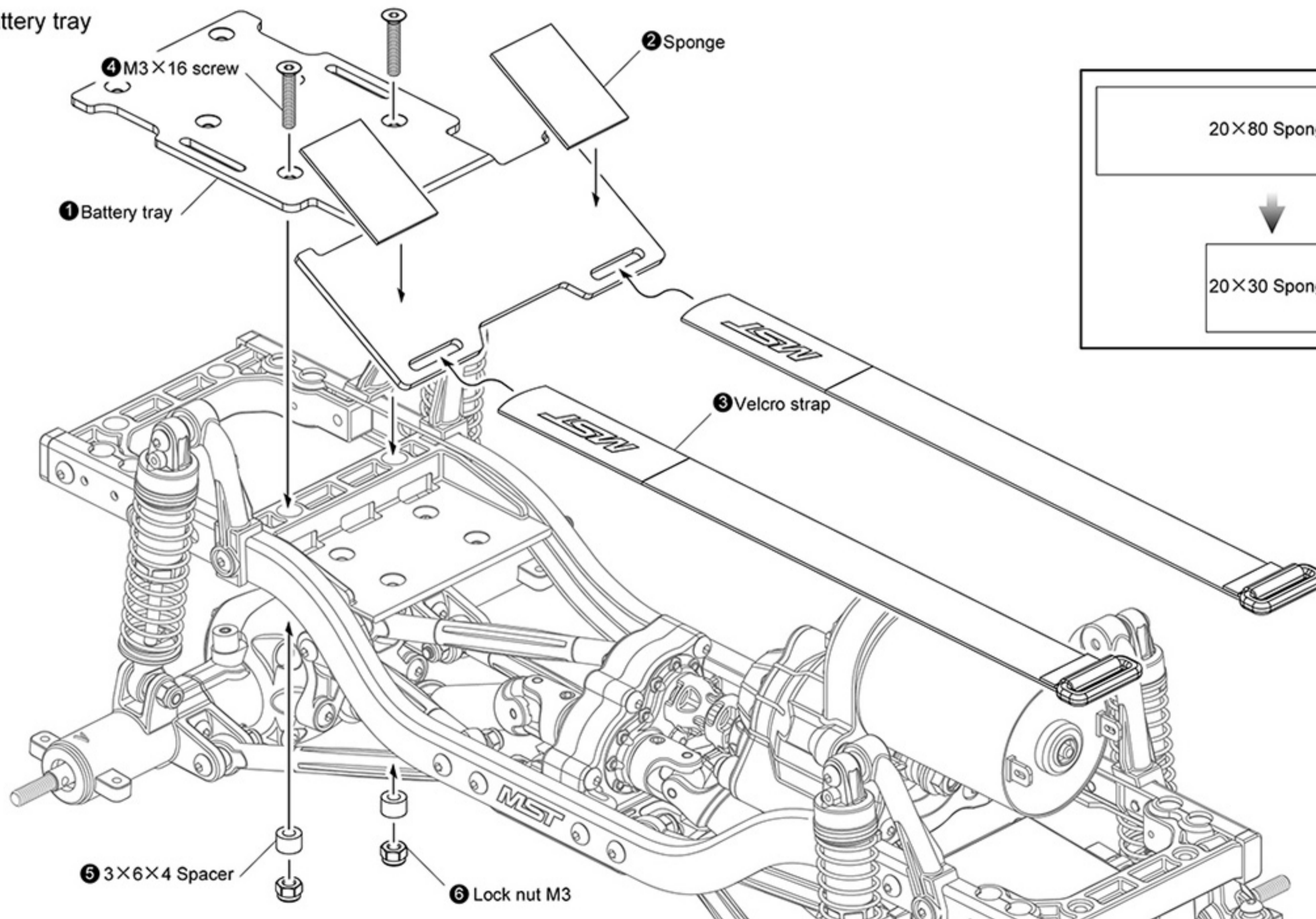
3×8×0.5 Spacer ×2
墊片

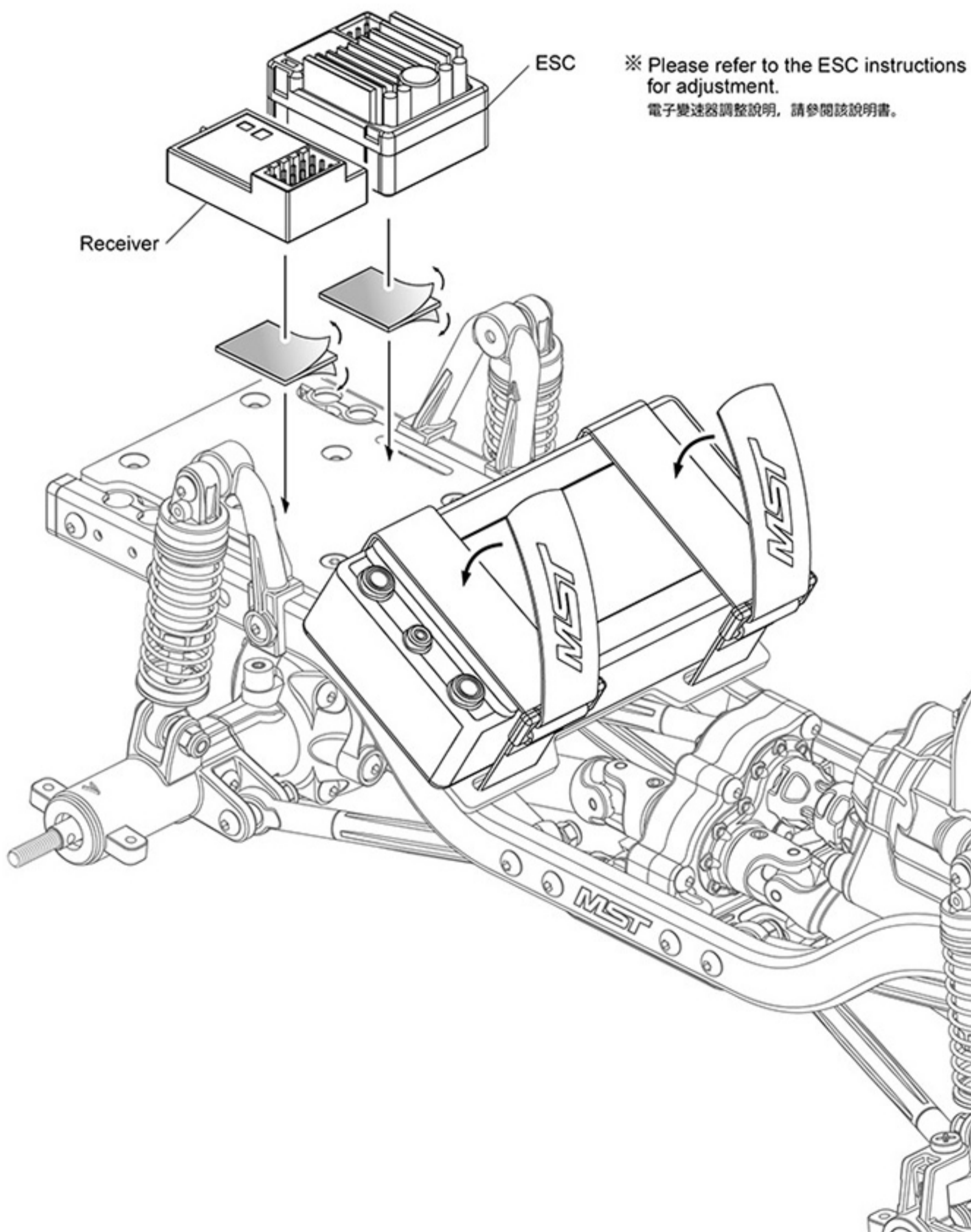
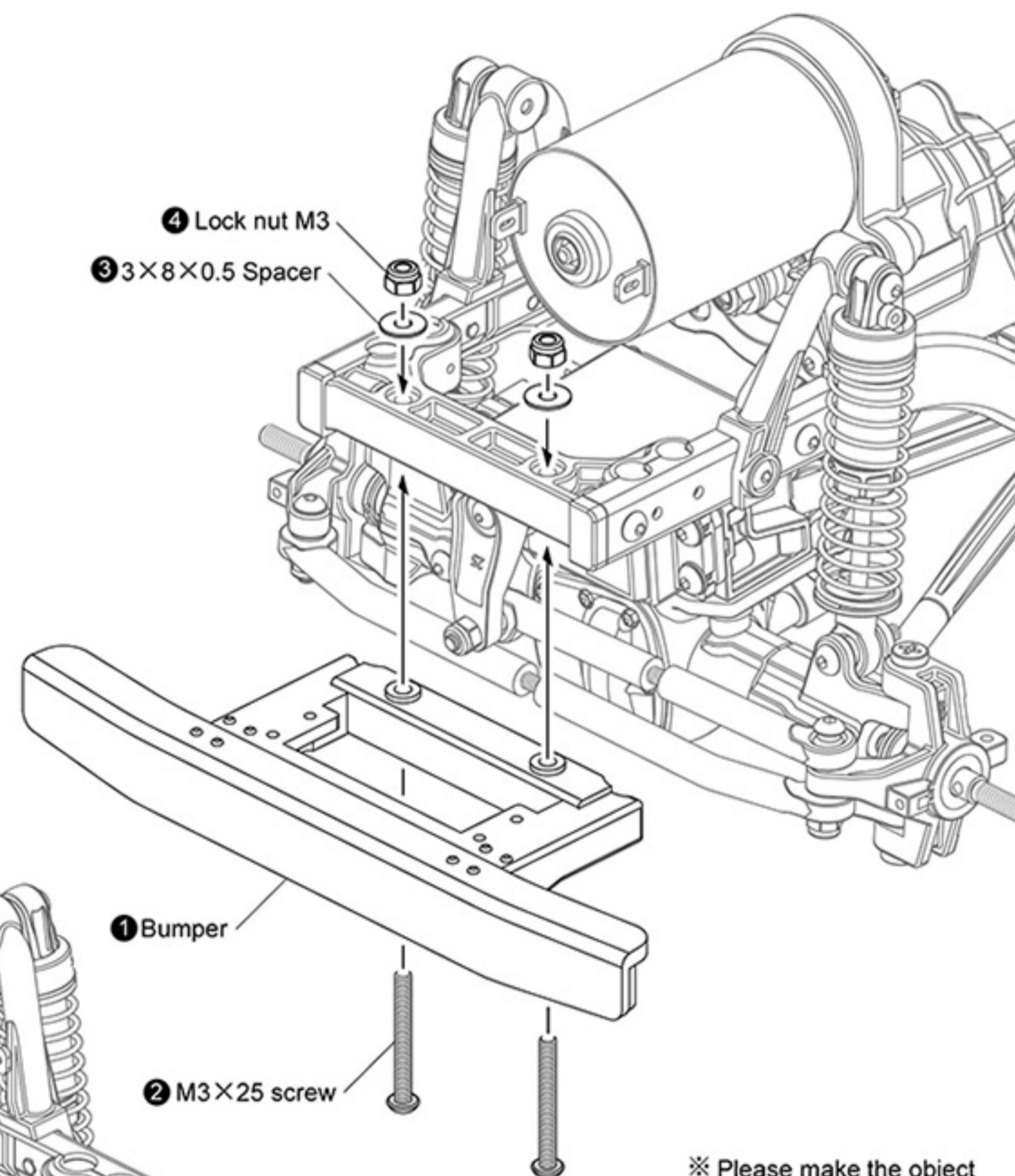
Lock nut M3 ×4
防鬆螺帽

Velcro strap ×2
電池束帶



STEP 1 Attaching battery tray
安裝電裝托盤



STEP 2 Attaching ESC、receiver
 安裝電子變速器、接收機

STEP 3 Attaching bumper
 安裝前保桿


※ Please make the object as the standard.
請依實際需求安裝。

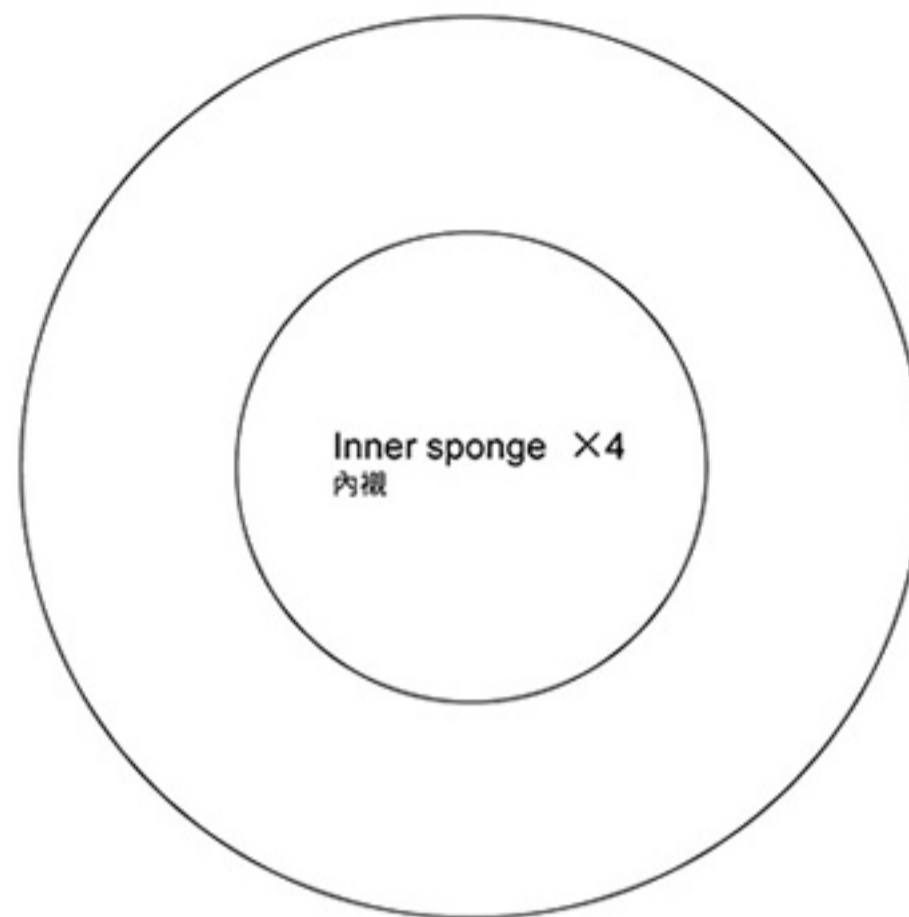
※ Please make the object as the standard.
請以實物為主。

2×9.8 Shaft ×4
插銷

Lock nut M4 ×4
防鬆螺帽



Wheel ×4
輪框

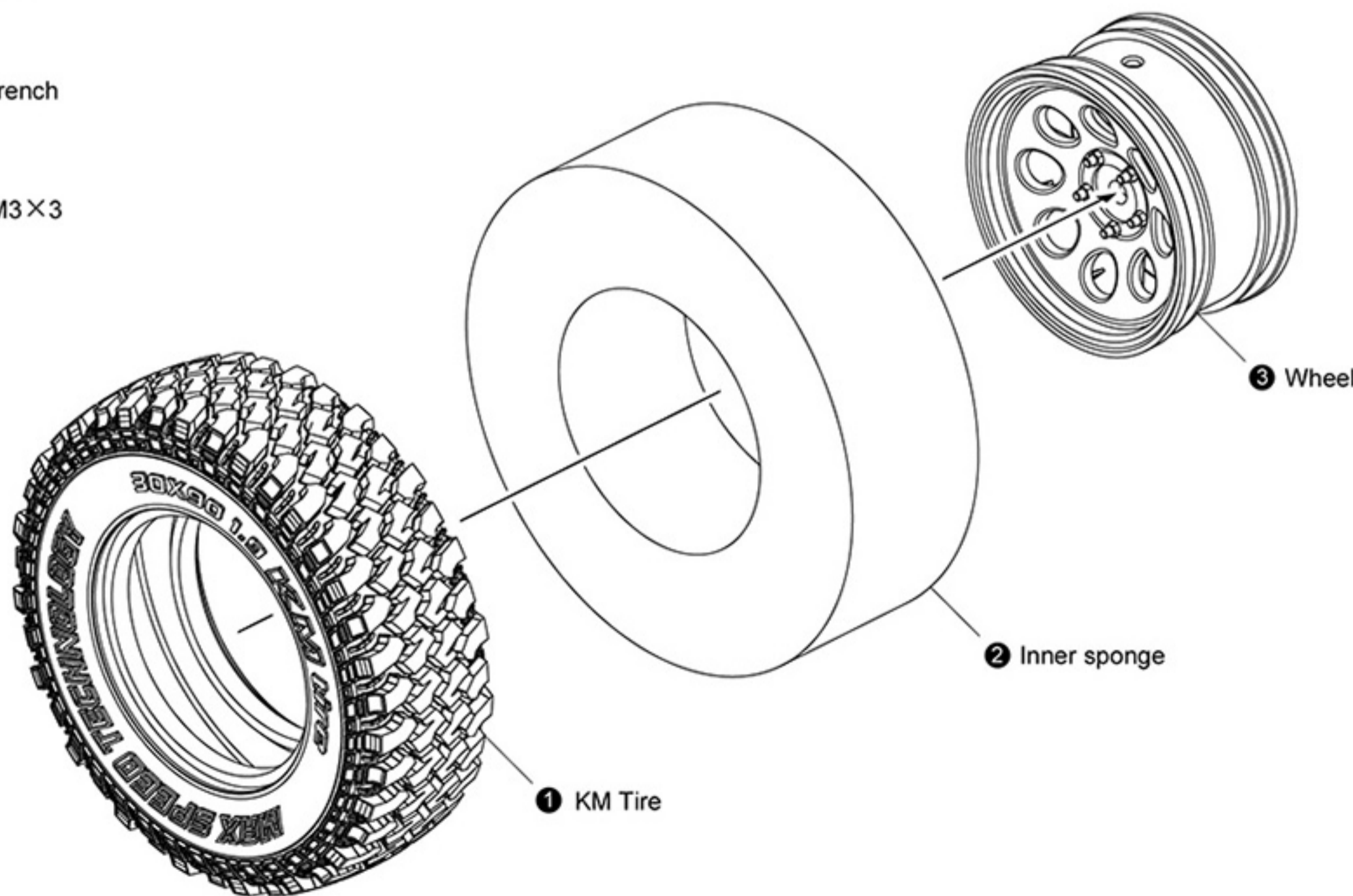
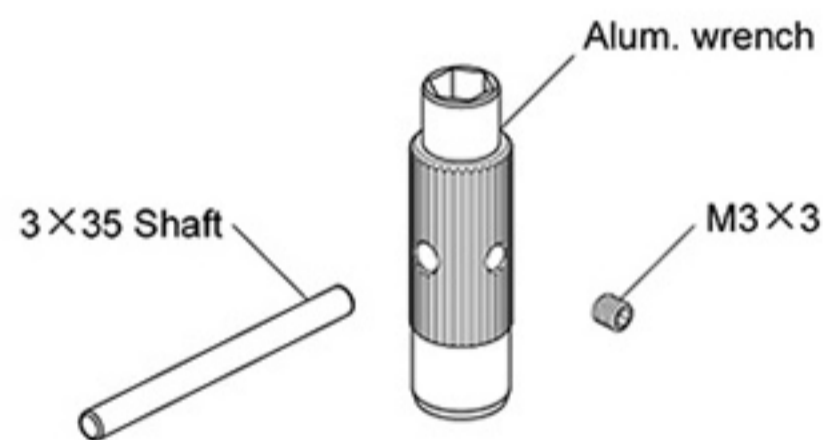


Inner sponge ×4
內襯



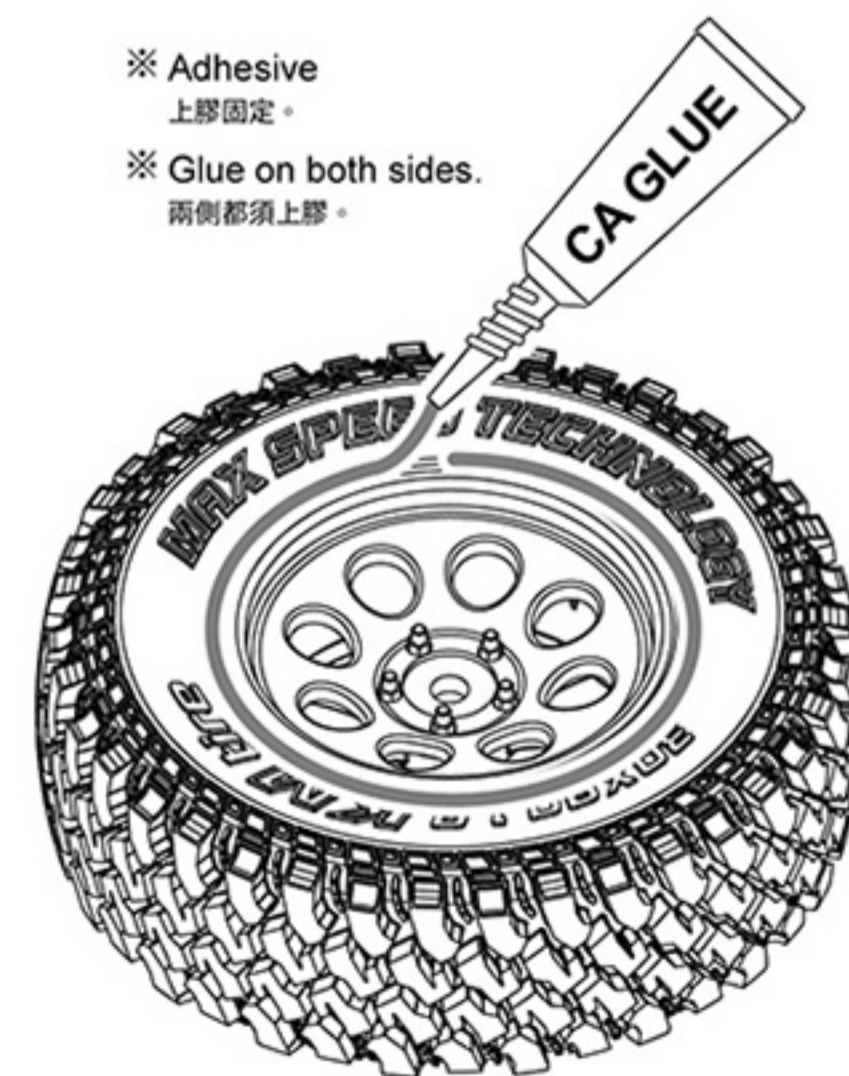
KM Crawler Tire ×4
KM 攀岩胎

STEP 1 Assemble tire and wheel
胎框組合



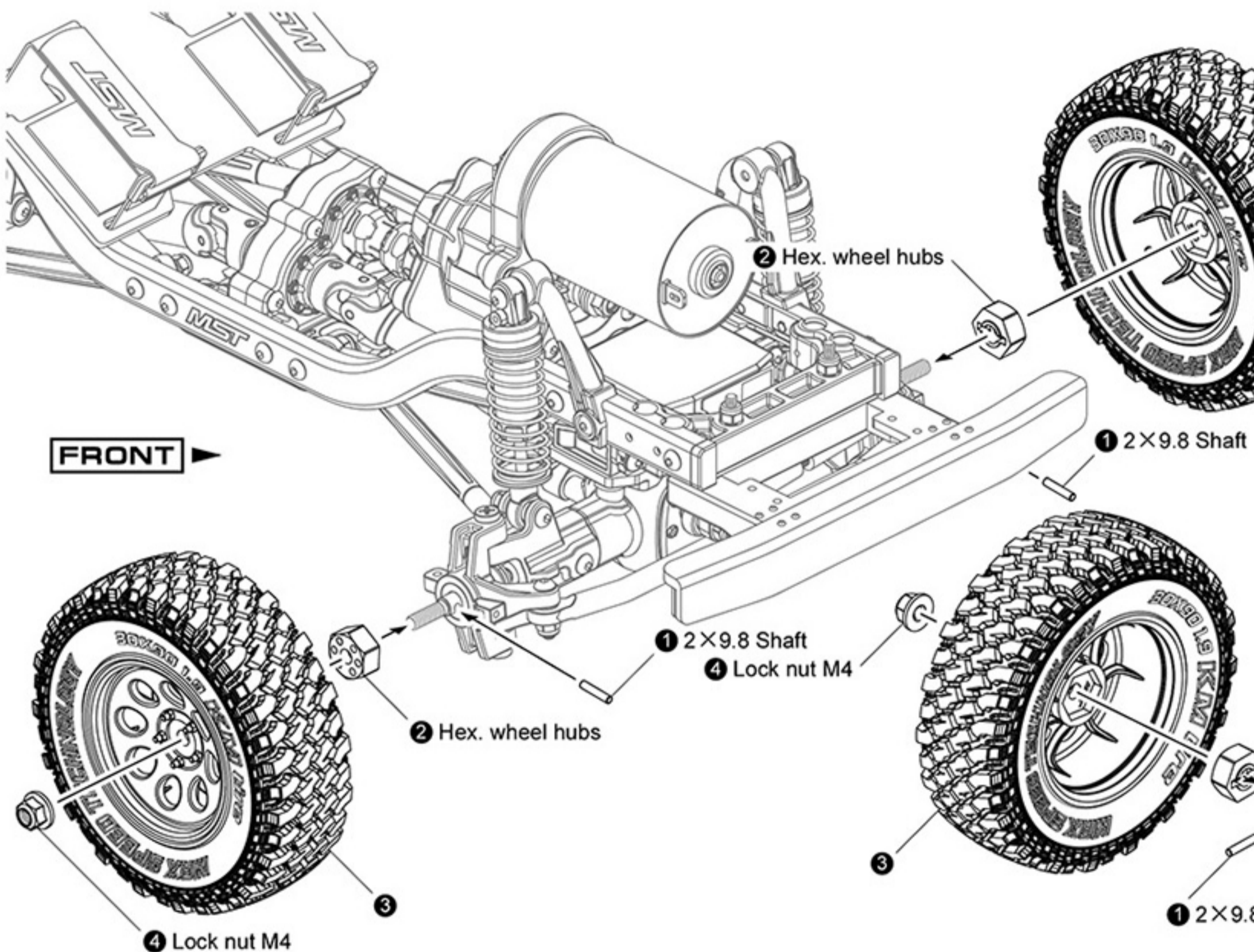
X4
Make 4

※ Adhesive
上膠固定。
※ Glue on both sides.
兩側都須上膠。

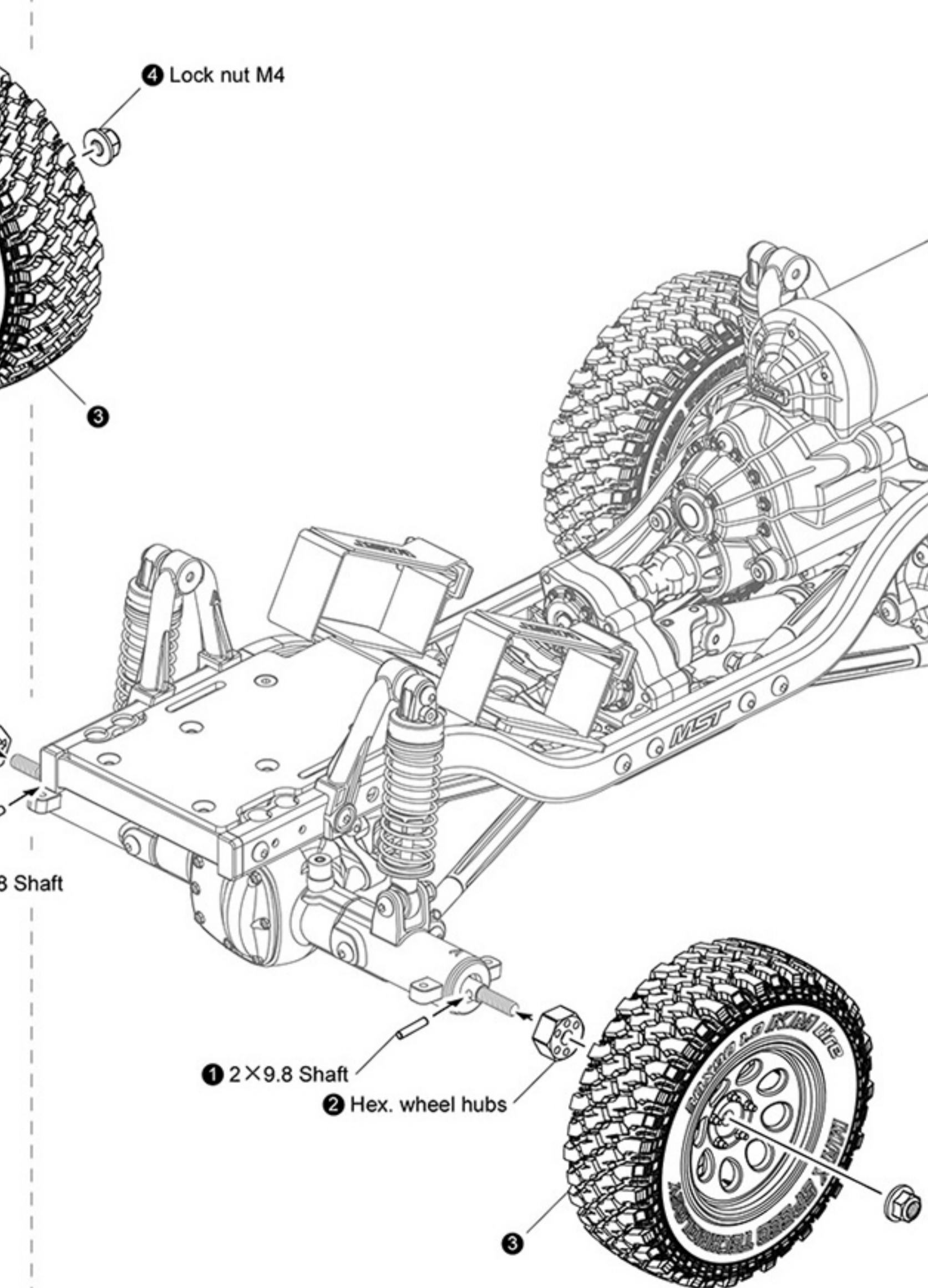


※ Please operate it at ventilated place.
請於通風處進行上膠。

STEP 2 Attaching front wheels
安裝前輪



STEP 3 Attaching rear wheels
安裝後輪

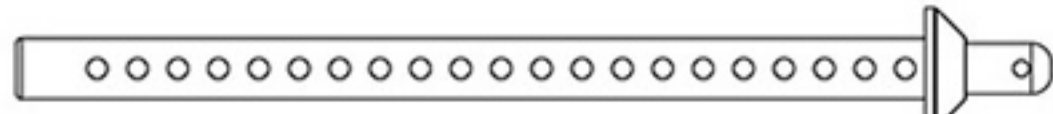


◀ BODY MOUNTS

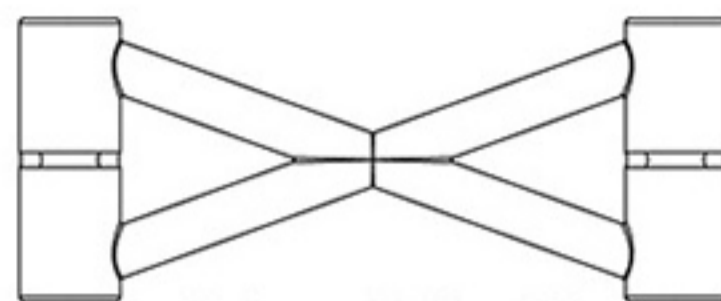
車殼固定座



Body mount extension ×2
車殼延伸柱



Body mount ×4
車殼支柱



Body mount holder ×2
車殼支柱連接架



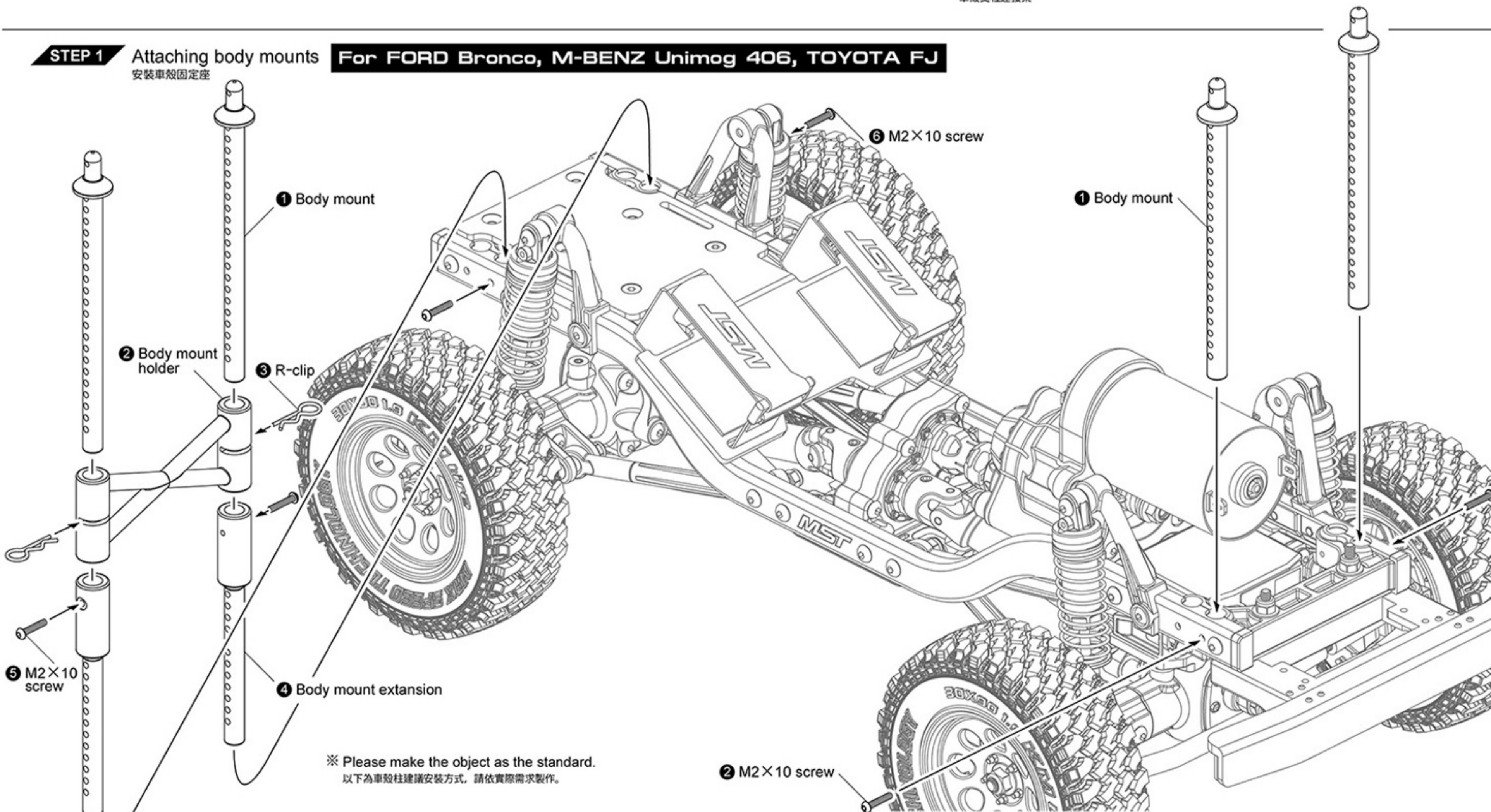
R-clip ×9
R形扣



M2×10 Screw ×6
圓頭螺絲

STEP 1 Attaching body mounts
安裝車殼固定座

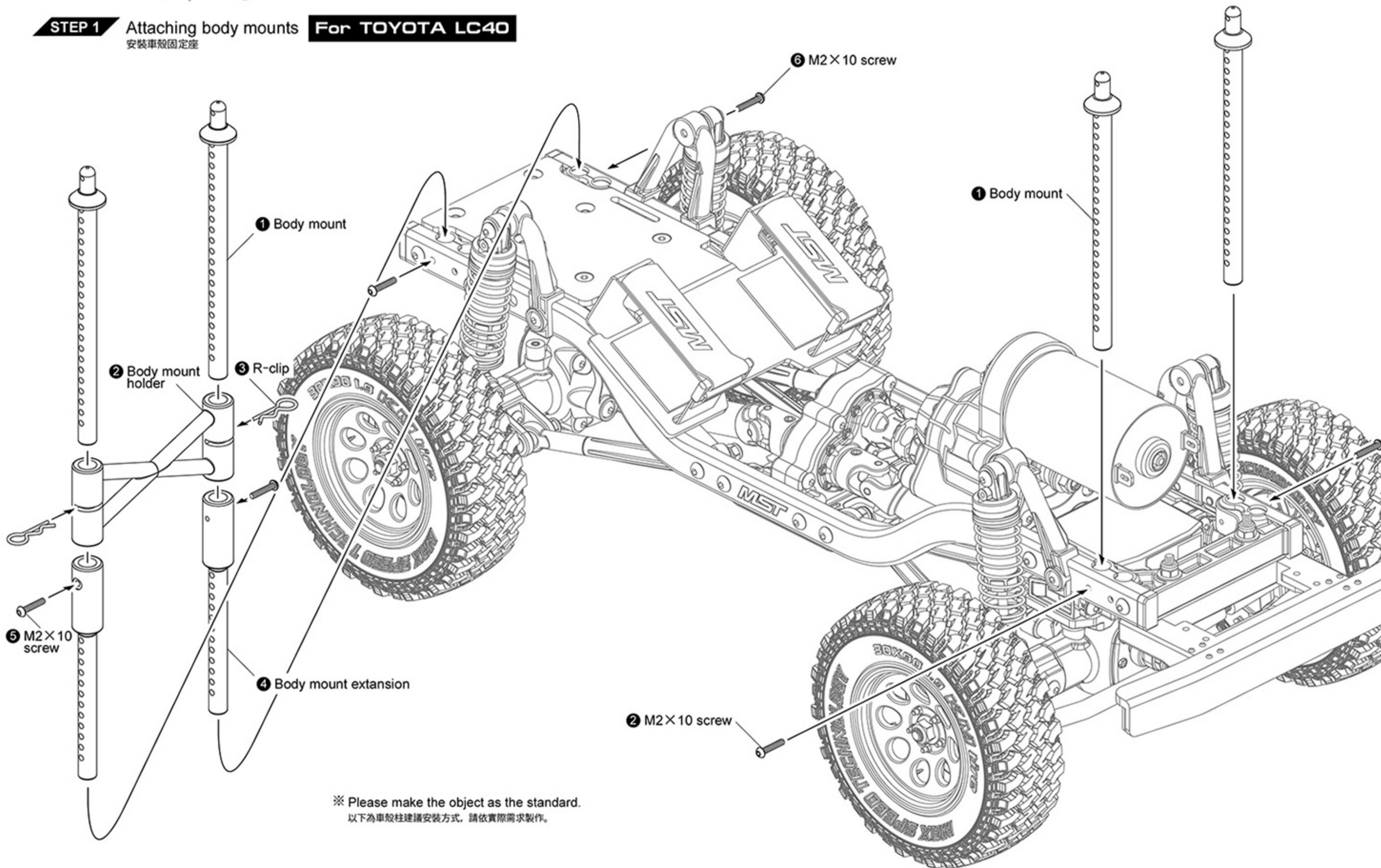
For FORD Bronco, M-BENZ Unimog 406, TOYOTA FJ



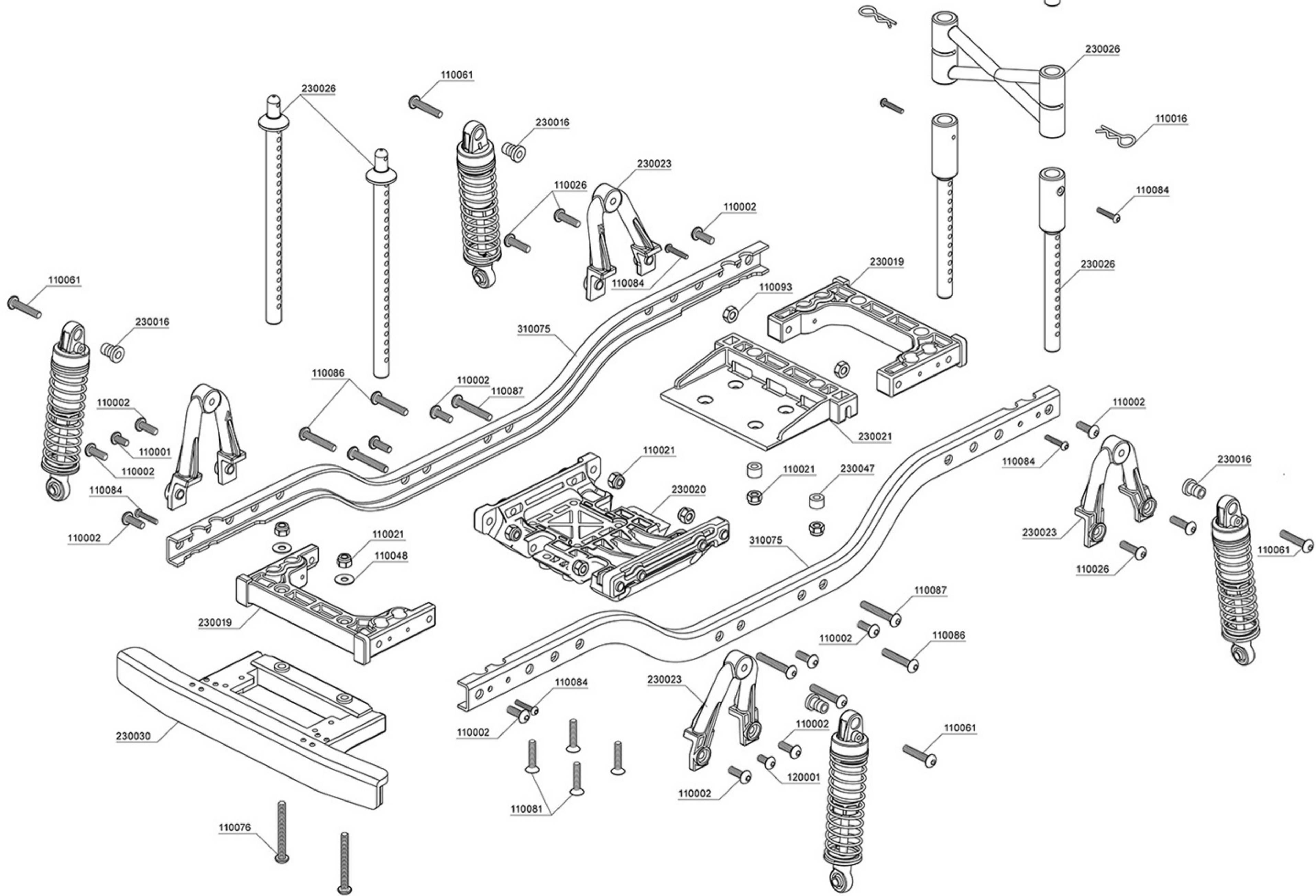
※ Please make the object as the standard.
以下為車殼柱建議安裝方式，請依實際需求製作。

STEP 1 Attaching body mounts
安裝車殼固定座

For TOYOTA LC40

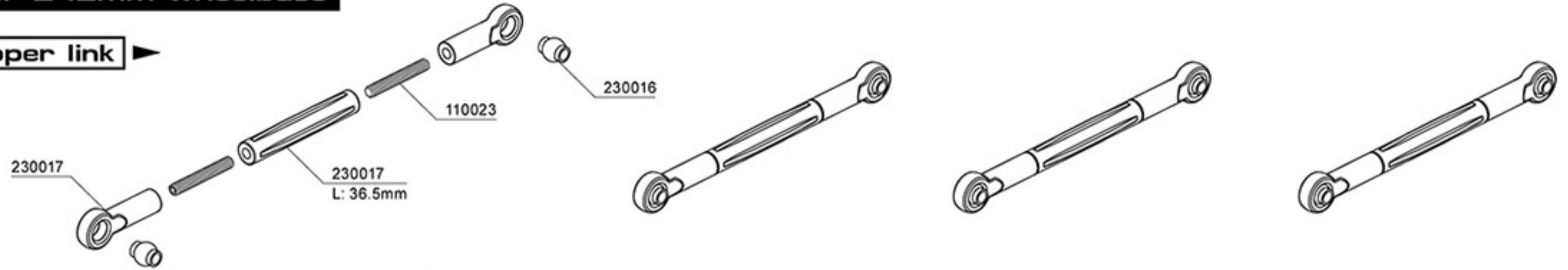


※ Please make the object as the standard.
以下為車殼柱建議安裝方式，請依實際需求製作。

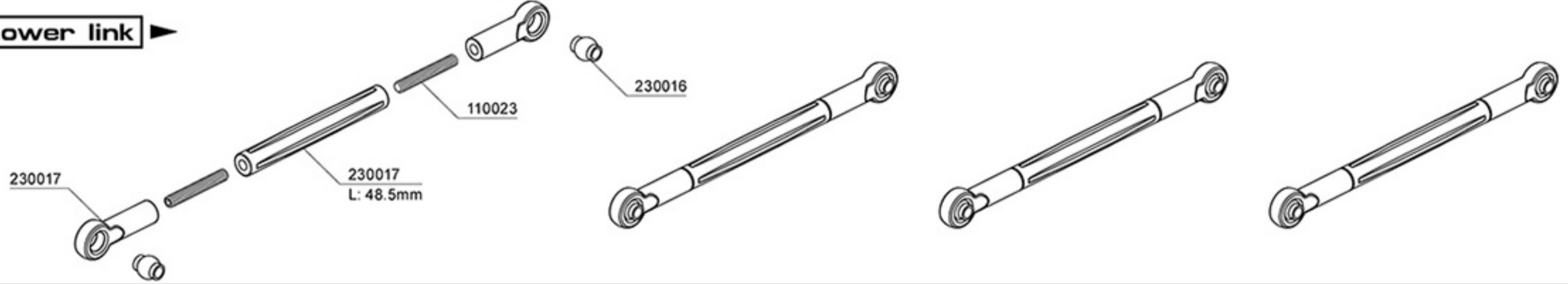


For 242mm wheelbase

Upper link

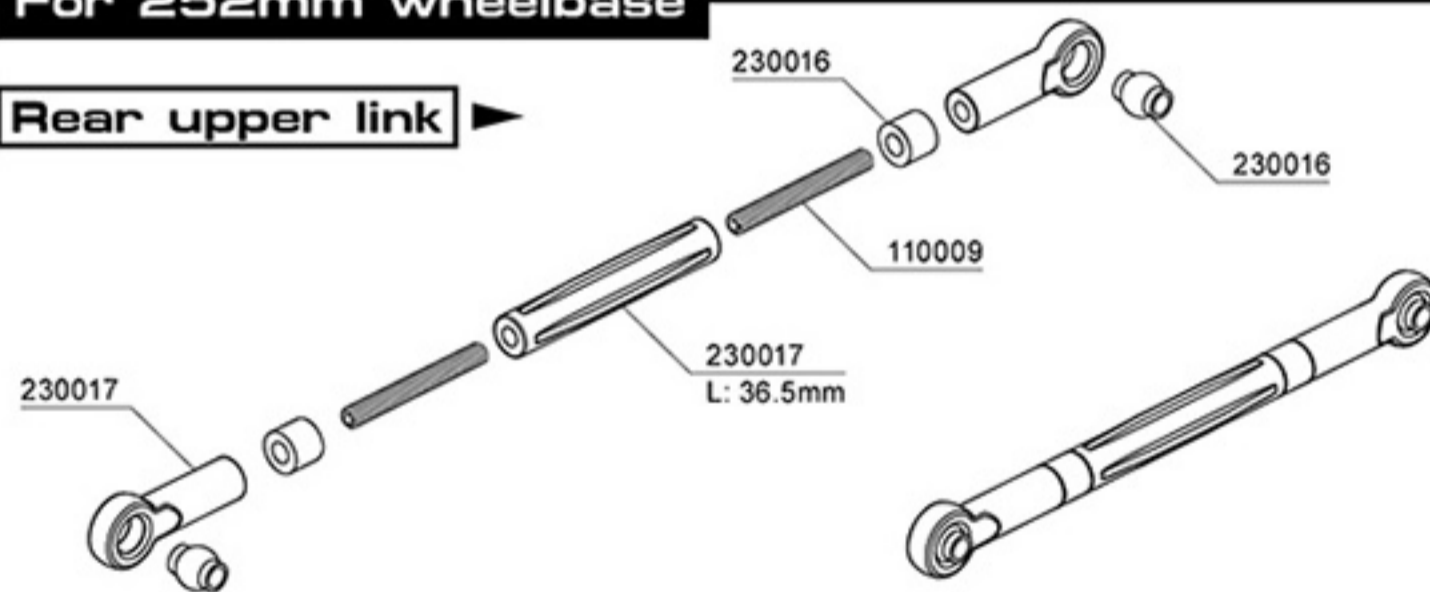


Lower link

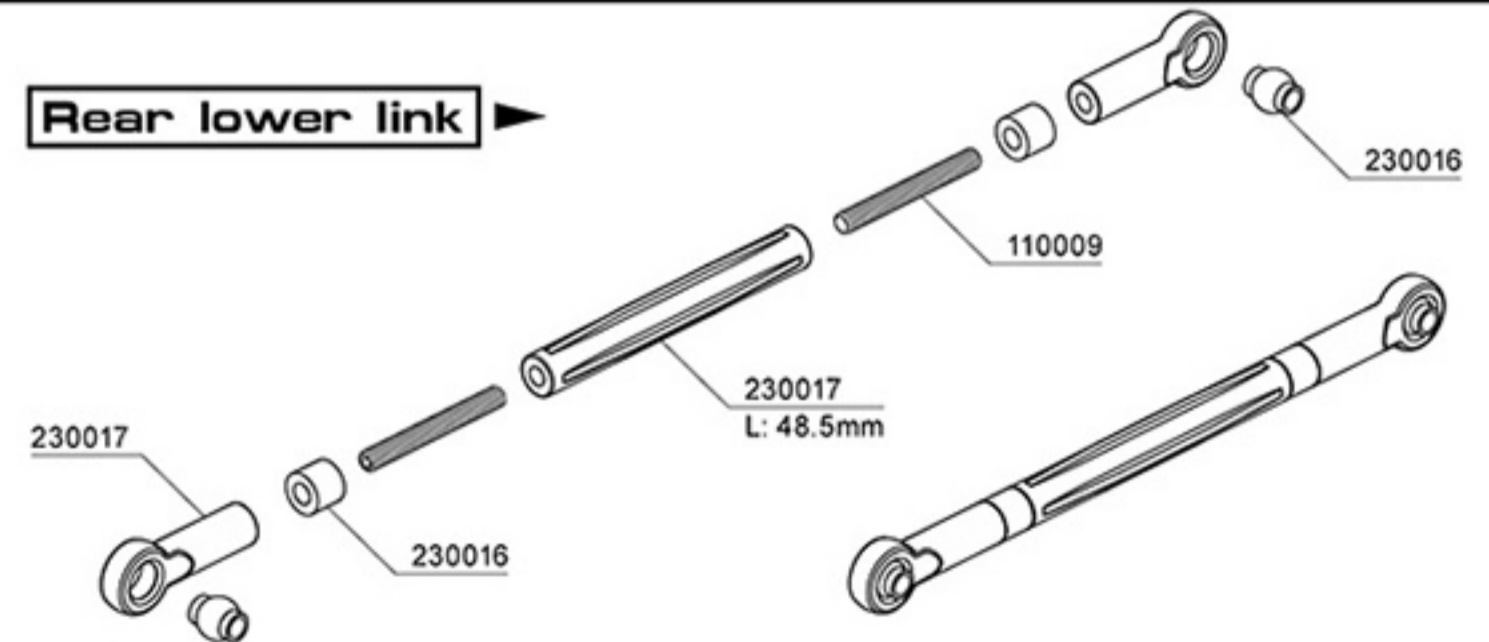


For 252mm wheelbase

Rear upper link

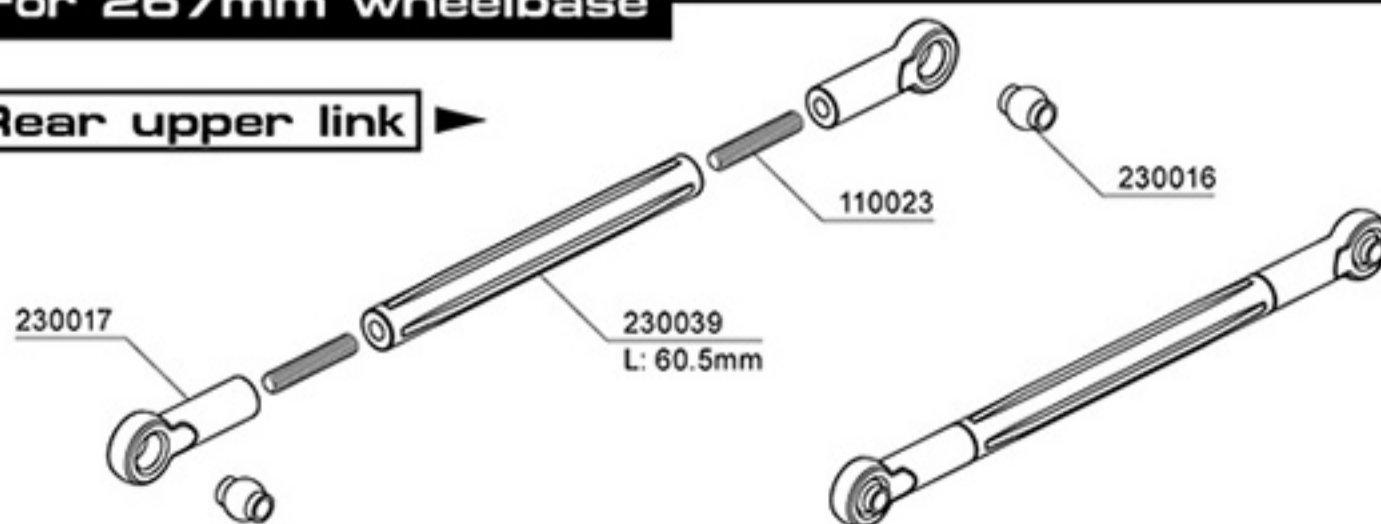


Rear lower link

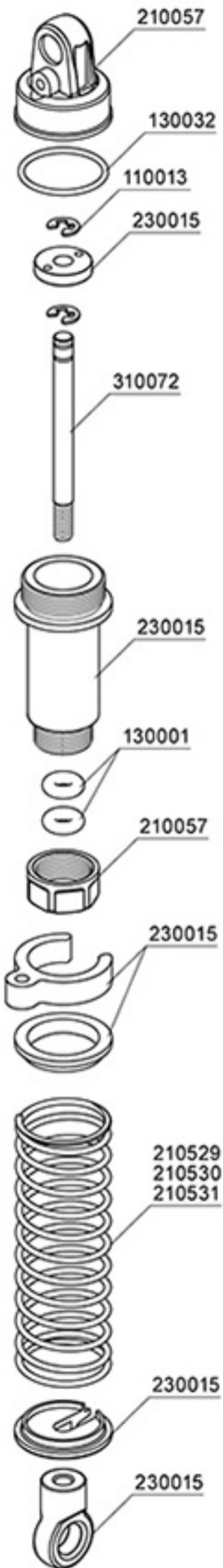
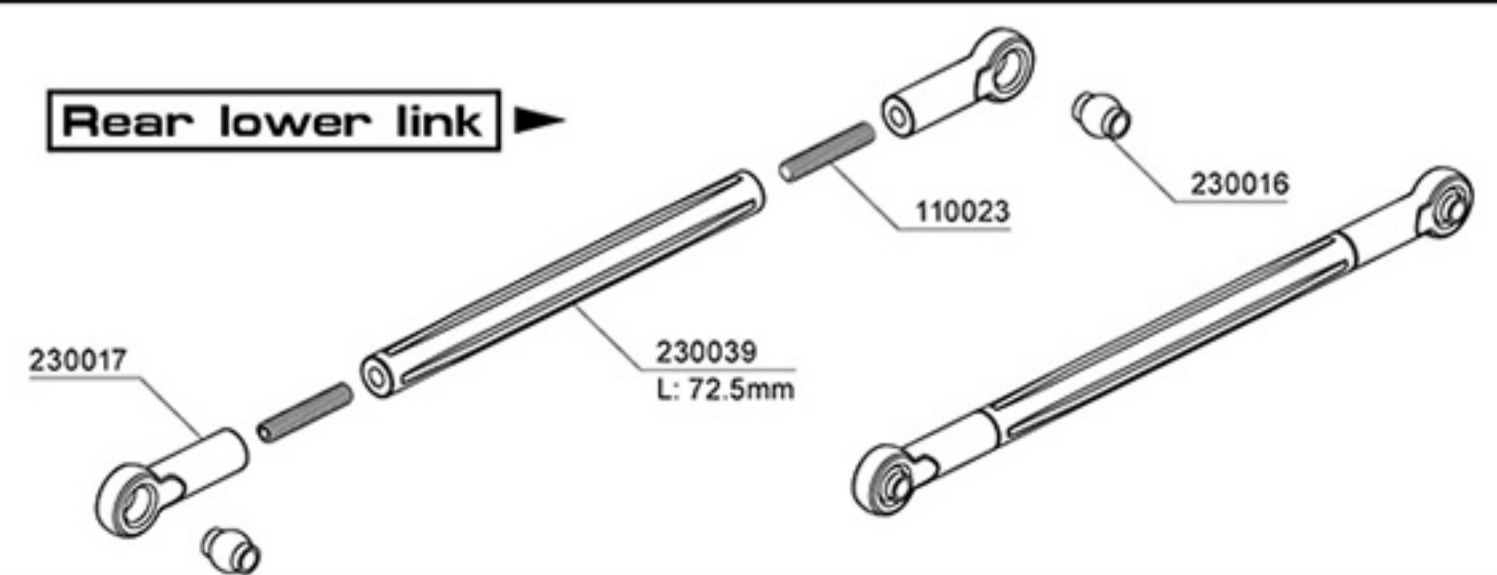


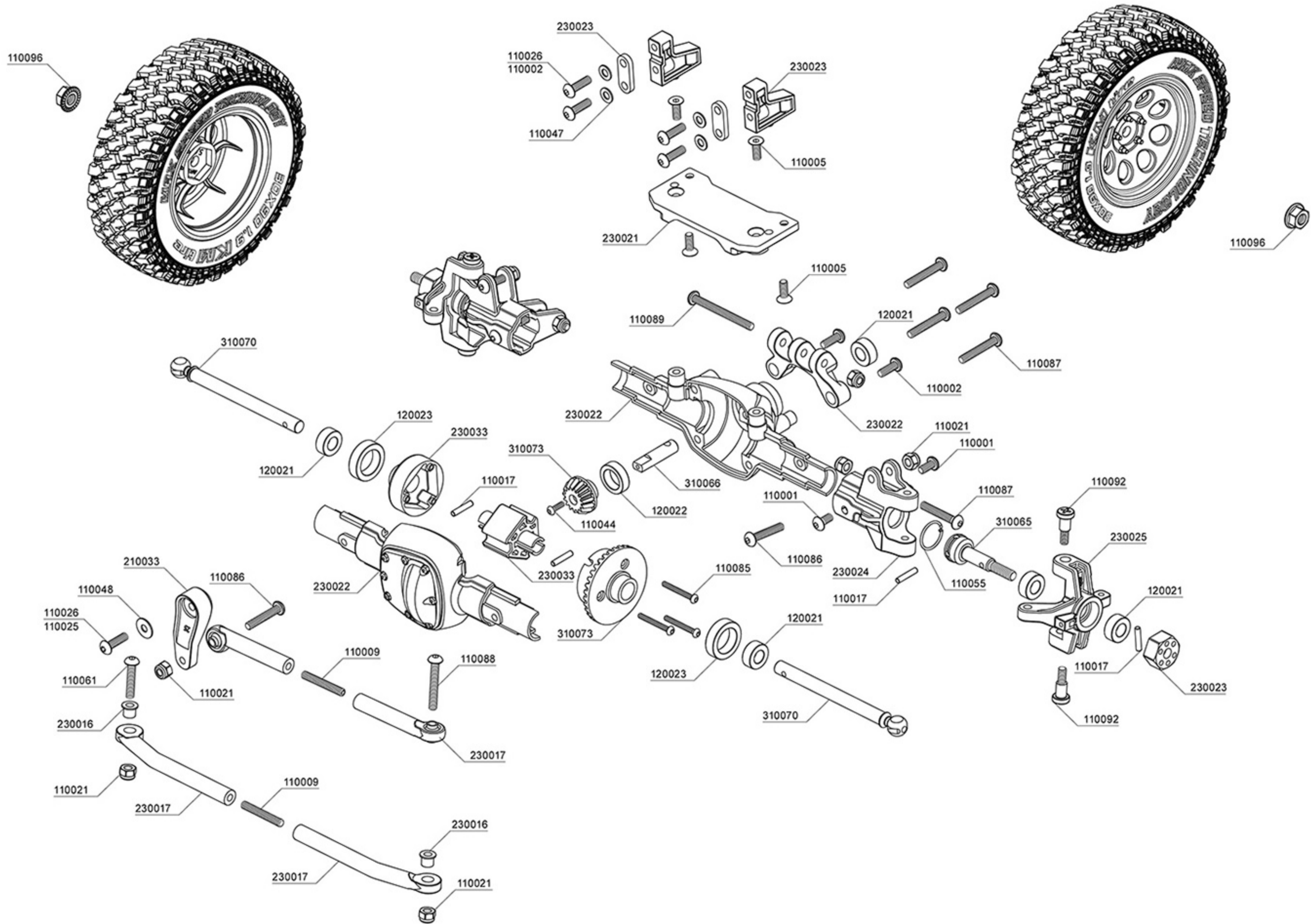
For 267mm wheelbase

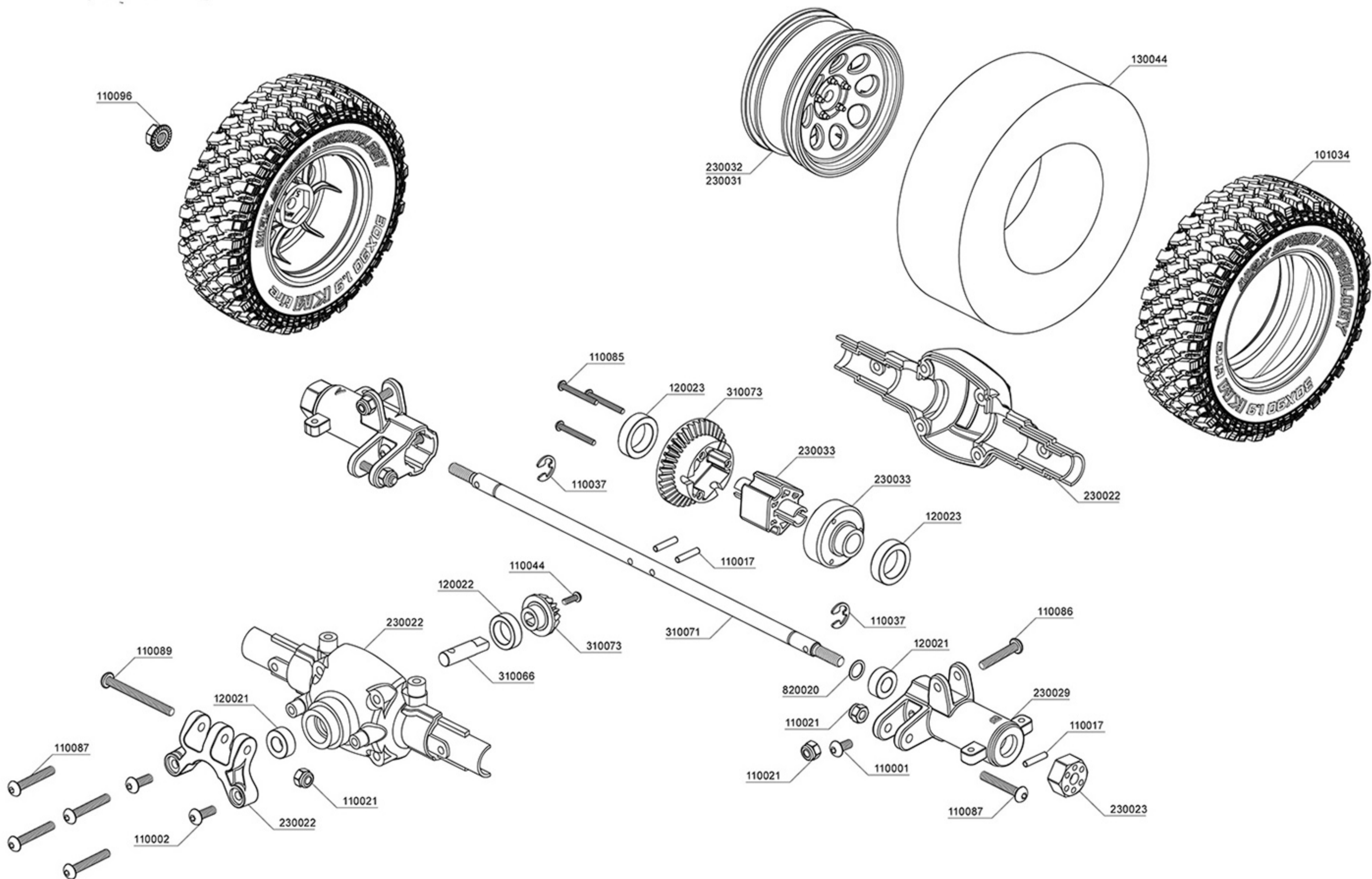
Rear upper link



Rear lower link







PARTS CODE

101034	KM Crawler tire 30×90-1.9" (medium-40°) (2)	110049	Round head screw M3×5 (10)	120021	Bearing 5×10×4 (4)	230019	CMX Cross member set	310070	CVA Axle (2)
110001	Round head screw M3×6 (10)	110055	G-clip 10.0 (10)	120022	Bearing 8×12×3.5 (4)	230020	CMX Gear box chassis set	310071	Solid axle
110002	Round head screw M3×8 (10)	110061	Round head screw M3×14 (6)	120023	Bearing 10×15×4 (4)	230021	CMX Receiver case set	310072	Piston rod (4)
110005	Countersunk screw M3×8 (10)	110064	Round head screw M2.5×10 (6)	130001	Damper O-ring P3 (red) (10)	230022	CMX Axle cover	310073	Bevel gear set 36-15
110009	Set screw M3×20 (6)	110076	Round head screw M3×25 (6)	130008	Black grease	230023	CMX Damper stay set	310075	CMX Chassis rail (2)
110010	Round head screw M2.5×14 (6)	110081	Countersunk screw M3×14 (6)	130017	Inner sponge (8)	230024	CMX C hub carrier set	310079	Battery tray
110011	Cap screw M3×6 (6)	110084	Round head screw M2×10 (6)	130032	Damper cap O-ring (10)	230025	CMX Knuckle set	310080	Slipper plate (2)
110013	E-clip 2.0 (10)	110085	Round head screw M2×16 (6)	130034	Sponge 20×80×1 (4)	230026	CMX Car body post set	310081	Gear B 14T (4)
110016	R-clip 6.0 (10)	110086	Round head screw M3×16 (6)	130035	L Wrench set (1.5 & 2.0 & 2.5)	230029	CMX Axle lockout set	310082	Gear 42T
110017	Shaft 2×9.8 (10)	110087	Round head screw M3×18 (6)	130044	Inner sponge 30×92×48 (2)	230030	CMX Bumper & battery mount	310083	Gear 32T
110018	Shaft 2×13.8 (5)	110088	Round head screw M3×20 (6)	130045	Slipper pad (2)	230031	58H 1.9" crawler wheel (+5) (4)	310084	Gear B 24T
110019	Shaft 2×11.8 (5)	110089	Round head screw M3×30 (6)	130046	Velcro strap 16×210mm (2)	230032	60D 1.9" crawler wheel (+5) (4)	310085	Gear A 24T
110021	Lock nut M3 (5)	110090	Shaft screw M4×4×12 (6)	210033	Servo horn set (long) (23T/25T)	230033	CMX Heavy duty locker set	310086	Gear A 14T
110023	Set screw M3×16 (6)	110091	Cap screw M3×40 (6)	210057	Damper cap set	230039	CMX Wheelbase 267mm accessories	310087	Slipper shaft set
110025	Tapping round head screw 2.6×10 (6)	110092	King pin screw (4)	210529	Coil spring 45mm (hard) (silver) (4)	230044	M06 Spur gear 62T	310088	CFX Motor mount
110026	Round head screw M3×10 (10)	110093	Nut M3 (5)	210530	Coil spring 45mm (medium) (gold) (4)	230045	CFX Deceleration gear box set	310089	Bulkhead plate
110035	Set screw M3×3 (6)	110096	Lock nut M4 (5)	210531	Coil spring 45mm (soft) (red) (4)	230046	CFX Gear box support	310090	Gear shaft A
110037	E-clip 4.0 (10)	120001	Ball bearing 10×15 (4)	220012	Mineral oil 10#	230047	CFX Transfer case set	310091	Gear shaft B
110044	Round head screw M2×6 (6)	120002	Ball bearing 5×10 (4)	230015	Damper parts (2)	230048	CFX Driveshaft set	310092	Gear shaft C
110047	Spacer 3×6×0.5 (8)	120003	Ball bearing 5×8 (4)	230016	CMX Ball connector set	310065	Wheel axle (2)	700003S	5.5 & 7.0 Alum. wrench (silver)
110048	Spacer 3×8×0.5 (8)	120017	Bearing 5×8 (4)	230017	CMX Link set	310066	Bevel gear shaft	820020	Spacer 5×7×0.3 (8)
		120018	Ball Bearing 4×10×4 (2)	230018	CMX Driveshaft				

部品編號

101034	KM 攀岩胎 30×90-1.9" (中-40°) (2)	110055	G扣 10.0 (10)	120022	軸承 8×12×3.5 (4)	230020	CMX 減速箱底盤組	310072	避震軸心 (4)
110001	六角半圓頭螺絲 M3×6 (10)	110061	六角半圓頭螺絲 M3×14 (6)	120023	軸承 10×15×4 (4)	230021	CMX 接收機盒組	310073	傘齒組 36-15
110002	六角半圓頭螺絲 M3×8 (10)	110064	六角圓頭螺絲 M2.5×10 (6)	130001	阻尼器O環 P3 (紅) (10)	230022	CMX 車軸殼	310075	CMX 大樑 (2)
110005	六角沉頭螺絲 M3×8 (10)	110076	六角半圓頭螺絲 M3×25 (6)	130008	黑色油膏	230023	CMX 避震架組	310079	電裝托盤
110009	六角止付螺絲 M3×20 (6)	110081	六角沉頭螺絲 M3×14 (6)	130017	吸震泡棉 (8)	230024	CMX 轉向C座組	310080	扭限壓盤
110010	六角半圓頭螺絲 M2.5×14 (6)	110084	六角半圓頭螺絲 M2×10 (6)	130032	避震上蓋O環 (10)	230025	CMX 轉向座組	310081	齒輪 B 14T (4)
110011	六角有頭螺絲 M3×6 (半牙) (6)	110085	六角半圓頭螺絲 M2×16 (6)	130034	吸震泡棉 20×80×1 (4)	230026	CMX 車殼支柱組	310082	齒輪 42T
110013	E扣 2.0 (10)	110086	六角半圓頭螺絲 M3×16 (6)	130035	L 扳手組 (1.5 & 2.0 & 2.5)	230029	CMX 車軸固定套組	310083	齒輪 32T
110016	R銷 6.0 (10)	110087	六角半圓頭螺絲 M3×18 (6)	130044	內襯 30×92×48 (2)	230030	CMX 前保桿&電池座	310084	齒輪 B 24T
110017	插銷 2×9.8 (10)	110088	六角半圓頭螺絲 M3×20 (6)	130045	扭限摩擦片 (2)	230031	58H 1.9" 攀岩樞 (+5) (4)	310085	齒輪 A 24T
110018	插銷 2×13.8 (5)	110089	六角半圓頭螺絲 M3×30 (6)	130046	電池束帶 16×210mm (2)	230032	60D 1.9" 攀岩樞 (+5) (4)	310086	齒輪 A 14T
110019	插銷 2×11.8 (5)	110090	銷釘螺絲 M4×4×12 (6)	210033	伺服機舵片組-長 (23T/25T)	230033	CMX 直軸連接座組	310087	扭限軸心組
110021	防鬆螺帽 M3 (5)	110091	六角有頭螺絲 M3×40 (半牙) (6)	210057	避震器上下蓋組	230039	CMX 軸距267mm配件	310088	CFX 馬達座
110023	六角止付螺絲 M3×16 (6)	110092	大王螺絲 (4)	210529	避震彈簧 45mm (硬)(銀)(4)	230044	M06 大齒盤 62T	310089	減速箱殼板
110025	自攻六角半圓頭螺絲 2.6×10 (6)	110093	螺帽 M3 (5)	210530	避震彈簧 45mm (中)(金)(4)	230045	CFX 減速箱組	310090	齒輪軸心 A
110026	六角半圓頭螺絲 M3×10 (10)	110096	防鬆螺帽 M4 (5)	210531	避震彈簧 45mm (軟)(紅)(4)	230046	CFX 減速箱支架組	310091	齒輪軸心 B
110035	六角止付螺絲 M3×3 (6)	120001	培林 10×15 (4)	220012	礦物油 10#	230047	CFX 分動箱組	310092	齒輪軸心 C
110037	E扣 4.0 (10)	120002	培林 5×10 (4)	230015	避震膠件組 (2)	230048	CFX 驅動軸組	700003S	5.5 & 7.0 鋁合金套筒工具 (銀)
110044	六角半圓頭螺絲 M2×6 (6)	120003	培林 5×8 (4)	230016	CMX 球頭組	310065	萬向接杯 (2)	820020	墊片 5×7×0.3 (8)
110047	墊片 3×6×0.5 (8)	120017	軸承 5×8 (4)	230017	CMX 拉桿組	310066	傘齒軸		
110048	墊片 3×8×0.5 (8)	120018	培林 4×10×4 (2)	230018	CMX 傳動軸	310070	CVA 輪軸 (2)		
110049	六角半圓頭螺絲 M3×5 (10)	120021	軸承 5×10×4 (4)	230019	CMX 橫樑組	310071	直軸輪軸		

MST

MAX SPEED TECHNOLOGY



WWW.RC-MST.COM
[facebook.com/MST.tw]



Max Speed Technology

