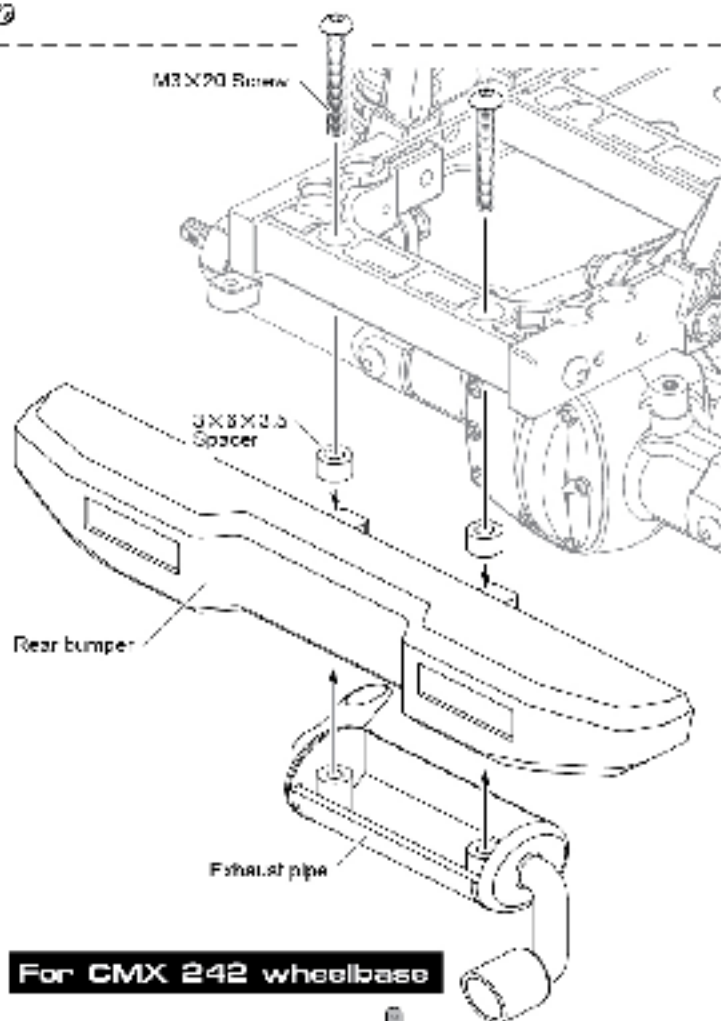
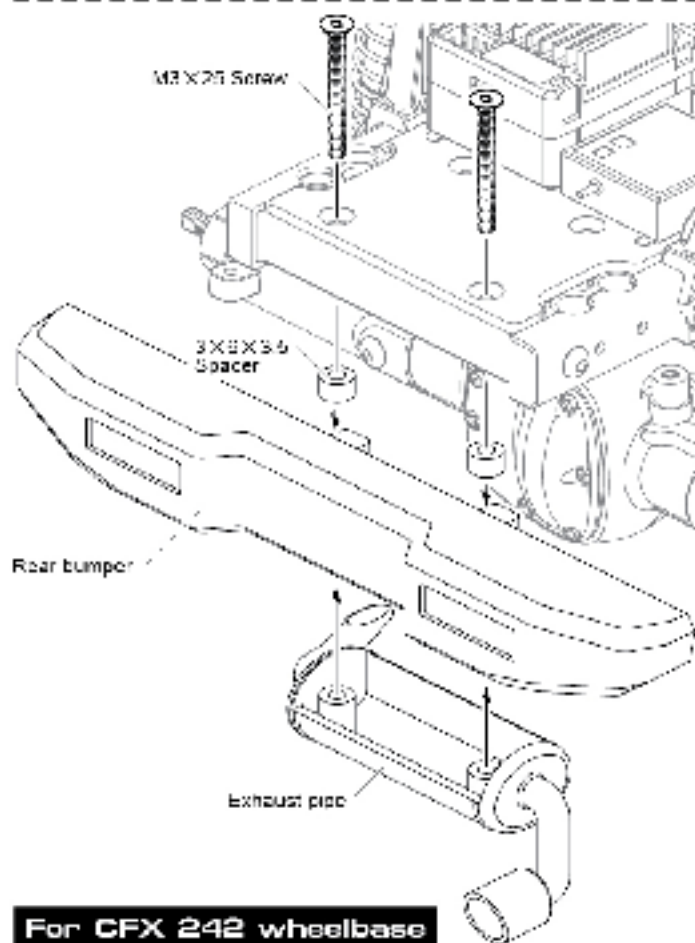
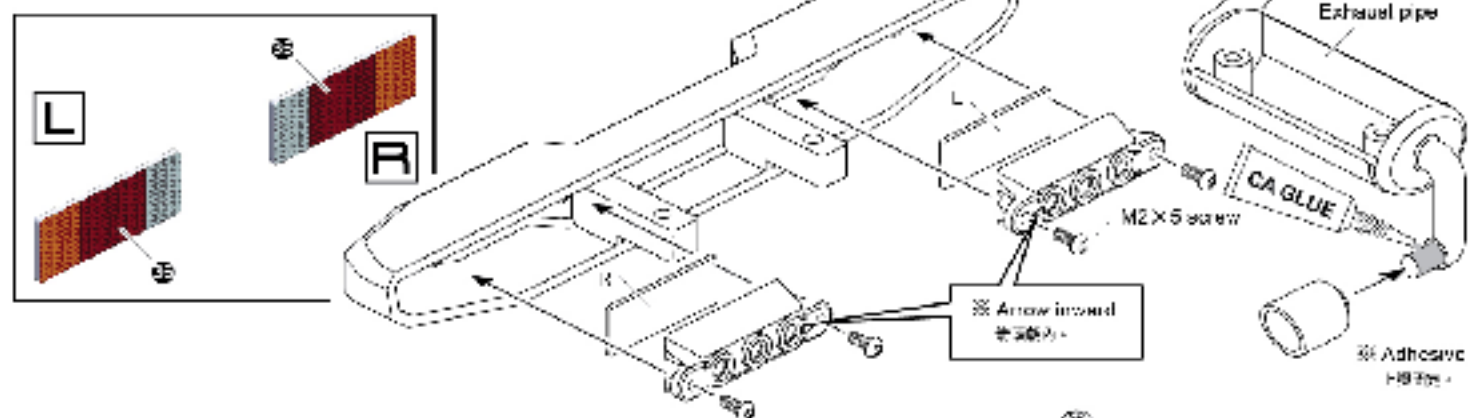


## 6 CHASSIS ASSEMBLY



## 7 ATTACHING BODY

