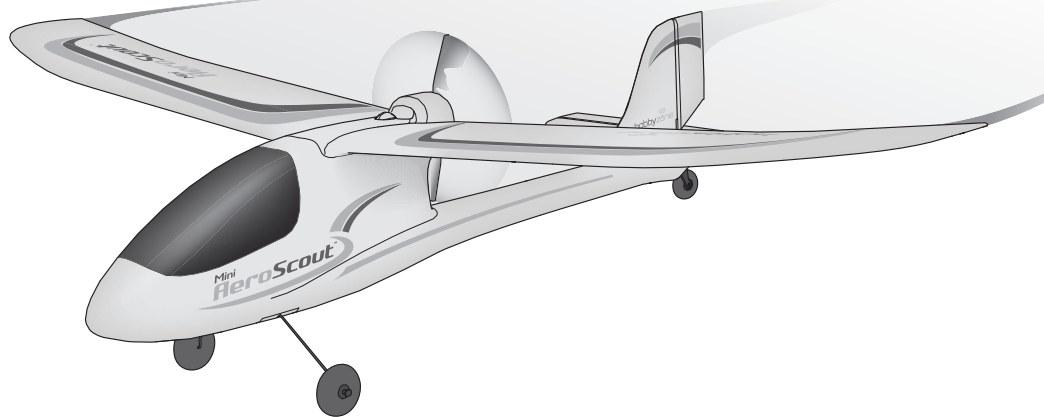


Mini
AeroScout™
770mm Ready to Fly



Instruction Manual
Bedienungsanleitung
Manuel d'utilisation
Manuale di Istruzioni



NOTICE

All instructions, warranties and other collateral documents are subject to change at the sole discretion of Horizon Hobby, LLC. For up-to-date product literature, visit www.horizonhobby.com or www.towerhobbies.com and click on the support or resources tab for this product.

Meaning of Special Language:

The following terms are used throughout the product literature to indicate various levels of potential harm when operating this product:

WARNING: Procedures, which if not properly followed, create the probability of property damage, collateral damage, and serious injury OR create a high probability of superficial injury.

CAUTION: Procedures, which if not properly followed, create the probability of physical property damage AND a possibility of serious injury.

NOTICE: Procedures, which if not properly followed, create a possibility of physical property damage AND little or no possibility of injury.



WARNING: Read the ENTIRE instruction manual to become familiar with the features of the product before operating.

Failure to operate the product correctly can result in damage to the product, personal property and cause serious injury.

This is a sophisticated hobby product. It must be operated with caution and common sense and requires some basic mechanical ability. Failure to operate this Product in a safe and responsible manner could result in injury or damage to the product or other property. This product is not intended for use by children without direct adult supervision. Do not use with incompatible components or alter this product in any way outside of the instructions provided by Horizon Hobby, LLC. This manual contains instructions for safety, operation and maintenance. It is essential to read and follow all the instructions and warnings in the manual, prior to assembly, setup or use, in order to operate correctly and avoid damage or serious injury.

14+ AGE RECOMMENDATION: Not for children under 14 years. This is not a toy.

Safety Precautions and Warnings

As the user of this product, you are solely responsible for operating in a manner that does not endanger yourself and others or result in damage to the product or the property of others.

- Always keep a safe distance in all directions around your model to avoid collisions or injury. This model is controlled by a radio signal subject to interference from many sources outside your control. Interference can cause momentary loss of control.
- Always operate your model in open spaces away from full-size vehicles, traffic and people.
- Always carefully follow the directions and warnings for this and any optional support equipment (chargers, rechargeable battery packs, etc.).
- Always keep all chemicals, small parts and anything electrical out of the reach of children.
- Always avoid water exposure to all equipment not specifically designed and protected for this purpose. Moisture causes damage to electronics.
- Never place any portion of the model in your mouth as it could cause serious injury or even death.
- Never operate your model with low transmitter batteries.
- Always keep aircraft in sight and under control.
- Always use fully charged batteries.
- Always keep transmitter powered on while aircraft is powered.
- Always remove batteries before disassembly.
- Always keep moving parts clean.
- Always keep parts dry.
- Always let parts cool after use before touching.
- Always remove batteries after use.
- Always ensure failsafe is properly set before flying.
- Never operate aircraft with damaged wiring.
- Never touch moving parts.

Box Contents

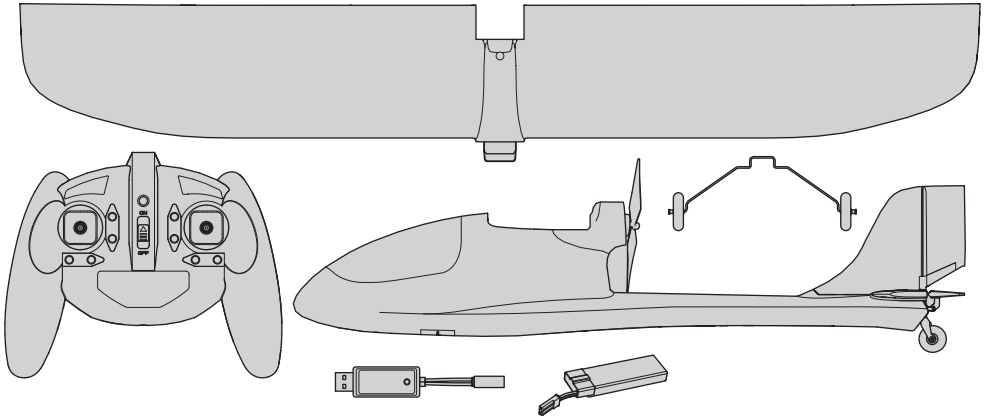
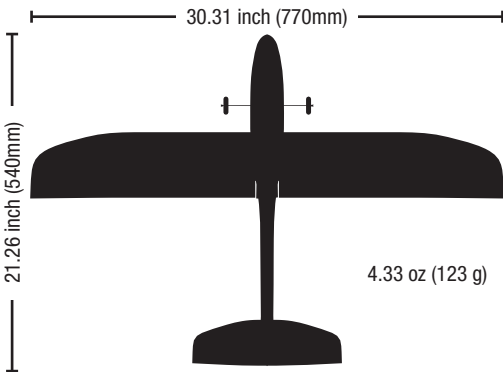


Table of Contents

Specifications	3	Transmitter Dual Rates	9
Preflight Checklist.....	4	Transmitter Trims.....	9
Charging Warnings.....	4	Flying	9
Charge the Flight Battery	4	Post Flight Checklist	10
Assemble the Aircraft.....	5	Troubleshooting	10
Install the Transmitter Batteries.....	6	Parts List	11
Transmitter Layout.....	6	Limited Warranty	11
Install the Flight Battery.....	7	Warranty and Service Contact Information	12
Binding	7	FCC Information.....	13
Arm the Aircraft	8	IC Information.....	13
Control Horn Locations and Surface Centering	8	Compliance Information for the European Union.....	13
Control Direction Test.....	8		

Specifications



Motor: Brushed motor	Installed
Flight Controller*: 3-in-1 flight controller (HBZ5708)	Installed
Battery: 800mAh 1S 3.7V 30C LiPo (SPMX8001S30)	Included
Battery Charger: 1S USB Li-Po Charger, 700mAh, JST (EFLC1014)	Included
Transmitter*: 2.4GHz (HBZRMLP4)	Included

* The included 3-in-1 flight controller and transmitter are not compatible with DSM, DSM2 or DSMX protocols.

Preflight Checklist

Find a safe and open area.
Charge the flight battery.
Assemble the aircraft.
Install the transmitter batteries.
Install the flight battery.

Perform control direction test.
Plan flight for flying field conditions.
Set a flight timer for 10 minutes.
Have fun!

Charging Warnings

The included USB charger has been designed to safely charge the included Li-Po battery.

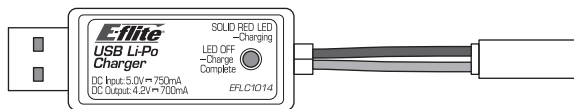


CAUTION: All instructions and warnings must be followed exactly. Mishandling of Li-Po batteries can result in a fire, personal injury and/or property damage.

- **NEVER LEAVE CHARGING BATTERIES UNATTENDED.**
- **NEVER CHARGE BATTERIES OVERNIGHT.**
- By handling, charging or using the included Li-Po battery, you assume all risks associated with lithium batteries.
- If at any time the battery begins to balloon or swell, discontinue use immediately. If charging or discharging, discontinue and disconnect. Continuing to use, charge or discharge a battery that is ballooning or swelling can result in fire.
- Always store the battery at room temperature in a dry area for best results.
- Always transport or temporarily store the battery in a temperature range of 40–120° F. Do not store the battery or model in a car or direct sunlight. If stored in a hot car, the battery can be damaged or even catch fire.

- Always charge batteries away from flammable materials.
- Always inspect the battery before charging.
- Always disconnect the battery after charging, and let the charger cool between charges.
- Always constantly monitor the temperature of the battery pack while charging.
- **ONLY USE A CHARGER SPECIFICALLY DESIGNED TO CHARGE LI-PO BATTERIES.** Failure to charge the battery with a compatible charger may cause a fire resulting in personal injury and/or property damage.
- Never discharge Li-Po cells to below 3V under load.
- Never cover warning labels with hook and loop strips.
- Never leave charging batteries unattended.
- Never charge batteries outside recommended levels.
- Never charge damaged batteries.
- Never attempt to dismantle or alter the charger.
- Never allow minors to charge battery packs.
- Never charge batteries in extremely hot or cold places (recommended between 40–120° F or 5–49° C) or place in direct sunlight.

Charge the Flight Battery



NOTICE: Charge only batteries that are cool to the touch and are not damaged. Look at the battery to make sure it is not damaged e.g., swollen, bent, broken or punctured.

1. Insert the charger into a USB port.
2. Connect the battery to the charger lead, noting the correct polarity.
3. Always disconnect the flight battery from the charger immediately upon completion of charging.



CAUTION: Only use chargers specifically designed to charge the included Li-Po battery. Failure to do so could result in fire, causing injury or property damage.



CAUTION: Never exceed the recommended charge rate.

LED Indications

When you make the connection successfully, the LED on the charger turns solid red, indicating charging has begun. Charging a fully discharged (not over-discharged) 800mAh battery takes approximately 75-90 minutes. The light goes off when the charge is complete.

CHARGING (Solid Red)

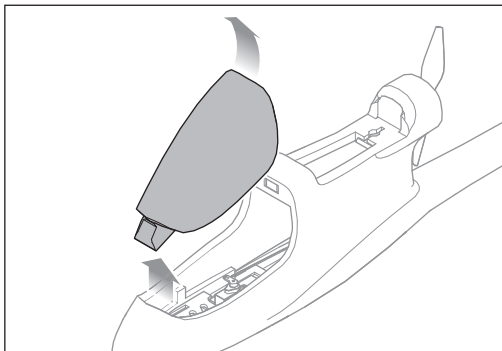
MAX CHARGE (OFF)



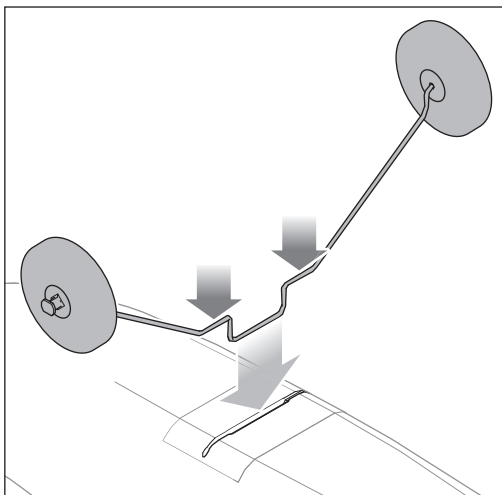
CAUTION: Once charging is complete, immediately remove the battery. Never leave a battery connected to the charger.

Assemble the Aircraft

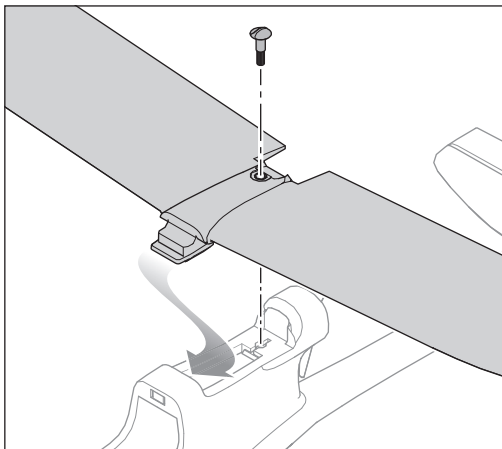
1. Remove the battery hatch cover from the fuselage by lifting from the rear of the hatch and rotating forward. The hatch is held in place by a foam tab at the front and a magnet at the back.



2. Carefully install the landing gear into the mount in the bottom of the fuselage. Press on the wire as shown in the illustration, taking care not to crush the fuselage foam. The landing gear wire is fully seated when it snaps into the mount.

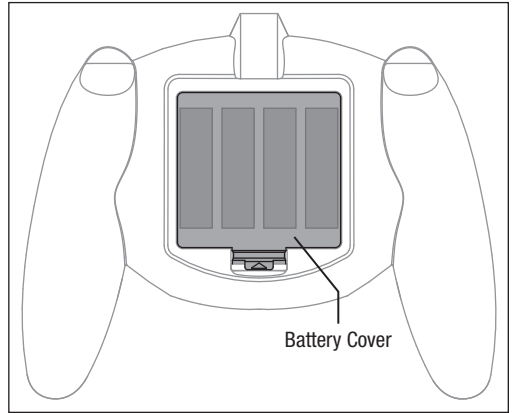


3. Insert the front of the wing into the center of the fuselage.
4. Install the included thumb screw to secure the wing. Do not over tighten the screw.

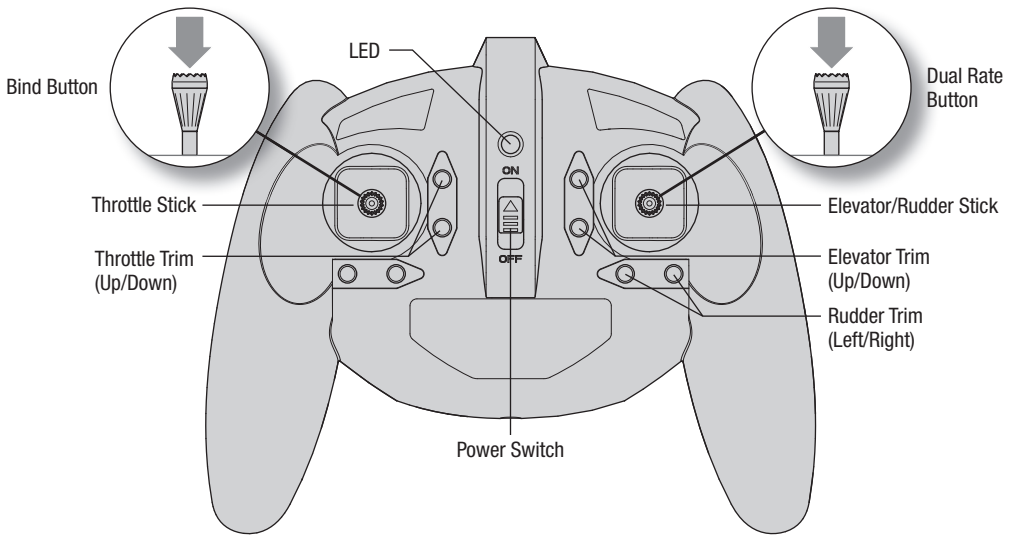


Install the Transmitter Batteries

1. Remove the battery cover from the back of the transmitter.
2. Install four included AA batteries (noting proper polarity).
3. Reinstall the battery cover.



Transmitter Layout



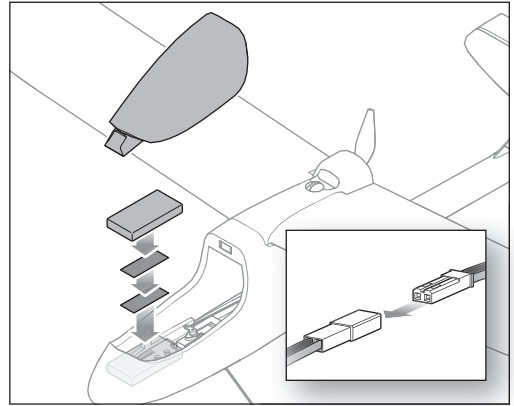
Install the Flight Battery

1. Apply the soft, loop side of the hook and loop tape to the battery tray inside the fuselage.
2. Apply the hook side to the battery.

TIP: Do not cover the battery label information with the hook material.

3. Install the battery in the fuselage. Move the battery forward or backward in the fuselage to adjust the aircraft center of gravity. The center of gravity should be 39-44mm back from the leading edge of the wing, as shown in the illustration.

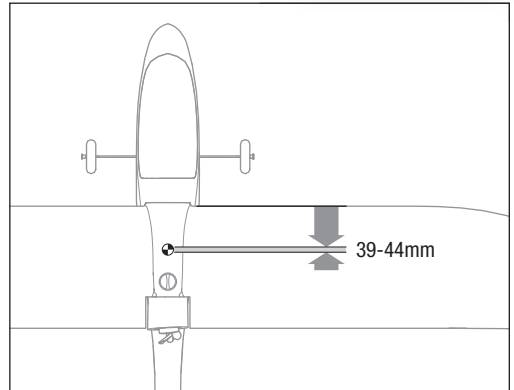
TIP: Install the 1S 800mAh battery towards the front of the battery compartment to achieve the correct CG.



Arm the Aircraft

CAUTION: Always keep hands away from the propeller. When armed, the motor will turn the propeller in response to any throttle movement.

1. Ensure the transmitter throttle stick is in the lowest position. The motor will not arm if the throttle is not set to the lowest position when powering on the aircraft.
2. Power on the transmitter.
3. Connect a fully charged flight battery.
4. The motor will be armed when the battery is connected.

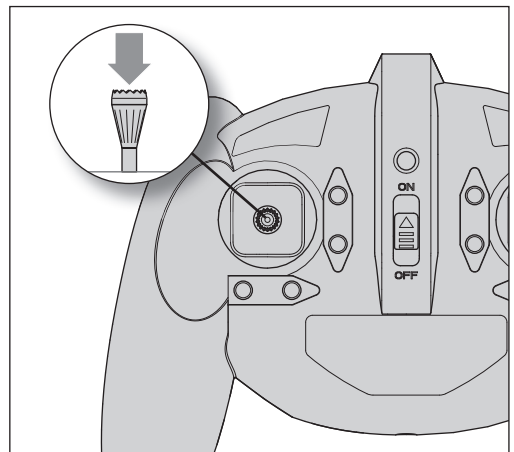


Binding

Binding is the process of programming the receiver to recognize the GUID (Globally Unique Identifier) code of a single specific transmitter. The transmitter and receiver are bound at the factory. If you need to rebind, follow the instructions below.

1. Ensure the transmitter throttle stick is in the lowest position.
2. Install and connect a fully charged flight battery to the aircraft.
3. After approximately 5 seconds, the LED on the aircraft flight control board will begin to flash rapidly.
4. Push and hold down the left transmitter stick.
5. Power on the transmitter. Release the left stick when the transmitter beeps.
6. The LED on the aircraft flight control board will glow solid when binding is complete.

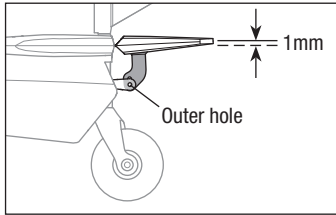
CAUTION: Always keep hands away from the propeller. When armed, the motor will turn the propeller in response to any throttle movement.



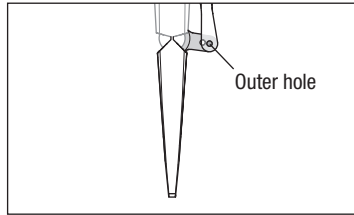
Control Horn Locations and Surface Centering

Both the elevator and rudder clevises should be in the outer holes of the control horns, as shown in the illustrations. Additionally, the elevator should be raised 1mm from center when the transmitter trim is centered.

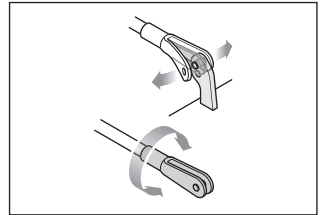
The rudder should be centered with centered trim. If either surface is not positioned correctly, gently open the clevis and pull the pin from the control horn. Turn the clevis in or out to adjust the control surface position. Reconnect the clevis to the control horn, ensuring the pin is in the proper hole.



Elevator, viewed from the left



Rudder, viewed from the top
(some detail removed for clarity)



Clevis removal and adjustment

Control Direction Test

Test the controls prior to the first flight to ensure none of the servos, linkages or parts were damaged during shipping and handling and the controls function in the correct directions.

Move the rudder stick to the right. The rudder should move to the right. This will cause the aircraft to yaw and bank to the right in flight.

Move the rudder stick to the left. The rudder should move to the left. This will cause the aircraft to yaw and bank to the left in flight.

Pull the elevator stick backward. The elevator should move up. This will cause the nose of the aircraft to pitch up in flight.

Push the elevator stick forward. The elevator should move down. This will cause the nose of the aircraft to pitch down in flight.

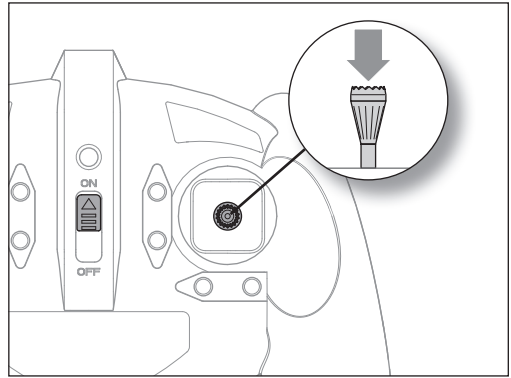
	Stick Movement	Control Surface Reaction

Transmitter Dual Rates

The included transmitter features dual rates to tailor the sensitivity of the controls to the pilot. The low rate setting decreases the control throws, thereby decreasing the sensitivity. The high rate setting increases the control throws to maximum, thereby increasing the sensitivity of the aircraft. High rate is the default setting.

To change from high rate to low rate:

1. With the transmitter powered on, press and release the right transmitter stick. The transmitter beeps to indicate which rate is selected.
A long tone indicates high rate.
A short tone indicates low rate.
2. Press and release again to change back.



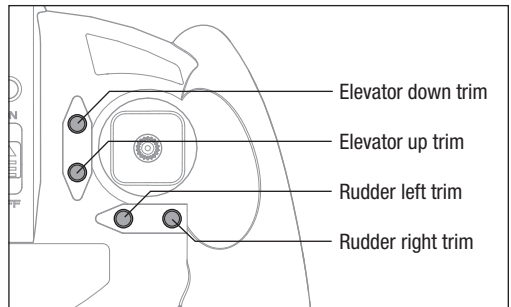
Transmitter Trims

The included transmitter features digital trim buttons next to the control sticks to make fine adjustments during flight. The transmitter beeps when a trim button is pressed. The tone changes slightly when the trim value is centered. To quickly re-center the trims, press both the left and right sticks at the same time.

If the aircraft drifts right or left in flight, use the opposite direction rudder trim button correct the drift. For example, if the aircraft drifts right in flight, press and release the left rudder trim button until the aircraft no longer drifts.

If the aircraft climbs or dives during flight, press and release the down or up trim buttons until the aircraft flies level.

If there is not enough digital trim available, mechanically adjust the loops in the control linkages to center the surfaces.



Flying

Consult local laws and ordinances before choosing a location to fly your aircraft.

We recommend flying your aircraft outside in no greater than light winds or inside in a large gymnasium. Always avoid flying near houses, trees, wires and buildings.

Avoid flying in areas where there are many people, such as busy parks, schoolyards or soccer fields.

Set a timer for 10 minutes.

TIP: The HobbyZone Mini AeroScout can normally fly 12-15 minutes on a fully charged flight battery. This time will vary pending on your flying style, flight conditions and the condition of your battery.

Hand Launching

To hand launch the aircraft, hold the fuselage under the wings. Advance to full throttle and give the aircraft a firm throw, slightly up (5–10 degrees above the horizon), and directly into the wind. After the model gains altitude and speed, decrease the throttle as you desire.

Takeoff

Taxi the aircraft in position for takeoff (facing into the wind if flying outdoors). Gradually increase the throttle to full power. Hold a small amount of up elevator and steer with the rudder. When the aircraft lifts off, climb gently and adjust the trim for level flight. Once the trim is adjusted, begin exploring the flight envelope of the aircraft. When your timer expires, prepare for landing.

Landing

Always land into the wind. Fly the landing pattern with a slightly nose high attitude. Use throttle management to control the descent rate of the aircraft.

During flare, keep the wings level and the aircraft pointed into the wind. Slowly lower the throttle while easing back on the elevator to bring the aircraft gently down on the main wheels.

NOTICE: Always fully lower the throttle at touch down when landing the aircraft. Failure to lower the throttle stick and trim to the lowest possible positions during a crash could result in damage to the ESC in the receiver unit.

Repairs

Crash damage is not covered under warranty.

Repair this aircraft using foam-compatible CA glue or clear tape. Only use foam-compatible CA glue as other types of glue can damage the foam. When parts are not repairable, see the Replacement Parts List for ordering by item number.

NOTICE: Use of foam-compatible CA accelerant on your aircraft can damage paint. DO NOT handle the aircraft until accelerant fully dries.

Post Flight Checklist

Disconnect the flight battery from the ESC.	Repair or replace all damaged parts.
Power OFF the transmitter.	Store the flight battery apart from the aircraft and monitor the battery charge.
Remove the flight battery from the aircraft.	Make note of the flight conditions and flight plan results, planning for future flights.
Recharge the flight battery.	

Maintenance



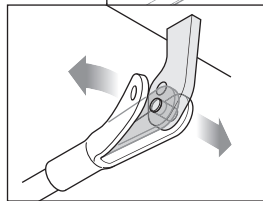
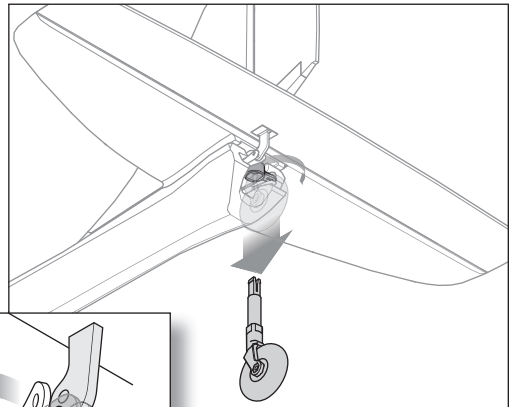
WARNING: Do not perform this or any other equipment maintenance with the propeller installed on the aircraft. Serious injury or property damage could result from the motor starting inadvertently.

Horizontal Tail Removal/Replacement

The horizontal tail is easily removed for storage or replacement.

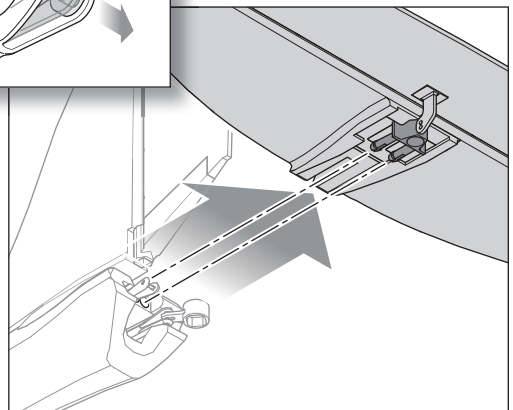
To remove the horizontal tail:

1. Gently pull straight down on the tail wheel assembly as shown. The rudder control horn should slide from the tail wheel assembly.
2. Rotate the rudder control horn to the side.
3. Open the elevator clevis and remove it from the elevator control horn.
4. Carefully pull the horizontal tail assembly straight back and out of the fuselage. The tail is held in place by two snap-fit alignment pins.



To install the tail:

1. Push the horizontal tail into the fuselage. The alignment pins and elevator control horn should face down. Ensure the two pins on the bottom of the horizontal tail align with the holes in the fuselage. The tail is fully inserted when the hole in the bottom of the rudder lines up with the hole in the horizontal tail.
2. Attach the elevator clevis to the outer hole on the elevator control horn.
3. Align the hole in the rudder control horn with the hole in the horizontal tail.
4. Insert the tail wheel assembly through the rudder control horn, the horizontal tail and into the rudder. The tail wheel is fully inserted when the square section of the shaft is in the rudder control horn and the shaft "clicks" into the rudder.



Propeller Removal/Replacement

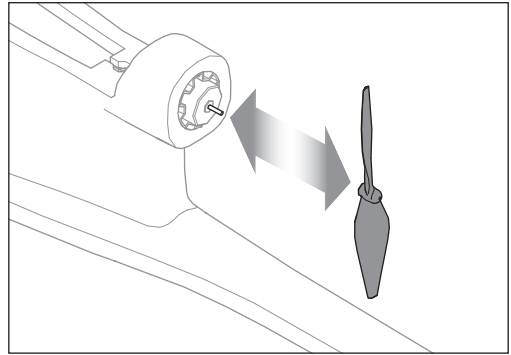


WARNING: Always disconnect the flight battery from the model before removing the propeller.

The propeller is press fit onto the motor shaft.

To remove the propeller:

1. Grasp the propeller at the hub.
2. Gently pull the propeller from the motor shaft.
3. Push the new propeller onto the motor shaft, taking care not to push too far. The propeller hub should not rub on any part of the motor and should rotate freely.



Troubleshooting

Problem	Possible Cause	Solution
Aircraft will not respond to throttle but responds to other controls	Throttle stick and/or throttle trim is too high	Reset controls with throttle stick and throttle trim at lowest setting
	Motor is disconnected from receiver	Open fuselage and ensure the plug for the motor is properly installed
Extra propeller noise or extra vibration	Damaged propeller, prop shaft or motor	Replace damaged parts
Reduced flight time or aircraft underpowered	Flight battery charge is low	Completely recharge flight battery
	Flight battery is damaged	Replace flight battery and follow flight battery instructions
	Flight conditions may be too cold	Make sure battery is warm before use
	Battery capacity is too low for flight conditions	Replace battery or use a larger capacity battery
LED on receiver flashes rapidly and aircraft will not bind to transmitter (during binding)	Transmitter is too near aircraft during binding process	Power off transmitter, move transmitter a larger distance from aircraft, disconnect and reconnect flight battery to aircraft and follow binding instructions
	Bind button was not held while transmitter was powered on	Power off transmitter and repeat bind process
	Aircraft or transmitter is too close to large metal object, wireless source or another transmitter	Move aircraft and transmitter to another location and attempt binding again
LED on receiver flashes rapidly and aircraft will not respond to transmitter (after binding)	Less than a 5-second wait between first powering on transmitter and connecting flight battery to aircraft	Leaving transmitter on, disconnect and reconnect flight battery to aircraft
	Flight battery/transmitter battery charge is too low	Replace/recharge batteries
	Transmitter may have been bound to a different model	Select the right transmitter or bind to the new one
	Aircraft or transmitter is too close to large metal object, wireless source or another transmitter	Move aircraft and transmitter to another location and attempt connecting again

Problem	Possible Cause	Solution
Control surface does not move	Control surface, control horn, linkage or servo damage	Replace or repair damaged parts and adjust controls
	Wire damaged or connections loose	Do a check of wires and connections; connect or replace as needed
	Flight battery charge is low	Fully recharge flight battery
	Control linkage does not move freely	Make sure control linkage moves freely
Motor loses power	Damage to motor or power components	Check the motor and power components for damage (replace as needed)
Motor power pulses then loss of power	Battery power is down to the point of receiver/ ESC Low Voltage Cutoff (LVC)	Recharge flight battery or replace battery that is no longer performing

Parts List

Part Number	Description
EFLC1014	1S USB Li-Po Charger, 700mA, JST
HBZ5701	Fuselage
HBZ5702	Hatch
HBZ5703	Wing
HBZ5704	Horizontal Stab
HBZ5705	Tailwheel Assembly
HBZ5706	Landing Gear

Part Number	Description
HBZ5707	Pusher Prop
HBZ5708	Flight Controller
HBZ5709	Motor
HBZ5710	Pushrods
HBZRMLP4	MLP4 2.4GHZ Transmitter
SPMX8001S30	800mAh 1s 3.7v 30C LiPo; JST

Limited Warranty

What this Warranty Covers

Horizon Hobby, LLC, (Horizon) warrants to the original purchaser that the product purchased (the "Product") will be free from defects in materials and workmanship at the date of purchase.

What is Not Covered

This warranty is not transferable and does not cover (i) cosmetic damage, (ii) damage due to acts of God, accident, misuse, abuse, negligence, commercial use, or due to improper use, installation, operation or maintenance, (iii) modification of or to any part of the Product, (iv) attempted service by anyone other than a Horizon Hobby authorized service center, (v) Product not purchased from an authorized Horizon dealer, (vi) Product not compliant with applicable technical regulations, or (vii) use that violates any applicable laws, rules, or regulations. OTHER THAN THE EXPRESS WARRANTY ABOVE, HORIZON MAKES NO OTHER WARRANTY OR REPRESENTATION, AND HEREBY DISCLAIMS ANY AND ALL IMPLIED WARRANTIES, INCLUDING, WITHOUT LIMITATION, THE IMPLIED WARRANTIES OF NON-INFRINGEMENT, MERCHANTABILITY AND FITNESS FOR A PARTICULAR PURPOSE. THE PURCHASER ACKNOWLEDGES THAT THEY ALONE HAVE DETERMINED THAT THE PRODUCT WILL SUITABLY MEET THE REQUIREMENTS OF THE PURCHASER'S INTENDED USE.

Purchaser's Remedy

Horizon's sole obligation and purchaser's sole and exclusive remedy shall be that Horizon will, at its option, either (i) service, or (ii) replace, any Product determined by Horizon to be defective. Horizon reserves the right to inspect any and all

Product(s) involved in a warranty claim. Service or replacement decisions are at the sole discretion of Horizon. Proof of purchase is required for all warranty claims. SERVICE OR REPLACEMENT AS PROVIDED UNDER THIS WARRANTY IS THE PURCHASER'S SOLE AND EXCLUSIVE REMEDY.

Limitation of Liability

HORIZON SHALL NOT BE LIABLE FOR SPECIAL, INDIRECT, INCIDENTAL OR CONSEQUENTIAL DAMAGES, LOSS OF PROFITS OR PRODUCTION OR COMMERCIAL LOSS IN ANY WAY, REGARDLESS OF WHETHER SUCH CLAIM IS BASED IN CONTRACT, WARRANTY, TORT, NEGLIGENCE, STRICT LIABILITY OR ANY OTHER THEORY OF LIABILITY, EVEN IF HORIZON HAS BEEN ADVISED OF THE POSSIBILITY OF SUCH DAMAGES. Further, in no event shall the liability of Horizon exceed the individual price of the Product on which liability is asserted. As Horizon has no control over use, setup, final assembly, modification or misuse, no liability shall be assumed nor accepted for any resulting damage or injury. By the act of use, setup or assembly, the user accepts all resulting liability. If you as the purchaser or user are not prepared to accept the liability associated with the use of the Product, purchaser is advised to return the Product immediately in new and unused condition to the place of purchase.

Law

These terms are governed by Illinois law (without regard to conflict of law principals). This warranty gives you specific legal rights, and you may also have other rights which vary from state to state. Horizon reserves the right to change or modify this warranty at any time without notice.

WARRANTY SERVICES

Questions, Assistance, and Services

Your local hobby store and/or place of purchase cannot provide warranty support or service. Once assembly, setup or use of the Product has been started, you must contact your local distributor or Horizon directly. This will enable Horizon to better answer your questions and service you in the event that you may need any assistance. For questions or assistance, please visit our website at www.horizonhobby.com, submit a Product Support Inquiry, or call the toll free telephone number referenced in the Warranty and Service Contact Information section to speak with a Product Support representative.

Inspection or Services

If this Product needs to be inspected or serviced and is compliant in the country you live and use the Product in, please use the Horizon Online Service Request submission process found on our website or call Horizon to obtain a Return Merchandise Authorization (RMA) number. Pack the Product securely using a shipping carton. Please note that original boxes may be included, but are not designed to withstand the rigors of shipping without additional protection. Ship via a carrier that provides tracking and insurance for lost or damaged parcels, as Horizon is not responsible for merchandise until it arrives and is accepted at our facility. An Online Service Request is available at http://www.horizonhobby.com/content/service-center_render-service-center. If you do not have internet access, please contact Horizon Product Support to obtain a RMA number along with instructions for submitting your product for service. When calling Horizon, you will be asked to provide your complete name, street address, email address and phone number where you can be reached during business hours. When sending product into Horizon, please include your RMA number, a list of the included items, and a brief summary of the problem. A copy of your original sales receipt must be included for warranty consideration. Be sure your name, address, and RMA number are clearly written on the outside of the shipping carton.

NOTICE: Do not ship LiPo batteries to Horizon. If you have any issue with a LiPo battery, please contact the appropriate Horizon Product Support office.

Warranty Requirements

For Warranty consideration, you must include your original sales receipt verifying the proof-of-purchase date. Provided warranty conditions have been met, your Product will be serviced or replaced free of charge. Service or replacement decisions are at the sole discretion of Horizon.

Non-Warranty Service

Should your service not be covered by warranty, service will be completed and payment will be required without notification or estimate of the expense unless the expense exceeds 50% of the retail purchase cost. By submitting the item for service you are agreeing to payment of the service without notification. Service estimates are available upon request. You must include this request with your item submitted for service. Non-warranty service estimates will be billed a minimum of ½ hour of labor. In addition you will be billed for return freight. Horizon accepts money orders and cashier's checks, as well as Visa, MasterCard, American Express, and Discover cards. By submitting any item to Horizon for service, you are agreeing to Horizon's Terms and Conditions found on our website http://www.horizonhobby.com/content/service-center_render-service-center.

ATTENTION: Horizon service is limited to Product compliant in the country of use and ownership. If received, a non-compliant Product will not be serviced. Further, the sender will be responsible for arranging return shipment of the un-serviced Product, through a carrier of the sender's choice and at the sender's expense. Horizon will hold non-compliant Product for a period of 60 days from notification, after which it will be discarded.

10/15

Warranty and Service Contact Information

Country of Purchase	Horizon Hobby	Contact Information	Address
United States of America	Horizon Service Center (Repairs and Repair Requests)	servicecenter.horizonhobby.com/RequestForm/	2904 Research Rd Champaign, IL 61822
	Horizon Product Support (Product Technical Assistance)	productsupport@horizonhobby.com 877-504-0233	
	Sales	websales@horizonhobby.com 800-338-4639	
European Union	Horizon Technischer Service	service@horizonhobby.eu	Hanskampring 9 D 22885 Barsbüttel, Germany
	Sales: Horizon Hobby GmbH	+49 (0) 4121 2655 100	

FCC Information


Contains FCC ID: 2AVDQ-HBZRMLP4


This equipment has been tested and found to comply with the limits for a Class B digital device, pursuant to part 15 of the FCC Rules. These limits are designed to provide reasonable protection against harmful interference in a residential installation. This equipment generates, uses and can radiate radio frequency energy and, if not installed and used in accordance with the instructions, may cause harmful interference to radio communications.

NOTICE: Modifications to this product will void the user's authority to operate this equipment.

This product contains a radio transmitter with wireless technology which has been tested and found to be compliant with the applicable regulations governing a radio transmitter in the 2.400GHz to 2.4835GHz frequency range.

Supplier's Declaration of Conformity HBZ Mini AeroScout (HBZ5700)

 This device complies with part 15 of the FCC Rules. Operation is subject to the following two conditions:
(1) This device may not cause harmful interference, and (2) this device must accept any interference received, including interference that may cause undesired operation.

 **CAUTION:** Changes or modifications not expressly approved by the party responsible for compliance could void the user's authority to operate the equipment.

NOTE: This equipment has been tested and found to comply with the limits for a Class B digital device, pursuant to part 15 of the FCC Rules. These limits are designed to provide reasonable protection against harmful interference in a residential installation. This equipment generates, uses and can radiate radio frequency energy and, if not installed and used in accordance with the instructions, may cause harmful interference to radio communications. However, there is no guarantee that interference will not occur in a particular installation. If this equipment does cause harmful interference to radio or television reception, which can be determined by turning the equipment off and on, the user is encouraged to try to correct the interference by one or more of the following measures:

- Reorient or relocate the receiving antenna.
- Increase the separation between the equipment and receiver.
- Connect the equipment into an outlet on a circuit different from that to which the receiver is connected.
- Consult the dealer or an experienced radio/TV technician for help.

Horizon Hobby, LLC

2904 Research Rd.,

Champaign, IL 61822

Email: compliance@horizonhobby.com

Web: HorizonHobby.com


IC Information

Contains IC: 25727-HBZRMLP4

CAN ICES-3 (B)/NMB-3(B) This device complies with Industry Canada license-exempt RSS standard(s). Operation is subject to the following two conditions:

(1) this device may not cause interference, and (2) this device must accept any interference, including interference that may cause undesired operation of the device.

Compliance Information for the European Union

 **EU Compliance Statement:**
HBZ Mini AeroScout (HBZ5700)
Horizon Hobby, LLC hereby declares that this product is in compliance with the essential requirements and other relevant provisions of the RED, EMC, and LVD Directives.

A copy of the EU Declaration of Conformity is available online at: <http://www.horizonhobby.com/content/support-render-compliance>.

Instructions for disposal of WEEE by users in the European Union



This product must not be disposed of with other waste. Instead, it is the user's responsibility to dispose of their waste equipment by handing it over to a designated collections point for the recycling of waste electrical and electronic equipment. The separate collection and recycling of your waste equipment at the time of disposal will help to conserve natural resources and ensure that it is recycled in a manner that protects human health and the environment. For more information about where you can drop off your waste equipment for recycling, please contact your local city office, your household waste disposal service or where you purchased the product.



E328



© 2020 Horizon Hobby, LLC

HobbyZone, the HobbyZone logo, AeroScout, E-flite, DSM, DSM2, DSMX, and the Horizon Hobby logo are trademarks or registered trademarks of Horizon Hobby, LLC. www.horizonhobby.com

Created 01/20

61813

HBZ5700