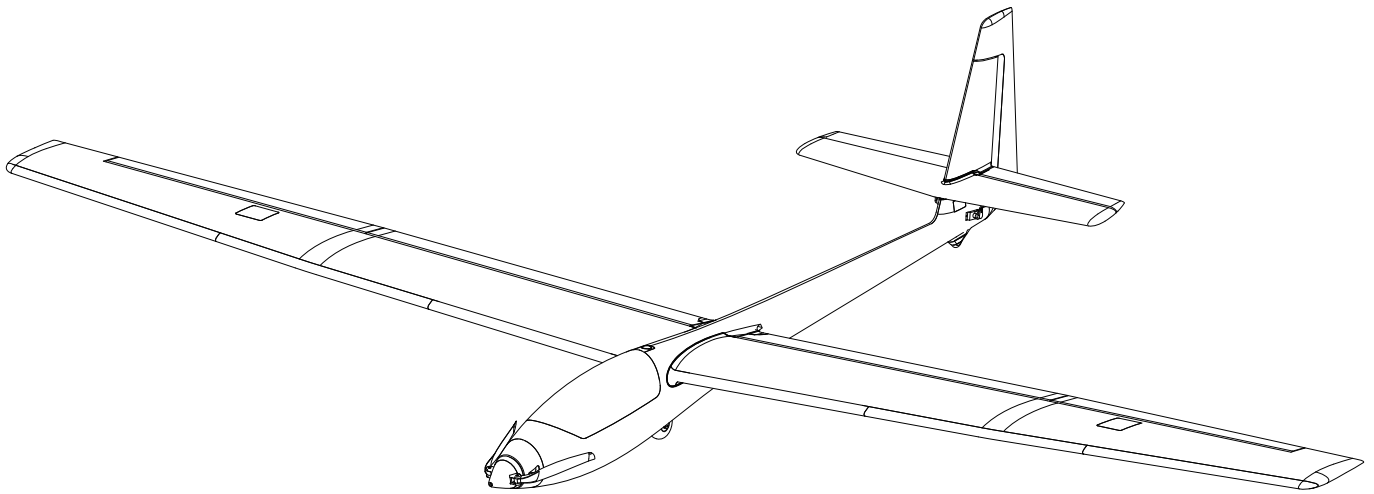




2500mm ASW-17



Instruction Manual
Bedienungsanleitung
Manuel d'utilisation
操作手册

SIMPLE
• SIMPLE ASSEMBLY

RIGID
• STRONG DURABLE EPO

STABLE
• SMOOTH FLYING PERFORMANCE

FMSMODEL.COM

WARNING



WARNING: Read the ENTIRE instruction manual to become familiar with the features of the product before operating. Failure to operate the product correctly can result in damage to the product, personal property and cause serious injury. This is a sophisticated hobby product and NOT a toy. It must be operated with caution and common sense and failure to do so could result in injury or damage to the product or other property. This product is not intended for use by children without direct adult supervision.

This manual contains instructions for safety operation and maintenance. It is essential to read and follow all the instructions and warnings in the manual prior to assembly, setup or use, in order to operate and avoid damage or serious injury.

Safety precautions and warnings

As the user of this product, you are solely responsible for operating in a manner that does not endanger yourself and others or result in damage to the product or the property of others. This model is controlled by a radio signal subject to interference from many sources outside your control. This interference can cause momentary loss of control so it is advisable to always keep a safe distance in all directions around your model, as this margin will help avoid collisions or injury.

Age Recommendation: Not for children under 14 years. This is not a toy.

- Never operate your model with low transmitter batteries.
- Always operate your model in an open area away from cars, traffic or people.
- Avoid operating your model in the street where injury or damage can occur.
- Never operate the model in populated areas for any reason.
- Carefully follow the directions and warnings for this and any optional support equipment you use (chargers, rechargeable battery packs, etc.)
- Keep all chemicals, small parts and anything electrical out of the reach of children.
- Moisture causes damage to electronics. Avoid water exposure to all equipment not specifically designed and protected for this purpose.
- Never lick or any place of any your model in your mouth as it could cause serious injury or even death.

Safety

Lithium Polymer (Li-Po) Battery Warning

CAUTION: Always follow the manufacturer's instructions for safe use and disposal of batteries. Fire, property damage, or serious injury can result from the mishandling of Li-Po batteries.

- By handling, charging or using a Li-Po Battery you assume all risks associated with lithium batteries.
 - If at any time the batteries begin to swell or balloon, discontinue use immediately!
 - Always store the batteries at room temperature in a dry area to extend the life of the battery. Always transport or temporarily store the battery in a temperature range of 40-120F. Do not store the battery or model in a car or in direct sunlight. If stored in a hot car, the battery can be damaged or even catch fire.
 - Never use a Ni-Mh Charger to charge Li-Po Batteries. Failure to charge the battery with a Li-Po compatible charger may cause fire resulting in personal injury and property damage.
 - Never discharge Li-Po Cells below 3V.
 - Never leave charging batteries unattended.
 - Never charge damaged batteries.
- Charging the Flight Battery Warning**
- Use a battery charger that is designed to safely charge the Li-Po Battery. Read the charger instructions carefully before use. When charging the battery, make certain the battery is on a heat resistant surface. It is also highly recommended to place the Li-Po Battery inside a fire resistant charging bag readily available at hobby shops or online.

Introduction

FMS is proud to announce the brand-new 2500mm ASW-17!

True to the FMS spirit, no detail was overlooked in the design of the ASW-17. The FMS engineers made 4 expensive tooling adjustments just to micro-adjust the airfoil for perfect efficiency.

The wing, vertical and horizontal stabilizers are designed with a snap-together structure. With a simple snap, the surfaces attach to the fuselage with pinpoint precision- no screws or glue necessary! Build the aircraft in as little as 3 minutes!

Like the 3000mm Fox, the ASW-17 has a pre-installed carbon fiber spar that ensures wing rigidity in high-G maneuvers.

To achieve the same dihedral as the real aircraft, the ASW-17 was designed with a specialized CNC aluminum spar joiner-allowing the aircraft to maintain its wing geometry during demanding flight routines.

Performance-wise, a high-quality Hobbywing 40A ESC paired with a Predator 3541-750KV motor provides ample power with a 4S pack to perform most aerobatic maneuvers.

If efficiency, stability and aerobatic capabilities are what you seek in a glider, look no further than the FMS 2500mm ASW-17!

Features:

- Predator 3541 motor and 40A ESC
- Snap together assembly, no glue necessary
- Two piece wing
- Functional flaps
- Fold away high efficiency propeller
- Made of highly durable EPO

Table of contents

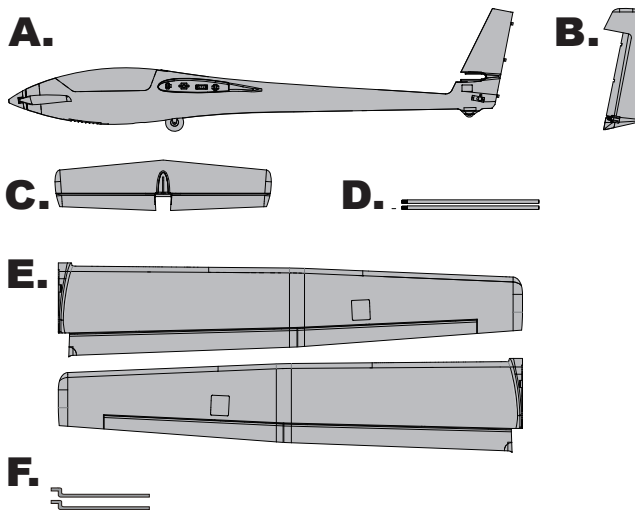
Introduction	3
Kit contents	3
Model assembly	4
Battery installation	6
Receiver diagram	6
Get your model ready to fly	6
Clevis installation	8
Control horn and servo arm settings	8
Center of gravity(CG)	8
Before flying the model	9
Flying course	9
Troubleshooting	10
Spare parts list content	10
User Manual of Brushless Speed Controller	11

Kit contents

Before assembly, please inspect the contents of the kit. The photo below details the contents of the kit with labels. If any parts are missing or defective, please identify the name or part number (refer to the spare parts list near the end of the manual) then contact your local shop or email us: support@fmsmodel.com.

Specifications

Wingspan: 2500mm /98.4 in
Overall Length: 1390mm /54.7 in
Flying Weight: 2350g
Motor Size: 3541 KV750
Wing Load: 45.7g/dm² (0.09oz/in²)
Wing Area: 50.3 dm² (779.5 sq.in)
ESC: 40A
Servo: 17g*4pcs, 9g*2pcs
Recommended Battery: 14.8V 2200mAh-2600mAh 35c



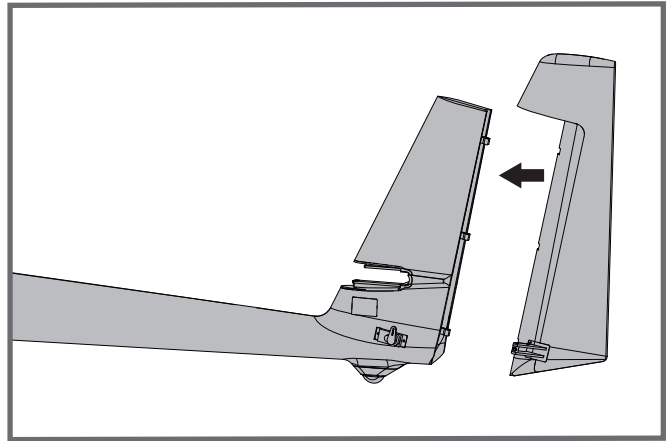
A:Fuselage C:Horizontal stabilizer E:Wing halves
 B:Rudder D:Wing spar joiner F:Pushrods

Model assembly

Installation of the vertical and horizontal stabilizers

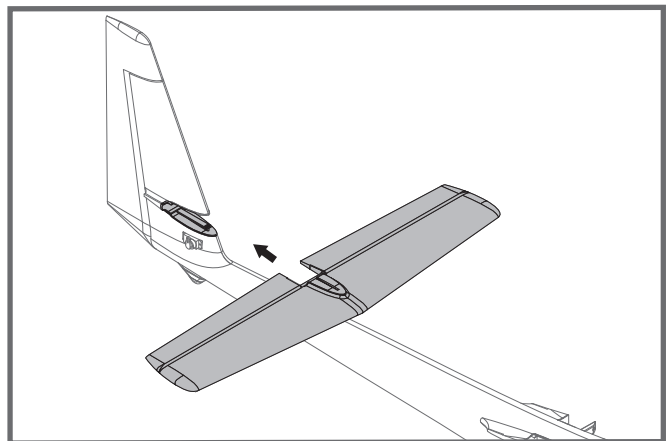
1. The rudder snaps on to the vertical stabilizer with an audible “click”.

NOTE: Gently pull on the rudder to ensure that the control surface has been properly installed.



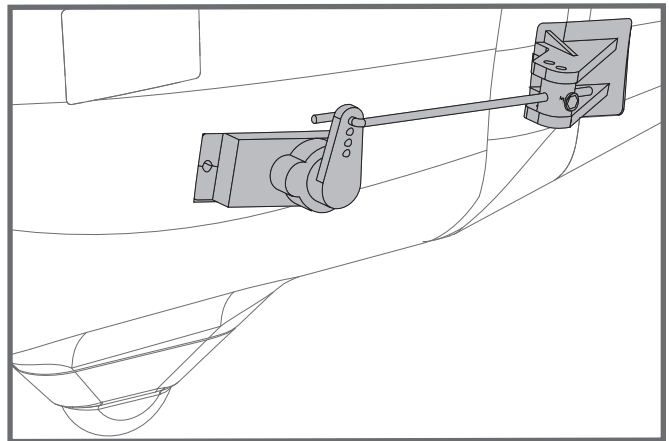
2. Slide the horizontal stabilizer onto the vertical stabilizer.

NOTE: Gently pull on the horizontal stabilizer to ensure that the stabilizer has been properly installed.



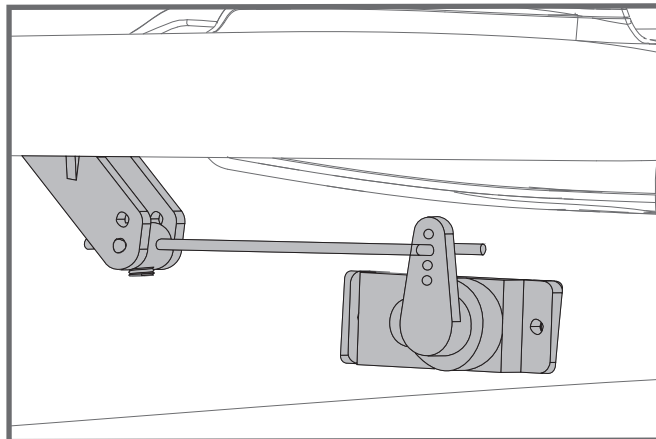
Installation of the pushrods

1. With the rudder servo at its neutral position, connect the pushrod to the rudder and secure using a hex-key.



Model assembly

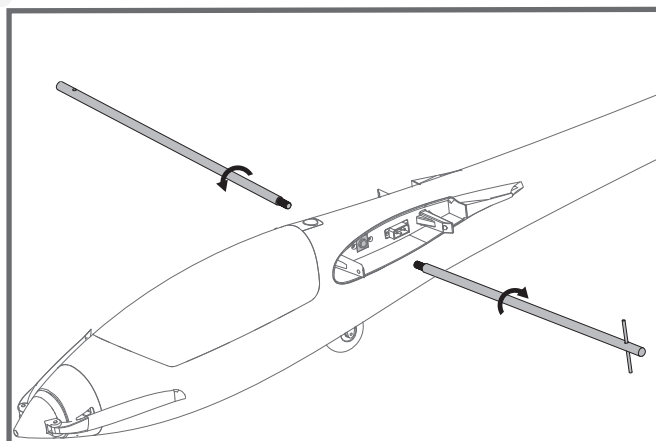
2. With the elevator servo at its neutral position, connect the pushrod to the elevator and secure using a hex key.



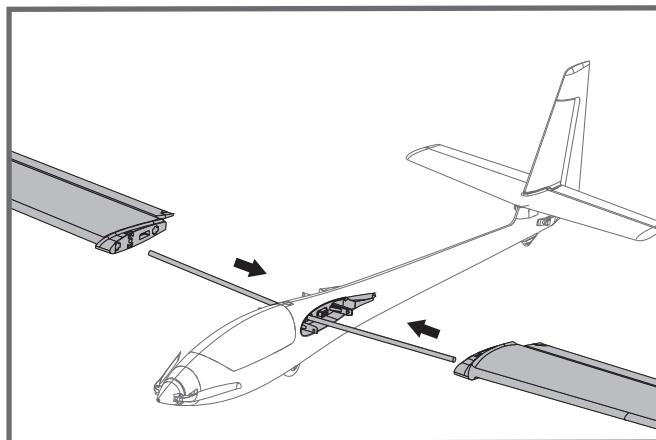
Wing installation

1. Rotate the threaded end of the spar into the fuselage in the direction as shown, then use the included metal key to tighten.

NOTE: Check that the connectors have been securely fastened onto the fuselage.



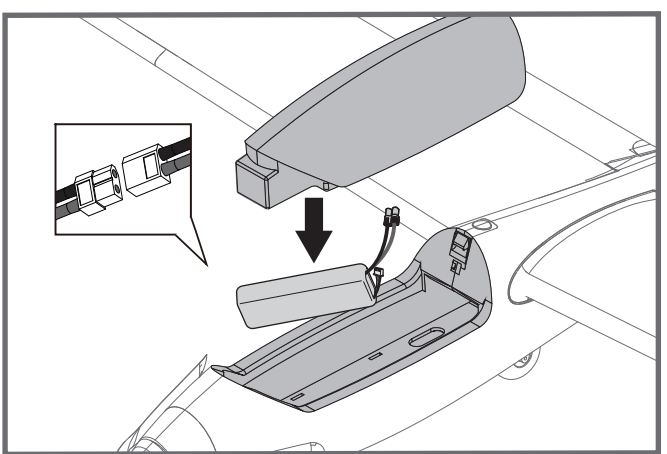
2. Slide the wing halves onto the fuselage until an audible "Click" is heard.



Battery installation

1. Pull back on the latch and remove the battery hatch.
2. Apply the hook tape to the cable end of the battery.
3. Slide the full charged battery into the battery compartment with the power supply cable toward the rear end of the plane.

Note: The center of gravity can be adjusted by moving the battery forward or aft. Having the correct center of gravity is critical to achieving proper flight characteristics.



Receiver diagram

The cables from the servo connector board should be connected to your receiver in the order shown. Note that the LEDs can be powered by any spare channel on the receiver. Tuck the wire leads into the recessed cavity towards the rear of the battery hatch.

Note: For aircraft equipped with flaps, please connect the flap servos to CH 6. LED lights can be plugged into any spare channel.

		Receiver
Aileron	1	Channel-1 — Aile
Elevator	2	Channel-2 — Elev
Throttle	3	Channel-3 — Thro
Rudder	4	Channel-4 — Rudd
Gear	5	Channel-5 — Gear
Spare	6	Channel-6 — Spare

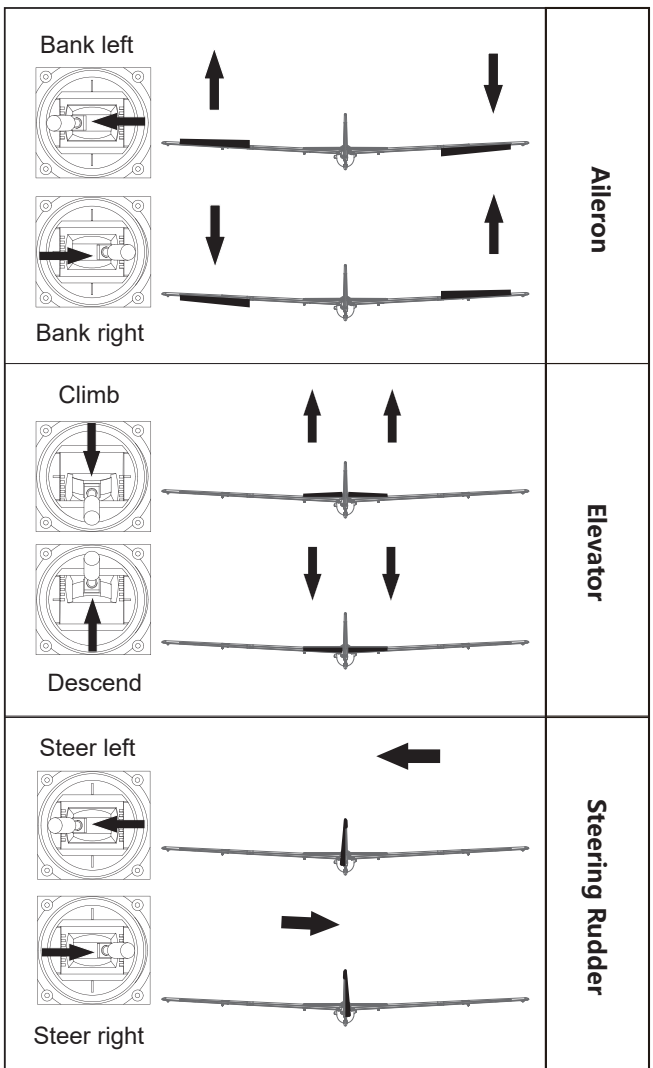
Get your model ready to fly

Important ESC and model information

1. The ESC included with the model has a safe start. If the motor battery is connected to the ESC and the throttle stick is not in the low throttle or off position, the motor will not start until the throttle stick is moved to the low throttle or off position. Once the throttle stick is moved to the low throttle or off position, the motor will emit a series of beeps. Several beeps with the same tune means the ESC has detected the cells of the battery. The count of the beeps equals the cells of the battery. The motor is now armed and will start when the throttle is moved.
2. The motor and ESC come pre-connected and the motor rotation should be correct. If for any reason the motor is rotating in the wrong direction, simply reverse two of the three motor wires to change the direction of rotation.
3. The motor has an optional brake setting. The ESC comes with brake switched off and we recommend that the model be flown with the brake off. However, the brake could be accidentally switched on if the motor battery is connected to the ESC while the throttle stick is set at full throttle. To switch the brake off, move the throttle stick to full throttle and plug in the motor battery. The motor will beep one time. Move the throttle stick to low throttle or the off position. The motor is ready to run and the brake will be switched off.
4. Battery Selection and Installation. We recommend the 14.8V 2200mAh-2600mAh 35c Li-Po battery. If using another battery, the battery must be at least a 14.8V 2200mAh-2600mAh 35c battery. Your battery should be approximately the same capacity, dimension and weight as the 14.8V 2200mAh-2600mAh 35c Li-Po battery to fit the fuselage without changing the center of gravity significantly.

Transmitter and model setup

Before getting started, bind your receiver with your transmitter. Please refer to your transmitter manual for proper operation.
CAUTION: To prevent personal injury, DO NOT install the propeller assembly onto the motor shaft while testing the control surfaces. DO NOT arm the ESC and do not turn on the transmitter until the Transmitter Manual instructs you to do so.
 Tips: Make sure all control sticks on your radio are in the neutral position (rudder, elevator, ailerons) and the throttle is in the OFF position. Make sure both ailerons move up and down (travel) the same amount. This model tracks well when the left and right ailerons travel the same amount in response to the control stick. Move the controls on the transmitter to make sure the aircraft control surface moves correctly. See diagrams right.



Control throws

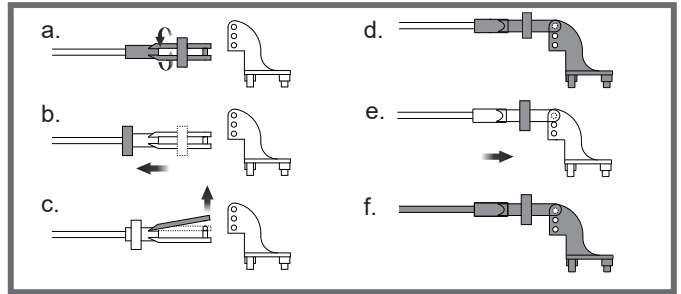
The suggested control throw setting for the ASW-17 are as follows (dual rate setting):

Tips: On the first flight, fly the model in low rate. The first time you use high rates, be sure to fly at low to medium speeds. High rate, as listed, is only for EXTREME maneuvering.

	High Rate	Low Rate
Elevator	14mm up / down	10mm up / down
Aileron	16mm up / down	12mm up / down
Rudder	16mm left / right	12mm left / right

Clevis installation

1. Pull the tube from the clevis to the linkage.
2. Carefully spread the clevis, then insert the clevis pin into the desired hole in the control horn.
3. Move the tube to hold the clevis on the control horn.



Control horn and servo arm settings

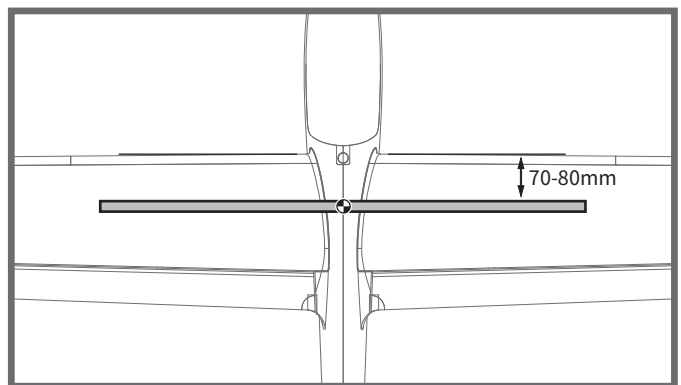
The table shows the factory settings for the control horns and servo arms. Fly the aircraft at the factory settings before making changes. After flying, you may choose to adjust the linkage positions for the desired control response.

	Horns	Arms	More control throw
Elevator			
Rudder			
Ailerons			
			Less control throw

Check the C.G. (Center of gravity)

When balancing your model, adjust the battery as necessary so the model is level or slightly nose down. This is the correct balance point for your model. After the first flight, the CG position can be adjusted for your personal preference.

1. The recommended Center of Gravity (CG) location for your model is (70-80mm) from the leading edge of the main wing (as shown) with the battery pack installed. Mark the location of the CG on top of the wing.
2. When balancing your model, support the plane at the marks made on the bottom of the main wing with your fingers or a commercially available balancing stand. This is the correct balance point for your model. Make sure the model is assembled and ready for flight before balancing.



Before flying the model

Find a suitable flying site

Find a flying site clear of buildings, trees, power lines and other obstructions. Until you know how much area will be required and have mastered flying your plane in confined spaces, choose a site which is at least the size of two to three football fields - a flying field specifically for R/C planes is best. Never fly near people - especially children, who can wander unpredictably.

Perform the range check for your plane

As a precaution, an operational ground range test should be performed before the first flight each time you go out. Performing a range test is a good way to detect problems that could cause loss of control such as low batteries, defective or damaged radio components, or radio interference. This usually requires an assistant and should be done at the actual flying site you will be using.

First turn on the transmitter, then install a fully-charged battery into the fuselage. Connect the battery and install the hatch.

Remember, use care not to bump the throttle stick. Otherwise, the propeller/fan will turn and possibly cause damage or injury.

Note: Please refer to your Transmitter Manual that came with your radio control system to perform a ground range check. If the controls are not working correctly or if anything seems wrong, do not fly the model until you correct the problem. Make certain all the servo wires are securely connected to the receiver and the transmitter batteries have a good connection.

Monitor your flight time

Monitor and limit your flight time using a timer (such as on a wristwatch or in your transmitter if available). When the batteries are getting low you will usually notice a performance drop before the ESC cuts off motor power, so when the plane starts flying slower you should land. Often (but not always) power can be briefly restored after the motor cuts off by holding the throttle stick all the way down for a few seconds. To avoid an unexpected dead-stick landing on your first flight, set your timer to a conservative 4 minutes. When your alarm sounds you should land right away.

Flying course

Take off

While applying power, slowly steer to keep the model straight. The model should accelerate quickly. As the model gains flight speed you will want to climb at a steady and even rate. It will climb out at a nice angle of attack (AOA).

Flying

Always choose a wide-open space for flying your plane. It is ideal for you to fly at a sanctioned flying field. If you are not flying at an approved site always avoid flying near houses, trees, wires and buildings. You should also be careful to avoid flying in areas where there are many people, such as busy parks, schoolyards, or soccer fields. Consult laws and ordinances before choosing a location to fly your aircraft. After takeoff, gain some altitude. Climb to a safe height before trying technical manoeuvres, including high speed passes, inverted flight, loops, and point rolls.

Landing

Land the model when you hear the motor pulsing (LVC) or if you notice a reduction in power. If using a transmitter with a timer, set the timer so you have enough flight time to make several landing approaches.

The model's three point landing gear allows the model to land on hard surfaces. Align model directly into the wind and fly down to the ground. Fly the airplane down to the ground using 1/4-1/3 throttle to keep enough energy for proper flare. Before the model touches down, always fully decrease the throttle to avoid damaging the propeller or other components. The key to a great landing is to manage the power and elevator all the way to the ground and set down lightly on the main landing gear. After a few flights you will find the model can be set down lightly on the mains and you can hold the nose wheel off balancing the model on the mains until it slows and gently settles the nose.

Maintenance

Repairs to the foam should be made with foam safe adhesives such as hot glue, foam safe CA, and 5min epoxy. When parts are not repairable, see the Spare Parts List for ordering by item number.

Always check to make sure all screws on the aircraft are tightened. Pay special attention to make sure the spinner is firmly in place before every flight.

Trouble shooting

Problem	Possible Cause	Solution
Aircraft will not respond to the throttlebut responds to other controls.	-ESC is not armed. -Throttle channel is reversed.	-Lower throttle stick and throttle trim to lowest settings. -Reverse throttle channel on transmitter.
Extra propeller noise or extra vibration.	-Damaged spinner, propeller, motor or motor mount. -Loose propeller and spinner parts. -Propellor installed backwards.	-Replace damaged parts. -Tighten parts for propeller adapter, propeller and spinner. -Remove and install propeller correctly.
Reduced flight time or aircraft underpowered.	-Flight battery charge is low. -propeller installed backward. -Flight battery damaged.	-Completely recharge flight battery. -Replace flight battery and follow flight battery instructions.
Control surface does not move, or is slow to respond to control inputs.	-Control surface, control horn, linkage or servo damage. -Wire damaged or connections loose.	-Replace or repair damaged parts and adjust controls. -Do a check of connections for loose wiring.
Controls reversed.	Channels are reversed in the transmitter.	Do the control direction test and adjust controls for aircraft and transmitter.
-Motor loses power -Motor power pulses then motor loses power.	-Damage to motor, or battery. -Loss of power to aircraft. -ESC uses default soft Low Voltage Cutoff(LVC).	-Do a check of batteries, transmitter, receiver, ESC, motor and wiring for damage(replace as needed). -Land aircraft immediately and recharge flight battery.
LED on receiver flashes slowly.	Power loss to receiver.	-Check connection from ESC to receiver. -Check servos for damage. -Check linkages for binding.

Spare parts list content

FMSEB101	Fuselage	PRKV750E	3541-KV750 motor
FMSEB102	Main wing set	PRESC034	40A ESC (with brake function)
FMSEB103	Horizontal stabilizer	FMS17GDP	17g digital gear servo positive
FMSEB104	Rudder	FMS9MGDP	9g digital metal gear servo positive
FMSEB105	Spinner set	FMSCON0013	Multi-connector set
FMSEB106	Cockpit		
FMSEB107	Fuselage Wheel set		
FMSEB108	Air intake		
FMSEB109	Sticker		
FMSEB110	Spar set		
FMSEB111	Linkage rod and holder		
FMSPROP059	13.5*6 (2-blade) propeller		
FMSBM042	Motor board		
FMSDJ015	Motor mount		
FMSDZ022	Motor shaft		

Visit our website: www.fmsmodel.com to see photo of this product. Enter the key word "ESC" in the search bar for the stock ESC instruction manual.

User Manual of Brushless Speed Controller

Thanks for purchasing our Electronic Speed Controller (ESC). High power system for RC model is very dangerous, please read this manual carefully. In that we have no control over the correct use, installation, application, or maintenance of our products, no liability shall be assumed nor accepted for any damages, losses or costs resulting from the use of the product. Any claims arising from the operating, failure or malfunctioning etc. will be denied. We assume no liability for personal injury, property damage or consequential damages resulting from our product or our workmanship. As far as is legally permitted, the obligation to compensation is limited to the invoice amount of the affected product.

Specifications

Model	Cont Current	Burst Current (≤10)	BEC Mode	BEC Output	BEC Output Capability				Battery Cell		Weight	Weight
					2S Lipo	3S Lipo	4S Lipo	6S Lipo	Lipo	NiMH		L*W*H (mm)
6A	6A	8A	Linear	5V/0.8A	3servos				2S	5-6 cells	5.5	32*12*4.5
12A	12A	15A	Linear	5V/1A	3servos	2servos			2-3S	5-9 cells	9g	38*18*6
12AE	12A	15A	Linear	5V/2A	5servos	4servos			2-3S	5-9 cells	10g	38*18*7
15A	15A	20A	Linear	5V/2A	5servos	4servos			2-3S	5-9 cells	16.5g	48*22.5*6
20A	20A	25A	Linear	5V/2A	5servos	4servos			2-3S	5-9 cells	19g	42*25*8
30A	30A	40A	Linear	5V/2A	5servos	4servos			2-3S	5-9 cells	37g	68*25*8
40A	40A	55A	Linear	5V/3A	5servos	4servos			2-3S	5-9 cells	39g	68*25*8
40A-UBEC	40A	55A	Switch	5V/3A	5servos	5servos	5servos		2-4S	5-12 cells	43g	65*25*12
50A-UBEC	50A	65A	Switch	5V/5A	8servos	8servos	6servos	6servos	2-4S	5-12 cells	41g	65*29*10
60A-UBEC	60A	80A	Switch	5V/5A	8servos	8servos	6servos	6servos	2-6S	5-18 cells	63g	77*35*14
60A-UBEC	60A	80A	N/A	N/A					2-6S	5-18 cells	60g	86*38*12
80A-UBEC	80A	100A	Switch	5V/5A	8servos	8servos	6servos	6servos	2-6S	5-18 cells	82g	86*38*12
80A-UBEC	80A	100A	N/A	N/A					2-6S	5-18 cells	79g	86*38*12

Programmable Items (The option written in bold font is the default setting)

1. Brake Setting: Enabled / **Disabled**
2. Battery Type: **Lipo** / NiMH
3. Low Voltage Protection Mode(Cut-Off Mode): **Soft Cut-Off (Gradually reduce the output power)** /Cut-Off (Immediately stop the output power).
4. Low Voltage Protection Threshold(Cut-Off Threshold): Low / **Medium** / High
 - 1) For lithium battery, the battery cell number is calculated automatically. Low / medium / high cutoff voltage for each cell is 2.85V/3.15V/3.3V. For example: For a 3S Lipo, when "Medium" cutoff threshold is set, the cut-off voltage will be:3.15*3=9.45V.
 - 2) For NiMH battery, low / medium / high cutoff voltages are 0%/50%/65% of the startup voltage (i.e. the initial voltage of battery pack), and 0% means the low voltage cut-off function is disabled. For example: For a 6 cells NiMH battery, fully charged voltage is 1.44*6=8.64V, when "Medium"cut-off threshold is set, the cut-off voltage will be: 8.64*50%=4.32V.
5. Startup Mode: **Normal** /Soft /Super-Soft (300ms / 1.5s / 3s)
 - a) Normal mode is suitable for fixed-wing aircraft. Soft or Super-soft modes are suitable for helicopters. The initial acceleration of the Soft and Super-Soft modes are slower, it takes 1.5 second for Soft startup or 3 seconds for Super-Soft startup from initial throttle advance to full throttle. If the throttle is completely closed (throttle stick moved to bottom position) and opened again (throttle stick moved to top position) within 3 seconds after the first startup, the re-startup will be temporarily changed to normal mode to get rid of the chance of a crash caused by slow throttle response. This special design is suitable for aerobatic flight when quick throttle response is needed.
6. Timing: **Low** / Medium / High,(3.75°/15°/26.25°) Usually, low timing is suitable for most motors. To get higher speed, High timing value can be chosen.

User Manual of Brushless Speed Controller

Begin To Use Your New ESC

IMPORTANT! Because different transmitter has different throttle range, please calibrate throttle range before flying.

Throttle range setting (Throttle range should be reset whenever a new transmitter is being used)

- 1.Switch on the transmitter, move throttle stick to the top position.
- 2.Connect battery pack to the ESC, and wait for about 2 seconds.
- 3.The "Beep-Beep-" tone should be emitted, means the top point of throttle range has been confirmed.
- 4.Move throttle stick to the bottom position, several "beep-" tones should be emitted to present the amount of battery cells.
- 5.A long "Beep-" tone should be emitted, means the lowest point of throttle range has been correctly confirmed.

Normal startup procedure

- 1.Move throttle stick to bottom position and then switch on transmitter.
- 2Connect battery pack to ESC, special tone like "♪ 123" means power supply is OK.
- 3.Several "beep-" tones should be emitted to present the amount of lithium battery cells.
- 4.When self-test is finished, a long"beep-----" tone should be emitted.
- 5.Move throttle stick upwards to go flying.

Protection Function

1. Start up failure protection: If the motor fails to start within 2 seconds of throttle application, the ESC will cut-off the output power. In this case, the throttle stick **MUST** be moved to the bottom again to restart the motor. (Such a situation happens in the following cases: The connection between ESC and motor is not reliable, the propeller or the motor is blocked, the gearbox is damaged, etc.)
2. Over-heat protection: When the temperature of the ESC is over about 110 Celsius degrees, the ESC will reduce the output power.
- 3.Throttle signal loss protection: The ESC will reduce the output power if throttle signal is lost for 1 second, further loss for 2 seconds will cause the output to be cut-off completely.

Trouble Shooting

Trouble	Possible Reason	Action
After power on, motor does not work, no sound is emitted	After power on, motor does not work,no sound is emitted	Check the power connection. Replace the connector.
After power on, motor does not work, such an alert tone is emitted: "beep-beep-, beep-beep-,beep-beep-" (Every "beep-beep-" has a time interval of about 1 second)	Input voltage is abnormal, too high or too low	Check the voltage of battery pack
After power on, motor does not work, such an alert tone is emitted: "beep-, beep-, beep- "(Every "beep-" has a time interval of about 2 seconds)	Throttle signal is irregular	Check the receiver and transmitter Check the cable of throttle channel
After power on, motor does not work, such an alert tone is emitted: "beep-, beep-, beep- "(Every "beep-" has a time interval of about 0.25 second)	The throttle stick is not in the bottom (lowest) position	Move the throttle stick to bottom position
After power on, motor does not work, a special tone "♪56712" is emitted after 2 beep tone (beep-beep-)	Direction of the throttle channel is reversed, so the ESC has entered the program mode	Set the direction of throttle channel correctly
The motor runs in the opposite direction	The connection between ESC and the motor need to be changed	Swap any two wire connections between ESC and motor

Program the ESC with your transmitter (4 Steps)

Note: Please make sure the throttle curve is set to 0 when the throttle stick is at bottom position and 100% for the top position.

NO.1 Enter program mode

1. Switch on transmitter, move throttle stick to top position, connect the battery pack to ESC
2. Wait for 2 seconds, the motor should emit special tone like "beep-beep-"
3. Wait for another 5 seconds, special tone like "♪56712" should be emitted, which means program mode is entered.

NO.2 Select programmable items

After entering program mode, you will hear 8 tones in a loop with the following sequence. If you move the throttle stick to bottom within 3 seconds after one kind of tones, this item will be selected.

Prompt tone	Selected item
"beep"(1 short tone)	brake
"beep-beep-(2 short tone)	battery type
"beep-beep-beep-(3 short tone)	cutoff mode
"beep-beep-beep-beep-(4 short tone)	cutoff threshold
"beep——"(1 long tone)	startup mode
"beep——beep-(1 long 1 short)	timing
"beep——beep-beep-" (1 long 2 short)	set all to default
"beep——beep——"(2 long tone))	exit

Note: 1 long "beep-----" = 5 short "beep-"

NO.3 Set item value (Programmable value)

You will hear several tones in loop. Set the value matching to a tone by moving throttle stick to top when you hear the tone, then a special tone "♪1515" emits, means the value is set and saved. (Keeping the throttle stick at top, you will go back to Step 2 and you can select other items; or moving the stick to bottom within 2 seconds will exit program mode directly) .

Tones	"beep-" 1 short tone	"beep-beep-" 2 short tones	"beep-beep-beep" 3 short tones
Brake	Off	On	
Battery type	Lipo	NiMH	
Cutoff mode	Soft-Cut	Cut-Off	
Cutoff threshold	Low	Medium	High
Start mode	Normal	Soft	Super soft
Timing	Low	Medium	High

NO.4 Exit program mode

There are 2 ways to exit program mode:

1. In step 3, after special tone " ", please move throttle stick to the bottom position within 2 seconds.
2. In step 2, after tone "beep-----beep-----"(that is: The item #8),move throttle stick to bottom within 3 seconds.

Warnhinweise



WARNUNG: Lesen Sie die GESAMTE Bedienungsanleitung, um sich vor der Inbetriebnahme mit den Funktionen des Produkts vertraut zu machen.

Wenn das Produkt nicht ordnungsgemäß bedient wird, kann dies zu Schäden am Produkt oder persönlichem Eigentum führen und schwere Verletzungen verursachen. Dieses Produkt ist kein Spielzeug! Es muss mit Vorsicht und gesundem Menschenverstand betrieben werden. Andernfalls kann es zu Verletzungen oder Schäden am Produkt oder anderen Sachwerten führen. Dieses Produkt ist nicht für den Betrieb durch Kinder ohne direkte Aufsicht von Erwachsenen vorgesehen.

Diese Anleitung enthält Hinweise zu Sicherheit und Wartung. Es ist wichtig, dass vor der Verwendung alle Anweisungen und Warnungen in der Anleitung gelesen und befolgt werden, um Schäden oder schwere Verletzungen zu vermeiden.

Sicherheitsvorkehrungen

Als Benutzer dieses Produkts sind Sie allein dafür verantwortlich dieses Produkt so zu betreiben, dass weder Sie selbst noch andere gefährdet oder Schäden am Produkt oder Eigentum anderer verursacht werden.

Dieses Modell wird von einem Funksignal gesteuert, das von vielen Quellen außerhalb Ihrer Kontrolle gestört werden kann. Solche Störungen können zu einem vorübergehenden Kontrollverlust führen. Daher sollte immer einen Sicherheitsabstand zu Personen und Gebäuden eingehalten werden.

Altersempfehlung: Nicht für Kinder unter 14 Jahren. Dies ist kein Spielzeug.

- Betreiben Sie Ihr Modell niemals mit leeren Senderbatterien.
- Betreiben Sie Ihr Modell immer in einem offenen Bereich, abseits von Gebäuden, Verkehr oder Personen.
- Befolgen Sie die gesetzlichen Regelungen Ihres Landes zum Betrieb von ferngesteuerten Modellflugzeugen.
- Befolgen Sie sorgfältig die Anweisungen und Warnungen für dieses und alle unterstützenden Geräte, die Sie verwenden (Ladegeräte, wiederaufladbare Akkus usw.).
- Bewahren Sie alle Chemikalien, Kleinteile und elektrischen Geräte außerhalb der Reichweite von Kindern auf.
- Feuchtigkeit verursacht Schäden an der Elektronik. Vermeiden Sie, dass die Produkte Wasser ausgesetzt werden, die nicht speziell für diesen Zweck entworfen und geschützt sind.
- Nehmen Sie Teile des Produkts niemals in den Mund, da dies zu schweren Verletzungen oder sogar zum Tod führen kann.

Hinweise zu LiPo-Akkus

VORSICHT: Befolgen Sie immer die Anweisungen des Herstellers zur sicheren Verwendung und Entsorgung von Batterien. Durch falsche Handhabung von Li-Po-Batterien können Feuer, Sachschäden oder schwere Verletzungen verursacht werden.

- Seien Sie sich über alle Risiken klar, die mit dem Umgang von Lithium Polymer (LiPo) Akkus verbunden sind. Wenn die Akkus zu irgendeinem Zeitpunkt anschwellen oder aufblähen, verwenden Sie diese auf keinen Fall mehr!
- Um die Lebensdauer des Akkus zu verlängern sollten dieser bei Zimmertemperatur in einem trockenen Bereich gelagert werden. Bewahren Sie den Akku oder das Modell nicht in einem Auto oder in direktem Sonnenlicht auf. Wenn der Akku über einen längeren Zeitraum zu hohen Temperaturen ausgesetzt wird kann dieser beschädigt werden oder sogar Feuer fangen.
- Verwenden Sie niemals ein NiMh-Ladegerät, um Li-Po-Akkus aufzuladen. Wenn der Akku nicht mit einem Li-Po-kompatiblen Ladegerät geladen wird, kann dies zu einem Brand führen, der zu Personen- und Sachschäden führen kann.
- Niemals Li-Po Zellen unter 3V entladen.
- Lassen Sie Akkus beim Laden niemals unbeaufsichtigt.
- Laden Sie niemals beschädigte Akkus auf.
- Aufladen des LiPo-Akkus: Verwenden Sie ein Ladegerät, das die Li-Po-Batterie sicher aufladen kann. Lesen Sie vor dem Gebrauch die Anweisungen des Ladegeräts sorgfältig durch. Achten Sie beim Laden des Akkus darauf, dass sich der Akku auf einer hitzebeständigen Oberfläche befindet. Es wird auch dringend empfohlen, den Li-Po Akku in einem feuerbeständigen LiPo-Koffer zu laden. LiPo Koffer finden Sie bei Ihrem Fachhändler oder im Internet.

Einleitung

Hier kommt die brandneue 2500mm ASW-17 von FMS!

Bei der Konstruktion der ASW-17 hat FMS kein Detail übersehen! Die FMS Ingenieure haben es geschafft das Tragflächenprofil für eine perfekte Effizienz zu modifizieren.

Die Tragfläche sowie Höhen- und Seitenleitwerk sind in einer "Schnappstruktur" konstruiert. Mit einem einfachen Schnappsystem werden die Flächen präzise am Rumpf befestigt - ohne Schrauben oder Klebstoff! Bauen Sie das Flugzeug in nur 3 Minuten!

Die ASW-17 verfügt über einen vorinstallierten Kohlefaserholm, der die Flügelsteifigkeit selbst bei Manövern mit hohen G-Kräften gewährleistet.

Die ASW-17 ist mit einer speziellen CNC-Aluminium-Holmverbindung konstruiert, die es dem Flugzeug ermöglicht, seine Flügelgeometrie während anspruchsvoller Flugfiguren beizubehalten.

Was die Leistung betrifft, so bietet ein hochwertiger Hobbywing 40A Regler in Verbindung mit einem Predator 3541-750KV-Brushless-Motor an 4S ausreichend Leistung, um spektakuläre Kunstflugmanöver durchzuführen.

Wenn Effizienz, Stabilität und Kunstflugfähigkeiten das sind, was Sie an einem Segelflugzeug suchen, dann haben Sie es gerade gefunden! Mit der ASW-17 von FMS!

Eigenschaften:

- Predator 3541 BL-Motor und 40A Regler
- Schnappmontage, kein Kleber erforderlich
- Zweiteilige Fläche
- Funktionsfähige Klappen
- Klappbarer Hochleistungspropeller
- Hergestellt aus robustem, leichtem EPO

Inhalt

Einleitung	15
Lieferumfang	15
Montage des Modells	16
Einsetzen des Akkus	18
Anschließen an den Empfänger	18
Flugvorbereitungen	20
Montage der Gabelköpfe	20
Ruderhorn- und Servoarm-Einstellungen	20
Schwerpunkt	20
Vor dem Erstflug	21
Fluggrundlagen	21
Problemlösungen	22
Ersatzteile	22
Bedienungsanleitung zum Regler	23

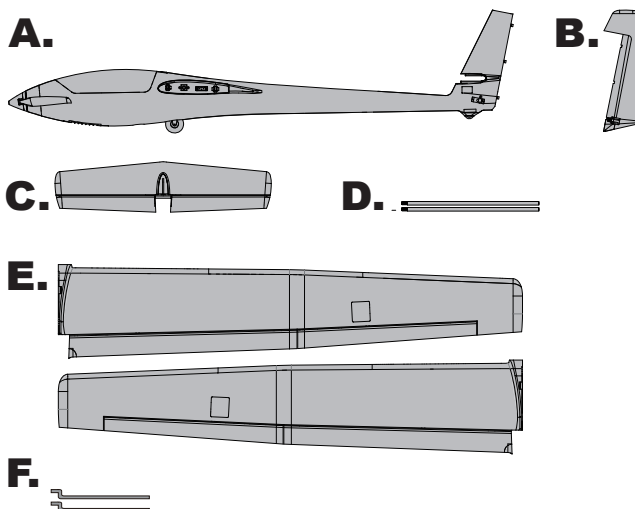
Lieferumfang

Bitte überprüfen Sie vor der Endmontage ob alle Teile des Modells enthalten sind. Das folgende Bild zeigt den Inhalt des Kits.

Sollten Teile fehlen notieren Sie sich bitte den Namen und die Teilenummer (siehe Ersatzteilliste am Ende dieser Bauanleitung) und kontaktieren Sie Ihren lokalen Händler oder senden Sie uns eine E-Mail an info@d-power-modellbau.com.

Technische Daten

Spannweite:2500mm
Länge: 1390mm
Fluggewicht:2350g
Motor:3541 KV750
Flächenbelastung:45.7g/dm²
Flächeninhalt:50.3dm²
Regler:40A
Servo:4*17g, 2*9g
Empfohlener Akku:14.8V 2200mAh-2600mAh 35C



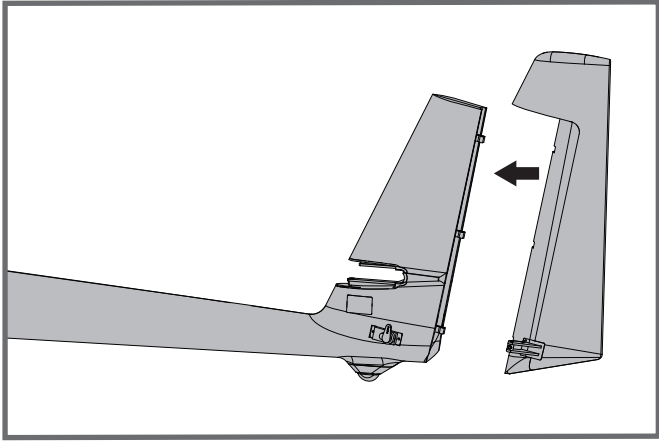
A:Rumpf C:Höhenleitwerk E:Tragflächen Set
 B:Seitenruder D:Flächenverbinder F:Anlenkungen

Montage des Modells

Montage der Leitwerke

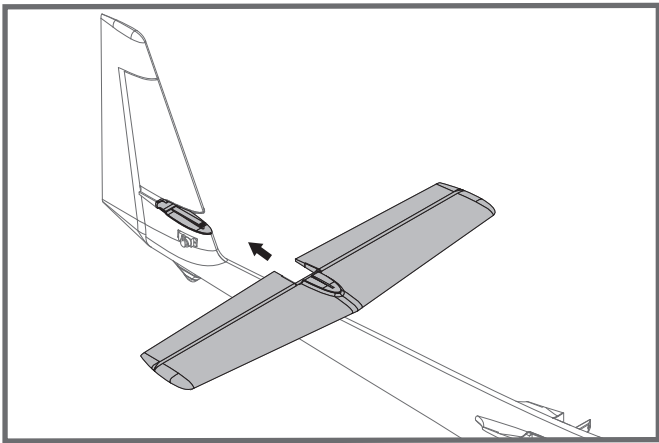
1. Das Seitenruder wird mit einem hörbaren "Klick" eingerastet.

HINWEIS: Ziehen Sie vorsichtig am Ruder, um sicherzustellen, dass das Ruder richtig installiert wurde.



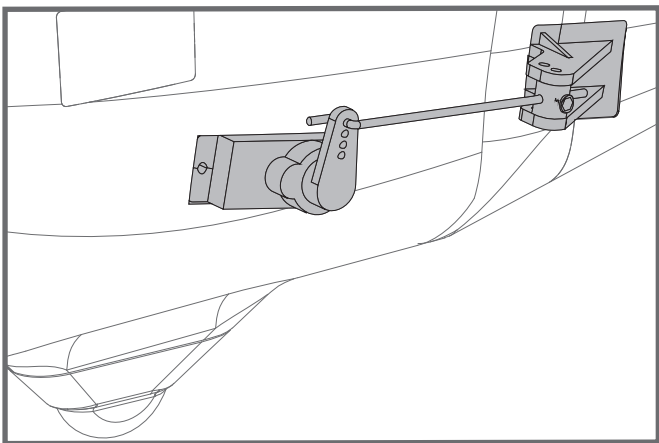
2. Schieben Sie das Höhenleitwerk in das Seitenleitwerk.

HINWEIS: Ziehen Sie vorsichtig am Höhenleitwerk, um sicherzustellen, dass das Leitwerk richtig installiert wurde.



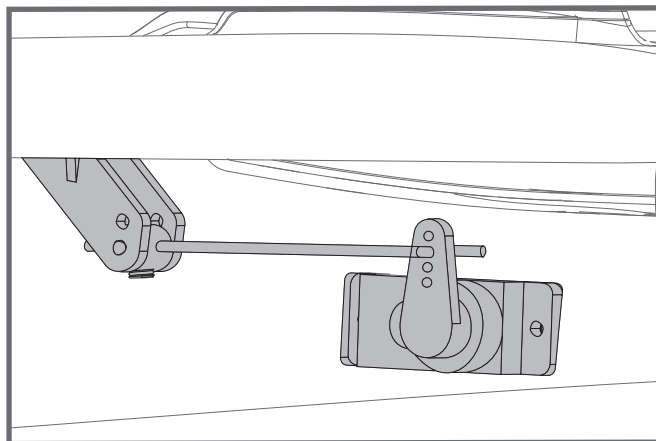
Montage der Anlenkung

1. Verbinden Sie mit dem Anlenkungs-Gestänge das in neutrale Position gestellte Seitenruder-Servo mit dem Ruderhorn.



Montage des Modells

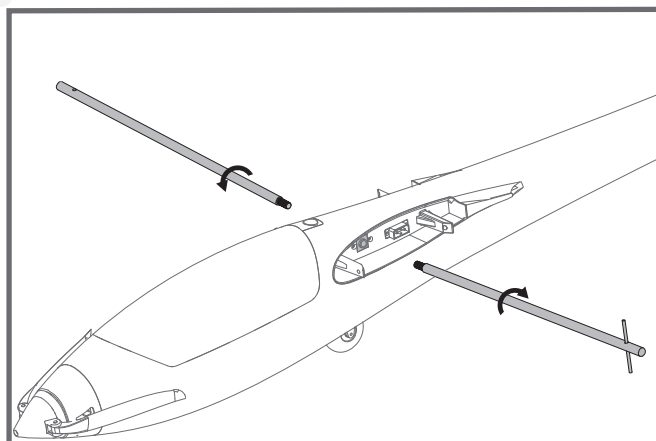
2. Montieren Sie die Anlenkung ebenfalls am Höhenruder-Servo.



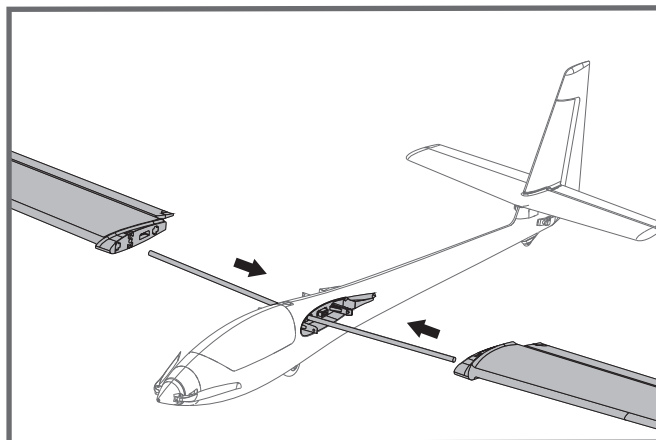
Montage der Tragflächen

1. Drehen Sie die Flächenverbinder wie abgebildet in den Rumpf.

HINWEIS: Prüfen Sie, ob die Verbinder sicher am Rumpf befestigt sind.



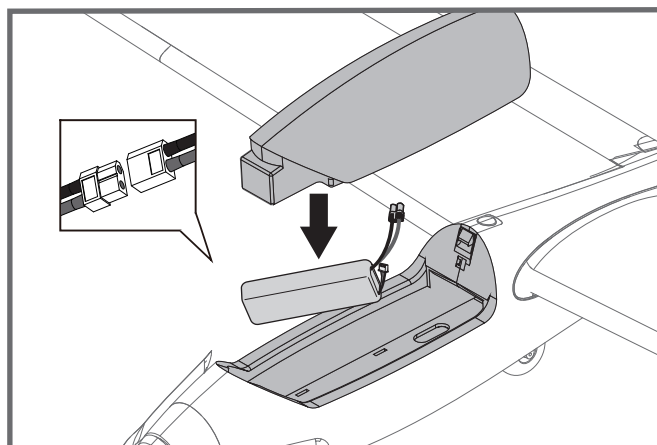
2. Schieben Sie die Flächenhälften auf den Flächenverbinder und in den Rumpf, bis Sie ein "Klick" hören.



Einstezen des Akkus

1. Nehmen Sie die Haube ab.
2. Befestigen Sie den Akku mit dem Klettband.
3. Schieben Sie den geladenen Akku mit den Kabeln nach hinten in bis ganz nach vorne im Akkufach.

Hinweis: Der Schwerpunkt des Modells kann durch verschieben des Akkus verändert werden. Der korrekte Schwerpunkt hat Auswirkungen auf die Flugperformance.



Anschließen an den Empfänger

Die Kabel von der Servosteckerleiste sollten in der dargestellten Reihenfolge an Ihren Empfänger angeschlossen werden. Beachten Sie, dass die LEDs von jedem freien Kanal des Empfängers gespeist werden können. Stecken Sie die Kabel in die Aussparung an der Rückseite der Batterieklappe.

HINWEIS: Bei Flugzeugen, die mit Wölbklappen ausgerüstet sind, schließen Sie bitte die Wölbklappenservos an CH6 an. Die LED-Leuchten können in jeden freien Kanal eingesteckt werden.

		Receiver
Aileron	1	Channel-1 — Aile
Elevator	2	Channel-2 — Elev
Throttle	3	Channel-3 — Thro
Rudder	4	Channel-4 — Rudd
Gear	5	Channel-5 — Gear
Spare	6	Channel-6 — Spare

Flugvorbereitungen

Wichtige Informationen zum Regler

1. Der eingebaute Regler ist mit einer Sicherheitsschaltung versehen. Sollte der Akku angeschlossen sein und der Gashebel nicht auf niedrig / Motor aus stehen, wird der Motor nicht starten. Wird der Gashebel ganz nach unten bewegt erzeugt der Regler eine Tonserie. Töne in der gleichen Höhe geben die Anzahl der Zellen an die der Regler gezählt hat. Diese ist gleich mit der Zellenanzahl des Akkus. Der Regler ist jetzt scharf geschaltet und startet den Motor wenn der Gashebel bewegt wird.
2. Motor und Regler sind bereits verkabelt und auch die Drehrichtung des Motors sollte korrekt sein. Sollte der Motor in die falsche Richtung drehen, tauschen Sie zwei der drei Motoranschlusskabel um die Richtung wieder zu ändern.
3. Der Regler ist mit einer optionalen Bremse ausgestattet. Wir empfehlen das Modell mit der deaktivierten Bremse zu fliegen. Es ist möglich die Bremse versehentlich zu aktivieren wenn der Akku mit dem Regler verbunden wird und der Gashebel auf Vollgas steht. Um die Bremse wieder auszuschalten gehen Sie mit dem Gashebel wieder auf Vollgas und verbinden den Akku. Vom Motor ertönt ein Piepton. Bewegen Sie den Gashebel auf Leerlauf oder Motor aus. Der Motor ist dann betriebsbereit und die Bremse ausgeschaltet.
4. Akkuauswahl und Einbau: Wir empfehlen einen Lipo Akku mit 14.8V 2200mAh-2600mAh 35c. Sollten Sie einen anderen Akku verwenden muß dieser mindestens die gleichen Spezifikationen in Leistung und Abmessung aufweisen. damit der Schwerpunkt nicht wesentlich geändert wird.

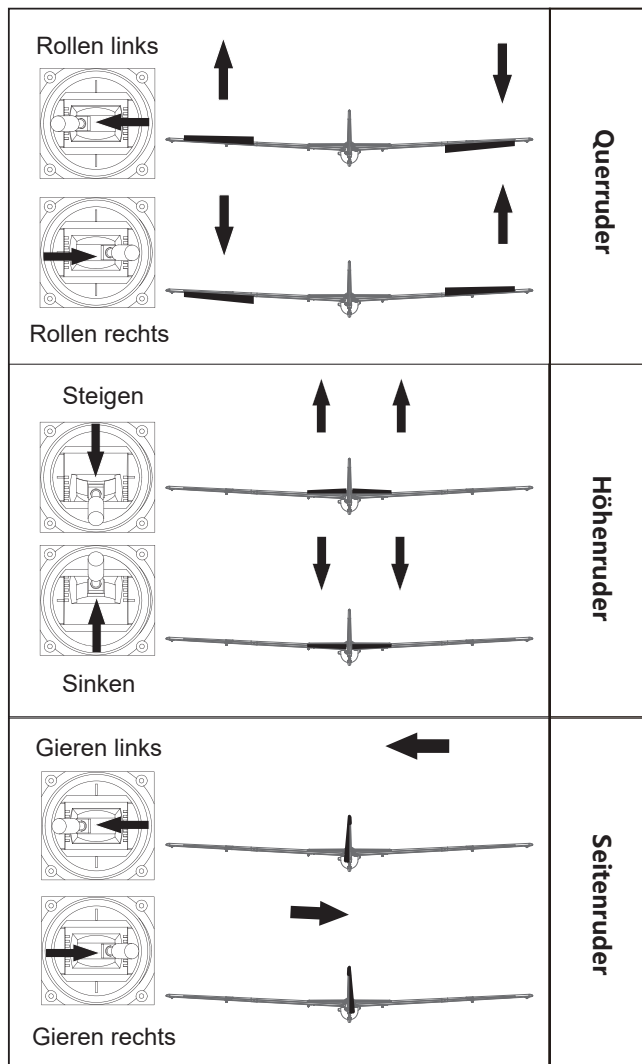
Testen der Steuerfunktionen

Bevor Sie mit diesem Schritt beginnen, binden Sie bitte der Anleitung ihres Senders entsprechend den Empfänger mit dem Sender.

ACHTUNG: Um mögliche Verletzungen zu vermeiden darf der Propeller bei dem Testen der Ruder NICHT auf der Welle montiert sein. Armieren Sie den Regler NICHT und schalten auch nicht den Sender ein bevor es in der Anleitung des Senders vorgeben wird.

TIPP: Stellen Sie sicher, dass alle Steuerhebel auf dem Sender auf der neutralen Position sind und der Gashebel auf Motor aus. Stellen Sie sicher, dass beide Querruder den gleichen Weg im Verhältnis zum Steuerknüppelausschlag ausschlagen.

Bewegen Sie die Steuerhebel des Sender um sicher zu stellen, dass sich die Ruder korrekt bewegen. Sehen Sie dazu die Abbildungen unten. Sollten die Ruder in die falsche Richtung arbeiten reversieren Sie die Funktion. Lesen Sie dazu bitte in der Anleitung des Senders nach.



Ruderausschläge

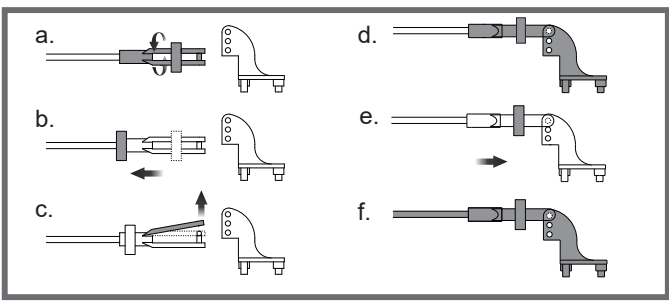
Die empfohlenen Ruderausschlag-Einstellungen sind (Dual Rate):

Tipp: Fliegen Sie das Modell beim ersten Flug mit "normalen Ausschlägen". Wenn Sie zum ersten Mal "maximale Ausschläge" verwenden, sollten Sie bei niedrigen bis mittleren Geschwindigkeiten fliegen.

	Maximale Ausschläge	Normale Ausschläge
Höhenruder	14 mm oben / unten	10 mm oben / unten
Querruder	16 mm oben / unten	12 mm oben / unten
Seitenruder	16 mm links / rechts	12 mm links / rechts

Montage der Gabelköpfe

1. Ziehen Sie den Ring vom Gabelkopf zum Gestänge.
2. Spreizen Sie den Gabelkopf vorsichtig und führen Sie den Gabelkopfstift in das gewünschte Loch im Ruderhorn ein.
3. Befestigen Sie den Ring um den Gabelkopf am Ruderhorn zu halten.



Ruderhorn- und Servoarm-Einstellungen

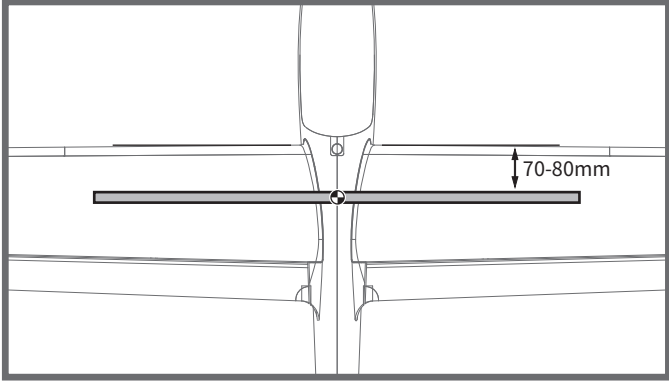
Die Tabelle zeigt die Werkseinstellungen für die Ruderhörner und Servoarme. Fliegen Sie das Flugzeug mit den Werkseinstellungen, bevor Sie Änderungen vornehmen. Nach dem Flug können Sie die Einstellungen nach Ihren Wünschen anpassen.

	Ruderhorn	Servoarm	Mehr Ruderausschlag
Höhenruder			
Seitenruder			
Quer- ruder			
			Weniger Ruderausschlag

Einstellen des Schwerpunkts

Setzen Sie zum Ausbalancieren des Schwerpunktes den Antriebsakku ein. Richten Sie den Akku so aus, dass das Modell gerade oder mit der Nase leicht nach unten zeigt. Nach den ersten Flügen können Sie dann den Schwerpunkt nach ihren persönliche Vorlieben einrichten.

1. Der empfohlene Schwerpunkt für das Modell befindet sich mit eingesetztem Akku 70-80mm von der Tragflächenvorderkante nach hinten gemessen. Markieren Sie den Schwerpunkt auf der Tragflächenoberseite.
2. Balancieren Sie das Modell auf einer Schwerpunktwaage aus. Bitte beachten Sie dass das Modell dabei flugfertig ausgerüstet sein muss.



Vor dem Erstflug

Finden Sie einen geeigneten Flugplatz

Finden Sie einen Flugplatz frei von Gebäuden, Bäumen, Stromleitungen und anderen Hindernissen. Bis Sie wissen, wie viel Fläche Sie zum fliegen brauchen, wählen Sie einen Platz der mindestens die Größe von 2 bis 3 Fussballfeldern hat. Wählen Sie am besten einen RC Flugplatz eines Modellflugvereins. Fliegen Sie dabei niemals in der Nähe von Menschen - besonders von Kindern, die unvorhersehbar handeln könnten.

Führen Sie einen Reichweitentest für Ihr Modell durch

Als Vorsichtsmaßnahme sollte vor jedem Flug ein Reichweitentest durchgeführt werden, um Probleme zu erkennen, die zu einem Verlust der Kontrolle führen könnten (z.B. schwache Batterien, defekte oder beschädigte Fernsteuerungskomponenten, Funkstörungen). Dies erfordert einen Kollegen oder Assistenten.

Schalten Sie zuerst den Sender ein und schließen Sie einen vollgeladenen Akku im Modell an. Achten Sie darauf dass sich der Gasknüppel in Neutralstellung befindet. Andernfalls könnten Propeller oder Lüfter Schäden oder Verletzungen verursachen.

Hinweis: Lesen Sie zum Reichweitentest auch die Bedienungsanleitung Ihrer Fernsteuerung.

Überwachen Sie Ihre Flugzeit

Überwachen oder Begrenzen Sie Ihre Flugzeit mit einem Timer (z.B. auf einer Armbanduhr, einem Smartphone oder auf Ihrem Sender, falls verfügbar).

Wenn der Akku während des Fluges fast leer ist bemerken Sie normalerweise einen Leistungsabfall, bevor der Regler die Motorleistung unterbricht. Wenn das Modell langsamer wird sollten Sie also landen.

Stellen Sie Ihren Timer auf 4 Minuten ein um einen unerwartete Leistungsabfall zu vermeiden. Wenn der Alarm des Timers ertönt sollten Sie landen.

Fluggrundlagen

Starten

Beschleunigen Sie das Modell vorsichtig und steuern Sie es langsam um es gerade zu halten. Erhöhen Sie die Beschleunigung und halten Sie eine gleichmäßige Geschwindigkeit um das Modell in einem schönen Anstellwinkel in die Luft steigen zu lassen.

Fliegen

Wählen Sie immer einen weiten und offenen Platz um das Modell zu fliegen. Besuchen Sie einen RC Flugplatz eines Modellflugvereins. Fliegen Sie auf keinen Fall an Orten, an denen der Betrieb eines ferngesteuerten Flugzeugs nicht zulässig ist (Flughäfen, Naturschutzgebiete, Siedlungen, ...). Nach dem Start bringen Sie Ihr Modell auf eine sichere Flughöhe, bevor Sie Flugmanöver wie Rollen, Loopings oder ähnliches ausprobieren.

Landen

Landen Sie das Modell, sobald Sie eine Leistungsreduzierung bemerken oder Ihr eingestellter Timer ertönt. Stellen Sie Ihren Timer so ein, dass Ihnen genug Flugzeit bleibt, um mehrere Landeanflüge zu haben. Ist das Modell mit einem Fahrwerk ausgestattet können Sie auf harten Pisten landen. Richten Sie das Modell direkt gegen den Wind aus und setzen Sie mit 1/4 bis 1/3 Gas zur Landung an. Bevor das Modell aufsetzt sollte der Gasknüppel in der 0-Stellung stehen um Schäden am Propeller oder anderen Komponenten zu vermeiden.

Instandhaltung

Reparaturen am Schaummodell sollten mit schaumsicheren Klebstoffen wie Heißkleber, Sekundenkleber speziell für Schaumstoff oder 5.min Epoxy erfolgen.

Wenn Teile nicht reparierbar sind finden Sie am Ende dieser Anleitung die Ersatzteilliste mit allen Bestellnummern.

Überprüfen Sie vor und nach jedem Flug ob alle Schrauben am Modell festgezogen sind. Achten Sie insbesondere darauf, dass Spinner und Luftschraube vor jedem Flug fest sitzen und frei drehen.

Problemlösungen

Problem	Mögliche Ursache	Lösung
Modell nimmt kein Gas an, andere Steuerungsbefehle funktionieren aber	-Regler reagiert nicht -Gaskanal ist umgekehrt	-Gasknüppel ist nicht ganz unten oder Trimmung zu hoch -Gaskanal am Sender umkehren
Ungewöhnliche Propellergeräusche oder Vibrationen	-Spinner, Propeller, Motor oder Motorhalterung defekt -Spinner oder Propeller lose -Propeller falsch herum montiert	-Defekte Teile austauschen -Lose Teile befestigen -Propeller richtig montieren
Zu kurze Flugdauer oder Antrieb ist nicht kraftvoll genug	- Flugakku ist zu leer - Propeller falsch herum montiert - Flugakku defekt	- Vollständiges Aufladen des Flugakkus - Flugakku ersetzen
Ruder bewegen sich nicht oder reagieren nur langsam auf Steuerbefehle	- Ruder, Ruderhörner, Anlenkung oder Servo beschädigt - Kabel beschädigt oder Servostecker lose	- Austauschen oder Reparieren der defekten Teile - Kabel und Stecker überprüfen
Ruder schlagen in die falsche Richtung aus	Kanäle auf dem Sender sind umgekehrt	Testen der Servowegeinstellungen und Konfiguration der Kanäle am Sender
- Motor verliert Leistung	- Motor oder Akku defekt - Stromzufuhr unterbrochen	- Akku, Empfänger, Regler, Motor und Verkabelung überprüfen (austauschen bei Defekt) - Modell unverzüglich landen und überprüfen
LED am Empfänger blinkt langsam	Empfänger hat keinen Strom	- Überprüfen der Verbindung zwischen Regler und Empfänger. - Servos auf Defekt überprüfen. - Überprüfen ob der Empfänger korrekt mit dem Sender gebunden ist

Ersatzteilliste

FMSEB101	Rumpf	PRKV750E	3541-KV750 Motor
FMSEB102	Flächen-Set	PRESC034	40A Regler (mit Bremsfunktion)
FMSEB103	Höhenleitwerk	FMS17GDP	17g Digital Servo
FMSEB104	Seitenruder	FMS9MGDP	9g Digital Servo MG
FMSEB105	Spinner Set	FMSCON0013	Mult-Connector Set
FMSEB106	Cockpit		
FMSEB107	Räder-Set		
FMSEB108	Lufteinlass		
FMSEB109	Dekorbogen		
FMSEB110	Flächenverbinder Set		
FMSEB111	Anlenkungsgestänge		
FMSPROP059	2-Blatt Propeller 13.5x6"		
FMSBM042	Motorboard		
FMSDJ015	Motorhalterung		
FMSDZ022	Motorwelle		

**Visitez notre site internet pour voir les photos de ces produits : www.fmsmodel.com
Saisissez le mot "ESC" dans la case de recherche pour obtenir le manuel d'utilisation du contrôleur.**

Anleitung des Brushless Reglers

Vielen Dank für den Kauf unseres Brushless Reglers (ESC). Hochleistungssysteme für RC-Modelle sind sehr gefährlich, lesen Sie bitte diese Anleitung sorgfältig durch. Insofern haben wir keine Kontrolle über die korrekte Verwendung, Installation, Anwendung oder Wartung unserer Produkte. Für Schäden, Verluste oder Kosten, die durch die Verwendung des Produkts entstehen, wird keine Haftung übernommen. Das Auftreten von Betriebsstörungen, Ausfällen, Fehlfunktionen usw. wird abgelehnt. Wir übernehmen keine Haftung für Personen- und Sachschäden. Schäden oder Folgeschäden, die auf unser Produkt oder unsere Verarbeitung zurückzuführen sind, werden soweit gesetzlich zulässig von uns übernommen. Der Schadensersatz ist auf den Rechnungsbetrag des betroffenen Produktes begrenzt.

Technische Daten

Model	Cont Current	Burst Current (≤10)	BEC Mode	BEC Output	BEC Output Capability				Battery Cell		Weight	Weight
					2S Lipo	3S Lipo	4S Lipo	6S Lipo	Lipo	NiMH		L*W*H (mm)
6A	6A	8A	Linear	5V/0.8A	3servos				2S	5-6 cells	5.5	32*12*4.5
12A	12A	15A	Linear	5V/1A	3servos	2servos			2-3S	5-9 cells	9g	38*18*6
12AE	12A	15A	Linear	5V/2A	5servos	4servos			2-3S	5-9 cells	10g	38*18*7
15A	15A	20A	Linear	5V/2A	5servos	4servos			2-3S	5-9 cells	16.5g	48*22.5*6
20A	20A	25A	Linear	5V/2A	5servos	4servos			2-3S	5-9 cells	19g	42*25*8
30A	30A	40A	Linear	5V/2A	5servos	4servos			2-3S	5-9 cells	37g	68*25*8
40A	40A	55A	Linear	5V/3A	5servos	4servos			2-3S	5-9 cells	39g	68*25*8
40A-UBEC	40A	55A	Switch	5V/3A	5servos	5servos	5servos		2-4S	5-12 cells	43g	65*25*12
50A-UBEC	50A	65A	Switch	5V/5A	8servos	8servos	6servos	6servos	2-4S	5-12 cells	41g	65*29*10
60A-UBEC	60A	80A	Switch	5V/5A	8servos	8servos	6servos	6servos	2-6S	5-18 cells	63g	77*35*14
60A-UBEC	60A	80A	N/A	N/A					2-6S	5-18 cells	60g	86*38*12
80A-UBEC	80A	100A	Switch	5V/5A	8servos	8servos	6servos	6servos	2-6S	5-18 cells	82g	86*38*12
80A-UBEC	80A	100A	N/A	N/A					2-6S	5-18 cells	79g	86*38*12

Programmierbare Elemente (Die in Fettdruck geschriebene Option ist die Standardeinstellung)

1. Bremseneinstellung: Aktiviert / **Deaktiviert**
2. Batterietyp: **Lipo** / NiMH
3. Abschaltmodus: **Weiche Abschaltung** / **Soft-Cut (Verringern Sie allmählich die Ausgangsleistung)** / Abschaltung / Cut-Off (Stoppen Sie sofort die Ausgangsleistung).
4. Abschaltspannung: Niedrig / **Mittel** / Hoch
 - 1) Bei Lithiumbatterien wird die Zellenzahl automatisch berechnet. Die niedrige / mittlere / hohe Abschaltspannung für jede Zelle beträgt: 2,85 V / 3,15 V / 3,3 V. Beispiel: Bei einem 3S Lipo beträgt die Abschaltspannung bei Einstellung der Abschaltswelle "Mittel": $3,15 * 3 = 9,45$ V.
 - 2) Bei NiMH-Batterien betragen niedrige / mittlere / hohe Abschaltspannungen 0% / 50% / 65% der Startspannung (d. H. Der Anfangsspannung vom Akku) 0% bedeutet, dass die Niederspannungsabschaltung deaktiviert ist. Zum Beispiel: Für einen vollen geladenen 6-Zellen-NiMH-Akku, beträgt die Spannung $1,44 * 6 = 8,64$ V, wenn die Abschaltswelle "Mittel" eingestellt ist, beträgt die Abschaltspannung: $8,64 * 50\% = 4,32$ V.
5. Startmodus: **Normal** / Weich / Super-Weich (300 ms / 1,5 s / 3 s)
 - a) Der Normalmodus ist für Flächenmodelle geeignet. Soft- oder Super-Soft-Modi eignen sich für Hubschrauber. Die anfängliche Beschleunigung von dem Soft- und Super-Soft-Modus sind langsamer. Der Soft-Start dauert 1,5 Sekunden, der Super-Soft-Start 3 Sekunden ausgehend von der Gasknüppelstellung Motor AUS bis Vollgas. Wenn die Drosselklappe vollständig geschlossen ist (Gashebel unten) und wieder geöffnet wird (Gasknüppel nach oben bewegt) Innerhalb von 3 Sekunden nach dem ersten Start wird der Neustart vorübergehend auf Normal Modus geändert, um die Gefahr eines Absturzes durch langsame Gasannahme auszuschließen. Diese spezielle Einstellung ist für Kunstflug geeignet wenn eine schnelle Gasannahme erforderlich ist.
6. Motor Timing: **Niedrig** / Mittel / Hoch (3,75 ° / 15 ° / 26,25 °) Normalerweise eignet sich für die meisten Motoren eine niedriges Timing. Um eine höhere Geschwindigkeit zu erzielen, kann ein hoher Timing-Wert gewählt werden.

Anleitung des Brushless Reglers

Beginnen Sie mit der Verwendung Ihres neuen Brushless Reglers

WICHTIG! Da verschiedene Sender unterschiedliche Gasbereiche haben, kalibrieren Sie bitte den Gasbereich, bevor Sie fliegen.

Gasbereichseinstellung (Der Gasbereich sollte zurückgesetzt werden, wenn ein neuer Sender verwendet wird.)

1. Sender einschalten und den Gashebel in die obere Position (Motor Vollgas) bringen.
2. Den Akku mit dem Brushless Regler verbinden und 2 Sekunden warten.
3. Der "Beep-Beep-" Ton ertönt, sobald die Vollgas Position erkannt wurde.
4. Bewegen Sie den Gasknüppel in die untere Position (Motor aus), "Beep-" Töne ertönen entsprechend der Anzahl der Akkuzellen (Einzelzellen).
5. Ein langer "Beep-" Ton ertönt, sobald die Motor-Aus Position erkannt wurde.

Normaler Startvorgang

1. Sender einschalten und den Gashebel in die untere Position (Motor aus) stellen.
2. Den Akku mit dem Brushless Regler verbinden, ein Spezialton "♪ 123" ertönt um die Betriebsbereitschaft zu bestätigen.
3. "Beep-" Töne ertönen entsprechend der Anzahl der Akkuzellen (Einzelzellen).
4. Sobald der Selbsttest abgeschlossen ist, ertönt ein langer "Beep---" Ton.
5. Den Gasknüppel aufwärtsbewegen um den Motor zu starten.

Schutzfunktion

1. Start up failure protection: If the motor fails to start within 2 seconds of throttle application, the ESC will cut-off the output power. In this case, the throttle stick MUST be moved to the bottom again to restart the motor. (Such a situation happens in the following cases: The connection between ESC and motor is not reliable, the propeller or the motor is blocked, the gearbox is damaged, etc.)
2. Überhitzungsschutz: Wenn die Temperatur des Reglers über 110 Grad Celsius liegt, verringert der Regler die Ausgangsleistung.
3. Schutz vor Signalverlust: Der Regler verringert die Ausgangsleistung, wenn das Gassignal für 1 Sekunde lang unterbrochen ist. Der Motor wird vollständig abgeschaltet wenn das Gassignal für 2 Sekunde lang unterbrochen ist.

Fehlerbehebung

Fehler	Mögliche Ursache	Maßnahme
Nach dem Einschalten funktioniert der Motor nicht, kein Ton wird ausgegeben	Die Verbindung zwischen Batterie Pack und ESC ist nicht korrekt	Überprüfen Sie den Stromanschluss Ersetzen Sie den Stecker
Nach dem Einschalten funktioniert der Motor nicht. Ein solcher Alarmton ertönt: "Beep-Beep-, Beep-Beep-, Beep-Beep-" (Jeder Piepton hat ein Zeitintervall von etwa 1 Sekunde)	Eingangsspannung ist abnormal, zu hoch oder zu niedrig	Überprüfen Sie die Spannung des Akkus
Nach dem Einschalten funktioniert der Motor nicht. Ein solcher Alarmton ertönt: "Beep-, Beep-, Beep-" (Jeder "Beep-" hat ein Zeitintervall von ca. 2 Sekunden)	Das Gassignal ist unregelmäßig	Überprüfen Sie den Empfänger und den Sender. Überprüfen Sie das Kabel des Gaskanals.
Nach dem Einschalten funktioniert der Motor nicht. Ein solcher Alarmton ertönt: "Beep-, Beep-, Beep-" (Jeder "Beep-" hat ein Zeitintervall von ungefähr 0,25 Sekunden)	Der Gasknüppel ist nicht in der untere (niedrigste) Position (Motor aus)	Bewegen Sie den Gashebel in die untere Position
Nach dem Einschalten funktioniert der Motor nicht Spezialton "♪56712" ertönt nach 2 Signaltönen (Beep-Beep-)	Richtung des Drosselkanals ist umgekehrt, so wird der Programm-Modus erreicht	Stellen Sie die Richtung des Gaskanals richtig ein
Der Motor läuft in die entgegengesetzte Richtung.	Die Verbindung zwischen dem Brushless Regler und dem Motor muss gewechselt werden.	Vertauschen Sie zwei der drei Anschlusskabel zwischen dem Brushless Regler und dem Motor

Programmieren Sie den Regler mit Ihrem Sender (4 Schritte)

Hinweis: Stellen Sie sicher, dass der Gasweg auf 0 eingestellt ist, wenn der Gasknüppel sich in der unteren Position befindet und 100% wenn der Gasknüppel sich in der oberen Position ist.

NO.1 Rufen Sie den Programmiermodus auf

1. Sender einschalten, Gashebel nach oben bewegen Position, verbinden Sie den Akku mit Brushless Regler.
2. Warten Sie 2 Sekunden, es sollte nun einen spezieller Ton wie "Beep-Beep-" ertönen.
3. Warten Sie weitere 5 Sekunden, nun ertönt ein Spezialton "♫56712", nun wird der Programmiermodus aufgerufen.

NO.2 Programmierbare Einstellung auswählen

Nach dem Aufrufen des Programmiermodus hören Sie 8 Töne in einer Schleife in folgender Reihenfolge. Wenn Sie den Gasknüppel bei der gewünschten Funktion innerhalb von 3 Sekunden nach unten bewegen, wird diese ausgewählt.

Schneller Ton	Ausgewählter Eintrag
"Beep" (1 kurzer Ton)	Bremse
"Beep-Beep-"(2 kurze Töne)	Batterietyp
"beep-beep-beep-"(3 short tone)	Abschaltmodus
"Beep-Beep-Beep-Beep-"(4 kurze Töne)	Abschaltspannung
"Beep -----" (1 langer Ton)	Startmodus
"Beep ----- Beep-"(1 langer 1 kurzer)	Timing
"Beep ----- Beep-Beep-"(1 langer 2 kurze)	alle auf Standardeinstellung (Werkseinstellung) setzen
"Beep ----- Beep -----"(2 lange Töne)	beenden

Hinweis: 1 langer Beep ----- = 5 kurze Beep-

NO.3 Stellen Sie den Wert der ausgewählten Einstellung ein (programmierbarer Wert)

Sie hören mehrere Töne in einer Schleife. Stellen Sie den passenden Wert für einen Ton ein, indem Sie den Gashebel in die obere Position (Motor Vollgas) bewegen wenn Sie den Ton hören. Dann ertönt ein Spezialton "♫1515". Dies bedeutet, dass der Wert eingestellt und gespeichert ist. (Wenn Sie den Gasknüppel oben lassen, kehren Sie zu Schritt 2 zurück und können weitere Einstellungen auswählen.

Wenn Sie den Stick innerhalb von 2 Sekunden nach unten bewegen, wird der Programmiermodus direkt beendet.

Töne	"Beep-" 1 kurzer Ton	"Beep-Beep-" 2 kurze Töne	"Beep-Beep-Beep" 3 kurze Töne
Einstellungen			
Bremse	aus	ein	
Batterietyp	Lipo	NiMH	
Abschaltmodus	weiche Abschaltung (Soft-Cut)	Abschaltung (Cut-Off)	
Abschaltspannung	Niedrig	Mittel	Hoch
Startmodus	Normal	Weich	Super-Weich
Timing	Niedrig	Mittel	Hoch

NO.4 Verlassen Sie den Programmiermodus

Es gibt zwei Möglichkeiten, um den Programmiermodus zu beenden:

1. In Schritt 3, nach dem Spezialton "1515", den Gasknüppel innerhalb von 2 Sekunden auf 0 setzen (Motor aus).
2. In Schritt 2, nach dem Ton "Beep ----- Beep-----" (Einstellung Nr.8), den Gasknüppel innerhalb von 3 Sekunden auf 0 setzen (Motor aus).

ATTENTION

ATTENTION : Lisez intégralement ce manuel d'utilisation pour vous familiariser avec les caractéristiques de ce produit avant de l'utiliser. Ne pas utiliser correctement ce produit peut entraîner des dommages au produit, aux biens matériels et causer des blessures graves.

Il s'agit d'un produit de loisir technique, sophistiqué, et non d'un jouet. Il doit être utilisé avec précaution et bon sens, et requiert quelques connaissances de base en mécanique. Ne pas utiliser ce produit en sécurité et de manière responsable peut entraîner des blessures ou des dégâts au produit et envers des tiers. Ce produit n'est pas prévu pour une utilisation par des enfants sans la surveillance directe par un adulte.

Ce manuel contient des instructions concernant la sécurité, l'utilisation et l'entretien. Il est essentiel de lire et de suivre toutes les instructions et de respecter les avertissements de ce manuel avant de monter, de régler ou d'utiliser le produit, de façon à l'exploiter correctement et éviter les dégâts ou blessures graves.

Consignes de sécurité et avertissements

En tant qu'utilisateur de ce produit, vous êtes seul responsable de son utilisation, de manière à ne pas vous mettre en danger, et à ne pas mettre les autres en danger, et à ne pas endommager ce produit ou causer de dégâts à des tiers. Ce modèle est piloté par un signal radio qui peut être soumis à des interférences provenant de sources variées que vous ne contrôlez pas. Ces interférences peuvent causer une perte momentanée de contrôle, aussi est-il prudent de toujours garder une distance de sécurité dans toutes les directions, autour de votre modèle, cette marge vous aidant à éviter les collisions ou les blessures.

Âge recommandé : Ce produit ne doit pas être utilisé par des enfants de moins de 14 ans. Ce n'est pas un jouet.

- N'utilisez jamais votre modèle avec des piles faibles dans l'émetteur.
- Utilisez toujours votre modèle dans un espace vaste, sans véhicules, sans circulation et sans personnes.
- N'utilisez pas le modèle dans les rues, où vous pourriez occasionner des blessures ou des dégâts.
- N'utilisez jamais le modèle pour quelque raison que ce soit dans la rue ou dans des zones peuplées.
- Suivez soigneusement les instructions et les conseils de ce manuel et ceux des équipements optionnels (chargeurs, accus rechargeables, etc.).
- Tenez tous les produits chimiques, les petites pièces et tout composant électrique hors de portée des enfants.
- L'humidité peut causer des dégâts à l'électronique. Évitez d'exposer à l'eau les équipements non conçus spécialement à cet effet et spécialement protégés.
- Ne léchez pas, et ne placez aucune partie du modèle dans votre bouche, car cela peut entraîner des blessures graves et même la mort.

Avertissement concernant les accus Lithium Polymère (LiPo)

Attention : Suivez toujours les instructions du fabricant pour utiliser les accus et vous en débarrasser. Un mauvais usage d'accus LiPo peut entraîner un incendie, des dégâts matériels ou des blessures graves.

En manipulant, chargeant ou utilisant des accus LiPo, vous assumez tous les risques associés aux accus au Lithium.

- Si à n'importe quel moment, l'accu commence à gonfler, arrêtez immédiatement de l'utiliser !
- Charger ou décharger un accu gonflé peut entraîner un incendie.
- Stockez toujours les accus à température ambiante dans un espace sec pour augmenter la durée de vie de l'accu. Transportez ou stockez toujours les accus dans une plage de températures de 5 à 48 °C. Ne stockez pas les accus ou le modèle dans une voiture ou directement à la chaleur du soleil. Un accu stocké dans une voiture chaude peut être endommagé et éventuellement prendre feu.
- N'utilisez jamais un chargeur pour accus NiMh. Ne pas charger avec un chargeur compatible LiPo peut entraîner un incendie, entraînant des blessures et des dégâts matériels.
- Ne déchargez jamais les éléments LiPo à moins de 3 V par élément.
- Ne laissez jamais une charge se faire sans surveillance.
- Ne chargez jamais un accu endommagé.
- Vous devez charger les accus LiPo uniquement avec un chargeur spécial LiPo. Lisez bien les instructions de votre chargeur avant usage. Quand vous chargez l'accu, vérifiez que l'accu est sur une surface ininflammable. Il est également conseillé de placer les accus LiPo dans un sac résistant au feu que vous trouverez facilement dans les magasins de modélisme ou sur les boutiques en ligne.

Introduction

FMS est fier de présenter le tout nouvel ASW-17 de 2 500 mm d'envergure !

Fidèle à l'esprit FMS, aucun détail n'a été négligé lors de la conception de l'ASW-17. Les ingénieurs de FMS ont réalisé quatre coûteux ajustements des outillages, simplement pour des micro-modifications du profil, afin d'obtenir un rendement parfait.

L'aile, l'empennage vertical et le stabilisateur horizontal sont conçus avec une structure qui s'assemble par encliquetage. D'un simple enfichage, aile et empennages se fixent au fuselage avec une précision parfaite, sans vis ni colle ! Vous assemblez le planeur en à peine 3 minutes !

Comme le Fox de 3 000 mm d'envergure, l'ASW-17 est doté d'un longeron en fibre de carbone pré-installé qui assure la rigidité de l'aile dans les figures à fort facteur de charge.

Pour obtenir le même dièdre que le planeur réel, l'ASW-17 a été conçu avec une clé d'aile spéciale usinée en aluminium sur machine à commande numérique. Ceci permet de préserver la géométrie des ailes dans les programmes de voltige exigeants.

Au niveau performances, un contrôleur brushless Hobbywing 40 A couplé à un moteur Predator 3541-750KV fournit une forte puissance, alimenté par un pack LiPo 4S, afin de réaliser la plupart des figures acrobatiques.

Si le rendement, la stabilité et les possibilités acrobatiques sont ce que vous recherchez dans un planeur, ne cherchez pas plus loin que l'ASW-17 FMS de 2 500 mm !

Spécificités

- Moteur Predator 3541 et contrôleur 40 A
- Montage par enfichage, pas besoin de colle
- Aile en deux parties
- Volets fonctionnels
- Hélice repliable à haut rendement
- Cellule moulée en mousse EPO durable

Table des matières

Introduction	27
Contenu du kit	27
Assemblage du modèle	28
Mise en place de l'accu	30
Diagramme de connexion	30
Préparation du modèle au vol	30
Montage des chapes	32
Réglage des guignols et des palonniers de servos	32
Centrage (C.G.)	32
Avant de faire voler le modèle	33
Pilotage du modèle	33
Dépannage	34
Liste de pièces de rechange	34
Manuel du contrôleur brushless	35

Contenu du kit

Avant le montage, merci de contrôler le contenu du kit. Le schéma ci-dessous détaille le contenu du kit et la numérotation. Si quelque élément est manquant ou défectueux, identifiez le nom ou le numéro de la pièce (reportez-vous à la liste des pièces de rechange page 16 de ce manuel), puis contactez votre magasin local ou contactez-nous : support@fmsmodel.com

Caractéristiques

Envergure : 2500 mm (98.4")

Longueur hors tout : 1390 mm (54.7")

Poids en ordre de vol : ~ 2350g

Format du moteur : Brushless 3541-Kv750

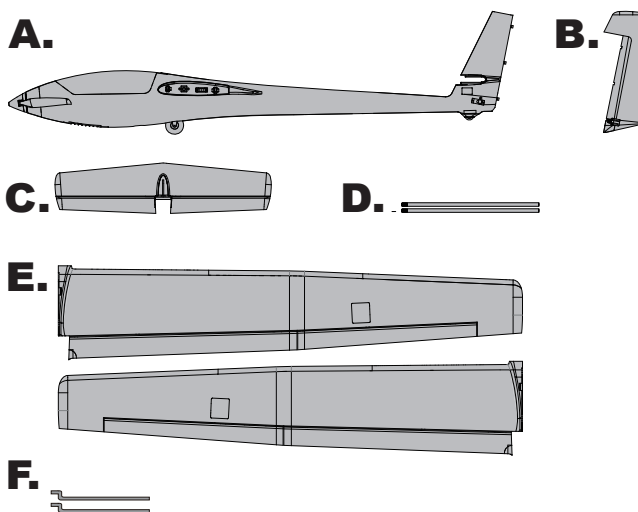
Charge alaire : 45,7 g/dm² (0.09oz/sq.in)

Surface alaire : 50,3 dm² (779.5 sq.in)

Contrôleur brushless : 40A

Servos : 4*servos 17g , 2*servos 9g

Batterie recommandée: LiPo 4S 14,8V
2200 à 2600mAh 35C



A:Fuselage

C:Horizontal stabilizer

E:Wing halves

B:Rudder

D:Wing spar joiner

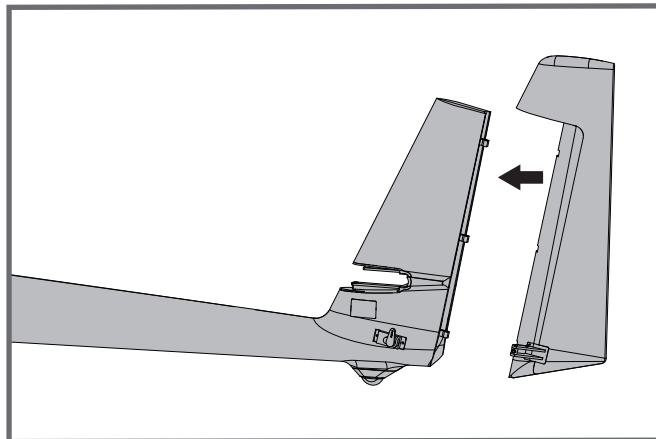
F:Pushrods

Assemblage du modèle

Montage des empennages

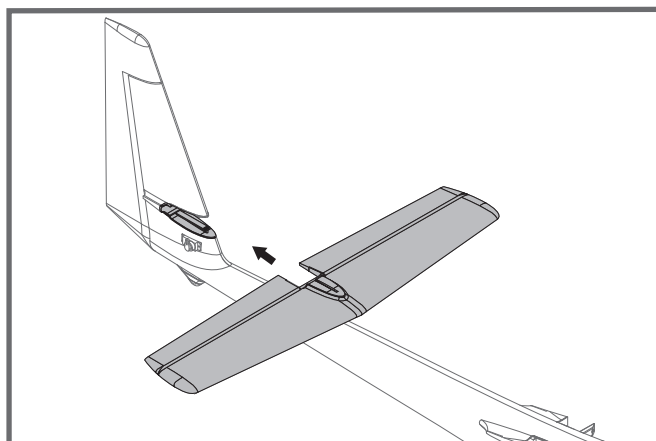
1. La gouverne de direction s'enclenche sur la dérive avec un "clic" audible.

NOTE : Tirez doucement sur la gouverne pour vous assurer qu'elle est montée correctement.



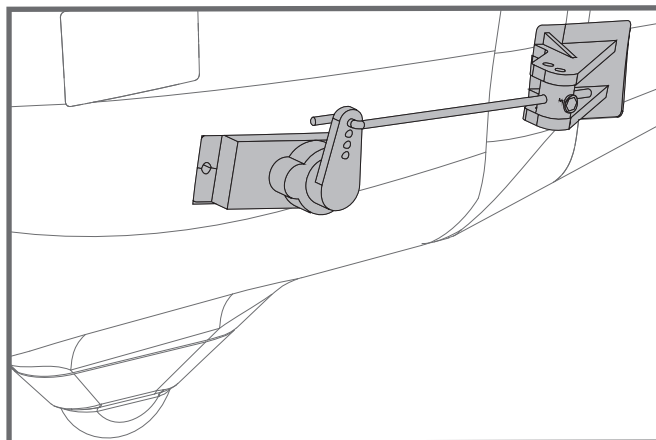
2. Glissez le stabilisateur horizontal dans la fente de la dérive.

NOTE : Tirez doucement sur le stabilisateur horizontal pour vous assurer qu'il est bien en place.



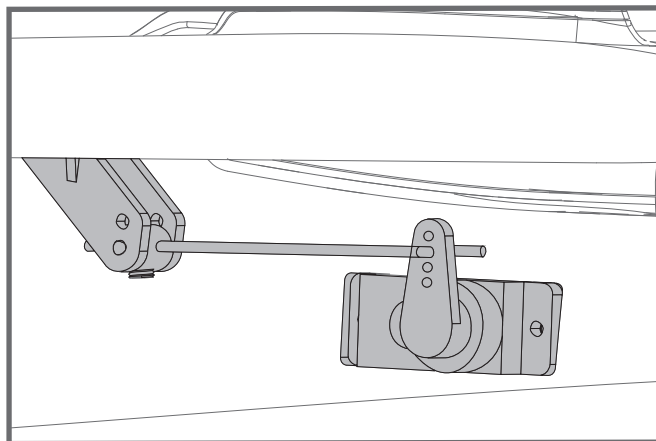
Montage des tiges de commande

1. En vérifiant que le servo de direction est bien au neutre, branchez la commande sur le guignol de direction et fixez-la avec une clé allen.



Assemblage du modèle (Suite)

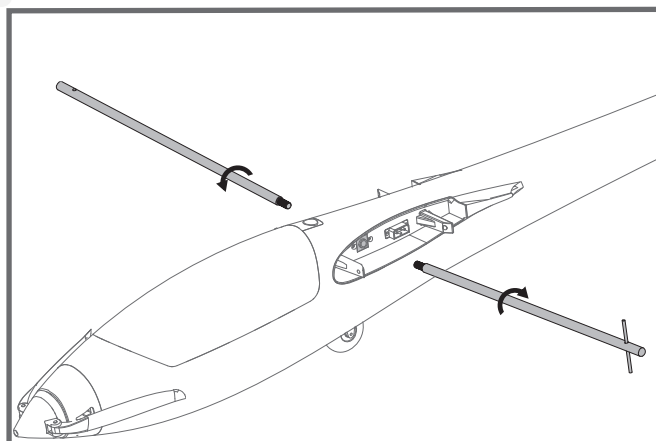
2. En vérifiant que le servo de profondeur est au neutre, branchez la commande de profondeur sur le guignol de profondeur et fixez-la avec une clé allen.



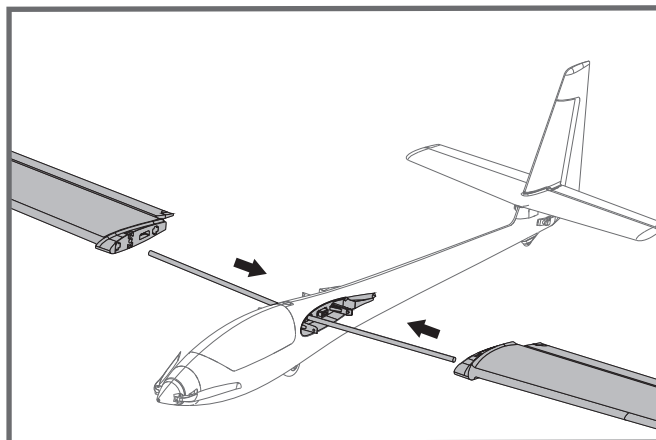
Montage des ailes

1. Vissez l'extrémité fileté de chaque clé d'aile dans le fuselage dans le sens indiqué. Ensuite, utilisez la tige métallique fournie pour serrer.

NOTE : Vérifiez que les connecteurs ont été correctement fixés au fuselage.



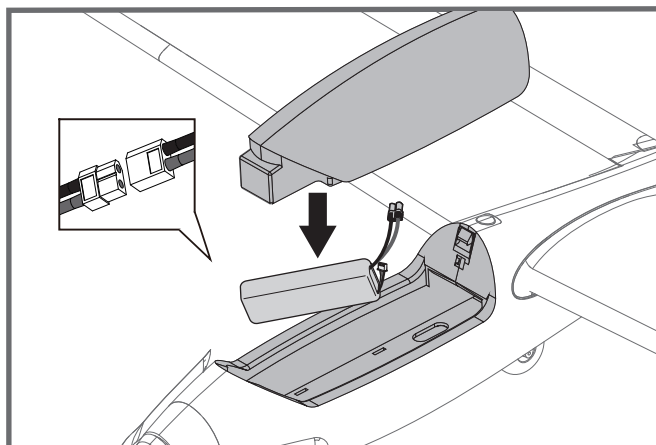
2. Glissez les deux demi-ailes sur les clés et dans le fuselage jusqu'à entendre un "clic".



Mise en place de la batterie

1. Enlevez la trappe d'accès à la batterie.
2. Tirez la face "douce" du velcro adhésif situé dans le fuselage. Collez cette face à votre pack d'accus.
3. Placez un pack d'accus dans le fuselage et attachez-le avec les sangles d'accu pré-installées

Note : Le centre de gravité peut être ajusté en déplaçant la batterie d'avant en arrière. Il est capital d'avoir un centrage correct afin d'obtenir de bonnes qualités de vol.



Connexion du récepteur

Les cordons venant de la platine de connexion des servos doivent être connectés à votre récepteur dans l'ordre indiqué. Rangez les fils dans la cavité vers l'arrière du logement de batterie.

Note: L'ordre des voies peut différer selon les marques de radio. Reportez-vous à la notice de votre ensemble radio. L'ordre indiqué est celui utilisé entre autres par Futaba.

		Récepteur
Ailerons	1	Voie 1 —Ailerons
Profondeur	2	Voie 2 —Profondeur
Gaz	3	Voie 3 —Gaz
Direction	4	Voie 4 —Direction
Train	5	Voie 5 —Train
Voie auxiliaire	6	Voie 6 —Aux

Préparation du modèle au vol

Informations importantes concernant le contrôleur brushless et le modèle

1. Le contrôleur brushless inclus dans votre modèle est équipé d'un démarrage sécurisé. Si l'accu de propulsion est branché au contrôleur alors que le manche de gaz n'est en position moteur coupé, le moteur ne démarrera pas tant que le manche n'aura pas été ramené en position moteur coupé. Une fois le manche de gaz en position moteur coupé, le moteur émet une série de "bips". Plusieurs "bips" avec la même tonalité indiquent que le contrôleur a détecté les éléments de l'accu. Le nombre de "bips" correspond au nombre d'éléments détectés. Le moteur est alors armé et démarrera dès que le manche de gaz sera bougé.
2. Le moteur et le contrôleur sont pré-connectés et le sens de rotation du moteur doit être correct. Si pour une quelconque raison, le moteur tourne dans le mauvais sens, inversez simplement deux des trois fils du moteur pour inverser le sens de rotation.
3. Le moteur peut être freiné en option. Le contrôleur est livré avec le frein désactivé et nous vous conseillons de voler sans frein. Toutefois, le frein peut se trouver activé si l'accu de propulsion est branché alors que le manche de gaz est sur "plein gaz". Pour désactiver le frein, mettez le manche de gaz sur "plein gaz" et branchez l'accu. Le moteur émet un "bip". Placez le manche de gaz en position "moteur coupé". Le moteur est prêt à tourner avec le frein désactivé.
4. Choix et installation de l'accu : Nous conseillons un accu LiPo 4S 14,8V 2200 à 2600 mAh 35C. Si vous utilisez un autre type d'accu, il doit être un 6S (14,8V), avec au moins 2200 à 2600 mAh de capacité et au moins 35C de capacité de décharge. Votre accu doit avoir à peu près la même capacité, les mêmes dimensions et le même poids que l'accu LiPo 4S 14,8V 2200 à 2600 mAh 35C afin de rentrer dans le fuselage sans modifier le centrage de manière significative.

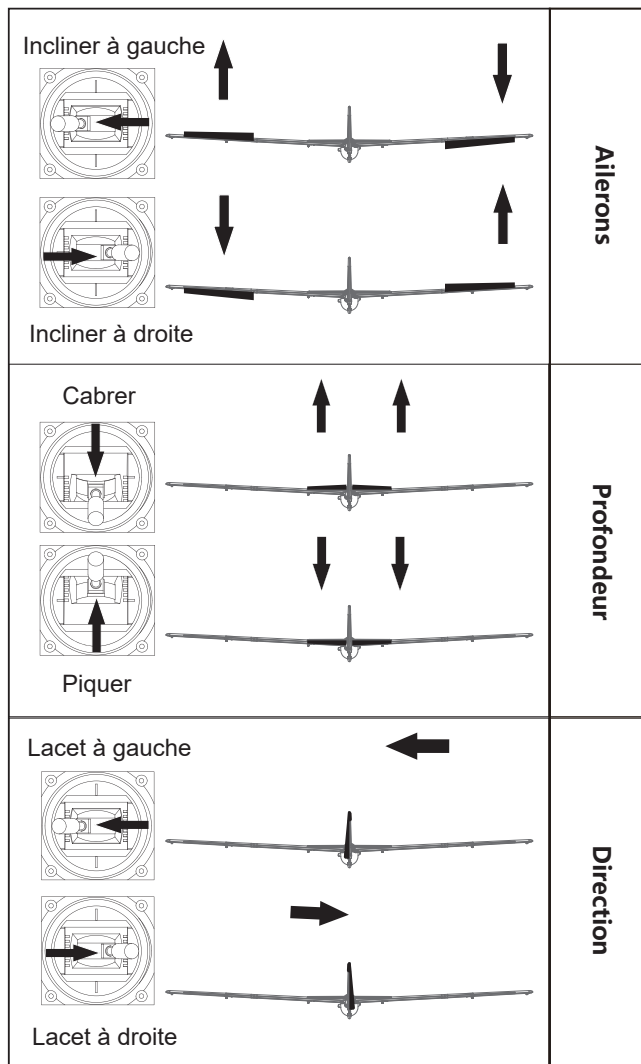
Réglages de l'émetteur et du modèle

Avant de commencer, apparez votre récepteur à votre émetteur. Merci de vous reporter à la notice de votre ensemble radio pour effectuer cette opération correctement.

ATTENTION : Pour éviter les blessures, **NE MONTEZ PAS** l'hélice sur l'axe du moteur pendant que vous contrôlez les gouvernes. N'armez pas le contrôleur et n'allumez pas l'émetteur tant que le manuel de l'émetteur ne vous le précise pas.

CONSEILS : Assurez-vous que les manches de l'émetteur sont au neutre (Direction, profondeur et ailerons) et que les gaz sont sur "moteur coupé". Assurez-vous que chaque aileron se lève et se baisse de la même valeur. Ce modèle se comporte bien quand les débattements des ailerons vers la gauche et vers la droite sont identiques.

Bougez les commandes de l'émetteur pour vous assurer que les gouvernes réagissent correctement. (Voir les schémas ci-contre).



Contrôle des débattements

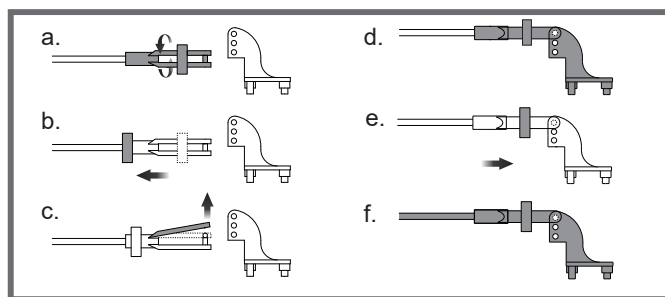
Les débattements conseillés pour votre ASW-17 FMS sont les suivants (Réglages de doubles débattements)

CONSEILS : Pour le premier vol, pilotez le modèle avec les petits débattements. La première fois que vous utiliserez les grands débattements, veillez à voler à vitesse moyenne, c'est uniquement pour des figures EXTRÊMES.

	Grands débattements	Petits débattements
Profondeur	14 mm haut/bas	10 mm haut/bas
Ailerons	16 mm haut/bas	12 mm haut/bas
Direction	16 mm gauche/droite	12 mm gauche/droite

Montage des chapes

- 1.A et B. Sortez le tube verrou de chape vers la commande.
- 2.C. Ouvrez la chape avec précaution, puis insérez le pion dans le trou désiré du guignol.
- 3.D, E et F. Glissez le tube verrou sur la chape.



Réglage des guignols et des palonniers de servos

Le tableau montre les réglages d'usine des guignols et des palonniers de servos. Faites voler le modèle avec les réglages d'usine avant de faire des modifications.

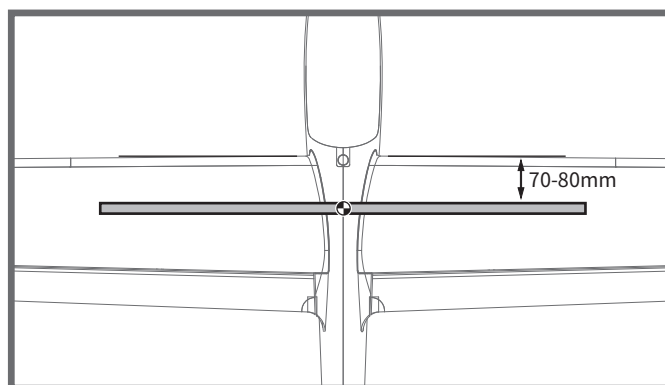
Après avoir volé, vous pouvez choisir de modifier les positions des commandes pour personnaliser la réponse des gouvernes. Reportez-vous au tableau ci-dessous.

	Guignols	Palonniers	Plus de débattement
Profondeur			
Direction			
Ailerons			

Centrage

Quand vous réglez le centrage de votre modèle, ajustez la position de l'accu selon les besoins pour que le modèle soit à plat ou légèrement nez bas. C'est le bon point d'équilibrage pour votre modèle. Après les premiers vols, le centrage peut être ajusté en fonction de vos préférences.

1. Le centre de gravité conseillé pour votre modèle est entre 70 et 80 mm en arrière du bord d'attaque de l'aile (comme montré) quand le pack d'accus est installé. Tracez la position du centre de gravité sur le dessous de l'aile.
2. Pour équilibrer votre modèle, portez-le au niveau des marques faites sous les ailes, soit sur vos doigts, soit à l'aide d'un équilibreur disponible dans le commerce. C'est le bon point d'équilibre pour votre modèle. Assurez-vous que le modèle est monté et en ordre de vol avant de l'équilibrer.



Avant de faire voler le modèle

Trouvez un site de vol adapté

Trouvez un site de vol dégagé, à l'écart de bâtiments, d'arbres, de lignes électriques ou autres obstacles. Jusqu'à ce que vous sachiez exactement l'espace dont vous avez besoin et que vous maîtrisiez parfaitement votre avion, choisissez un site qui fasse au moins la surface de deux à trois terrains de football. Un site réservé à la pratique de l'aéromodélisme est encore mieux. Ne volez jamais à proximité de personnes, tout particulièrement d'enfants qui peuvent divaguer de façon imprévisible.

Faites un test de portée de votre radio

Par précaution, un test de portée doit être effectué avant le premier vol de chaque session de vol. Le test de portée est une bonne façon de détecter des problèmes qui peuvent entraîner une perte de contrôle, comme des piles faibles, des éléments de la radio défectueux, ou un brouillage radio. En général, il vous faut un assistant et vous devez le faire sur le site même où vous allez voler. d'enfants qui peuvent divaguer de façon imprévisible.

Allumez d'abord votre émetteur, puis montez un accu complètement chargé dans le fuselage. Branchez l'accu sur le contrôleur et placez la trappe.

Pensez à ne pas heurter le manche de gaz, sans quoi, l'hélice se mettra à tourner, pouvant causer des dégâts ou des blessures.

NOTE: Reportez-vous aux instructions de votre ensemble radio pour connaître la procédure de test de portée. Si les commandes ne répondent pas correctement ou si quoi que ce soit semble anormal, ne faites pas voler le modèle avant d'avoir trouvé le problème et de l'avoir corrigé. Assurez-vous que les fils de servos sont correctement connectés sur le récepteur et que les piles ou accus de l'émetteur sont bien chargés.

Surveillez votre temps de vol

Surveillez et limitez votre temps de vol avec un chronomètre (une montre-chrono, ou un chrono sur votre émetteur s'il en est équipé). Quand les accus faiblissent, vous constatez en général une baisse de puissance avant que le contrôleur ne coupe le moteur. Donc, dès que l'avion perd de la vitesse, vous devez atterrir. Souvent (mais pas toujours), vous pouvez remettre le moteur en marche brièvement quand le contrôleur après que le contrôleur ait coupé le moteur, en gardant le manche de gaz tout en bas quelques secondes.

Pour éviter un atterrissage en plané dès votre premier vol, nous vous conseillons de tabler sur une valeur prudente de 4 minutes. Quand les 4 minutes sont atteintes, posez-vous sans attendre.

Pilotage du modèle

Décollage

En mettant progressivement les gaz, maintenez l'axe avec la direction, le modèle va accélérer rapidement. Quand le modèle a assez de vitesse pour voler, mettez-le en montée sur un angle raisonnable et constant. Il va monter avec un bon angle d'attaque(AOA).

Vol

Choisissez toujours une zone vaste et dégagée pour faire voler votre avion. L'idéal est de voler sur le site d'un club d'aéromodélisme. Si ce n'est pas le cas, évitez toujours de voler à proximité de maisons, d'arbres, de lignes électriques et de bâtiments. Vous devez aussi éviter de voler sur des zones très peuplées, comme les parcs publics, les cours d'écoles, ou des terrains de sport. Consultez les lois et règlements locaux avant de choisir votre site de vol. Après le décollage, prenez de la hauteur. Montez pour tester tous les régimes de vol, y compris les hautes et basses vitesses. Après avoir pris en main votre modèle, vous pourrez faire des passages bas et rapides, du vol sur le dos, des loopings et des tonneaux.

Atterrissage

Dès que le moteur de votre modèle donne des à-coups (LVC) ou que vous sentez une diminution de puissance, posez-vous. Si vous avez un émetteur avec un chronomètre, réglez-le pour avoir la possibilité de faire plusieurs approches. Le train tricycle du modèle permet de se poser sur des pistes en dur. Alignez le modèle face au vent et laissez-le descendre vers le sol. Gardez 1/4 à 1/3 de puissance pour avoir assez d'énergie pour faire un bel arrondi. Avant que le modèle ne touche le sol, réduisez complètement le moteur pour éviter d'endommager l'hélice ou d'autres éléments. La clé d'un atterrissage réussi réside dans le dosage des gaz et de la profondeur dans l'approche finale et durant l'arrondi pour que le modèle touche le sol en douceur sur ses trois roues à la fois.

Entretien

Les réparations de la mousse doivent se faire avec des colles adaptées aux mousses expansées comme la colle thermo-fusible, la cyano spéciale mousse, et l'époxy 5 minutes. Si les pièces ne sont pas réparables, consultez la liste des pièces de rechange pour commander à l'aide des références.

Vérifiez toujours que toutes les vis du modèle sont bien serrées. Faites spécialement attention à la fixation du cône avant chaque vol.

Dépannage

Problème	Cause possible	Solution
Le moteur de l'avion ne répond pas, mais les autres commandes répondent.	-Le contrôleur n'est pas armé. -La voie des gaz est inversée.	-Abaissez le manche de gaz et son trim tout en bas. -Inversez la voie des gaz sur l'émetteur.
Bruit excessif de l'hélice ou vibrations excessives.	-Cône, hélice, moteur ou support moteur endommagé. -Hélice ou éléments du cône desserrés -Hélice montée à l'envers	-Remplacez les pièces endommagées. -Serrez l'adaptateur d'hélice, l'hélice et le cône. -Démontez et remontez l'hélice correctement.
Temps de vol réduit ou modèle sous motorisé.	-Accu mal chargé -Hélice montée à l'envers -Accu endommagé	-Rechargez complètement l'accu. -Remontez l'hélice dans le bon sens. -Remplacez l'accu et suivez les
Les gouvernes ne bougent pas, ou réagissent lentement aux ordres	-Gouverne, guignol, tringlerie ou servo endommagé. -Fils endommagés ou connecteurs trop lâches.	-Remplacez ou réparez les éléments endommagés ou réglez les commandes. -Vérifiez les connexions
Gouvernes inversées	-Voies inversées sur l'émetteur	-Vérifiez les sens de débattement et réglez les sens depuis l'émetteur.
-Le moteur perd de la puissance. -Le moteur donne des à-coups puis perd de la puissance.	-Moteur ou accu endommagé. -Perte de puissance du modèle. - Le contrôleur passe en mode de coupure de sécurité en raison d'une	-Vérifiez vos accus, l'émetteur, le récepteur, le contrôleur et les câblages. Remplacez si nécessaire. - Posez l'avion immédiatement et rechargez l'accu.
La LED du récepteur clignote lentement.	Perte de puissance du récepteur	- Vérifiez les connexions entre le récepteur et le contrôleur. - Vérifiez l'état des servos. - Contrôlez les tringleries, pour vérifier si elles ne forcent pas.

Liste de pièces de rechange

FMSRY101	Fuselage	FMSRY116	Tringles de commandes
FMSRY102	Jeu d'ailes supérieures	FMSRY117	Jeu de vis
FMSRY103	Jeu d'ailes inférieures	FMSRY118	Autocollants
FMSRY104	Empennage vertical	FMSRY119	Tubes clé d'ailes
FMSRY105	Empennage horizontal	FMSRY120	Platine de batterie
FMSRY106	Verrière	FMSPROP035	Hélice
FMSRY107	Verrière	FMSBM003	Plaques support moteur
FMSRY108	Capot	FMSDZ005	Adaptateur d'hélice
FMSRY109	Ensemble train principal	FMSDJ014	Bâti moteur
FMSRY110	Plaques de verrouillage de train principal	PRKV460E	Moteur brushless 4258-KV460
FMSRY111	Mâts d'entreplans	PRESC033	Contrôleur brushless 50A avec BEC 5A
FMSRY112	Cabane	FMS17GAP	Servo analogique 17g, sens normal
FMSRY113	Cône d'hélice		
FMSRY114	Mâts de stabilisateur		
FMSRY115	Ensemble roulette de queue		

Visitez notre site internet pour voir les photos de ces produits : www.fmsmodel.com

Saisissez le mot "ESC" dans la case de recherche pour obtenir le manuel d'utilisation du contrôleur.

Manuel d'utilisation du contrôleur de vitesse brushless

Merci d'avoir acheté notre contrôleur électronique de vitesse (ESC). Les puissantes motorisations de modèles radio-commandés sont très dangereuses, aussi merci de lire attentivement ce manuel. Comme nous n'avons aucun contrôle sur l'utilisation, l'installation, ou l'entretien corrects de nos produits, aucune responsabilité ne sera assumée ou acceptée pour tous dégâts, pertes ou coûts résultant de l'utilisation de ce produit. Toute réclamation résultant de l'exploitation, d'une défaillance ou d'un dysfonctionnement, etc. sera refusée. Nous n'assumons aucune responsabilité pour les dommages corporels, matériels ou indirects résultant de notre produit ou de nos fabrications. Dans la mesure où la loi l'autorise, l'obligation d'indemnisation est limitée au montant de la facture du produit concerné.

Caractéristiques

Model	Courant en continu	Courant en pointe (≤10s)	Mode BEC	Sortie BEC	Capacités de la sortie BEC				Nom d'éléments		Poids	Dimensions
					LiPo 2S	LiPo 3S	LiPo 4S	LiPo 6S	Lipo	NiMH		L*W*H (mm)
6A	6A	8A	Linear	5V/0.8A	3servos				2S	5-6 cells	5.5	32*12*4.5
12A	12A	15A	Linear	5V/1A	3servos	2servos			2-3S	5-9 cells	9g	38*18*6
12AE	12A	15A	Linear	5V/2A	5servos	4servos			2-3S	5-9 cells	10g	38*18*7
15A	15A	20A	Linear	5V/2A	5servos	4servos			2-3S	5-9 cells	16.5g	48*22.5*6
20A	20A	25A	Linear	5V/2A	5servos	4servos			2-3S	5-9 cells	19g	42*25*8
30A	30A	40A	Linear	5V/2A	5servos	4servos			2-3S	5-9 cells	37g	68*25*8
40A	40A	55A	Linear	5V/3A	5servos	4servos			2-3S	5-9 cells	39g	68*25*8
40A-UBEC	40A	55A	Switch	5V/3A	5servos	5servos	5servos		2-4S	5-12 cells	43g	65*25*12
50A-UBEC	50A	65A	Switch	5V/5A	8servos	8servos	6servos	6servos	2-4S	5-12 cells	41g	65*29*10
60A-UBEC	60A	80A	Switch	5V/5A	8servos	8servos	6servos	6servos	2-6S	5-18 cells	63g	77*35*14
60A-UBEC	60A	80A	N/A	N/A					2-6S	5-18 cells	60g	86*38*12
80A-UBEC	80A	100A	Switch	5V/5A	8servos	8servos	6servos	6servos	2-6S	5-18 cells	82g	86*38*12
80A-UBEC	80A	100A	N/A	N/A					2-6S	5-18 cells	79g	86*38*12

Paramètres programmables (l'option en gras est le réglage par défaut)

- Réglage du frein : Activé / **Désactivé**
- Type de batterie : **LiPo** / NiMH
- Mode de protection en cas de tension faible (Cut-Off mode) : **Coupe douce (réduit progressivement la puissance)** / Coupe franche (Coupe immédiatement la puissance de sortie)
- Seuil de protection de tension faible (Cut-Off Threshold) : Bas / **Moyen** / Haut
 - Pour les batteries au lithium, le nombre d'éléments est calculé automatiquement. Les paramètres Bas/Moyen/Haut correspondent respectivement à une tension par élément de : 2,85V/3,15V/3,3V. Par exemple, pour un 3S LiPo, si le seuil de coupure est réglé sur « Moyen », la tension de coupure est de $3,15 \times 3 = 9,45$ V.
 - Pour les batteries NiMH, les paramètres Bas/Moyen/Haut correspondent respectivement à une tension de coupure de 0%/50%/65% de la tension de départ (la tension de la batterie lors de la connexion). 0% signifie que la protection en cas de tension faible est désactivée. Par exemple, pour un pack NiMH 6 éléments, la tension à pleine charge est de $1,44 \times 6 = 8,64$ V. Si « Moyen » est sélectionné pour la tension de coupure, la tension de coupure sera de $8,64 \times 50\% = 4,32$ V.
- Mode de démarrage : Normal / Doux / Super doux (300 ms / 1,5 s / 3 s)
 - Le mode Normal est adapté aux aéronefs à voilure fixe.
 - Les modes doux et super-doux sont adaptés aux hélicoptères. L'accélération initiale des modes doux et super-doux est plus lente, il faut 1,5 s pour le démarrage doux et 3 s pour le démarrage super-doux, entre le début de mise des gaz et le plein gaz. Si les gaz sont complètement coupés (manche de gaz tout en bas) et remontés (manche de gaz en haut) dans les 3 secondes après le premier démarrage, le redémarrage est temporairement changé en mode normal afin d'éviter un crash dû à une réponse trop lente des gaz. Cette conception est particulièrement adaptée au vol acrobatique quand une réponse des gaz rapide est nécessaire.
- Timing : Bas / Moyen / Haut (3,75° / 15° / 26,25°) En général, le timing bas est adapté à tous les moteurs. Pour obtenir plus de vitesse, vous pouvez choisir une valeur de timing plus élevée.

Manuel d'utilisation du contrôleur de vitesse brushless

Pour commencer à utiliser votre nouveau contrôleur

IMPORTANT! Comme différents émetteurs ont des plages de gaz différentes, merci de calibrer la plage des gaz avant de voler.

Réglage de la plage des gaz (La plage des gaz doit être réinitialisée si vous utilisez un nouvel émetteur).

1. Allumez l'émetteur, placez le manche de gaz tout en haut.
2. Branchez le pack d'accus sur le contrôleur et attendez environ 2 secondes.
3. Un son « Bip-bip » doit être entendu, indiquant que le point de plein gaz est confirmé.
4. Abaissez complètement le manche de gaz, plusieurs « bips » doivent être entendus, indiquant le nombre d'éléments de la batterie.
5. Un long « bip » doit être entendu, indiquant que point gaz coupés est correctement confirmé.

Procédure normale de mise en route

1. Placez le manche de gaz tout en bas et allumez l'émetteur.
2. Branchez le pack d'accus sur le contrôleur, une mélodie style « ♪123 » indique que l'alimentation est OK.
3. Plusieurs « Bips » doivent être entendus, indiquant le nombre d'éléments au lithium de la batterie.
4. Quand le test automatique est terminé, un long « Bip---- » doit être entendu.
5. Montez le manche de gaz pour voler.

Fonction de protection

1. Protection d'échec du démarrage : Si le moteur refuse de démarrer dans les 2 secondes suivant la mise des gaz, le contrôleur coupe la sortie. Dans ce cas, le manche de gaz doit être abaissé à fond pour redémarrer le moteur (une telle situation survient dans les cas suivants : connexion entre moteur et contrôleur non fiable, hélice ou moteur bloqué, réducteur endommagé, etc.)
2. Protection contre la surchauffe : Si la température du contrôleur dépasse les 110 °C, le contrôleur réduit la puissance de sortie.
3. Protection en cas de perte de signal des gaz : Le contrôleur réduit la puissance de sortie si le signal est perdu durant une seconde, toute perte de signal de plus de 2 secondes entraîne la coupure complète des gaz.

Dépannage

Problème	Cause possible	Action
Après mise sous tension, le moteur ne fonctionne pas, aucun son n'est émis	Connexion entre la batterie et le contrôleur incorrecte.	Vérifiez les connexions de l'alimentation Remplacez le connecteur
Après mise sous tension, le moteur ne fonctionne pas, un son type « Bip-bip-, Bip-bip---- » est émis (la pause entre chaque « Bip-Bip- » est d'environ 1 seconde)	Tension d'alimentation anormale, trop élevée ou trop faible.	Vérifiez la tension du pack d'accus
Après mise sous tension, le moteur ne fonctionne pas, un son type « Bip-, Bip-, Bip-... » est émis (la pause entre chaque « Bip- » est d'environ 2 secondes)	Signal des gaz irrégulier	Vérifiez le récepteur et l'émetteur. Vérifiez le cordon de la voie des gaz.
Après mise sous tension, le moteur ne fonctionne pas, un son type « Bip-, Bip-, Bip-... » est émis (la pause entre chaque « Bip- » est d'environ 0,25 seconde)	Le manche de gaz n'est pas tout en bas	Abaissez le manche de gaz à fond
Après mise sous tension, le moteur ne fonctionne pas, un son type « ♪ 56712 » est émis après deux « bips » (Bip-bip)	Le sens des gaz est inversé, le contrôleur est entré en mode de programmation.	Régalez correctement le sens de la voie des gaz
Le moteur tourne dans le mauvais sens	Il est nécessaire de modifier les connexions entre le contrôleur et le moteur	Intervertissez n'importe quelle paire de connexions entre le contrôleur et le moteur

Programmation du contrôleur avec votre émetteur (4 étapes)

Note : Assurez-vous que la courbe de gaz est à 0 quand le manche de gaz est en position basse et à 100 % pour la position haute.

NO.1 Entrer en mode de programmation

1. Allumer l'émetteur, placer le manche de gaz tout en haut, branchez le pack d'accus au contrôleur.
2. Attendez deux secondes, le moteur doit émettre un son type « Bip-Bip- ».
3. Attendez 5 secondes de plus, une mélodie spéciale style « ♪56712 » doit être émise, ce qui signifie que vous êtes entré en mode de programmation.

NO.2 Sélectionner les paramètres programmables

Après être entré en mode de programmation, vous allez entendre 8 sons, en boucle, avec la séquence suivante. Si vous déplacez le manche de gaz vers le bas dans les 3 secondes suivant un type de son, ce paramètre est sélectionné.

Consonne indicative	Options
« Bip »(1 son court)	Frein
« Bip-Bip- »(2 sons courts)	Type de batterie
« Bip-Bip-Bip- »(3 sons courts)	Mode de cut-off (coupure)
« Bip-Bip-Bip-Bip- »(4 sons courts)	Seuil de coupure
« Biiiiip---- »(1 son long)	Mode de démarrage
« Biiiiip----Bip- »(1 son long, 1 son court)	Timing
« Bip-Bip- »(1 son long, 2 sons courts)	Réinitialisation
« Biiiiip----Biiiiip---- »(2 sons longs)	Sortie

Note : 1 son long « Biiiiip---- » = 5 sons courts « Bip- »

NO.3 Sélection de la valeur du paramètre

Vous allez entendre plusieurs sons en boucle. Sélectionnez la valeur correspondant à un son en remontant le manche de gaz quand vous entendez le son, ensuite, une mélodie spéciale « ♪1515 » est émise, indiquant que la valeur est choisie et enregistrée. En gardant le manche en haut, vous revenez à l'étape 2 et vous pouvez choisir un autre paramètre. Sinon, en abaissant le manche de gaz dans les deux secondes, vous sortez directement du mode de programmation.

Paramètre \ Sons	« Bip- » (1 son court)	« Bip-Bip- » (2 sons courts)	« Bip-Bip-Bip- » (3 sons courts)
Frein	OFF	ON	
Type de batterie	LiPo	NiMH	
Mode de coupure	Coupure douce	Coupure franche	
Seuil de coupure	Bas	Moyen	Haut
Mode de démarrage	Normal	Doux	Très doux
Timing	Bas	Moyen	Haut

NO.4 Sortir du mode de programmation

Il y a deux façons de sortir du mode de programmation:

1. A l'étape 3, après le son spécial « ♪1515 », abaissez le manche de gaz dans les 2 secondes.
2. A l'étape 2, après le son « Biiiiip----Biiiiip---- » (Paramètre 8), abaissez le manche de gaz dans les 3 secondes.

警告



警告:在组装、调整及飞行前请务必认真阅读产品说明书以熟知产品的特性。请严格按照说明书提示进行飞机的组装、调整及飞行。如操作不当会造成产品本身损坏及其它财产损失,甚至造成严重的人身伤害。

声明:模型不是玩具,具有一定的危险性,操作者需要具备一定的飞行经验,初学者请在专业人士指导下操作。禁止十四岁以下儿童操作、飞行。

安全须知

本产品飞行由无线电遥控器控制,在飞行过程中可能会受到外界强信号源干扰而导致失控,甚至坠机。因此,在飞行过程中务必始终与飞机保持一定的安全距离,避免意外碰撞、受伤。

- 请勿在发射器电池低电量的情况下操纵模型飞机。
- 请勿在公路、人群、高压线密集区、机场附近及其它法律法规明确禁止飞行的场合飞行。
- 请勿在雷雨、大风、大雪或者其它恶劣气象环境下飞行。
- 请严格遵照产品指导说明及安全警告操作本产品及其相关配置(例如充电器、电池等)。
- 请勿将相关化工类产品、零部件、电子部件等置于儿童可触及的范围。
- 请勿将电子件暴露于潮湿的环境中,以免造成损坏。
- 请勿将本品任意处置于口中,以免造成人身伤亡。

锂聚合物电池使用安全须知

- 使用锂聚合物电池时,须严格遵守制造商说明、要求并了解相关风险,使用不当会导致锂聚合物电池起火,从而造成严重的财产损失甚至人身伤害。
- 禁止使用变形、胀气的锂聚合物电池。
- 禁止使用过充、放电的锂聚合物电池,避免发生危险。长时间不使用须将锂聚合物电池放电至存储电压(3.8~3.85V/节)。锂聚合物电池须储存在室内干燥区域(4.5~48.5°C),禁止将锂聚合物电池置于阳光下暴晒或车内,高温可能会导致锂聚合物电池起火,造成财产损失和人身伤害。
- 请使用专用充电器对锂聚合物电池进行充放电,禁止使用其它如:镍氢电池充电器。充放电时,禁止将锂电池放置于高温物体表面,建议使用锂电池防爆袋。不正确的充放电操作会对锂聚合物电池造成损伤,甚至会引起火灾,造成财产损失和人身伤害。
- 禁止将锂聚合物电池单节电压放至低于3V,禁止给已损坏的锂聚合物电池充电。
- 锂聚合物电池充放电须在有人看管的情况下进行,避免发生意外造成不必要的损失。

飞机电池充电警告:

请确保使用合格的电池充电器给锂电池充电。在使用充电器前,请认真阅读充电器说明书。充电过程中,请确保把电池置于耐热的表面。建议把锂电池置于防火充电袋内充电,防火充电袋可在相关模型实体店或网上买到。

产品特点

FMS 新款滑翔机 2500mm ASW-17 来了!

FMS 出品的飞机向来忠于“精于静，精于动”的产品原则，在结构、性能、外观方面从不掉链子，2500mm ASW-17 也不例外。FMS 团队以精确到 0.1mm 的专业精神，前后四次微调翼型，以达到理想滑翔率。

ASW-17 的机翼、平尾、垂尾都采用卡扣式组装结构，无需螺丝，无需胶水，“咔哒”一声，即表示安装到位，省时省力。一架飞机的组装工作，甚至可以在 3 分钟内全部完成。跟 3000mm FOX 一样，ASW-17 机翼和机身预埋碳纤管，能有效增加机体强度。但值得一提的是，为了达到和真机一样的上反角，ASW-17 高成本特制 CNC 金属带螺纹机翼对接管，此两截式对接管由特种钢材和铝材结合而成，在降低飞行重量的同时，有效保障机翼在暴力飞行中不弯曲。性能方面也无需赘述，高品质的捕食者 3541-KV750 电机、好盈代工的 40A 电调，给整架飞机提供充沛动力，配以 4S 电池，可轻松完成各种机动力动作，如正反滚圈，失速倒转，四位滚转和倒飞等。

如果你正在寻找一架高滑翔率、高稳定性的滑翔机，不要错过 FMS 这架大道至简的 ASW-17。

特征：

- 捕食者3541电机、40A电调
- 卡扣快拆装结构,免胶水,免螺丝
- 两截式便携机翼
- 功能性襟翼
- 高效率折叠桨
- EPO泡沫

目录

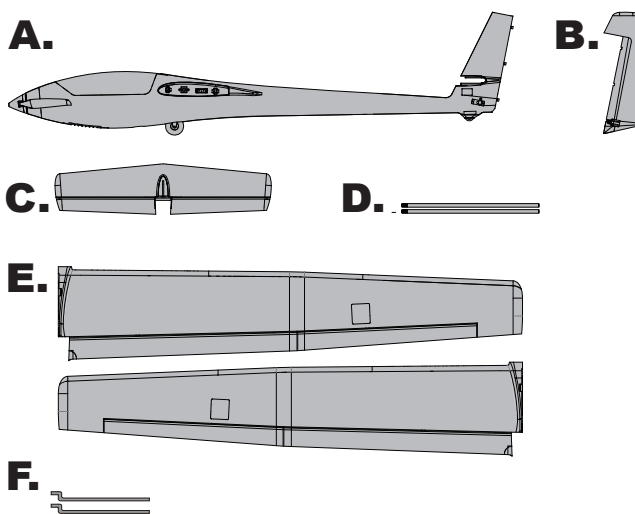
产品特点	39
产品组成	39
机体安装	40
电池安装	42
接收机连接示意图	42
遥控器设置	43
夹头安装方式	44
舵角和舵机摇臂安装	44
重心调整	44
飞行前准备	45
故障检修指导	46
配件列表	46
电调说明	47

产品组成

在组装产品之前，请仔细检查以下配件，如有缺失或者损坏，请及时联系当地店面或者邮件至厂家 (support@fmsmodel.com)，告知缺失或损坏的配件名称及编码（请在本说明书尾页查看相应的配件编码）。请注意，不同配置，包装盒内部物品不同。

产品参数

翼展: 2500mm /98.4 in
机身长: 1390mm /54.7 in
飞行重量: 2350g
电机: 3541 KV750
翼载荷: 45.7g/dm ² (0.09oz/in ²)
翼面积: 50.3 dm ² (779.5 sq.in)
电调: 40A
舵机: 17g*4pcs , 9g*2pcs
电池: 14.8V 2200mAh-2600mAh 35c



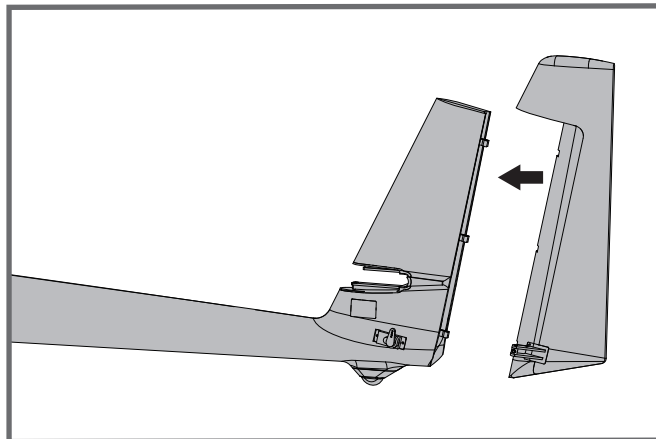
A:机身 C:平尾 E:主翼
 B:方向舵 D:主翼连接管 F:连接钢丝

机体安装

平尾垂尾安装

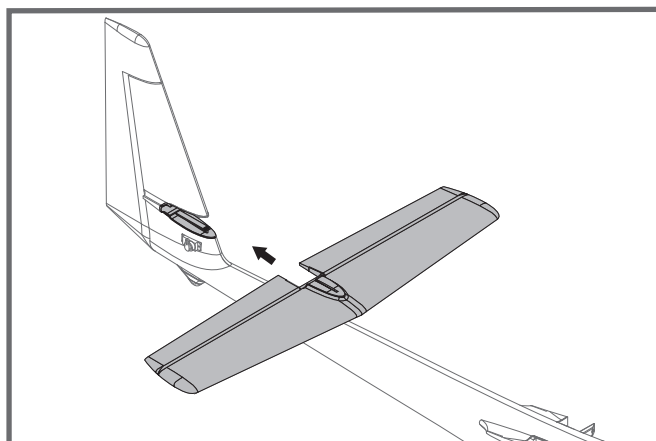
1. 如图所示，将方向舵安装至机身尾部，当听到“咔哒”声，即表示方向舵安装到位。

注意：确保卡扣回弹到位。



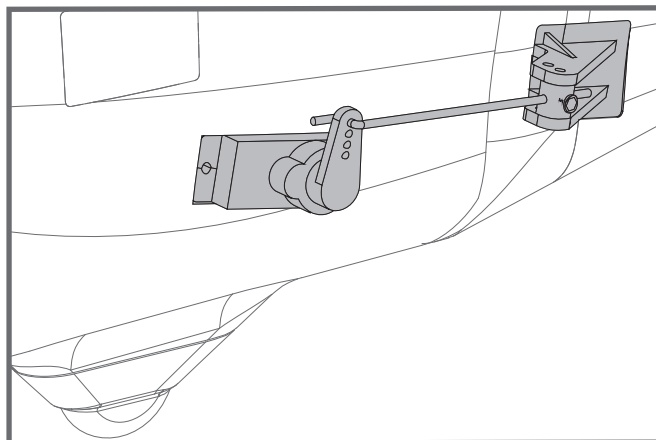
2. 将平尾安装至垂尾滑槽，将平尾移动到到位。

注意：确保平尾安装到位。



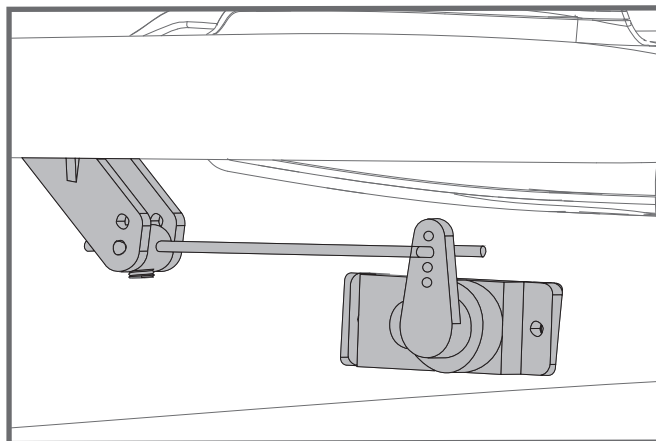
连接钢丝安装

1. 如图所示，保持舵机在回中状态，安装连接钢丝至垂尾舵角，用机米螺丝刀紧固。



机体安装

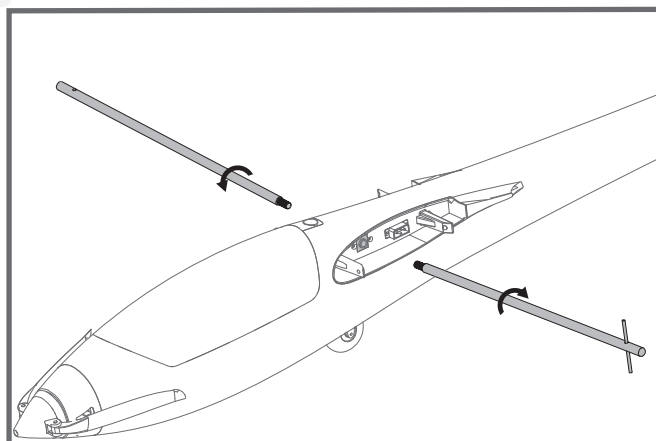
2. 保持舵机在回中状态，安装连接钢丝至平尾舵角，用机米螺丝刀紧固。



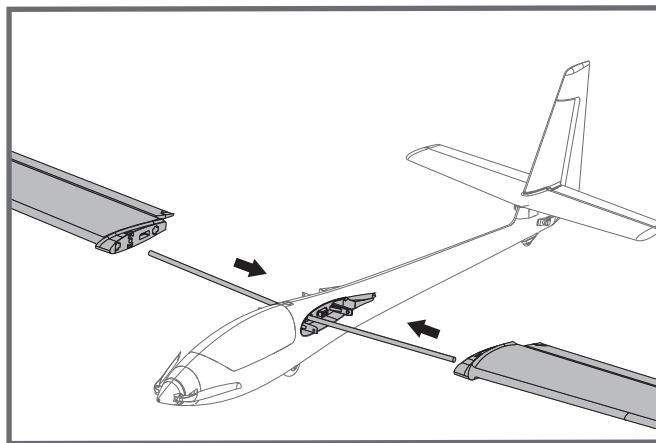
主翼安装

1. 如图所示，将主翼对接管有螺纹的一端装入机身两侧孔位，使用所附金属轴按图示方向旋转，固定对接管。

注意：保证对接管牢固固定。



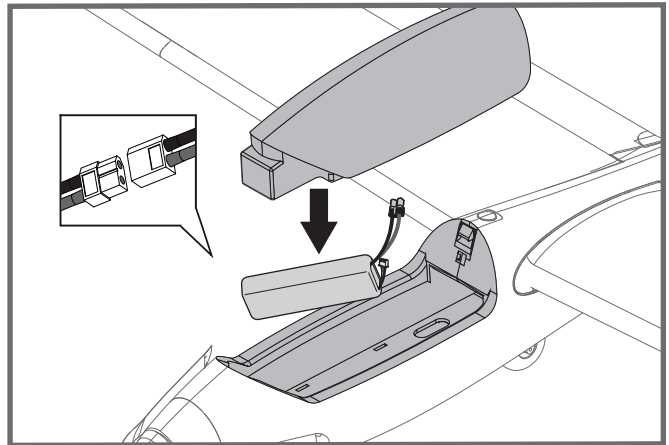
2. 将左右两侧机翼安装至对接管，按照图示方向移动机翼，直到听到“咔哒”声，即表示机翼安装到位。



电池安装

1. 移开电池盖。
2. 取下电池板上的魔术贴(毛面)贴于电池表面。
3. 如图所示,将电池置于电池舱内,用魔术带绑紧,使有电源线的那端朝向飞机的尾部。

注意：由于不同电池厂家生产的电池重量有轻微的差异，需要调整电池的前后位置来平衡飞机的重心位置。



接收机连接示意图

如图所示,以 Futaba 遥控器为例,将副翼舵机信号线插入接收机副翼通道、升降舵舵机信号线插入接收机升降舵通道、方向舵舵机信号线插入接收机方向舵通道、电调信号线插入接收机油门通道。最后将所有连接线整理整齐并固定在电池仓后部的凹槽内,随后固定好接收机。

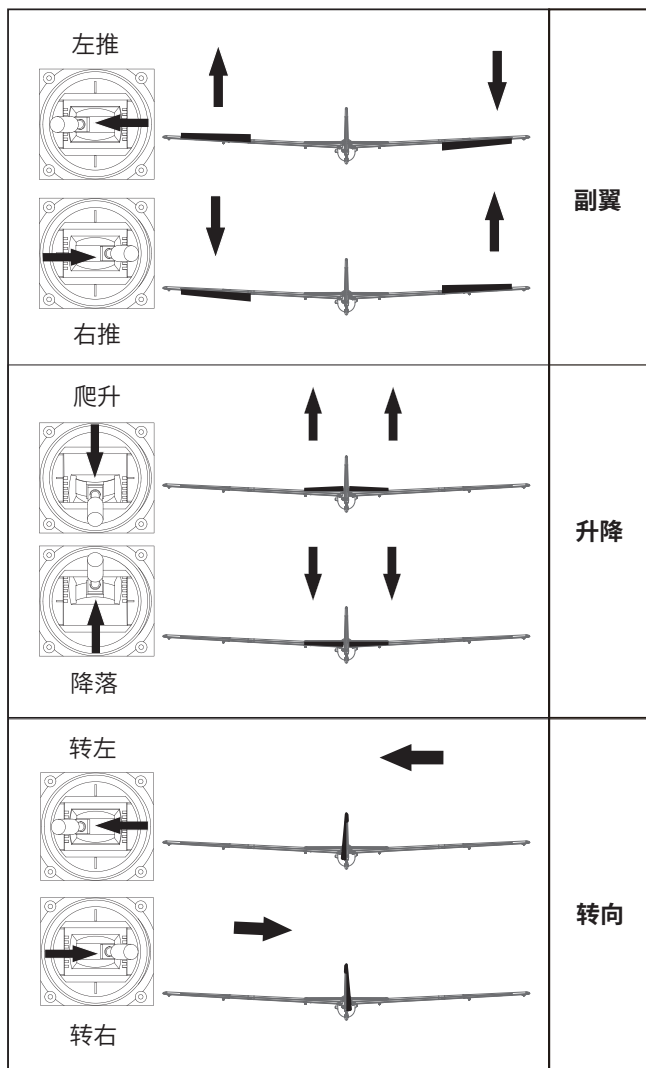
请注意,如产品带有襟翼功能,则将襟翼舵机信号线插入接收机的襟翼通道(6CH)。如产品配有LED,则LED信号线可插入任何闲置通道。

		Receiver
副翼	1	Channel-1 — Aile
平尾	2	Channel-2 — Elev
油门	3	Channel-3 — Thro
垂尾	4	Channel-4 — Rudd
起落架	5	Channel-5 — Gear
其他通道	6	Channel-6 — Spare

遥控器设置

警告：为保证安全，在遥控器参数设置及舵面调整过程中，请务必拆下螺旋桨，以免电机意外启动发生事故。遥控器发射机开机前，确保油门杆在最低位置，其它摇杆在中立位置。开发射机并给接收机通电，随后听到电调初始化音（音符释义见后文“电子调速器说明书”）。观察所有舵面是否回中，如果没有回中，尽量通过调整舵机摇臂角度、连杆长度的方式来使舵面回中，若调整长度在安全范围内仍未回中，则使用遥控器通道微调或者菜单中的“SubTrim”选项来使舵面归中。如下图所示观察摇杆动作与舵面动作的对应关系，如发生舵面反向需要使用遥控器中的通道反向功能来纠正。

1. 移动发射器上的控制杆位置，确保舵面可以自如移动。



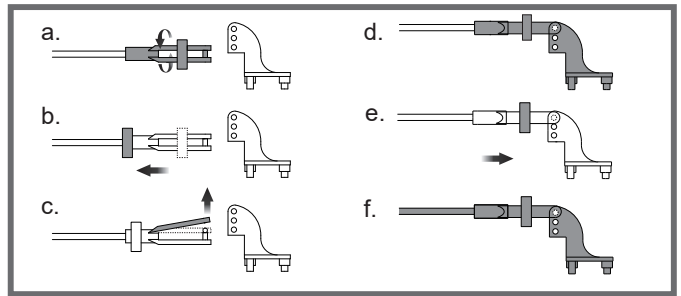
推荐舵面行程

温馨提示：首飞建议用小舵面行程

	大	小
升降舵	14mm up / down	10mm up / down
副翼舵	16mm up / down	12mm up / down
方向舵	16mm left / right	12mm left / right

夹头安装方式

1. 保证舵机为回中状态，将连接杆夹头调整到合适位置。
2. 将 O 型圈移开，打开夹头，将夹头安装到舵角孔位。
3. 将 O 型圈移回相应位置，锁紧夹头。



舵角和舵机摇臂安装

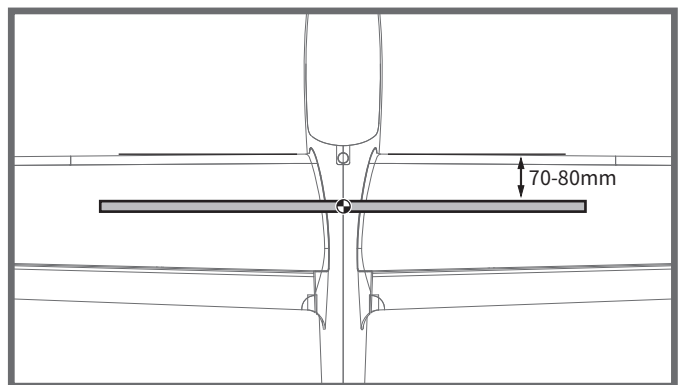
图示是舵角和舵面摇臂的出厂设置。首飞建议用出厂设置的舵角飞行。首飞后，可按图调整舵角。

	舵角	摇臂	大舵面
平尾			
垂尾			
副翼			小舵面

重心调整

通过移动电池在电池舱内的前后位置调整飞机的重心，使飞机保持水平或稍微头重的状态。首飞以后，重心位置可以根据你自己的飞行偏好再做更改。

1. 如图所示，推荐重心位置是机翼前缘往后 70-80mm 处（安装电池以后）。推荐把食指放在机翼下面的重心位置来帮助调整重心。
2. 在调整飞机重心的时候请确定飞机处于组装完毕待飞的状态。



飞行前准备

起飞前的检查

每次飞行前须做严格的地面检查,可有效避免飞行事故的发生。

1. 检查全机螺丝是否安装到位、舵角摇臂连接可靠。机翼快拆装置已锁紧。
2. 安装电池,并调整飞机重心到说明书推荐位置。
3. 动力电池、遥控器发射机电池等已充满电,处于可靠工作状态。
4. 发射机油门杆保持在最低位(推荐使用带有油门锁定功能的遥控设备),打开发射机,随后连接动力电池,待电调初始化完成后检查各个舵面是否回中,是否动作正确。
5. 轻推油门观察螺旋桨转向是否正确。

所有检查完成后,方可进行飞行,初学者首次飞行需要有经验的爱好者协助完成,避免因操作不当发生飞行事故。

合适的飞行场地

航模飞行须远离人群、建筑物、树木、高压线及禁飞区的空旷场地(至少 2-3 个足球场大小)。初学者飞行前需要向有经验的爱好者询问相关安全事宜。

关于飞行时间

厂家推荐的飞行时间是使用厂家推荐型号的电池,由有经验的爱好者在微风天完成飞行测试得到的飞行时间,该时间与电池参数、飞机全备重量、飞行条件以及飞行手法相关,不同飞行条件可能得到不同的飞行时间。

建议爱好者在飞行时使用遥控器的“计时功能”,建议初始飞行时间设定为 4 分钟,飞行时间倒计时告警后,降落飞机并测量电池电压,方可估算飞行时间并重新调整遥控器计时。如发射机没有计时功能,需要其他设备辅助测算飞行时间,以保证飞行安全。在电池放电后期,禁止将飞机飞入下风区(风向指向的远端),防止动力不足而导致飞机不能安全返航。

故障检修指导

问题	问题原因	解决方式
油门推杆无响应,但舵机有响应	—电调未连接电机 —油门通道反向	—降低油门推杆和油门微调设定 —反过来重新装油门通道
桨的噪音过大或者震动过大	—桨罩、桨、电机、电机架坏了 —桨或者桨罩的小部件松动了 —桨装反了	—更换损坏的配件 —把桨、桨夹和桨罩的小部件拧紧 —反过来重新装桨
飞行时间变短,飞机无力	—电池电量低 —桨装反了 —电池坏了	—重新给电池充电 —依照电池说明书更换新的电池
飞舵面不动,或者动作响应较慢	—舵面、舵角、连接杆、舵机坏了 —连接线坏了或者接头松了	—更换或者维修坏了的配件 —检查所有连接线,确保所有接头无松动现象
舵面反向	—遥控器发射机通道反向	—检查通道控制(舵面)方向,调试飞机舵面和遥控器的舵面控制杆
电机无力	—电机或电池坏了 —电调用了不合适的低压保护装置	—检查电池、发射机、接收机、电调、电机是否有损坏(如有,请及时更换) —立刻操控飞机降落,重新给电池充电
接收器的LED灯慢闪	—接收器低电量	—检查电调和接收器之间的连接 —检查舵机是否受损 —检查连接杆是否安装到位

配件列表

FMSEB101	机身	PRKV750E	3541-KV750 电机
FMSEB102	主翼	PRESC034	40A电调(带刹车)
FMSEB103	平尾	FMS17GDP	17g 塑胶数码正向舵机
FMSEB104	方向舵	FMS9MGDP	9g 金属数码正向舵机
FMSEB105	桨罩组	FMSCON0013	新排插13
FMSEB106	座舱		
FMSEB107	机身轮子		
FMSEB108	进气孔		
FMSEB109	贴纸		
FMSEB110	对接管		
FMSEB111	连接钢丝和调节器		
FMSPROP059	13.5*6, 2叶桨		
FMSBM042	电机板		
FMSDJ015	电机架		
FMSDZ022	电机轴		

如需查找产品图片,请登录FMS官方淘宝店<https://fmsmodel.taobao.com>。如需查找电调说明书,则在以上网址搜索栏中搜索关键词“电调”,即可在任何一款电调产品页面查看。

电调使用说明

感谢您购买本产品!无刷动力系统功率强大, 错误的使用可能造成人身伤害和设备损坏。为此我们强烈建议您在设备使用前仔细阅读本说明书, 并严格遵守规定的操作程序。我们不承担因使用本产品或擅自对产品进行改造所引起的任何责任, 包括但不限于对附带损失或间接损失的赔偿责任。

产品特点

1. 所有器件均为原装正品, 确保电调具有一流品质和极高的可靠性。
2. 具有强大的耐流能力。
3. 具备输入电压异常保护、电池低压保护、过热保护、油门信号丢失保护等多重保护功能。
4. 具有普通启动、柔和启动、超柔和启动三种启动模式, 兼容固定翼飞机及直升机。
5. 可设定油门行程, 兼容各种遥控器。具备平滑、细腻的调速手感, 一流的调速线性。
6. 最高转速可以达 210000 RPM (2 极马达)、70000 RPM (6 极马达)、35000 RPM (12 极马达)。

产品功能简要说明(粗体字为出厂默认值)

1. 刹车设定: **无刹车** / 有刹车。
2. 电池类型: **Lipo (锂电池)** / NiMH (镍氢)。
3. 电池低压保护模式: **逐渐降低功率** / 立即关闭输出。
注: 低压保护时, 将油门摇杆拉到最小油门的位置后即可重新启动马达, 但因为此时仍处于低压状况, 所以功率输出较小。
4. 低压保护阈值: 低 / **中** / 高。
1) 当电池类型设定为 Lipo 电池时, 电调自动判断锂电节数, 低 / 中 / 高情况下每节电池的截止电压分别为: 2.85V/3.15V/3.3V。
例如: 使用 3 节锂电, 设定为中截止电压, 则低压保护阈值为: $3.15 \times 3 = 9.45V$ 。
2) 当电池类型设定为镍氢电池时, 低 / 中 / 高情况下截止电压为开机时输入电压的 0%/50%/65%。0% 意味着不进行低压保护。
例如: 使用 6 节镍氢电池, 充满时电压为 $1.44 \times 6 = 8.64V$, 当设定为中截止电压时, 则截止电压阈值为: $8.64 \times 50\% = 4.3V$ 。
5. 启动模式: **普通** / 柔和 / 超柔和启动, 马达转速从静止到最高速度的时间分别为 300ms/1.5s/3s。
普通启动适用于固定翼, 柔和启动 / 超柔和启动适用于直升机。柔和启动和超柔和启动的初始转速都比较低, 即便瞬时油门摇杆推到最大位置, 马达从静止到全速也分别需要 1.5 秒和 3 秒。
(注: 启动过程结束后若关闭油门, 3 秒内再次启动, 则均自动切换为普通模式, 以免在特技飞行时因反应过慢而导致摔机)。
6. 进角: **低** / 中 / 高, 分别为 3.75 度 / 15 度 / 26.25 度。
一般情况下, 低进角可以适应较多的马达。但是因为马达结构差异很大, 请试用各个进角以获得满意的驱动效果。为提高转速, 可以将进角设为高进角。改变进角后, 建议先在地面进行测试, 然后再飞行。

产品规格

型号	持续电流	瞬时电流 (10 秒)	BEC 类型	BEC 输出	BEC 驱动微型舵机能力				电池节数		重量	体积 长*宽*高 (mm)
									锂电	镍氢		
6A	6A	8A	线性稳压	5V/0.8A	2 节锂电	3 节锂电	4 节锂电	6 节锂电	2 节	5-6 节	5.5g	32*12*4.5
12A	12A	15A	线性稳压	5V/1A	3 个舵机				2-3 节	5-9 节	9g	38*18*6
12AE	12A	15A	线性稳压	5V/2A	2 个舵机	2 个舵机			2-3 节	5-9 节	10g	38*18*7
15A	15A	20A	线性稳压	5V/2A	5 个舵机	4 个舵机			2-3 节	5-9 节	16.5g	48*22.5*6
20A	20A	25A	线性稳压	5V/2A	5 个舵机	4 个舵机			2-3 节	5-9 节	19g	42*25*8
30A	30A	40A	线性稳压	5V/2A	5 个舵机	4 个舵机			2-3 节	5-9 节	37g	68*25*8
40A	40A	55A	线性稳压	5V/3A	5 个舵机	4 个舵机			2-3 节	5-9 节	39g	68*25*8
40A-UBEC	40A	55A	开关稳压	5V/3A	5 个舵机	5 个舵机	5 个舵机		2-4 节	5-12 节	43g	65*25*12
50A-UBEC	50A	65A	开关稳压	5V/5A	8 个舵机	8 个舵机	6 个舵机	6 个舵机	2-4 节	5-12 节	41g	65*29*10
60A-UBEC	60A	80A	开关稳压	5V/5A	8 个舵机	8 个舵机	6 个舵机	6 个舵机	2-6 节	5-18 节	63g	77*35*14
60A-OPTO	60A	80A	无	无					2-6 节	5-18 节	60g	77*35*14
80A-UBEC	80A	100A	开关稳压	5V/5A	8 个舵机	8 个舵机	6 个舵机	6 个舵机	2-6 节	5-18 节	82g	86*38*12
80A-OPTO	80A	100A	无	无					2-6 节	5-18 节	79g	86*38*12

电调使用说明

首次使用您的无刷电子调速器

特别强调!为了让电调适应您的遥控器油门行程,在首次使用本电调或更换其他遥控器使用时,均应重新设定油门行程。

油门行程设定说明:

1. 开启遥控器,将油门打到最高点。
2. 将电调接上电池,等待 2 秒。
3. “啐 - 啐 -” 油门最高点确认音。
4. 将油门推到最低等待 1 秒。
5. N 声短鸣音表示锂电节数。
6. “啐 -” 油门最低点确认音
7. 系统准备就绪可以起飞。

正常使用开机过程说明:

1. 开启遥控器,将油门打到最低点。
2. 电调接上电池,鸣叫提示音符“♪123”,表示上电正常。
3. 发出 N 声短鸣音,表示锂电池节。
4. 自检 OK,发出长鸣音“啐——”系统准备就绪。
5. 推油门可随时起飞。

电调保护功能说明

1. 启动保护:当推油门启动后,如在两秒内未能正常启动马达,电调将会关闭马达,油门需再次置于最低点后,才可以重新启动。(出现这种情况的原因可能有:电调和马达连接接触不良或有个别输出线断开、螺旋桨被其他物体阻挡、减速齿卡死等)。
2. 温度保护:当电调工作温度超过 110 摄氏度时,电调会降低输出功率进行自我保护,但不会将输出功率全部关闭,最多只降到全功率的 40%,以保证马达仍有动力,避免摔机。温度下降后,电调会逐渐恢复最大动力。
3. 油门信号丢失保护:当检测到油门遥控信号持续丢失 1 秒后,电调开始降低输出功率,如果信号始终无法恢复,则一直降到零输出(降功率过程为 2 秒)。如果在降功率的过程中油门遥控信号重新恢复,则立即恢复油门控制。优点:在油门信号瞬间丢失的情况下(小于 1 秒),电调并不会立即切断动力输出;如果遥控信号确实长时间丢失,则进行保护,但也不是立即关闭输出,而是有一个逐步降低输出功率的过程,给玩家留有一定的时间救机,兼顾安全性和实用性。
4. 过负荷保护:当负载突然变得很大时,电调会切断动力,或自动重启。出现负载急剧增大的原因通常是马达堵转。

故障处理

故障现象	可能原因	解决方法
上电后电机无法启动,无任何声音	电源接头接触不良	重新插好接头或更换接头
上电后电机无法启动,发出“啐 - 啐 -、啐 - 啐 -、啐 - 啐 -”警示音(每两声之间的间隔时间为 1 秒)	电池组电压不正常	检查发射机和接收机的配合是否正常,油门控制通道接线是否插紧
上电后电机无法启动,发出“啐 -、啐 -、啐 -”警示音(每声之间的间隔时间为 2 秒)	接收机油门通道无油门信号输出	检查电池组电压
上电后电机无法启动,发出“啐、啐、啐、啐、啐”急促单音	油门未归零或油门行程设置过小	将油门摇杆置于最低位置;重新设置油门行程
上电后电机无法启动,发出“啐 - 啐 -”提示音,然后发出“56712”特殊提示音	油门通道“正/反”向错误	参考遥控器说明书,调整油门通道的“正/反”向设置
电机反转	电调输出线和电机线连接的线序错误	将三根输出线中的任意两根对调

遥控器编程设定说明

注意：务必检查遥控器中油门曲线的设置，确保摇杆最低点位置对应的油门输出值为 0，最高点位置对应输出值为 100%。

一、进入编程模式

1. 开启遥控器，将油门打到最高，电调接上电池。
2. 等待 2 秒，马达鸣叫“哔-哔-”提示音。
3. 再等待 5 秒，马达鸣叫“567i2”特殊提示音，表示已经进入编程模式。

二、选择设定项

进入编程设定后，会听到 8 种鸣叫声，按如下顺序循环鸣叫，在鸣叫某个提示音后，3 秒内将油门打到最低，则进入该设定项。

提示音	设定项
“哔” (1 短音)	刹车
“哔-哔-” (2 短音)	电池类型
“哔-哔-哔-” (3 短音)	低压保护模式
“哔-哔-哔-哔-” (4 短音)	低压保护阈值
“哔——” (1 长音)	启动模式
“哔——哔-” (1 长 1 短)	进角
“哔——哔-哔-” (1 长 2 短)	恢复出厂默认值
“哔——哔——” (2 长音)	退出

注：一长音“哔——”相当于 5 声短音“哔-”，所以在“选择设定项”中，一长一短的“哔——哔-”表示第 6 选项，以此

三、选择参数值

马达会循环鸣叫，在鸣叫某个提示音后将油门摇杆打到最高点，则选择该提示音所对应的设定值，接着鸣叫特殊提示音“i5i5”，表示该参数值已被保存。（此时如果不想再设定其它选项，则在 2 秒内将油门摇杆打到最低，即可快速退出编程设定模式；如果还要设定其它选项，则继续等待，退回第二步，再选择其它设定项）。

提示音	“哔-” 1 声	“哔-哔-” 2 声	“哔-哔-哔-” 3 声
设定项			
刹车	无刹车	有刹车	
电池类型	锂电池	镍氢电池	
低压保护方式	逐渐降低功率	立即关闭动力	
低压保护阈值	低	中	高
启动模式	普通模式	柔和启动	超柔和启动
进角	低	中	高

四、退出设定

有如下两种方式退出设定：

1. 在第三步，选择设定值时，鸣叫特殊提示音“i5i5”后，2 秒内将油门摇杆打到最低点，则退出设定。
2. 在第二步，选择设定项时，当电机鸣叫出“哔——哔——”（即第 8 个设定项）两长音后，3 秒内将油门打到最低点，则退出设定。



MADE IN CHINA