

September 14, 2021

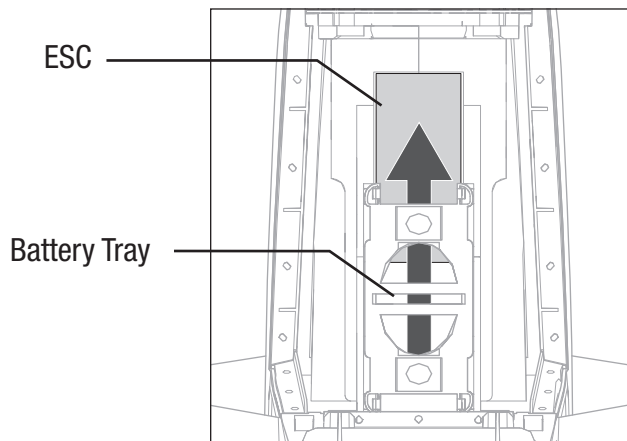
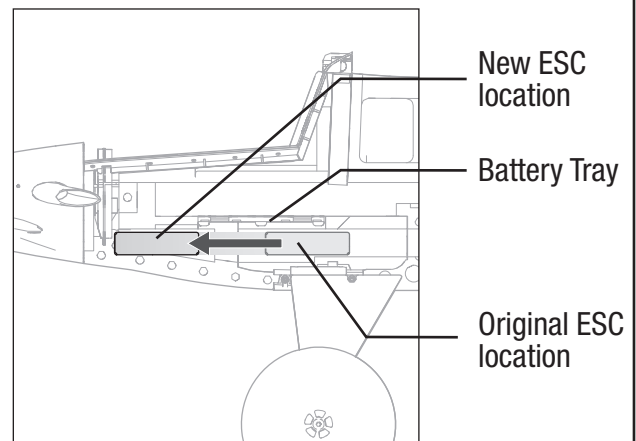
Product: E-flite® Turbo Timber Evolution BNF Basic and PNP (EFL105250, EFL105275)**Issue:** When flying on hot days (85+°F/29+°C), especially when flying aggressively with 4-cell batteries, the ESC can enter Thermal Protection mode (which reduces the maximum power to 60%).**What To Do:**

Before running the motor, move the ESC from its original location under the battery tray to the front of the compartment. This change allows for better cooling, and prevents the ESC from entering Thermal Protection mode under the same conditions.

To change the placement of the ESC for improved cooling, follow these steps:

1. Carefully slide the ESC to the front of the compartment below the battery tray.
2. Carefully pull the battery power leads and IC3® connector out from under the tray. Ensure the leads are not under strain or pressure.
3. Check to make sure the motor power leads are not touching the rotating part of the motor. Ensure the leads are not under strain or pressure.

TIP: Use a zip tie, hook and loop strap, etc. to carefully bundle the wire leads and secure them away from the motor.

Top View of Battery Compartment**Side View Cutaway**

We apologize for this inconvenience.

Horizon disclaims all liability and warranties for any consumer failing to act upon this product bulletin.