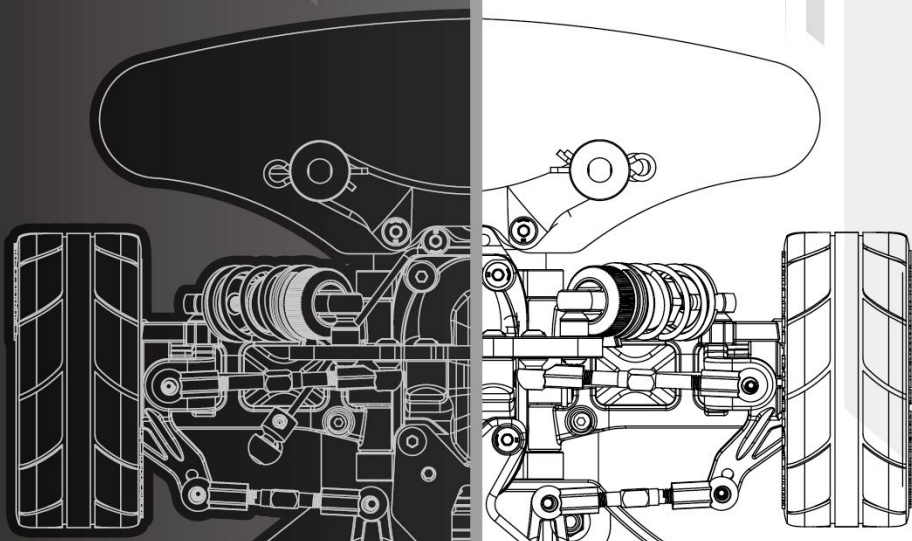


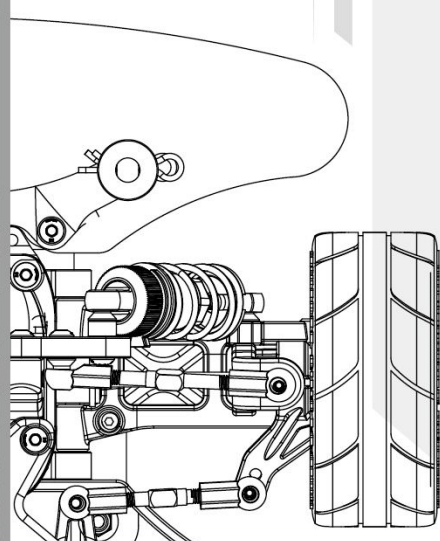
# CARTEN®



1/10 EP RC TOURING CAR

# T410R

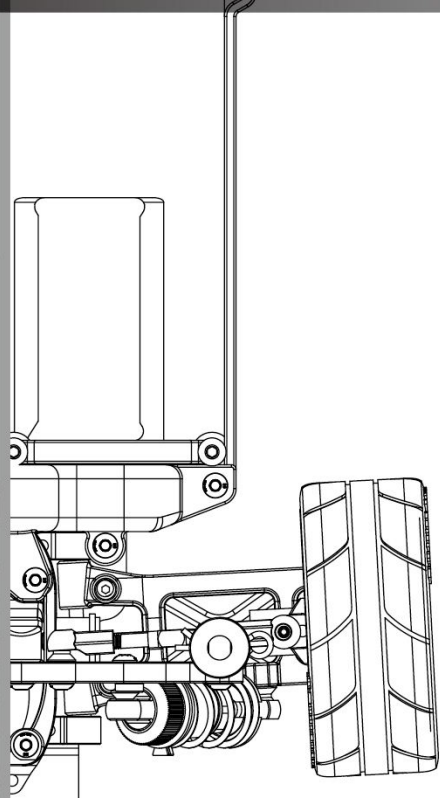
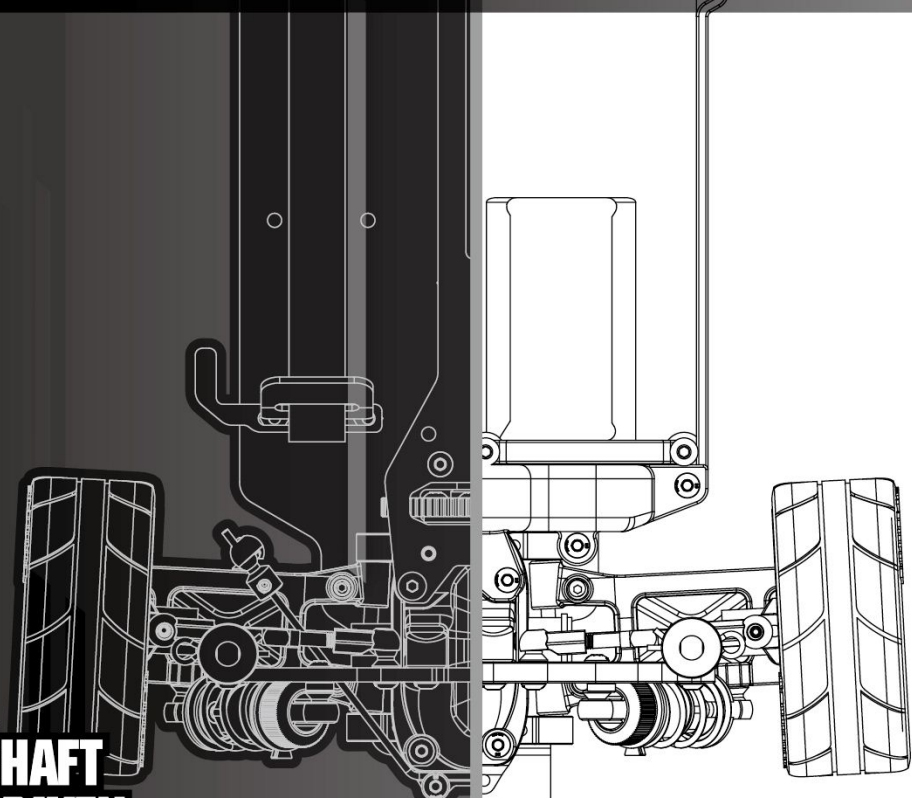
Revolution



# T410

Standard

## INSTRUCTION MANUAL



### 4WD SHAFT DRIVEN



SHAFT DRIVEN



ELECTRICAL POWER

[WWW.CARTEN-RC.COM](http://WWW.CARTEN-RC.COM)

## CAUTION

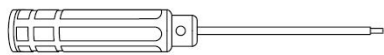
# T410R / T410

**Notice:** Thank you for choosing the carten T410R T410

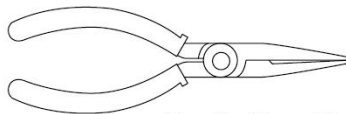
The following items are needed for completion of the KIT, They are not included with this kit (unless noted), and should be obtained from your local hobby shop.

**Be sure to read the instructions completely prior to assembly.**

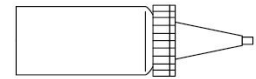
### Tools needed To Assemble



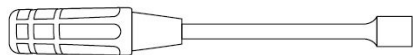
Hex Wrenches(1.5mm / 2.0mm / 2.5mm)



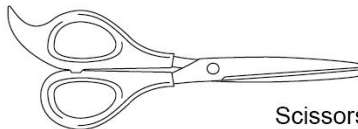
Needle Nose Pliers



Instant Glue



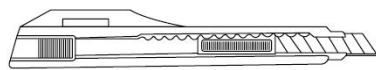
Box Wrench(5.5mm / 7mm / 10mm)



Scissors



Screw (Sement)



Hobby Knife

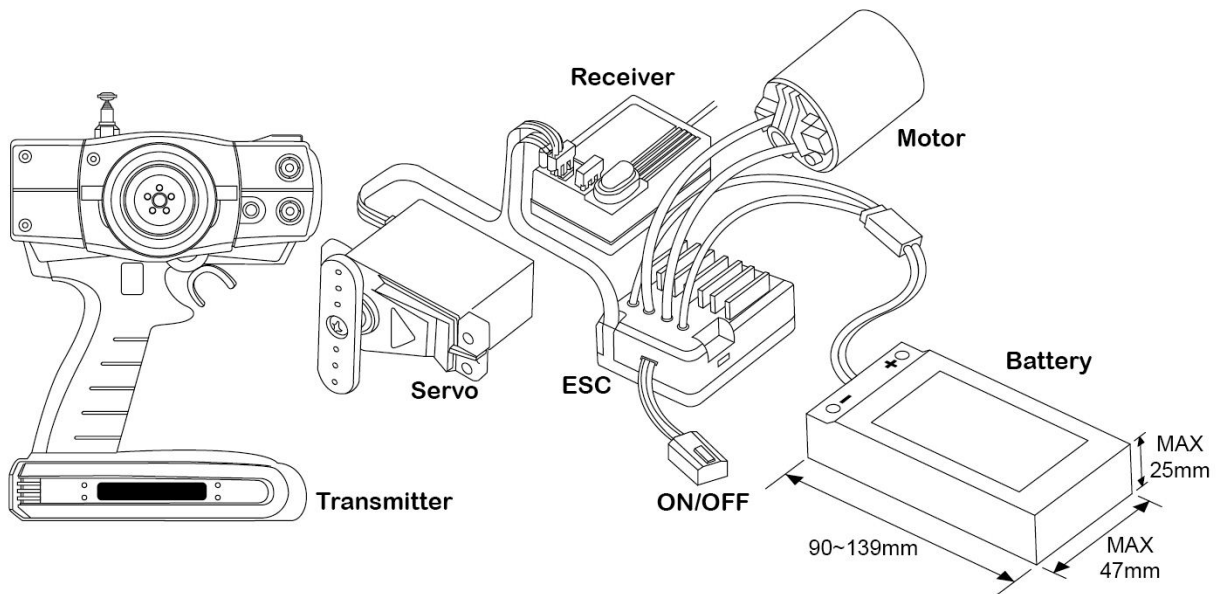


Glass or Vinyl Tape



Rubber Glue

### Items Needed To Control Car



## T410R Revolution

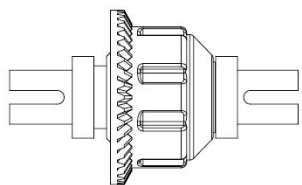
CARTEN T410R 1/10 EP TOURING CAR

### Specification

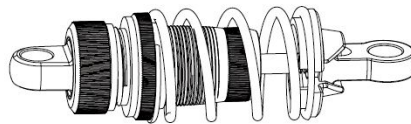
<b>Drivetrain</b>	Shaft Drive 4WD
<b>Track Width</b>	190 mm
<b>Wheelbase</b>	258 mm
<b>Final Gear Ratio</b>	2.47
<b>Gear Ratio</b>	5.74
<b>Tire Diameter</b>	65 mm

### Accessories

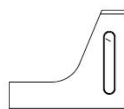
Full Bearing	Aluminum Spur Gear Hub
Stell CVD Drive Shaft	Aluminum 12mm Hex Hub
Carbon Fiber Chassis, Upper Deck, Shock Tower	Aluminum Shocks
Aluminum Motor Mount	Metal Gear Differential
Aluminum Center Drive Shaft	Full Turnbuckle



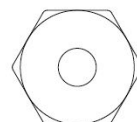
Metal Gear Diff



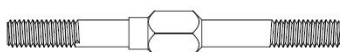
Oil Shock



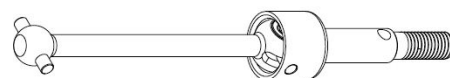
Servo Mount Set



Hex Hub



Turnbuckle



CVD Drive Shaft

## T410 (Standard)

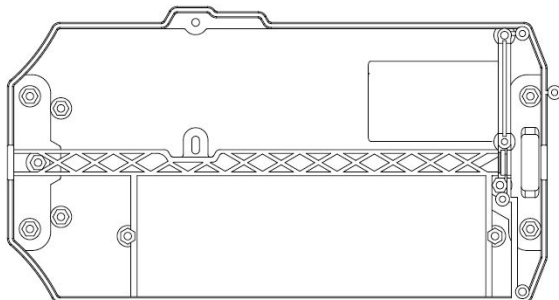
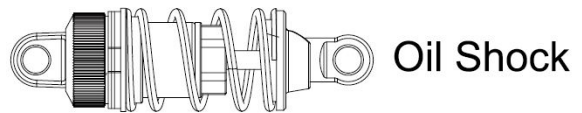
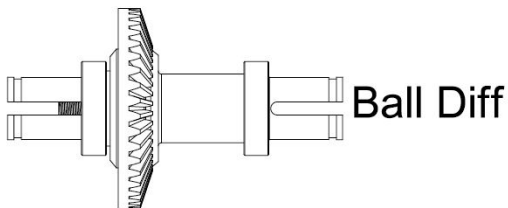
CARTEN T410 1/10 EP TOURING CAR

### Specification

<b>Drivetrain</b>	Shaft Drive 4WD
<b>Track Width</b>	190 mm
<b>Wheelbase</b>	258 mm
<b>Final Gear Ratio</b>	2.53
<b>Gear Ratio</b>	6.27
<b>Tire Diameter</b>	65 mm

### Accessories

Full Bearing	Aluminum Spur Gear Hub
Stell CVD Drive Shaft (Front only)	Ball Differential
Aluminum Motor Mount	Full Turnbuckle
Aluminum Center Drive Shaft	

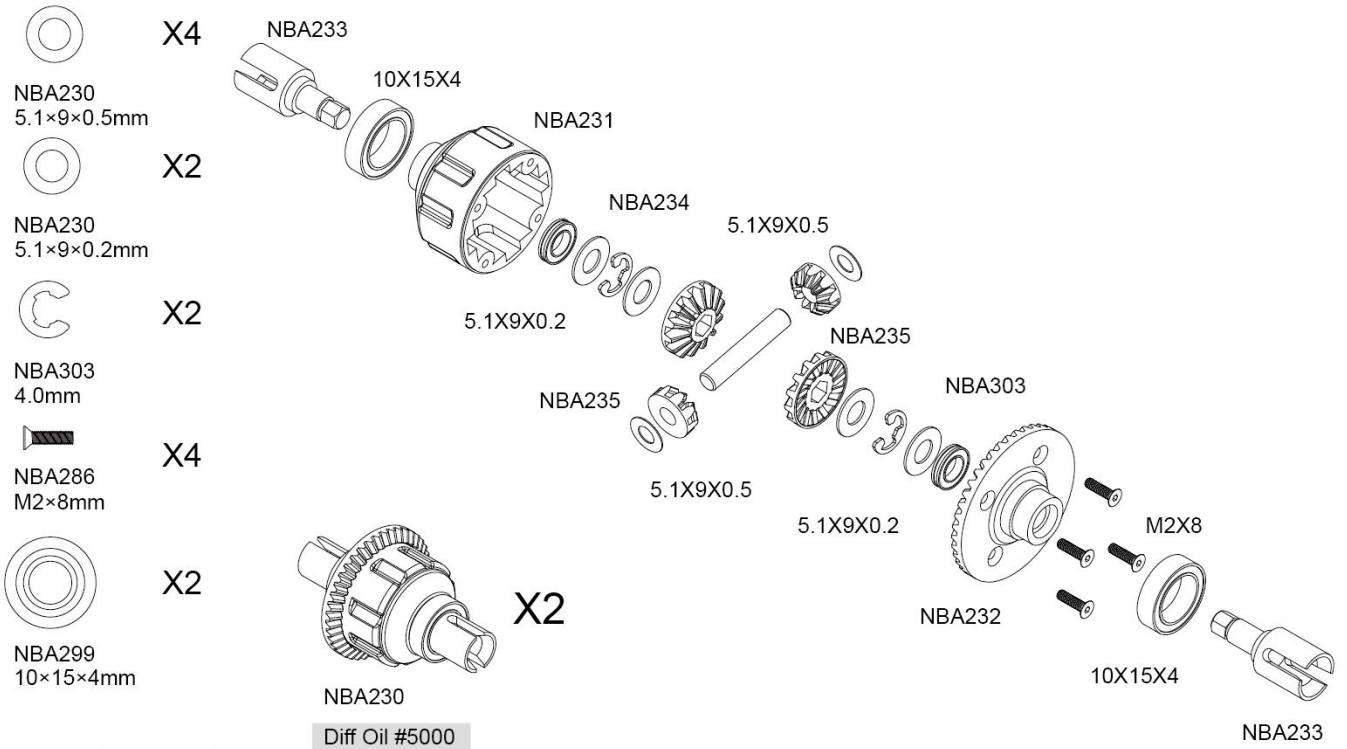




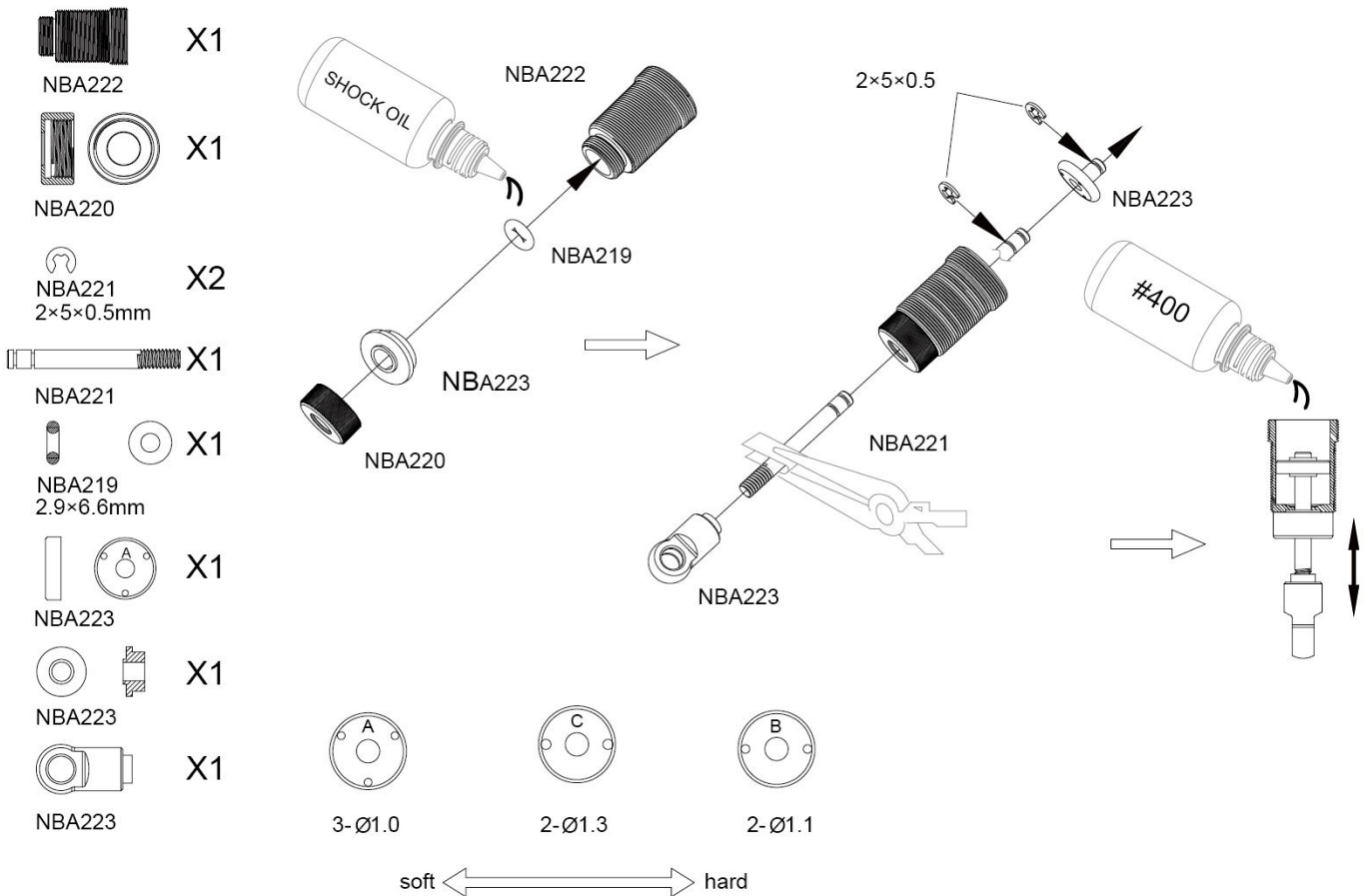


## T410R

**1**







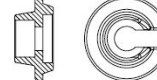


**2**

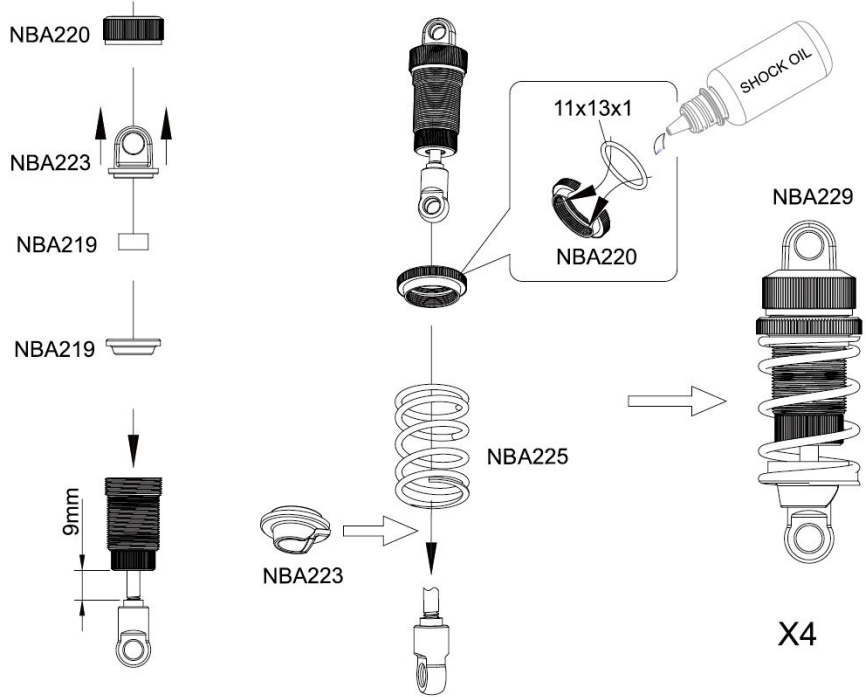







## T410R

### 3


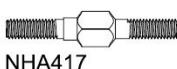
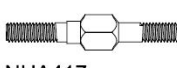
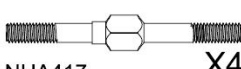
-  X1  
NBA220
-  X1  
NBA220
-  X1  
NBA219  
11x13x1mm
-  X1  
NBA223
-  X1  
NBA223
-  X1  
NBA219
-  X1  
NBA219

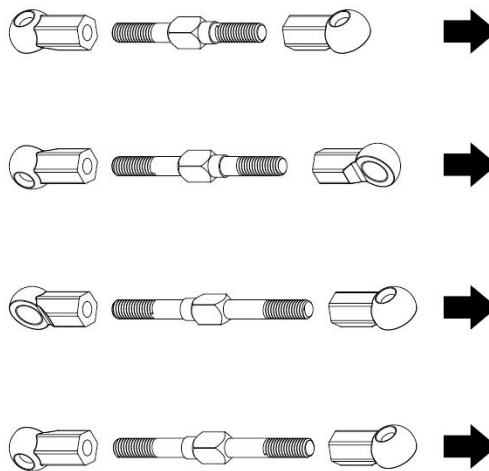


HARD ← → SOFT

<p><b>NBA225</b> Shock spring (1.2X22mm) Blue-Hard</p>  X4	<p><b>NBA226</b> Shock spring (1.2X22mm) Yellow-Medium</p>  X4	<p><b>NBA227</b> Shock spring (1.2X22mm) Red-Soft</p>  X4
---------------------------------------------------------------------------------------------------------------------------------------------------	--------------------------------------------------------------------------------------------------------------------------------------------------------	----------------------------------------------------------------------------------------------------------------------------------------------------

### 4

-  X14  
NBA247
-  X2  
NHA417  
M3x27
-  X1  
NHA417  
M3x29
-  X4  
NHA417  
M3x37



**SET UP**

← 15.4mm →

Ⓐ x2 - Steering

← 21mm →

Ⓑ x1 - Servo Saver

← 24mm →

Ⓒ x2 - Front upper



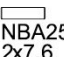

← 25.8mm →

Ⓓ x2 - Rear upper




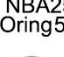
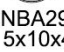


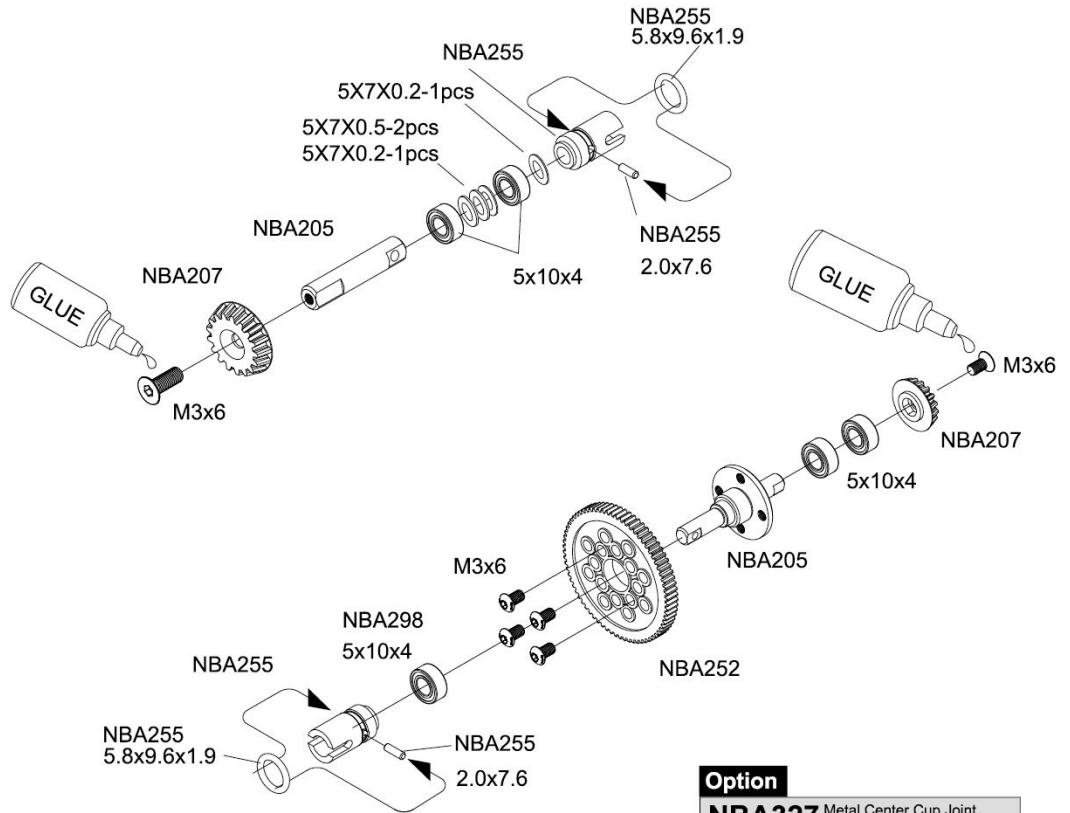
## T410R

**5**

-  X2  
NBA298  
5x10x4
-  X1  
NBA255  
Oring 5.8x9.6x1.9
-  X1  
NBA255  
2x7.6
-  X1  
NBA279  
M3x6

---

-  X4  
NBA281  
M3x6
-  X1  
NBA279  
M3x6
-  X1  
NBA255  
2.0x7.6
-  X1  
NBA255  
Oring 5.8x9.6x1.9
-  x3  
NBA298  
5x10x4

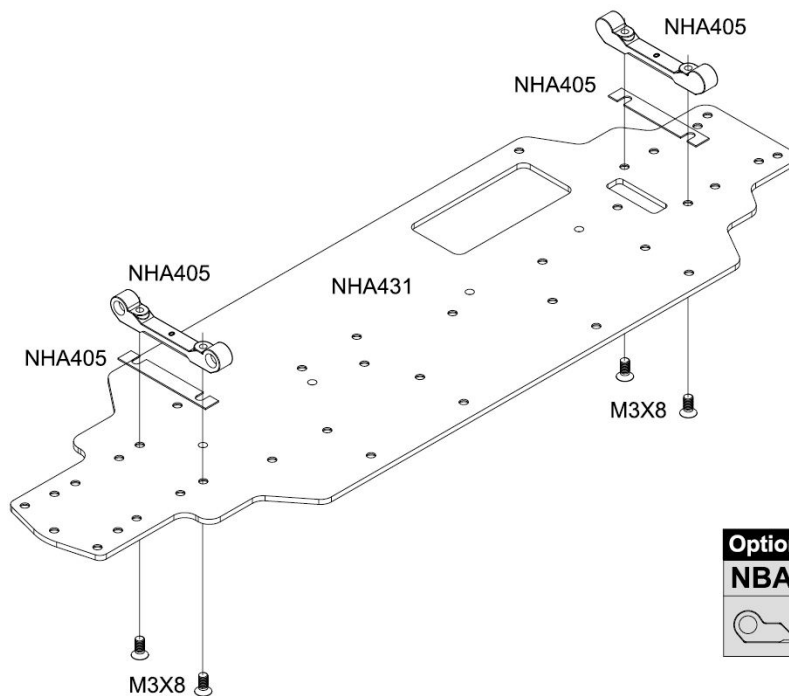


**Option**  
**NBA327** Metal Center Cup Joint  
 (For Gear Diff)


	x1		x1
	x4		x4

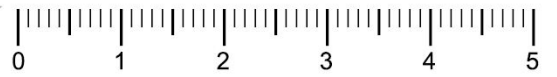
**6**

-  X4  
NBA280  
M3x8mm



**Option**  
**NBA314** Pivot Block (ALUMINUM) 0°

	x1
---------------------------------------------------------------------------------------	----



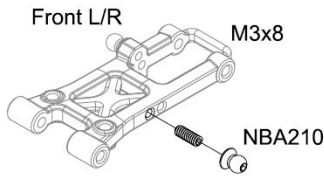
## T410R

7



X8

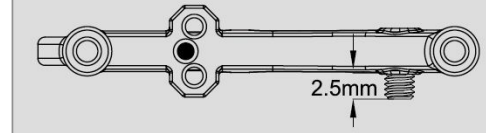
NBA210  
3x8mm



X8

NBA211

### Set up tip



NHA423  
3X42

X4



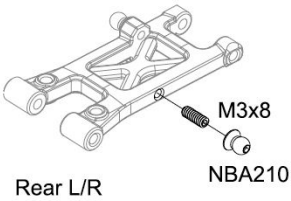
X8

NBA289  
M3x8mm

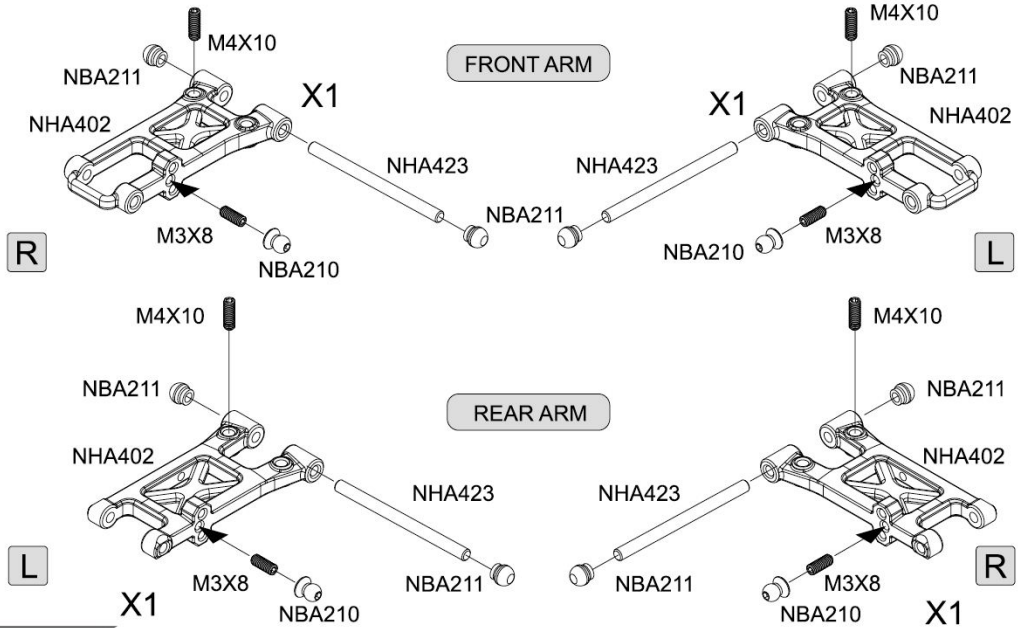


X4

NHA430  
M4x10mm



Rear L/R

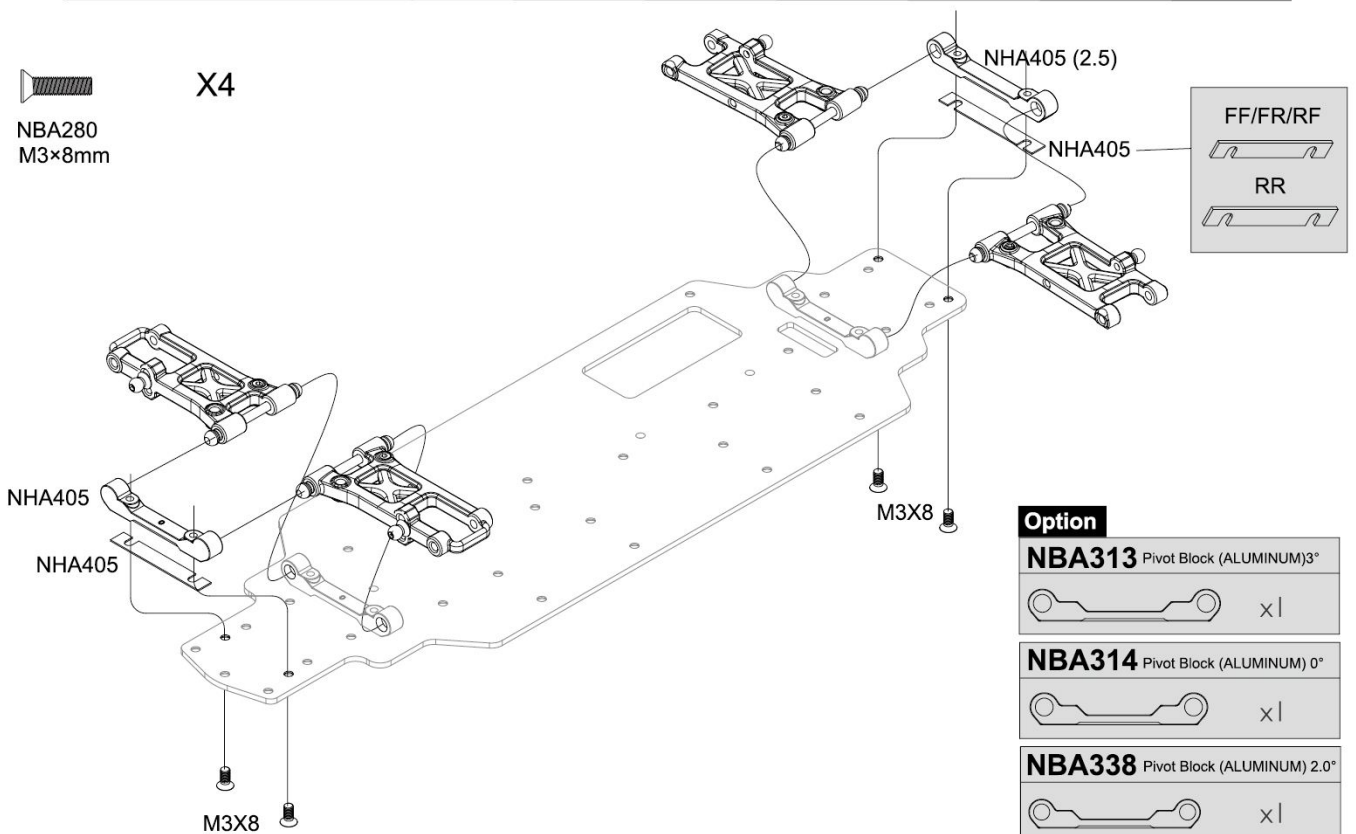


8



X4

NBA280  
M3x8mm



### Option

**NBA313** Pivot Block (ALUMINUM) 3°



**NBA314** Pivot Block (ALUMINUM) 0°



**NBA338** Pivot Block (ALUMINUM) 2.0°

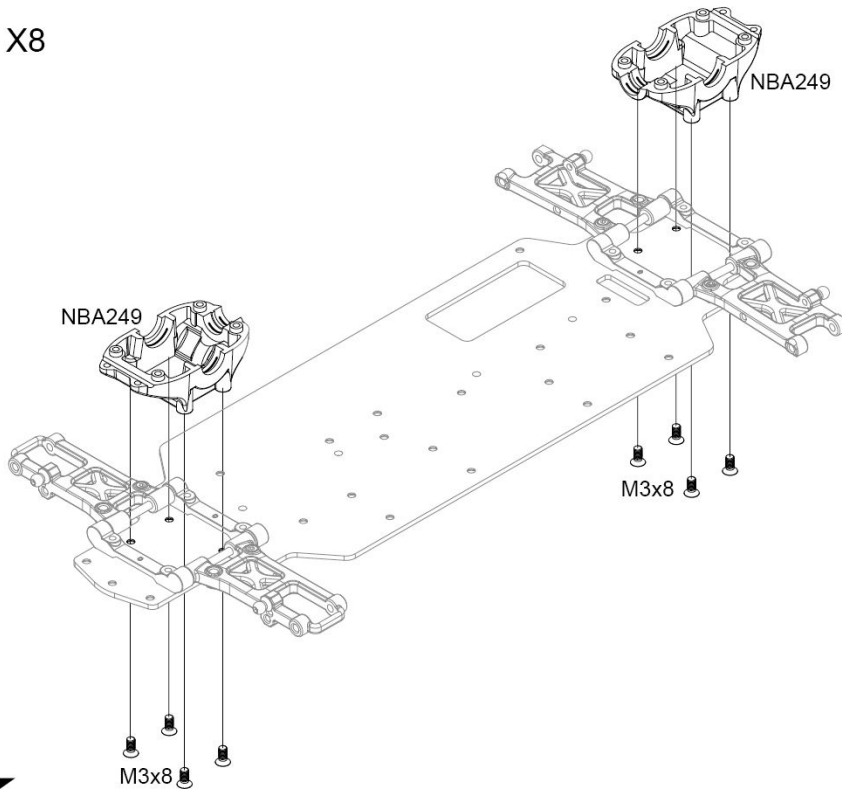




9

NBA280  
M3x8

X8



10

NBA279  
M3x6

X2

NBA280  
M3x8

X4

NBA282  
M3x8mm

X1

NBA210  
3x8mm

X1

NBA281  
M3x6mm

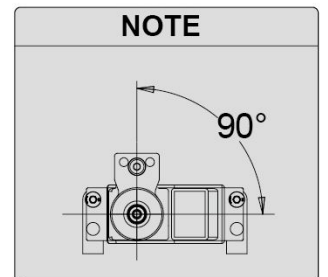
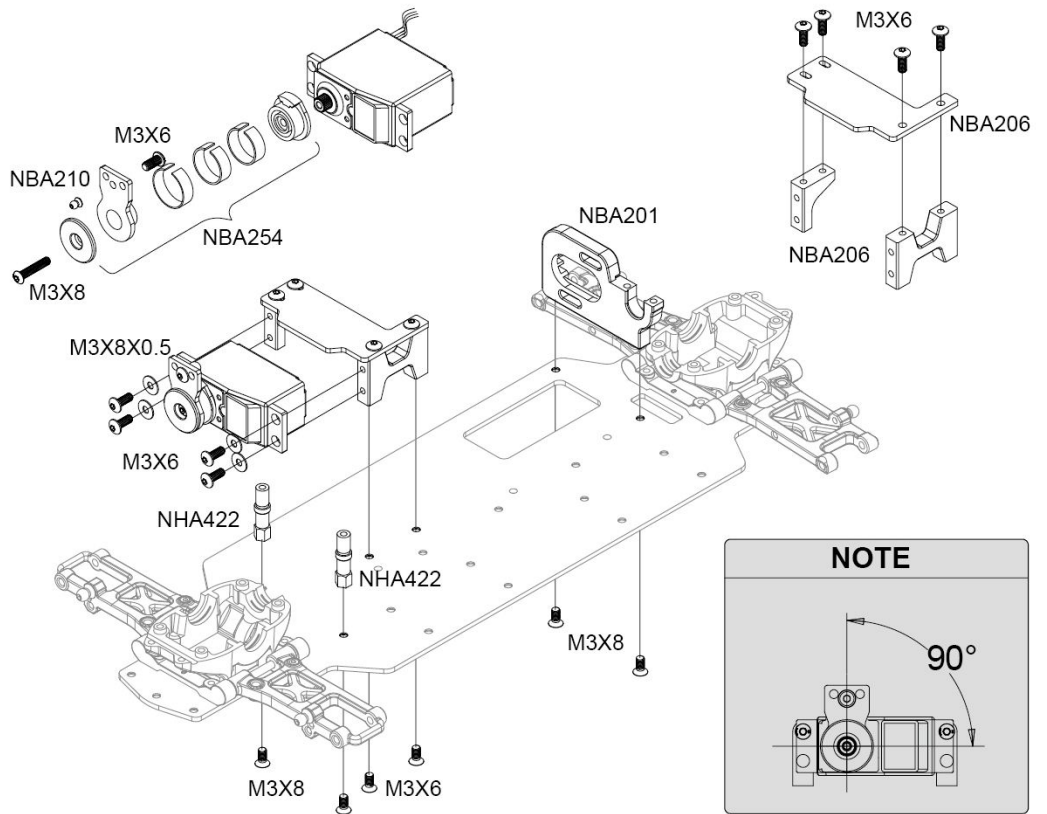
X9

NBA254  
(Black)

X1

NBA254  
(Silver)

X2

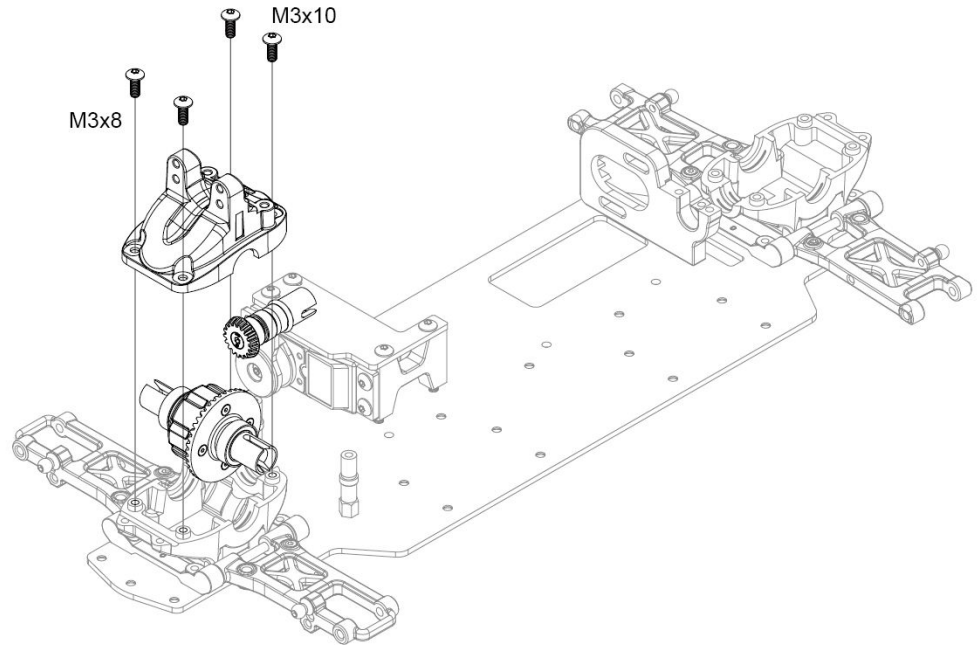


1: Switch on transmitter  
2: Connecting battery and turn on ESC switch





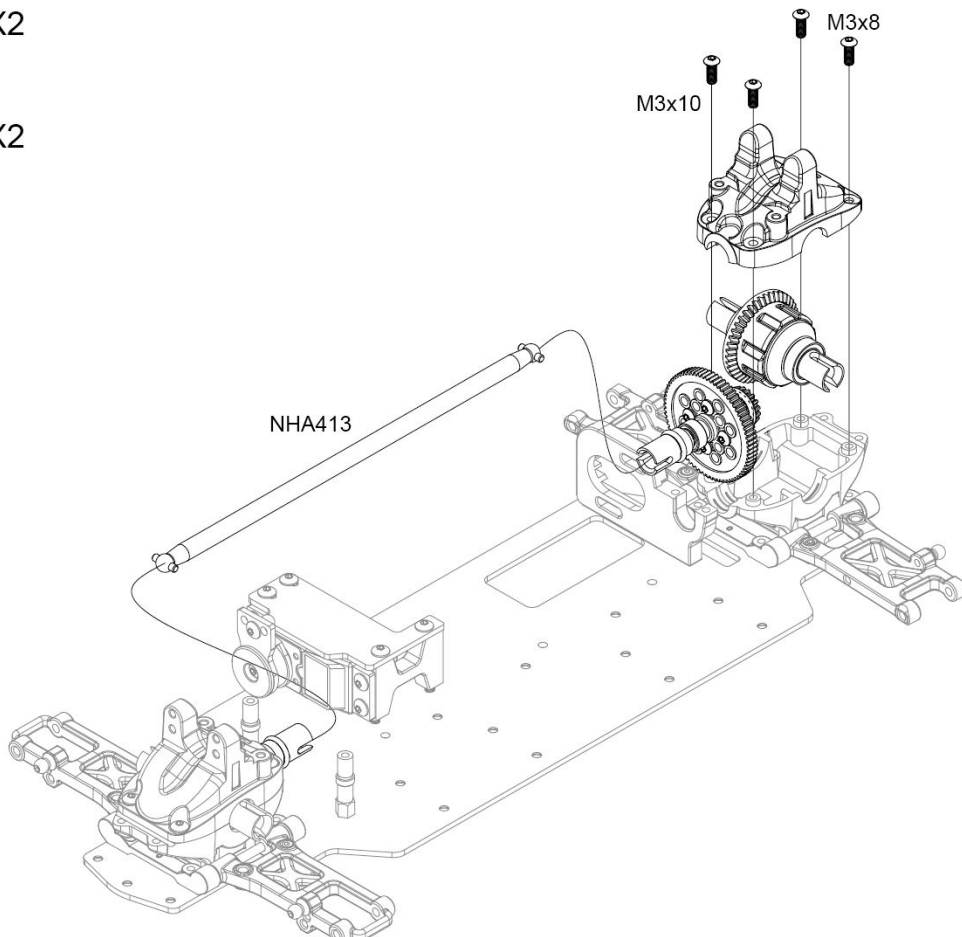
## 11

-  X2  
NBA283  
M3×10mm
-  X2  
NBA282  
M3×8mm



## 12

-  X2  
NBA283  
M3×10mm
-  X2  
NBA282  
M3×8mm





## 13

 X2  
NBA284  
M3×12mm

 X2  
NBA282  
M3×8mm

 X3  
NBA210  
3×8mm

  X2  
NHA406

 X1  
NBA289  
M3×8mm

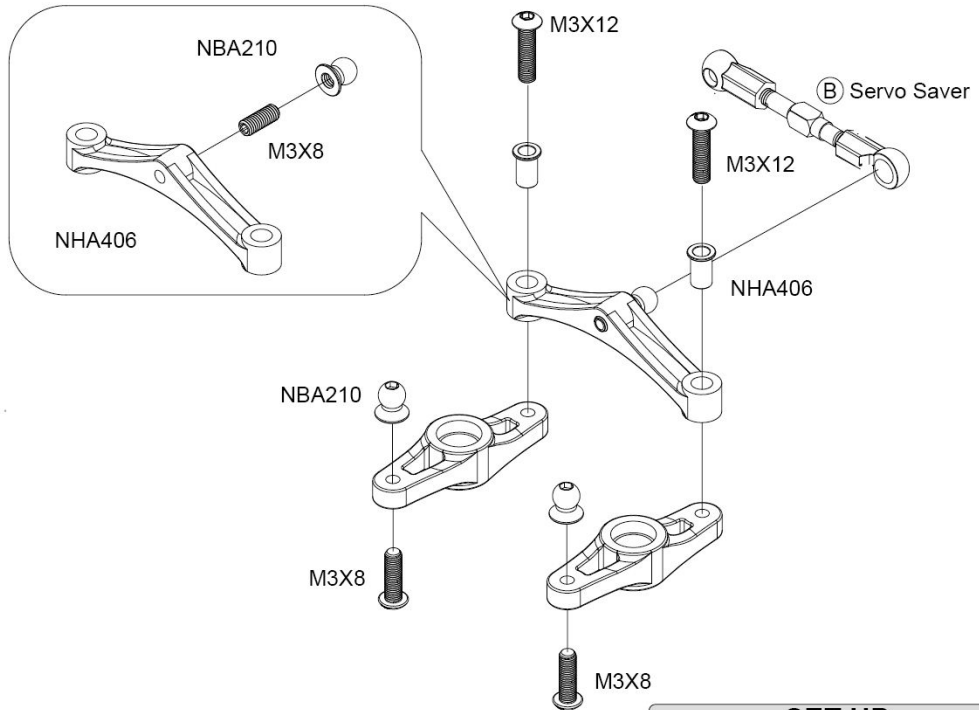
X2

X2

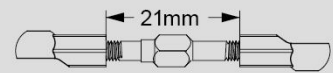
X3

X2

X1



### SET UP



(B) x1 - Servo Saver

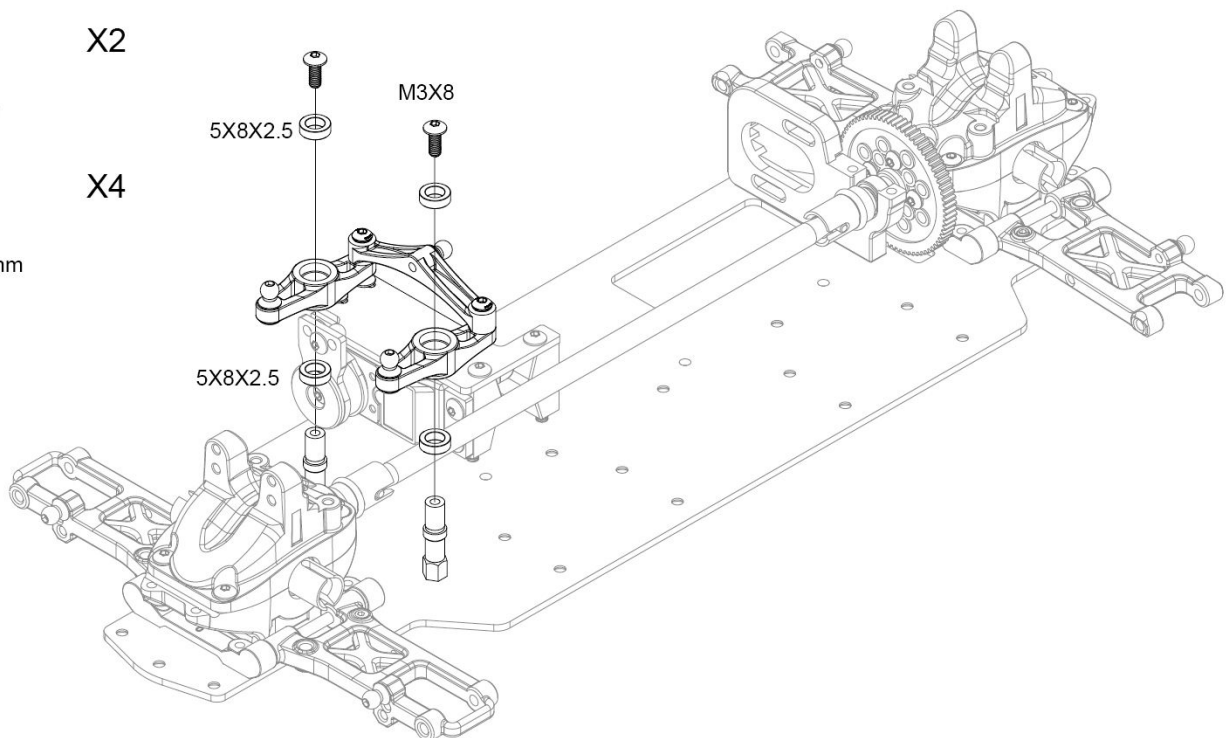
## 14

 X2  
NBA282  
M3×8mm

 X4  
NBA297  
5×8×2.5mm

X2



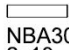




X4

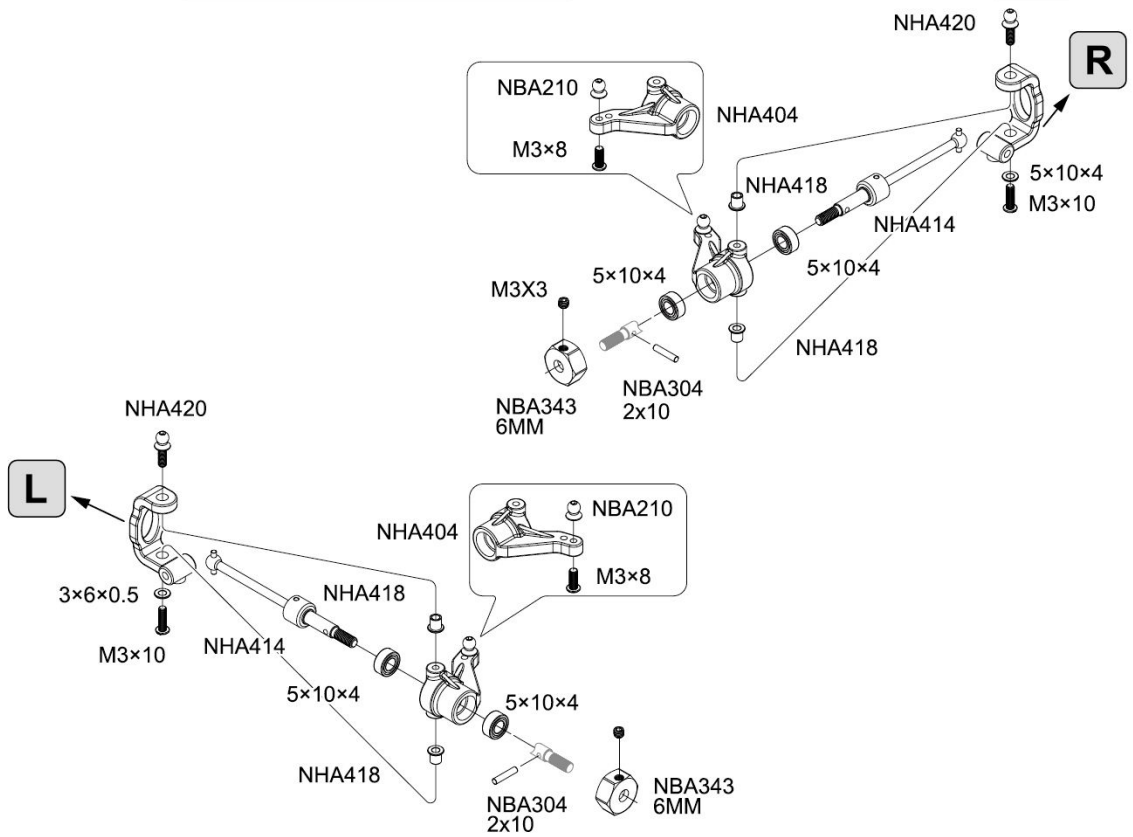





## T410R

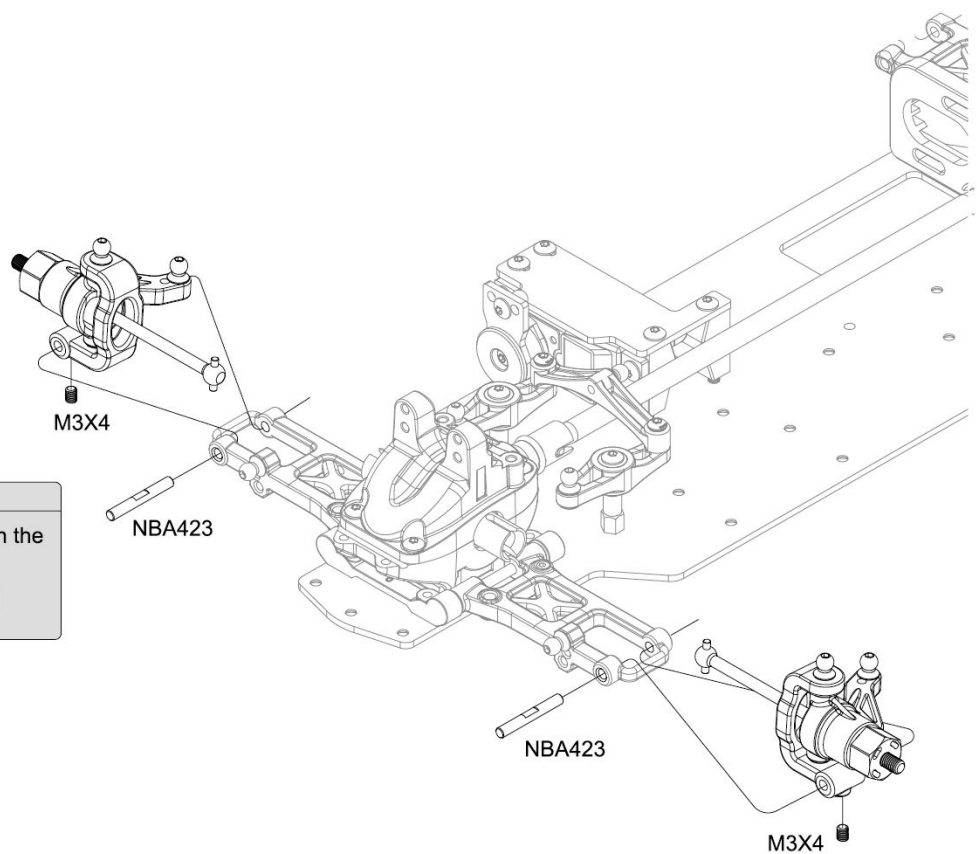
15

-  X2  
NBA282  
M3x8
-  X2  
NBA283  
M3x10
-  X2  
NBA304  
2x10
-  X2  
NBA298  
5x10x4
-  X2  
NHA419
-  X4  
NBA210
-  X4  
NHA420  
4.8x9




16

-  X2  
NBA288  
M3x4
-  X2  
NBA423  
3x26



**NOTE**  
Tight Grub screw on the groove of the pin





## T410R

17



NBA298  
5x10x4

X4



NBA210

X2



NBA290  
M3x10

X2



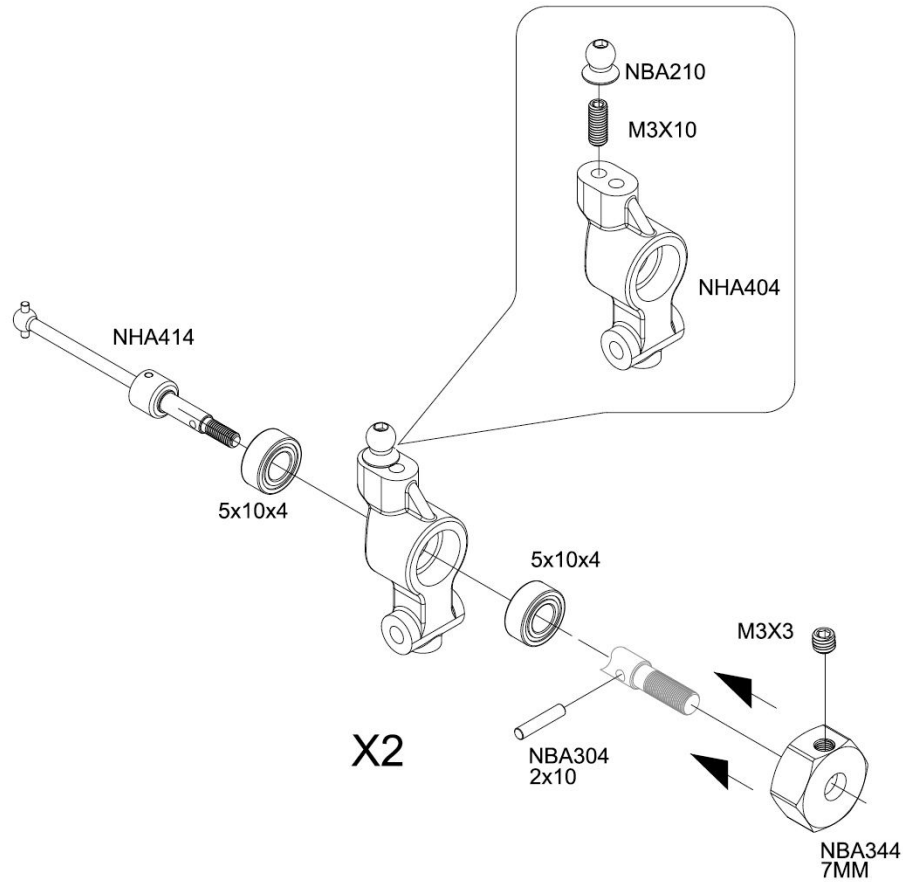
NBA304  
2x10

X2



NBA287  
M3x3

X2



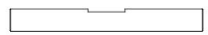
X2

18



NBA288  
M3x4

X2



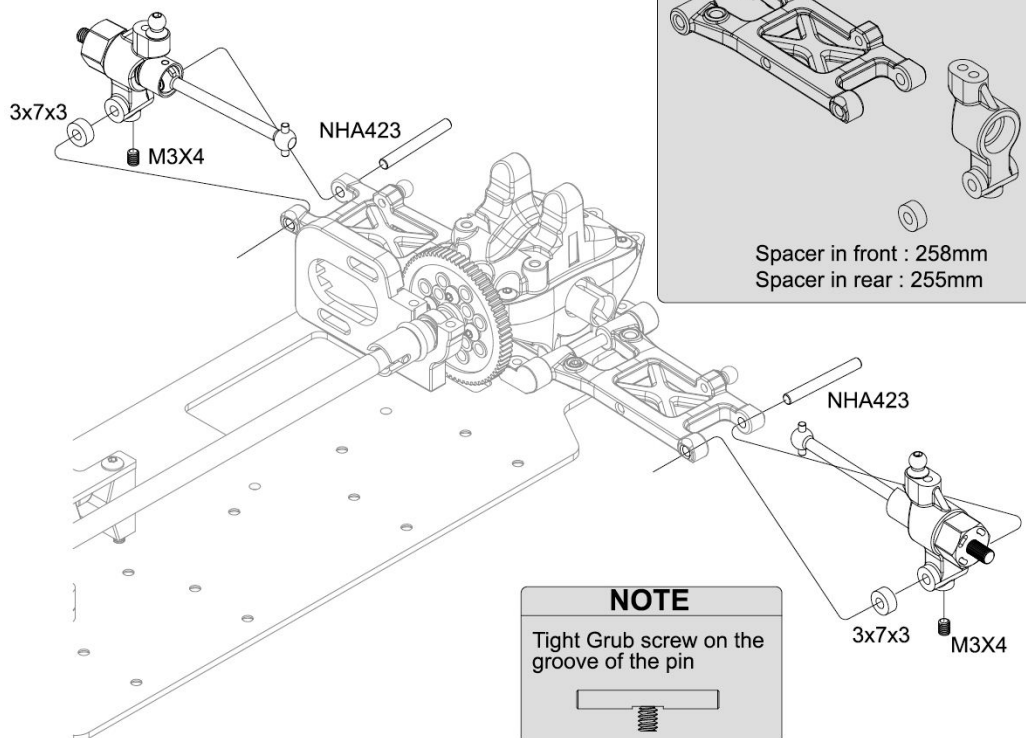
NHA423  
3x26

X2



3x7x3

X2



### Adjustable Wheelbase

Spacer in front : 258mm  
Spacer in rear : 255mm

### NOTE

Tight Grub screw on the groove of the pin





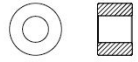
## T410R

**19**



X4

NBA210



X2

3x6x4



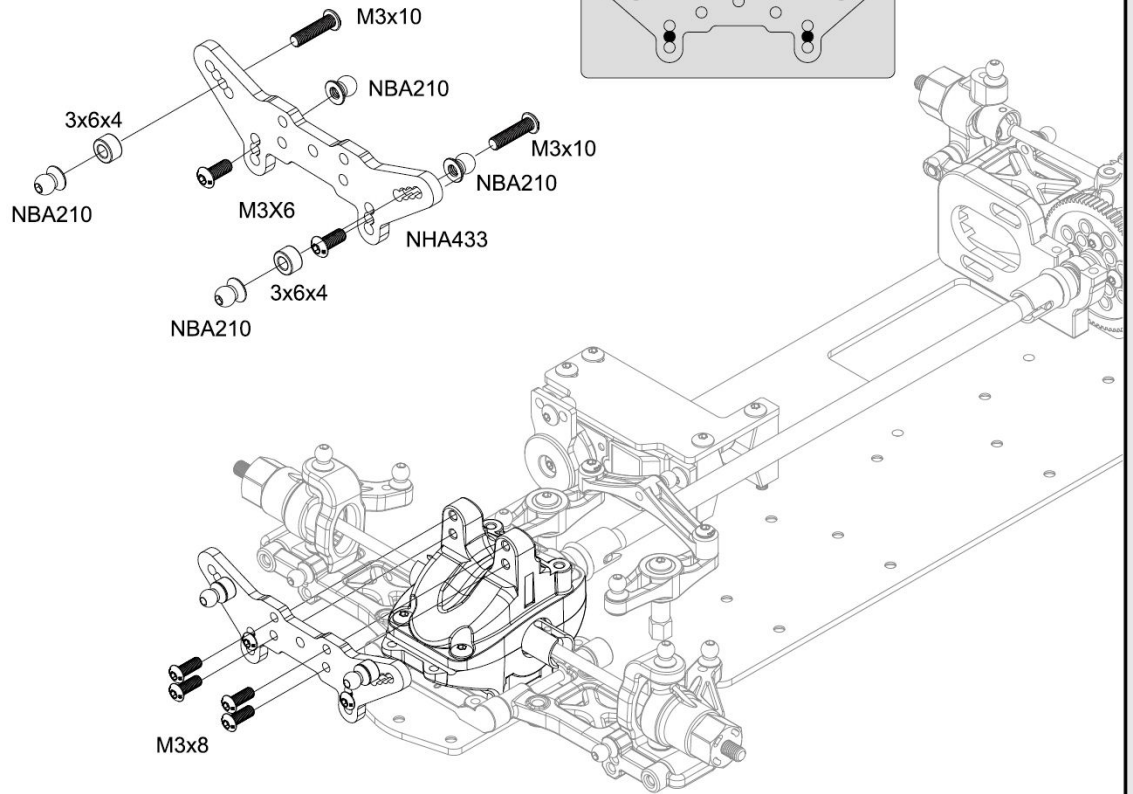
X2

NBA283  
M3x10



X6

NBA282  
M3x8



**20**



X4

NBA210



X2

3x6x4



X8

NBA282  
M3x8



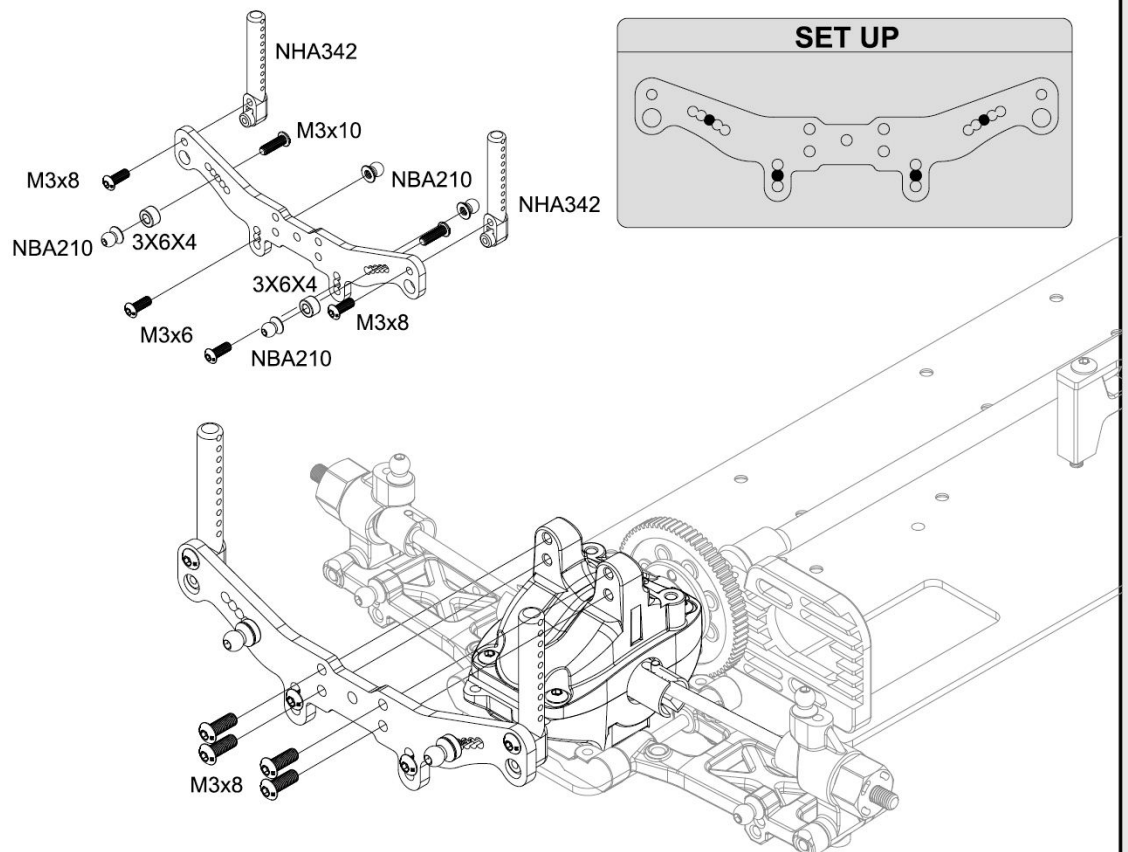
X2

NBA283  
M3x10



X2

NBA281  
M3x6

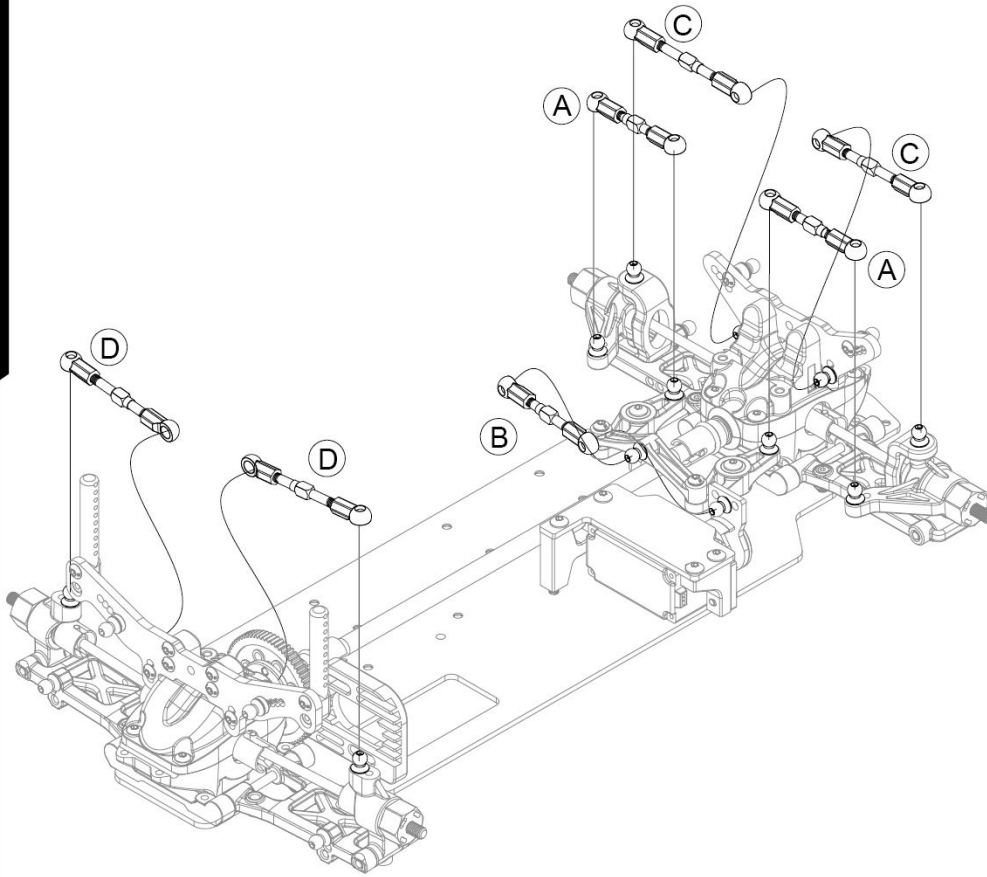






21

## T410R



**SET UP**

→ 15.4mm ←  
  
**A** x2 - Steering

← 21mm →  
  
**B** x1 - Servo Saver

← 24mm →  
  
**C** x2 - Front upper

← 25.8 mm →  
  
**D** x2 - Rear upper

22



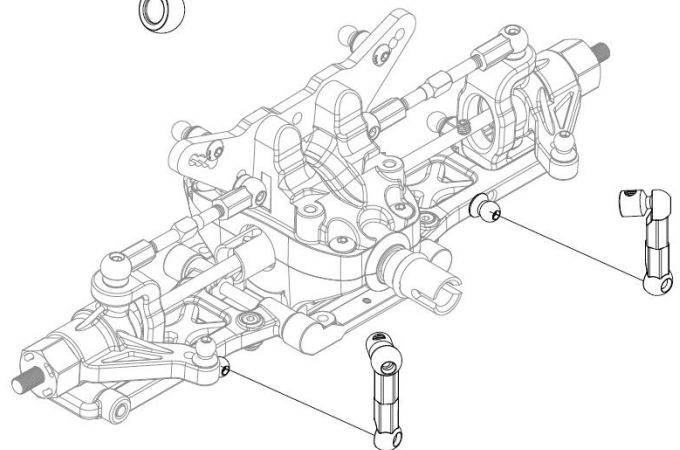
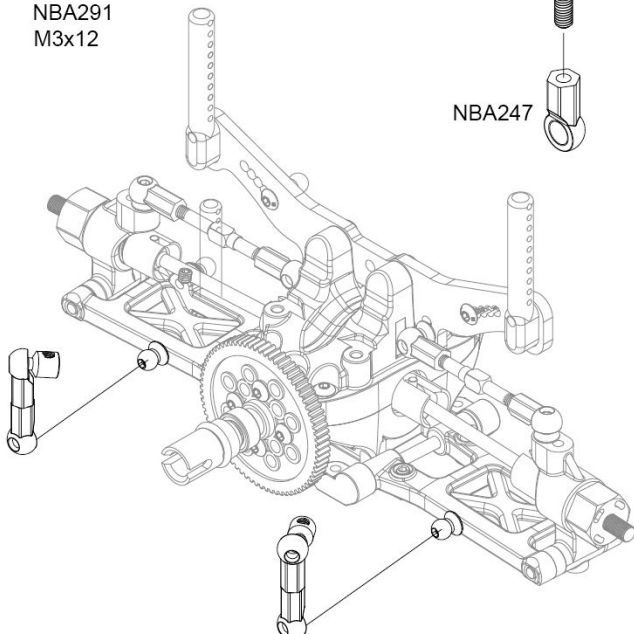
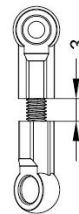
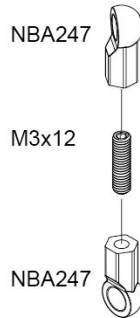
X8

NBA247



X4

NBA291  
M3x12



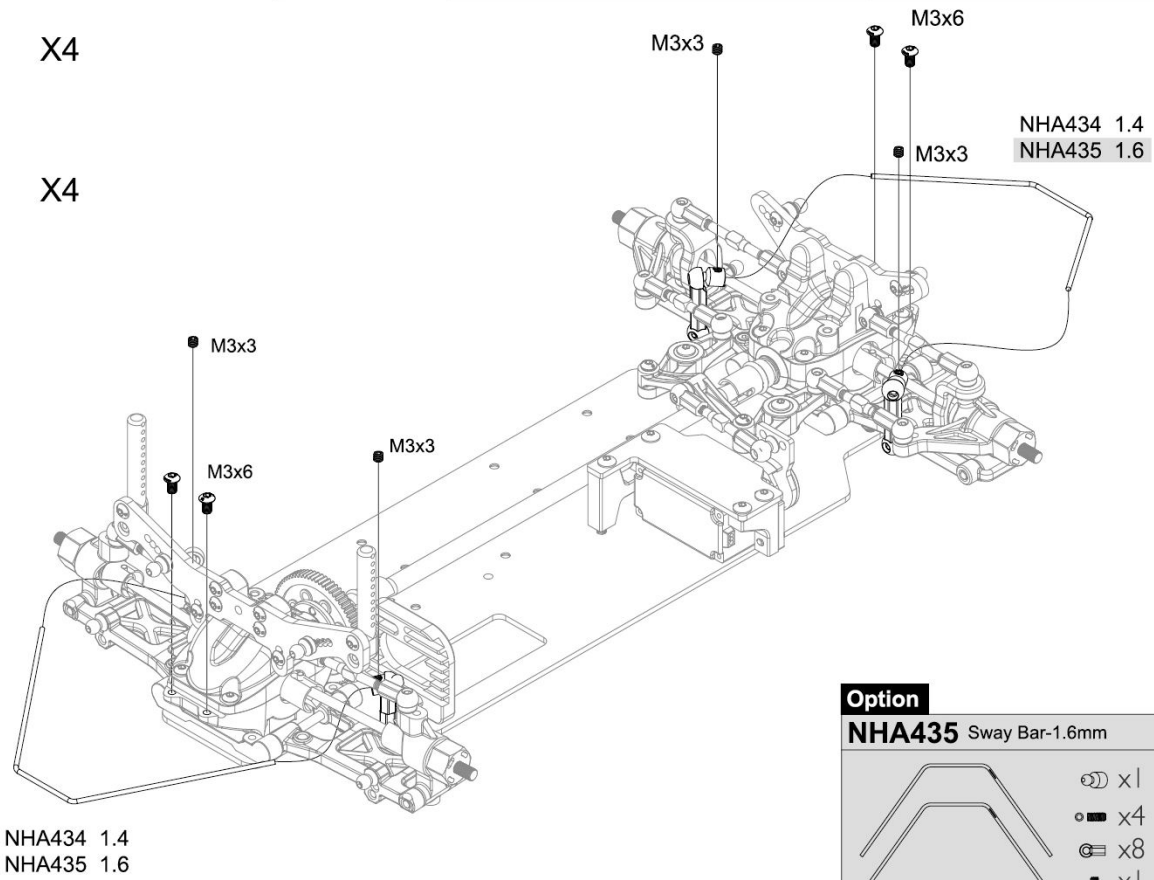


## T410R


**23**

 X4  
NBA287  
M3x3

 X4  
NBA281  
M3x6

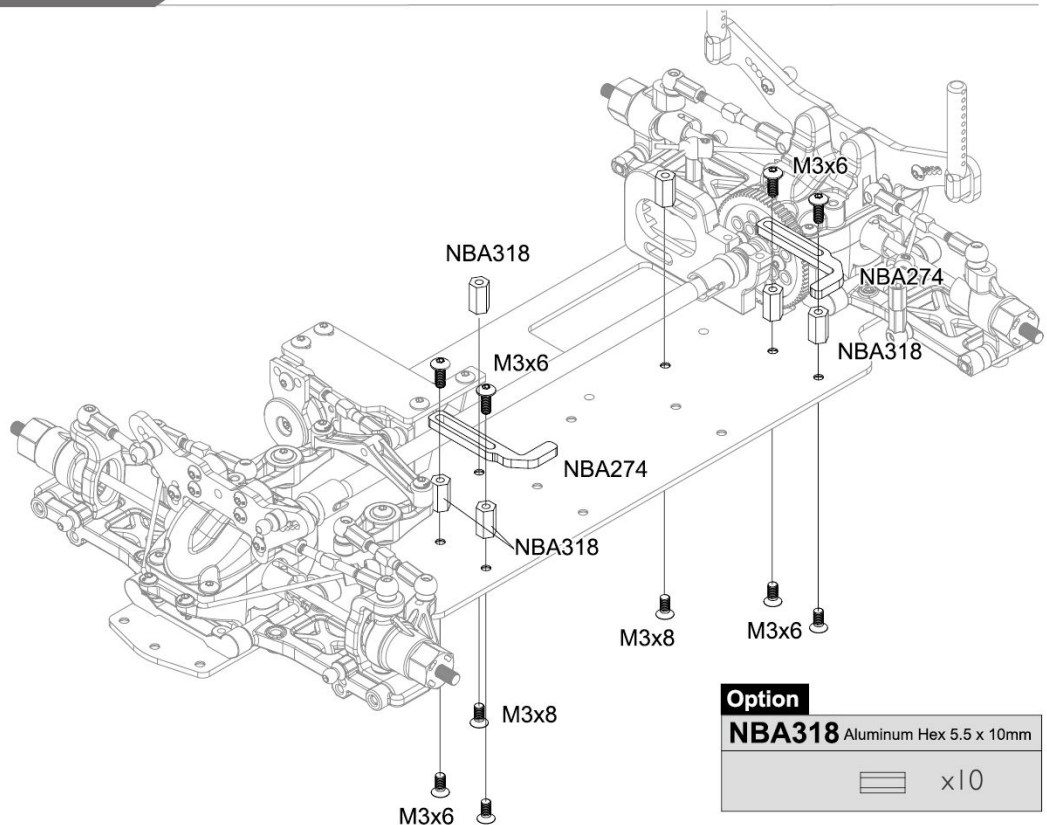


**24**

 X4  
NBA281  
M3x6

 X2  
NBA280  
M3x8

 X4  
NBA279  
M3x6



## 25

 X1

NBA281  
M3x6

 X5

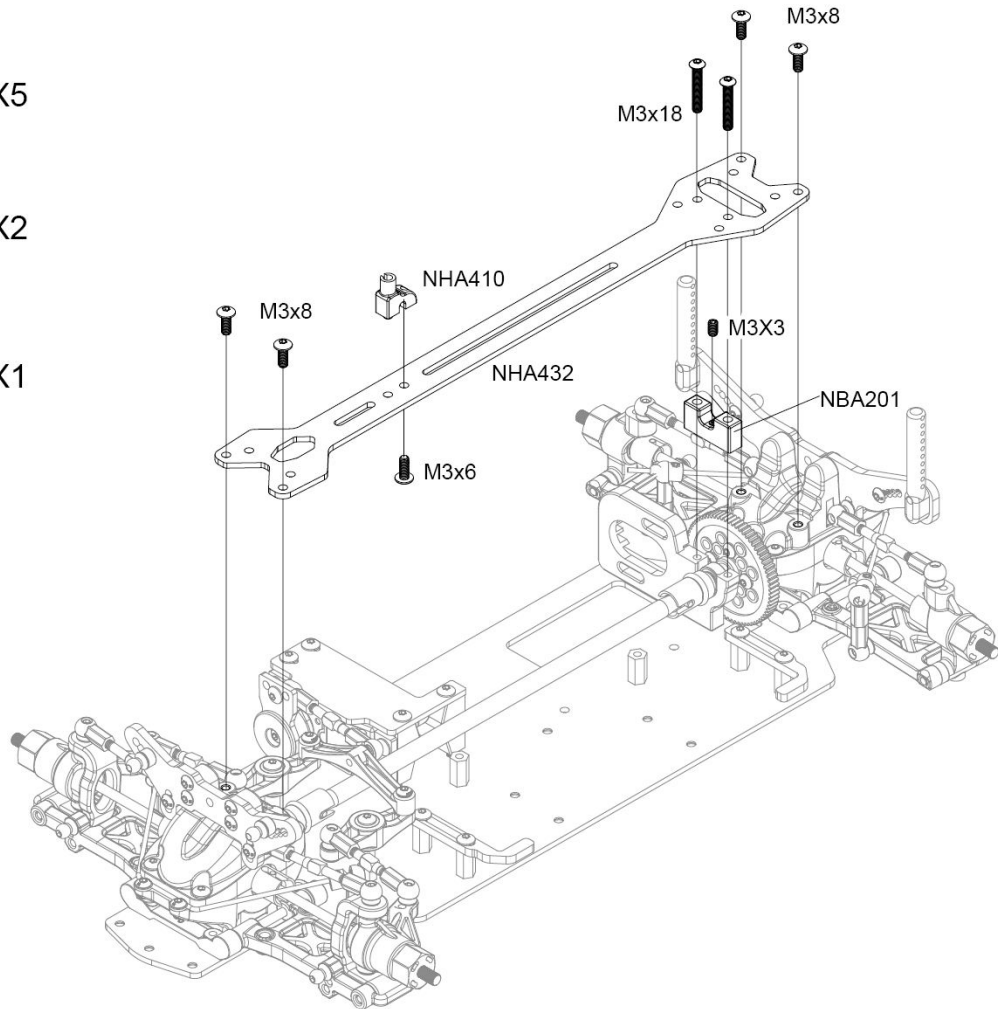
NBA282  
M3x8

 X2

NBA285  
M3x18

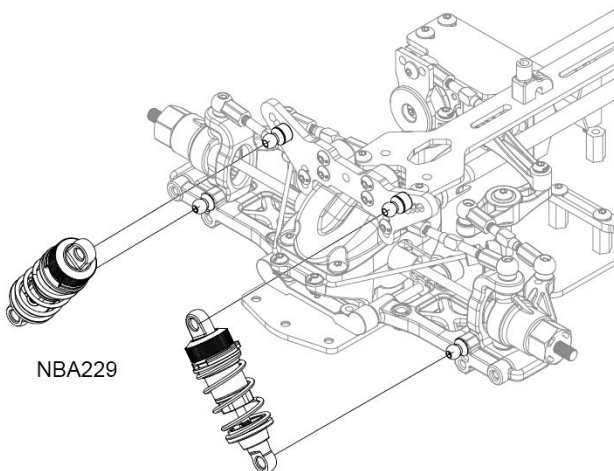
 X1

NBA287  
M3x3



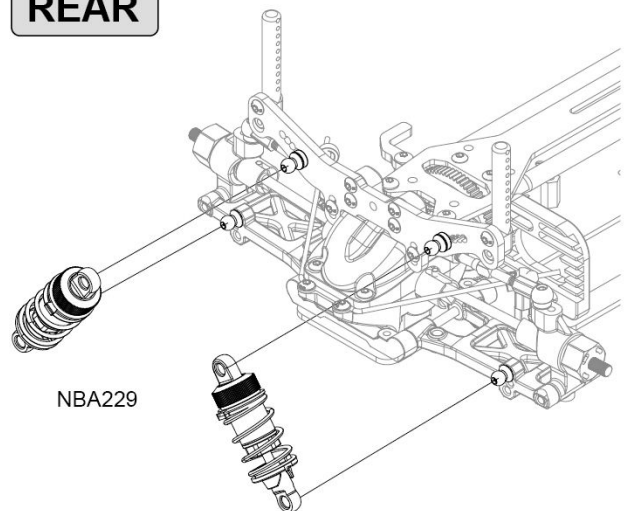
## 26

**FRONT**



NBA229

**REAR**



NBA229



 X2

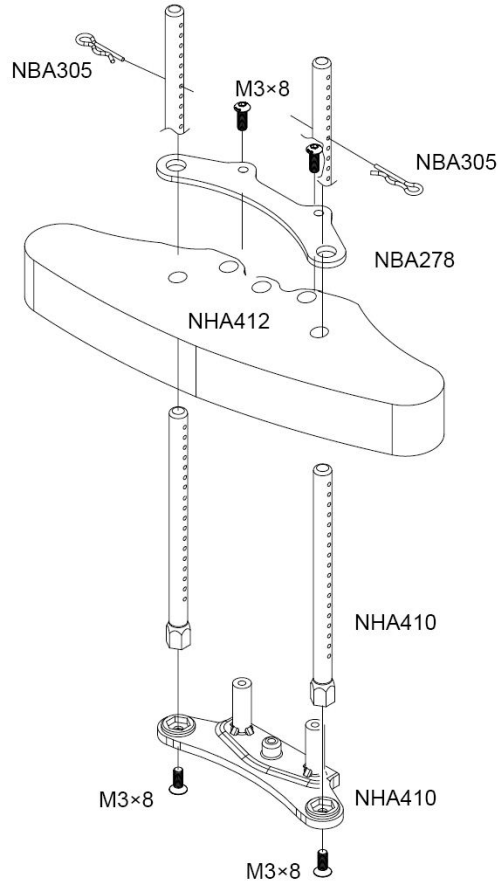
NBA305

 X2

NBA282  
M3×8mm

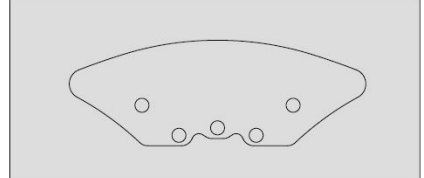
 X2

NBA280  
M3×8mm

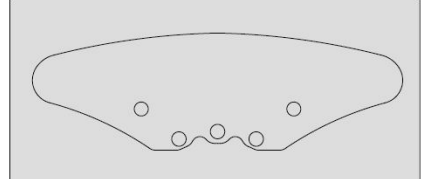


### Option

**NBA336** Bumper For Touring Car Body



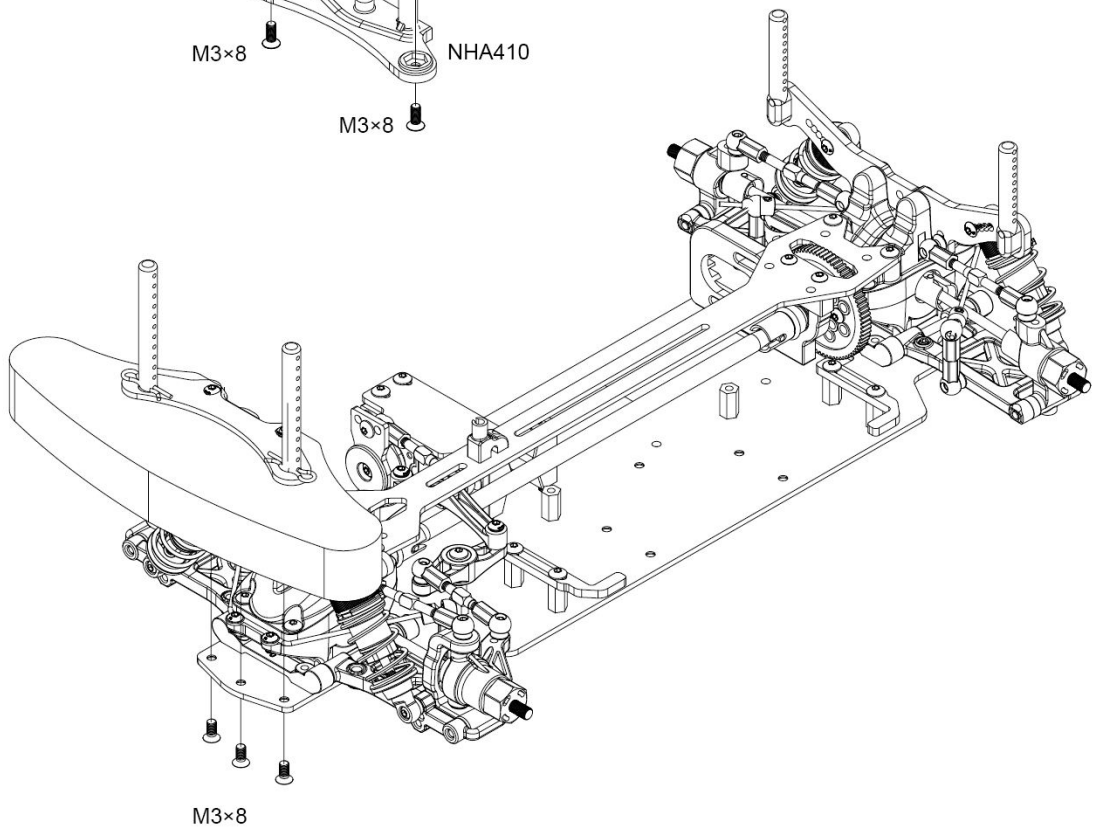
**NHA412** Bumper For Touring Car Body




There are two sizes of bumper that Allowed to fit Different kind of Body shell.

 X3

NBA280  
M3×8mm

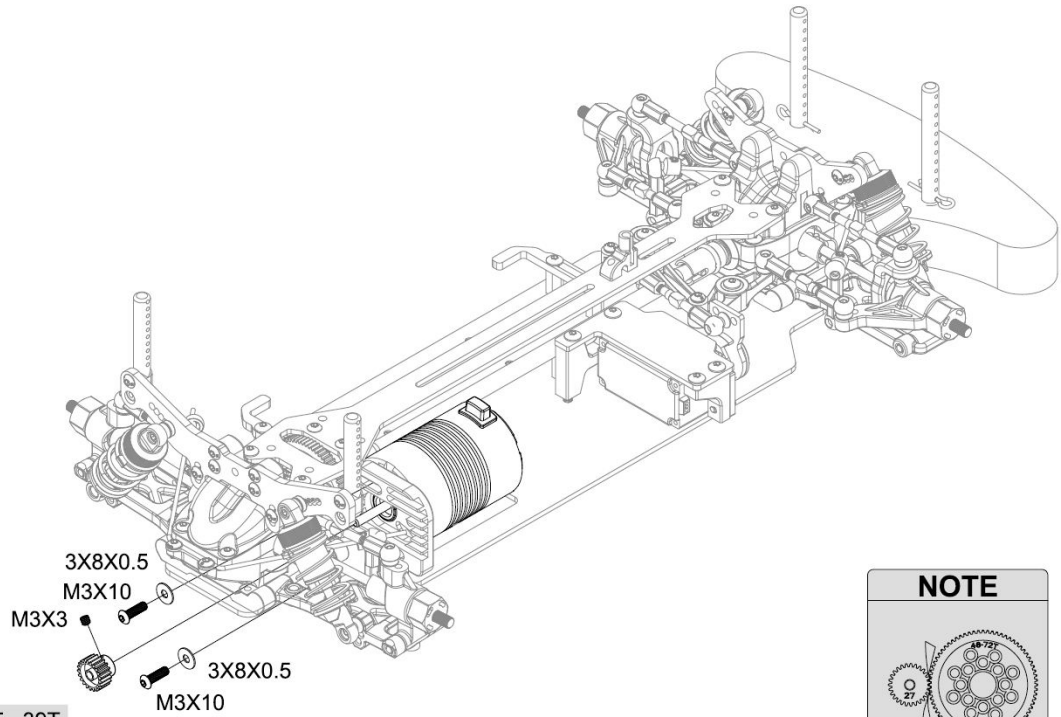


**28**

 X2  
NBA283  
M3x10mm

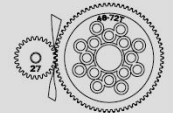
 x2  
NBA302  
3X8X0.5

 x1  
NBA287  
M3x3



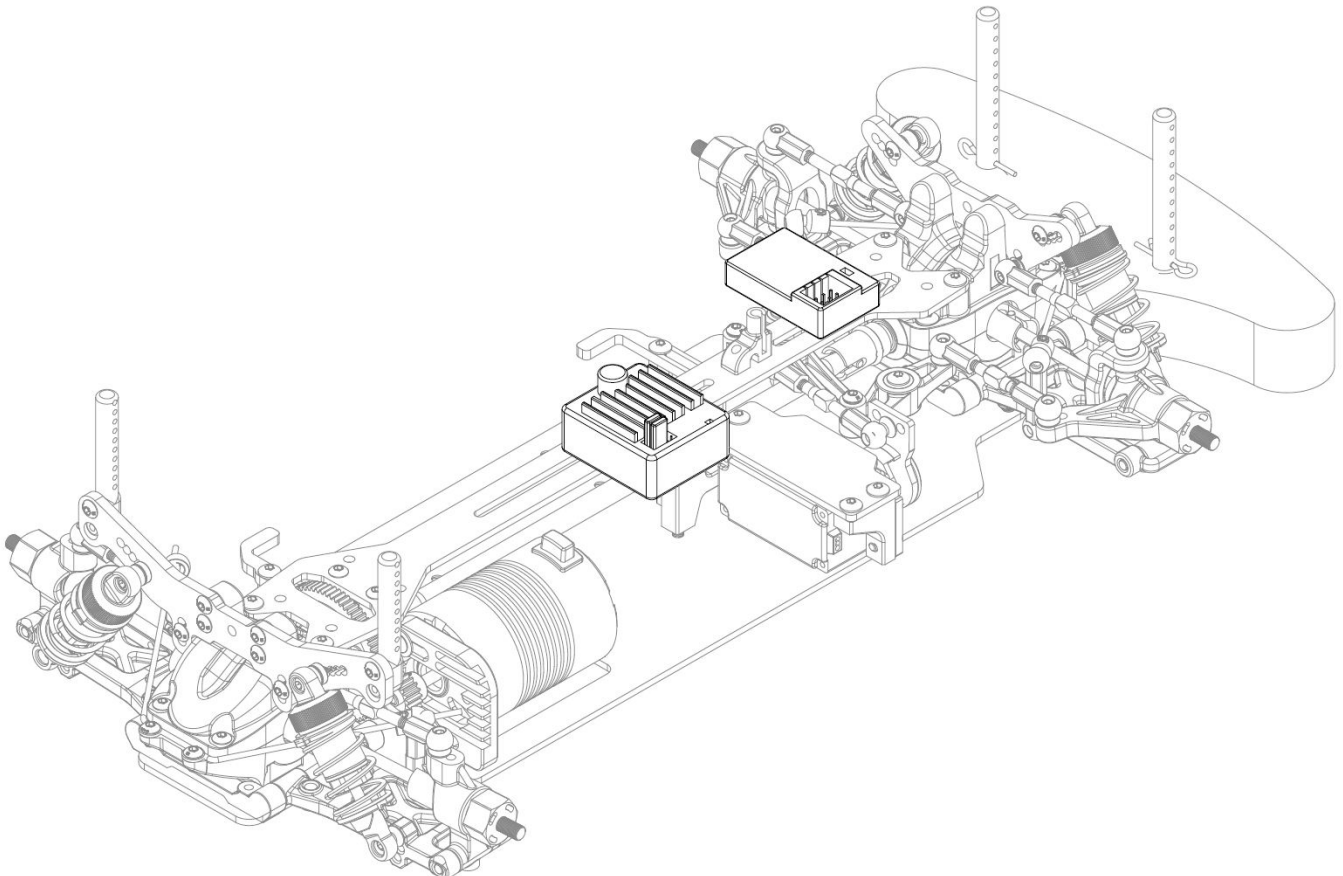
NBA215 39T  
NBA216 31T  
NBA218 27T

**NOTE**



Insert a sheet of paper before installing.

**29**





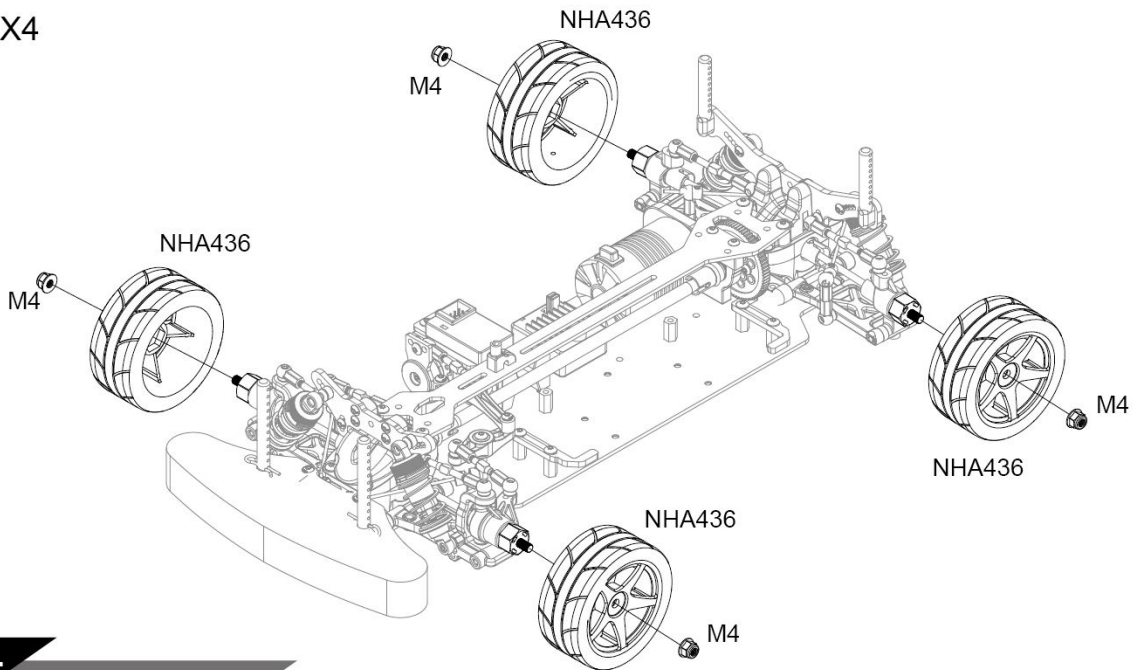


**30**



X4

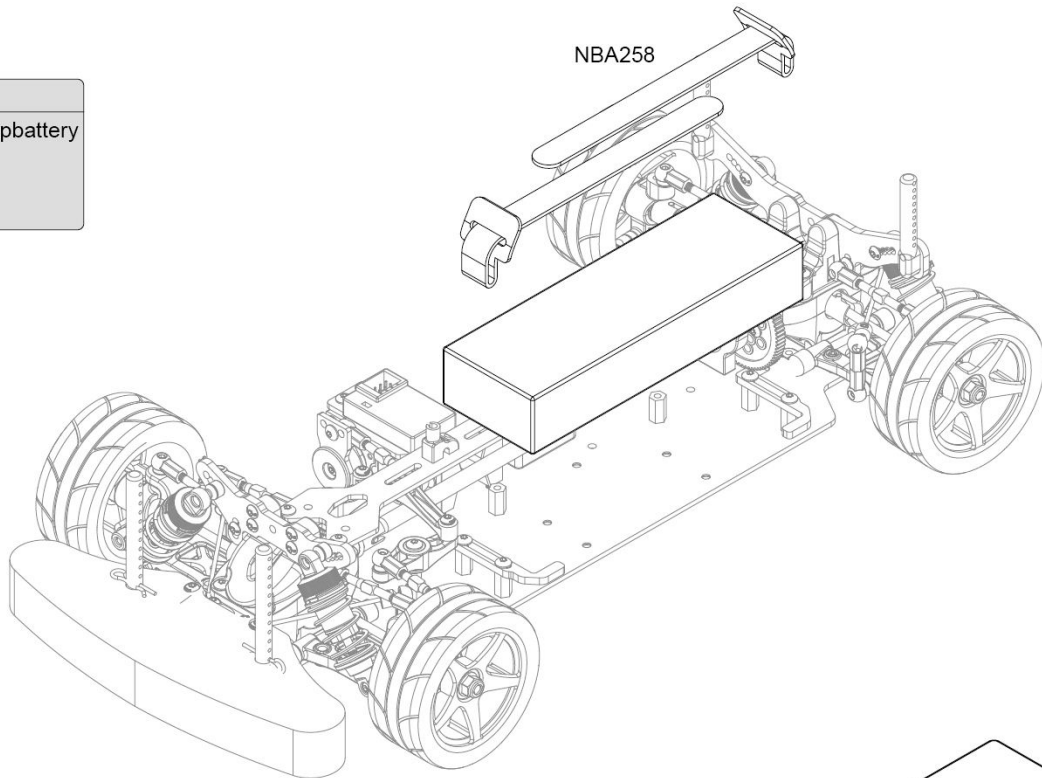
NBA295  
M4



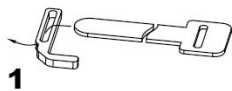
**31**

**NOTE**

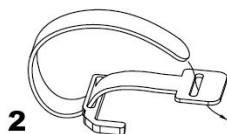
Comptible with Lipbattery  
L=138m  
W=46mm  
H=25mm



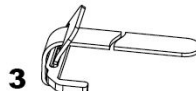
**FRONT**



1

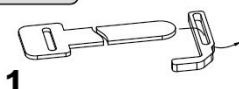


2

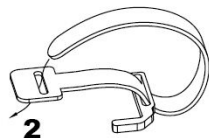


3

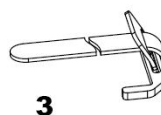
**REAR**



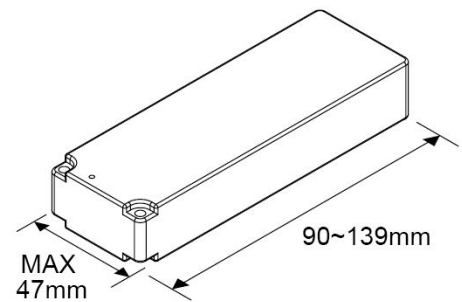
1



2



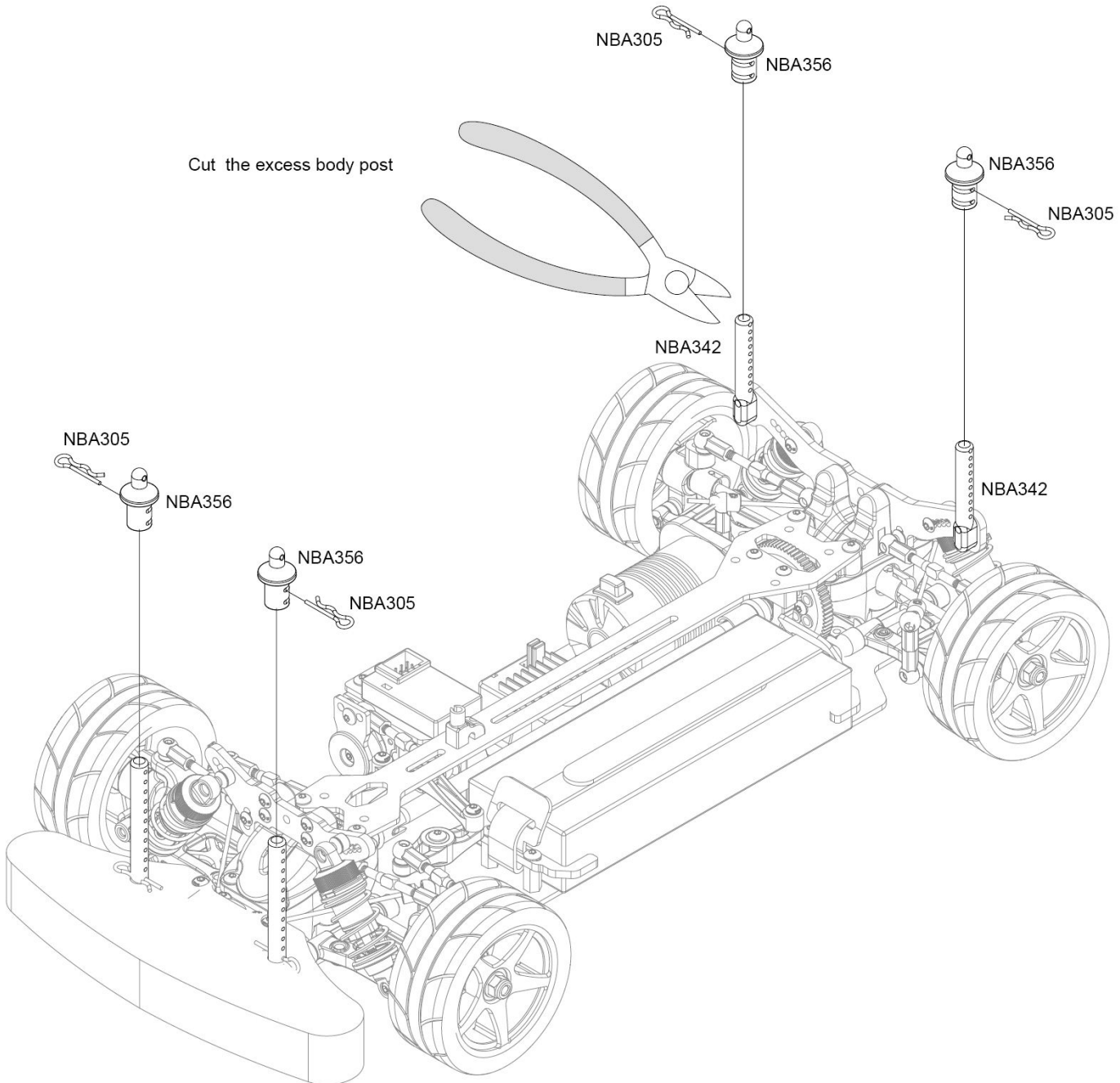
3





X4


NBA305

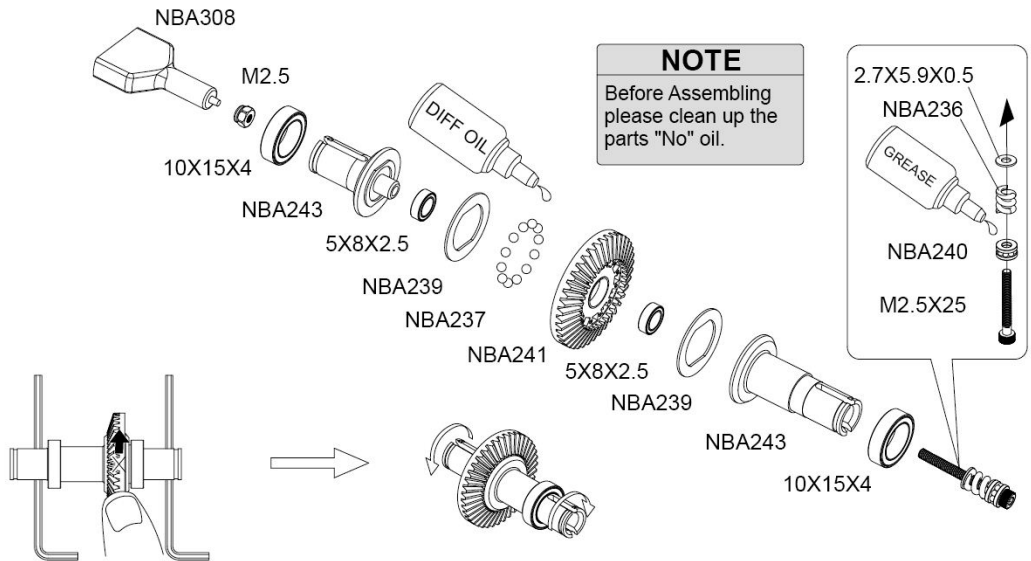




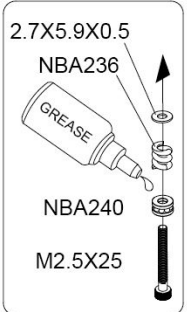
## T410

1

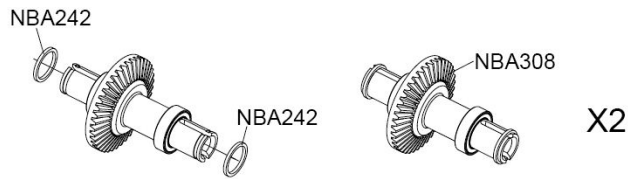
-  X1  
NBA236
-  X1  
NBA240  
2.6×6×3mm
-  X2  
NBA297  
5×8×2.5mm
-  X2  
NBA299  
10×15×4mm
-  X1  
NBA238  
M2.5×2.5mm
-  X1  
NBA238  
M2.5
-  X12  
NBA237  
3/32"
-  X1  
NBA236  
2.7× 5.9× 0.5mm



**NOTE**  
Before Assembling  
please clean up the  
parts "No" oil.



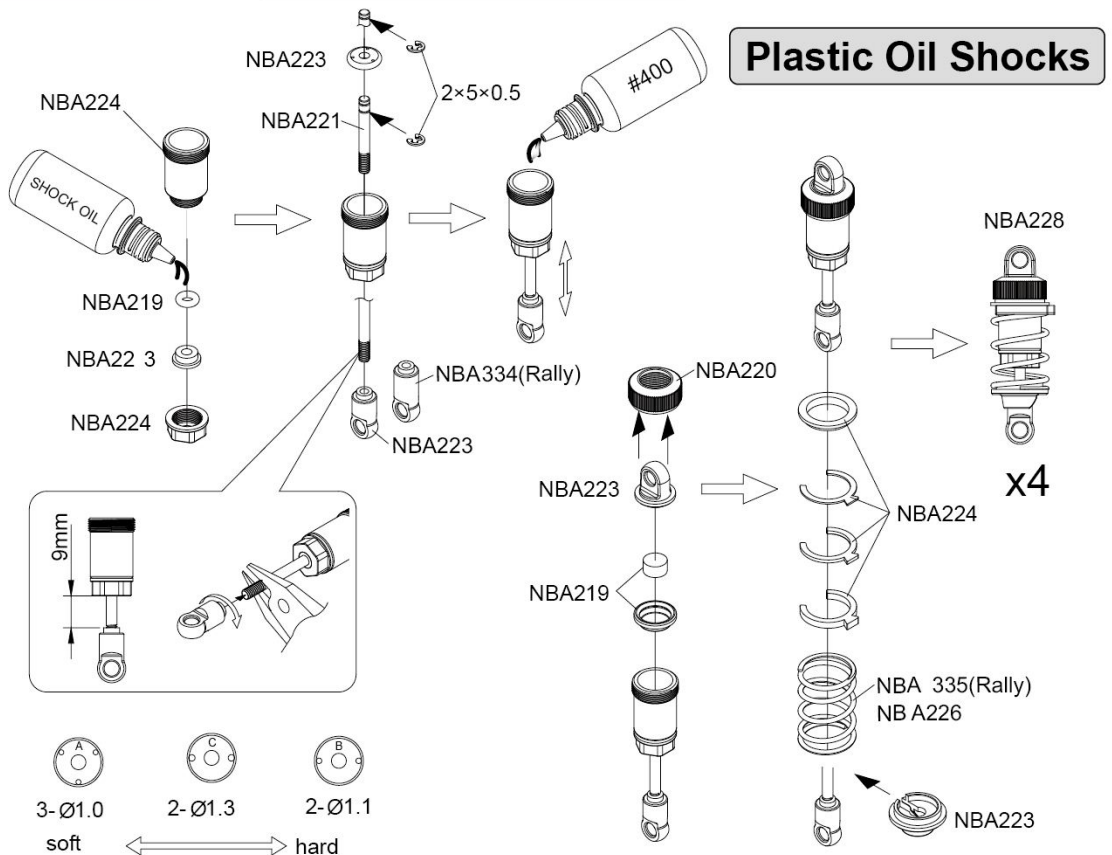
**NOTE**  
The differential should be tightened until the gear  
cannot be rotated when both of the diff hubs are held.  
The differentials should turn smoothly after assembling.



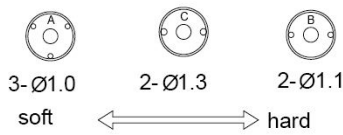
**BALL DIFF**

2

-  X2  
NBA221  
2×5×0.5mm
-  X1  
NBA221
-  X1  
NBA219  
2.9×6.6mm
-  X1  
NBA223
-  X1  
NBA219



**Plastic Oil Shocks**

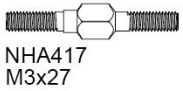




## 3



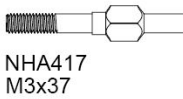
X14



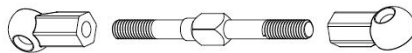
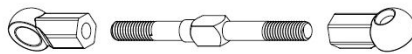
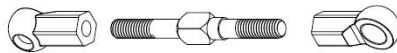
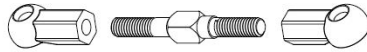
X2



X1



X4



**SET UP**

→ 15.4mm ←

Ⓐ x2 - Steering

← 21mm →

Ⓑ x1 - Servo Saver

← 24mm →

Ⓒ x2 - Front upper

← 25.8 mm →

Ⓓ x2 - Rear upper

## 4



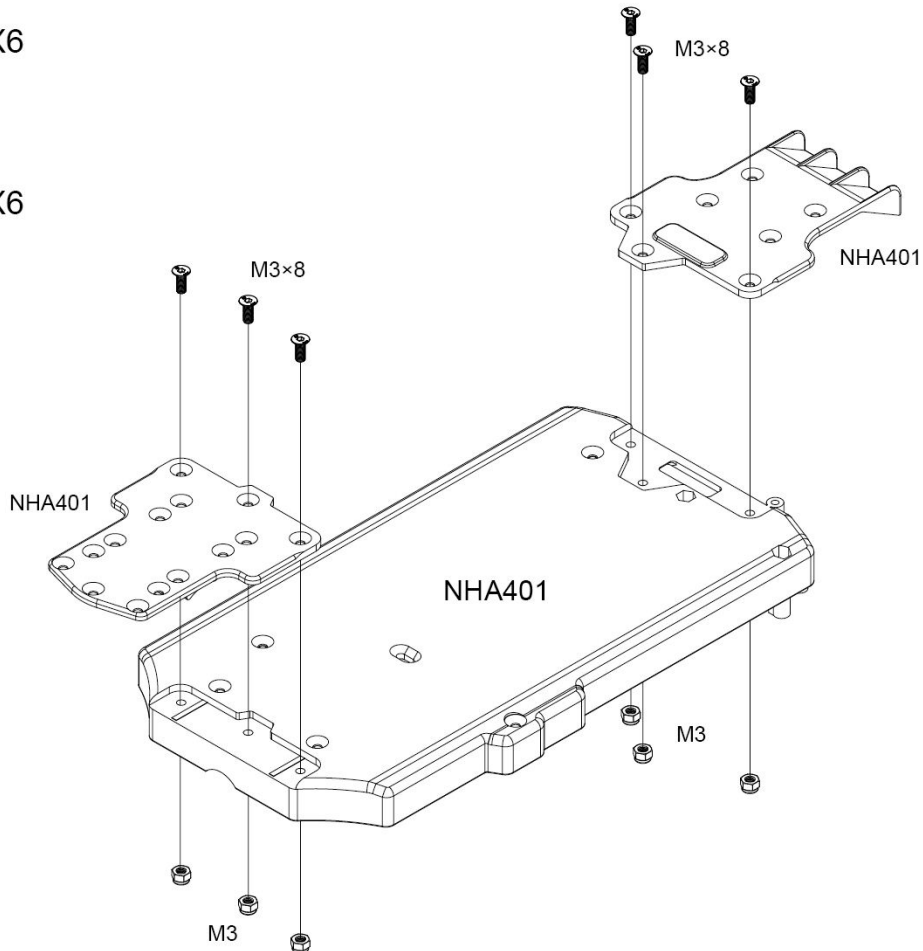
X6

NBA280  
M3×8mm



X6

NBA294  
M3





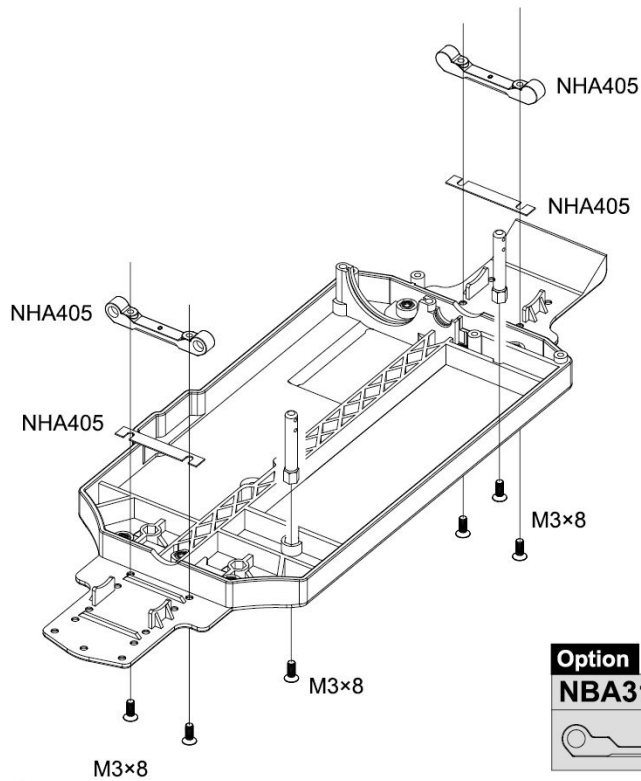


## T410

5

 X6

NBA280  
M3×8mm



**Option**

**NBA314** Pivot Block (ALUMINUM) 0°



6



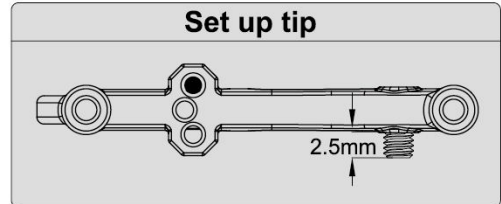
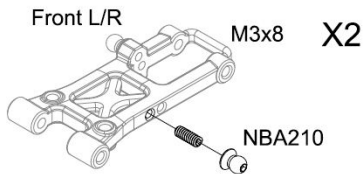
X8

NBA210  
3×8mm



X8

NBA211



NHA423  
3X42

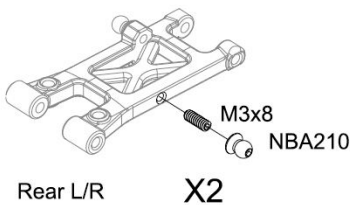
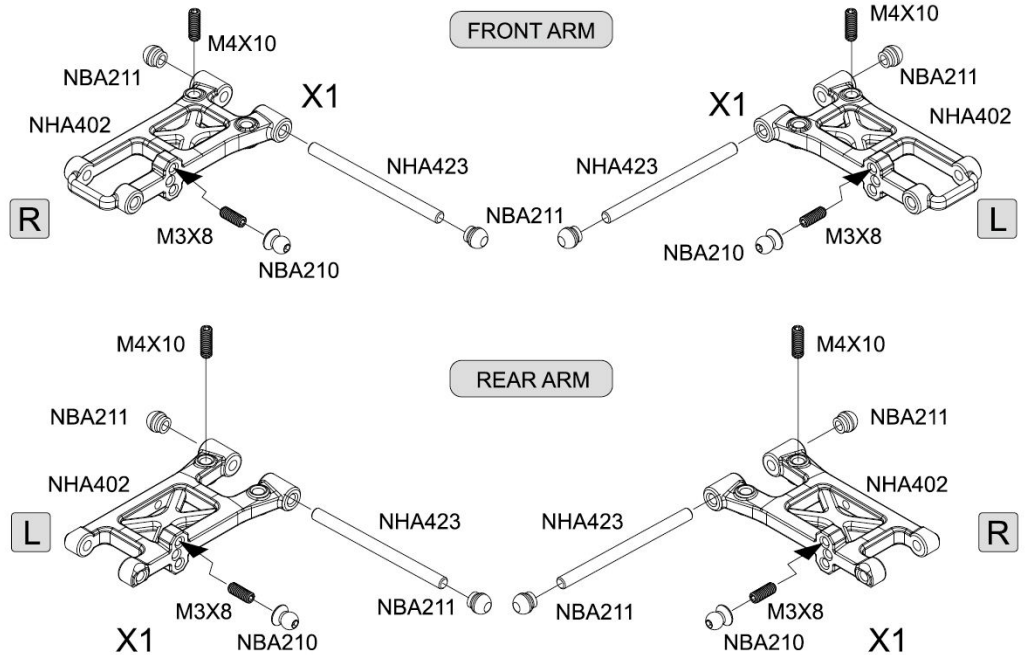
X4

NBA289  
M3×8mm

X8


NBA430  
M4×10mm

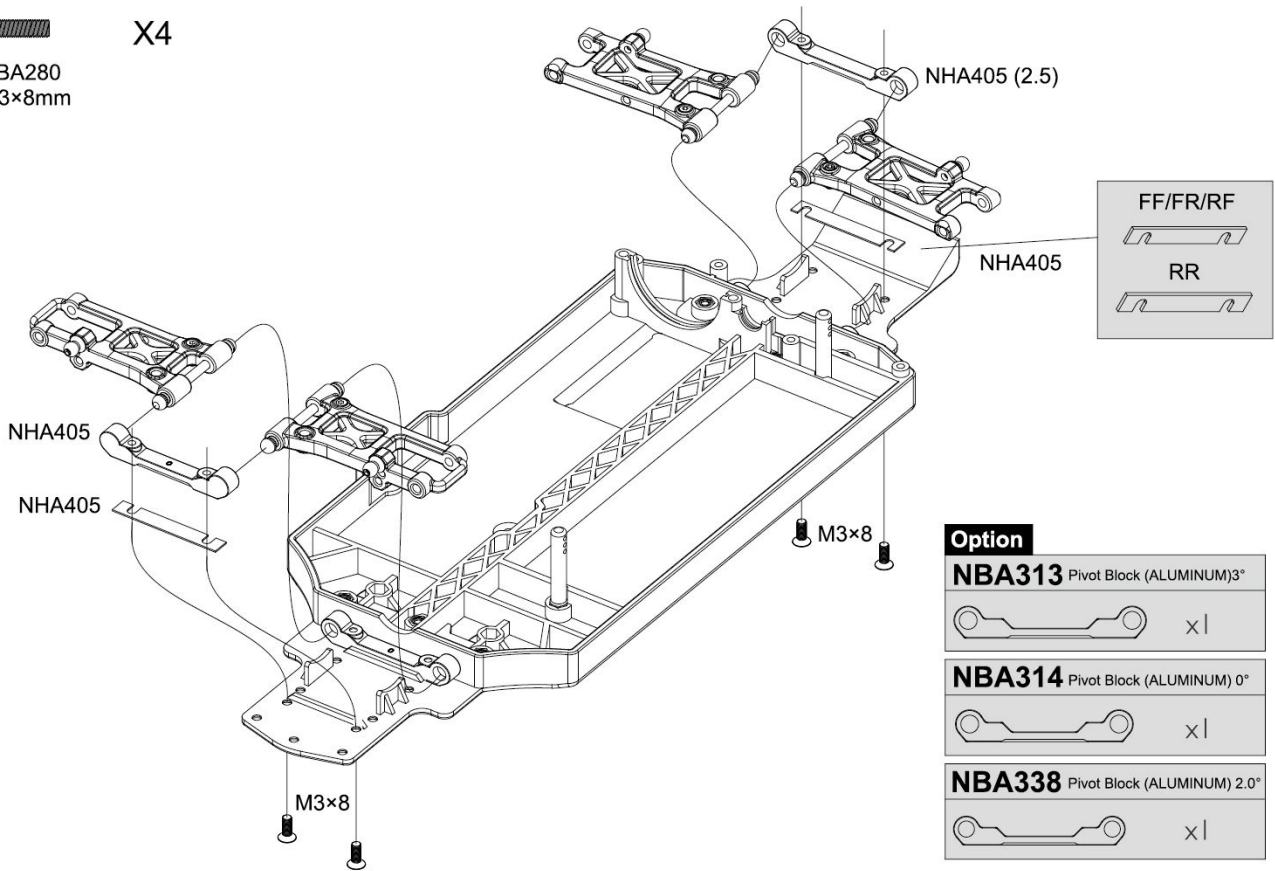
X4

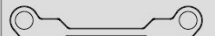










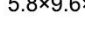
7

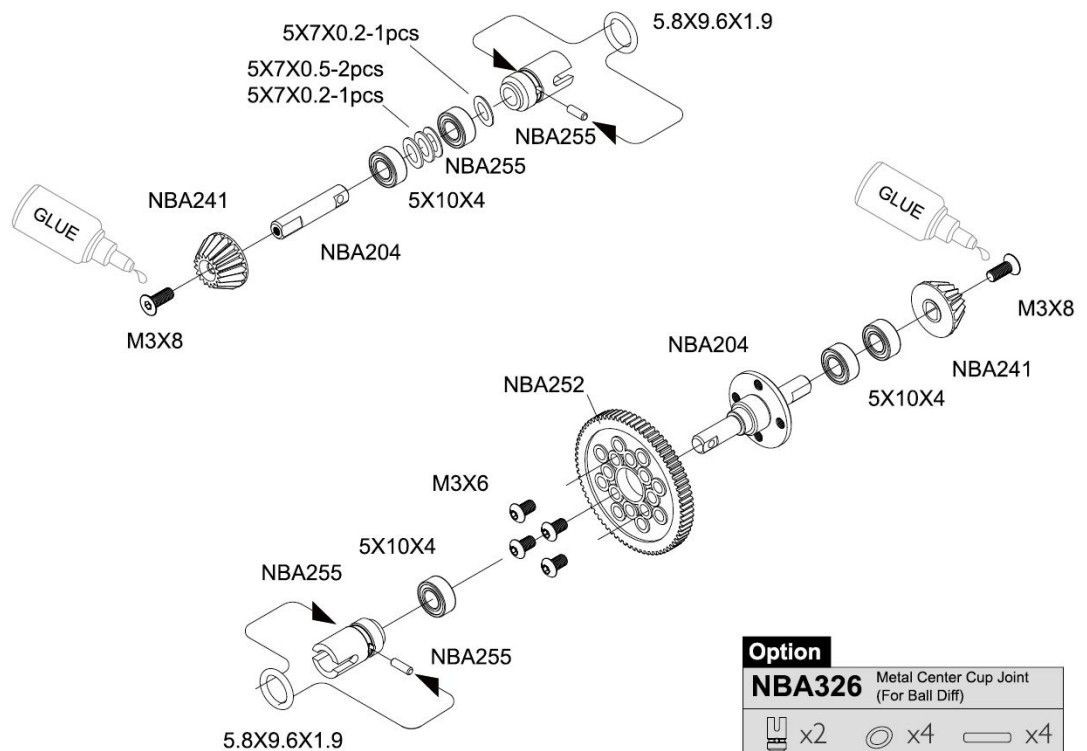
-  X4  
NBA280  
M3×8mm




Option	
	x1
	x1
	x1

8

-  X1  
NBA281  
M3×6mm
-  X2  
NBA280  
M3×8mm
-  X5  
NBA298  
5×10×4mm
-  X2  
NBA306  
5.8×9.6×1.9mm
-  X2  
NBA255  
2×7.6mm



Option	
	x2
	x4
	x4



## T410

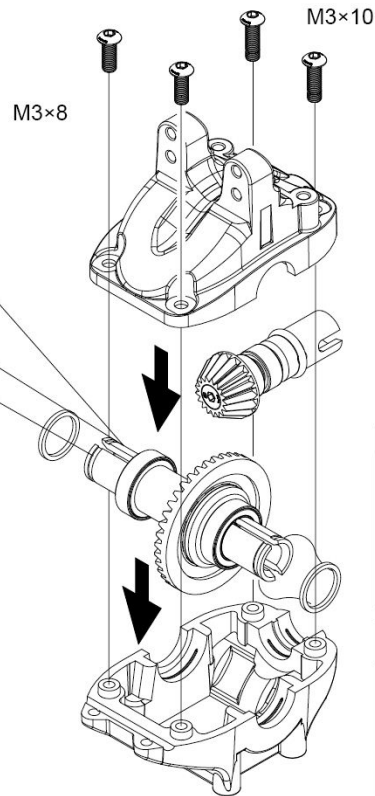
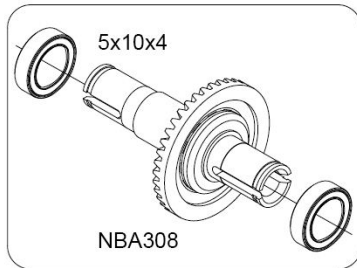
9

 X2  
NBA283  
M3×10mm

 X2  
NBA282  
M3×8mm

X2

X2



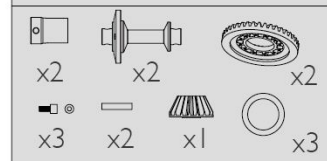
**FRONT**

**Option**

**NBA309** Ball Differential (Metal)



**NBA321** Solid Axle (40T/17T Plastic)



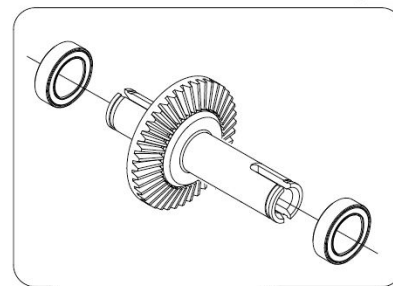
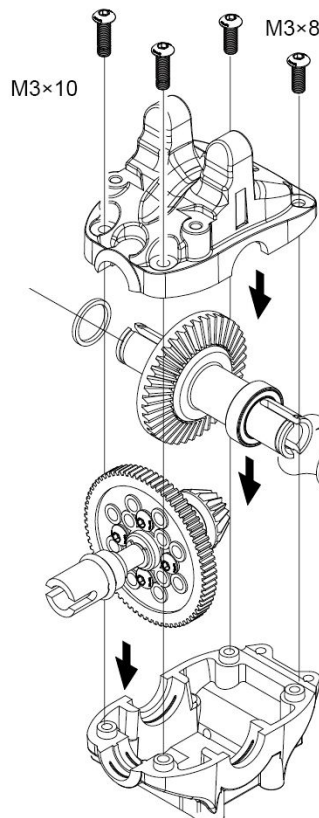
10

 X2  
NBA283  
M3×10mm

 X2  
NBA282  
M3×8mm

X2

X2



**REAR**

**Option**

**NBA309** Ball Differential (Metal)

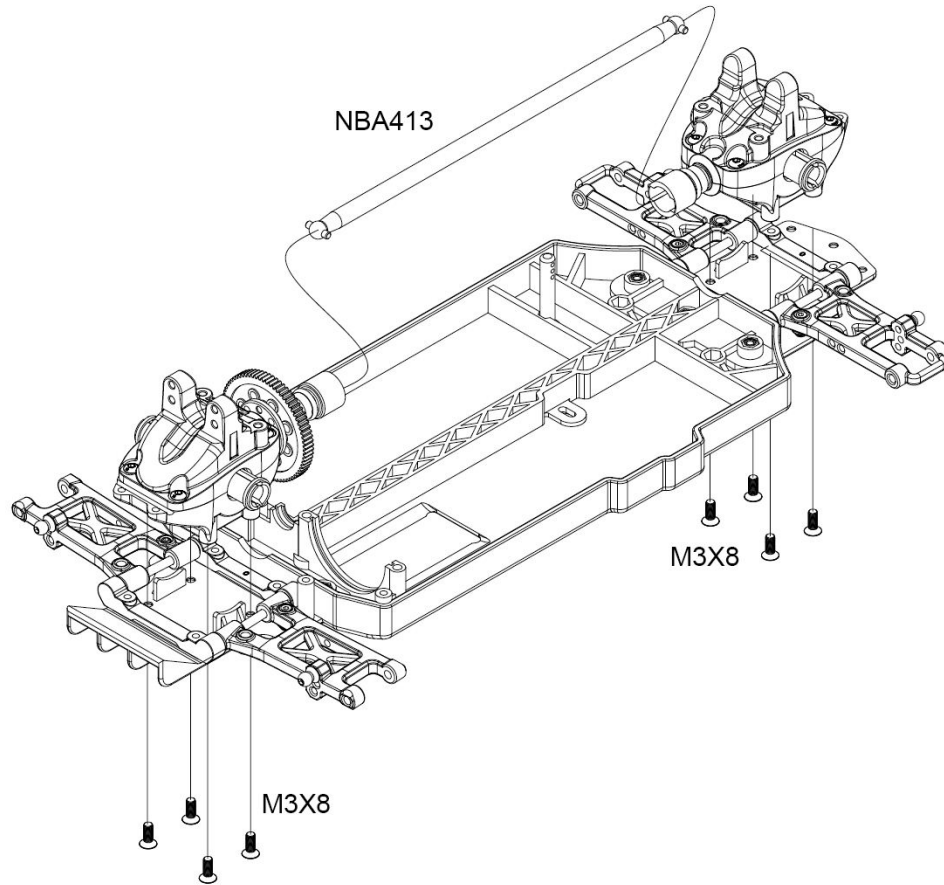




## 11

# T410

 X8  
NBA280  
M3X8mm





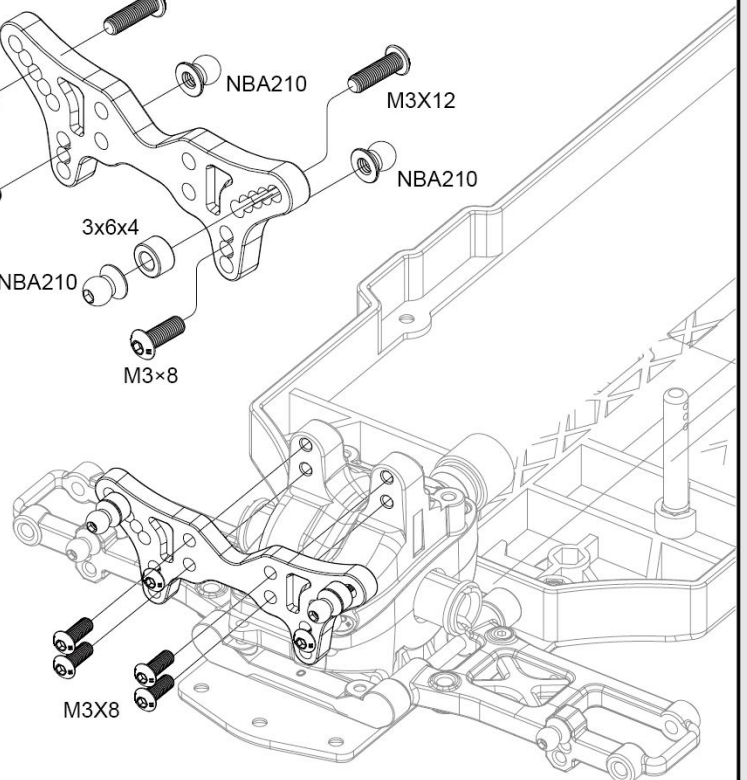
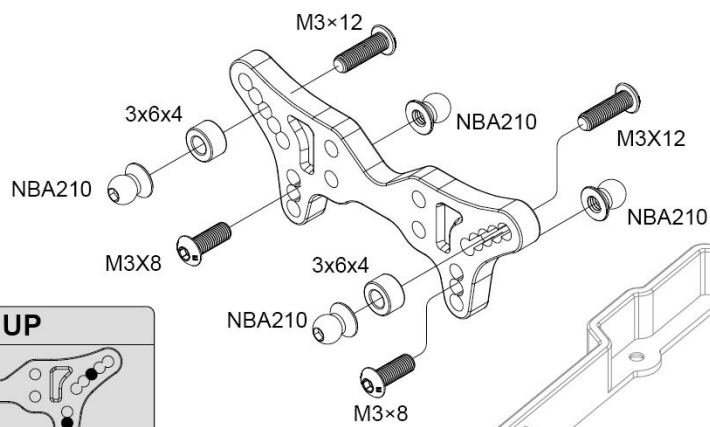
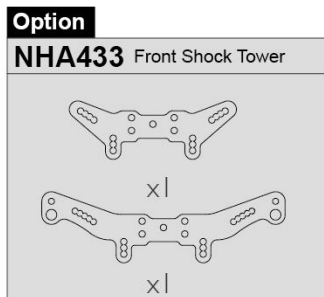
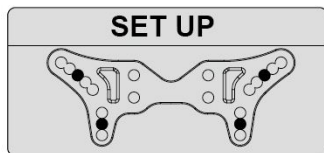
## 12

 X2  
NBA284  
M3X12mm

 X6  
NBA282  
M3X8mm

 X4  
NBA210  
3X8mm

  X2  
3x6x4








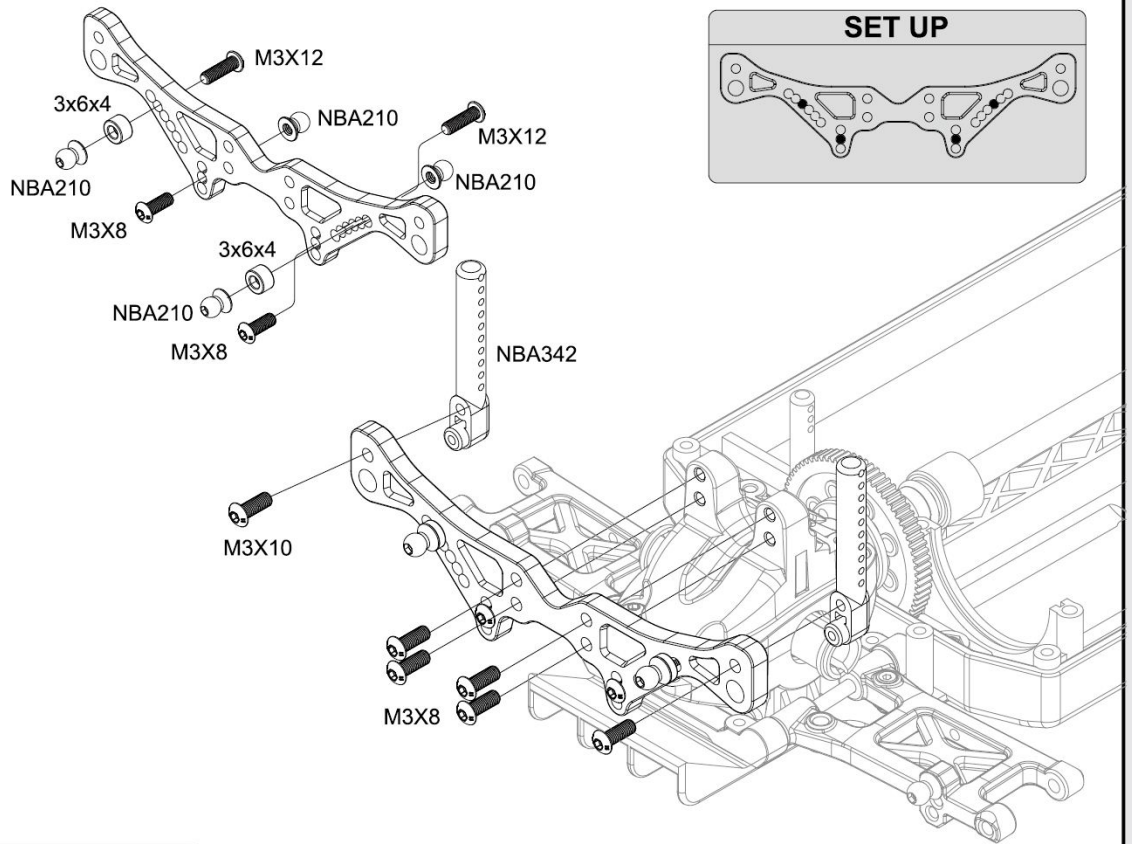










## T410

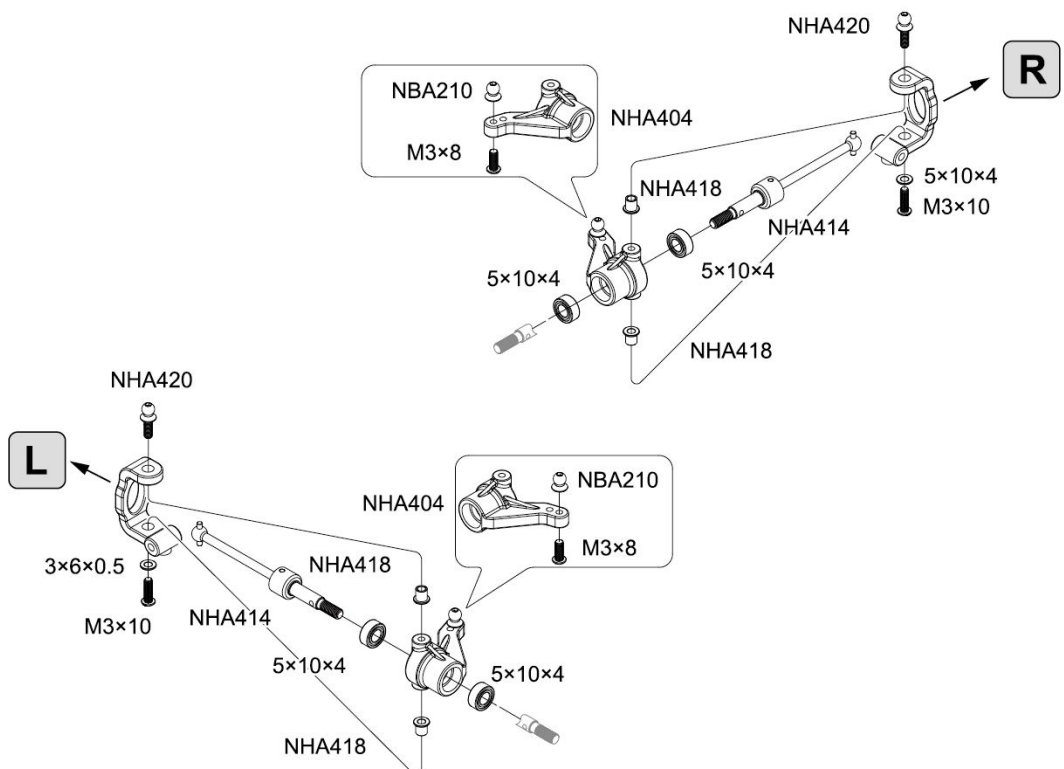
**13**

-  X2  
NBA284  
M3X12mm
-  X6  
NBA282  
M3X8mm
-  X4  
NBA210  
3X8mm
-  X2  
NBA283  
M3X10mm
-  X2  
3x6x4




**14**


-  X2  
NBA282  
M3x8
-  X2  
NBA283  
M3x10
-  X2  
NBA298  
5x10x4
-  X2  
NHA419
-  X4  
NBA210
-  X4  
NHA420  
4.8x9

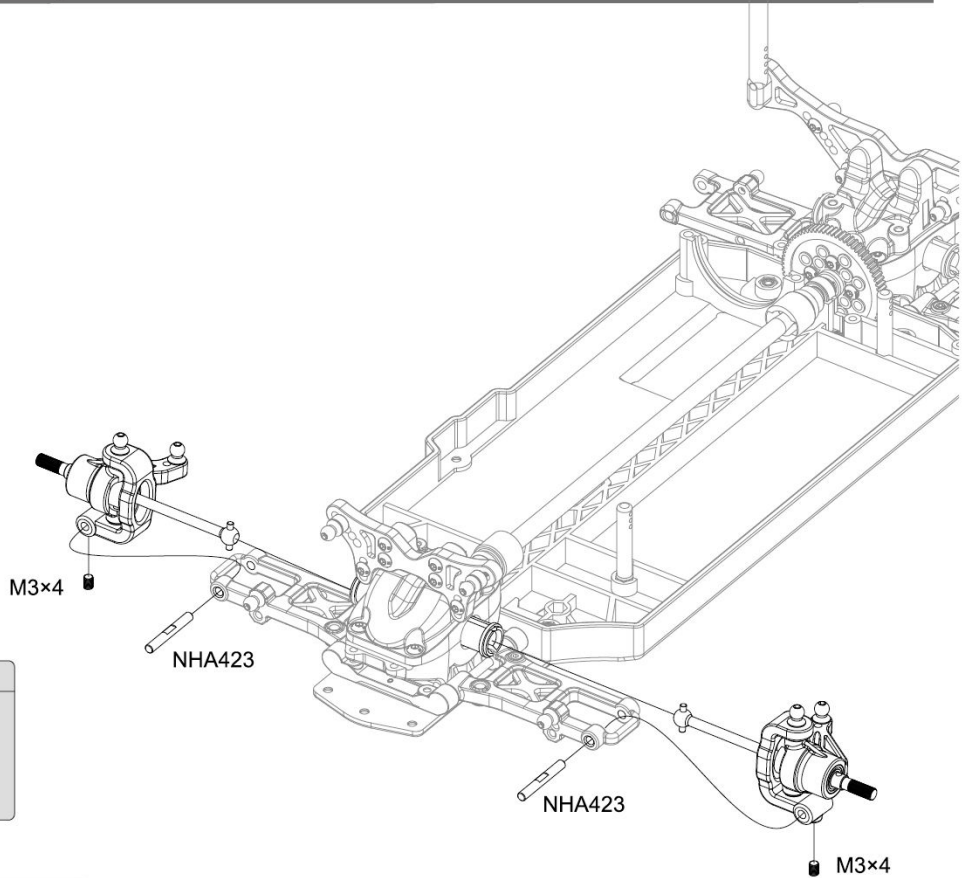





### 15

 X2  
NBA288  
M3X4mm

 X2  
NHA423  
2.5X23mm



**NOTE**  
Tight Grub screw on the groove of the pin

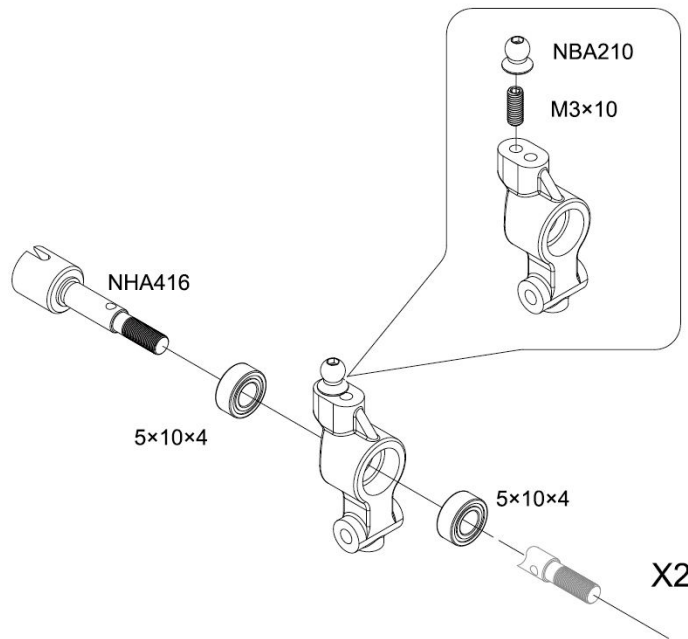


### 16

 X4  
NBA298  
5x10x4mm

 X2  
NBA290  
M3x10mm

 X2  
NBA210  
3x8mm



X2

**Option**  
NHA414 CVD Drive Shaft



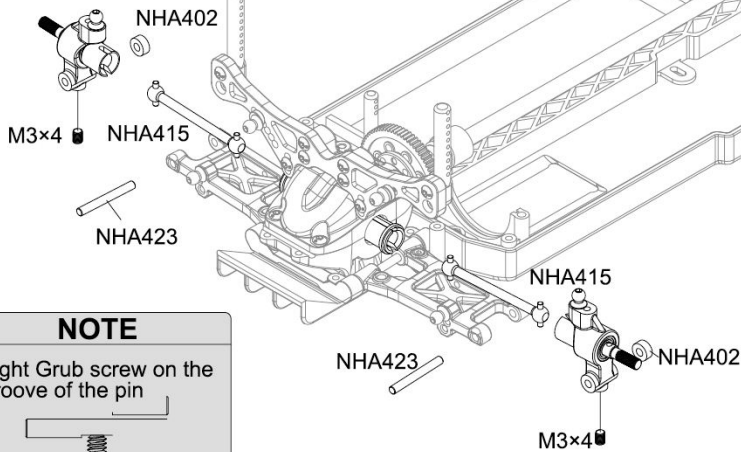
x2

## 17

X2

NHA423  
2.5×26mm

X2  
NBA288  
M3×4mm

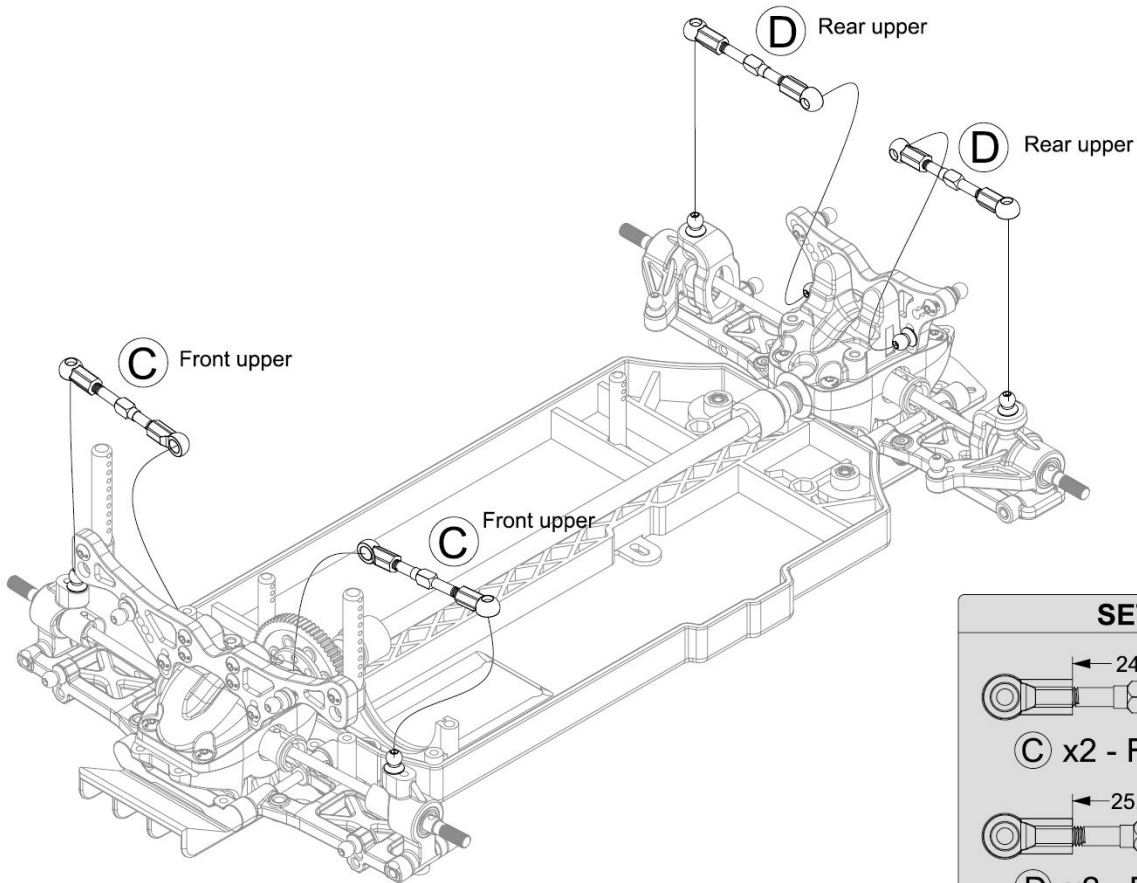


**NOTE**  
Tight Grub screw on the groove of the pin

**Adjustable Wheelbase**

Spacer in front : 258mm  
Spacer in rear : 255mm

## 18



**SET UP**

← 24mm →

ⓐ x2 - Front upper

← 25.8mm →

ⓓ x2 - Rear upper



 X2

NBA284  
M3×12mm

 X2


NBA282  
M3×8mm

 X3

NBA210  
3×8mm

 X2

NHA406

 X1

NBA289  
M3×8mm

 X4

NBA282  
M3×8mm

 X2

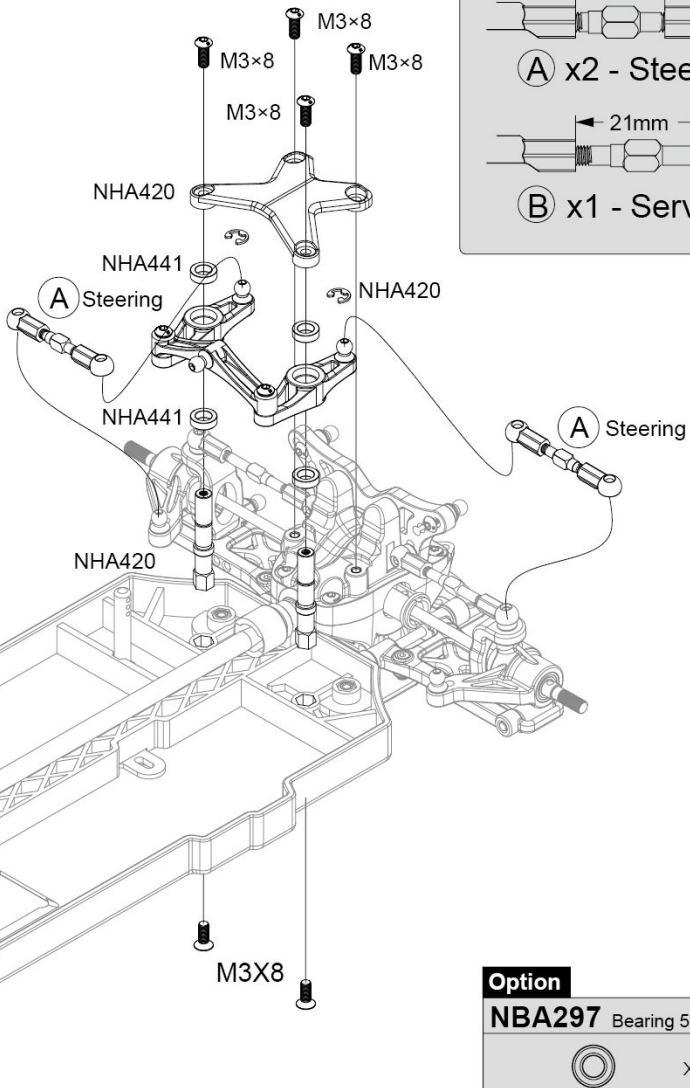
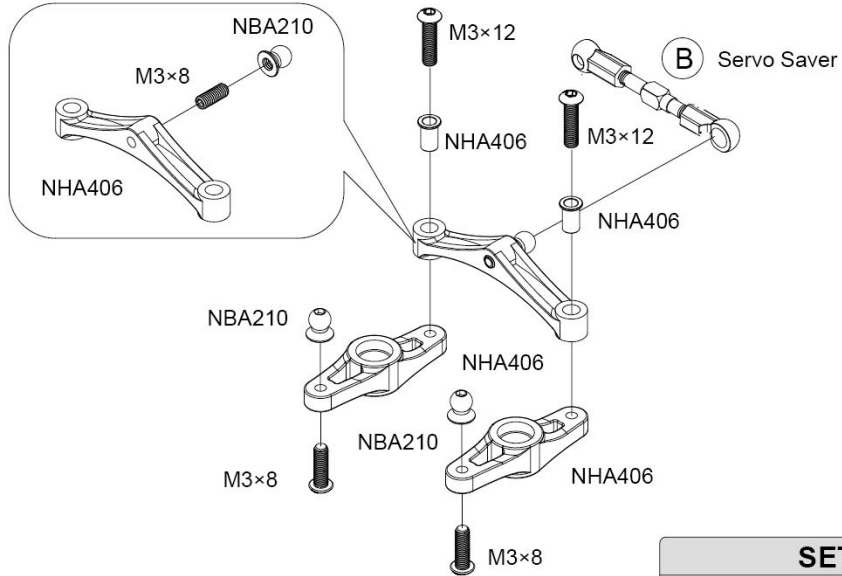
NHA420  
3X7 mm

 X4


NHA441  
5×8×2.5mm

 X2

NBA280  
M3×8mm




**SET UP**



15.4mm

**(A)** x2 - Steering



21mm

**(B)** x1 - Servo Saver

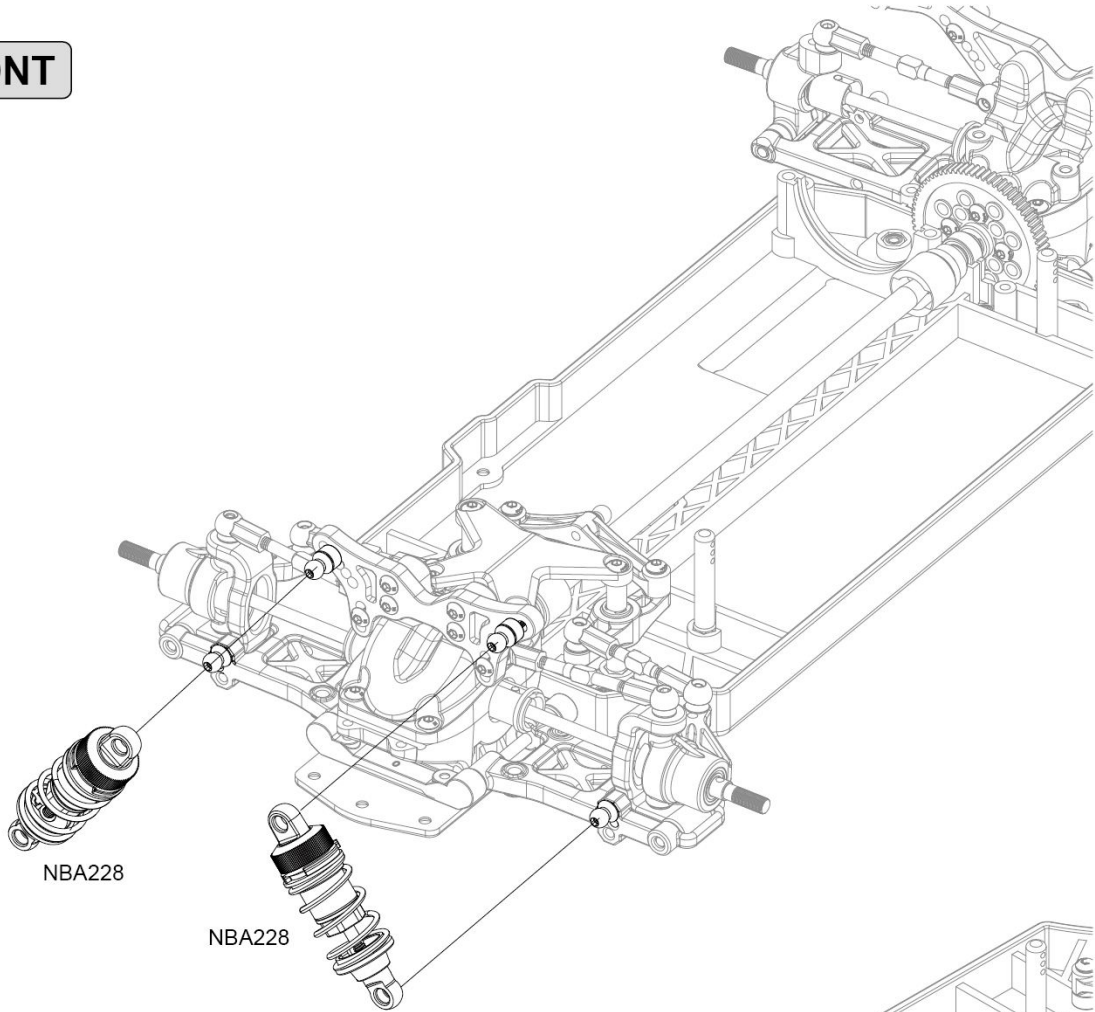
**Option**

**NBA297** Bearing 5x8x2.5

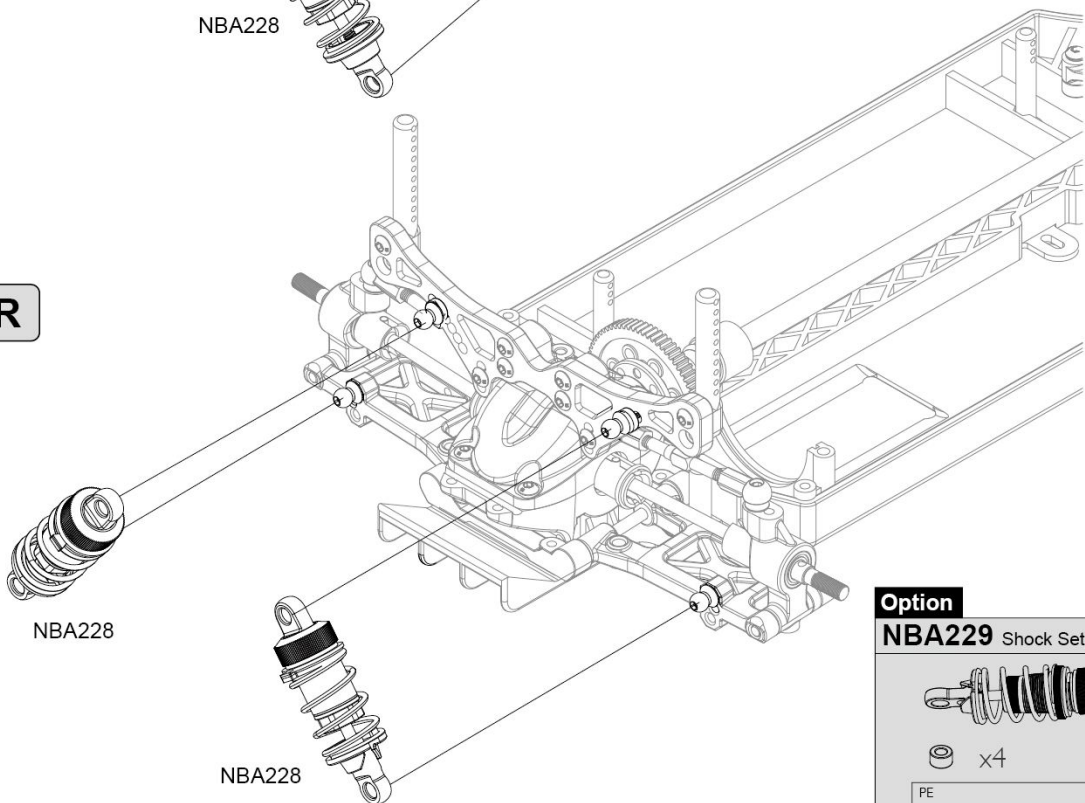
 x2



**FRONT**



**REAR**



**Option**  
**NBA229** Shock Set (Aluminum)

x4

⊗ x4

PE

⊗ x4    ⊗ x4





 X3  
NBA282  
M3×8mm

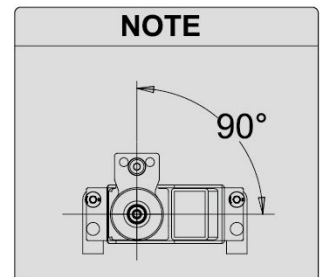
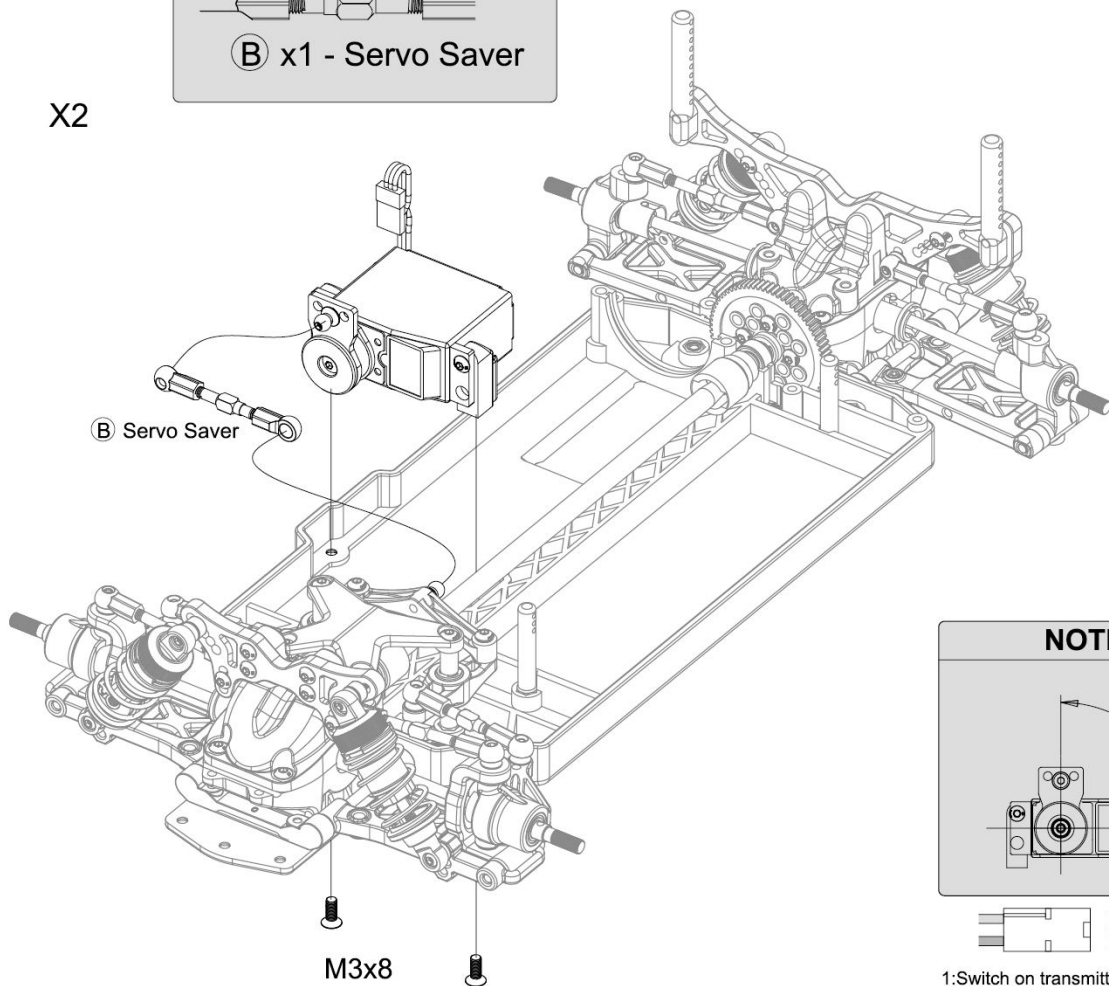
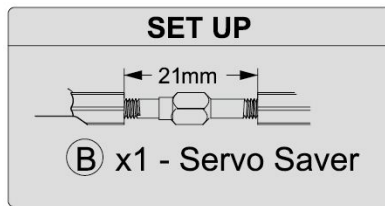
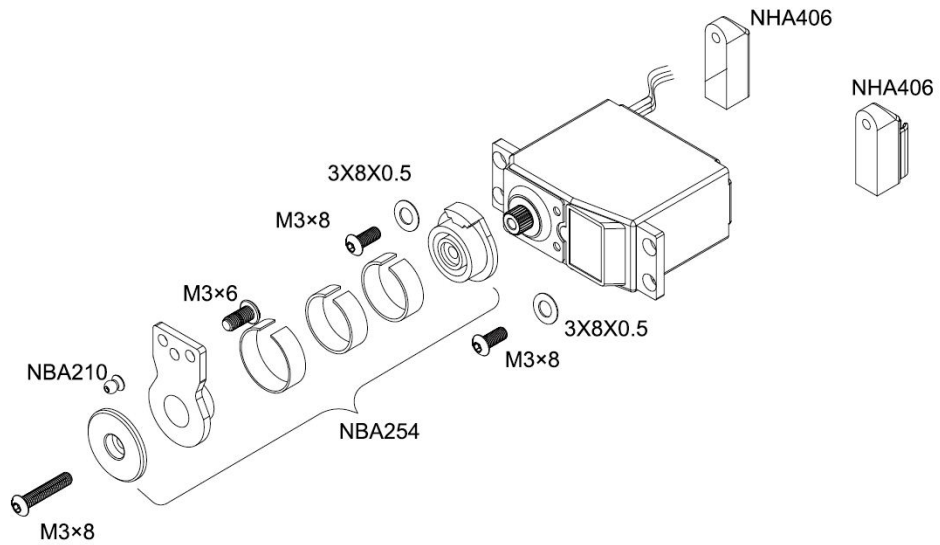
 X1  
NBA281  
M3×6mm

 X1  
NBA254  
(Black)

 X2  
NBA254  
(Silver)

 X1  
NBA210  
3×8mm

 X2  
NBA280  
M3×8mm



1: Switch on transmitter  
2: Connecting battery and turn on ESC switch



X2

NBA305



X2

NBA282  
M3×8mm



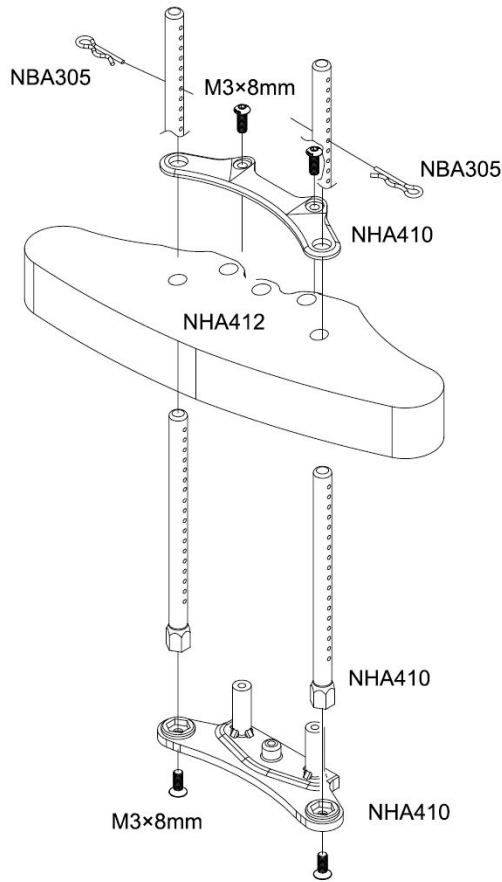
X2

NBA280  
M3×8mm



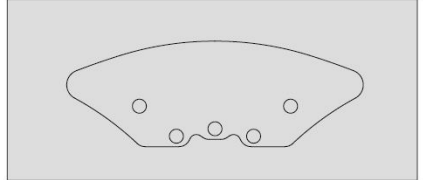
X3

NBA280  
M3×8mm

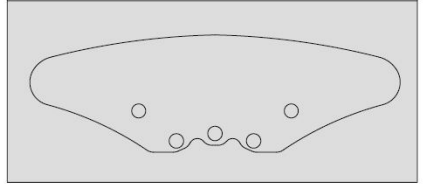


### Option

**NBA336** Bumper For Touring Car Body



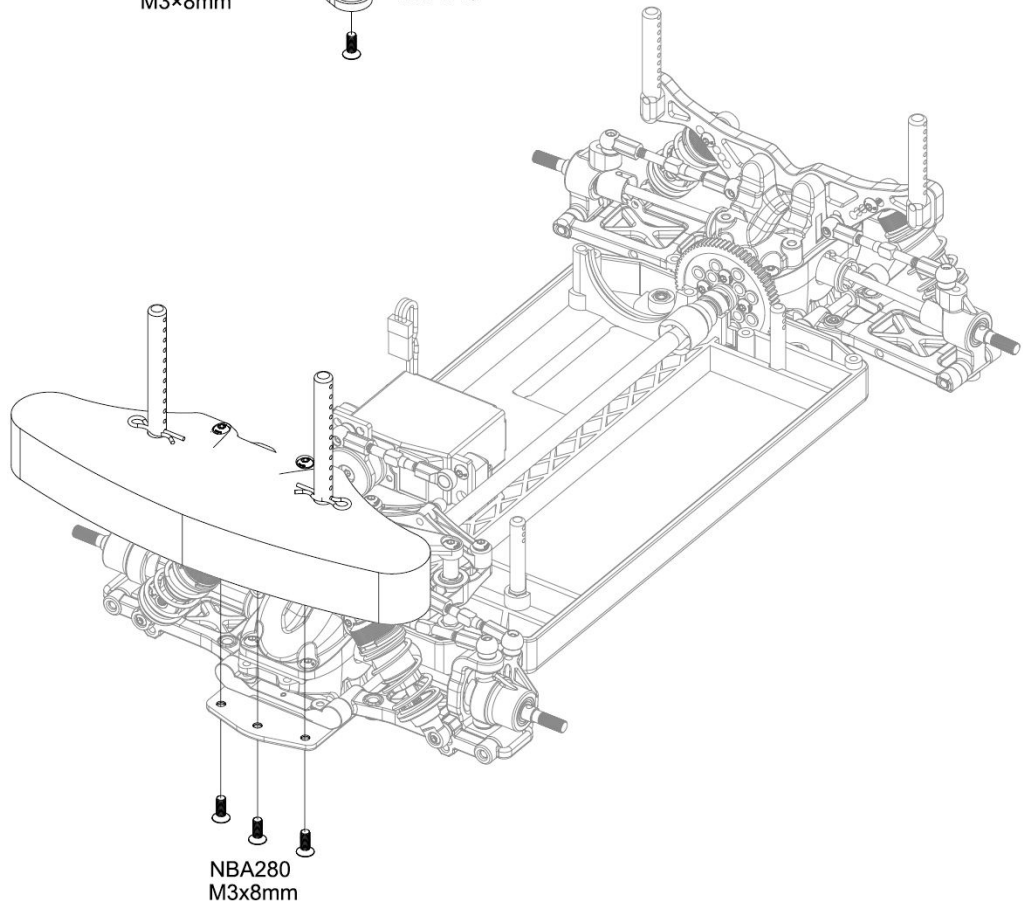
**NHA412** Bumper For Touring Car Body



There are two sizes of bumper that Allowed to fit Different kind of Body shell.

### Option




**NBA278** Bumper Plate (For Sedan Body)

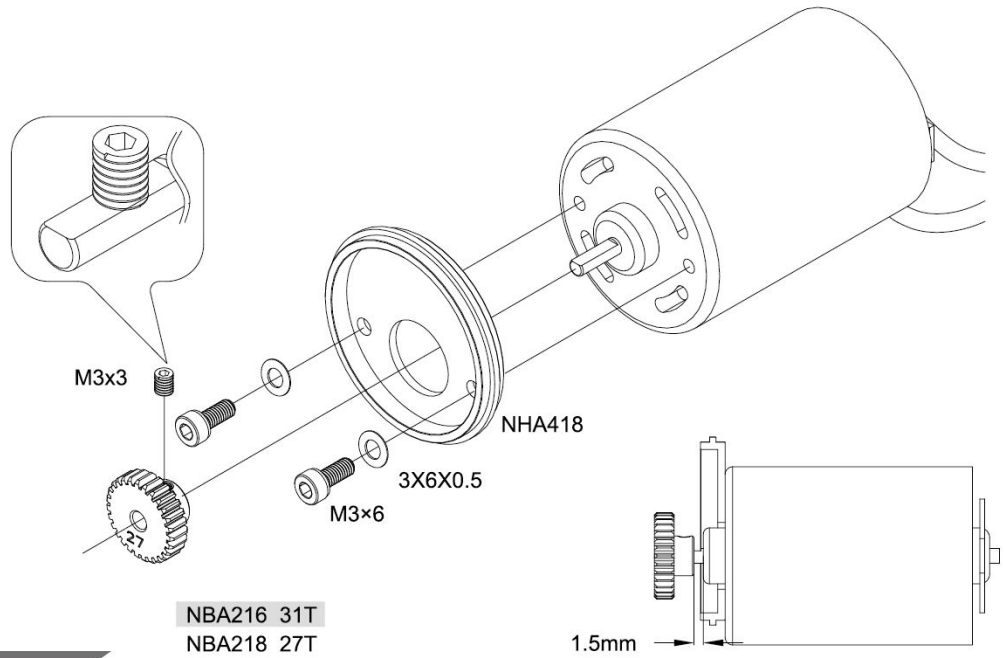




## T410

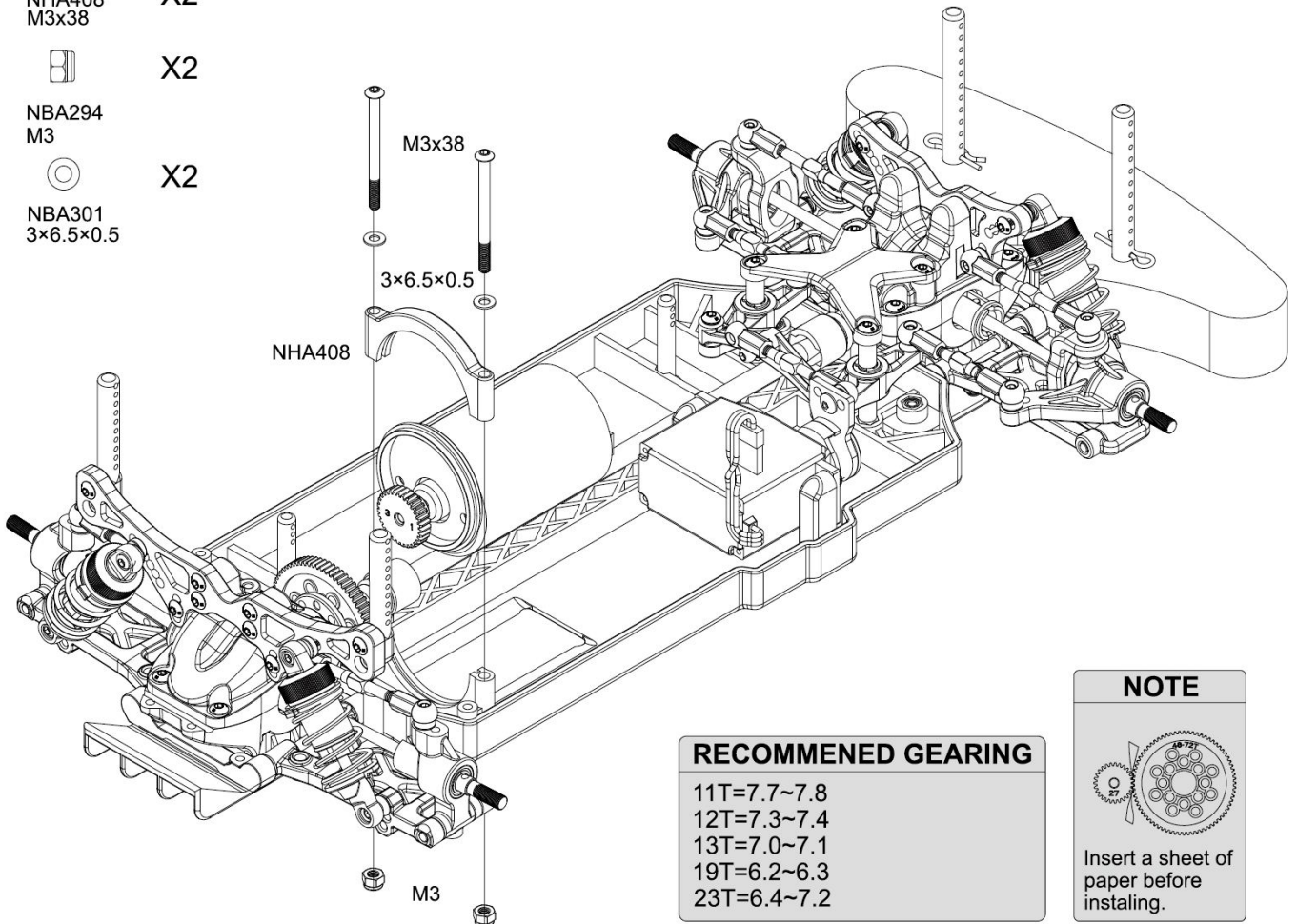
23

-  X1  
NBA287  
M3x3mm
-  X2  
NBA301  
3x6x0.5
-  X2  
NHA425  
M3x6



24

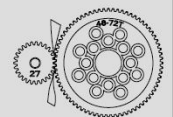
-  X2  
NHA408  
M3x38
-  X2  
NBA294  
M3
-  X2  
NBA301  
3x6.5x0.5



### RECOMMENDED GEARING

- 11T=7.7~7.8
- 12T=7.3~7.4
- 13T=7.0~7.1
- 19T=6.2~6.3
- 23T=6.4~7.2

### NOTE

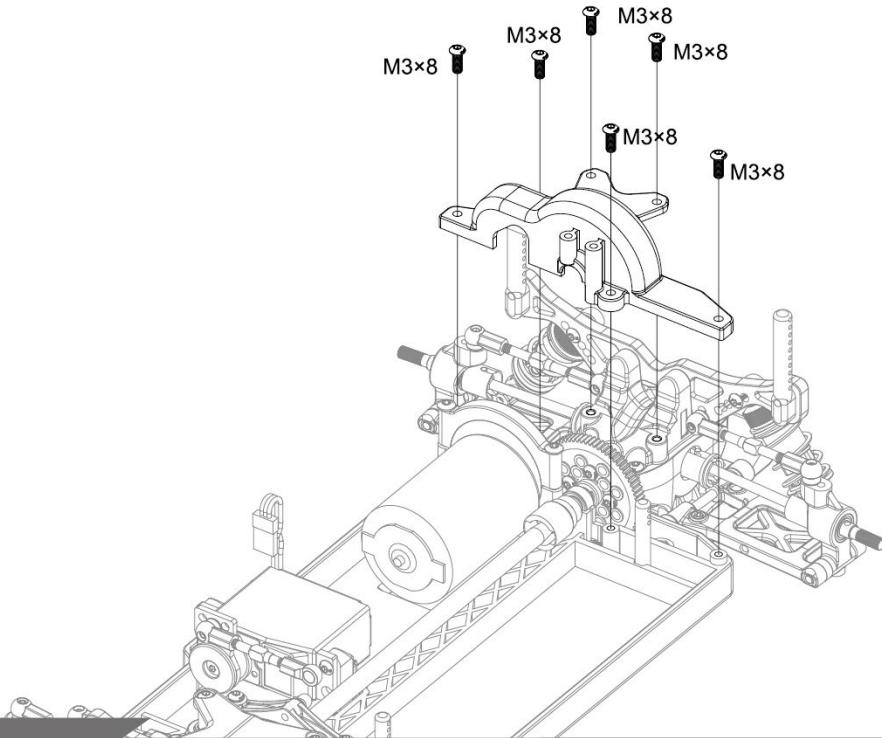


Insert a sheet of paper before installing.




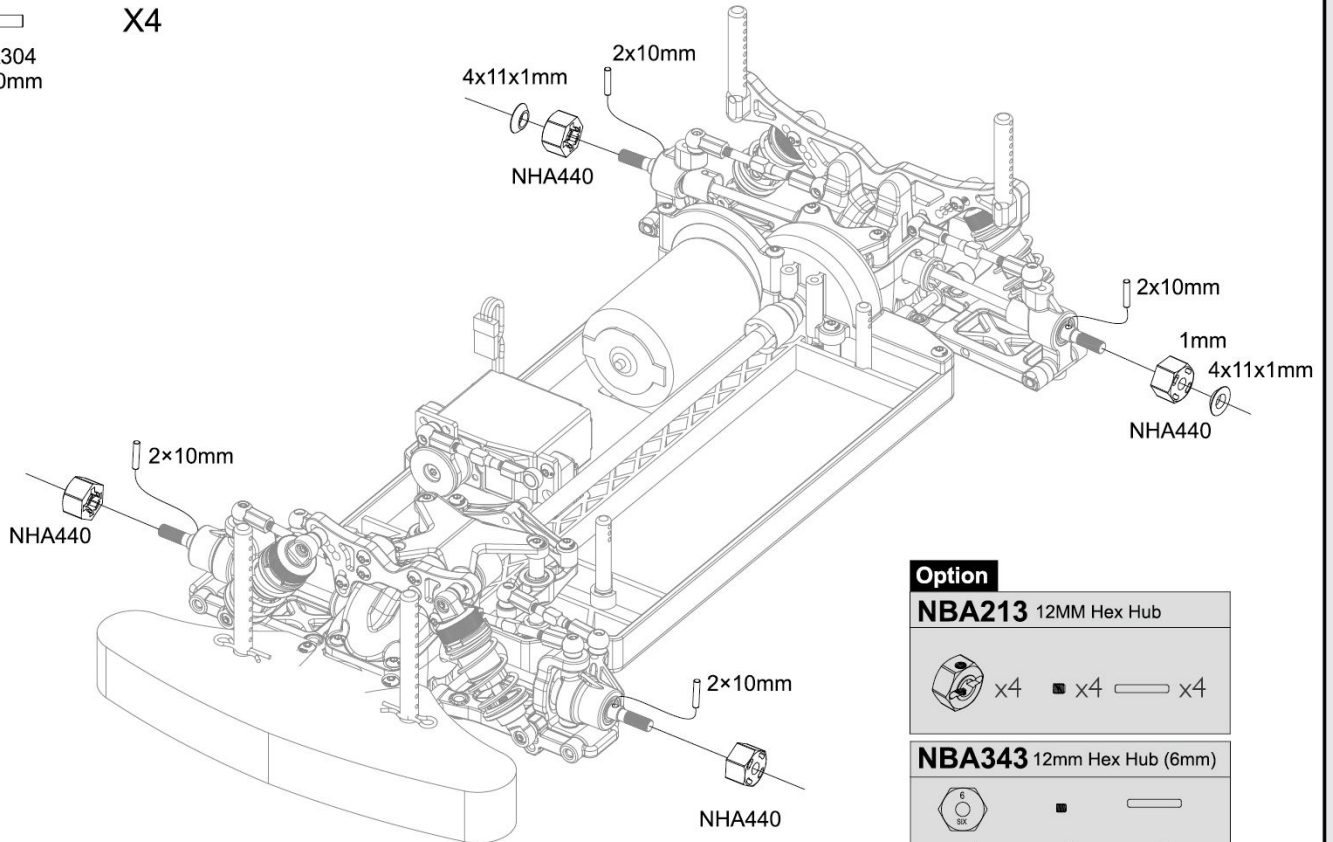
25

 X6  
NBA282  
M3x8mm



26

 X4  
NBA304  
2x10mm



**Option**

**NBA213** 12MM Hex Hub



**NBA343** 12mm Hex Hub (6mm)



**NBA344** 12mm Hex Hub (7mm)





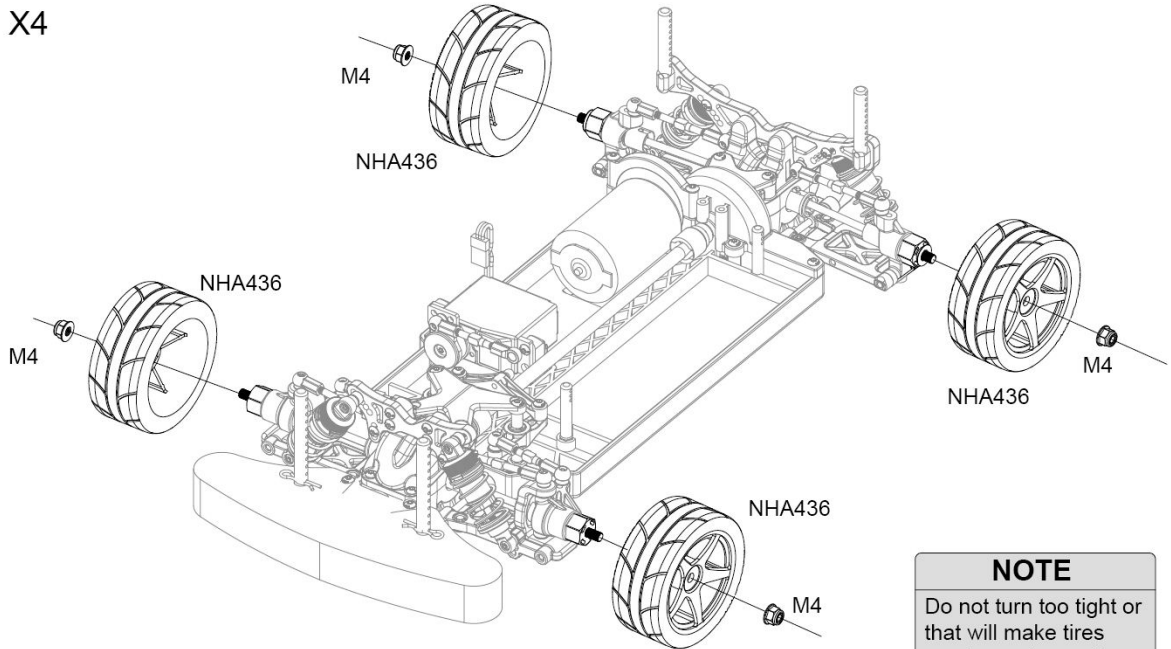
## 27

# T410



NBA295  
M4

X4



### NOTE

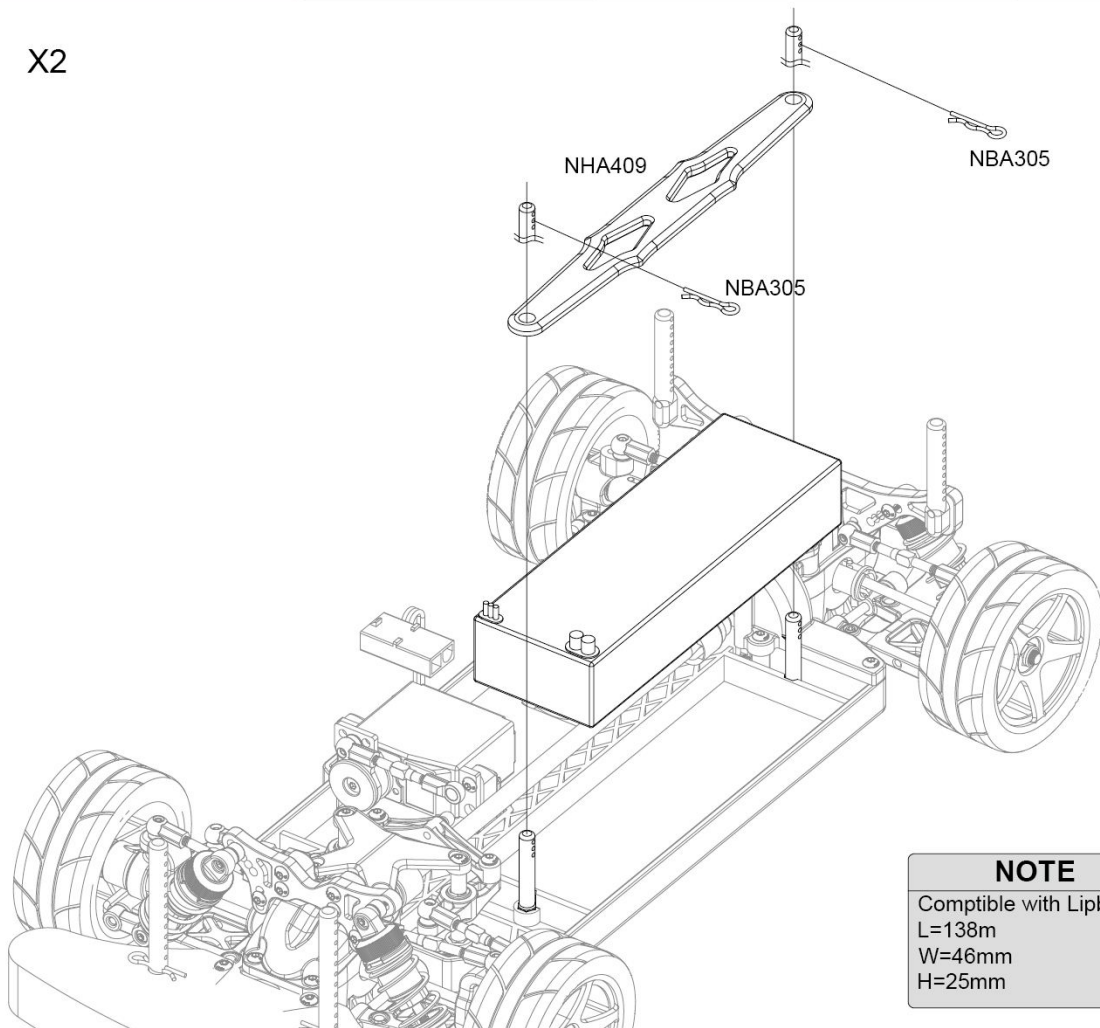
Do not turn too tight or that will make tires running not smooth.

## 28



NBA305

X2



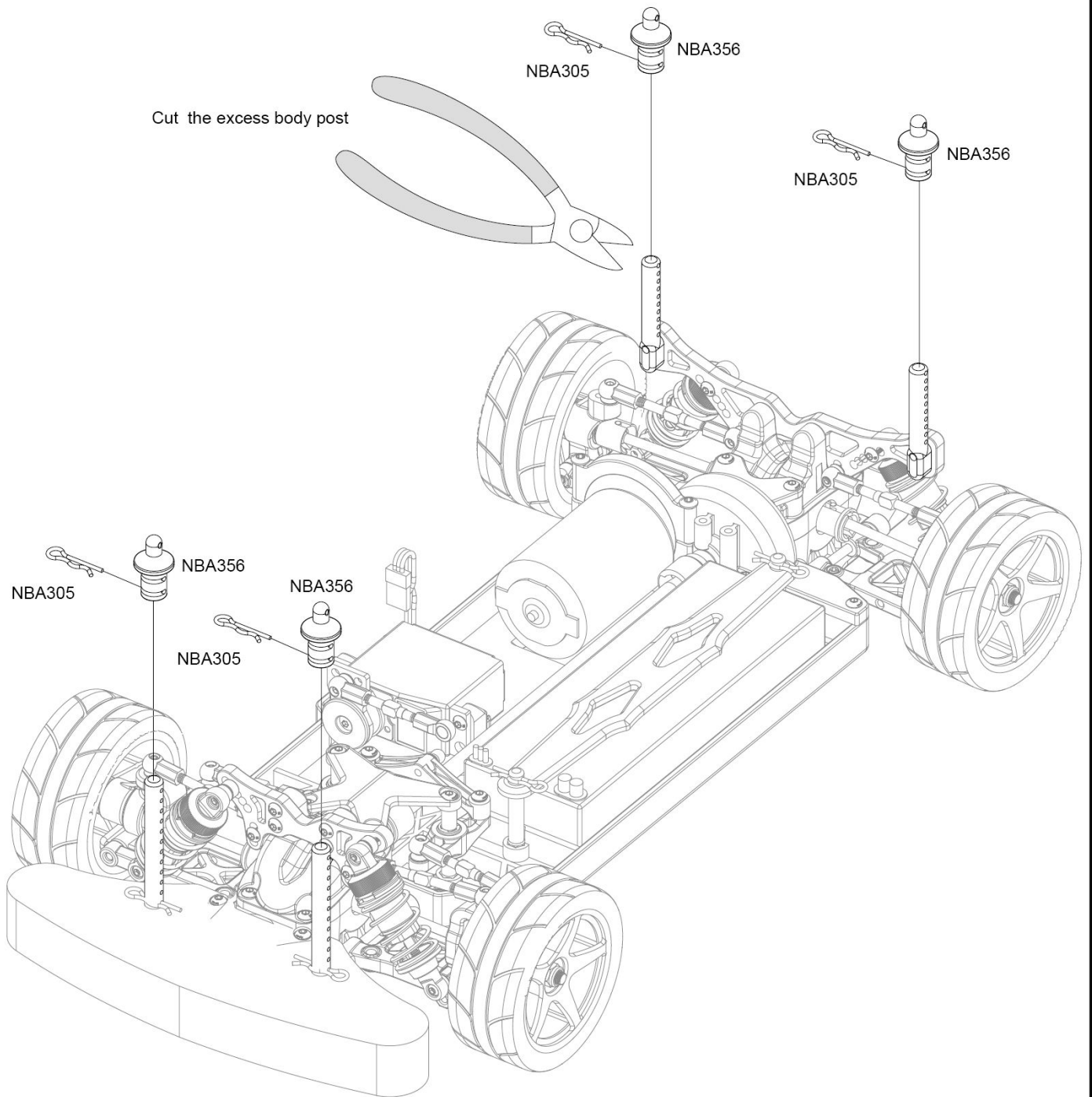
### NOTE

Comptible with Lipbattery  
L=138m  
W=46mm  
H=25mm



X4

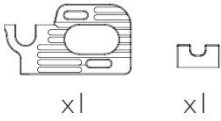
NBA305



## GEAR RATIO

SPUR GAER	T410	T410R
72	2.35	2.47
PINION GEAR	BALL DIFF (40/17) GEAR RATIO	GERA DIFF(42/17) GEAR RATIO
21	8.07	8.47
22	7.70	8.08
23	7.37	7.73
24	7.06	7.41
25	6.78	7.11
26	6.52	6.84
27	6.27	6.59
28	6.05	6.35
29	5.84	6.13
30	5.65	5.93
31	5.47	5.74
32	5.29	5.56
33	5.13	5.39
34	4.98	5.23
35	4.84	5.08
36	4.71	4.94
37	4.58	4.81
38		4.68
39		4.56
40		4.45
41		4.34
42		4.23
43		4.14
44		4.04

**NBA201** Motor Mount



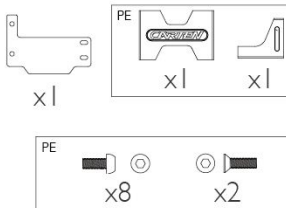
**NBA204** Drive Shaft And Spur Gear Hub (For Ball Diff)



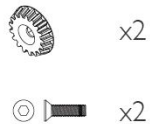
**NBA205** Drive Shaft And Spur Gear Hub (For Gear Diff)



**NBA206** Servo Mount Set



**NBA207** 17T Metal Bevel Gear (Gear Diff)



**NBA210** 4.8x6 mm Ball Stud



**NBA211** Pivot Ball Stud



**NBA213** 12MM Hex Hub



**NBA215** 39T-48P Pinon Gear (Aluminum)



**NBA216** 31T-48P Pinon Gear (Metal)



**NBA217** 31T-48P Pinon Gear (Aluminum)



**NBA218** 27T-48P Pinon Gear (Metal)



**NBA219** Shock Parts(O-rings)



**NBA220** Shock Body sets (Aluminum)



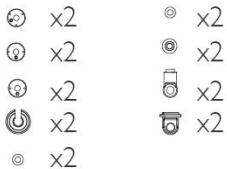
**NBA221** Shock shafts



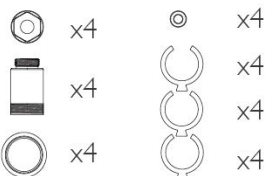
**NBA222** Shock Body (Aluminum)



**NBA223** Shock Parts



**NBA224** Plastic Shock



**NBA225** Shock spring (1.2X22mm) Blue-Hard



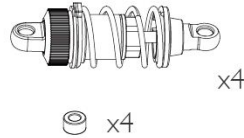
**NBA226** Shock spring (1.2X22mm) Yellow-Medium



**NBA227** Shock spring (1.2X22mm) Red-Soft



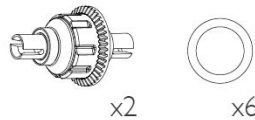
**NBA228** Shock Set(Plastic)



**NBA229** Shock Set (Aluminum)



**NBA230** Gear Differential



**NBA231** Gear Diff Case



**NBA232** 42T Bevel Gear (Metal)



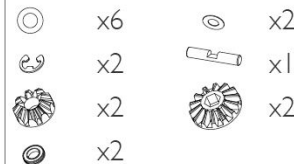
**NBA233** Gear Diff Cup Joint



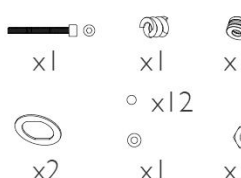
**NBA234** Gear Diff Oring



**NBA235** Gear Diff Bevel Gear Set



**NBA236** Ball Diff Parts Set



**NBA237** Diff Ball (3/32)



**NBA238** Ball Diff Screw Set



**NBA239** Ball Diff Shim



**NBA240** Thrust Bearing



**NBA241** Diff gears (Ball Diff)



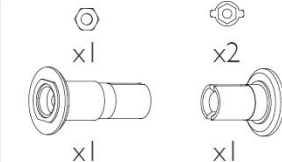
**NBA242** Diff O-rings (Ball Diff)



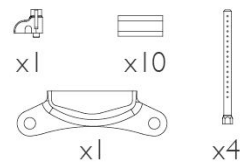
**NBA243** Ball Diff cup joint (Plastic)



**NBA244** Ball Diff cup joint (Metal)



**NBA245** Front Bumper Hold And Body Mount



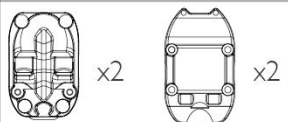
**NBA247** Ball End (4.8mm)



**NBA248** Suspension Mount Parts



**NBA249** Gear box





**NBA252** Spur Gear 72T



x1

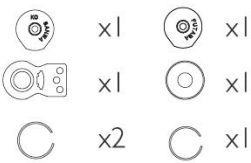
**NBA253** Hex Hub (5MM)



x4

x4

**NBA254** Servo Saver



x1

x1

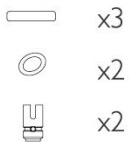
x1

x1

x2

x1

**NBA255** Cup Jiont



x3

x2

x2

**NBA256** Bumper For Sedan Body



x1

**NBA257** Bumper For Hatchback Body



x1

**NBA258** Battery Strap



x2

**NBA259** Antenna Pipe



x1

x1

**NBA274** Battery Holder



x2

**NBA275** Body Mount Plate



x2

**NBA276** Servo Plate



x1

**NBA277** Bumper Plate (For Hatchback Body)



x1

**NBA278** Bumper Plate (For Sedan Body)



x1

**NBA279** Screw Set - FH M3x6



x10

**NBA280** Screw Set - FH M3x8



x10

**NBA281** Screw Set - BH M3x6



x10

**NBA282** Screw Set - BH M3x8



x10

**NBA283** Screw Set - BH M3x10



x10

**NBA284** Screw Set - BH M3x12



x10

**NBA285** Screw Set - BH M3x18



x10

**NBA286** Screw Set - FH M2x8



x10

**NBA287** Set Screw M3x3



x10

**NBA288** Set Screw M3x4



x10

**NBA289** Set Screw M3x8



x10

**NBA290** Set Screw M3x10



x10

**NBA291** Set Screw M3x12



x10

**NBA292** Set Screw M3x18



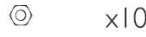
x10

**NBA293** Set Screw M3x20



x10

**NBA294** M3 Nut



x10

**NBA295** M4 Nut



x4

**NBA296** Bearing 3X6X2.5



x4

**NBA297** Bearing 5\*8\*2.5



x2

**NBA298** Bearing 5X10X4



x8

**NBA299** Bearing 10X15X4



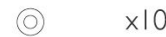
x4

**NBA300** Spacer Set 3X6X2.5



x4

**NBA301** Washer (3\*6.5\*0.5 mm)



x10

**NBA302** Washer (3\*8\*0.5 mm)



x10

**NBA303** E-Clip



x5

**NBA304** Pin2X10



x10

**NBA305** Body pinS



x12

**NBA306** O-Ring



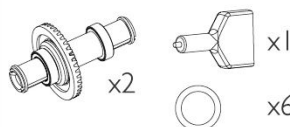
x10

**NBA307** Washer (11\*14\*0.2 mm)



x10

**NBA308** Differential (Plastic)



x2

x1

x6

**NBA309** Ball Differential (Metal)



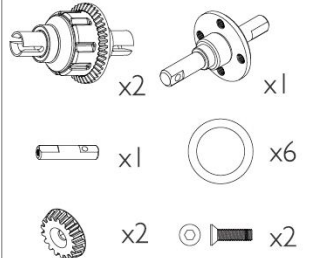
x1

x1

x1

x3

**NBA310** Gear Differential Set



x2

x1

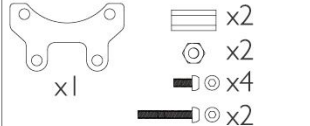
x1

x6

x2

x2

**NBA312** Fan Holder (For 30mm Fan)



x2

x2

x4

x2

**NBA313** Pivot Block (ALUMINUM) 3°



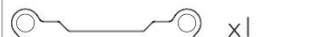
x1

**NBA314** Pivot Block (ALUMINUM) 0°



x1

**NBA315** Pivot Block (ALUMINUM) 2.5°



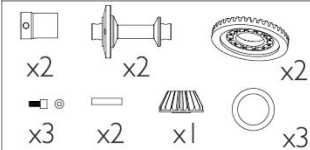
x1

**NBA318** Aluminum Hex 5.5 x 10mm



x10

**NBA321** Solid Axle (40T/17T Plastic)



x2

x2

x2

x3

x2

x1

x3

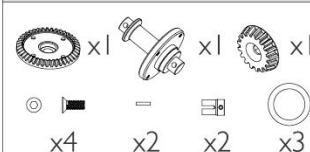
**NBA322** Plastic 40T/17T Bevel Gear (For Solid Axle)



x2

x2

**NBA323** Solid Axle (42T/17T Metal)



x1

x1

x1

x4

x2

x2

x3

**NBA325** 42T Metal Bevel Gear (for Solid Axle)



x1

x4

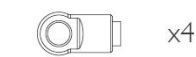
**NBA326** Metal Center Cup Joint (For Ball Diff)



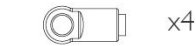
**NBA327** Metal Center Cup Joint (For Gear Diff)



**NBA332** Strong Ball End 4.8mm (4PCS)



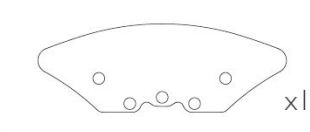
**NBA334** Strong Ball End 4.8mm (Long 4PCS)



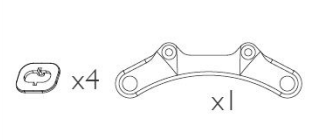
**NBA335** Shock spring (1.2X22mm) Green-Soft



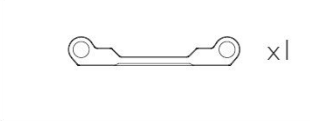
**NBA336** Bumper For Touring Car Body



**NBA337** Bumper Plate & Body Post Spacer



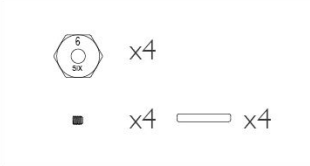
**NBA338** Pivot Block (ALUMINUM) 2.0"



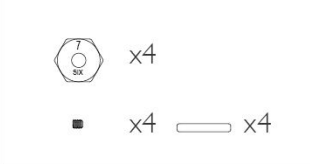
**NBA342** Body Post (Rear)



**NBA343** 12mm Hex Hub (6mm)



**NBA344** 12mm Hex Hub (7mm)



**NBA346** ALUMINUM SPACER 3\*6\*0.5 (8PCS)



**NBA347** ALUMINUM SPACER 3\*6\*1.0 (8PCS)



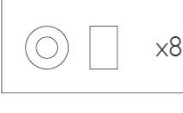
**NBA348** ALUMINUM SPACER 3\*6\*2.0 (8PCS)



**NBA349** ALUMINUM SPACER 3\*6\*3.0 (8PCS)



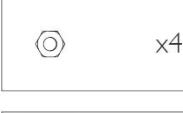
**NBA350** ALUMINUM SPACER 3\*6\*4.0 (8PCS)



**NBA351** M3 Nylon Lock Nut(4PCS)



**NBA352** M4 Nylon Lock Nut(4PCS)



**NBA353** M4 Serrated Lock Nut(4PCS)



**NBA354** Solid Axle Steel Cup Joint



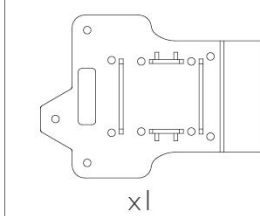
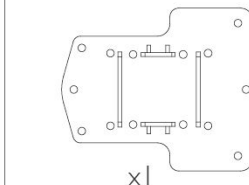
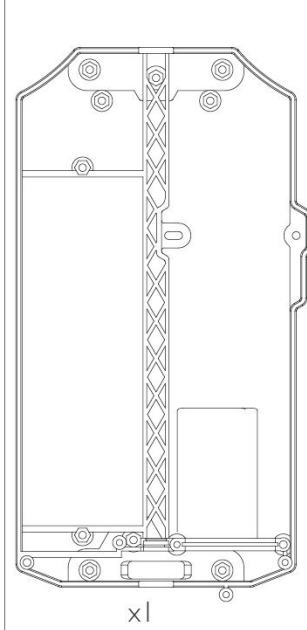
**NBA355** 23T Brushed Motor



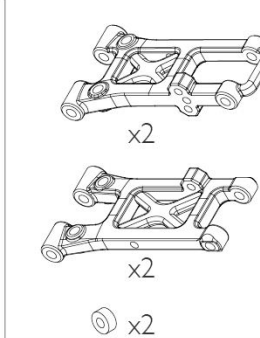
**NBA356** Extended Body Post(6mm)



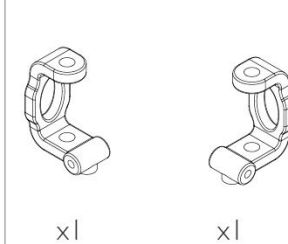
**NHA401** Chassis



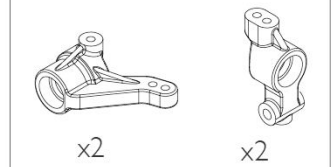
**NHA402** Arms(F/R)



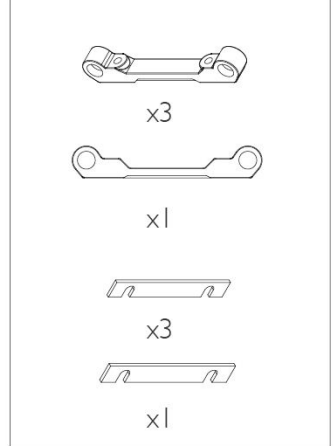
**NHA403** C Hub 4° (L/R)



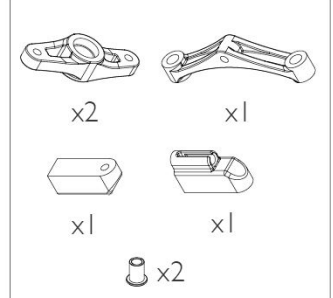
**NHA404** Hub Carrier



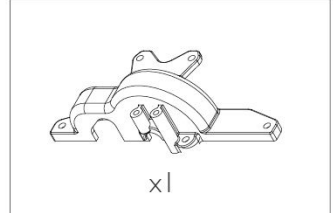
**NHA405** Suspension Mount Parts



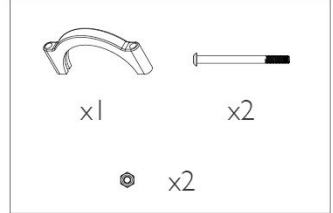
**NHA406** Steering Track



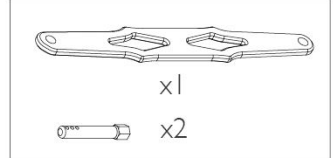
**NHA407** Gear box Cover



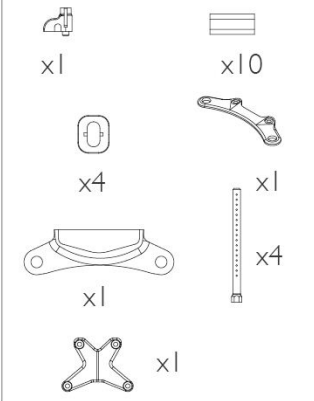
**NHA408** Motor Plate Holder



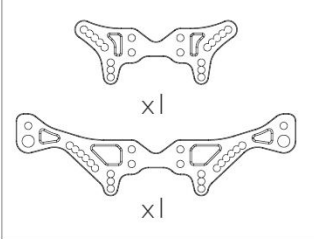
**NHA409** Battery Holder



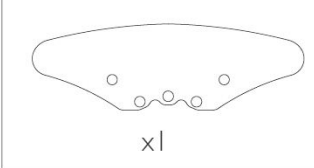
### NHA410 Front Bumper Holder Set



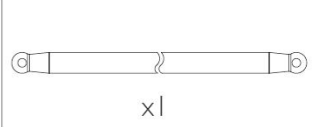
### NHA411 T410 Shock Tower



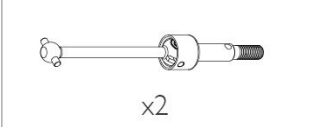
### NHA412 Bumper



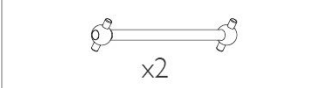
### NHA413 Center Drive Shaft



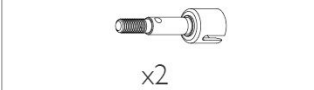
### NHA414 CVD Drive Shaft



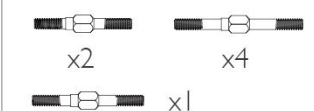
### NHA415 Dog Bone/45mm



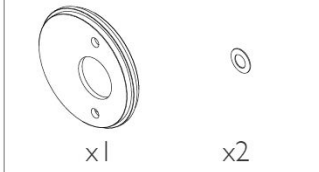
### NHA416 Axle



### NHA417 Turnbuckle Set



### NHA418 Motor Plate (T410)



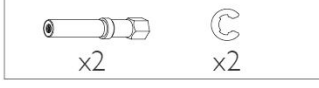
### NHA419 Steering Bush



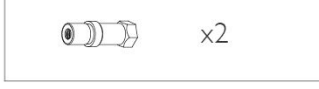
### NHA420 Ball stud 4.8x9



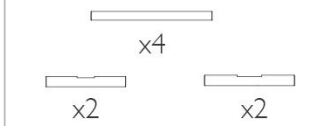
### NHA421 Steering Post(T410)



### NHA422 Steering Post(T410R)



### NHA423 Suspension Shaft Set



### NHA424 Cap Head Screw M2x6



### NHA425 Cap Head Screw M3x6



### NHA426 Cap Head Screw M3x8



### NHA427 Cap Head Screw M3x10



### NHA428 Cap Head Screw M3x12



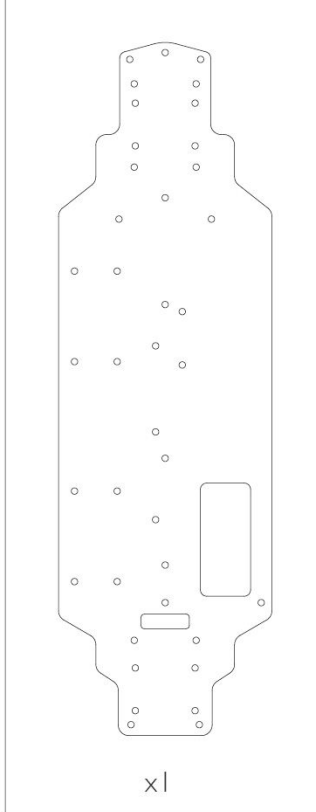
### NHA429 Flat Screw M3x14



### NHA430 Set Screw M4x10



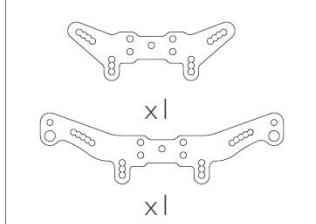
### NHA431 T410R-Chassis



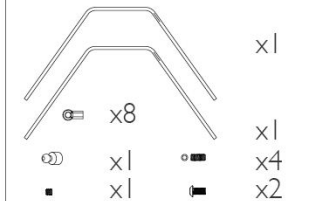
### NHA432 T410R-Upper Deck



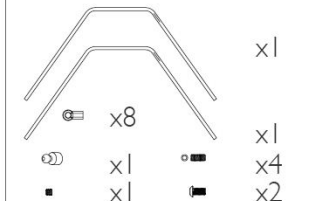
### NHA433 Front Shock Tower



### NHA434 Sway Bar-1.4mm



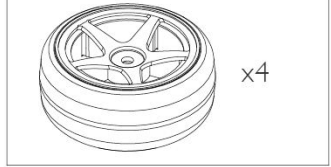
### NHA435 Sway Bar-1.6mm



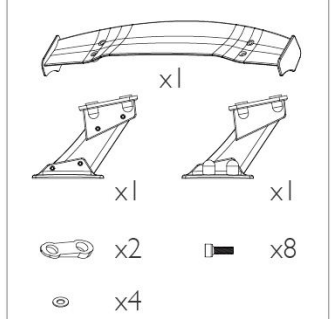
### NHA436 1/10 Tires 5 Spoke Wheel-White(26mm)



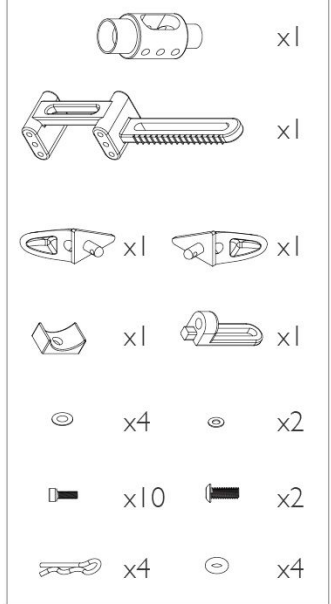
### NHA437 1/10 Drift Tires 5 Spoke Wheel-White(26mm)



### NHA438 Wing Set



### NHA439 Back mirror and exhaust pipe



### NHA440 12mm HEX (T 5mm/8mm)



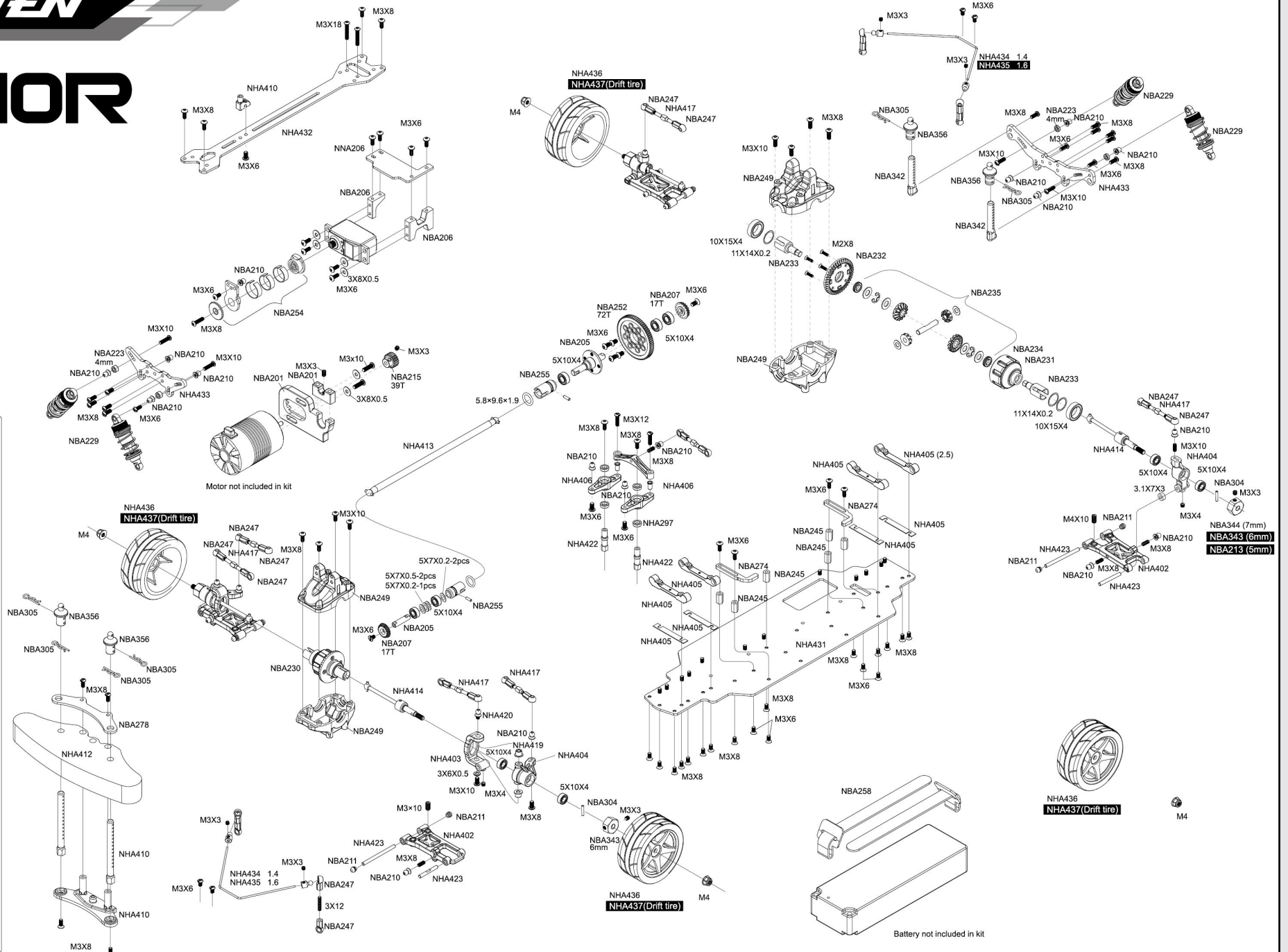
### NHA441 5x8x2.5 Metal bushing





# T410R

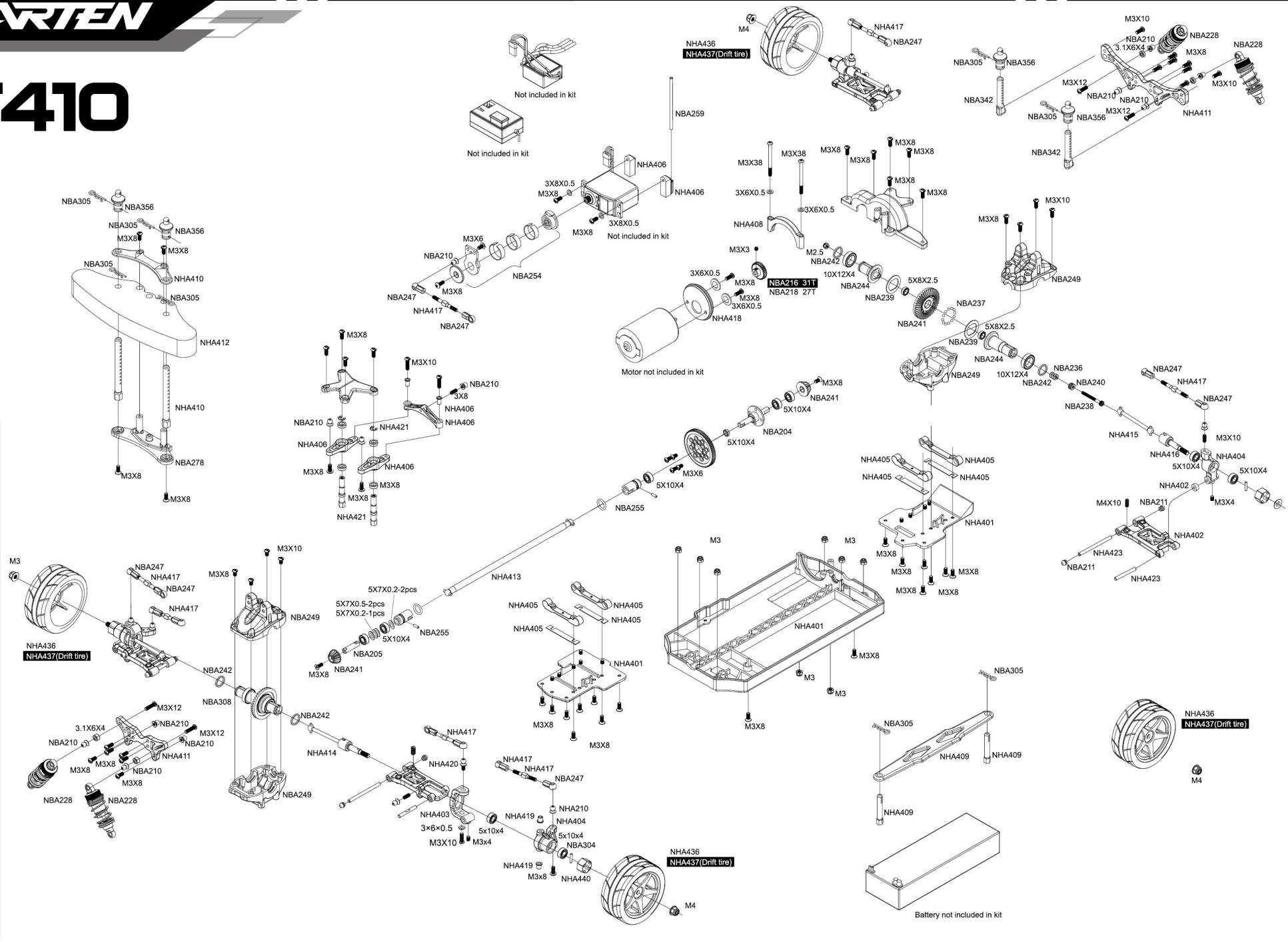
- NBA229**
- NBA220
  - NBA223
  - NBA219
  - NBA221
  - NBA222
  - NBA220
  - NBA219
  - NBA223
  - NBA220
  - NBA225
  - NBA226
  - NBA227
  - NBA335
  - NBA223
  - NBA334(Long)





# T410

- NBA228
- NBA224
- NBA223
- NBA219
- NBA223
- NBA221
- NBA224
- NBA224
- NBA219
- NBA223
- NBA224
- NBA225
- NBA226
- NBA227
- NBA335
- NBA223
- NBA334(Long)





1/10 EP RC TOURING CAR

**T410R**

Revolution

**T410**

Standard



CARTEN RC Website

✉ [service@carten-rc.com](mailto:service@carten-rc.com)