



CARTEN™

M M210 RC CAR M210R INSTRUCTION MANUAL

M-CHASSIS

1/10 EP RC M-Chassis Kit

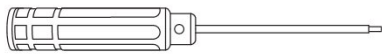
4WD SHAFT
DRIVEN

WWW.CARTEN-RC.COM

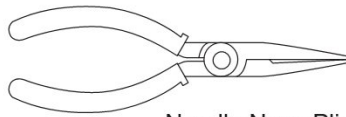
CAUTION

Notice: Thank you for choosing the carten M-CHASSIS M210 M210R
The following items are needed for completion of the KIT, They are not included with this kit (unless noted), and should be obtained from your local hobby shop.
Be sure to read the instructions completely prior to assembly.

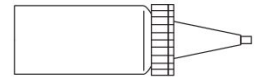
Tools needed To Assemble



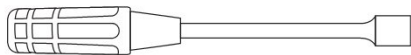
Hex Wrenches(1.5mm / 2.0mm / 2.5mm)



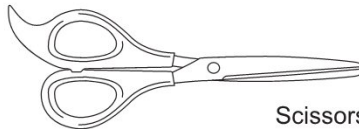
Needle Nose Pliers



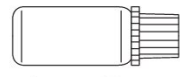
Instant Glue



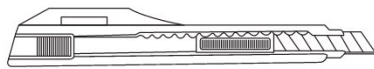
Box Wrench(5.5mm / 7mm / 10mm)



Scissors



Screw (Sement)



Hobby Knife

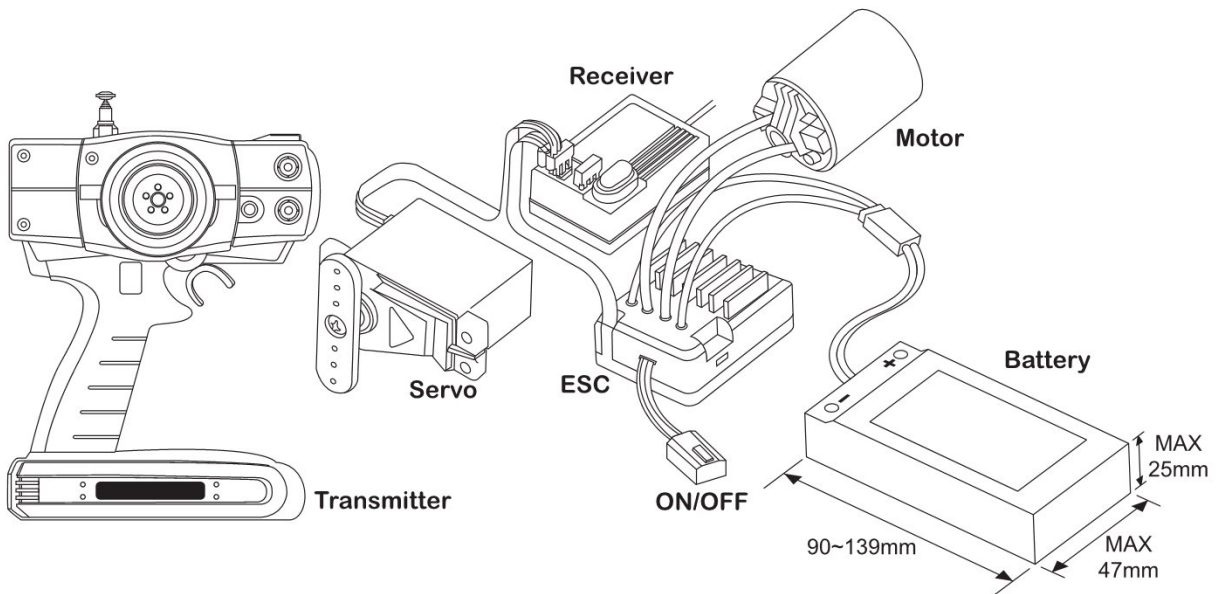


Glass or Vinyl Tape



Rubber Glue

Items Needed To Control Car



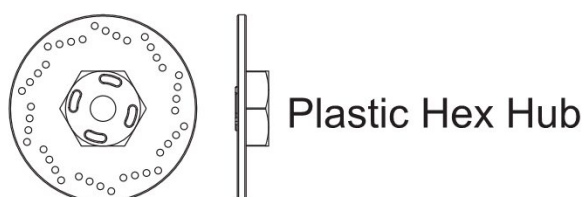
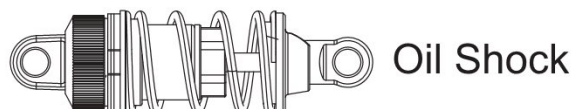
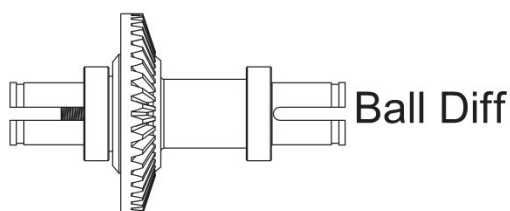
CARTEN M210 EP 1/10 M – CHASSIS

M210 Specification

DRIVETRAIN	Shaft Drive 4WD
Track Width	166mm
Wheelbase	208-210mm
Final Gear Ratio	2.35
Gear Ratio	5.46
Tire Diameter	55mm

Equipped

Full Baering	Aluminum Center Driver Shaft
Stell CVD Drive Shaft	Aluminum Spur Gear Hub
Carbon Fibre Chassis, Upper Deck, Shock Tower	Oil Shocks
Aluminum Motor Mount	Ball Differential



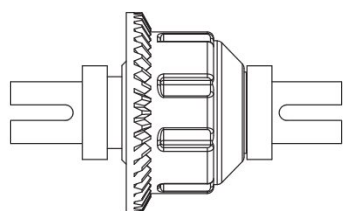
CARTEN M210-R EP 1/10 M – CHASSIS

M210-R Specification

DRIVETRAIN	Shaft Drive 4WD
Track Width	166mm
Wheelbase	208-210mm
Final Gear Ratio	2.47
Gear Ratio	4.56
Tire Diameter	55mm

Equipped

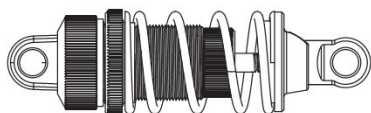
Full Baering	Aluminum Spur Gear Hub
Stell CVD Drive Shaf	Aluminum 12mm Hex Hub
Carbon Fibre Chassis , Upper Deck , Shock Tower	Aluminum Shocks
Aluminum Motor Mount	Metal Gear Differential
Aluminum Center Driver Shaft	Full Turnbuckle



Metal Gear Diff



Aluminum Hex Hub



Aluminum Shock



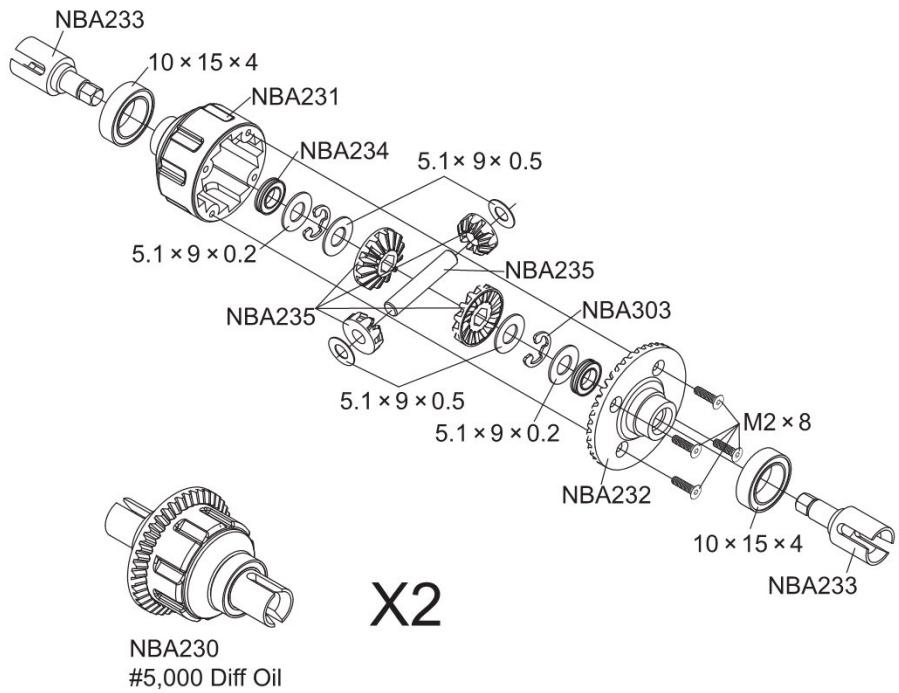
Turnbuckle



1







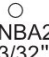

GEAR DIFF

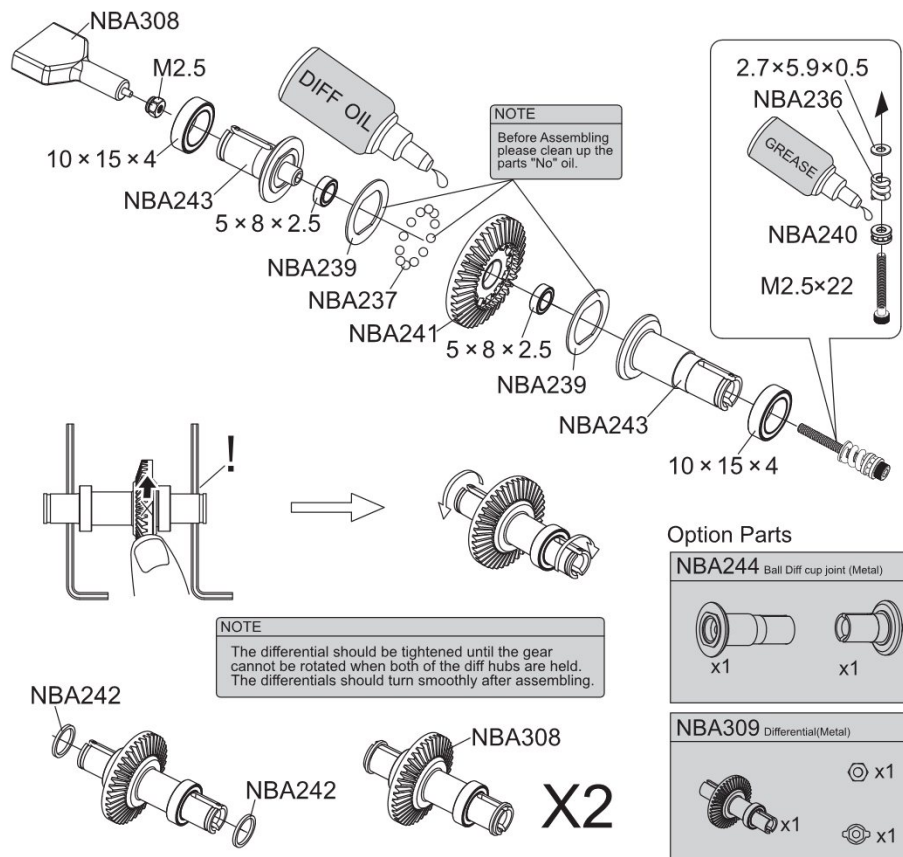
-  X4
NBA235
5.1×9×0.5mm
-  X2
NBA235
5.1×9×0.2mm
-  X2
NBA303
4.0mm
-  X4
NBA286
M2×8mm
-  X2
NBA299
10×15×4mm



2





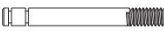
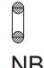






BALL DIFF

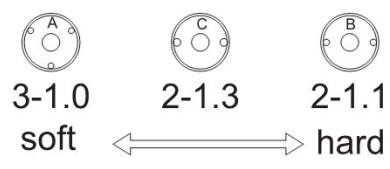
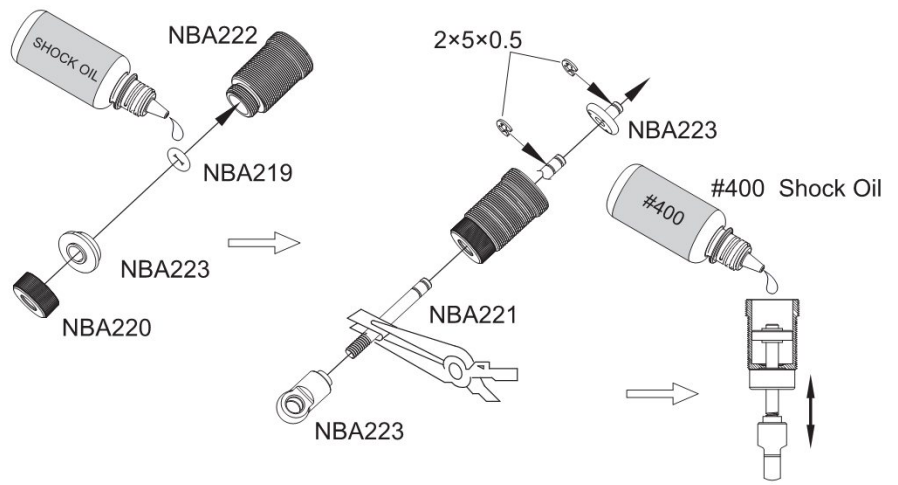
-  X1
NBA236
-  X1
NBA240
2.6×6×3mm
-  X2
NBA297
5×8×2.5mm
-  X2
NBA299
10×15×4mm
-  X1
NBA238
M2.5×22mm
-  X1
NBA238
M2.5
-  X12
NBA237
3/32"
-  NBA236
2.7×5.9×0.5mm
















ALUMINUM SHOCK

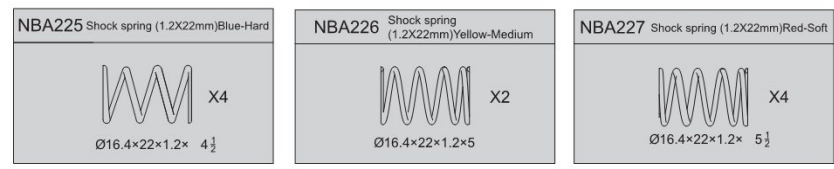
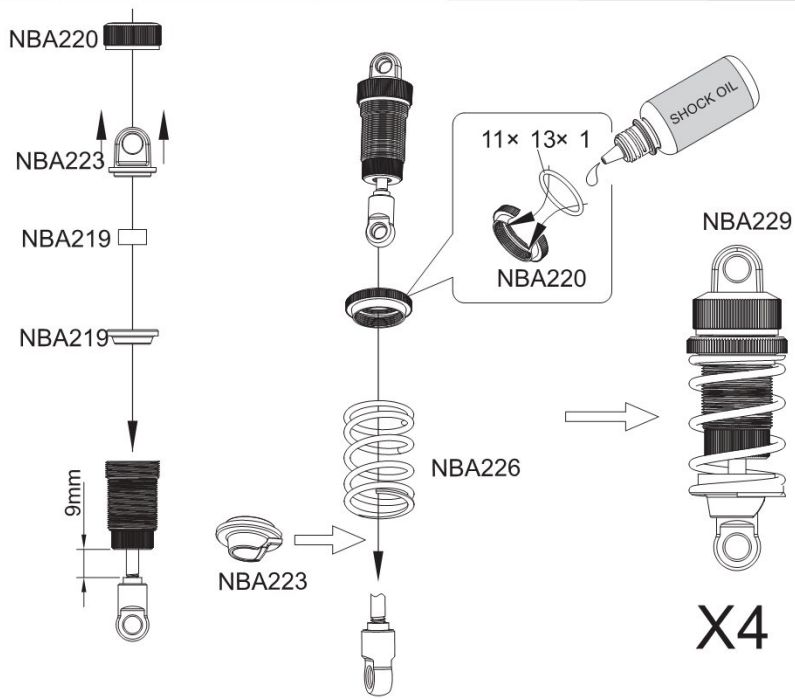
3

-  X1
NBA222
-   X1
NBA220
-  X2
NBA221
2×5×0.5mm
-  X1
NBA221
-   X1
NBA219
-   X1
NBA223
-   X1
NBA223
-  X1
NBA223



4

-   X1
NBA220
-   X1
NBA220
-   X1
NBA219
11×13×1mm
-  X1
NBA223
-   X1
NBA223
-   X1
NBA219
-   X1
NBA219



7

 X4

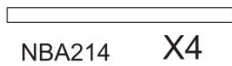
NBA280
M3×8mm

 X4

NBA290
M3×10mm

 X8

NBA211

 X4

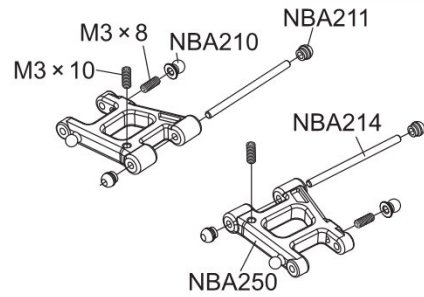
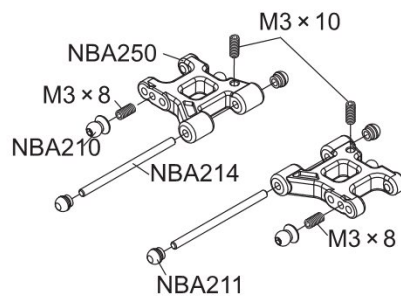
NBA214

 X4

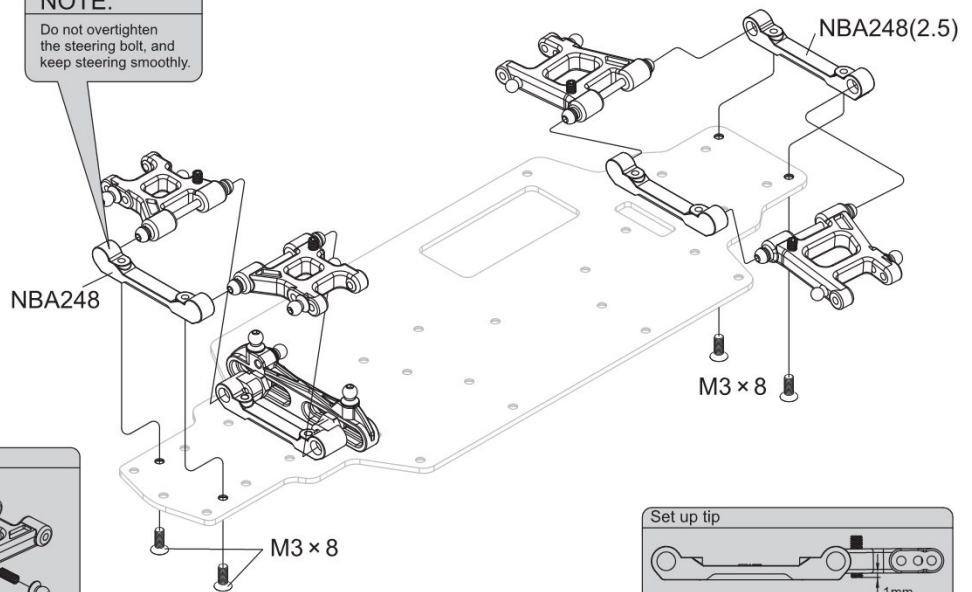
NBA289
M3×8mm

 X4

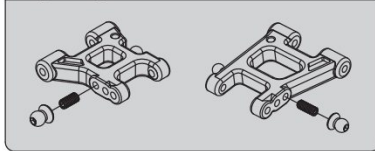
NBA210
3×8mm



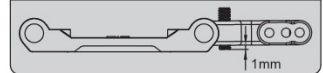
NOTE:
Do not overtighten the steering bolt, and keep steering smoothly.



Rally Setting



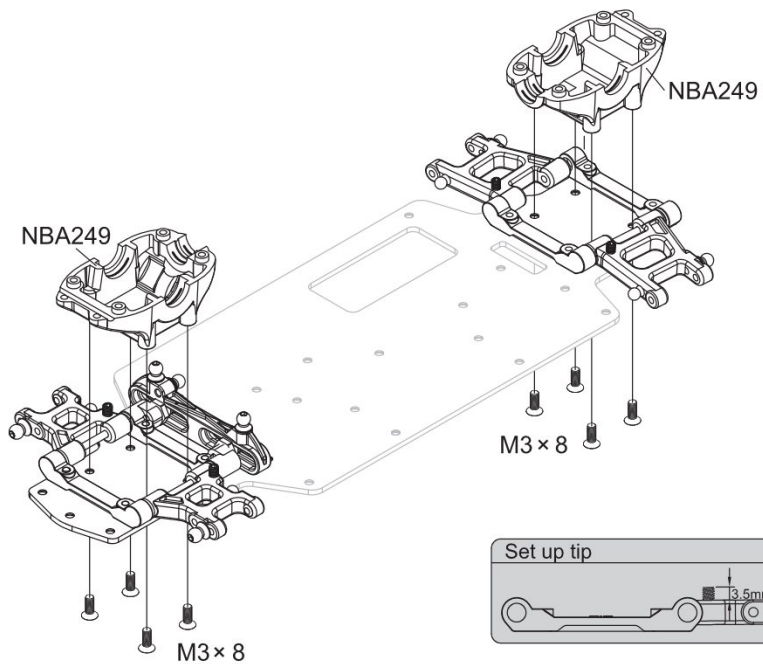
Set up tip



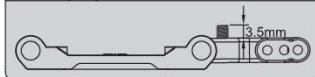
8

 X8


NBA280
M3×8mm



Set up tip



10

 X8

NBA281
M3×6mm

 X4

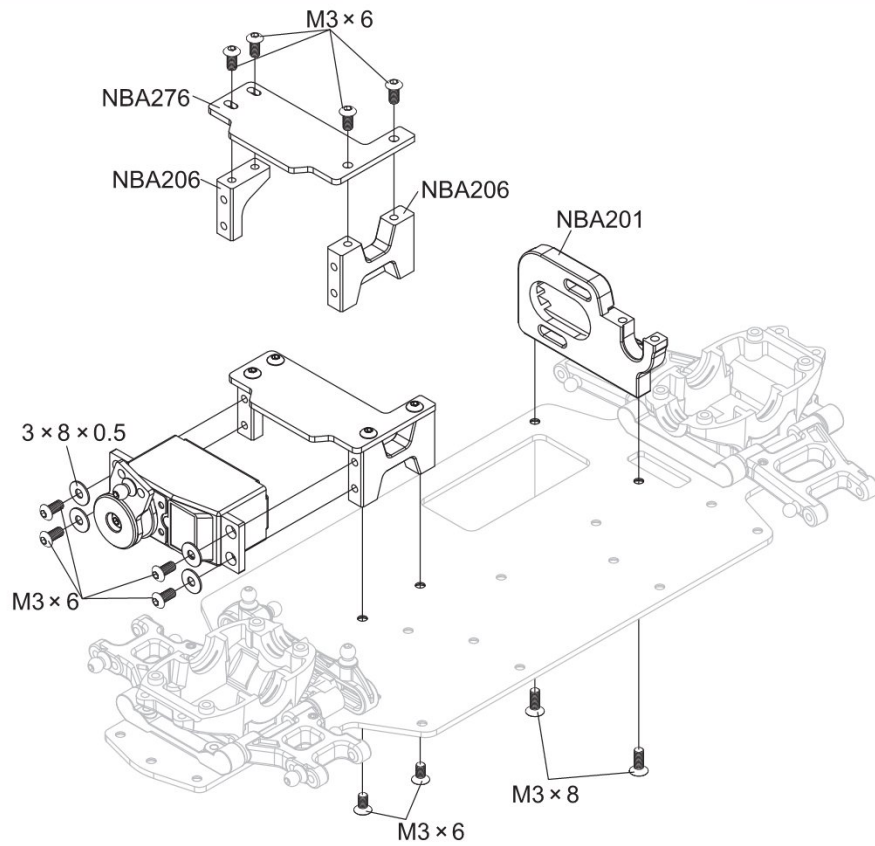
NBA302
3×8×0.5mm

 X2

NBA280
M3×8mm

 X2

NBA279
M3×6mm



11

 X1

NBA279
M3×6mm

 X1

NBA280
M3×8mm

 X4

NBA298
5×10×4mm

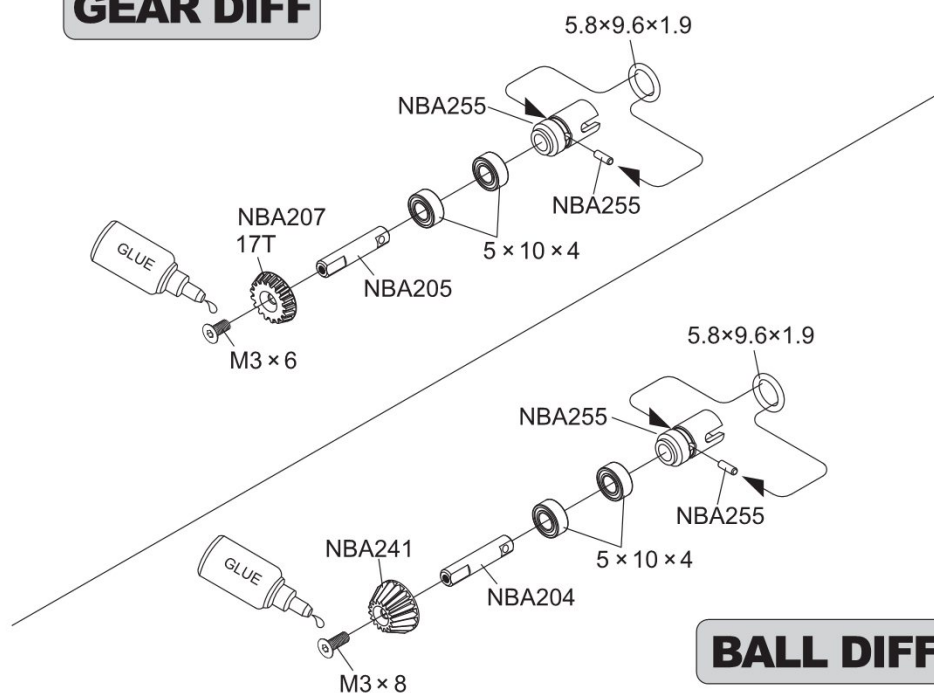
 X2

NBA306
5.8×9.6×1.9mm

 X2

NBA255
2×7.6mm

GEAR DIFF

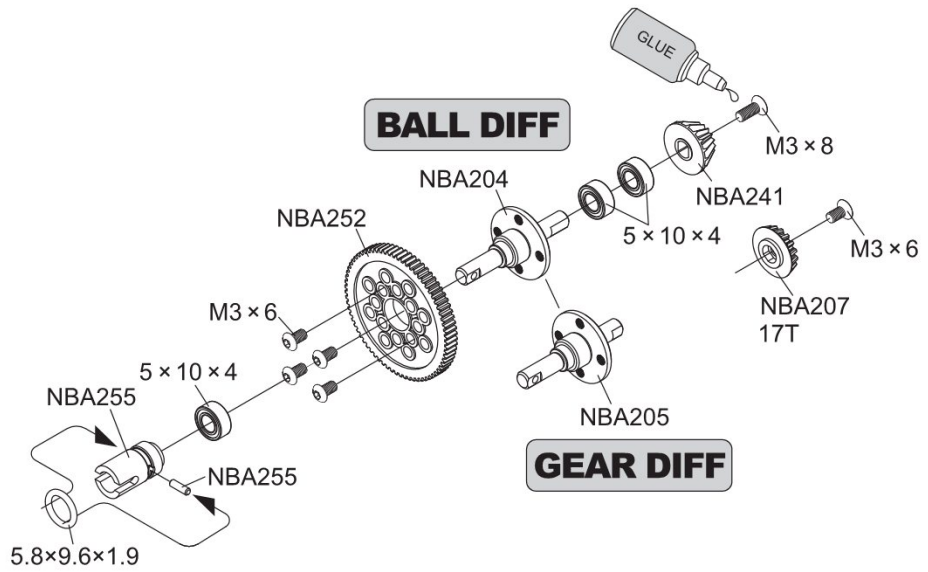


BALL DIFF





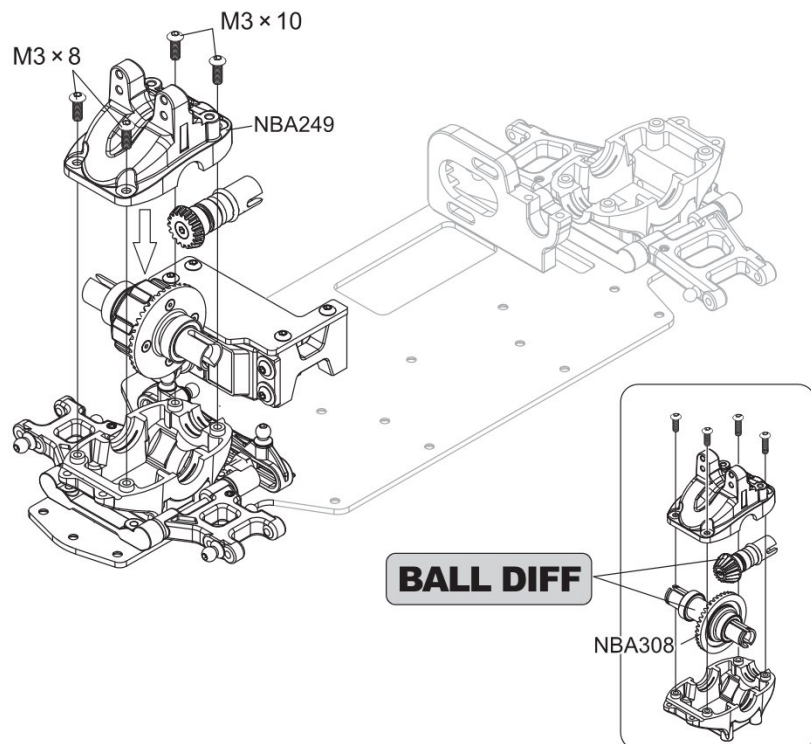
12

-  X1
NBA279
M3×6mm
-  X1
NBA280
M3×8mm
-  X6
NBA298
5×10×4mm
-  X2
NBA306
5.8×9.6×1.9mm
-  X2
NBA255
2×7.6mm
-  X8
NBA281
M3×6mm





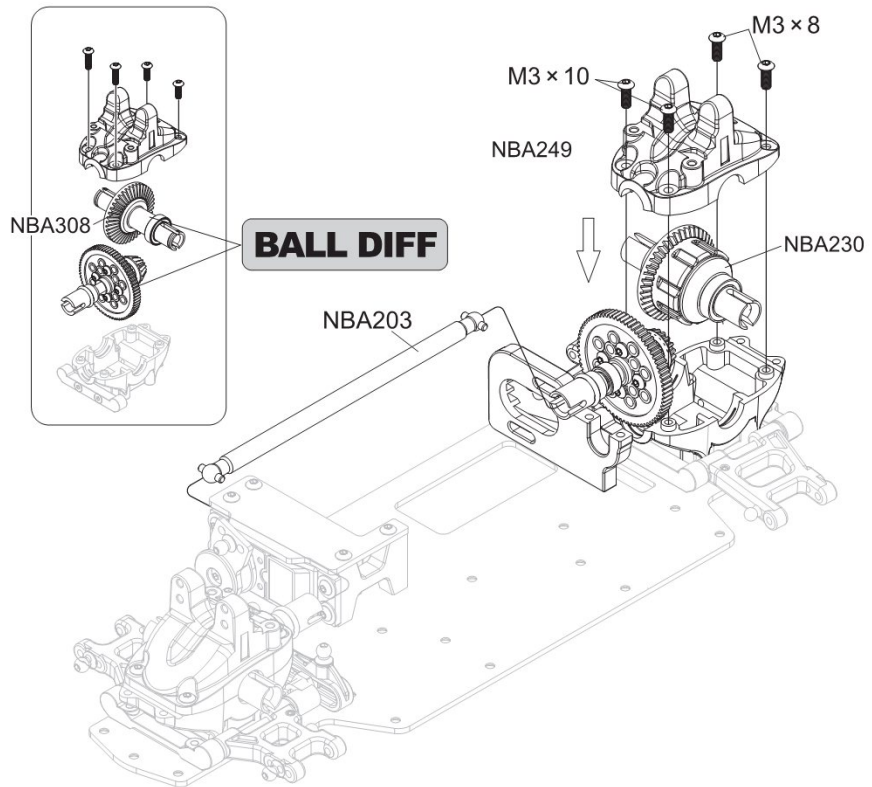
13

-  X2
NBA283
M3×10mm
-  X2
NBA282
M3×8mm

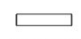





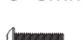




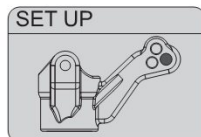
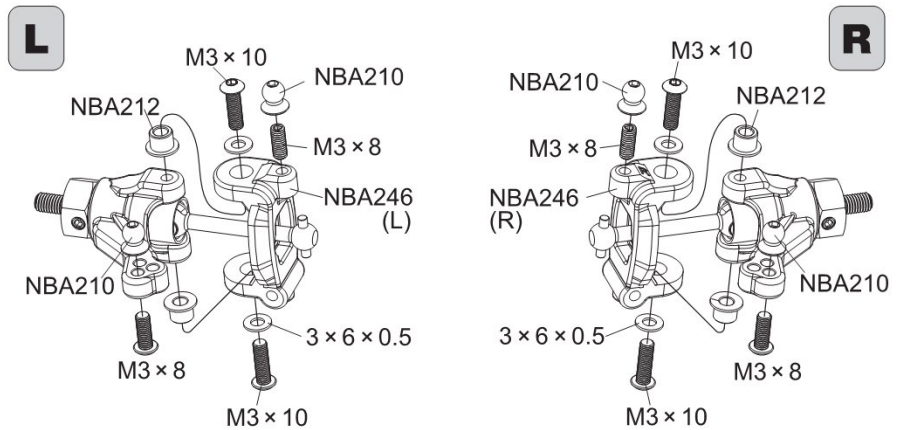
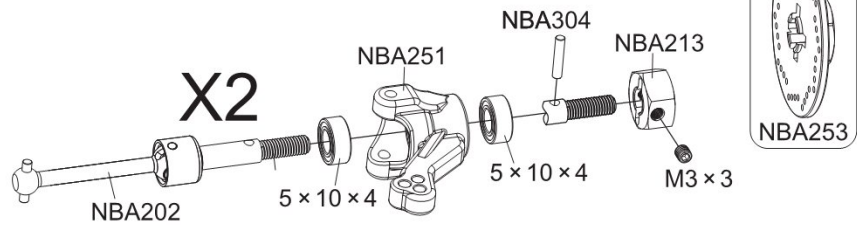
14

-  X2
NBA283
M3×10mm
-  X2
NBA282
M3×8mm








15

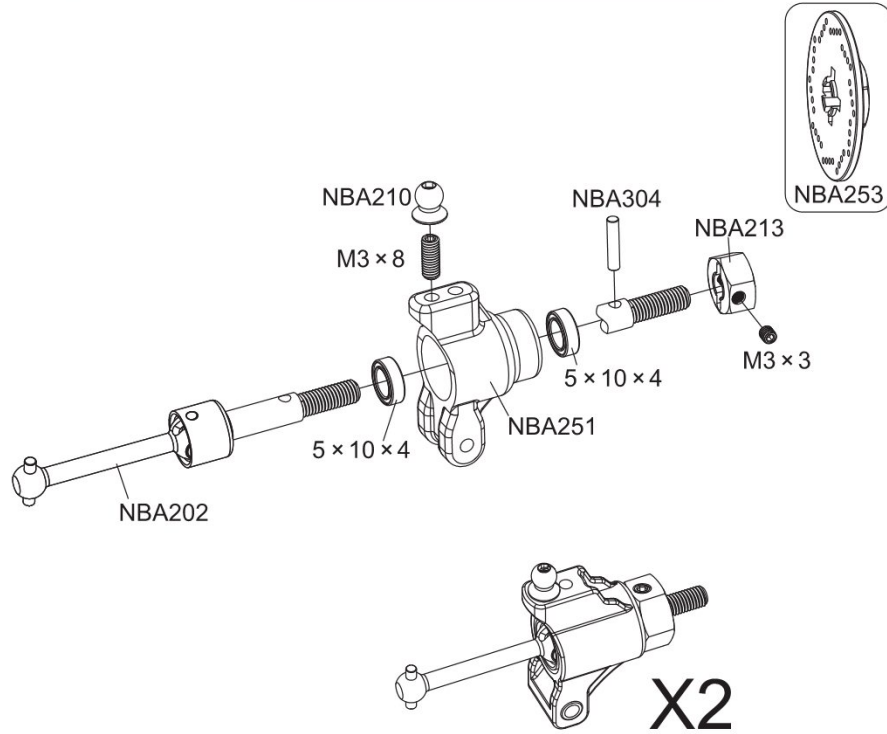
-  X2
NBA304
2×10mm
-  X4
NBA298
5×10×4mm
-  X4
NBA283
M3×10mm
-  X4
NBA212
3×7×4.2mm
-  X2
NBA289
M3×8mm
-  X4
NBA210
3×8mm
-  X2
NBA282
M3×8mm
-  X2
NBA287
M3×3mm
-  X4
NBA301
3×6×0.5mm




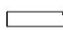


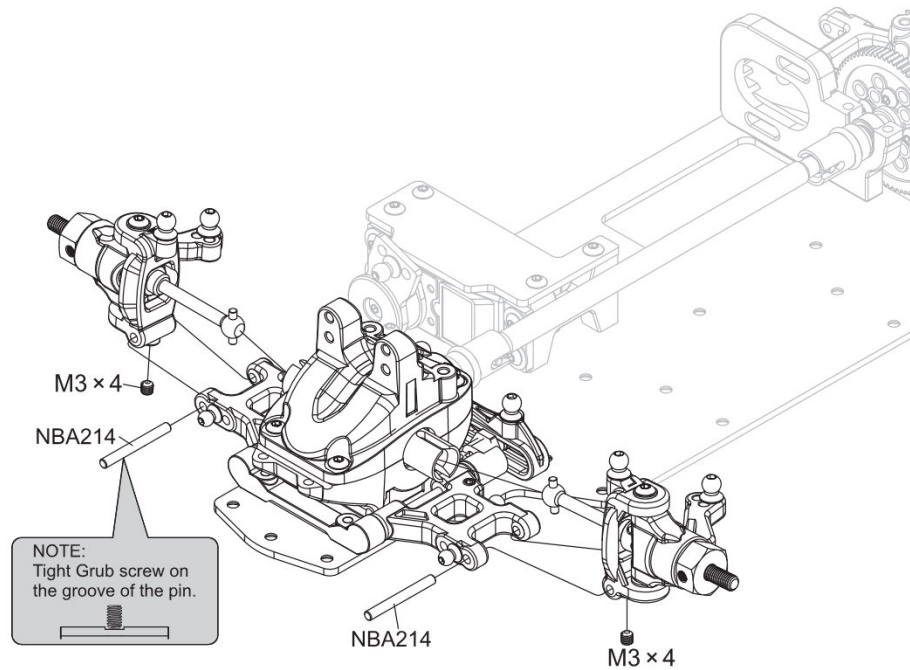
16

-  X4
 NBA298
 5×10×4mm
-  X2
 NBA304
 2×10mm
-  X2
 NBA289
 M3×8mm
-  X2
 NBA210
 3×8mm
-  X2
 NBA287
 M3×3mm

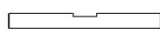


17

-  X2
 NBA288
 M3×4mm
-  X2
 NBA214
 2.5 × 23mm



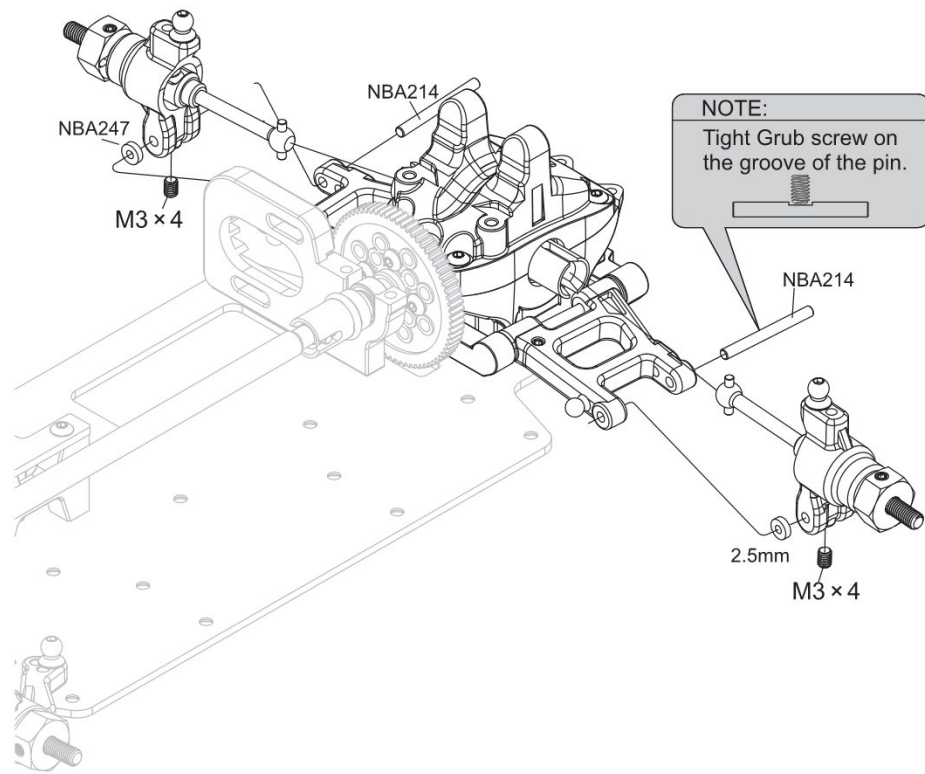
18

 X2

NBA214
2.5×26mm

 X2

NBA288
M3×4mm



19

 X2

NBA283
M3×10mm

 X4

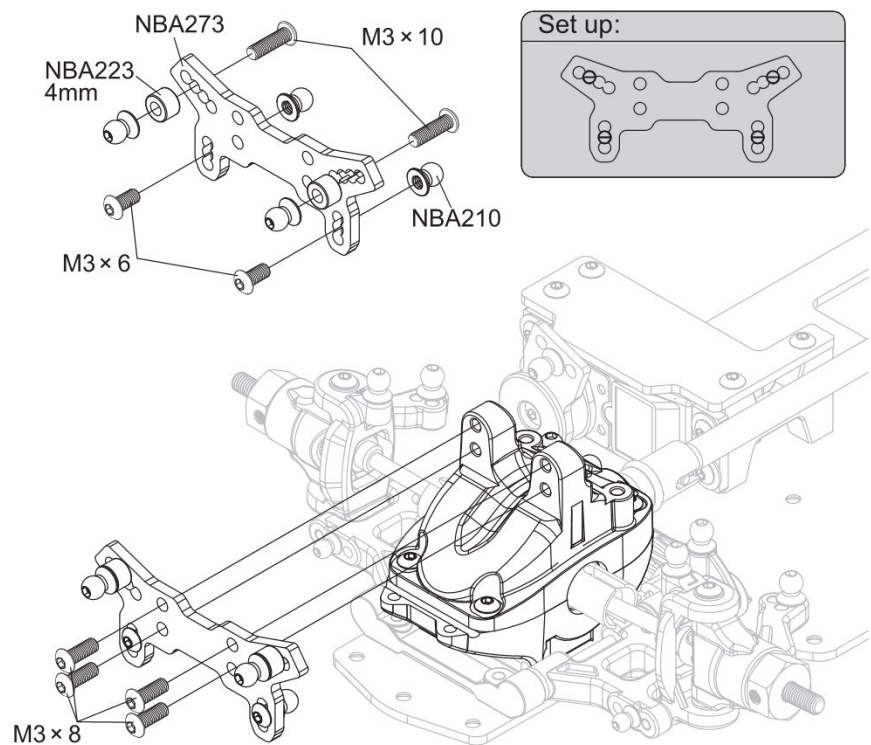
NBA282
M3×8mm

 X4

NBA210
3×8mm

 X2

NBA281
M3×6mm



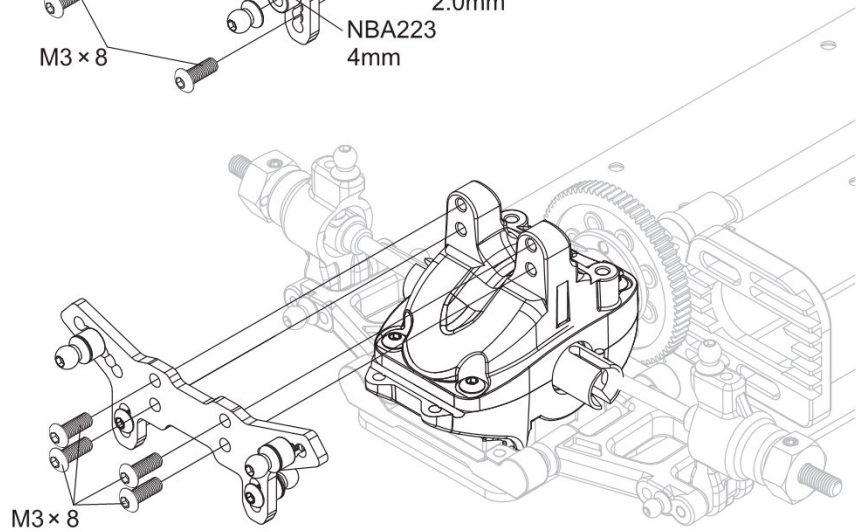
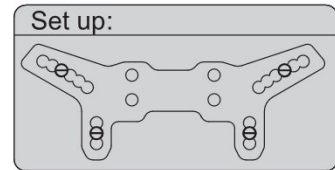
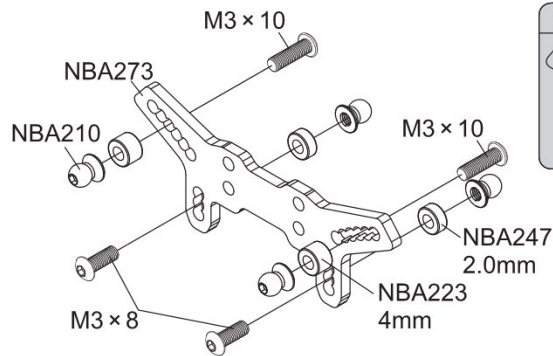


20

 X2
NBA283
M3×10mm

 X6
NBA282
M3×8mm

 X4
NBA210
3×8mm




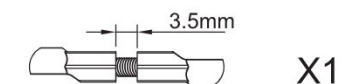
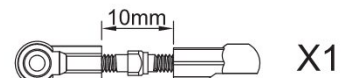
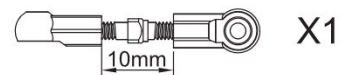
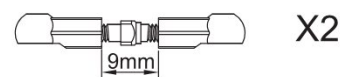
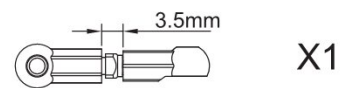
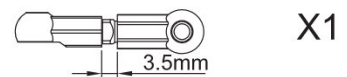
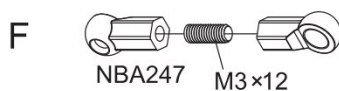
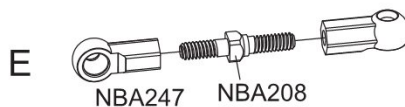
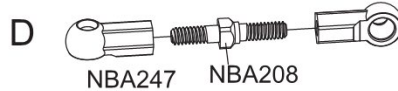
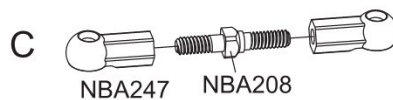
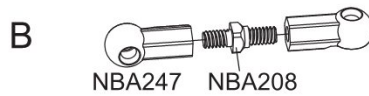
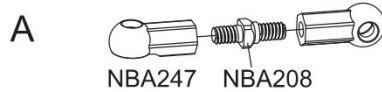
21

 X14
NBA247

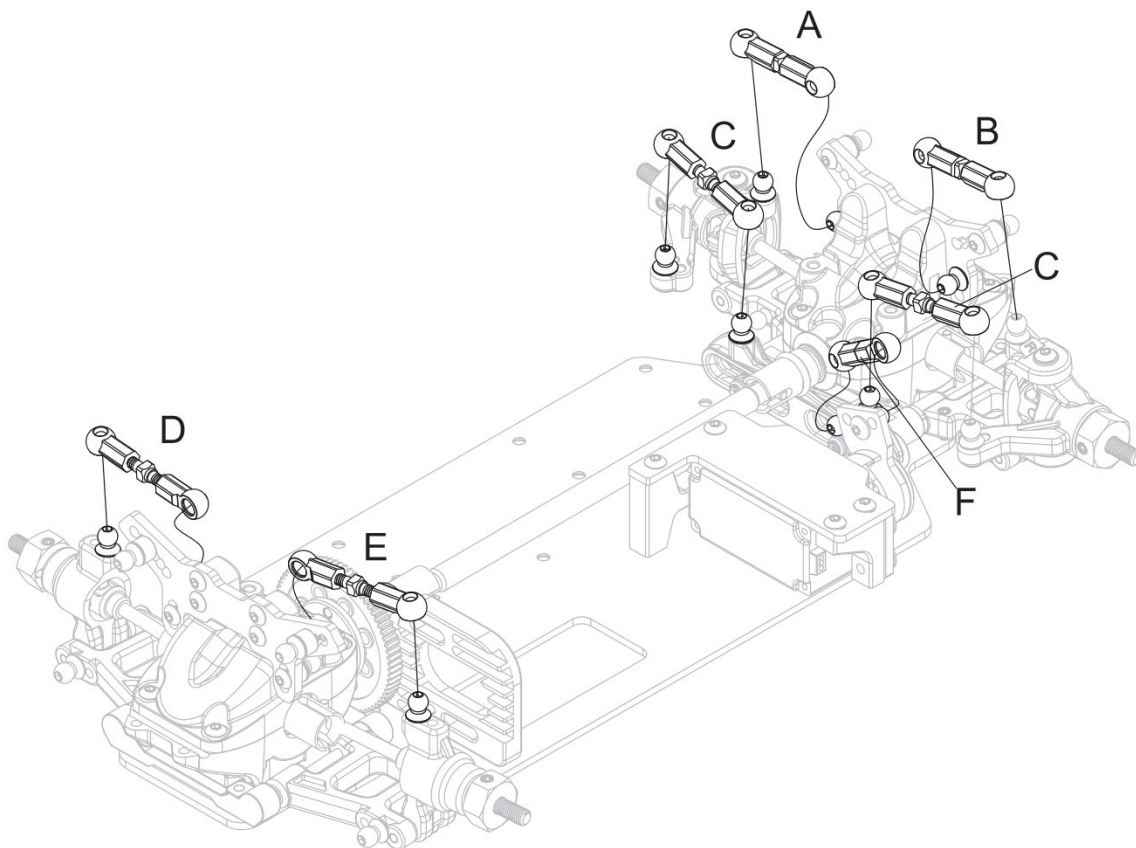
 X2
NBA208
M3×12mm

 X4
NBA208
M3×19mm


 X1
NBA289
M3×8mm




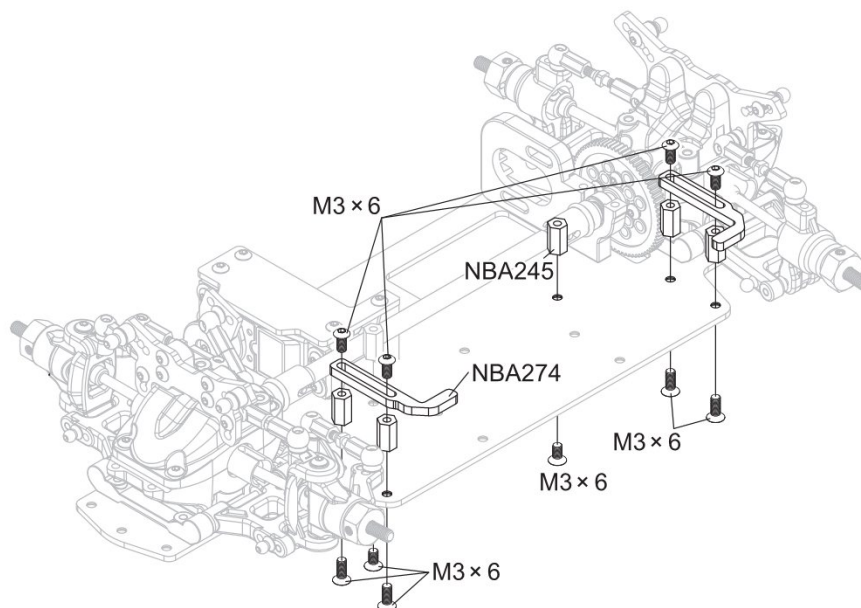
22



23

 X6
NBA279
M3×6mm

 X4
NBA281
M3×6mm





24

 X4

NBA282
M3×8mm

 X2

NBA285
M3×18mm

 X4

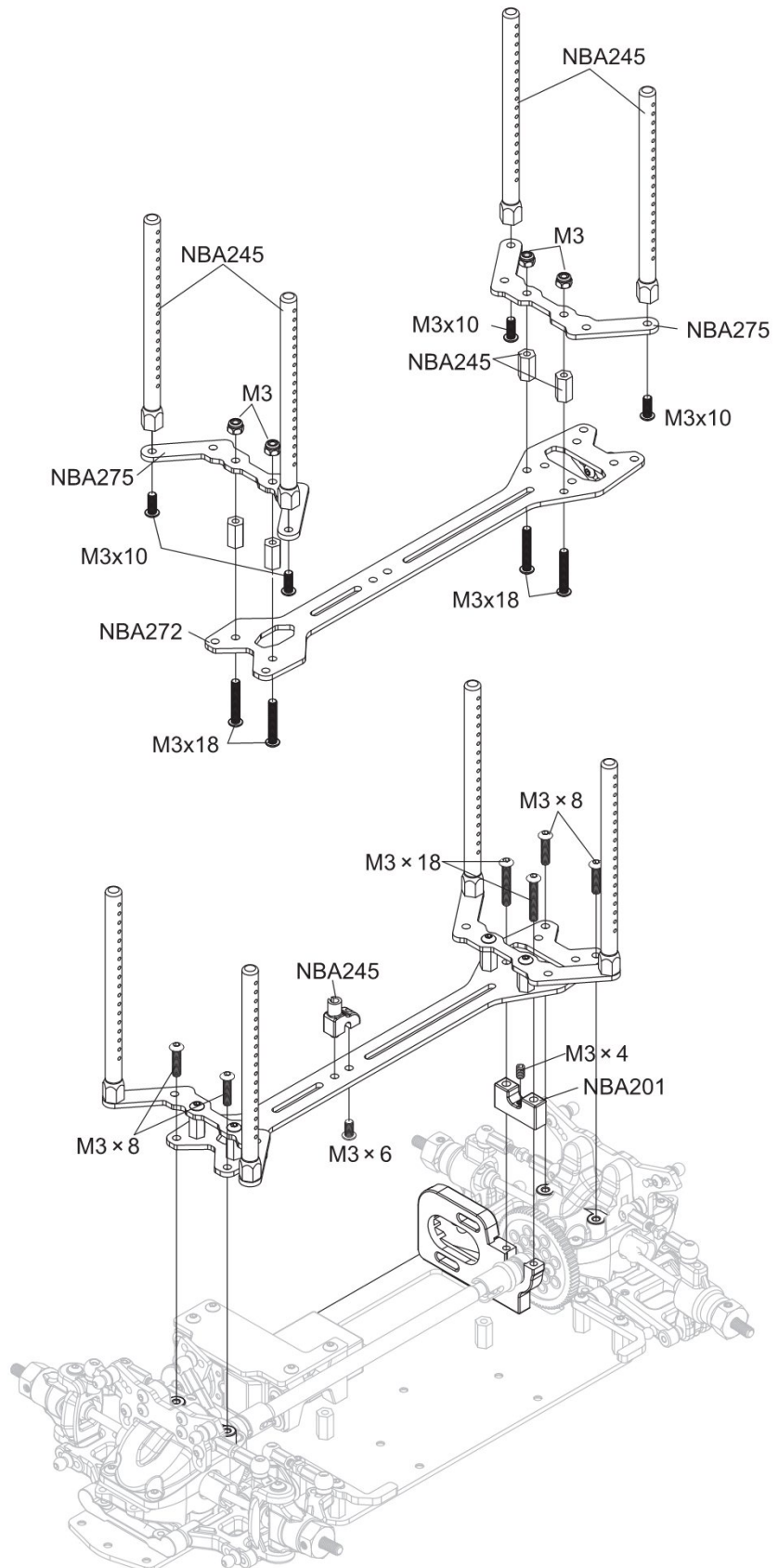
NBA283
M3×10mm

 X1

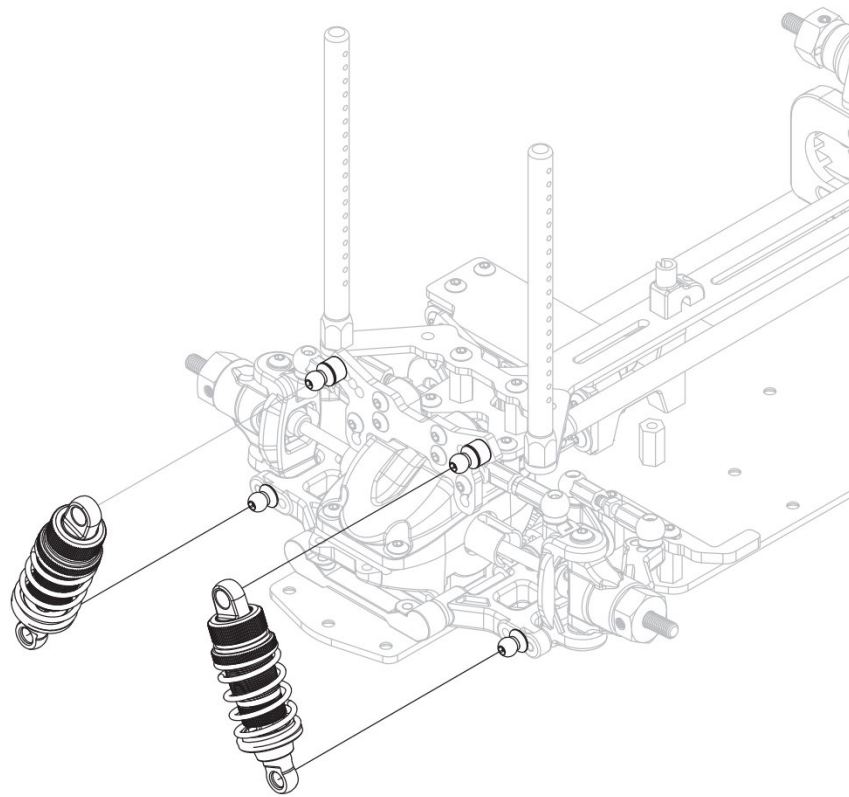
NBA288
M3×4mm

 X9

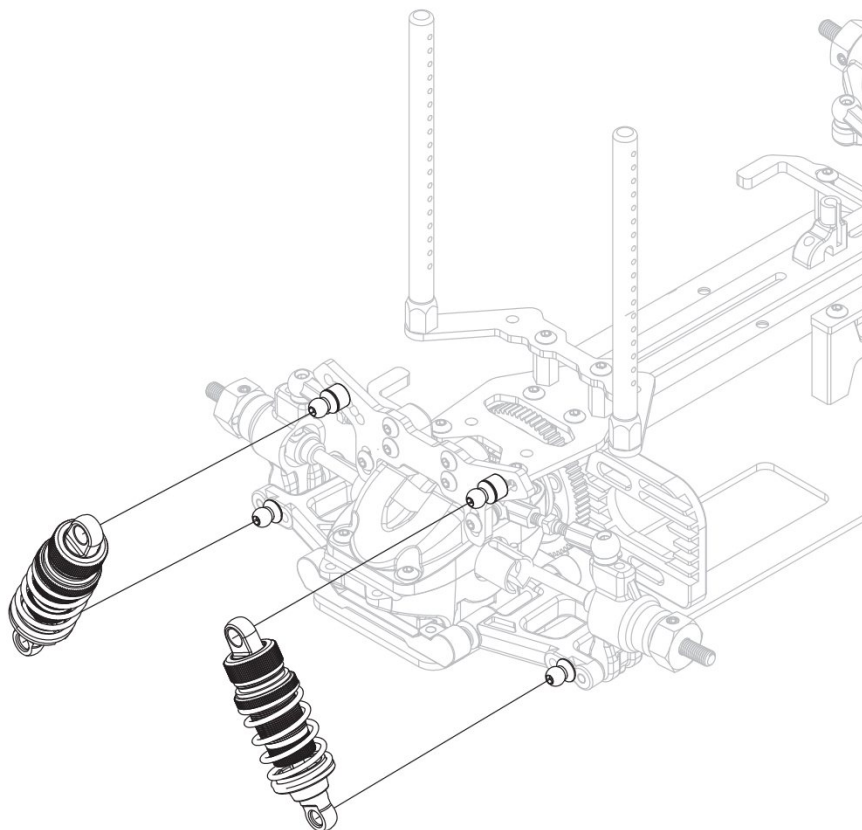
NBA281
M3×6mm



25



26





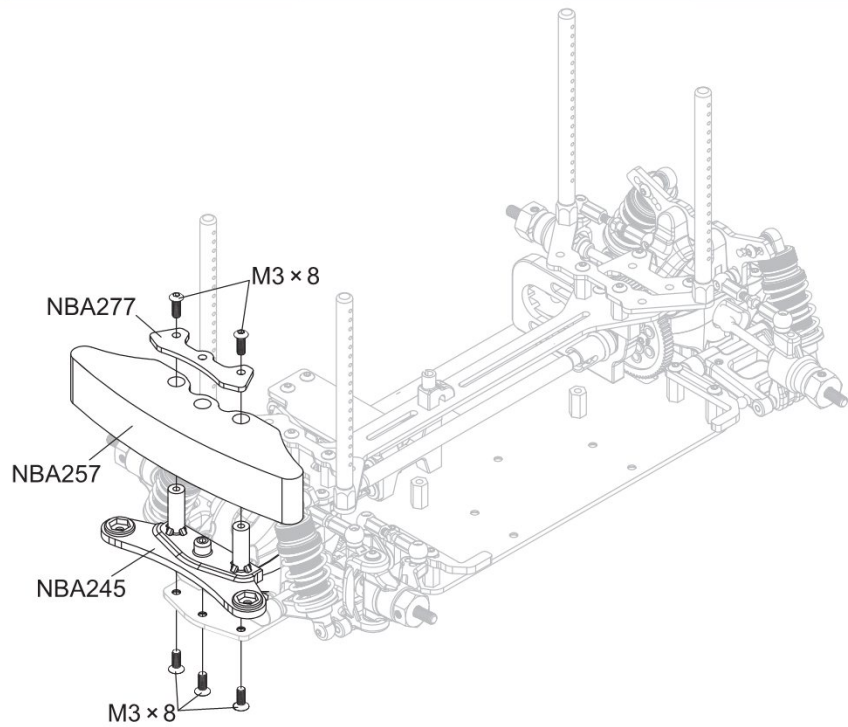
27

 X3

NBA280
M3×8mm

 X2

NBA282
M3×8mm



28

 X2

NBA283
M3×10mm

 X2

NBA302
3×8×0.5


 X1

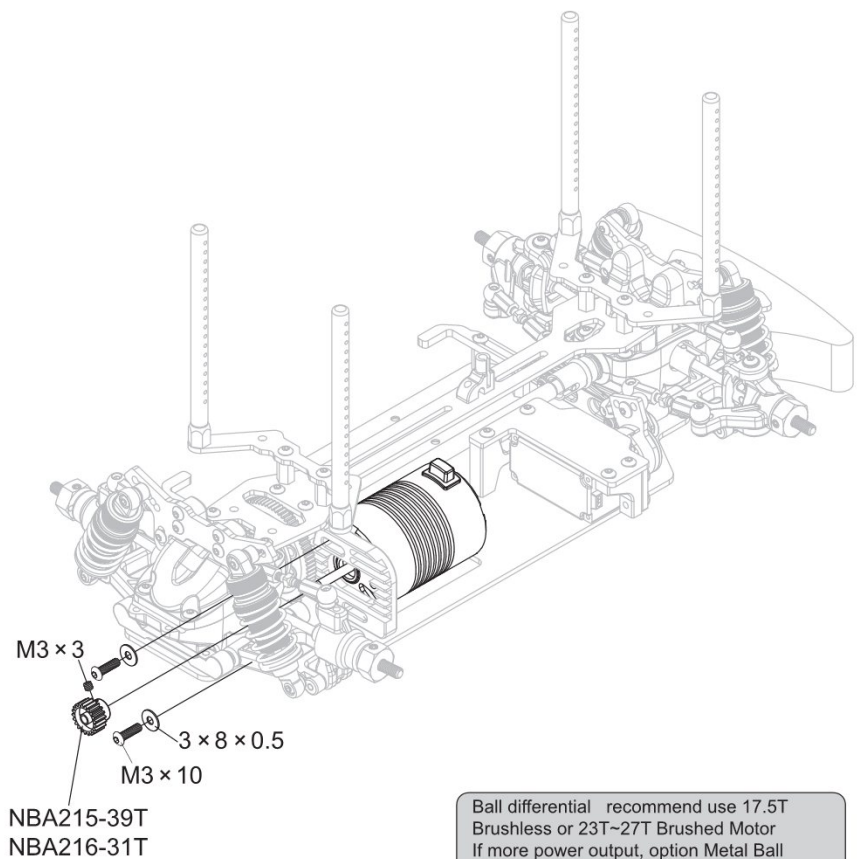
NBA287
M3×3mm

NBA215 _{39T-48P} Pinon Gear(Aluminum)	 x1	■ x1
------------------------------------------------	----------------------------------------------------------------------------------------	------

NBA216 _{31T-48P} Pinon Gear(Metal)	 x1	■ x1
---------------------------------------------	----------------------------------------------------------------------------------------	------

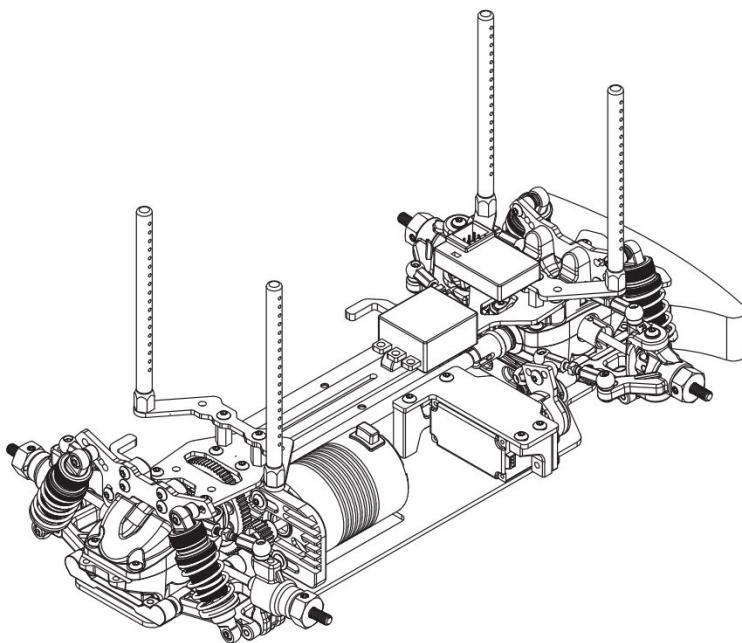
NBA217 _{31T-48P} Pinon Gear(Aluminum)	 x1	■ x1
------------------------------------------------	----------------------------------------------------------------------------------------	------

NBA218 _{27T-48P} Pinon Gear(Metal)	 x1	■ x1
---------------------------------------------	----------------------------------------------------------------------------------------	------



Ball differential recommend use 17.5T
Brushless or 23T~27T Brushed Motor
If more power output, option Metal Ball
Differential (NBA309) or Gear Differential Set
(NBA310)

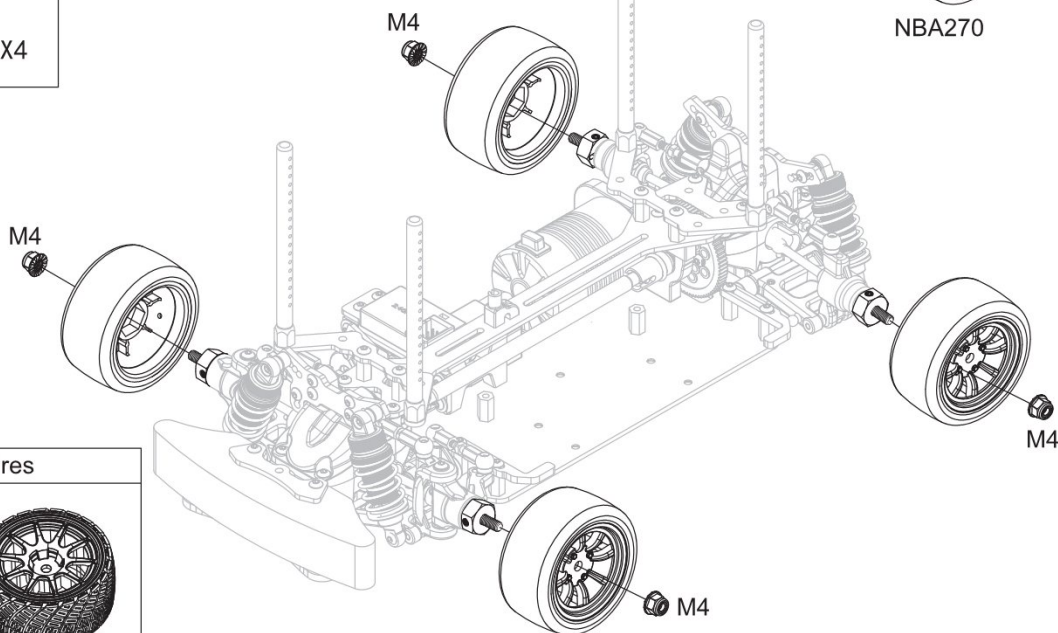
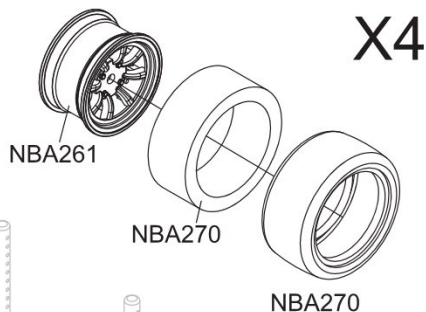
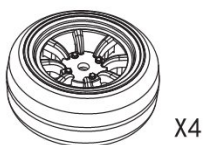
29



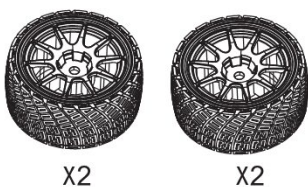
30

 X4
NBA295
M4

NBA328 M-Drift Tires

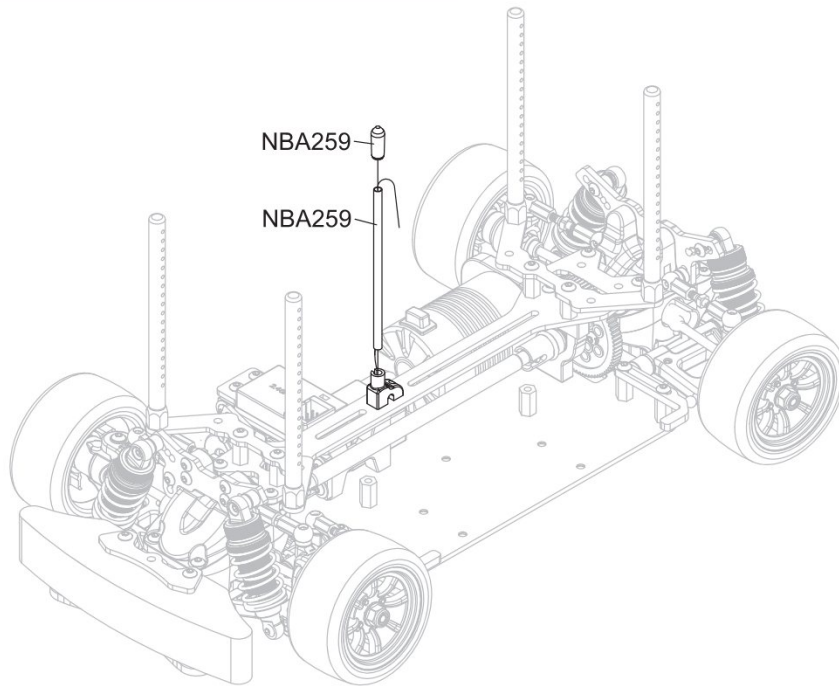


NBA330 M-Rally Tires

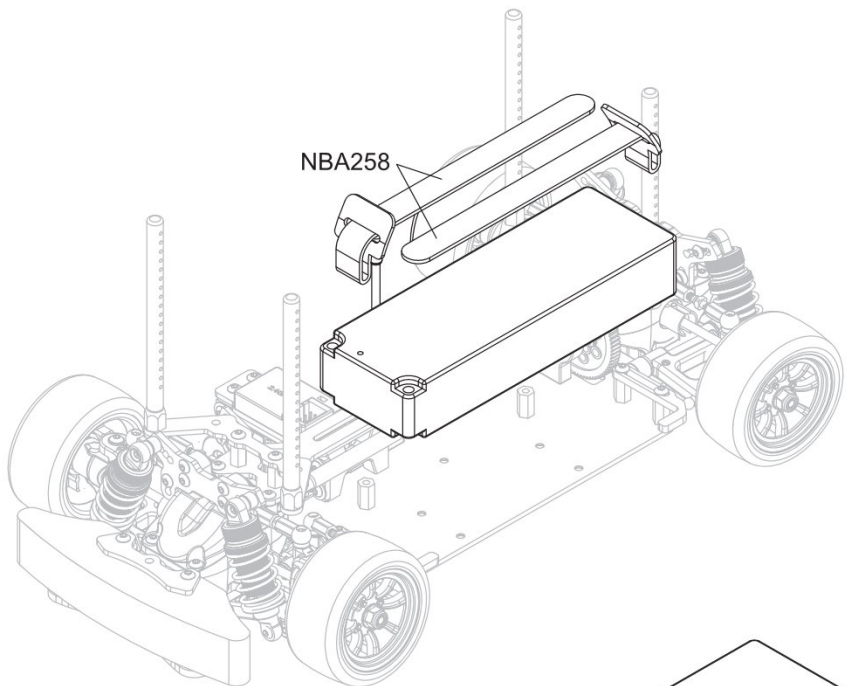
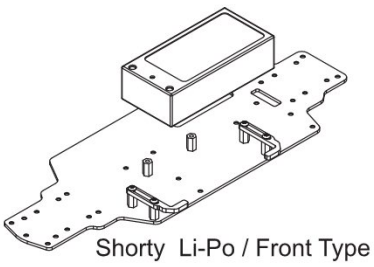
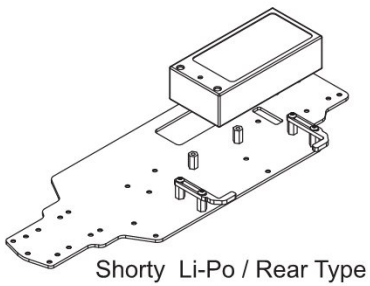




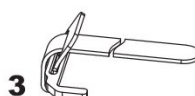
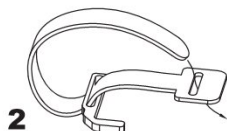
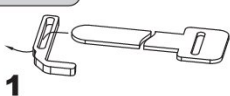
31



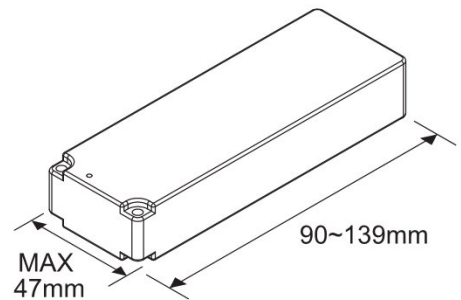
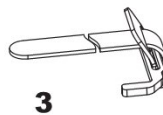
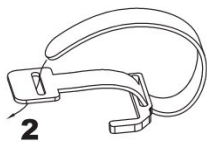
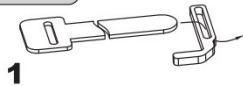
32



Front

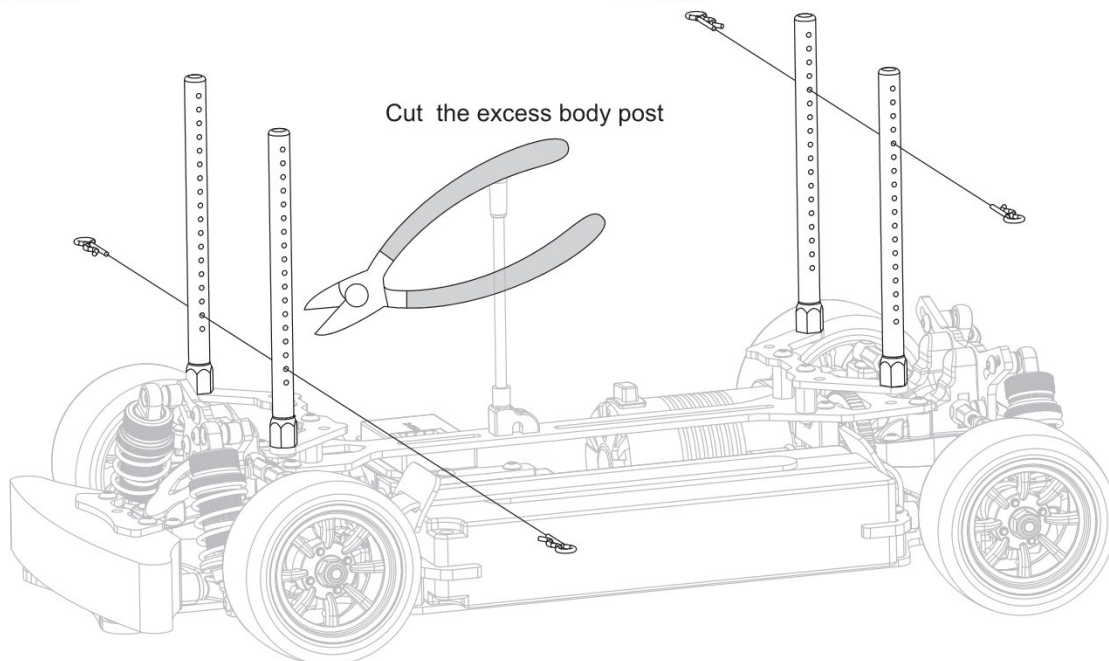


Rear



 X8
NBA305

NBA305



NBA802



NBA801



NBA803






NBA805



NBA806

OP

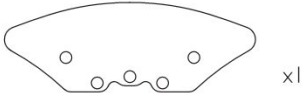
Option Parts Assembly Manual

-  X3
NBA280
M3×8mm
-  X2
NBA282
M3×8mm
-  X8
NBA305

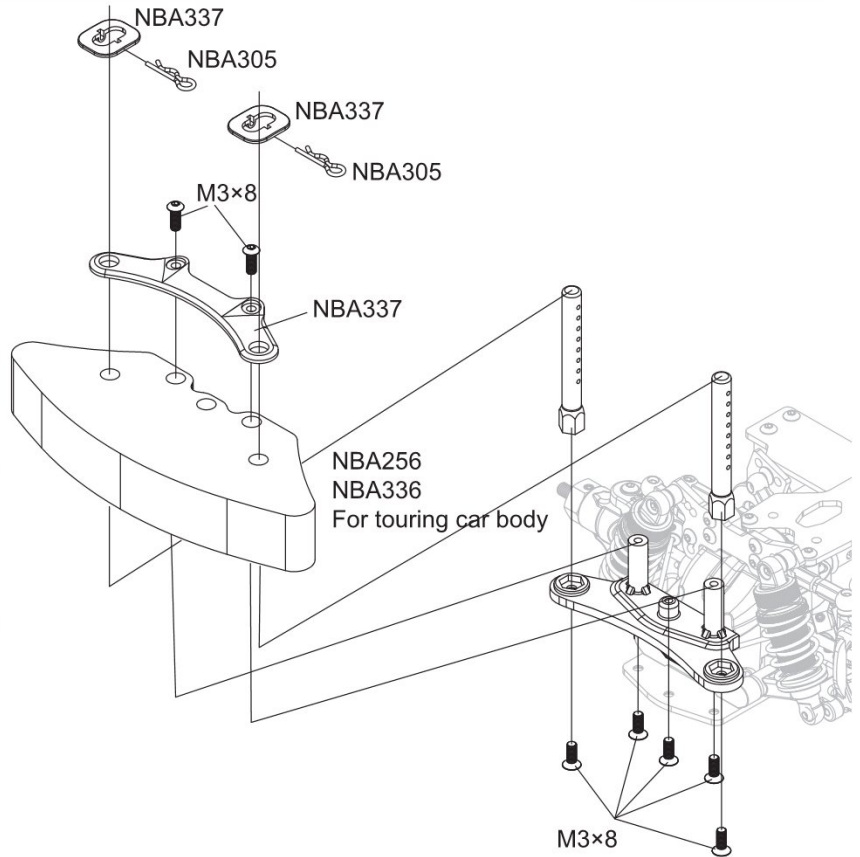
NBA278 Bumper Plate (For Sedan Body)



NBA336 Bumper For Touring Car Body








NBA337 Bumper Plate & Body Post Spacer

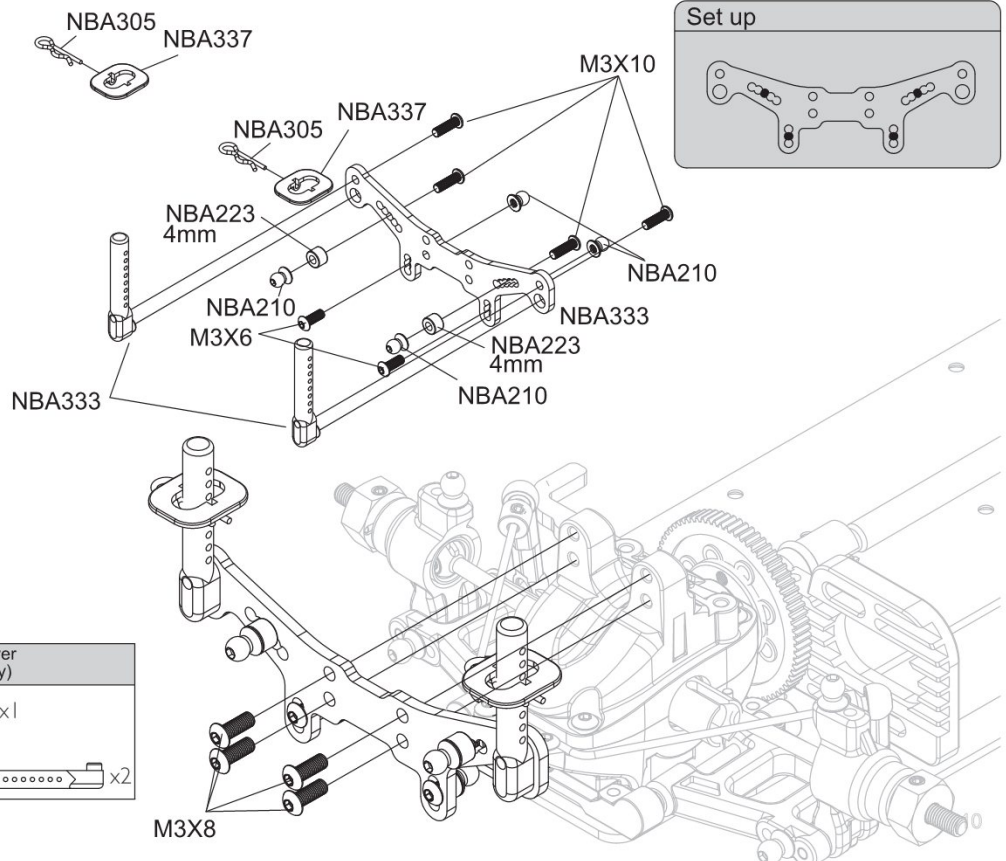
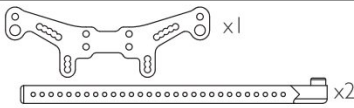


OP

Option Parts Assembly Manual

-  X2
NBA283
M3×10mm
-  X4
NBA282
M3×8mm
-  X4
NBA210
3×8mm
-  X2
NBA281
M3×6mm
-  X8
NBA305

NBA333 Rear Shock Tower (For Sedan Body)



M210 GEAR RATIO

SPUR GAER	BALL DIFF (40/17)	GEAR DIFF(42/17)
72	2.35	2.47
PINION GEAR	BALL DIFF GEAR RATIO	GERA DIFF GEAR RATIO
21	8.07	8.47
22	7.70	8.08
23	7.37	7.73
24	7.06	7.41
25	6.78	7.11
26	6.52	6.84
27	6.27	6.59
28	6.05	6.35
29	5.84	6.13
30	5.65	5.93
31	5.47	5.74
32	5.29	5.56
33	5.13	5.39
34	4.98	5.23
35	4.84	5.08
36	4.71	4.94
37	4.58	4.81
38	4.46	4.68
39	4.34	4.56
40	4.24	4.45
41	4.13	4.34
42	4.03	4.23
43	3.94	4.14
44	3.85	4.04

M210 RALLY GEAR RATIO

SPUR GAER	BALL DIFF (40/17)	GEAR DIFF(42/17)
68	2.35	2.47
PINION GEAR	BALL DIFF GEAR RATIO	GERA DIFF GEAR RATIO
25	6.40	6.72
26	6.15	6.46
27	5.93	6.22
28	5.71	6.00
29	5.52	5.79
30	5.33	5.60
31	5.16	5.42
32	5.00	5.25
33	4.85	5.09
34	4.71	4.94
35	4.57	4.80
36	4.44	4.67
37	4.32	4.54
38	4.21	4.42
39	4.10	4.31
40	4.00	4.20
41	3.90	4.10
42	3.81	4.00
43	3.72	3.91
44	3.64	3.82
45	3.56	3.73
46	3.48	3.65

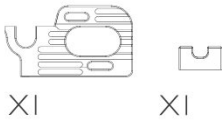


Radio system instruction manual download



A series of horizontal dashed lines for writing, spanning the width of the page below the 'MEMO' header.

NBA201 Motor Mount



NBA209 Steering Bolt



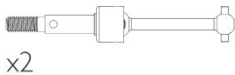
NBA221 Shock shafts



NBA230 Gear Differential



NBA202 Universal Shafts



NBA211 Pivot Ball Stud



NBA222 Shock Body(Aluminum)



NBA231 Gear Diff Case



NBA210 4.8x6 mm Ball Stud



NBA212 steering Bush



NBA223 Shock Parts



NBA232 42T Bevel Gear (Metal)



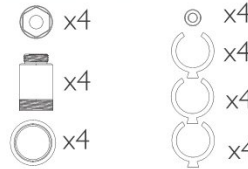
NBA203 Center Drive Shaft (210mm Chassis)



NBA213 12MM Hex Hub



NBA224 Plastic Shock



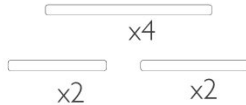
NBA233 Gear Diff Cup Joint



NBA204 Drive Shaft And Spur Gear Hub (For Ball Diff)



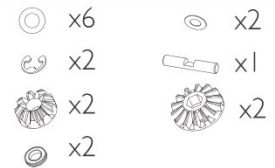
NBA214 Suspension Shaft Set



NBA225 Shock spring(1.2X22mm)Blue-Hard



NBA235 Gear Diff Bevel Gear Set



NBA205 Drive Shaft And Spur Gear Hub (For Gear Diff)



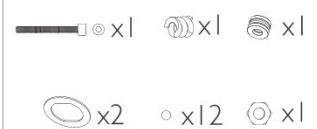
NBA215 39T-48P Pinon Gear (Aluminum)



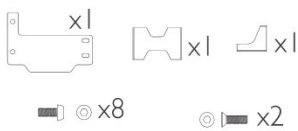
NBA226 Shock spring (1.2X22mm)Yellow-Medium



NBA236 Ball Diff Parts Set



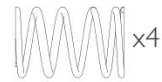
NBA206 Servo Mount Set



NBA217 31T-48P Pinon Gear (Aluminum)



NBA227 Shock spring (1.2X22mm) Red-Soft



NBA237 Diff Ball (3/32)



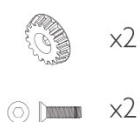
NBA218 27T-48P Pinon Gear (Metal)



NBA238 Ball Diff Screw Set



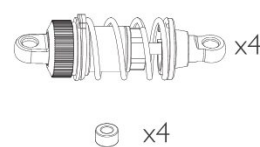
NBA207 17T Metal Bevel Gear(Gear Diff)



NBA219 Shock Parts(O-rings)



NBA228 Shock Set(Plastic)



NBA239 Ball Diff Shim



NBA208 Turnbuckle Set (M3x12 /M3x19)



NBA220 Shock Body sets(Aluminum)



NBA229 Shock Set(Aluminum)



NBA241 Diff gears(Ball Diff)



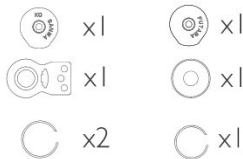
NBA242 Diff O-rings(Ball Diff)



NBA243 Ball Diff cup joint (Plastic)



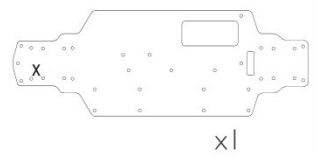
NBA254 Servo Saver



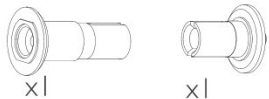
NBA263 8 Spoke Wheel +4mm (Silver)



NBA271 Main Chassis



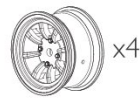
NBA244 Ball Diff cup joint (Metal)



NBA255 Cup Jiont



NBA264 8 Spoke Wheel +4mm (Gray)



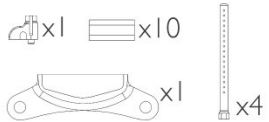
NBA272 Upper Deck



NBA273 Shock Tower (Front& Rear)



NBA245 Front Bumper Hold And Body Mount



NBA256 Bumper For Sedan Body



NBA265 8 Spoke Wheel +4mm (Black)



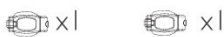
NBA274 Battery Holder



NBA275 Body Mount Plate



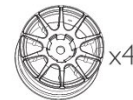
NBA246 Front Hub Carrier L/R



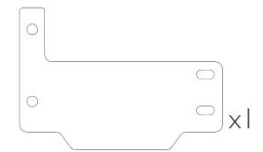
NBA257 Bumper For Hatchback Body



NBA266 10 Spoke Wheel +1mm (Silver)



NBA276 Servo Plate



NBA247 Ball End (4.8mm)



NBA248 Suspension Mount Parts



NBA258 Battery Strap



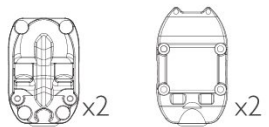
NBA267 10 Spoke Wheel +1mm (Gray)



NBA277 Bumper Plate (For Hatchback Body)



NBA249 Gear box



NBA260 8 Spoke Wheel +1mm (Silver)



NBA268 10 Spoke Wheel +4mm (Silver)



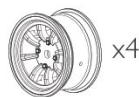
NBA279 Screw Set-FH M3x6



NBA250 Arms Set (F and R)



NBA261 8 Spoke Wheel +1mm (Gray)



NBA269 10 Spoke Wheel +4mm (Gray)



NBA281 Screw Set-BH M3x6



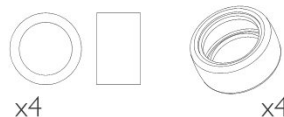
NBA251 Hub carrier



NBA262 8 Spoke Wheel +1mm (Black)



NBA270 Tires



NBA282 Screw Set-BH M3x8



NBA252 Spur Gear 72T



NBA262 8 Spoke Wheel +1mm (Black)



NBA270 Tires



NBA283 Screw Set-BH M3x10



NBA253 Hex Hub (5MM)



NBA284 Screw Set-BH M3x12



M210 PART LIST

NBA285 Screw Set-BH M3x18



x10

NBA286 Screw Set-FH M2x8



x10

NBA287 Set Screw M3x3



x10

NBA288 Set Screw M3x4



x10

NBA289 Set Screw M3x8



x10

NBA290 Set Screw M3x10



x4

NBA291 Set Screw M3x12



x10

NBA292 Set Screw M3x18



x10

NBA293 Set Screw M3x20



x10

NBA294 M3 Nut



x10

NBA295 M4 Nut



x4

NBA296 Bearing 3x6x2.5



x4

NBA297 Bearing 5*8*2.5



x2

NBA298 Bearing 5x10x4



x8

NBA299 Bearing 10x15x4



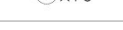
x4

NBA300 Spacer Set 3x6x2.5



x4

NBA301 Washer(3*6.5*0.5mm)



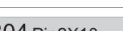
x10

NBA302 Washer(3*8*0.5mm)



x10

NBA303 E-Clip



x5

NBA304 Pin2X10



x10

NBA305 Body pinS



x12

NBA306 O-Ring



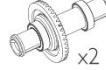
x10

NBA307 Washer(11*14*0.2mm)



x10

NBA308 Differential(Plastic)



x2

x1

NBA309 Differential(Metal)



x1

x1

NBA310 Gear Differential Set



x2

x3



x2

x2



x1

x1

NBA311 Sway Bar



x1

x8



x1

x2



x1

x4



x1

x4



x4

x2

NBA312 Fan Holder (For 30mm Fan)



x1

x2



x4

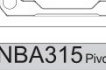
x2

NBA313 Pivot Block (ALUMINUM) 3°



x1

NBA314 Pivot Block (ALUMINUM) 0°



x1

NBA315 Pivot Block (ALUMINUM) 2.5°



x1

NBA316 Pivot Block (ALUMINUM)



x1

NBA317 Steering Mount (ALUMINUM)



x1

NBA318 Aluminum Hex 5.5 x 10mm



x10

NBA319 10 Spoke Wheel +1mm (Black)



x4

NBA320 10 Spoke Wheel +4mm (Black)



x4

NBA321 Solid Axle(40T/17T Plastic)



x2

x2

x2

x3



x3

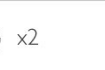


x2



x1

NBA322 Plastic 40T/17T Bevel Gear (For Solid Axle)



x2

x2

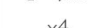
NBA323 Solid Axle(42T/17T Metal)



x1

x1

x1



x4



x2



x2

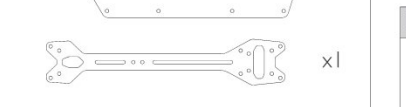


x3

NBA324 225mm Chassis Kit



x1



x1



x1

NBA325 42T Metal Bevel Gear (for Solid Axle)



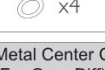
x1

x4

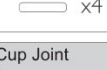
NBA326 Metal Center Cup Joint (For Ball Diff)



x2



x4



x4

NBA327 Metal Center Cup Joint (For Gear Diff)



x1



x1



x4



x4

NBA328 M-Drift Tires + Wheels 8 Spoke +1mm (Black)



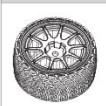
x4

NBA329 M-Drift Tires + Wheels 10 Spoke +1mm (Black)



x4

NBA330 M-Rally Tires + Wheels 10 Spoke White +1mm (4PCS)



x2



x2

NBA331 M-Rally Tires (4PCS)



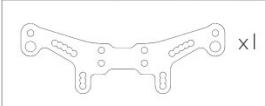
x4

NBA332 Strong Ball End 4.8mm (4PCS)



x4

NBA333 Rear Shock Tower (For Sedan Body)



x1



x2

NBA334 Strong Ball End 4.8mm (Long 4PCS)



x4

NBA335 Shock spring (1.2X22mm) Green-Soft



x4

NBA336 Bumper For Touring Car Body



x1

NBA337 Bumper Plate & Body Post Spacer



x4



x1

NBA338 Pivot Block (ALUMINUM) 2.0°

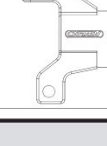


x1

NBA339 ALUMINUM REAR HUB



x1



x1



M **M210** **M-CHASSIS**
M210R 1/10 EP RC M-Chassis Kit
RC CAR



CARTEN RC Website

✉ service@carten-rc.com