

**BRUSHED EDITION**

**Carisma**<sup>®</sup>  
DIGITAL PROPORTIONAL RADIO CONTROL MODELS



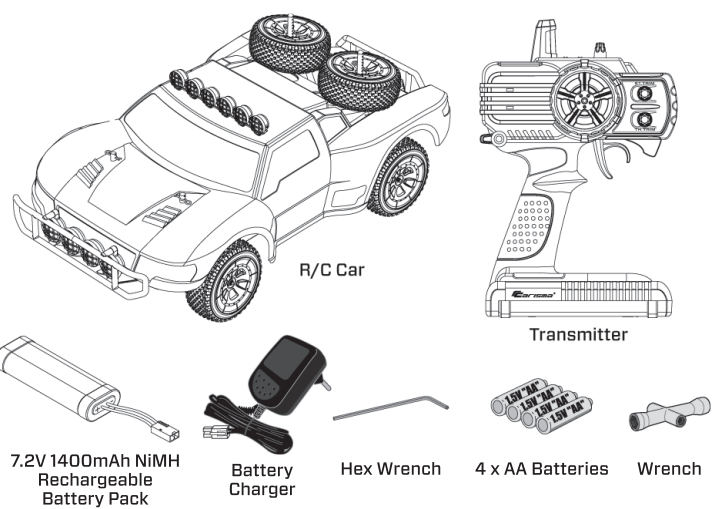
**DIMENSION**

- SCALE : 1/10
- HEIGHT : 178mm
- TYRE : Ø91mm x 36mm(width)
- LENGTH : 472mm
- WIDTH : 256mm
- WHEELBASE : 258mm

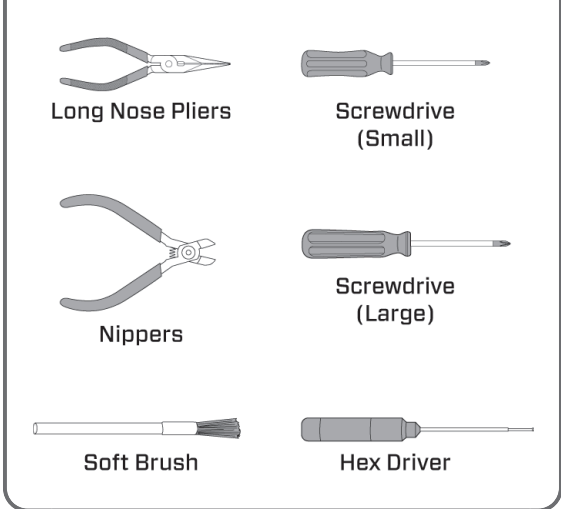
**M400T** SCALE 1:10 OFF ROAD EP **INSTRUCTION MANUAL**



**WHAT'S IN THE BOX**



**TOOLS RECOMMENDED(NOT INCLUDED)**



## SAFETY PRECAUTIONS

### SAFETY PRECAUTIONS

**THIS MODEL IS ONLY SUITABLE FOR PEOPLE 14 YEARS OLD AND UP.**

**THIS RADIO CONTROL MODEL IS NOT A TOY.**

Beginner should seek advice from experienced person in order to assemble the model or parts correctly and to make best performance.

\* Assemble this model or parts only in place out of children's reach, and take safe precautions before operating this model. User is fully responsible for the model assembly and safe operations.

## Introduction

This is a sophisticated hobby product and not a toy. It must be operated with caution and common sense. User also requires some basic mechanical abilities. Fail to operate this product in a safe and responsible manner could result in injury or do damage to the product or other properties. This product is not intended for use by children without direct adult supervision. The product manual contains instructions for safe operation and maintenance. It is essential to read and follow all the instructions and warnings in the manual prior to assembly, setup or use, in order to operate correctly and avoid damage or injury.

## Safety, Precautions, and Warnings

As the user of this product, you are solely responsible for operating it in a manner that does not endanger yourself and others or result in damage to the product or the property of others.

This model is controlled by a radio signal that is subject to interference from many sources outside your control. This interference can cause momentary loss of control so it is necessary to always keep a safe distance in all directions around your model, as this will help to avoid collisions or injury.

- Always operate your model in an open area away from cars, traffic, or people.
- Avoid operating your model on the street where injury or damage can occur.
- Never operate the model out into the street or populated areas for any reason.
- Never operate your model with low transmitter batteries.
- Carefully follow the directions and warnings for this product and any optional support equipments (chargers, rechargeable battery packs, etc.) that you use.
- Keep all chemicals, small parts and anything electrical out of the reach of children.
- Moisture causes damage to electronics. Avoid water exposure to all equipments not specifically designed and protected for this purpose.

## CE Compliance Information For The European Union

The associated regulatory agencies of the following countries recognize the noted certifications for this product as authorized for sale and use.

UK	DE	DK	BG	SE	CZ	ES	NL	SK	HU	RO	FR	PT
FI	EE	LV	LT	PL	AT	CY	SI	GR	MT	IT	IE	LU

### Declaration of Conformity

**Products: Carisma CTX-2710 2.4GHz Transmitter, MRX2800 Receiver**

Equipment Class: 2

The objects of declaration described above are in conformity with the requirements of the specifications listed below.

**Item Name : Carisma CTX-2710 2.4GHz Transmitter and MRX2800 Receiver**

**ETSI EN 300 328 V1.7.1:2006**

**ETSI EN 301 489-1 V1.8.1:2008**

**EN 301 489-17 V2.1.1:2009**

**EN 50371:2002**

**Directive 1999/5/EC (R&TTE)**

**Article 3.1a Health**

**Article 3.1b EMC**

**Article 3.2 Radio Spectrum**

### FCC ID YDTMTM27HP

Statement - This device complies with Part 15 of the FCC Rules.

Operation is subject to the following two conditions:

- (1) this device may not cause harmful interference, and
- (2) this device must accept any interference received, including interference that may cause undesired operation.

Changes or modifications not expressly approved by the party responsible for compliance could void the user's authority to operate the equipment.

### RF Exposure Warning:

This equipment complies with FCC radiation exposure limits set forth for an uncontrolled environment.

And should be operated with minimum distance of 20 cm between the antenna & your body.



**Manufactured By : Mun Ah Plastic Electronic Toys Company.,Ltd**

## ABOUT THE RADIO SYSTEM

### Carisma CTX-2710 2.4GHz FHSS Technology System

The following is an overview of the various functions and adjustments found on CTX-2710 radio system for Carisma models. It is important to read and understand about all of these functions and adjustments before driving.

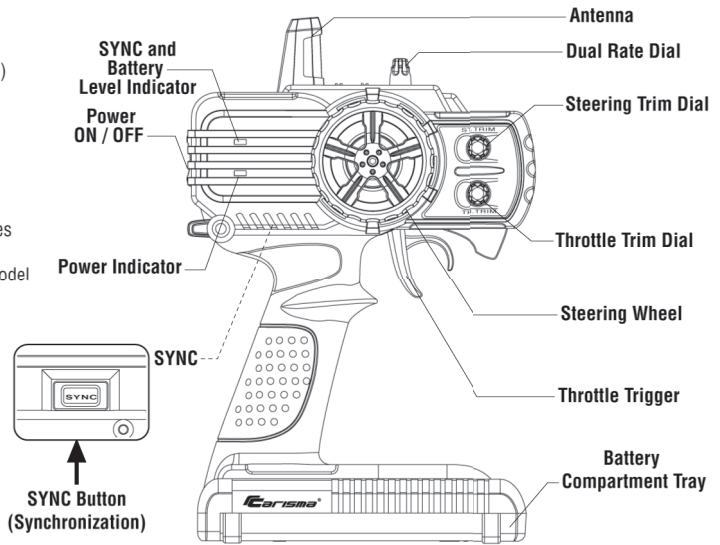
#### Function

##### The Transmitter CTX-2710

- Steering Wheel :** Control direction (Left / Right) of the RC model.
- Throttle Trigger :** Control speed and direction (Forward/Brake/Backward) of the driving model.
- Antenna :** Transmit signal to the model.
- Power ON / OFF :** Power ON / OFF the transmitter
- SYNC & Battery Indicator :** Top Green LED light indicates synchronization status and/or adequate battery power supply.
- Power Indicator :** Bottom Red LED light indicates power "ON".
- Dual Rate Dial :** Adjust the same maximum steering angle on both sides when model turns Left / Right
- ST. Trim Dial :** Adjust the neutral position of steering servo when model wheels are straight ahead.
- TH. Trim Dial :** Make sure the model stays still when releasing the throttle trigger.

**Battery Compartment Tray :** Cover and hold the batteries powering the transmitter.

\* In general, user will experience under steer when making a wide turn at high speed or over steer when making sharp turn at high speed (easy to spin out). User should practice the throttle and steering approach for different cornering at different speed or road surface.



CTX-2710

#### Battery Installation

Supplied with 4 x 1.5V AA Batteries, CTX-2710 can be operated a few hours. Installation: Remove the battery compartment cover as shown below.

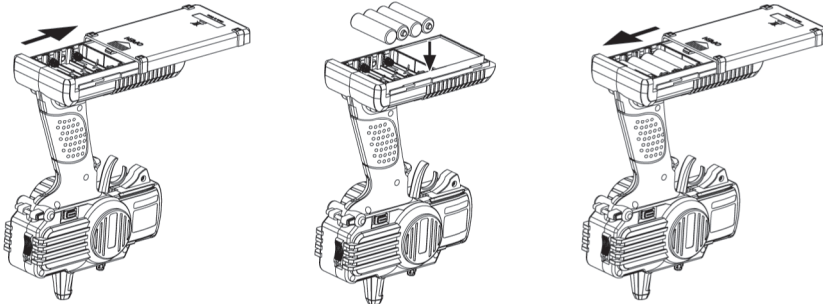
Install the batteries observing the polarity marked on battery compartment.

Then reinstall the battery compartment cover as the Picture shown below.

**Warning :** Never disassemble batteries or put the batteries in fire, chemical agents, otherwise they may cause personal injuries or property damages.

**Battery Disposal :** Observe corresponding regulations about wasted battery treatment regulations.

1. After running out of power, dispose of wasted batteries in designated areas far away from water supply, household areas and planted areas.
2. Submit the wasted batteries to specific recycling stations.

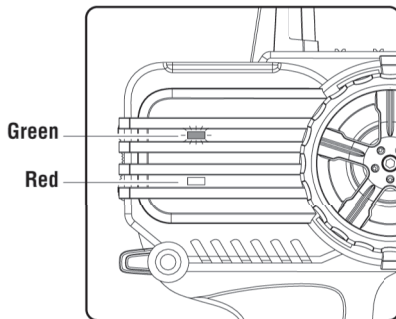


#### Battery LED Indicator

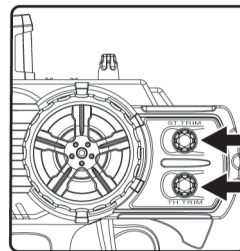
The Green LED indicator located on the front left side of the transmitter indicates the power supply of batteries. The green LED will go solid on indicating that the batteries have sufficient power. When batteries voltage drops below 4 volts, the Green LED will flash, indicating the batteries power is low and should be replaced.

**Solid Green :**  
Sufficient Power supply

**Flashing :**  
Time to replace batteries



#### Pre-Run Check

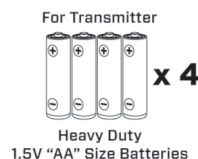


1. **Steering :** Adjust the steering trim to keep the front wheels in straight line when steering wheel remains in NEUTRAL position.
2. **Throttle :** Adjust the throttle trim to ensure the rear wheels stop rotating when throttle trigger remains in NEUTRAL position.

\* Always turn on the transmitter first by sliding the switch on the left side from bottom to top. The small red and green lights above the switch should both light up. If not, you need to check for low or incorrectly installed batteries.

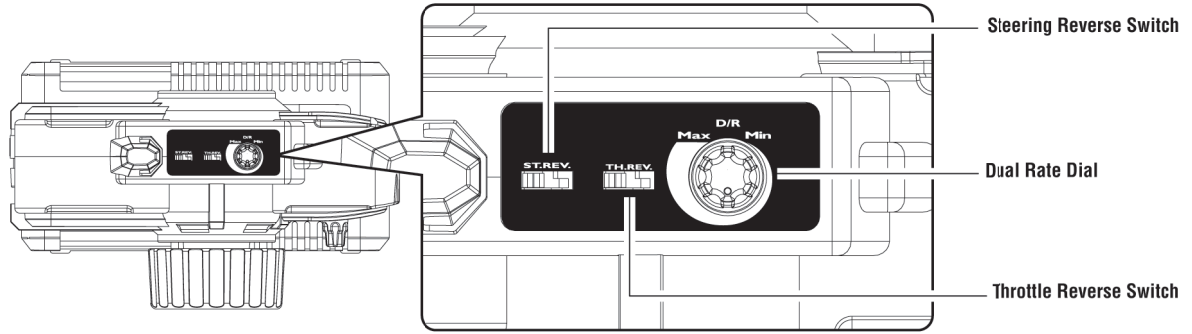
#### Instructions for Disposal of WEEE by Users in the European Union

This product must never be thrown away with other waste. Thus the users are liable for disposing the wasted model by submitting them to designated collection stations specific for recycling electronic and electric items. Disposing of the wasted model in this way is helpful to conserve natural resources and enable to keep human health and protect the environment. For more information about wasted model disposal and recycling, please contact your local city office, your disposal service or where you purchased the product.



## ABOUT THE RADIO SYSTEM

### Top Control Panel



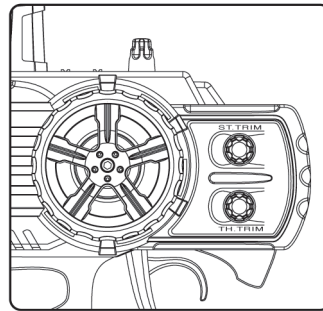
### Dual Rate Dial

Dual Rate Dial enables to adjust the same maximum steering angle of servo on both sides (Left and Right) when model makes steering. The Dual Rate Dial affects the sensitivity of servo. Reducing dual rate value can lower the sensitivity of servo and reduce the same maximum steering angle on both sides. Remember to adjust the dual rate value within the adjustment range.

### Reversing

Reversing is used to change the response direction of steering wheel and throttle trigger. CTX-2710 Transmitter features 2 reversing functions: Steering Reverse and Throttle Reverse.  
**Steering Reverse:** Reverse the response direction when operating steering wheel. Turning left steering wheel, the model turns right while turning right the model turns left.  
**Throttle Reverse:** Reverse the response direction when operating throttle trigger. Pushing forward throttle trigger the model moves backward while pulling back, the model moves forward. If necessary you can just use a small screwdriver to adjust the corresponding switches.

### Trimming



CTX-2710 features two trimming functions: Steering Trim and Throttle Trim.

#### Steering Trim Dial :

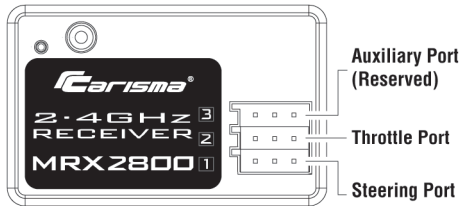
Adjust the neutral position of steering servo when the wheels are straight ahead. Normally steering trim is adjusted until the model can keep straight tracks.

#### Throttle Trim Dial :

Adjust neutral position of throttle servo. Make sure the model stays still when releasing the throttle trigger.

## RECEIVER CONNECTION AND INSTALLATION

### Carisma 2.4GHz Receiver MRX2800



#### Auxiliary Port (Reserved)

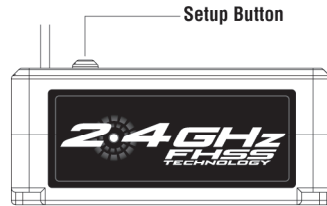
**Steering Port :** Where to plug in the servo.

**Throttle Port :** Where to plug in the Electronic Speed Controller (ESC).

**Setup button :** Synchronize transmitter and receiver. Select frame rate.

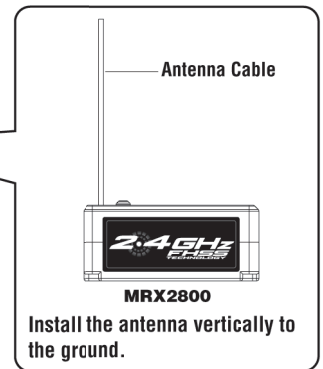
#### Tips :

- Wrap the receiver with something soft, such as foam rubber, to avoid vibration. If there is a chance of getting wet, put the receiver in a waterproof bag or balloon.



#### Warning :

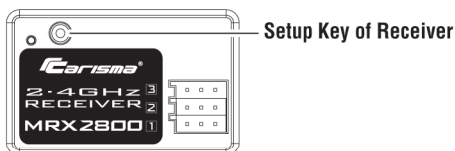
- Never bend the metal pins on the PCB of receiver.
- Never cut the antenna cable.
- Install the antenna vertically as shown in the figure.
- Keep the antenna as far away from the motor, ESC and other noise sources as you possibly can.



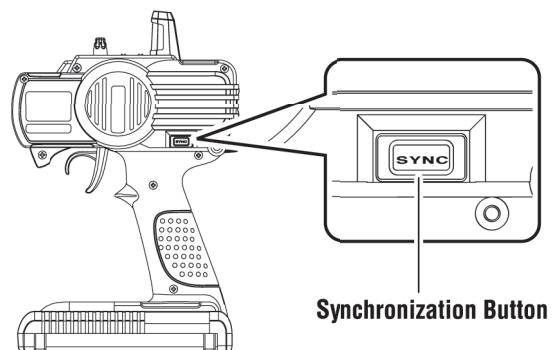
#### Remarks :

The mounting positions of receiver and antenna cable greatly affect the operating range.

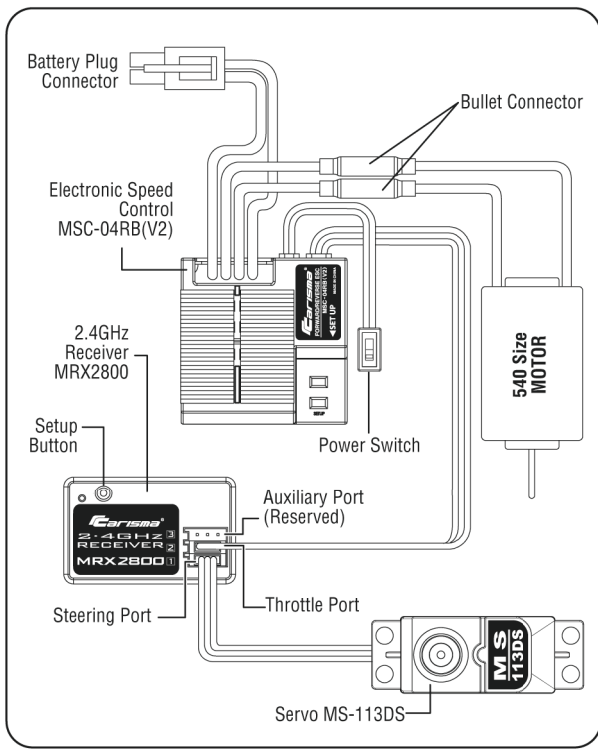
### Synchronization & Frame Rate Adjust



1. Prior to any operation make sure the transmitter and receiver are both turned off.
2. Press and hold the setup button on the receiver while power on the receiver.
3. Release the setup button till green LED flashes.
4. Press the setup button to select the frame rate with green LED flashing.  
 Faster Flashing = High frame rate (7ms) for digital servo  
 Slower Flashing = Low frame rate (15ms) for analogue servo
5. Power on the transmitter. With the transmitter steering wheel and throttle trigger in neutral position (full stop and straight steering), press the SYNC button of the transmitter.
6. When synchronization is done, the green LED on both receiver and transmitter will turn solid on.



## ESC MSC-04RB(V2) FEATURES



### ESC Features:

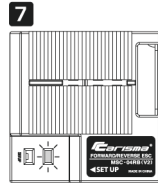
1. Set TX Throttle Trimmer to neutral position.
2. Connect the battery to ESC (Make sure ESC OFF)
3. Switch on TX
4. Switch on ESC



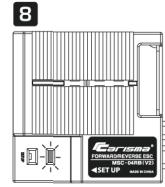
5. Press setup button enter programme mode (RED & GREEN LED ON)



6. Pull Throttle trigger to max forward position and press button to set forward position (GREEN LED ON)



7. Push Throttle trigger to max reverse position and press button to set reverse position (RED LED ON)



8. Release Throttle trigger to Neutral/ Stop and press button to finish (GREEN LED ON)

\* Each step must be carried out swiftly. Otherwise the program will need to Re-set again. The GREEN LED will be switched on while the trigger is at Neutral and the car will not move.

THIS ESC IS DESIGNED FOR THE INCLUDED MOTOR. DOT NOT INSTALL ANY OTHER MOTOR CAR IS MOVING WITHOUT PULLING THE TRIGGER. THROTTLE TRIM IS OUT OF POSITION. TRIM THE THROTTLE TRIM.

## BATTERY PACK & CHARGER MANUAL

### Warning

To reduce the risk of fire, electric shock or injury, carefully follow these instructions.

This manual contains important safety and operating instructions for your charger. Before using the battery charger, read all the following in this instructions manual on the battery chargers and the rechargeable batteries to be charged, and on the products that use the rechargeable batteries.

Plug supplied charger into mains outlet socket. Connect the 7.2V rechargeable battery pack to the charger. The charger's connector fits only one way. Don't force it! If the connectors do not fit together easily, be sure that you have positioned them properly. Average recharging time is approximately 2 to 3 hours maximum. When recharging is over, remove the charger from the household outlet. After recharging is completed, disconnect the battery pack from the battery charger.

The 7.2V battery pack is not supplied pre-charged and you must charge it before connecting the R/C car. The 7.2V battery pack and charger will get hot while charging. This is normal. Do not charge on, or near to, a material / surface that is flammable or can be damaged by heat. When the 7.2V battery pack out of power ( dead battery ), it should be replaced. Do not dispose in the household garbage but to the collection stations or at a special garbage depot.

### Operation

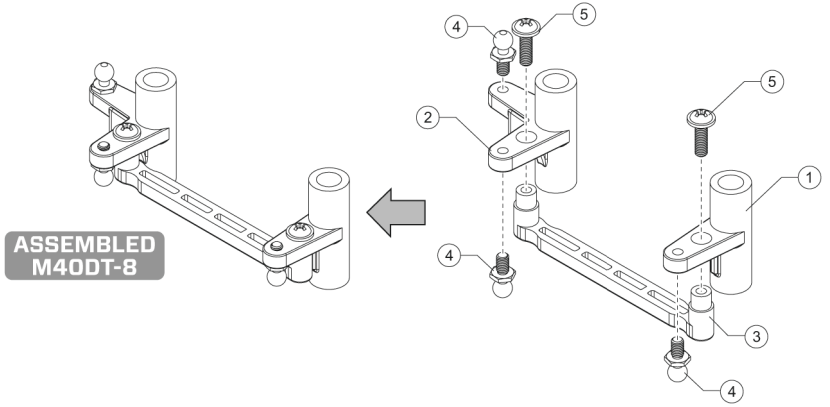
- Completely discharge a Nickel - Metal Hydride (NiMH) battery pack before you charge it. Frequent charging a Nickel - Metal Hydride battery pack that is not fully discharged can shorten its battery life.
- The battery pack cannot be fully charged when it in low temperate environment.
- To charge a very hot after use battery pack can permanently lose its ability to charge.
- Unplug the charger from the mains outlet before attempting any maintenance or cleaning.

### Caution

- The battery charger is not a toy.
- Charger only Ni-MH type rechargeable batteries. Other types of batteries may explode and cause serious personally injury or damages.
- Never let the charger or battery pack get wet or damp.
- Overcharging can damage the battery pack. Follow the indicated recharging time.
- Check the batteries regularly for leakage.
- Non-rechargeable batteries are not to be recharged.
- Do not disassemble the charger. Take it to a qualified service technician when service or repair is required. Improper reassembly may result in a risk of fire, electric shock, or injury to persons.
- Do not recharge the battery pack while it is still hot after use. Wait until it has cooled down before recharge.
- Use only the recommended batteries or batteries of equal quality.
- Do not short circuit - all cables should be insulated. If necessary, use vinyl tape for insulation (not included).
- Do not leave battery pack charger unattended when charging.
- The supply terminals are not to be short-circuited.
- Packing has to be kept since it contains important information.
- Do not expose the charger to rain or excessive moisture.
- Do not operate the charger if it has received a sharp blow, or been dropped or damaged in any way. Take it to qualified service technician to repair.
- To reduce the risk of damage to the AC plug and cord, disconnect the charger by pulling plug rather than the cord.
- Do not use an extension cord. It could result in fire or electric shock.
- Do not operate the charge if the cord or plug is damaged. Repair the charger. Never alter the provided AC cord or plug. If does not fit in the AC outlet, have a qualified service technician install the appropriate connector plug. Improper connection can result in an electrical shock. Never use the charger as a DC power source for any other electrical equipments.
- Rechargeable battery pack can explode if under incorrectly or non stop charging.
- Always observe the polarity to correctly connect :  
Positive (+) to Positive (+) Negative (-) to Negative (-).

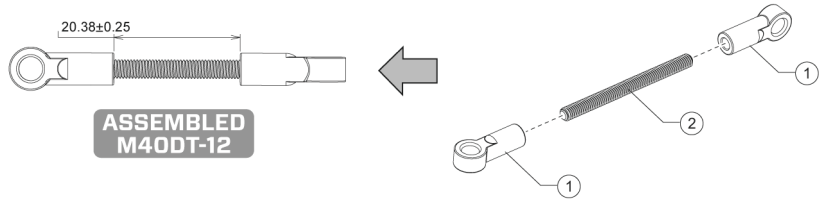
## STEERING POST ASSEMBLY

PART NUMBER	DESCRIPTION	QTY	
1	M40P0801-01	LEFT STEERING ARM	1
2	M40P0802-01	RIGHT STEERING ARM	1
3	M40P0805	CENTER DRAG LINK	1
4	MASM013A	4.8 BALL STUD	3
5	SSW-G00196	3x10PWB D7	2



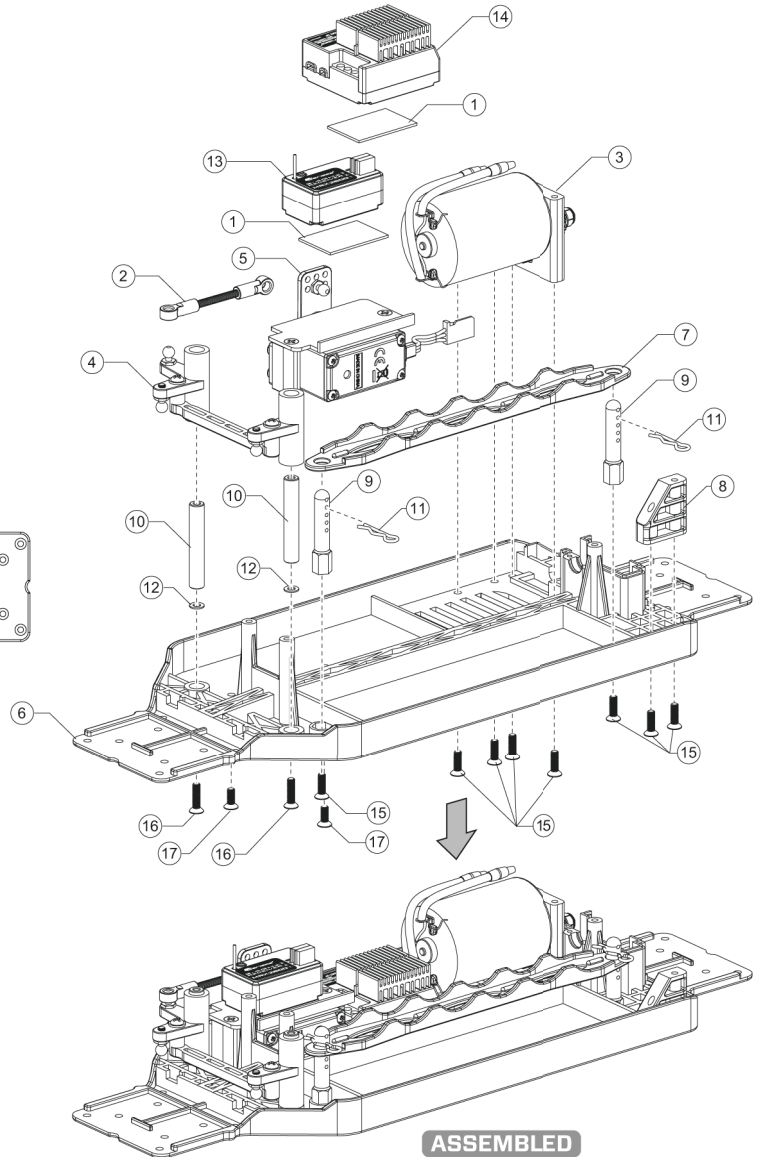
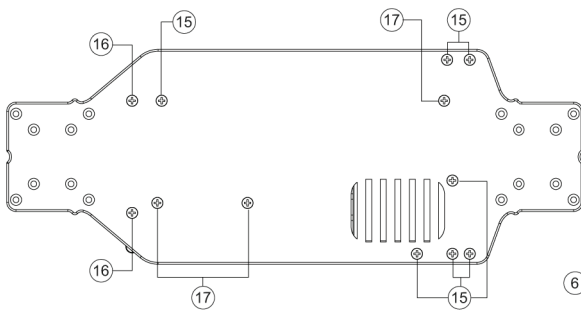
## SERVO STEERING TURNBUCKLE ASSEMBLY

PART NUMBER	DESCRIPTION	QTY	
1	M40P1301	LONG BALL CAP	2
2	MASM061A	SCREW ROD 3x36	1

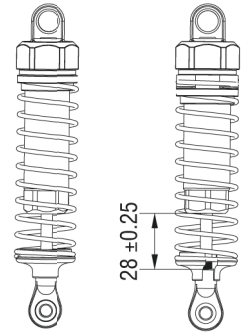
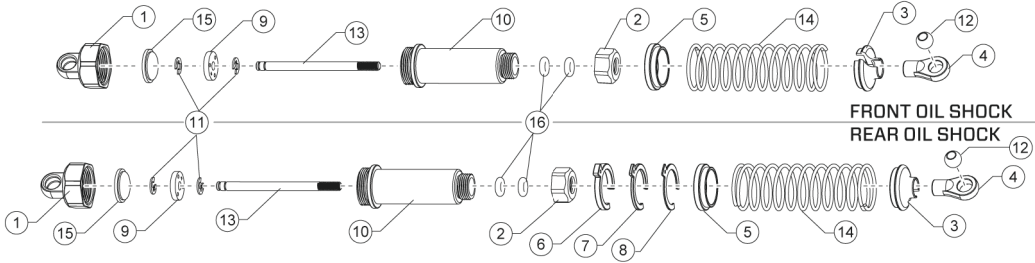


## MAIN CHASSIS ASSEMBLY

PART NUMBER	DESCRIPTION	QTY	
1	DCL-G00233	DOUBLE SIDED EVA STICKER	2
2	M40DT-12	SERVO STEERING TURNBUCKLE ASSEMBLY	1
3	M40DT-13	MOTOR ASSEMBLY	1
4	M40DT-8	STEERING POST ASSEMBLY	1
5	M40DT-9	SERVO ASSEMBLY	1
6	M40P0101-01	MAIN CHASSIS	1
7	M40P0503	BATTERY BRACE	1
8	M40P0806	CHASSIS BRACE	1
9	M40P1003	BATTERY POSTS	2
10	MASM012A	STEERING	2
11	MASM032A	BODY CLIP	2
12	MASM212A	WASHER	2
13	MRX2800	2.4GHZ RECEIVER	1
14	MSC04RB(V2)	ESC	1
15	SSW-G00188	3x10KB D5.8	8
16	SSW-G00209	3x12KM D5.8	2
17	SSW-G00281	3x8KB 5.8	2

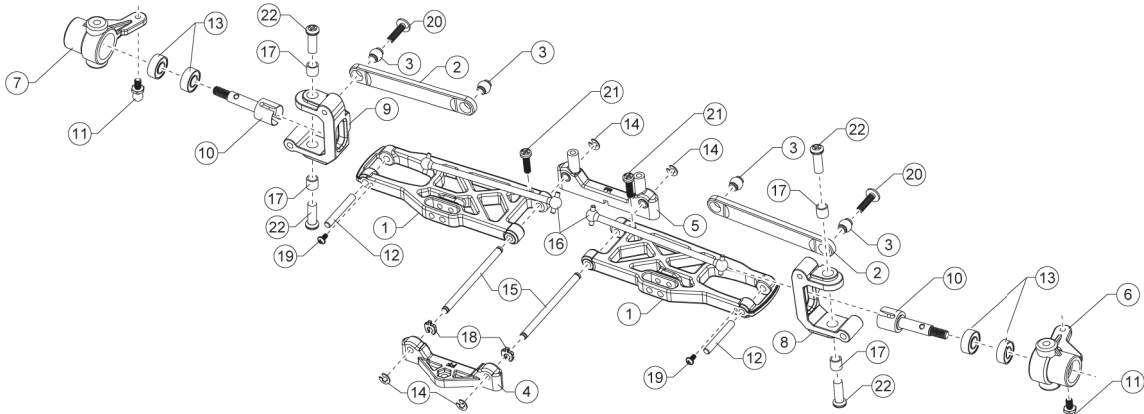


## FRONT AND REAR OIL SHOCK ASSEMBLY

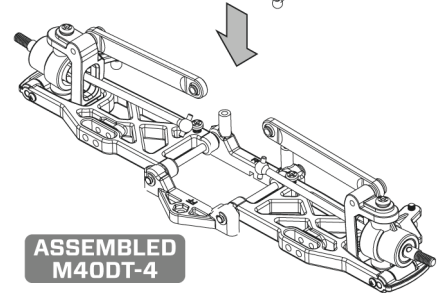


PART NUMBER	DESCRIPTION	QTY	PART NUMBER	DESCRIPTION	QTY		
1	GT14BP1001	SHOCK TOP CAP	2	9	GT14BPPROP0101	OIL SHOCK PISTON 1.3mm	2
2	GT14BP1002-01	SHOCK BOTTOM CAP	2	10	M40BP0301-01	OIL SHOCK BODY	2
3	GT14BP1103-01	SPRING RETAINER LOWER	2	11	MASM053A	E-RING ID2.3 BLACK OXIDE	4
4	GT14BP1104	SHOCK BALL CAP	2	12	MASM204A	5.8 BALL THROUGH(5.79x4.6L)	2
5	GT14BP1105-01	SPRING RETAINER UPPER	2	13	MASM2148A	OIL SHOCK SHAFT	2
6	GT14BP1108	SHOCK ADJUSTMENT CLIP 2mm	1	14	MASM2374A	OIL SHOCK SPRING	2
7	GT14BP1109	SHOCK ADJUSTMENT CLIP 1mm	1	15	RBP-G00010	SHOCK DIAPHRAGM	2
8	GT14BP1110	SHOCK ASDJUSTMENT CLIP 0.5mm	1	16	RBP-G00014	O-RING	4

## FRONT SUSPENSION ARMS ASSEMBLY

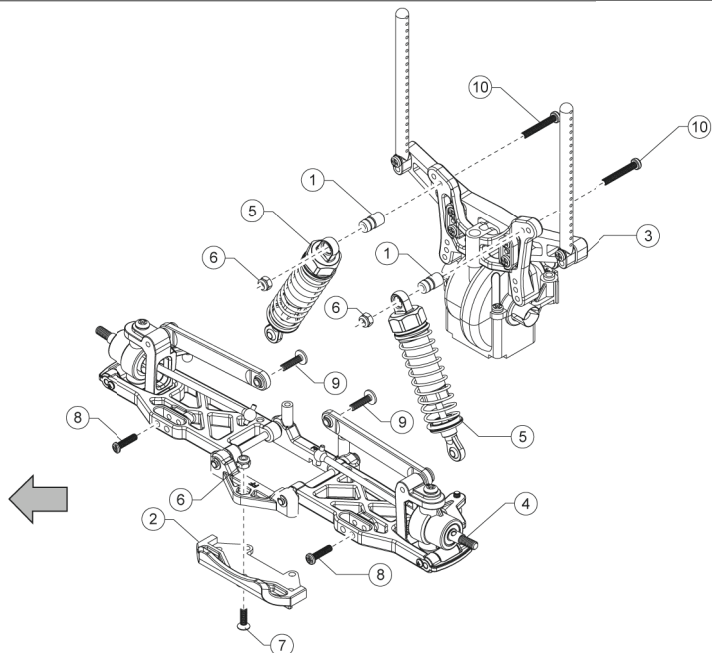
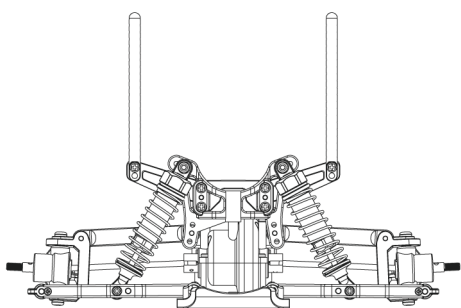


PART NUMBER	DESCRIPTION	QTY	PART NUMBER	DESCRIPTION	QTY		
1	M40BP0103	FRONT SUSPENSION ARMS	2	12	MASM015A	PIN D1/8x22.9	2
2	M40BP0201	FRONT LINKAGE	2	13	MASM034A	BEARING 5x11x4	4
3	M40BP0204	BALL STUD	4	14	MASM053A	E-RING ID2.3 BLACK OXIDE	4
4	M40P0305-03	FF HINGE PIN BRACE	1	15	MASM1724A	PIN D3.175x48.3mm	2
5	M40P0306-03	FR HINGE PIN BRACE	1	16	MASM2145A	DOG BONE	2
6	M40P0401-01	LEFT FRONT SPINDLE	1	17	MASM668A	BUSH RING 4.1x5.3x5.5	4
7	M40P0402-01	RIGHT FRONT SPINDLE	1	18	R14P1111	SPACER 1.5	2
8	M40P0403-01	LEFT HUB CARRIER	1	19	SSW-G00129	2x4PWM D4	2
9	M40P0404-01	RIGHT HUB CARRIER	1	20	SSW-G00210	3x12PWB	2
10	MASMO04A	OUTDRIVE	2	21	SSW-G00233	3x11PM	2
11	MASMO13A	4.8 BALL STUD	2	22	SSW-G00652	4x11PM D6.5	4

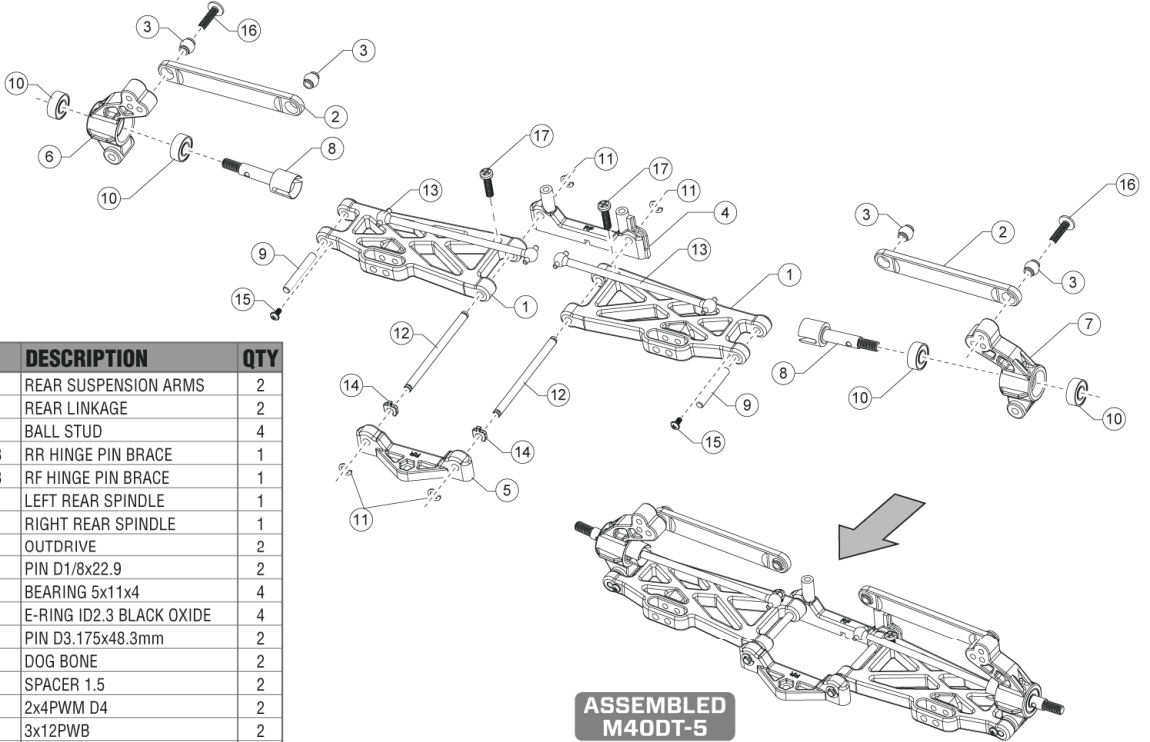


## FRONT GEAR BOX AND OIL SHOCK ASSEMBLY

PART NUMBER	DESCRIPTION	QTY	
1	M40BP0102	OIL SHOCK MOUNT	2
2	M40BP0203	FRONT/REAR BUMPER	1
3	M40DT-2	FRONT GEAR BOX ASSEMBLY	1
4	M40DT-4	FRONT SUSPENSION ARMS ASSEMBLY	1
5	M40DT-7	FRONT OIL SHOCK ASSEMBLY	2
6	MASM1168A	M3 SCREW NUT	3
7	SSW-G00190	3x10KM D5.8	1
8	SSW-G00201	3x12BM	2
9	SSW-G00210	3x12PWB	2
10	SSW-G00234	3x20BM D5.2	2



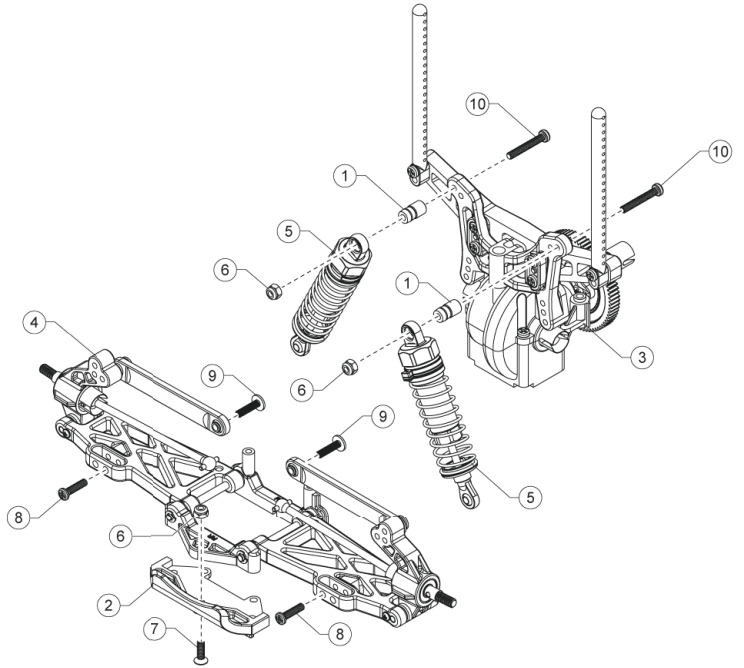
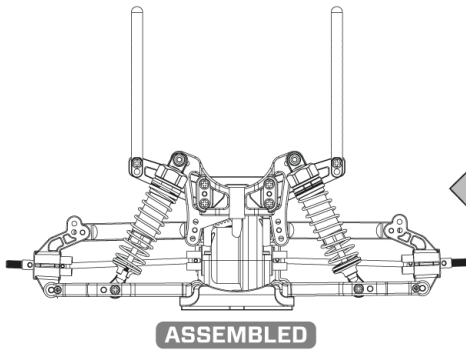
## REAR SUSPENSION ARMS ASSEMBLY



PART NUMBER	DESCRIPTION	QTY	
1	M40BP0104	REAR SUSPENSION ARMS	2
2	M40BP0201	REAR LINKAGE	2
3	M40BP0204	BALL STUD	4
4	M40P0307-03	RR HINGE PIN BRACE	1
5	M40P0308-03	RF HINGE PIN BRACE	1
6	M40P0405-01	LEFT REAR SPINDLE	1
7	M40P0406-01	RIGHT REAR SPINDLE	1
8	MASM004A	OUTDRIVE	2
9	MASM015A	PIN D1/8x22.9	2
10	MASM034A	BEARING 5x11x4	4
11	MASM053A	E-RING ID2.3 BLACK OXIDE	4
12	MASM1724A	PIN D3.175x48.3mm	2
13	MASM2145A	DOG BONE	2
14	R14P1111	SPACER 1.5	2
15	SSW-G00129	2x4PWM D4	2
16	SSW-G00210	3x12PWB	2
17	SSW-G00233	3x11PM	2

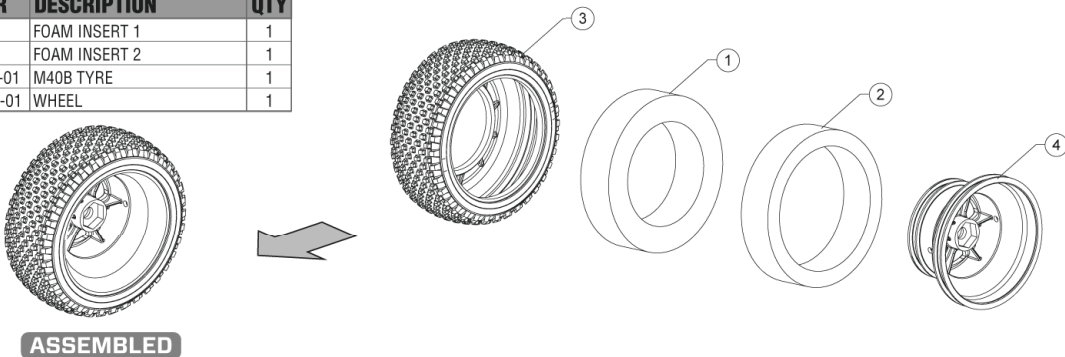
## REAR GEAR BOX & OIL SHOCK ASSEMBLY

PART NUMBER	DESCRIPTION	QTY	
1	M40BP0102	OIL SHOCK MOUNT	2
2	M40BP0203	FRONT/REAR BUMPER	1
3	M40DT-3	REAR GEAR BOX ASSEMBLY	1
4	M40DT-5	REAR SUSPENSION ARMS ASSEMBLY	1
5	M40DT-6	REAR OIL SHOCK ASSEMBLY	2
6	MASM1168A	M3 SCREW NUT	3
7	SSW-G00190	3x10KM D5.8	1
8	SSW-G00201	3x12BM	2
9	SSW-G00210	3x12PWB	2
10	SSW-G00234	3x20BM D5.2	2



## WHEEL ASSEMBLY

PART NUMBER	DESCRIPTION	QTY	
1	EVA-G00159	FOAM INSERT 1	1
2	EVA-G00160	FOAM INSERT 2	1
3	M40BP0401-01	M40B TYRE	1
4	MASCP0101-01	WHEEL	1





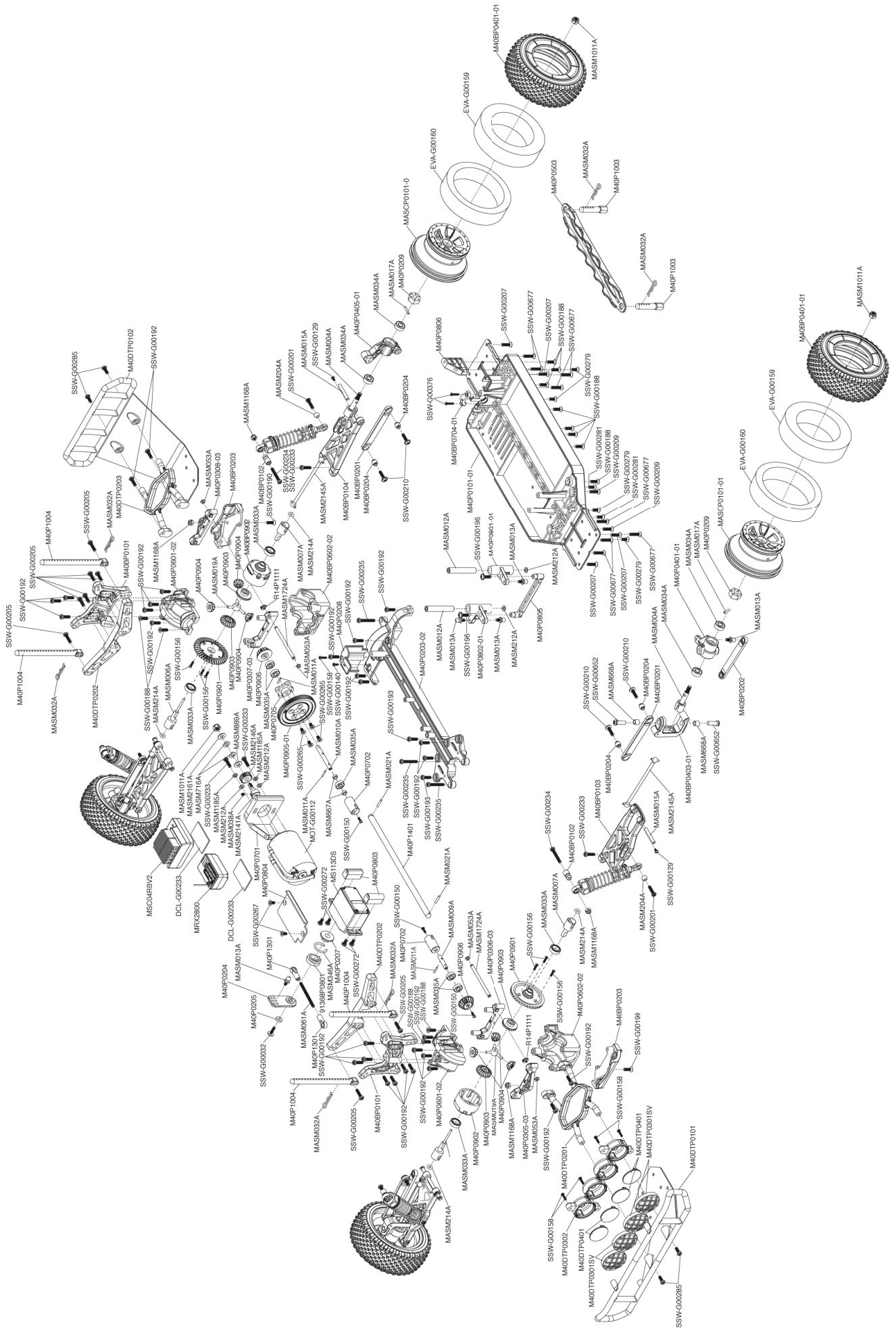
# SPARE PARTS LIST

ITEM NO	BARCODE	PRODUCT NAME	PART NO	DESCRIPTION	QTY
14098	4892793140980	M40S MAIN CHASSIS	M40P0101-01	MAIN CHASSIS	1
14099	4892793140997	M40S SERVO SAVER SET	M40P0204	SERVO SAVER HORN	1
			M40P0205	SERVO SAVER HORN BUSH	1
			M40P0207	SAVER	1
			91368P0801	5mm SERVO SAVER	1
			SSW-G00032	2.6x10 PWB	1
14103	4892793141031	M40S STEERING HUB SET	M40P0401-01	LEFT FRONT SPINDLE	1
			M40P0402-01	RIGHT FRONT SPINDLE	1
			M40P0403-01	LEFT HUB CARRIER	1
			M40P0404-01	RIGHT HUB CARRIER	1
14104	4892793141048	M40S REAR UPRIGHT SET	M40P0405-01	LEFT REAR SPINDLE	1
			M40P0406-01	RIGHT REAR SPINDLE	1
14105	4892793141055	M40S DIFFERENTIAL HOUSING SET	M40P0601-02	DIFFERENTIAL BOX COVER	1
			M40P0602-02	DIFFERENTIAL BOX	1
14106	4892793141062	M40S UPPER DECK + CHASSIS BRACE + MOTOR MOUNT	M40P0203-02	UPPER DECK	1
			M40P0806	CHASSIS BRACE	1
			M40P0701	MOTOR MOUNT	1
14107	4892793141079	M40S MAIN SHAFT PARTS SET	M40P0702	INPUT DRIVE CUP	2
			M40P0705	GEAR ADAPTOR	1
			M40P0704-01	BEARING HOLDER	1
			MASM009A	FRONT INPUT SHAFT	1
			MASM010A	REAR INPUT SHAFT	1
			MASM011A	PROPELLER SHAFT PIN	3
			SSW-G00134	SCREW 2x4PM	2
14111	4892793141116	M40S BATTERY BRACE SET	M40P0503	BATTERY BRACE	1
			M40P1003	BATTERY POST	2
14112	4892793141123	M40S SUSPENSION PIN SET	MASM1724A	PIN D3.175 x 48.3mm	2
14113	4892793141130	M40S DIFFERENTIAL GEAR SET	M40P0901	BEVEL GEAR 39T	1
			M40P0902	DIFFERENTIAL HOUSING COVER	1
			M40P0903	BEVEL GEAR 22T	2
			M40P0904	BEVEL GEAR 12T	3
			M40P0906	BEVEL GEAR 15T	1
			MASM019A	GEAR DIFF. ADAPTOR	1
			SSW-G00134	SCREW 2x4PM	1
			SSW-G00161	SCREW 2x8KM	3
14114	4892793141147	M40S STEERING POST SET	M40P0801-01	LEFT STEERING ARM	1
			M40P0802-01	RIGHT STEERING ARM	1
			M40P0805	STEERING LINKAGE	1
			SSW-G00196	SERVO SCREW ROD 3x10PB	2
14132	4892793141321	M40S OUTDRIVE	MASM004A	OUTDRIVE	4
14136	4892793141369	M40S PINION GEAR 20T + M3 SCREW SET	MASM059A	PINION GEAR 20T	1
			MASM038A	M3x3 SCREW	1
14139	4892793141390	M40S SPUR GEAR 72T	M40P0905-01	SPUR GEAR 72T	1
14140	4892793141406	M40S MAIN SHAFT	MAT-SPT-AS-14140	M40S MAIN SHAFT	1
14834	4892793148344	BODY POST SET	M40P1004	BODY POST	4
14985	4892793149853	M40B WHEELS AND TYRE SET (PAIR)	MAT-010-TA-00002	M40B WHEELS AND TYRE SET	2
14986	4892793149860	M40B WHEEL HEX	M40P0209	WHEEL HEX	4
			MASM017A	PIN D2x10	4
14987	4892793149877	M40B PLASTIC OIL SHOCK SET	MAT-010-SA-00004	FRONT OIL SHOCK	2
			MAT-010-SA-00005	REAR OIL SHOCK	2
14989	4892793149891	M40B / M40DT GEAR BOX DUST COVER	M40P0208	GEAR BOX DUST COVER	1
14990	4892793149907	M40B SHOCK TOWER SET	M40BP0101	SHOCK TOWER	2
			M40BP0102	SHOCK TOWER MOUNT	4
14991	4892793149914	M40B / M40DT SUSPENSION ARMS (FRONT & REAR) SET	M40BP0103	FRONT SUSPENSION ARMS	2
			M40BP0104	REAR SUSPENSION ARMS	2
14992	4892793149921	M40B DOG BONE(PAIR)	MASM2145A	DOG BONE	2
14993	4892793149938	M40B SLIPPER PINION SET	MASM1011A	M4 LOCKNUT	1
			MASM2141A	SLIPPING SHAFT	1
			MASM2146A	PINION GEAR 20T	1
			MASM2161A	RING	1
			MASM716A	WAVE WASHER	2
			MASM889A	RING	1
			MASM038A	M3x3 SCREW	1
14994	4892793149945	M40B HINGE PIN BRACE	M40P0305-02	FF HINGE PIN BRACE	1
			M40P0306-02	FR HINGE PIN BRACE	1
			M40P0307-02	RR HINGE PIN BRACE	1
			M40P0308-02	RF HINGE PIN BRACE	1

# SPARE PARTS LIST

ITEM NO	BARCODE	PRODUCT NAME	PART NO	DESCRIPTION	QTY
14988	4892793149883	M40B / M40DT PLASTIC LINKAGE SET	M40BP0201	FRONT LINKAGE	4
			M40BP0202	STEERING LINKAGE	2
			M40P1301	LONG BALL CAP	2
			MASM061A	SCREW ROD 3x36	1
15011	4892793150118	M40B / M40DT BEARING SET	MASM033A	BEARING 8x12x3.5mm	4
			MASM035A	BEARING 4x10x3mm	5
			MASM034A	BEARING 5x11x4mm	8
15001	489279315019	M40B WASHER SET	MASM667A	BUSH RING 4.1x5.3x2	2
			MASM346A	RING	1
			MASM1185A	SPRING WASHER	2
			MASM212A	RING	4
			MASM2161A	RING	1
			MASM716A	WAVE WASHER	2
			MASM889A	RING	1
			MASM668A	BUSH RING 4.1x5.3x5.5	4
			R14P1111	SPACER 1.5	4
15002	4892793150026	M40B LOCKNUT SET	MASM1168A	M3 SCREW NUT	6
			MASM1011A	M4 SCREW NUT	4
15003	4892793150033	M40B BALL STUD SET	MASM013A	4.8 BALL STUD	6
			M40BP0204	BALL STUD	8
			MASM204A	5.8 BALL STUD	4
15010	4892793150101	M40DT BUMPER / BRACE SET	M40DTP0101	M40DT FRONT BUMPER	1
			M40DTP0102	M40DT REAR BUMPER	1
			M40DTP0201	M40DT FRONT BUMPER BRACE	1
			M40DTP0203	M40DT REAR BUMPER BRACE	1
15011	4892793150118	M40DT LIGHT CUPS SET	M40DTP0301SV	FRONT LIGHT COVER	4
			M40DTP0302	FRONT LIGHT CUP	1
			M40DTP0303SV	ROOF LIGHT COVER	6
			M40DTP0304	ROOF LIGHT CUP	1
			M40DTP0401	FRONT LIGHT CLEAR COVER	4
			M40DTP0402	ROOF LIGHT CLEAR COVER	6
			SSW-G00066	2.6x6PWB D7	4
SSW-G00158	2x8PB D3.5	5			
15012	4892793150125	M40DT CLEAR BODY	M40DTB0101	M40DT CLEAR BODY	1
			DCL-G00967	M40DT MASKING SHEET	1
			DCC-G00284	M40DT STICKER SHEET	1
			DCL-G00318	CARISMA LOGO SHEET	1
15013	4892793150132	M40DT BODY POST BRACKET SET	M40DTP0202	M40DT BODY POSTS BRACKET	2
15014	4892793150149	M40DT STICKER SHEET	DCC-G00284	M40DT STICKER SHEET	2
15112	4892793151122	M40DT BRUSHED VERSION PAINTED + DECORATED BODY	M40DTB0101BKSD	M40DT BRUSHED VERSION PAINTED BODY	1
			DCL-G01011	M40DT BRUSHED VERSION MASKING SHEET	1
			DCC-G00284	M40DT STICKER SHEET	1
			DCL-G00318	CARISMA LOGO SHEET	1
			MASM032A	BODY CLIPS	4
15019	4892793150194	M40DT HARDWARE SET	SSW-G00032	2.6x10PWB	1
			SSW-G00066	2.6x6PWB D7	4
			SSW-G00081	2.6x8PB D4.2	2
			SSW-G00106	2x10KM D3.5	2
			SSW-G00129	2x4PWM D4	2
			SSW-G00140	2x5PB D3.5	1
			SSW-G00156	2x8KB D3.4	6
			SSW-G00158	2x8PB D3.5	1
			SSW-G00188	3x10KB D5.8	12
			SSW-G00190	3x10KM D5.8	2
			SSW-G00192	3x10PB D5.2	29
			SSW-G00193	3x10PM D5.2	2
			SSW-G00196	3x10PWB D7	2
			SSW-G00201	3x12BM	2
			SSW-G00205	3x12PB D5.2	4
			SSW-G00207	3x12KB D5.8	4
			SSW-G00209	3x12KM D5.8	2
			SSW-G00210	3x12PWB	8
			SSW-G00233	3x11PM	2
			SSW-G00234	3x20BM D5.2	4
			SSW-G00256	3x6BB D5.2	4
			SSW-G00267	3x6KB D5.2	2
			SSW-G00272	3x6PB D5.2	4
			SSW-G00279	3x8KM D5.8	4
SSW-G00281	3x8KB 5.8	2			
SSW-G00300	4x9PM D6.5	4			
SSW-G00376	2x10KB	2			
SSW-G00677	3x14KB D5.8	8			

# EXPLODED DIAGRAM





**Visit Us on [www.carisma.com.hk](http://www.carisma.com.hk)**

@2013 Carisma. All Rights Reserved. Product specifications are subject to change. Some models shown are prototypes which may vary slightly from what is inside.

