

Super Combo

ALIGN

T-REX 700N DFC

INSTRUCTION MANUAL

使用說明書

RH70N01AT



Contents	
1	INTRODUCTION 前言
1~2	SAFETY NOTES 安全注意事項
3	EQUIPMENT REQUIRED FOR ASSEMBLY 自備設備
3	PACKAGE ILLUSTRATION 包裝說明
4	SAFETY CHECK BEFORE FLYING 飛行前安全檢查重要事項
5~20	ASSEMBLY SECTION 組裝說明
21	EQUIPMENT INSTALLATION 各項設備配置圖
22	SERVO AND LINKAGE ROD SETTING ILLUSTRATION 伺服器與連桿設定視圖
22	CANOPY ASSEMBLY 機頭罩安裝
23	ELECTRIC EQUIPMENT ILLUSTRATION 電子設備建議配置圖示
24	SERVO SETTING AND ADJUSTMENT 伺服器設定調整
24	ADJUSTMENTS FOR GYRO AND TAIL NEUTRAL SETTING 陀螺儀與尾翼中立點調整
25	PITCH AND THROTTLE SETTING 主旋翼螺距與油門設定
26~37	Gpro FLYBARLESS MANUAL 無平衡翼系統使用說明
38~38	GOVERNOR INSTRUCTION MANUAL 定速器安裝使用說明
38~40	2 IN 1 VOLTAGE REGULATOR INSTRUCTION MANUAL 2合1降壓器安裝使用說明
40~41	Gpro FLYBARLESS PREFLIGHT CHECK 飛行前測試程序
42~45	FLIGHT ADJUSTMENT AND SETTING 飛行動作調整與設定
46	TROUBLESHOOTING 飛行中狀況排除
47~48	Q & A 問與答



GPRO
FLYBARLESS SYSTEM



3Auds MEMS 12bit CPU+ Phg. 1000h IOS Android 5.BUS X.BUS Energy Stable GOV 2000mAh USB-C




Thank you for buying ALIGN products. The T-REX 700N DFC is the latest technology in Rotary RC models. Please read this manual carefully before assembling and flying the new T-REX 700N DFC helicopter. We recommend that you keep this manual for future reference regarding tuning and maintenance.

承蒙閣下選用亞拓遙控世界系列產品，謹表謝意。進入遙控世界之前必須告訴您許多相關的知識與注意事項，以確保您能夠在學習的過程中較得心應手。在開始操作之前，請務必詳閱本說明書，相信一定能夠給您帶來相當大的幫助，也請您妥善保管這本說明書，以作為日後參考。

Thank you for buying ALIGN Products. The T-REX 700N DFC Helicopter is designed as an easy to use, full featured Helicopter R/C model capable of all forms of rotary flight. Please read the manual carefully before assembling the model, and follow all precautions and recommendations located within the manual. Be sure to retain the manual for future reference, routine maintenance, and tuning. The T-REX 700N DFC is a new product developed by ALIGN. It features the best design available on the R/C helicopters market to date, providing flying stability for beginners, full aerobatic capability for advanced filers, and unsurpassed reliability for customer support.

感謝您選購亞拓產品，為了讓您容易方便的使用 T-REX 700N DFC 直昇機，請您詳細的閱讀完這本說明書之後再進行組裝以及操作這台直昇機，同時請您妥善的保存這本說明書，作為日後進行調整以及維修的參考。T-REX 700N DFC 是由亞拓自行研發的新產品，不論是需求飛行穩定性的初學者或是追求性能的飛行愛好者，T-REX 700N DFC 將是您最佳的選擇。

WARNING LABEL LEGEND 標誌代表涵義

 FORBIDDEN 禁止	Do not attempt under any circumstances. 在任何禁止的環境下，請勿嘗試操作。
 WARNING 警告	Mishandling due to failure to follow these instructions may result in damage or injury. 因為疏忽這些操作說明，而使用錯誤可能造成財產損失或嚴重傷害。
 CAUTION 注意	Mishandling due to failure to follow these instructions may result in danger. 因為疏忽這些操作說明，而使用錯誤可能造成危險。

IMPORTANT NOTES 重要聲明

R/C helicopters, including the T-REX 700N DFC are not toys. R/C helicopter utilize various high-tech products and technologies to provide superior performance. Improper use of this product can result in serious injury or even death. Please read this manual carefully before using and make sure to be conscious of your own personal safety and the safety of others and your environment when operating all ALIGN products. Manufacturer and seller assume no liability for the operation or the use of this product. This product is intended for use only by adults with experience flying remote control helicopters at a legal flying field. After the sale of this product we cannot maintain any control over its operation or usage.

As the user of this product, you are solely responsible for operating it in a manner that does not endanger yourself and others or result in damage to the product or the property of others.

T-REX 700N DFC 遙控直昇機並非玩具，它是結合了許多高科技產品所設計出來的休閒用品，所以商品的使用不當或不熟悉都可能造成嚴重傷害甚至死亡，使用之前務必詳讀本說明書，勿輕忽並注意自身安全。注意！任何遙控直昇機的使用，製造商和經銷商是無法對使用者於零件使用的損耗異常或組裝不當所發生之意外負任何責任，本產品是提供給有操作過模型直昇機經驗的成人或有相當技術的人員在旁指導於當地合法遙控飛行場飛行，以確保安全無虞下操作使用，產品售出後本公司將不負任何操作和使用控制上的任何性能與安全責任。

作為本產品的使用者，您，是唯一對於您自己操作的環境及行為負全部的責任之人。

We recommend that you obtain the assistance of an experienced pilot before attempting to fly our products for the first time. A local expert is the best way to properly assemble, setup, and fly your model for the first time. The T-REX 700N DFC requires a certain degree of skill to operate, and is a consumer item. Any damage or dissatisfaction as a result of accidents or modifications are not covered by any warranty and cannot be returned for repair or replacement. Please contact our distributors for free technical consultation and parts at discounted rates when you experience problems during operation or maintenance. As Align Corporation Limited has no control over use, setup, final assembly, modification or misuse, no liability shall be assumed nor accepted for any resulting damage or injury. By the act of use, setup or assembly, the user accepts all resulting liability.

模型商品屬於需高操作技術且為消耗性之商品，如經拆裝使用後，會造成不等情況零件損耗，任何使用情況所造成商品不良或不滿意，將無法於保固條件內更換新品或退貨，如遇有使用操作維修問題，本公司全省分公司或代理商將提供技術指導、特價零件供應服務。對使用者的不當使用、設定、組裝、修改、或操作不良所造成的破損或傷害，本公司無法控制及負責。任何使用、設定、組裝、修改、或操作不良所造成的破損、意外或傷害，使用者應承擔全部責任。

2. SAFETY NOTES 安全注意事項



- Fly only in safe areas, away from other people. Do not operate R/C aircraft within the vicinity of homes or crowds of people. R/C aircraft are prone to accidents, failures, and crashes due to a variety of reasons including, lack of maintenance, pilot error, and radio interference. Pilots are responsible for their actions and damage or injury occurring during the operation or as a result of R/C aircraft models.
- Prior to every flight, carefully check rotorhead spindle shaft screws and tail blade grip screws, linkage balls and screws, ensure they are firmly secured.
- 遙控模型飛機、直昇機屬高危險性商品，飛行時務必遠離人群，人為組裝不當或機件損壞、電子控制設備不良，以及操作上的不熟悉，都有可能導致飛行失控損傷等不可預期的意外，請飛行者務必注意飛行安全，並需了解自負疏忽所造成任何意外之責任。
- 每趟飛行前須仔細檢查，主旋翼夾座橫軸螺絲、尾旋翼夾座螺絲，以及機身各部位球頭、螺絲，確實上膠膠緊才能升空飛行。



LOCATE AN APPROPRIATE LOCATION 遠離障礙物及人群

R/C helicopters fly at high speed, thus posing a certain degree of potential danger. Choose a legal flying field consisting of flat, smooth ground without obstacles. Do not fly near buildings, high voltage cables, or trees to ensure the safety of yourself, others and your model. For the first practice, please choose a legal flying field. Do not fly your model in inclement weather, such as rain, wind, snow or darkness.

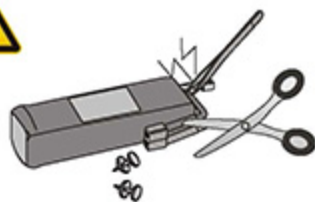
直昇機飛行時具有一定的速度，相對的也潛在著危險性，場地的選擇也相對的重要，請遵守當地法規到合法遙控飛行場地飛行。務必選擇在空曠合法專屬飛行場地，並必須注意周邊有沒有、高樓、建築物、高壓電線、樹木等等，避免操控的不當造成自己與他人財產的損壞。請勿在下雨、打雷等惡劣天氣下操作，以確保本身及機體的安全。



NOTE ON LITHIUM POLYMER BATTERIES 鋰聚電池注意事項

Lithium Polymer batteries are significantly more volatile than alkaline or Ni-Cd/Ni-MH batteries used in RC applications. All manufacturer's instructions and warnings must be followed closely. Mishandling of Li-Po batteries can result in fire. Always follow the manufacturer's instructions when disposing of Lithium Polymer batteries.

鋰聚電池跟一般在RC使用的鹼性電池、鎳鎘電池、鎳氫電池比較起來是相對危險的。請嚴格遵守鋰聚電池說明書之使用注意事項。不恰當使用鋰聚電池，可能造成火災並危及生命財產安全，切勿大意！



PREVENT MOISTURE 遠離潮濕環境

R/C models are composed of many precision electrical components. It is critical to keep the model and associated equipment away from moisture and other contaminants. The introduction or exposure to water or moisture in any form can cause the model to malfunction resulting in loss of use, or a crash. Do not operate or expose to rain or moisture.

直昇機內部也是由許多精密的電子零組件組成，所以必須絕對的防止潮濕或水氣，避免在浴室或雨天時使用，防止水氣進入機身內部而導致機件及電子零件故障而引發不可預期的意外！



PROPER OPERATION 勿不當使用本產品

Please use the replacement of parts on the manual to ensure the safety of instructors. This product is for R/C model, so do not use for other purpose.

請勿自行改造加工，任何的升級改裝或維修，請使用亞拓產品目錄中的零件，以確保結構的安全。請確認於產品限界內操作，請勿過載使用，並勿用於安全、法令外其它非法用途。



OBTAIN THE ASSISTANCE OF AN EXPERIENCED PILOT 避免獨自操控

Before turning on your model and transmitter, check to make sure no one else is operating on the same frequency. Frequency interference can cause your model, or other models to crash. The guidance provided by an experienced pilot will be invaluable for the assembly, tuning, trimming, and actual first flight or unforeseen danger may happen. (Recommend you to practice with computer-based flight simulator.)

至飛行場飛行前，需確認是否有相同頻率的同好正進行飛行，因為開啟相同頻率的發射器將導致自己與他人立即干擾等意外危險。遙控飛機操控技巧在學習初期有著一定的難度，要盡量避免獨自操作飛行，需有經驗的人士在旁指導，才可以操控飛行，否則將可能造成不可預期的意外發生。(動線電腦模擬器及老手指導是入門必要的選擇)



SAFE OPERATION 安全操作

Operate this unit within your ability. Do not fly under tired condition and improper operation may cause in danger. Never take your eyes off the model or leave it unattended while it is turned on. Immediately turn off the model and transmitter when you have landed the model.

請於自己能力內及需要一定技術範圍內操作這台直昇機，過於疲勞、精神不佳或不當操作，意外發生風險將可能會提高。不可在視線範圍外進行，降落後也請馬上關掉直昇機和遙控器電源。



ALWAYS BE AWARE OF THE ROTATING BLADES 遠離運轉中零件

During the operation of the helicopter, the main rotor and tail rotor will be spinning at a high rate of speed. The blades are capable of inflicting serious bodily injury and damage to the environment. Be conscious of your actions, and careful to keep your face, eyes, hands, and loose clothing away from the blades. Always fly the model a safe distance from yourself and others, as well as surrounding objects.

直昇機主旋翼與尾旋翼運轉時會以高轉速下進行，在高轉速下的旋翼會造成自己與他人在身體上或環境上的嚴重損傷，請勿觸摸運轉中的主旋翼與尾旋翼，並保持安全距離以避免造成危險及損壞。












KEEP AWAY FROM HEAT 遠離熱源

R/C models are made of various forms of plastic. Plastic is very susceptible to damage or deformation due to extreme heat and cold climate. Make sure not to store the model near any source of heat such as an oven, or heater. It is best to store the model indoors, in a climate-controlled, room temperature environment.


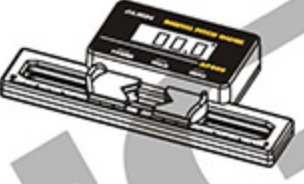







遙控飛機、直昇機多半是以 PA 纖維或聚乙烯、電子商品為主要材質，因此要盡量遠離熱源、日曬，以避免因高溫而變形甚至熔毀損壞的可能。



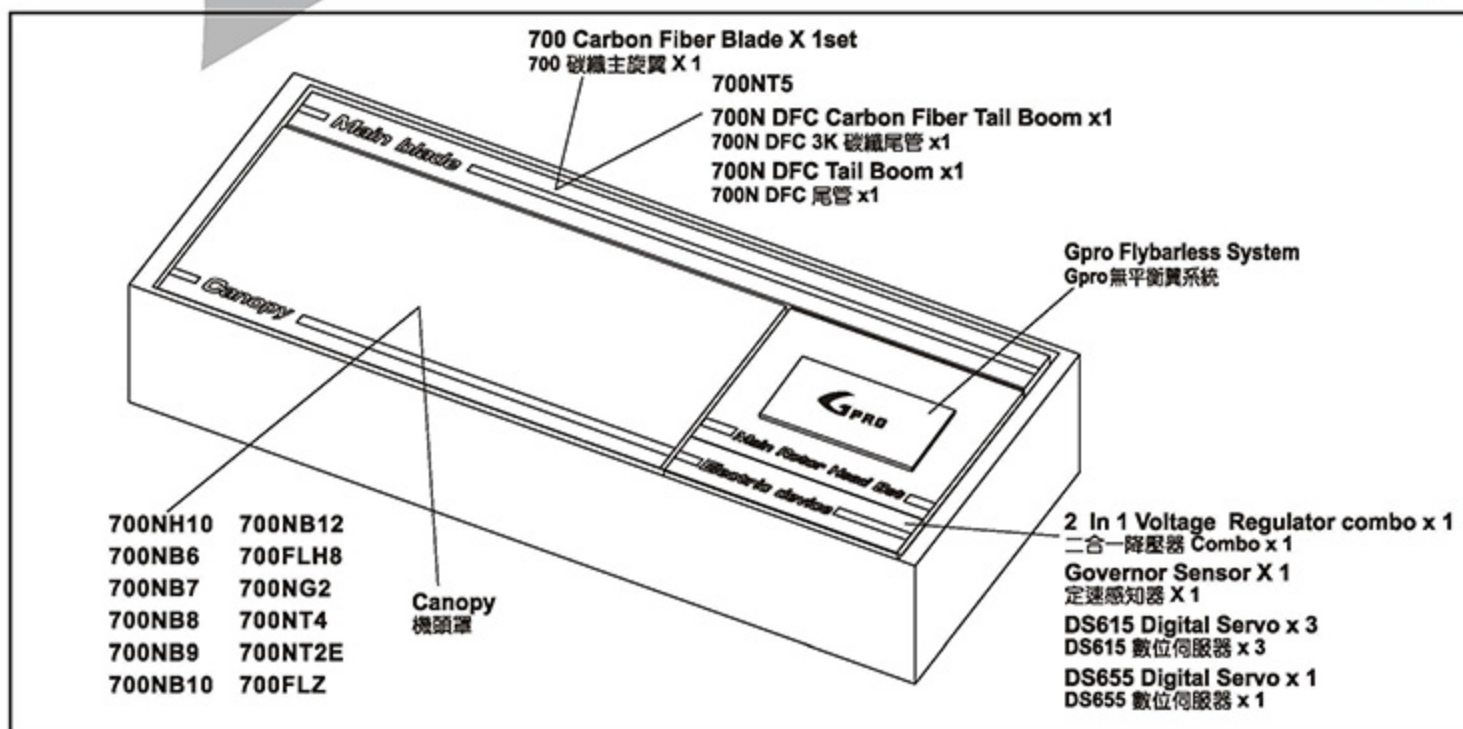
RADIO TRANSMITTER AND ELECTRONIC EQUIPMENT REQUIRED FOR ASSEMBLY 自備遙控及電子設備

 Transmitter (7-channel or more, helicopter system) 發射機(七動以上直昇機模式遙控器)	 Standard size throttle servo (minimum speed 0.10 sec/60°, torque 3kg.cm or higher) 油門用標準伺服器(速度:0.10秒/60度以內,扭力:3kg.cm以上)	 90-120 Muffler 90-120 高致加強管	 Receiver(7-channel or more) 接收機(七動以上)	 Remote Receiver 衛星天線
 Engine Starter 啓動器	 Fuel Pump 加油器	 Engine Fuel 引擎燃油	 ALIGN 91H Engine 91H 引擎 ALIGN 91HP Engine 91HP 引擎 ALIGN 105HP Engine 105HP 引擎	

ADDITIONAL TOOLS REQUIRED FOR ASSEMBLY 自備工具

 Swashplate Leveler 十字盤調整器	 Digital Pitch Gauge 電子螺距規	 Multi-function Tester Voltmeter/servo Diagnosis 多功能檢測計 電池電壓/伺服器檢測			
 Philips Screw Driver 十字螺絲起子 φ3.0/φ1.8mm	 Cutter Knife 刀子	 Hexagon Screw Driver 六角螺絲起子 3mm/2.5mm/2mm/1.5mm	 Needle Nose Pliers 尖嘴鉗	 Oil 潤滑油	 CA 膠帶膠









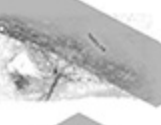










4.PACKAGE ILLUSTRATION 包裝說明



CAREFULLY INSPECT BEFORE REAL FLIGHT 請嚴格執行飛行前之檢查義務

- Before flying, please check to make sure no one else is operating on the same frequency for the safety.
 - Before flight, please check if the batteries of transmitter and receiver are enough for the flight.
 - Before turn on the transmitter, please check if the throttle stick is in the lowest position. IDLE switch is OFF.
 - When turn off the unit, please follow the power on/off procedure. Power ON- Please turn on the transmitter first, and then turn on receiver. Power OFF- Please turn off the receiver first and then turn off the transmitter. Improper procedure may cause out of control, so please to have this correct habit.
 - Before operation, check every movement is smooth and directions are correct. Carefully inspect servos for interference and broken gear.
 - Check for missing or loose screws and nuts. See if there is any cracked and incomplete assembly of parts. Carefully check main rotor blades and rotor holders. Broken and premature failures of parts possibly cause resulting in a dangerous situation.
 - Check all ball links to avoid excess play and replace as needed. Failure to do so will result in poor flight stability.
 - Check if the battery and power plug are fastened. Vibration and violent flight may cause the plug loose and result out of control.
- 每次飛行前應先確認所使用的頻率是否會干擾他人，以確保您自身與他人的安全。
 - 每次飛行前確定您發射器與接收器電池的電量是在足夠飛行的狀態。
 - 開機前確認油門搖桿是否位於最低點，熄火降落開關，定速開關(IDLE)是否於關閉位置。
 - 開機時必須遵守電源開關機的程序，開機時應先開啟發射器後，再開接收器電源；關機時應先關閉接收器後，再關閉發射器電源。不正確的開關程序可能會造成失控的現象，影響自身與他人的安全，請養成正確的習慣。
 - 開機前請先確定直昇機的各個動作是否順暢，及方向是否正確，並檢查伺服器的動作是否有干涉或崩齒的情形，使用故障的伺服器將導致不可預期的危險。
 - 飛行前確認沒有缺少或鬆脫的螺絲與螺帽，確認沒有組裝不完整或損毀的零件，仔細檢查主旋翼是否有損壞，特別是接近主旋翼夾座的部位。損壞或組裝不完整的零件不僅影響飛行，更會造成不可預期的危險。注意：每次飛行前的安全檢查、保養、及更換損耗零件，請確實嚴格執行以確保安全。
 - 檢查所有的連桿頭是否有鬆脫的情形，過鬆的連桿頭應先更新，否則將造成直昇機無法操控的危險。
 - 確認電池及電源接頭是否固定牢靠，飛行中的震動或激烈的飛行，可能造成電源接頭鬆脫而造成失控的危險。

STANDARD EQUIPMENT 標準配備

						
700NC2	700NH10	700NB6	700NB7	700NB8	700NB9	700NB10
						
700NB12	700FLH8	700NG2	700NT4	700NT2E	700NT5	700FLZ
						
Governor Sensor x 1 定速感知器 x 1	B6T 2 in 1 Voltage Regulator x 1 B6T 二合一降壓器 x 1		700 Carbon Fiber Blades x 1 700 碳纖維主旋翼 x 1	DS615 Digital Servo x 3 DS615 數位伺服器 x 3	DS655 Digital Servo x 1 DS655 數位伺服器 x 1	Gpro Flybarless System x 1 Gpro無平衡翼系統 x 1

When you see the marks as below, please use glue or grease to ensure flying safety.

標有以下符號之組裝步驟，請配合上膠或上油，以確保使用之可靠度。



- CA : Apply CA Glue to fix.
R48 : Apply Anaerobics Retainer to fix.
T43 : Apply Thread Lock to fix.
OIL : Add Grease.
CA : 使用瞬間膠固定
R48 : 使用金屬管狀固定缺氧膠固定
T43 : 使用螺絲膠
OIL : 添加潤滑油

When assembling ball links, make sure the "A" character faces outside.

各項塑膠製連桿頭扣接時，A字請朝外。



Grease
潤滑油



R48
綠色



T43
藍色



CA
瞬時膠(自備)

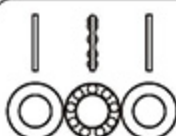


T43 Glue width : approx. 1mm
T43上膠寬度約1mm

R48 metal tubular adhesive (eg. Bearings). T43 thread lock, apply a small amount on screws or metal parts and wipe surplus off. When disassembling, recommend to heat the metal joint about 15 Seconds. (NOTE : Keep plastic parts away from heat.)

R48 為強力金屬管狀(如軸承)接著劑，T43為螺絲膠，膠合螺絲或金屬內外徑請務必少量使用，必要時請用手去擦除多餘膠量，欲拆卸時可於金屬接合部位熱烤約15秒。(注意！塑膠件避免接近熱源)

700FLH8



Thrust Bearing
止推軸承(φ10.2xφ18x5.5mm) X 2

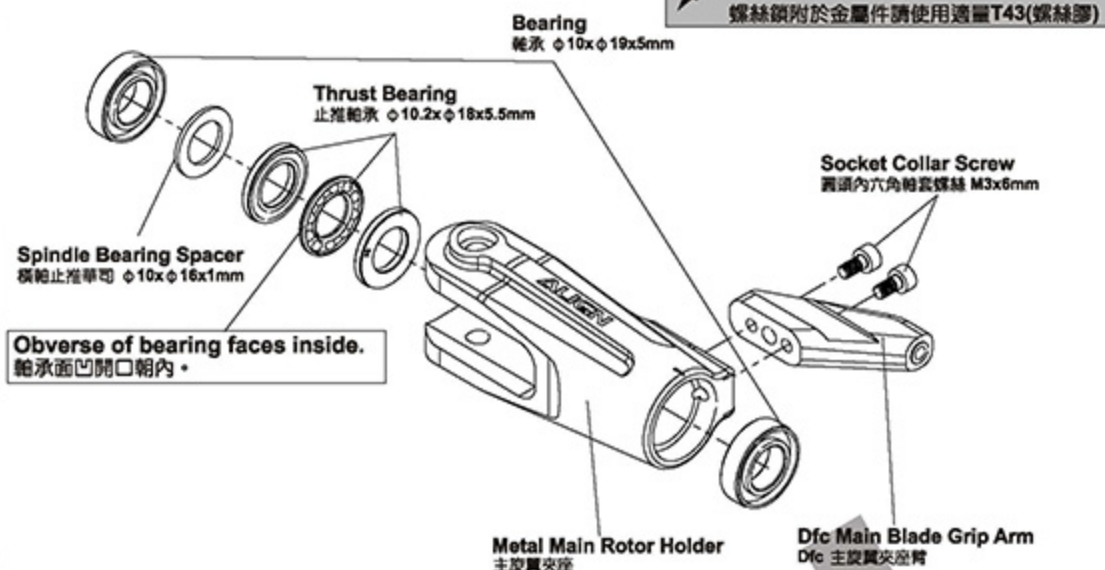


Bearing
軸承(φ10xφ19x5mm) X 4

Spindle Bearing Spacer
橫軸止推墊圈(φ10xφ16x1mm) X 2



Socket Collar Screw
圓頭內六角軸套螺絲(M3x6mm)x4



Apply a little amount of T43 thread lock when fixing a metal part.
螺絲鎖附於金屬件請使用適量T43(螺絲膠)



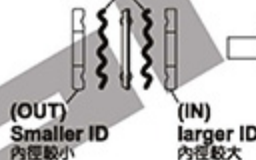
CAUTION 注意
Thrust bearing and washer for radial bearing are wear items, and thus should be inspected for replacement after every 20 flights. For flights with high headspeed, the inspection interval should be reduced to ensure flight safety.

止推軸承及橫軸墊圈屬於飛行消耗品，建議每20趟定期檢查及更換，高主旋翼轉速飛行時，請縮短定期檢查之週數，以確保飛行安全。

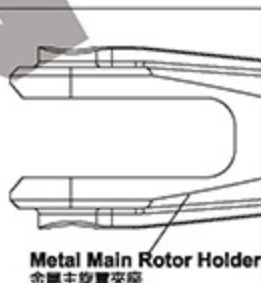


CAUTION 注意
Apply grease on thrust bearing.

止推軸承塗上潤滑油



Thrust Bearing 止推軸承



Metal Main Rotor Holder
金屬主旋翼夾座



CAUTION 注意
Already assembled by Factory. Before flying, please check if the screws are fixed with glue. 原廠組裝完成品，每一次飛行前請先確認螺絲是否已上膠不會鬆動。

700FLH8



Spindle Bearing Spacer
橫軸止推墊圈(φ10xφ16x1mm) X 2



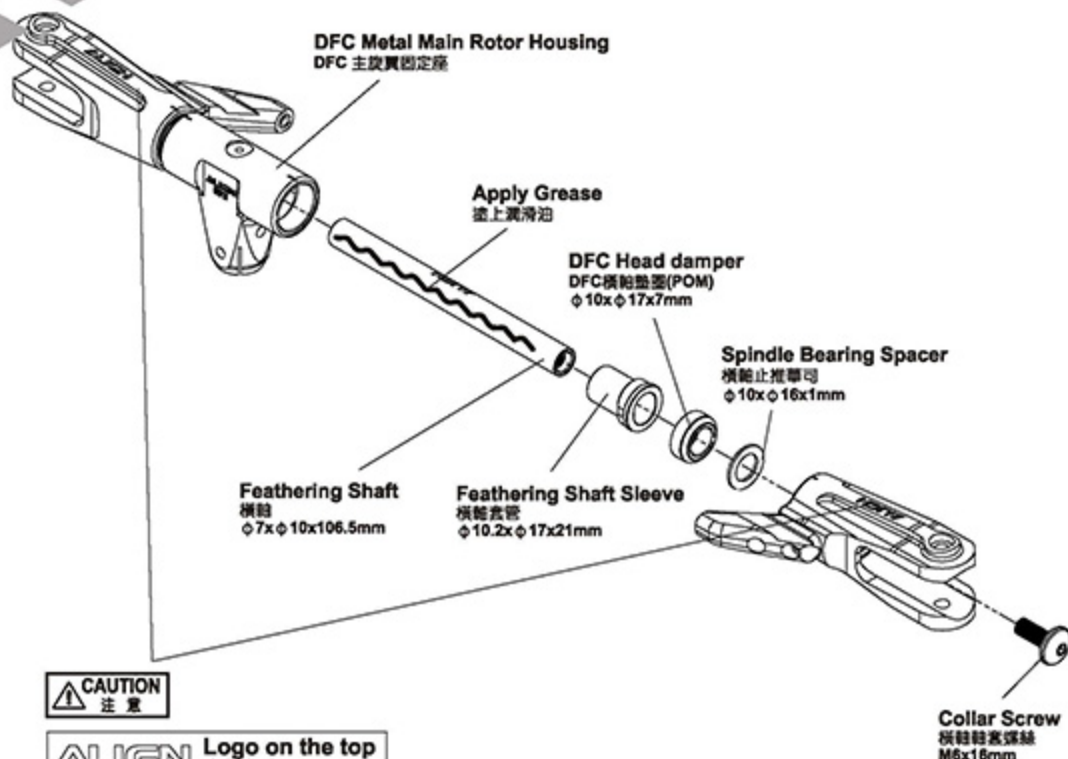
Collar Screw
橫軸軸套螺絲(m6x16mm) X 2



Feathering Shaft Sleeve
橫軸套管(φ10.2xφ17x21mm) X 2



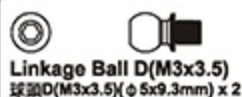
DFC Head Damper
DFC橫軸墊圈(φ10xφ17x7mm) X 2



CAUTION 注意
ALIGN Logo on the top
字樣朝上

Collar Screw
橫軸軸套螺絲
M6x16mm

700NH10



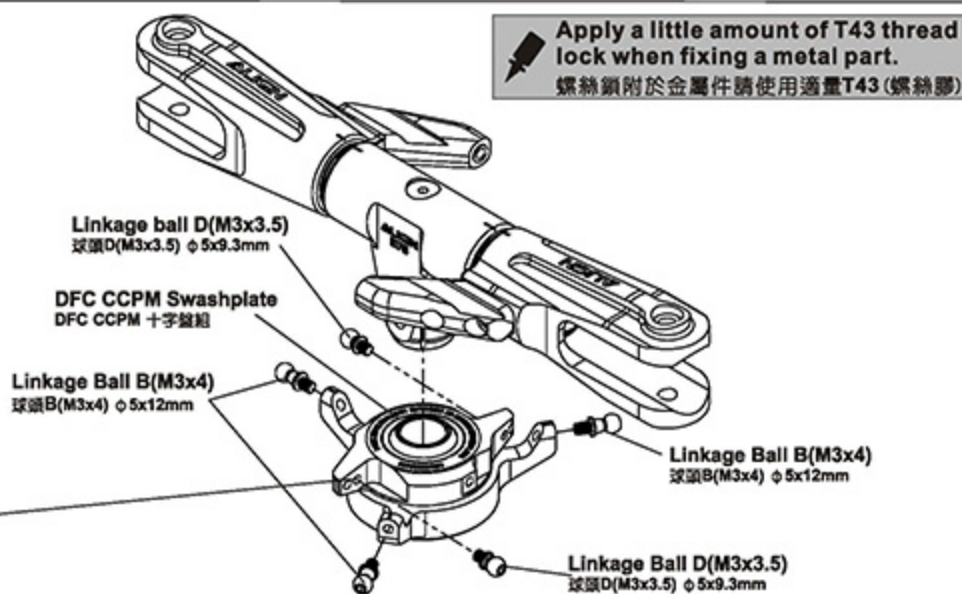
Linkage Ball D (M3x3.5)
球頭D (M3x3.5) (φ5x9.3mm) x 2



Linkage Ball B (M3x4)
球頭B (M3x4) (φ5x12mm) x 3



Use the inner hole
請對準內孔



700FLH8



Bearing
軸承 (φ3xφ7x3mm) x 4



Main Rotor Griplinkage Bearing Sleeve
主旋翼連桿軸承套 (φ3xφ4.8x9.1mm) x 2



Socket Screw
圓頭內六角螺絲 (M3x10mm) x 1



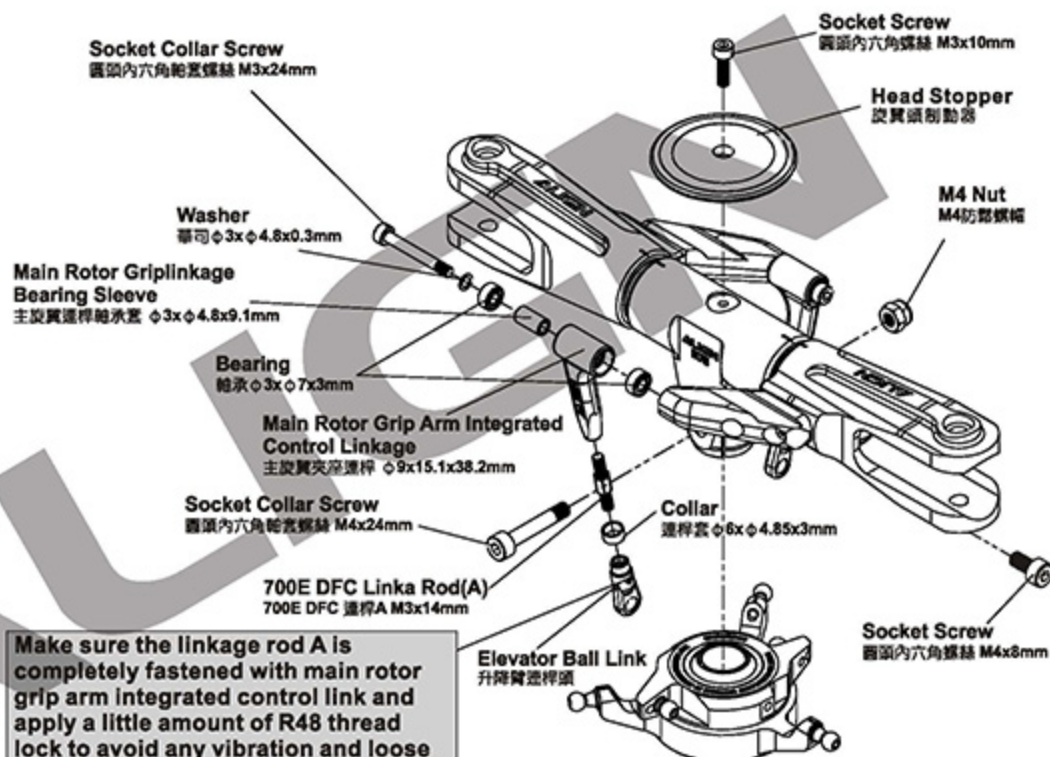
Socket Collar Screw
圓頭內六角鉸套螺絲 (M3x24mm) x 2



Washer
華司 (φ3xφ4.8x0.3mm) x 2



DFC Metal Main
DFC 連桿A (M3x14mm) x 2



Make sure the linkage rod A is completely fastened with main rotor grip arm integrated control link and apply a little amount of R48 thread lock to avoid any vibration and loose fitted during flight and cause it breaks.
連桿A鎖入主旋翼夾桿連桿須確實鎖緊並使用適量R48固定，避免飛行中的震動及鬆動，嚴重可能導致飛行中斷裂。

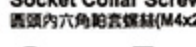
700FLH8A



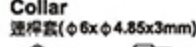
Socket Screw
圓頭內六角螺絲 (M4x8mm) x 2



Socket Collar Screw
圓頭內六角鉸套螺絲 (M4x24mm) x 1



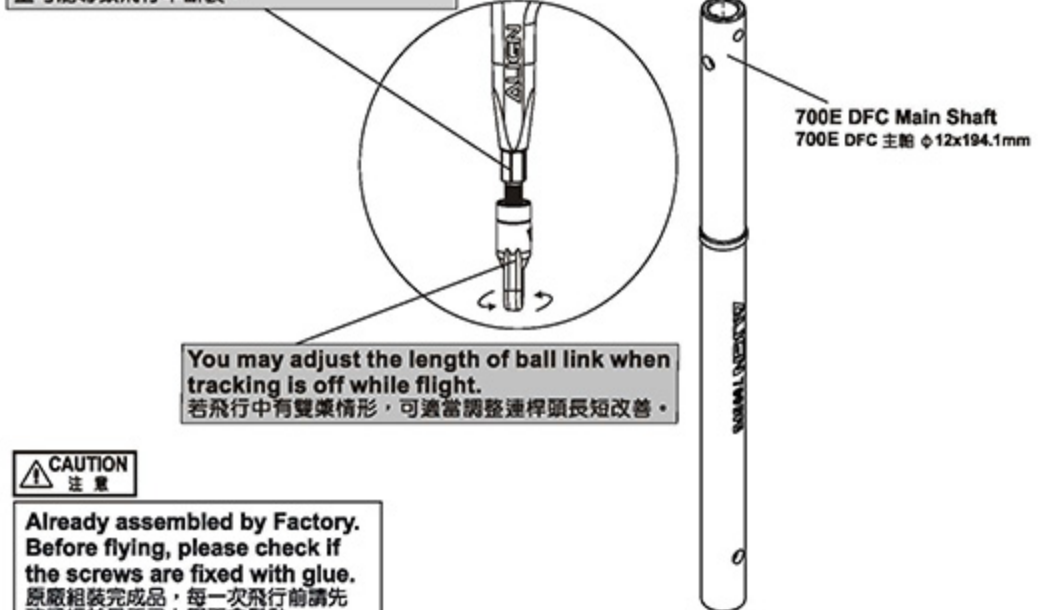
Collar
連桿套 (φ6xφ4.85x3mm) x 2



M4 Nut
M4防鬆螺帽 x 1



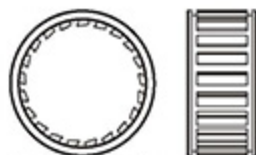
Elevator Ball Link
升降翼連桿頭 x 2



700NB9



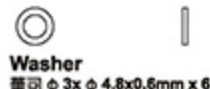
Bearing
轴承 (φ 15x φ 21x4mm) x 2



One-way Bearing
單向軸承 (φ 15x φ 23x11mm) x 1



Spacer
700 單向墊片
φ 18x φ 22.7x0.7mm x 1



Washer
華司 φ 3x φ 4.8x0.6mm x 6

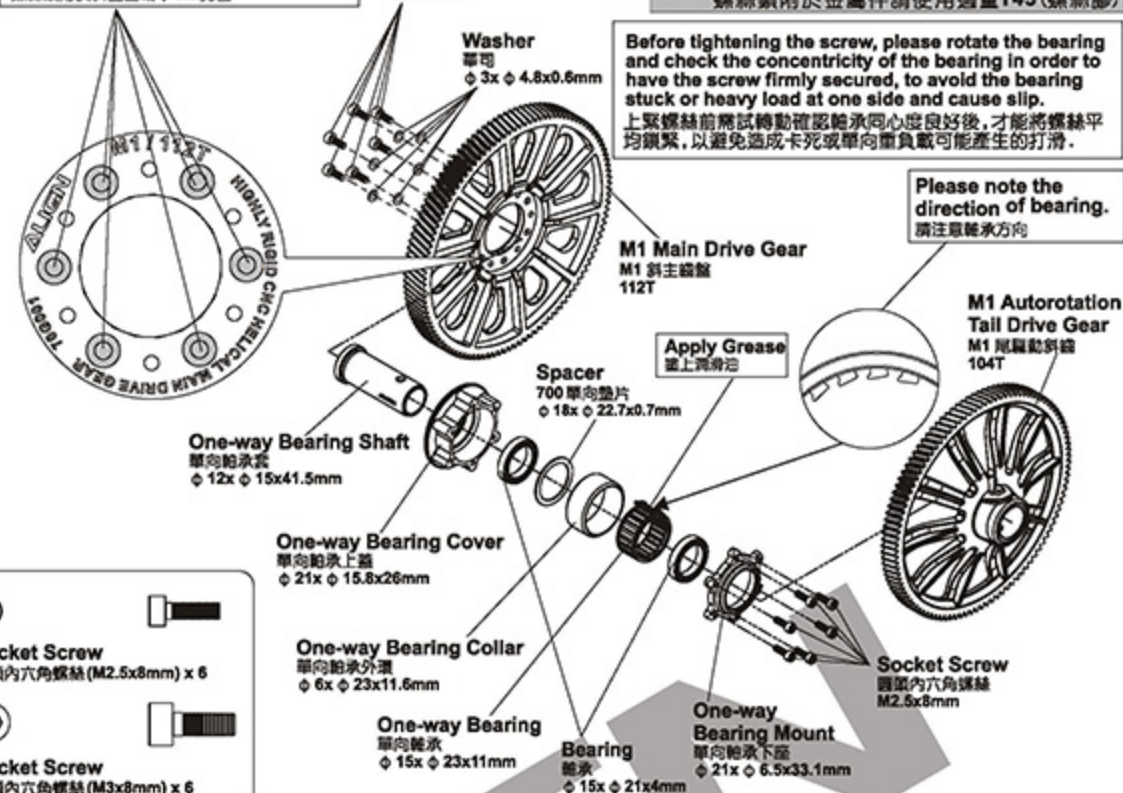
Please fasten the screws to the φ 3.0 holes of the slant main gear.
螺絲鎖附於斜主齒輪 φ 3.0 孔位

Socket Screw
圓頭內六角螺絲
M3x8mm

Apply a little amount of T43 thread lock when fixing a metal part.
螺絲鎖附於金屬件請使用適量T43(螺絲膠)

Before tightening the screw, please rotate the bearing and check the concentricity of the bearing in order to have the screw firmly secured, to avoid the bearing stuck or heavy load at one side and cause slip.
上緊螺絲前需試轉動確認軸承同心度良好後,才能將螺絲平均鎖緊,以避免造成卡死或單向重負載可能產生的打滑。

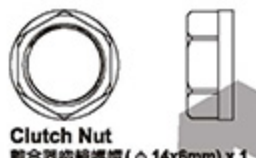
Please note the direction of bearing.
請注意軸承方向



700NB11



M4 Set Screw
M4 止洩螺絲 (M4x4mm) x 2



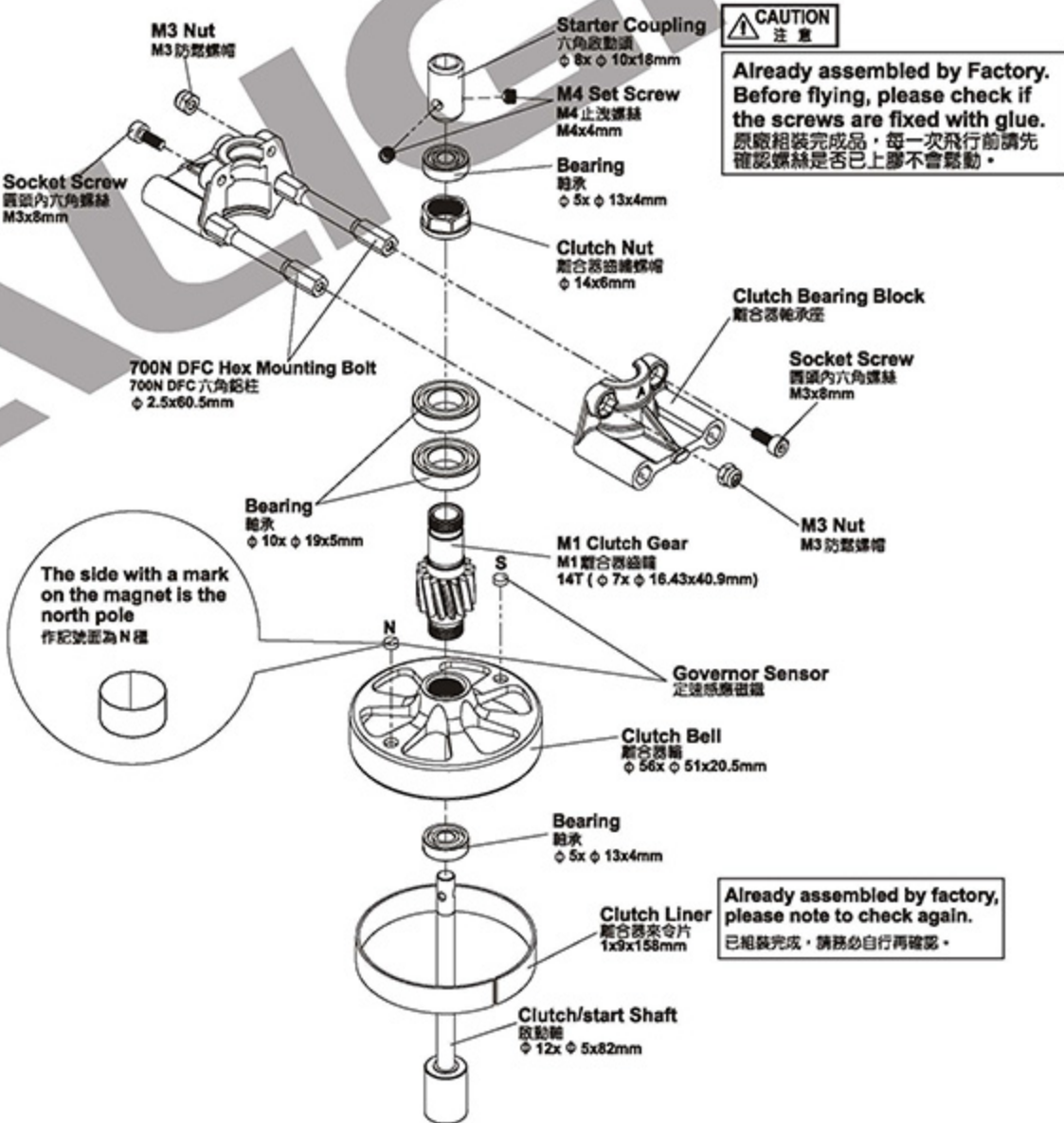
Clutch Nut
離合器齒輪螺帽 (φ 14x8mm) x 1



Bearing
軸承 (φ 5x φ 13x4mm) x 2



Bearing
軸承 (φ 10x φ 19x5mm) x 2



CAUTION 注意
Already assembled by Factory. Before flying, please check if the screws are fixed with glue.
原廠組裝完成品, 每一次飛行前請先確認螺絲是否已上膠不會鬆動。

The side with a mark on the magnet is the north pole
作記號面為N極

Already assembled by factory, please note to check again.
已組裝完成, 請務必自行再確認。

700NB4B



Socket Screw
圓頭內六角螺絲 (M3x8mm) x 2



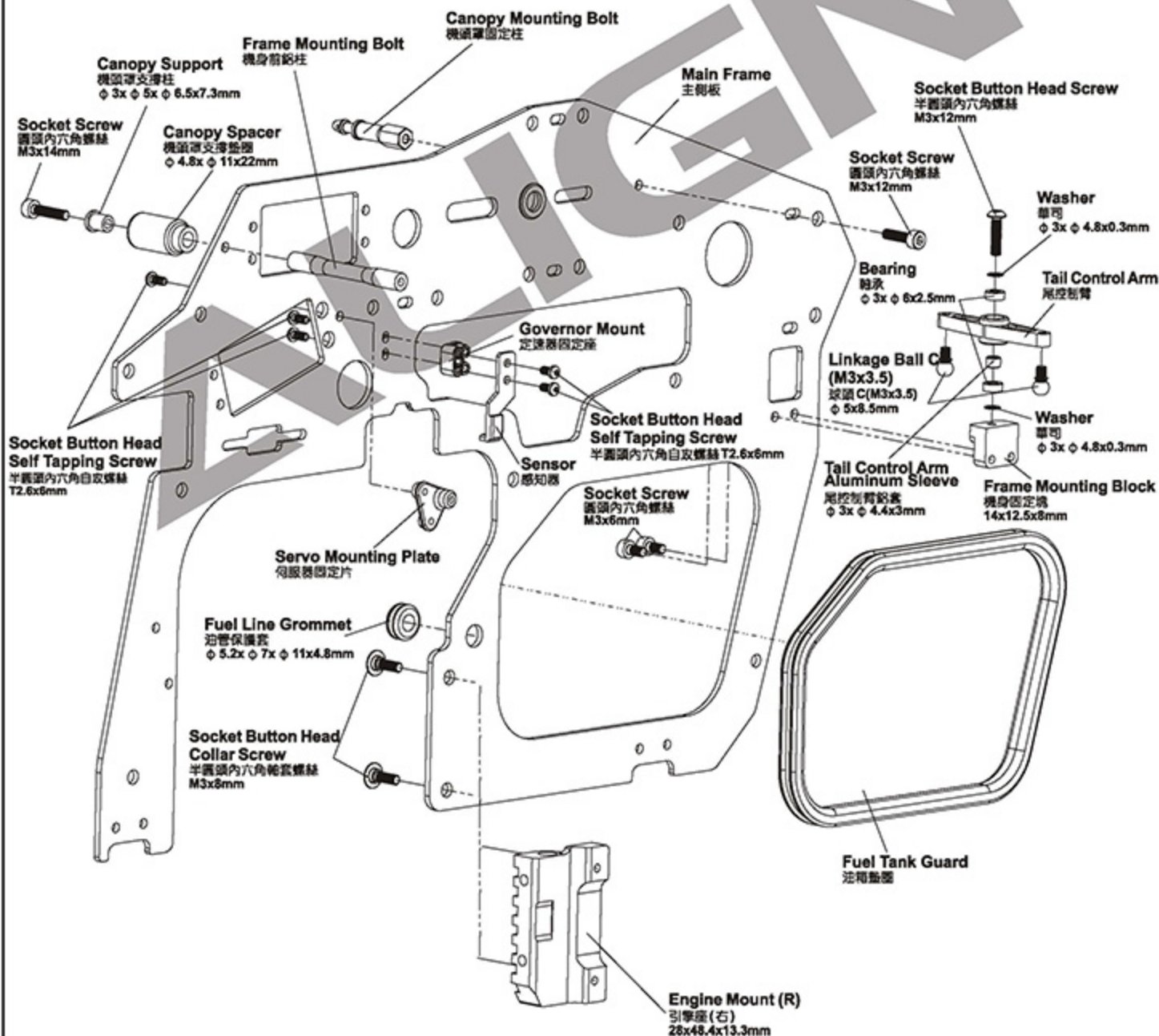
M3 Nut
M3 防鬆螺帽 x 2

700NB7A**700NB12A****700NB7**

Apply a little amount of T43 thread lock when fixing a metal part.
螺絲鎖附於金屬件請使用適量 T43(螺絲膠)

CAUTION
注意

Already assembled by Factory.
Before flying, please check if the screws are fixed with glue.
原廠組裝完成品，每一次飛行前請先確認螺絲是否已上膠不會鬆動。



700NB12A

M3 Set Screw
M3 止洩螺絲 (M3x15mm) x 2



Socket Button Head Collar Screw
半圓頭內六角軸套螺絲 (M3x8mm) x 6

700NB7

Socket Button Head Collar Screw
半圓頭內六角軸套螺絲 (M3x8mm) x 8



Bearing
軸承 (φ 12x φ 24x6mm) x 2

700NB7A

Socket Button Head Collar Screw
半圓頭內六角軸套螺絲 (M3x8mm) x 8

700NB4B

Socket Button Head Collar Screw
半圓頭內六角軸套螺絲 (M3x8mm) x 4

Apply a little amount of T43 thread lock when fixing a metal part.
螺絲鎖附於金屬件請使用適量 T43(螺絲膠)

To ensure proper sensor detection of rotating speed, adjust the speed governor sensor so that it is approximately 1mm from magnet.

調整定速感知器高度，使感知器與磁鐵距離約 1mm，以確保感知器正確的偵測轉速。

Governor Mount
定速器固定座

Main Frames
主機板

Sensor
感知器

1mm

RCE G-600 Magnet
(Governor sensor)
RCE G-600 定速器感應磁鐵

Socket Button Head Collar Screw
半圓頭內六角軸套螺絲
M3x8mm

Main Shaft Block
主軸固定座

Bearing
軸承
φ 12x φ 24x6mm

Switch Mount
開板開轉補強片

Front Frame Mount
機身前固定座

Set Screw
止洩螺絲
M3x15mm

Rear Frame Brace
後板後補強片

Receiver Mount
接收器座

Canopy Mounting Bolt
機頭罩固定柱

Front Frame Brace
前板前補強片

Socket Button Head Collar Screw
半圓頭內六角軸套螺絲
M3x8mm

Grommet
油箱接頭墊圈

Fuel Tank
透明油箱
φ 116.54x φ 107.43x80.5mm

Hex Mounting Bolt
六角機身螺栓
φ 5.5x47mm

Fuel Tube
油管
φ 2.5x φ 4.5x90mm

Fuel Tank Sinker
油管接頭

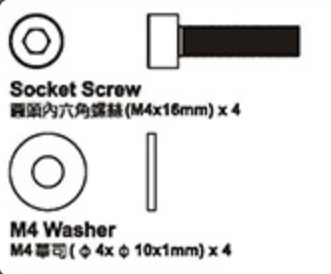
Fuel Tank Nipple
油箱接頭

700NB4B



Socket Button Head Collar Screw
半圓頭內六角鉸套螺絲 (M3x8mm) x 4

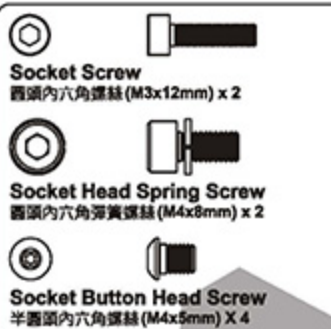
700NB7A



Socket Screw
圓頭內六角螺絲 (M4x16mm) x 4

M4 Washer
M4 墊圈 (4x 10x1mm) x 4

700NB11

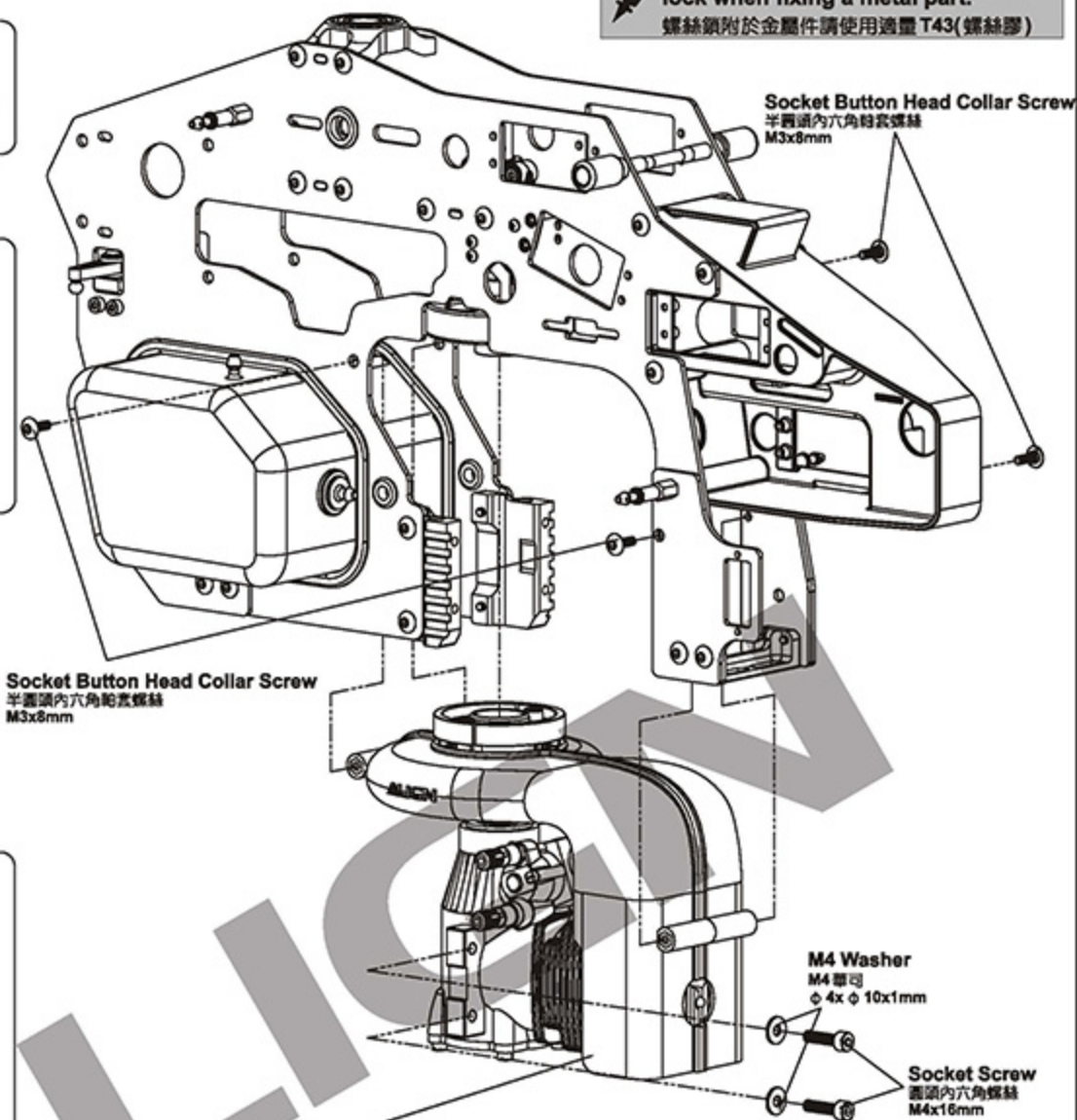


Socket Screw
圓頭內六角螺絲 (M3x12mm) x 2

Socket Head Spring Screw
圓頭內六角彈簧螺絲 (M4x8mm) x 2

Socket Button Head Screw
半圓頭內六角螺絲 (M4x5mm) x 4

Apply a little amount of T43 thread lock when fixing a metal part.
螺絲鎖附於金屬件請使用適量 T43(螺絲膠)

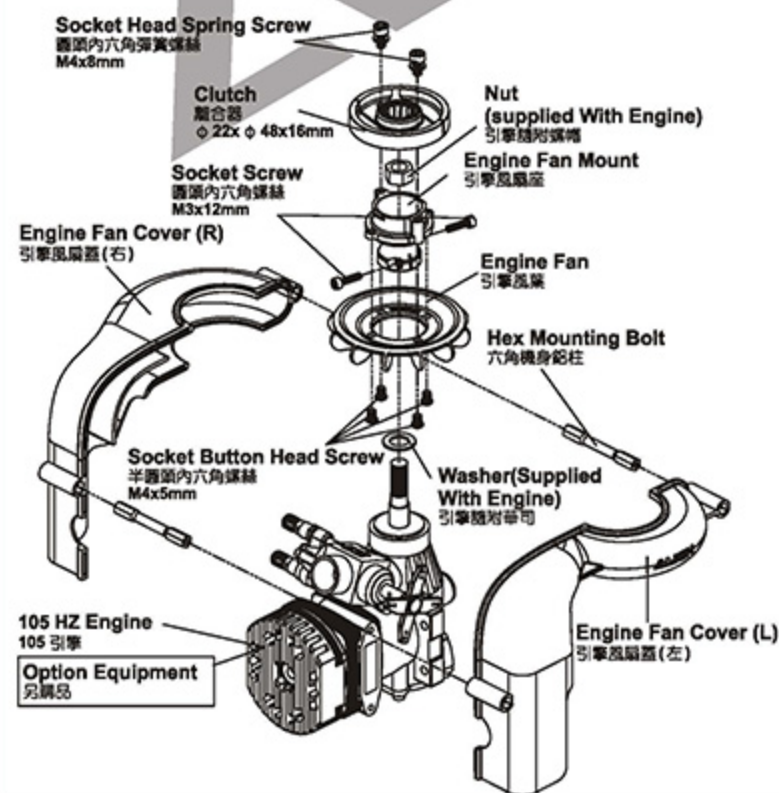


Socket Button Head Collar Screw
半圓頭內六角鉸套螺絲
M3x8mm

Socket Button Head Collar Screw
半圓頭內六角鉸套螺絲
M3x8mm

M4 Washer
M4 墊圈
4x 10x1mm

Socket Screw
圓頭內六角螺絲
M4x16mm



Socket Head Spring Screw
圓頭內六角彈簧螺絲
M4x8mm

Clutch
離合器
22x 48x16mm

Nut
(supplied With Engine)
引擎隨附螺帽

Socket Screw
圓頭內六角螺絲
M3x12mm

Engine Fan Mount
引擎風扇座

Engine Fan Cover (R)
引擎風扇蓋 (右)

Engine Fan
引擎風扇

Hex Mounting Bolt
六角機身鉚柱

Socket Button Head Screw
半圓頭內六角螺絲
M4x5mm

Washer (Supplied With Engine)
引擎隨附墊圈

105 HZ Engine
105 引擎

Option Equipment
另購品

Engine Fan Cover (L)
引擎風扇蓋 (左)

Clutch
離合器
22x 48x16mm

Socket Screw
圓頭內六角螺絲
M3x12mm

Engine Fan
引擎風扇

Engine Fan Mount
引擎風扇座

105 HZ Engine
105 引擎

Option Equipment
另購品

After install the engine into the model, please loosen the fixing screw and adjust the carburetor and the engine are at an angle of 90° (Vertical).
引擎裝入機體後請鬆開固定螺絲將化油器調成與引擎垂直。

引擎裝入機體後請鬆開固定螺絲將化油器調成與引擎垂直。

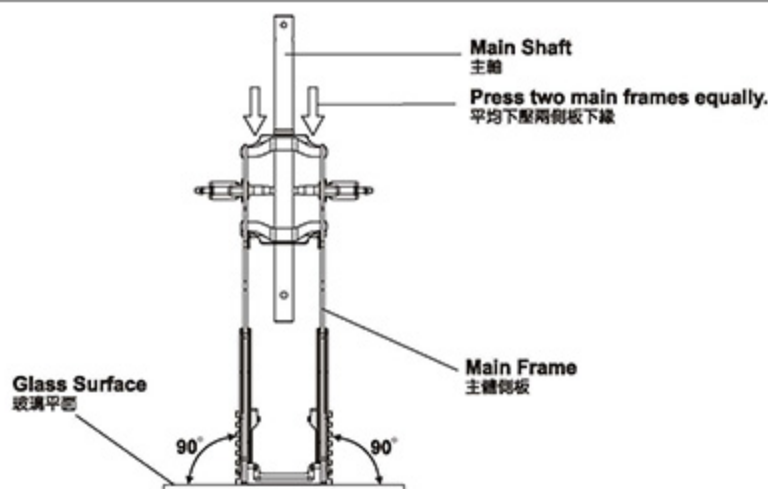


Main frame assembly point :

First do not fully tighten the screws of main frames and put two bearings through the main shaft to check if the movements are smooth. The bottom bracket must be firmly touched the level table top(glass surface); please keep the smooth movements on main shaft and level bottom bracket, then slowly tighten the screws. This assembly can help for the power and flight performance.

機身側板組立重點：

側板螺絲先不完全鎖緊，放入主軸貫穿二顆軸承確認上下移動必需滑順，主體底板必須與水平桌面（玻璃平面）踏實緊貼；請保持主軸滑順與底板平行桌面後慢慢鎖緊螺絲，正確側板的組裝對動力與飛行性能有顯著幫助。

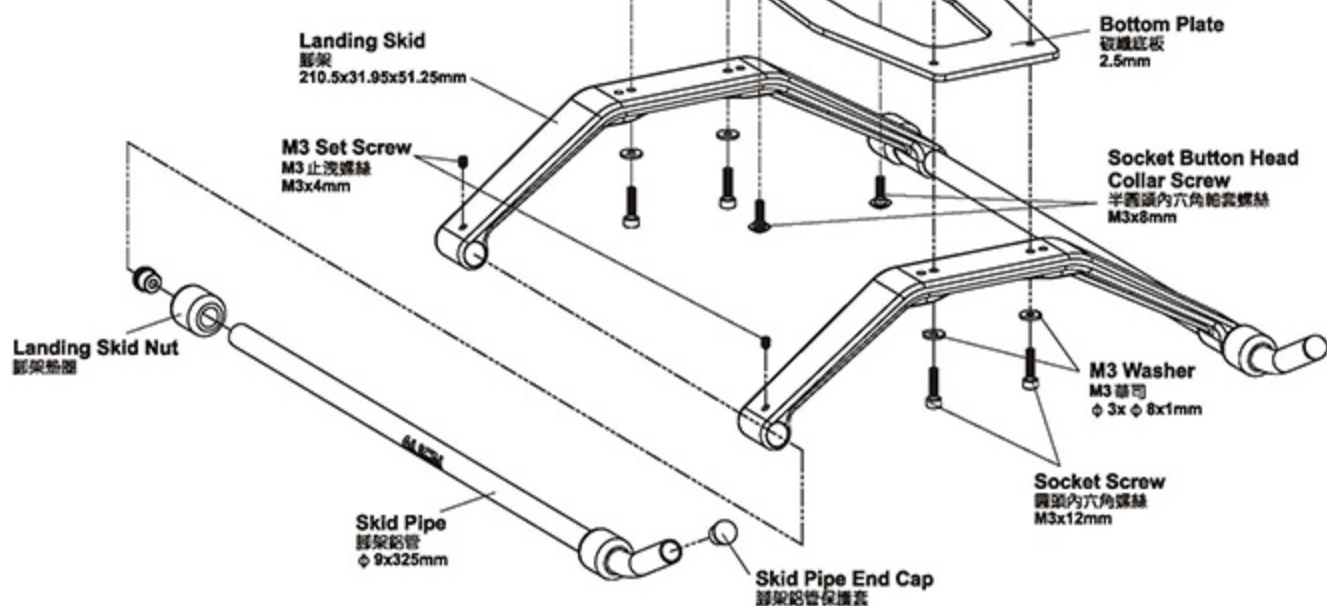
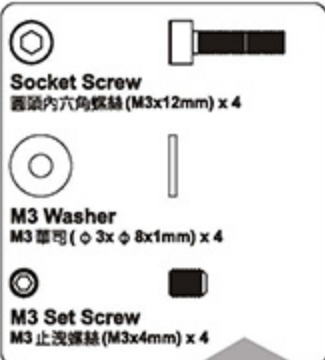


700NB7A



Apply a little amount of T43 thread lock when fixing a metal part.
螺絲鎖附於金屬件請使用適量 T43(螺絲膠)

700NG1



700NZ8



700NB12



700NZ7A



Already assembled by Factory.
Before flying, please check if
the screws are fixed with glue.
原廠組裝完成品，每一次飛行前請先
確認螺絲是否已上膠不會鬆動。

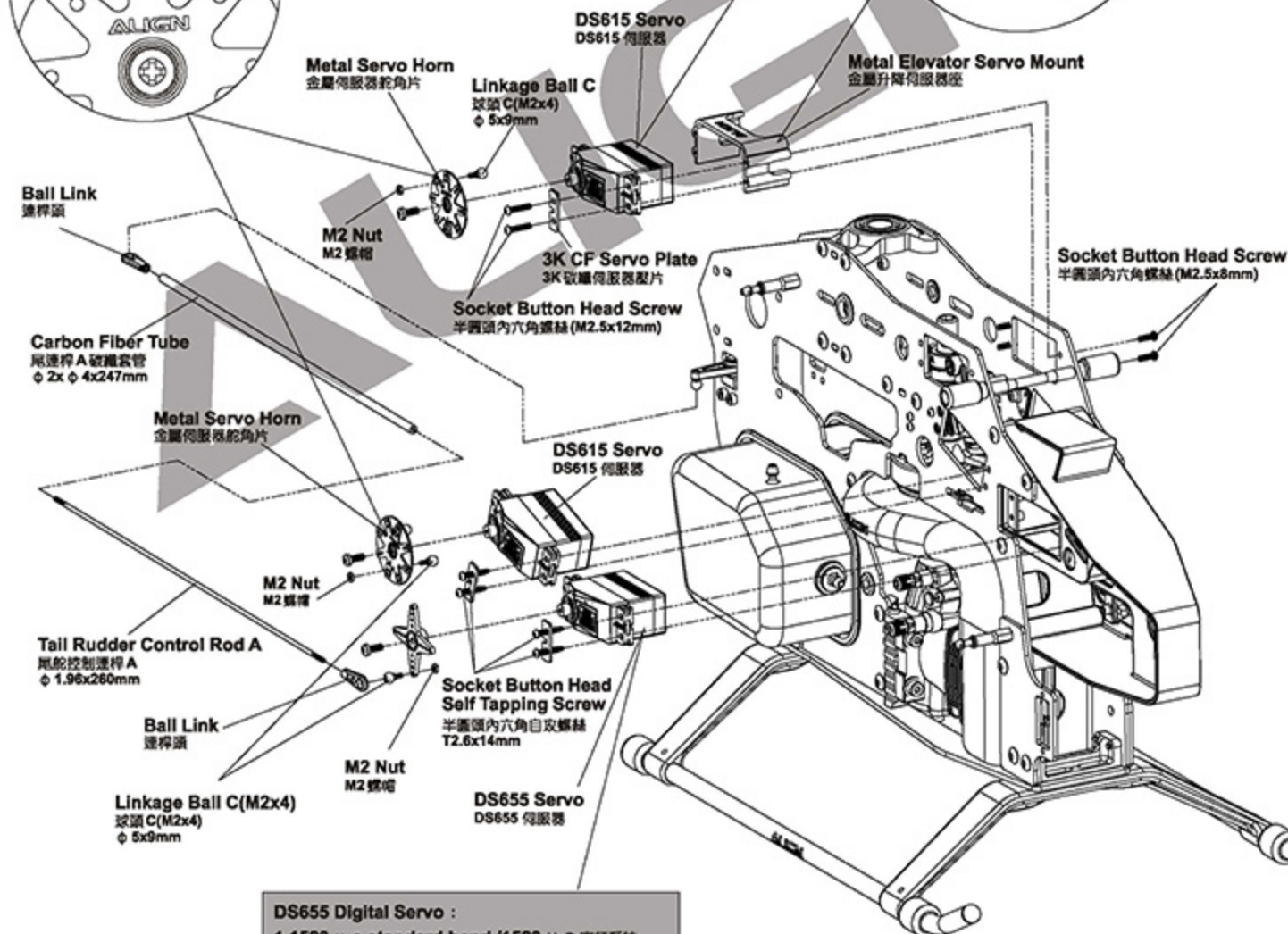
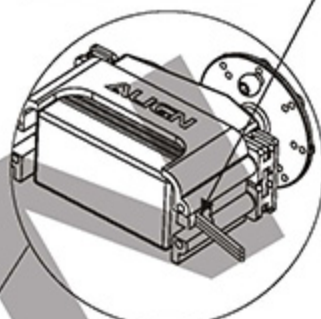


Gpro Flybarless system uses inner hole(A)
Flybar system uses outer hole(B)
Gpro 無平衡翼系統使用內孔 (A)
有平衡翼系統使用外孔 (B)

DS615 Digital Servo :

- 1.1520 μ s standard band / 1520 μ s 寬頻系統
- 2.Stall torque/輸出扭力: 10.4kg.cm(4.8V)
12.8kg.cm(6.0V)
- 3.Motion speed/動作速度: 0.09sec/60° (4.8V)
0.07SEC/60° (6.0V)
- 4.Dimension/尺寸: 40.3 x 20.1 x 37.3mm
- 5.Weight/重量: 56g

To avoid crimping the elevator servo wire,
position the servo so that wire exit is at the
side with the deeper hole in the servo
mounting cage.
安裝伺服器時，請將訊號線出口對到升降伺服器座較深
缺口的一側，避免擠壓訊號線。



DS655 Digital Servo :

- 1.1520 μ s standard band / 1520 μ s 寬頻系統
- 2.Stall torque/輸出扭力: 4.5kg.cm(4.8V)
5.5kg.cm(6.0V)
- 3.Motion speed/動作速度: 0.6sec/60° (4.8V)
0.5sec/60° (6.0V)
- 4.Dimension/尺寸: 40.1 x 20.1 x 37.3mm
- 5.Weight/重量: 56g



Apply a little amount of T43 thread
lock when fixing a metal part.
螺絲鎖附於金屬件請使用適量 T43 (螺絲膠)

700NZ8

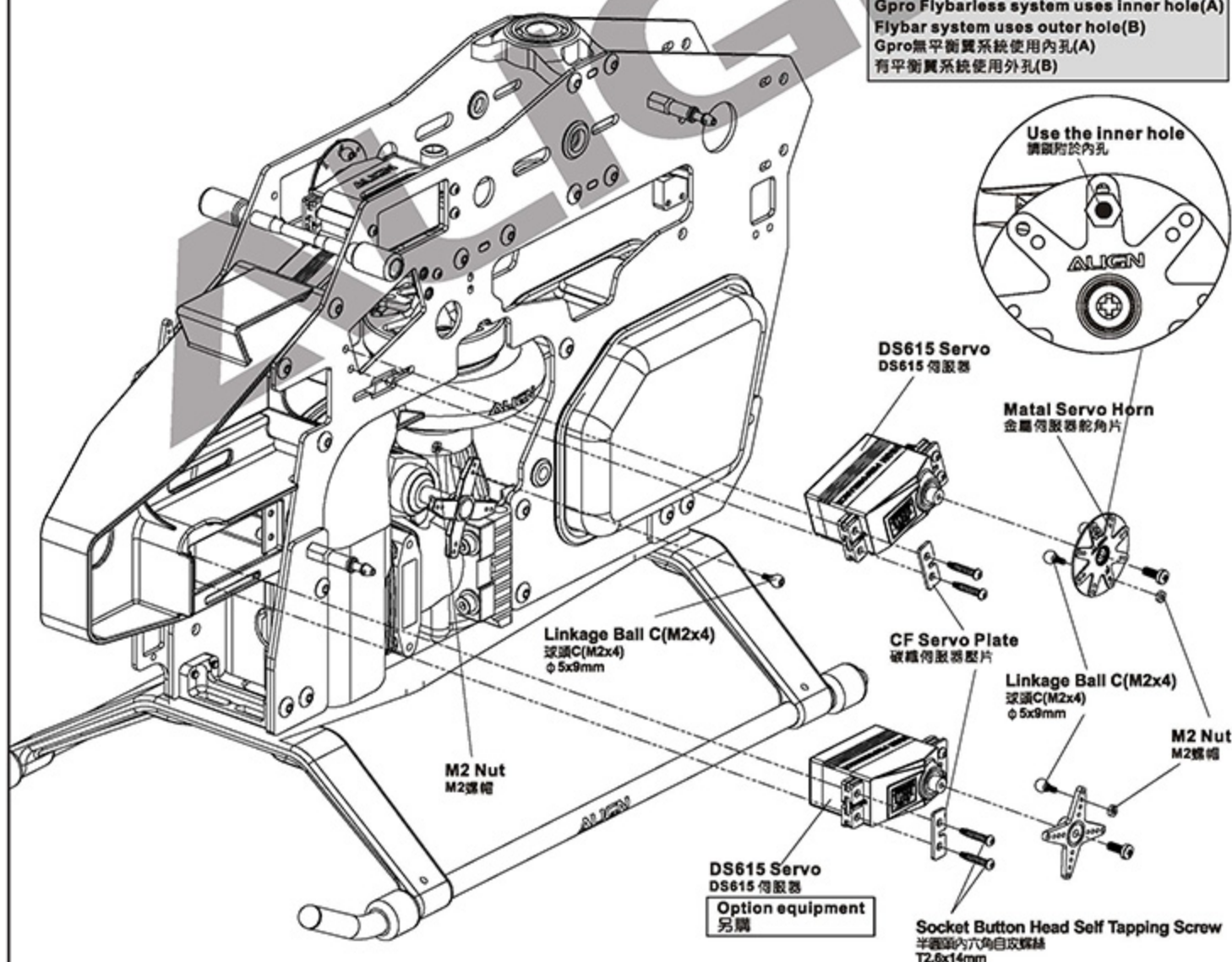
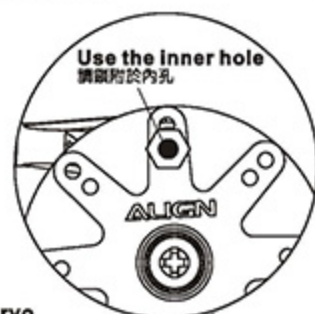
Apply a little amount of T43 thread lock when fixing a metal part.
 螺絲鎖附於金屬件請使用適量T43(螺絲膠)

-  **Linkage Ball C(M2x4)**
球頭C(M2x4)($\phi 5 \times 9 \text{mm}$) x 4
-  **Socket Button Head Self Tapping Screw**
半圓頭內六角自攻螺絲(T2.6x14mm) x 8
-  **M2 Nut**
M2螺帽 x 4



CAUTION
注意

Gpro Flybarless system uses inner hole(A)
 Flybar system uses outer hole(B)
 Gpro無平衡翼系統使用內孔(A)
 有平衡翼系統使用外孔(B)



700NB7



700NB7A



700NZ7A



700NZ7



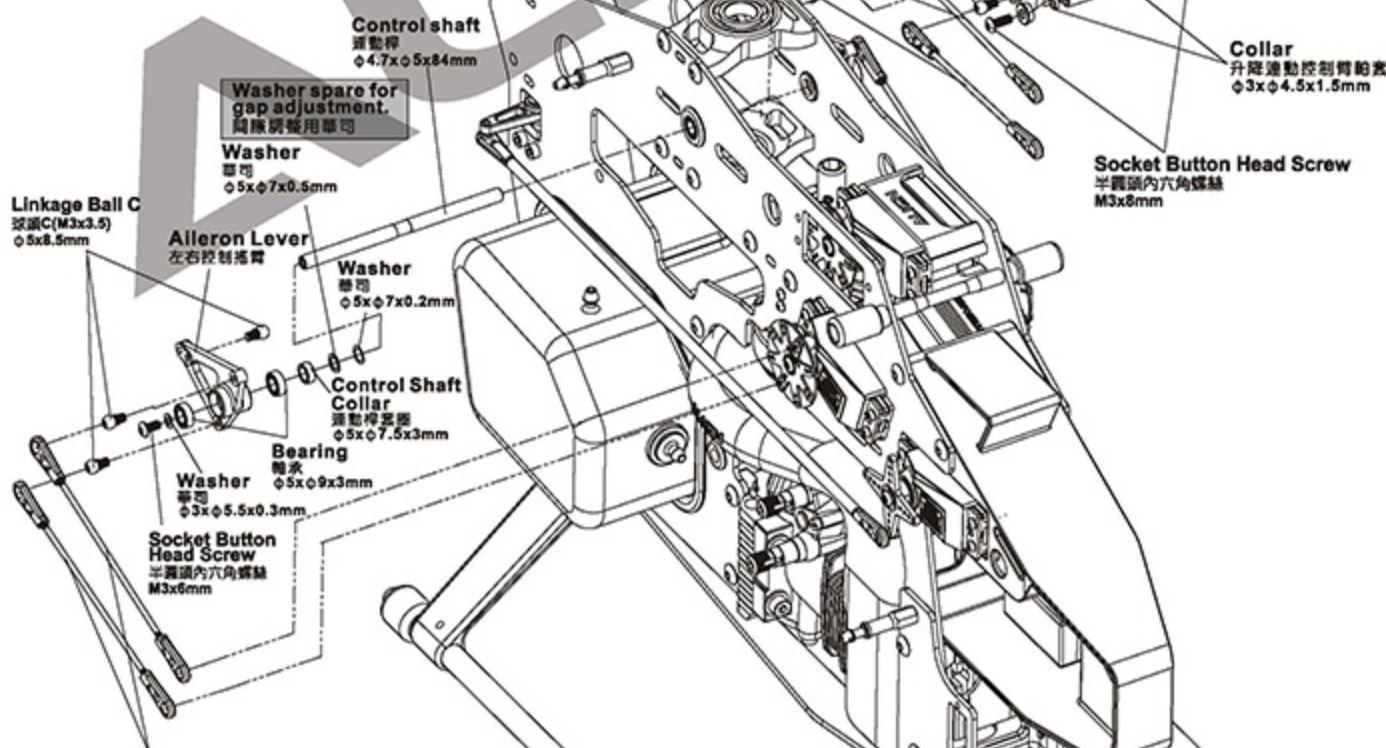
Apply a little amount of T43 thread lock when fixing a metal part.
螺絲鎖附於金屬件請使用適量 T43(螺絲膠)



Gpro Flybarless system uses inner hole(A)
Flybar system uses outer hole(B)
Gpro無平衡翼系統使用內孔(A)
有平衡翼系統使用外孔(B)



Please fasten the elevator ball link and screws all the way in.
升降臂連桿及螺絲請鎖緊。

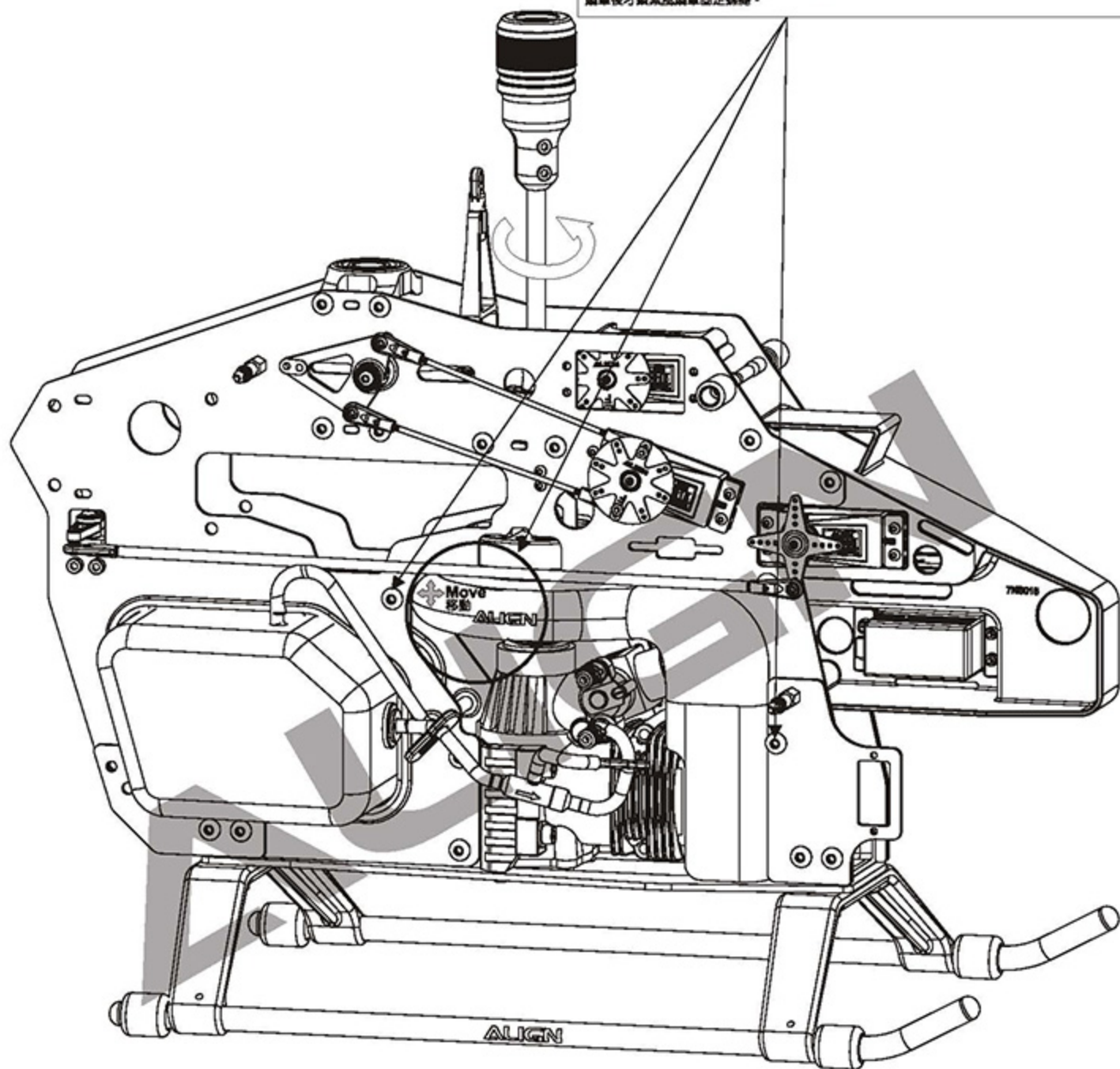
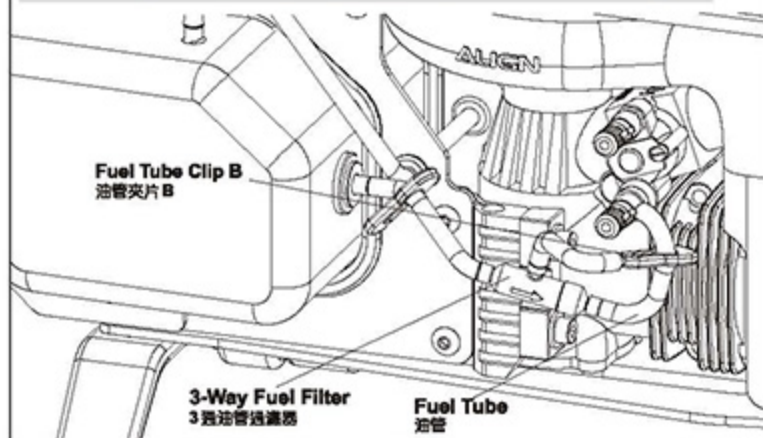
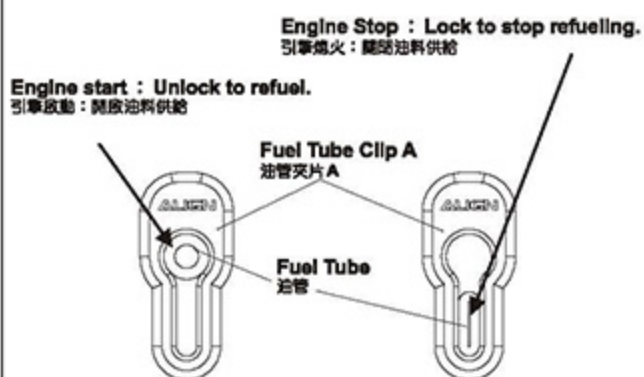


FAN COVER FIXING TIP

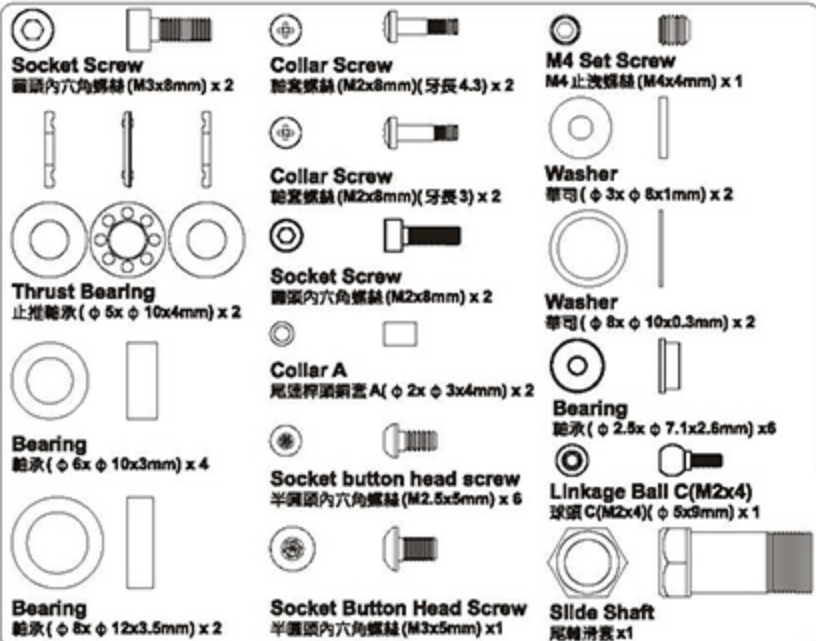
風扇罩固定要領

Before fixing the engine fan cover, please use a starter to rotate the fan and move the fan cover. This is to make sure no any interference, and then secure the fan cover with a fixing screw.

鎖緊固定引擎散熱風罩前，請先使用啟動桿轉動風扇，並移動風扇罩，確認在風扇無碰撞風罩後才鎖緊風扇罩固定螺絲。

**FUEL TUBE CLIP B ILLUSTRATION 油管夾片B使用說明****FUEL TUBE CLIP ILLUSTRATION 油管夾片使用方法**

700NT6



3K CF Tall Blade
3K 碳纖維旋翼

Socket Collar Screw
圓頭內六角軸套螺絲
M3x17mm

M3 Nut
M3 防鬆螺帽

Socket Collar Screw
圓頭內六角螺絲
M3x8mm



CAUTION
注意

Apply grease on thrust bearing.
止推軸承塗上潤滑油



(OUT) Smaller ID
內徑較小

(IN) larger ID
內徑較大

Tall Rotor Holder
尾旋翼夾座

Thrust Bearing
止推軸承

Washer
華司
φ 3x φ 8x1mm

Thrust Bearing
止推軸承
φ 5x φ 10x4mm

Washer
華司
φ 8x φ 10x0.3mm

Tall Rotor Holder
尾旋翼夾座

Bearing
軸承
φ 6x φ 10x3mm

Collar Screw
軸套螺絲 (牙長 4.3)
M2x8mm

Collar A
尾邊桿頭套 A
φ 2x φ 3x4mm

Control Link
尾控制連桿

Socket Screw
圓頭內六角螺絲
M2x8mm

T type Arm
尾 T 型控制臂

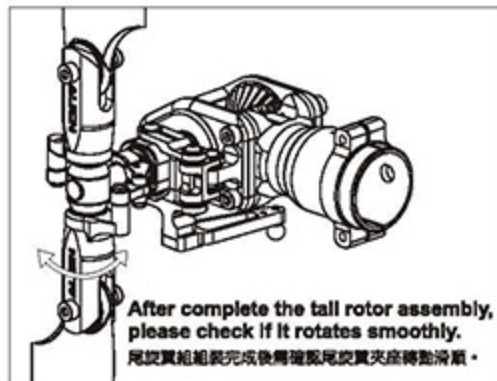
Tall Rotor Hub
尾旋翼 T 型座
φ 12x43.4mm

M4 Set Screw
M4 止洩螺絲
M4x4mm

Socket Collar Screw
圓頭內六角軸套螺絲
M3x17mm

M3 Nut
M3 防鬆螺帽

Please tighten M2x8 socket screw firmly but not over tightened. Over tighten the screw will cause the installation of tall rotor shaft unsmoothly.
裝附 M2x8 請使用適當力道，過度緊實會造成尾旋翼夾座轉動不順。



After complete the tall rotor assembly, please check if it rotates smoothly.
尾旋翼組裝完成後請確認尾旋翼夾座轉動滑順。

700NT21



Apply a little amount of T43 thread lock when fixing a metal part.
螺絲裝附金屬零件請使用適量 T43 (螺絲膠)



CAUTION
注意

While assembly the slide shaft, please use suitable amount of T43 on the thread. Please do not use R48 anaerobics retainer or other high strength glue to avoid damages while maintenance or repairs.
組立尾輪滑套時，請使用適量的 T43 螺絲膠在螺絲上，嚴禁使用 R48 高聚合性軸承膠防止膠合過緊，以避免日後拆修破壞零件之損傷。



CAUTION
注意

Aim tail rotor hub at the concave of tail rotor shaft and fix it, please apply a little glue on the set screw.
尾旋翼 T 型座請準尾旋翼的凹形位置裝上，請確認止洩螺絲上膠。

Socket Button Head Screw
半圓頭內六角螺絲
M2.5x5mm

Tail Pitch Bellcrank Mount
尾固定連桿座

Tail Pitch Bellcrank
尾控制工字臂

Collar
尾控制套螺絲

Bearing
軸承
φ 8x φ 12x3.5mm

Slide Shaft
尾輪滑套

T43

Bearing Holder
尾旋翼控制軸承套

Bearing
軸承
φ 2.5x φ 7.1x2.6mm

Socket Button Head Screw
半圓頭內六角螺絲
M2.5x5mm

Socket Button Head Screw
半圓頭內六角螺絲
M3x5mm

Linkage Ball C (M2x4)
球頭 C (M2x4)
φ 5x9mm

Assembling Umbrella Gear: Please note to push the gear to the end at a fixed position, to make sure the gears mesh with each other smooth.
傘齒組裝：注意務必推到底定位，以免齒咬合不順。



CAUTION
注意

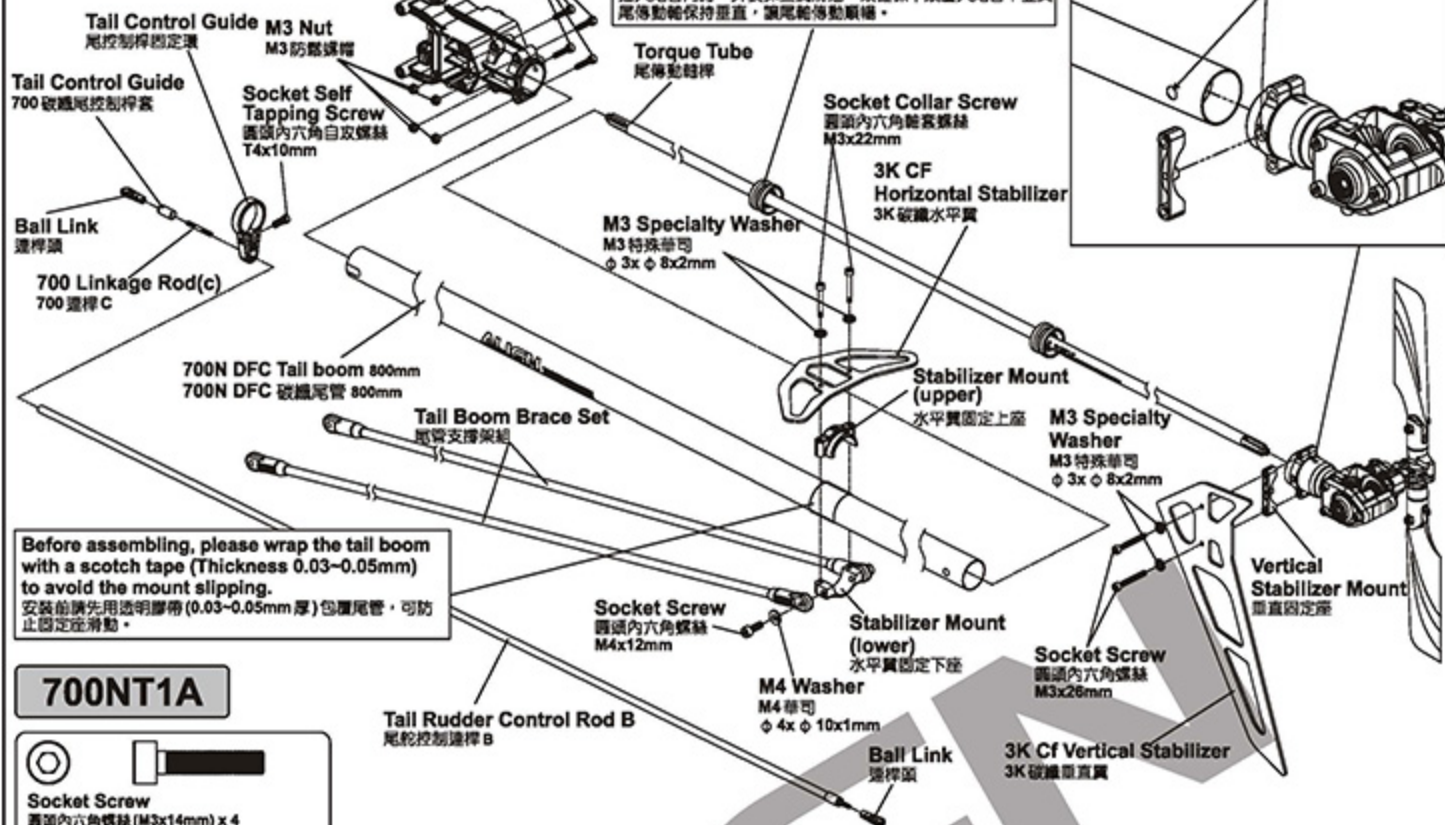
When tightening a linkage ball to a plastic part, please note to use a little CA glue and tighten it firmly, but not over tightened, or they will strip.
球頭裝入塑膠件時務必注意，使用少量 CA 膠並適當扭力鎖緊即可，而過緊的扭力可能會導致滑牙。

Already assembled by factory, please note to check again.
已組裝完成，請務必自行再確認。

Socket Screw
蓋頭內六角螺絲
M3x14mm

When assembling into the tail boom, please apply some oil on the surface, to make it smooth during the assembling and keep it vertical with the torque tube for smooth rotation.
插入尾管內的，外表抹些潤滑油，以確保平順壓入尾管中並與尾傳動軸保持垂直，讓尾輪轉動順暢。

When assembling the tail boom, please aim at the fixing hole $\phi 5.1$ 裝入尾管時請注意孔對準尾管 $\phi 5.1$ 固定孔



Before assembling, please wrap the tail boom with a scotch tape (Thickness 0.03-0.05mm) to avoid the mount slipping.
安裝前請先用透明膠帶(0.03-0.05mm厚)包覆尾管，可防止固定座滑動。

700NT1A



700NT2EA



700NT5



700NT2I

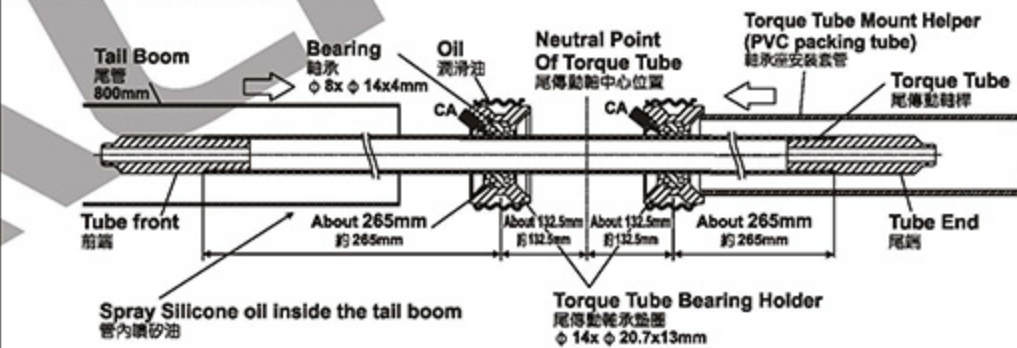


700NT6



TIP TO FIX THE TORQUE TUBE 傳動軸軸承固定位要領

Please apply some CA glue to fix bearing on the torque tube, avoid CA glue from the dust or may cause the bearing stuck. When assembling into the tail boom, please apply some oil and use the attached torque tube mount helper to press the bearing holder of the torque tube into the tail boom horizontally.
請以少量CA將軸承固定於尾傳動軸上，避免CA沾到軸承的防塵蓋而導致軸承卡死，插入尾管內時，尾傳動軸承蓋圈外表抹些潤滑油，利用隨附軸承安裝套管將尾傳動軸承蓋圈平行壓入尾管中不可歪斜。



CAUTION 注意

Skewed Torque tube bearing holder will interfere with torque tube rotation and cause unusual vibration.
尾傳動軸承安裝歪斜會造成傳動軸運轉不順及尾部異常震動等問題。

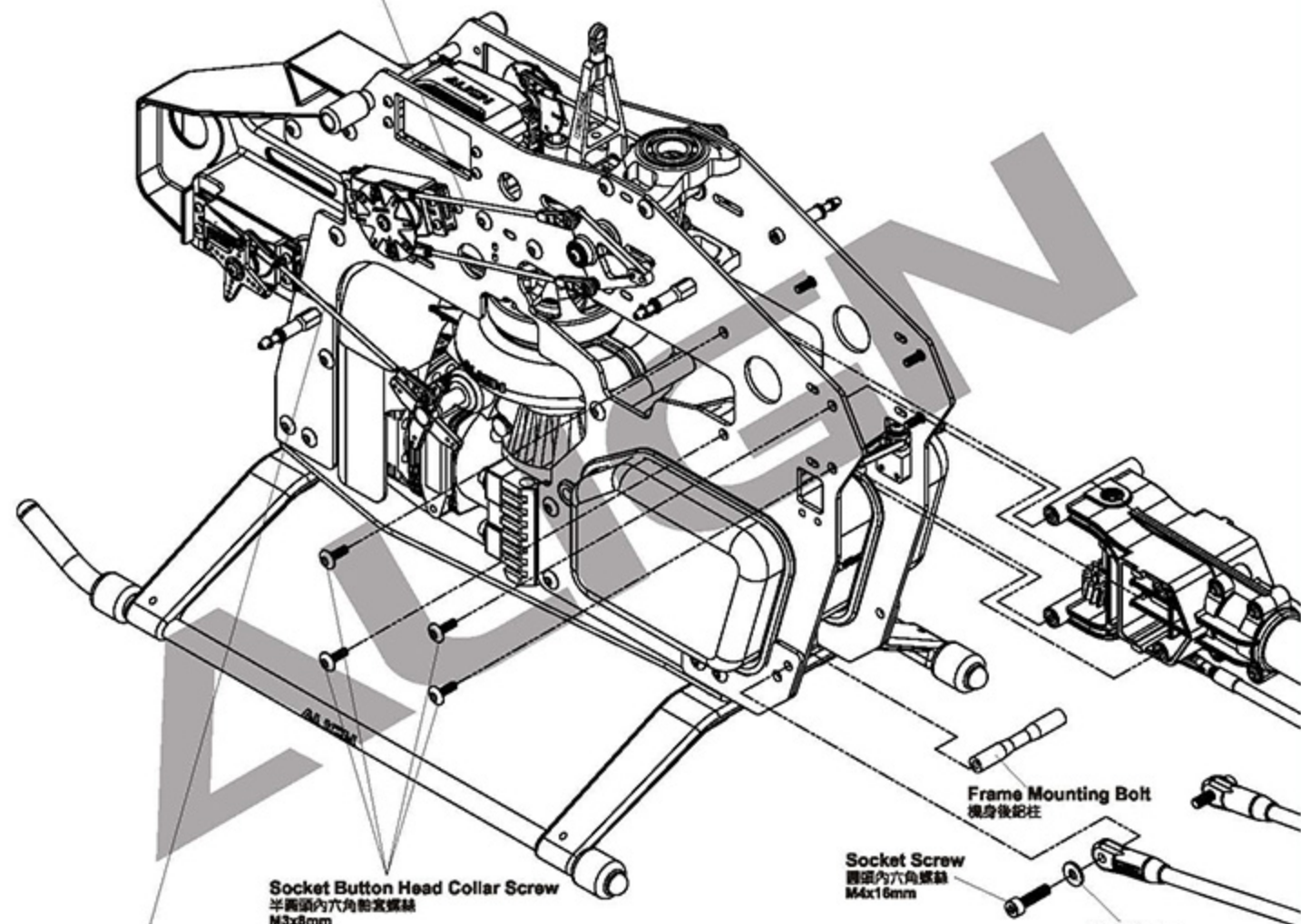
CAUTION 注意

After moving the tail control rod adjustment sleeve to recommended position, glue the sleeve to carbon tail control rod with instant glue.
尾控制桿固定環調整至建議位置後，再將尾控制桿固定環套與破磁尾控制桿接觸面以瞬間膠固定。

700NT1A**700NB7****700NZ7****700NZ7A**

Please assemble the F linkage rods inside the servo horns to avoid any interference caused by the canopy.
F 連桿請裝於何servo內側確保動作時不碰觸機頭蓋。

Apply a little amount of T43 thread lock when fixing a metal part.
螺絲鎖附於金屬件請使用適量 T43(螺絲膠)



Socket Button Head Collar Screw
半圓頭內六角軸寬螺絲
M3x8mm

Socket Screw
圓頭內六角螺絲
M4x16mm

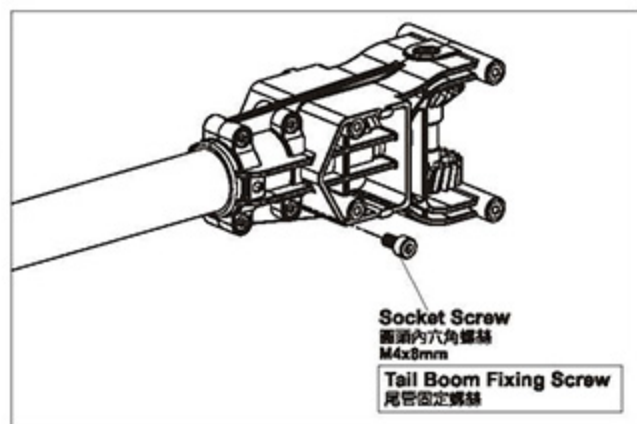
Frame Mounting Bolt
機身後部螺柱

M4 Washer
M4 華司
φ 4x φ 10x1mm

Throttle Linkage Rod
Approx. 108mm x 1
油門連桿約 108mm x 1



CAUTION
注意
When tightening a screw to a plastic part, please tighten it firmly, but not over tightened, or they will strip.
螺絲鎖入塑膠件務必注意，適當扭力鎖緊即可，而過緊的扭力可能會導致滑牙。



700FLH8A



M5 Nut
M5 防鬆螺帽 x 2



Socket Collar Screw
圓頭內六角軸套螺絲 (M5x32mm) x 2

When tightening the main blade fixing screw, please tighten it firmly, but not over tighten, or it may cause the damage of main blade holder and result in danger.
旋緊主旋翼螺絲時注意適當緊度即可，過緊可能導致主旋翼夾座受損，飛行意外發生。

700NZ7A



Elevator Ball Link
升降臂連桿頭 x 4



Collar
彈簧套
($\phi 6x \phi 4.85x3mm$) x 4

700NZ7



800E DFC Linkage Rod(b)
800E DFC 連桿 (B)(M3x47mm) x 2

700NH10



Main Shaft Spacer(1)
主軸墊片 (1)($\phi 12x \phi 16x1mm$) x 1



Spare Part:
Main Shaft Spacer(1.2)
備品：主軸墊片 (1.2)
($\phi 12x \phi 16x1.2mm$) x 1



Spare Part:
Main Shaft Spacer(0.8)
備品：主軸墊片 (0.8)
($\phi 12x \phi 16x0.8mm$) x 1



Spare Part:
Main Shaft Spacer(0.5)
備品：主軸墊片 (0.5)
($\phi 12x \phi 16x0.5mm$) x 1

Standard Equipment :
Main shaft spacer(1)
標準品：主軸墊片 (1)
 $\phi 12x \phi 16x1mm$

Spare part : Main shaft spacer(1.2)
Main shaft spacer(0.8)
Main shaft spacer(0.5)
備品：主軸墊片 (1.2) $\phi 12x \phi 16x1.2mm$
主軸墊片 (0.8) $\phi 12x \phi 16x0.8mm$
主軸墊片 (0.5) $\phi 12x \phi 16x0.5mm$

Socket Collar Screw
圓頭內六角軸套螺絲
M5x32mm

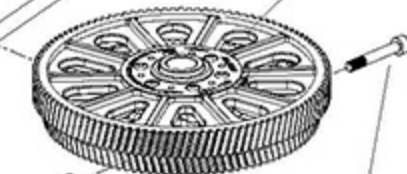
700 Carbon
Fiber Blades
700 碳纖維主旋翼

M5 Nut
M5 防鬆螺帽



DFC Linkage Rod(B)
Approx. 67.2mm x 2
DFC 連桿 (B) 約 67.2mm x 2

700 CNC
Main Drive Gear Set
700 CNC 新主齒輪



M4 Nut
M4 防鬆螺帽

Socket Screw
圓頭內六角軸套螺絲
M4x27mm

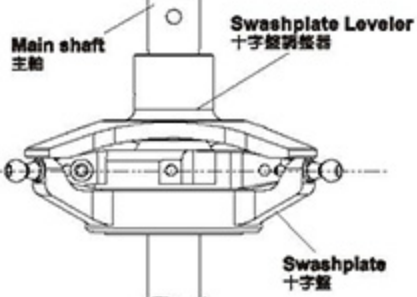
700NB9



M4 Nut
M4 防鬆螺帽 x 1



Socket Collar Screw
圓頭內六角軸套螺絲 (M4x27mm) x 1



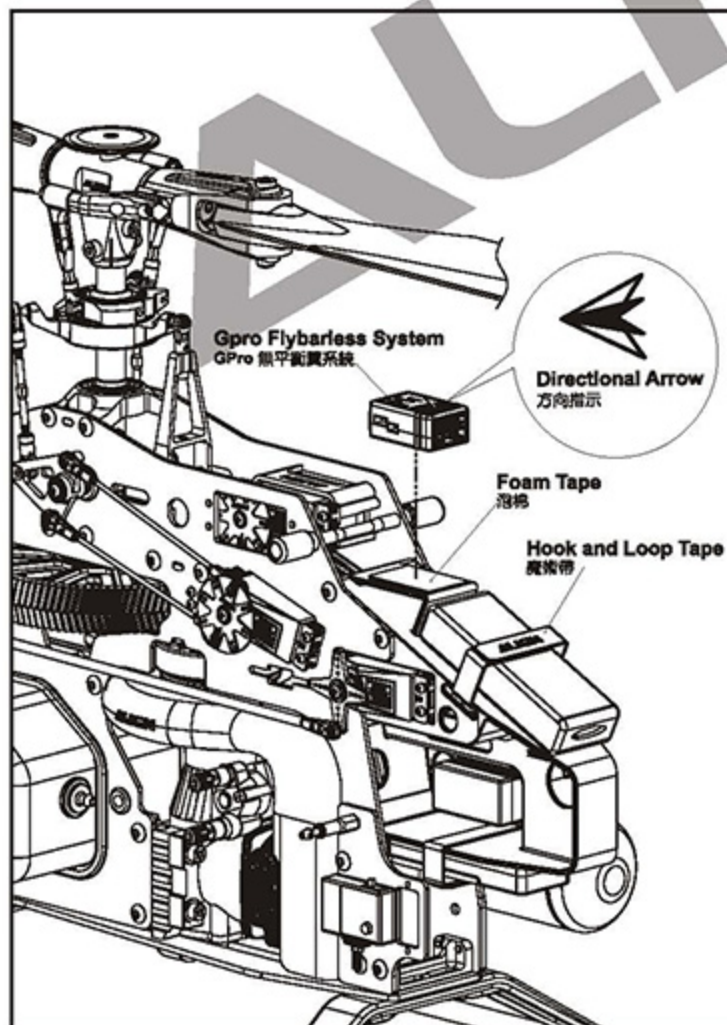
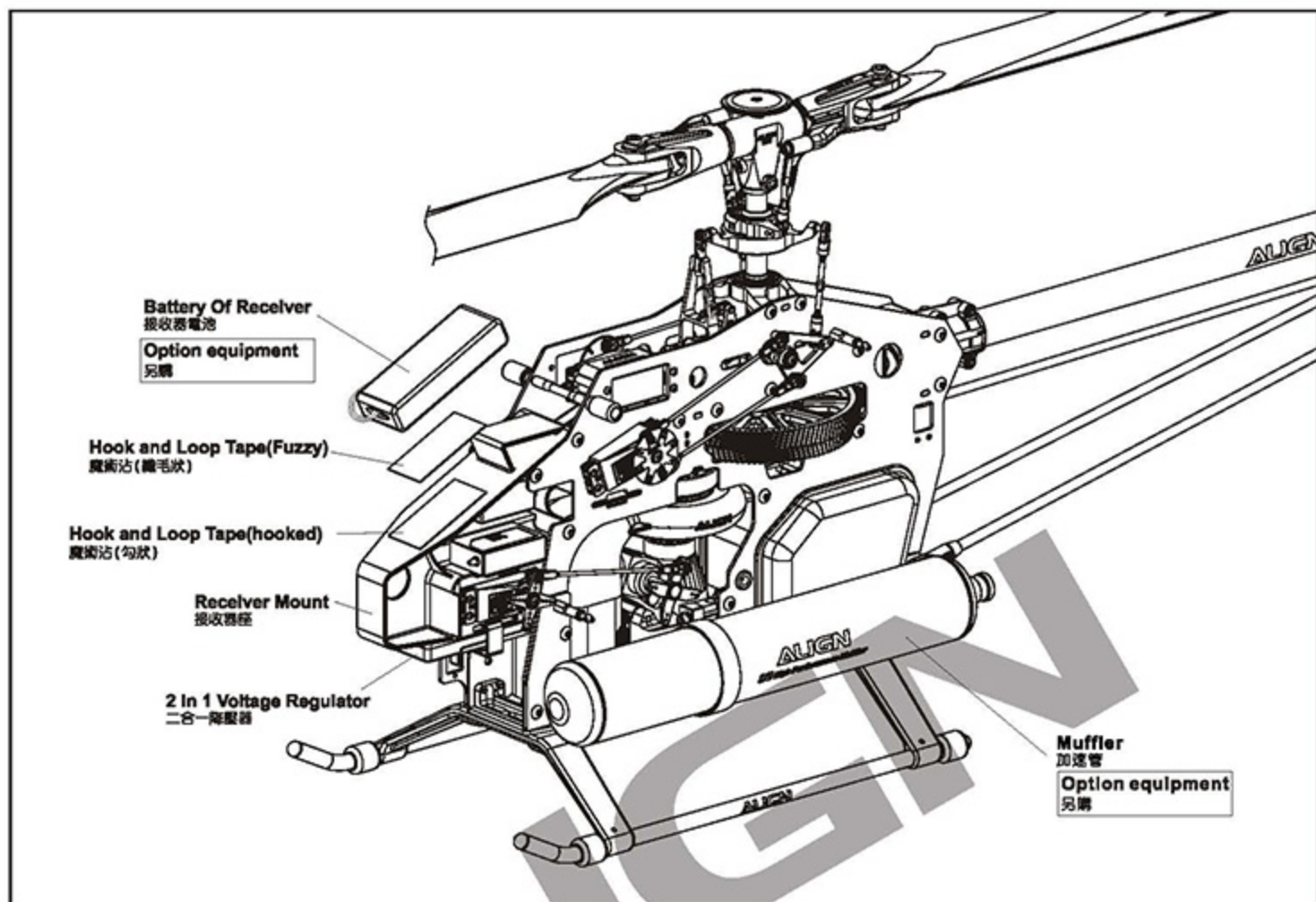
Horizontally Level
水平



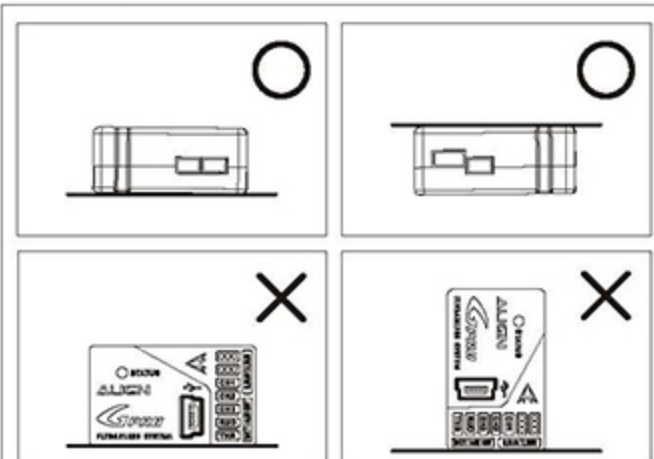
While using Gpro Flybarless system, please use the swashplate leveler to calibrate swashplate. Adjust the length of servo linkage rod to make sure the swashplate is leveled before start setting up Gpro to ensure Gpro provides the best performance.

使用 Gpro 無平衡系統，請務必使用十字盤調整器校正十字盤，調整伺服連桿長度，確保十字盤達到水平狀態，再進行 Gpro 基本機體設定，這樣才能確保 Gpro 飛行性能達到最佳效果。

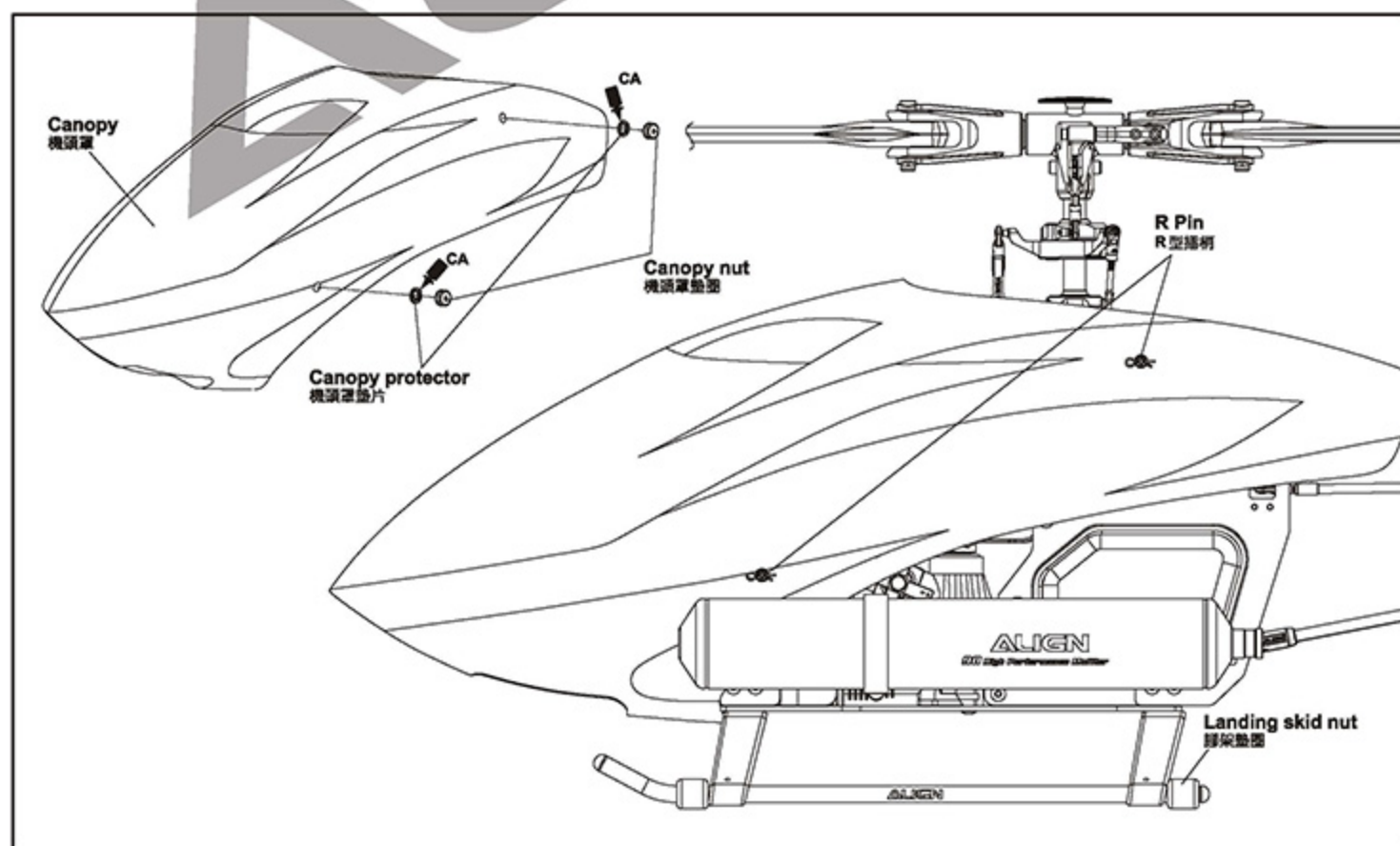
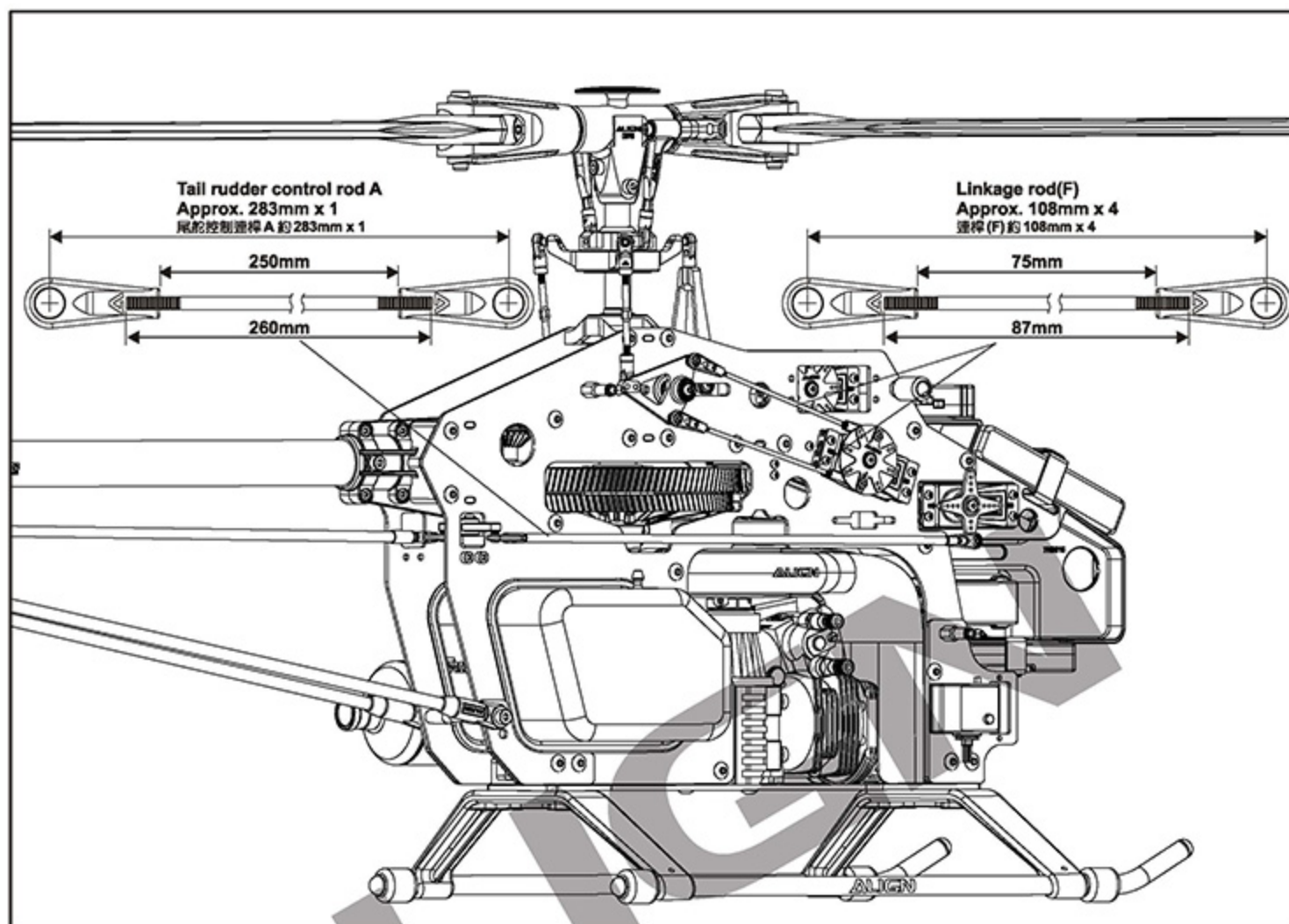
Apply a little amount of T43 thread lock when fixing a metal part.
螺絲鎖用於金屬件請使用適量 T43 (螺絲膠)

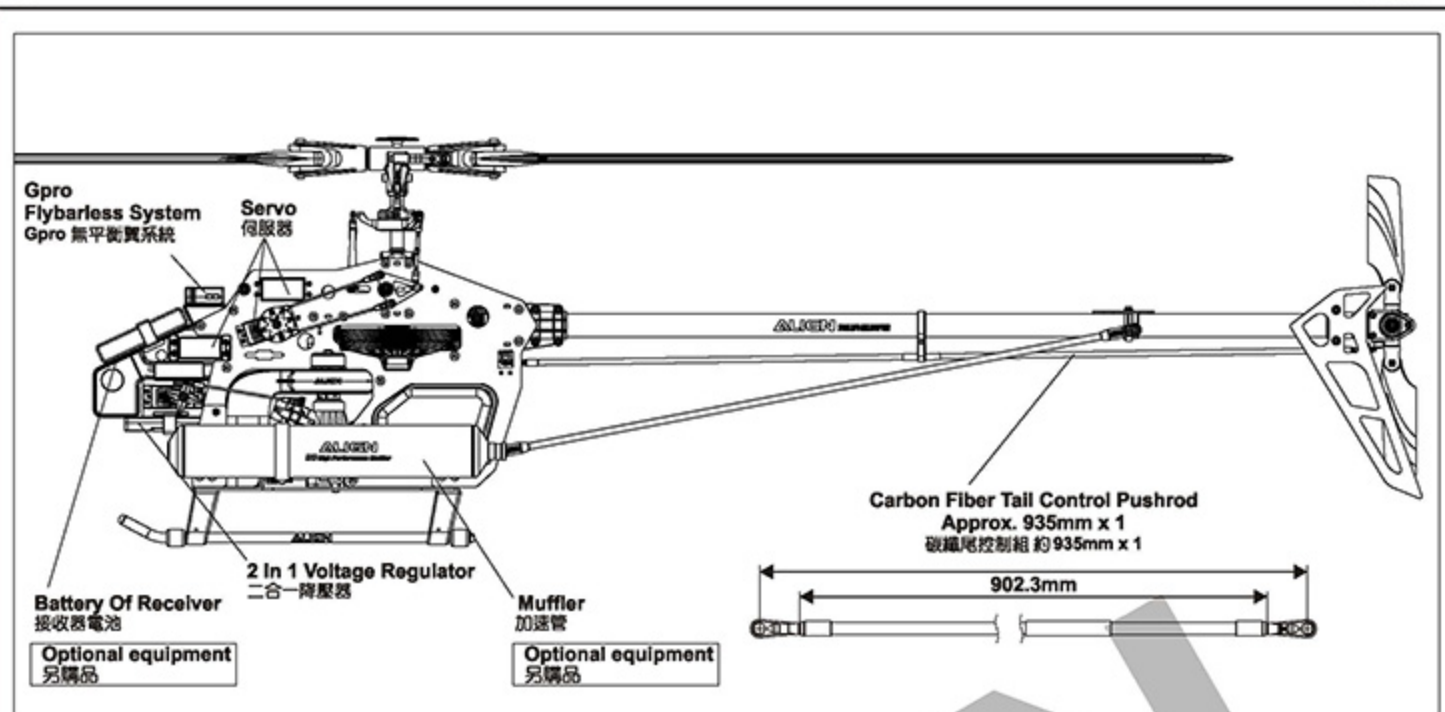


CAUTION
注意



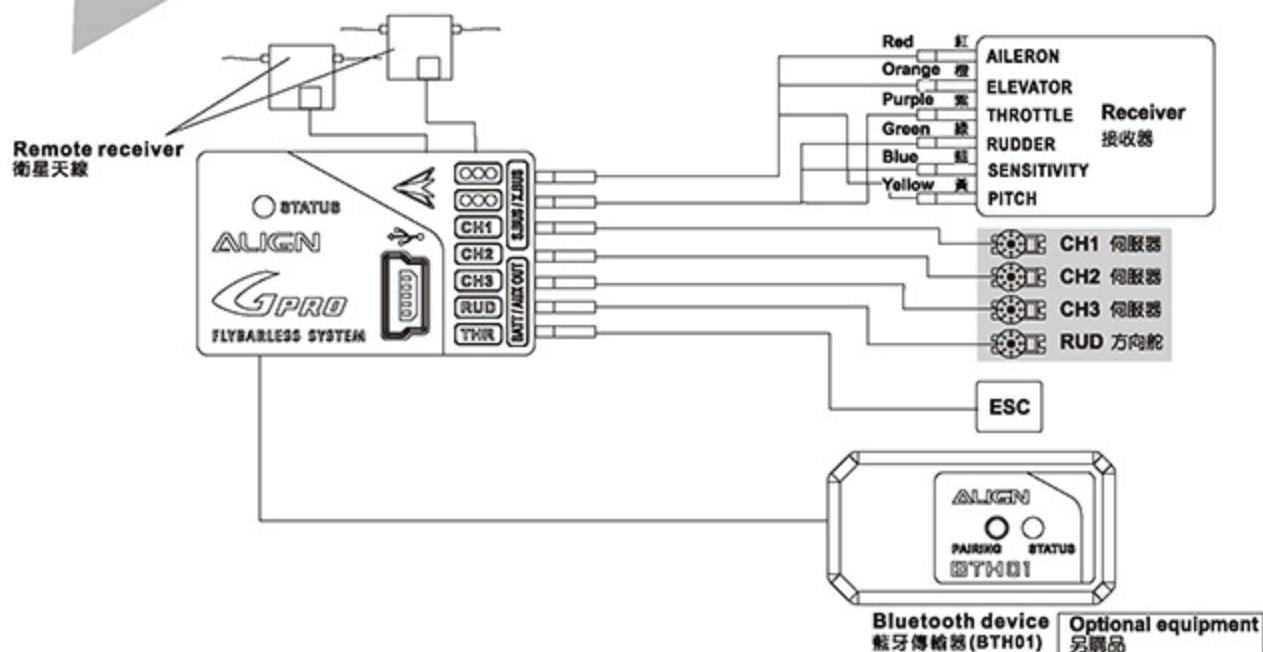
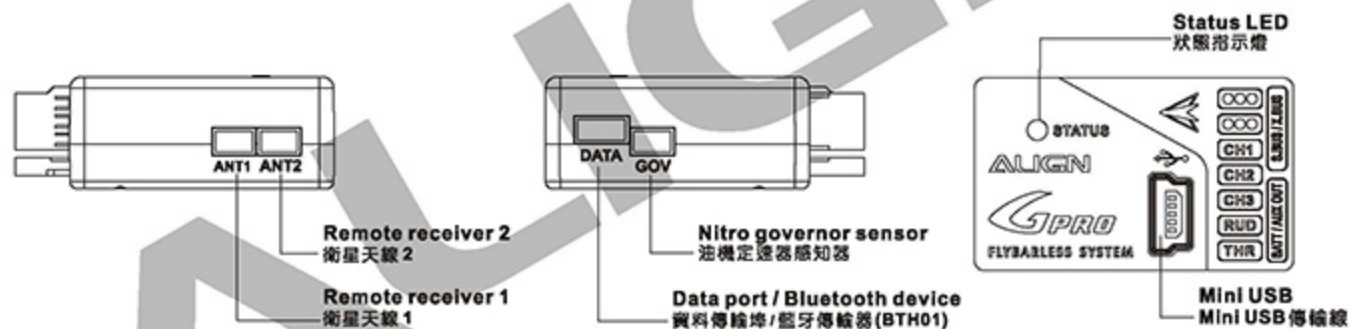
1. Consult the following diagram for Gpro installation direction, with arrow pointing toward nose or tail of helicopter. Gpro needs to be mounted flat on gyro mounting platform, away from vibration sources.
 2. Two pieces of foam mounting tape can be used if helicopter experiences vibration induced flight instability. However, if this still doesn't cure the problem, please check the helicopter mechanics and minimize mechanical vibrations, or reduce the headspeed.
 3. Please secure with genuine factory issued double sided anti-vibration mounting tape.
1. Gpro 擺放方向請參照圖示，方向指示箭頭指向機頭或機尾，水平擺放於陀螺儀固定座，並避開震動源。
 2. 機體震動會影響陀螺儀偵測，造成飛行不穩定，可於 Gpro 下方貼附 2 片泡棉減震，若仍未改善，請檢查機體排除震動或降低主旋翼轉速。
 3. 請使用原廠提供避震泡棉雙面膠固定。





PARTS IDENTIFICATION 各部位名稱

Gpro FLYBARLESS SYSTEM Gpro 無平衡翼系統



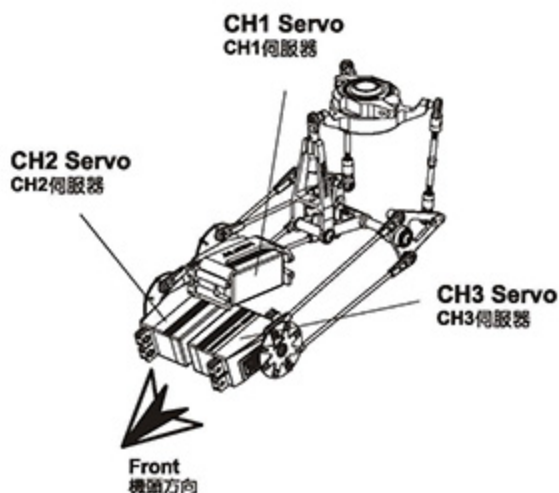
To set this option is to turn on the transmitter and connect to BEC power.

Note: For the safety, please do not connect ESC to the brushless motor before the setting in order to prevent any accident caused by the motor running during the setting.

此項設定只要開啟發射器，接上BEC電源即可進行操作。

注意：為了安全起見，設定前請先不要將無刷調速器與無刷馬達三條線接上，以免調整時啟動馬達而發生危險。

SERVO CONFIGURATION 伺服器配置



1. Following the servo configuration diagram on left, plug the servos to Gpro.
2. When setting up Gpro, select swashplate type H-3, 120 degrees CCPM in the PC interface as shown below. For more details please refer to page 22 in flybarless system manual.

1. 請依照左圖圖示的伺服器名稱，將伺服器接到Gpro。
2. 設定Gpro時，電腦設定介面的十字盤類型請選擇H-3，120度CCPM，如下圖所示。可參考P22頁無平衡系統使用說明。



12. ADJUSTMENTS FOR GYRO AND TAIL NEUTRAL SETTING 陀螺儀與尾翼中立點設定調整

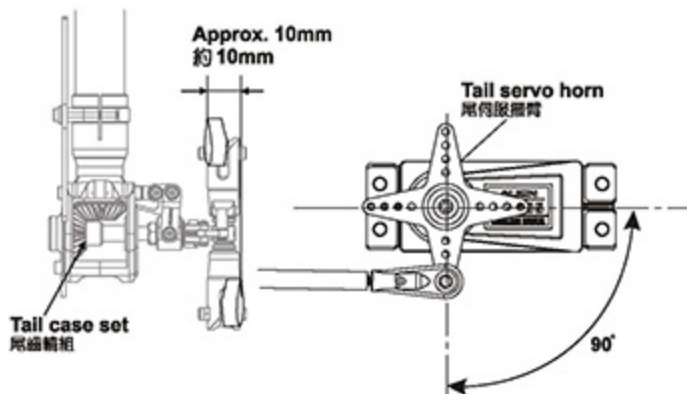
Turn off Revolution mixing (RVMX) mode on the transmitter, then set the gain switch on the transmitter and the gyro to non-Head lock mode, or disable gain completely. After setting the transmitter, connect the helicopter power and proceed with rudder neutral point setting. **Note:** When connecting to the helicopter power, please do not touch tail rudder stick and the helicopter, wait for 3 seconds for gyro to enable, and the rudder servo horn should be 90 degrees to the tail servo. Tail pitch slider should be half way on the tail output shaft. This will be the standard rudder neutral point. After completing this setting, set the gain switch back to heading lock mode, with gain at around 70%.

發射器內陀螺儀設定請關閉根輪混控模式，並將發射器上的感度開關與陀螺儀切至“非鎖定模式”或將陀螺儀感度關閉。發射器設定完成後接上直昇機電源，即可進行尾舵中立點設定。注意：當接上直昇機電源時請勿撥動尾舵搖桿或碰觸機體，待3秒陀螺儀開機完成後，尾舵伺服臂與尾舵伺服器約成90度，尾翼Pitch控制組須正確置於尾橫軸中間位置，即為標準尾舵中立點設定，設定完成後，切換至“鎖定模式”，感度設約70%左右。

TAIL NEUTRAL SETTING 尾中立點設定

After the gyro is enable and under non-Head lock mode, correct setting position of tail servo and tail pitch assembly is as photo. If the tail pitch assembly is not in the middle position, please adjust the length of rudder control rod to trim.

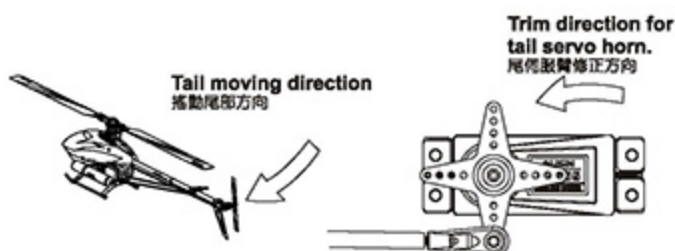
陀螺儀開機後，在非鎖定模式下，尾舵伺服器與尾Pitch控制組正確擺置位置。若尾Pitch控制組未置中時請調整尾控制連桿的長度來修正。



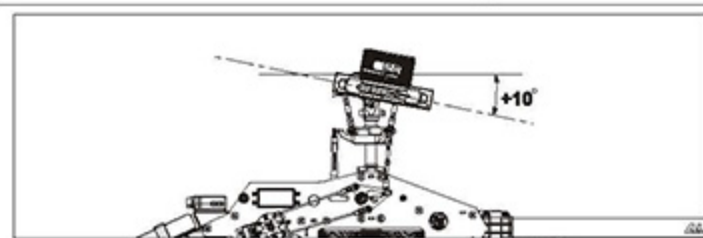
HEAD LOCK DIRECTION SETTING OF GYRO 陀螺儀鎖定方向設定

To check the head lock direction of gyro is to move the tail clockwise and the tail servo horn will be trimmed counterclockwise. If it trims in the reverse direction, please switch the gyro to "REVERSE".

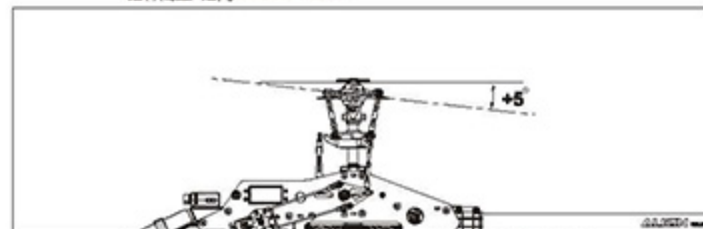
陀螺儀鎖定方向確認，當手搖尾節順時鐘擺動，尾舵伺服臂應反時鐘修正，反向時請切換陀螺儀上“鎖定反向”開關修正。



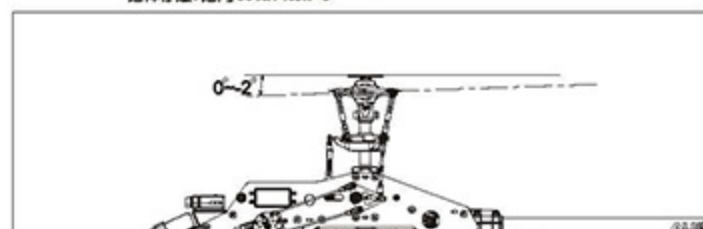
GENERAL FLIGHT 一般飛行模式



Stick position at high/Throttle 100%/Pitch+10°
搖桿高速/油門100%/Pitch+10°

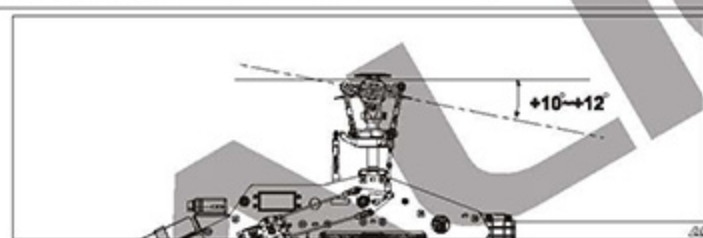


Stick position at Hovering/Throttle 60%/Pitch+5°
搖桿停懸/油門60%/Pitch+5°

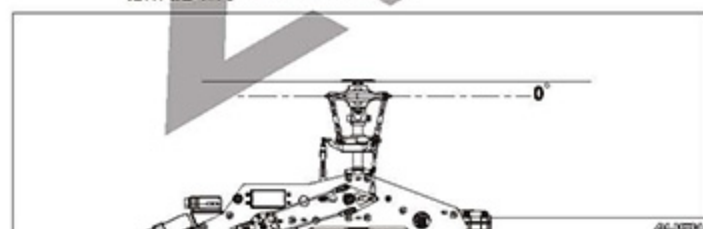


Stick position at low/Throttle 0%/Pitch0~-2°
搖桿低速/油門0%/Pitch0~-2°

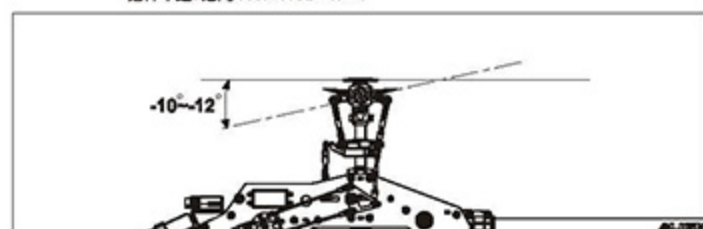
3D FLIGHT 3D特技飛行模式



Stick position at high/Throttle 100%/Pitch+10~+12°
搖桿高速/油門100%/Pitch+10~+12°



Stick position at middle/Throttle 60%~65%/Pitch 0°
搖桿中速/油門60%~65%/Pitch 0°



Stick position at low/Throttle 100%/Pitch-10~-12°
搖桿低速/油門100%/Pitch-10~-12°

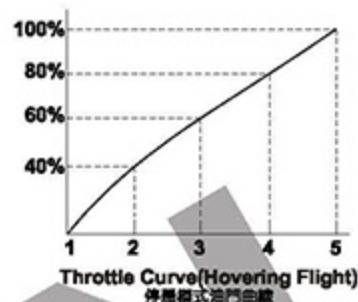


- 1.Pitch range : Approx ± 15 degrees.
2.Hint : Do not exceed ± 14 degrees pitch range. Doing so may cause motor overload and binding of certain head components.

- 1.螺距(Pitch)總行程約 ± 15°
2.建議:螺距設定勿超過 ± 14°, 過大螺距設定, 可能導致引擎過載及旋翼頭旋轉干涉。

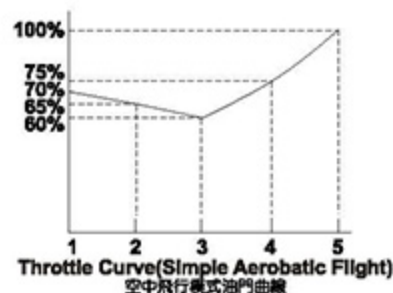
GENERAL FLIGHT 一般飛行模式

	Throttle 油門	Pitch 螺距
5	100% High speed 100% 高速	+10°
4	80%	
3	60% Hovering 60% 停懸	+5°
2	40%	
1	0% Low speed 0% 低速	0~-2°



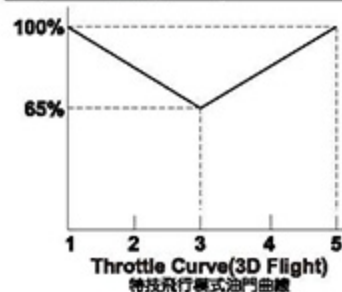
IDLE 1 : SPORT FLIGHT

	Throttle 油門	Pitch 螺距
5	100%	+10~+12°
4	75%	
3	60%	+5°
2	65%	
1	70%	-5°



IDLE 2 : 3D FLIGHT

	Throttle 油門	Pitch 螺距
5	100% High 100% 高	+10~+12°
3	60%~65% Middle 60%~65% 中	0°
1	100% Low 100% 低	-10~-12°



FEATURES 產品特色

- 3AxDs** 3-axis gyroscopic flybarless system to simulate the stability of mechanical flybar system, yet at the same time achieving agile 3D performance.
3軸陀螺儀無平衡翼系統，可模擬有平衡翼系統的穩定性，更有靈活的3D性能。
- MEMS** Utilizes MEMS gyro sensors, which feature small footprint, high reliability, and excellent stability.
採用MEMS (Micro Electro Mechanical Systems) 微機電系統技術感測器，具有體積小，可靠性高，穩定性佳的優點。
- 12bit** Sensor with 12 bit ultra high resolution, resulting in highly precise controls.
感測器12位元，超高解析度，控制細膩精準。
- CPU** Brand new CPU processes 20 times faster than previous generation.
CPU效能提升，速度提升20倍。
- Bluetooth** Utilizes with Bluetooth for phone setup adjust.
支援藍牙功能，可透過手機設定調整。
- iOS** Utilizes with iOS APP for instant adjustment
支援iOS手機app調整功能。
- Android** Utilizes with Android APP for instant adjustment
支援Android手機app調整功能。
- SPEKTRUM** Supports SPEKTRUM and JR satellite receivers.
支援SPEKTRUM與JR衛星天線。
- S.BUS** Supports Futaba S.Bus architecture.
支援Futaba S.BUS功能。
- X.BUS** Supports JR X.Bus architecture.
支援JR X.BUS功能。
- PC** Software upgradable through PC Interface adapter.
具備可升級程式化介面，可透過傳輸線更新軟體。
- Energy** Flybarless system dramatically improves 3D power output and efficiency, resulting in reduced fuel or electricity consumption.
無平衡翼系統，可大幅降低3D大動作飛行能量消耗，提供直昇機更大的動力輸出且更加節省燃油或電力。
- Stable** Highly sensitive gyroscopic sensors combined with advanced control detection routine providing higher hovering and aerobatic stability than other flybarless system.
高感度陀螺儀感測器及先進運路設計，可提供比一般平衡翼系統更佳的靜態及動態穩定性。
- CCPM** Suitable for all CCPM and mechanical mixing system.
適用於任何比例之對稱式三伺服器CCPM系統及傳統十字盤系統。
- GOV** Built in speed governor function.
內建油機定速器功能。
- T-REX** Comaptible with helicopter of all sizes from T-REX 250 to T-REX 800.
Gpro Flybarless電子設備相容小型直昇機至大型直昇機T-REX250~T-REX800。
- 3.5V-8.4V** Capable to operate between 3.5V to 8.4V, compatible with high voltage servos.
適用電壓3.5V~8.4V，支援高電壓伺服器。
- Small** Small footprint, light weight, minimalists and reliable design.
體積小、重量輕，構造簡單可靠，提供操控者高性能的飛行樂趣。

SETUP PRE-CHECK 設定前注意事項

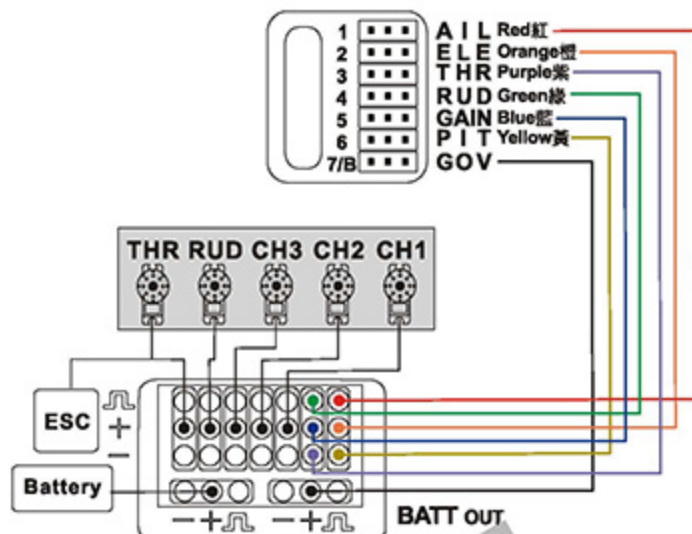
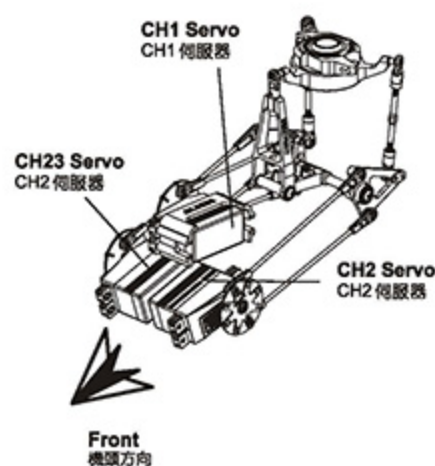


While using Gpro FBL system, be sure to turn off the following functions in the transmitter
使用Gpro系統若是遙控器有下列功能時請勿開啟功能

* Swash AFR * Linkage Compensation * Swash Mix * Mixing * Acceleration

1. Connect the receiver and servos to the Gpro Flybarless system unit as per diagram found on page 27 ~ 28 .
 2. Digital servos must be used on cyclic to avoid damage to servos.
Commended servo spec: minimum speed 0.08 sec/60 degrees, torque 12kg.cm or higher.
 3. Prior to first use, please enter setup program through helicopter's Hardware Setup menu, followed by parameter tuning in each tab, then concludes with flight parameter menu settings. Please ensure helicopter's hardware settings has been completed before making changes to flight parameters.
 4. Before entering setup mode, all trims on transmitter need to be zeroed. Do not adjust the trim tab while flying. If helicopter experiences drifting during hover, this is an indication that washplate was not leveled during setup. Should this occurs, please enter the flybarless system "swashplate settings" mode, adjust the level of swashplate, and then complete the setup again.
 5. Please unplug motor wires or activate throttle HOLD when performing Gpro configuration. After completing setup, remember to power Gpro back on.
 6. Please be sure to disconnect the USB cable and re-power your Gpro after connection with the desktop app, otherwise Bluetooth connection will fail.
1. 將接收器及伺服器依接線示意圖連接 (請參照第27~28頁)。
 2. 十字盤必須安裝數位伺服器，否則會造成伺服器損毀。建議規格：速度0.08秒/60度以內；扭力12kg.cm以上。
 3. 第一次安裝Gpro Flybarless無平衡翼系統時，請先進行"直昇機設定"，並選擇"建立全新設定"，且逐一確定完成所有直昇機設定。
 4. 進入設定前必須將遙控器的外微調歸零，飛行時不可調整外微調，若直昇機停懸時偏向某一邊移動，表示設定時十字盤未保持水平，請進入無平衡翼系統"十字盤調整設定"，調整或切換十字盤呈水平後，重新完成設定。
 5. 進行Gpro設定時，請拔除馬達線或切换到油門HOLD模式，才進行設定；設定完畢後，請重新開啟Gpro電源。
 6. 當Gpro與電腦連線時，Gpro會關閉藍牙連線功能，這是為避免使用者同時使用電腦與藍牙設定時，造成系統錯誤的保護措施。如果使用電腦設定後要馬上使用藍牙連線功能，請重新開啟Gpro電源，再進行藍牙設定。

METHOD 1: STANDARD RECEIVER CONNECTIVITY METHOD 方式一:傳統接收器接線法

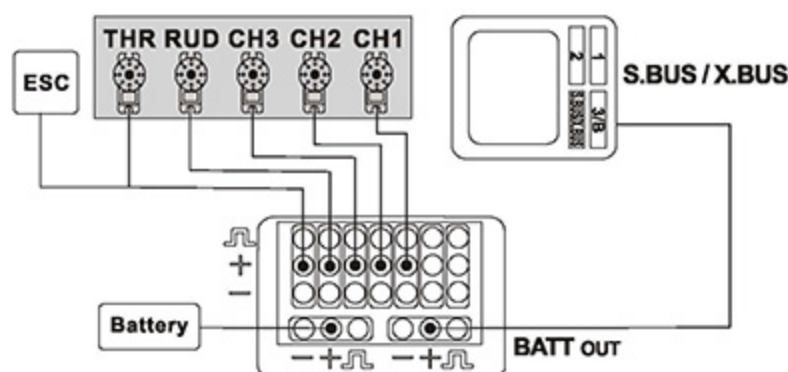
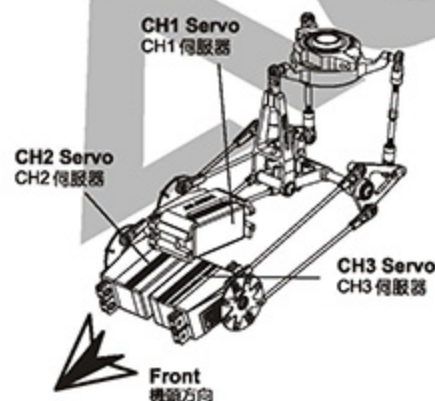


When connecting Gpro to the power supply, make sure the positive and negative electrode are correctly connected. If it's in opposite direction, the over current can cause serious damage to Gpro system.
連接電源時，請注意正負極方向，接錯方向會導致您的Gpro燒毀。

1. Connect all wires as shown in diagram. Receiver and Gpro wires are color coded to distinguish the different connection channels. Care should be taken to ensure proper wire color to channel connection.
2. While using the speed controller that not including BEC, you need to connect the BEC power with Gpro "BATT" port.
3. Receiver power is achieved by connecting the Gpro "S.BUS/X.BUS" port to the ch7 or BATT port on receiver using supplied signal wire.
4. To avoid damage to servos, only digital servos should be used for swashplate. Recommended spec: 0.08s/60 degrees or faster, with 12 Kg.cm or higher torque.
5. Gpro has built in nitro governor function which.

1. 請依照圖示進行接線，接收器與Gpro的接線使用不同的顏色來區分不同的通道，接線時請注意各顏色所對應的通道。
2. 使用無BEC輸出的調速器時，須額外由Gpro的"BATT"孔位接入BEC電源。
3. 接收器電源請以隨附的訊號線由Gpro的"S.BUS/X.BUS"孔位接至第七通道或BATT通道。
4. 十字盤必須安裝數位伺服器，否則會造成伺服器損毀。
建議規格：速度0.08秒/60度以內；扭力12kg.cm以上。
5. Gpro內建油機定速器功能。

METHOD 2: FUTABA S.BUS & JR X.BUS CONNECTIVITY METHOD 方式二:FUTABA S.BUS & JR X.BUS接線法

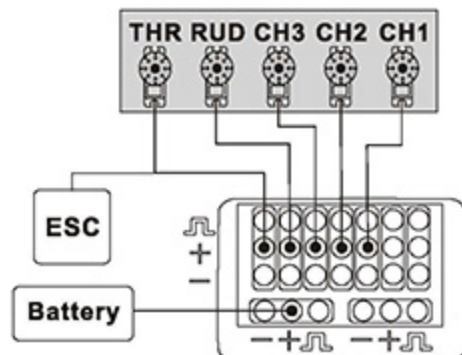
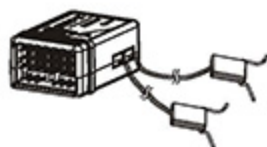
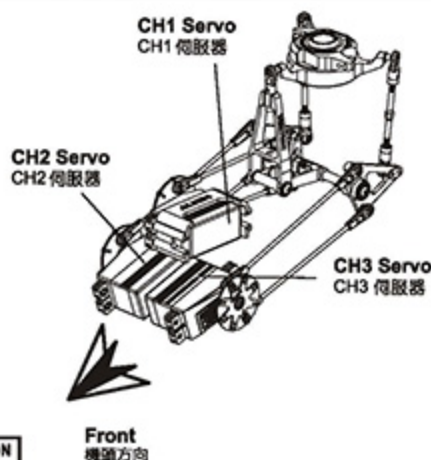


1. When connecting to JR X.BUS, please select X.BUS "MODE A" in transmitter.
2. When connecting Gpro to the power supply, make sure the positive and negative electrode are correctly connected. If it's in opposite direction, the over current can cause serious damage to Gpro system.
1. 使用JR X.BUS接線時，遙控器請選擇X.BUS"MODE A"模式。
2. 連接電源時，請注意正負極方向，接錯方向會導致您的Gpro燒毀。

1. For Futaba S.BUS and JR X.BUS receivers, connect wires as shown in diagram.
2. While using the speed controller that not including BEC, you need to connect the BEC power with Gpro "BATT" port.
3. Receiver power is supplied through S.BUS/X.BUS signal wire connected to Gpro's "S.BUS/X.BUS" port.
4. To avoid damage to servos, only digital servos should be used for swashplate. Recommended spec: 0.08s/60 degrees or faster, with 12Kg.cm or higher torque.
5. Gpro has built in nitro governor function which.

1. 具備S.BUS功能的Futaba接收器，請依照圖示進行接線。
2. 使用無BEC輸出的調速器時，須額外由Gpro的"BATT"孔位接入BEC電源。
3. 接收器電源共同由S.BUS/ X.BUS訊號線接至Gpro的"S.BUS/ X.BUS"孔位。
4. 十字盤必須安裝數位伺服器，否則會造成伺服器損毀。
建議規格：速度0.08秒/60度以內；扭力12kg.cm以上。
5. Gpro內建油機定速器功能。

METHOD 3: JR / SPEKTRUM SATELLITE CONNECTIVITY METHOD 方式三:JR / SPEKTRUM衛星天線接線法



Front
機頭方向

1. When binding, do not mix satellite receivers of different makes.
2. Incompatibility with future models of satellite receivers will be resolved through firmware updates.
3. When connecting Gpro to the power supply, make sure the positive and negative electrode are correctly connected. If it's in opposite direction, the over current can cause serious damage to Gpro system.

1. 不同廠牌的衛星天線請勿交叉對頻。
2. 如有新型號衛星天線產生不相容情形，將以韌體更新方式解決。
3. 連接電源時，請注意正負極方向，接錯方向會導致您的Gpro燒毀。

1. For JR or SPEKTRUM satellite receivers, connect wires as shown in diagram.
2. While using the speed controller that not including BEC, you need to connect the BEC power with Gpro "BATT" port.
3. To avoid damage to servos, only digital servos should be used for swashplate. Recommended spec: 0.08s/60 degrees or faster, with 12Kg.cm or higher torque.
4. Gpro has built in nitro governor function which.
5. For radios with less than 6 channels, channel 5/GEAR is used for rudder gyro gain. Speed governor cannot be used. For safety concern, two satellite receivers should be used, with each antenna perpendicular (90 degrees) from each other. A satellite receiver should be installed on each side of the frame, separate by minimum distance of 5cm.

1. 請依照圖示進行接線，Gpro支援SPEKTRUM與JR系統衛星天線。
2. 使用無BEC輸出的調速器時，須額外由Gpro的"BATT"孔位接入BEC電源。
3. 十字盤必須安裝數位伺服器，否則會造成伺服器損毀。
建議規格：速度0.08秒/60度以內；扭力12kg.cm以上。
4. Gpro內建定速器功能。
5. 為安全起見，請盡量安裝兩個衛星天線，兩個衛星天線角度除必須呈90度之外，且須安裝於機身兩側，相隔至少5公分以上。

BINDING PROCEDURE 對頻方式

Binding : (Hold last command)

對頻：(保留最後指令)

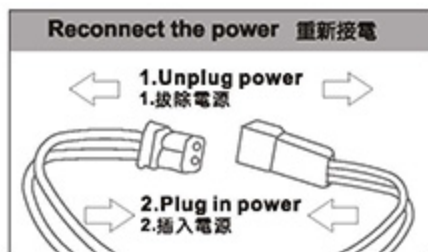
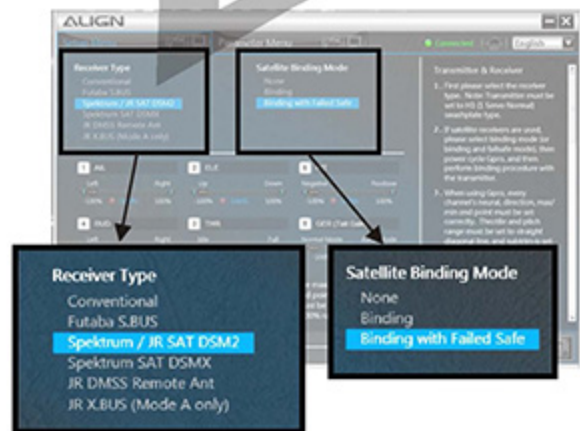
Binding with Failsafe : (Go to preset position)

對頻與失控保護：(回復預設值)

Step 1: Connect power to Gpro, select the satellite receiver type and failsafe type.

Step 2: Re-connect power to Gpro, satellite receiver's LED will blink, indicating entering binding mode.

- 步驟1.將Gpro接上電源，選擇所使用的衛星天線及失控保護方式。
步驟2.將Gpro重新接電，此時衛星天線LED燈會開始閃爍進入對頻狀態。



Please disconnect motor wires during binding to prevent dangerous unforeseen circumstances.
對頻時請拔除馬達線，以免發生不可預期之危險

- Step 3: Activate binding mode on your transmitter. Receiver LED will remain lit indicating successful binding.**
Note: In binding with failsafe mode, receiver's LED will go from fast blink to off immediately after successful binding, followed by slow blinks. Move the transmitter sticks to desired position to set the failsafe position, which will be confirmed with steady lit of LED after 5 seconds.

- 步驟3.將遙控器開啟對頻模式，對頻完成衛星天線LED燈會恆亮。
註：如果選擇"對頻與失控保護"，遙控器對頻完成瞬間，衛星天線上LED會由快速閃爍狀態熄滅，之後再亮起改為慢速閃爍；在慢速閃爍狀態時，將遙控器上的所有搖桿放置於您所需要的預設安全位置，5秒後LED燈會恆亮，完成對頻。



1. Please unplug motor wires or activate throttle HOLD when performing Gpro configuration.
 2. Compatible with helicopter of all sizes from T-REX 250 to T-REX 800 Gpro Flybarless.
1. 進行Gpro設定時，請拔掉馬達線或切到油門HOLD模式，設定完畢後再重新開啟Gpro電源。
2. Gpro Flybarless電子設備相容小型直昇機至大型直昇機T-REX 250~T-REX800。

1. SELECT H-1 SWASHPLATE TYPE 遙控選擇 H-1 十字盤類型

When using Gpro, transmitter must be set to H1 (1-servo-normal) traditional swashplate. Incorrect swashplate setting will cause setup problem and prevent helicopter from flying.

使用Gpro遙控器必須選擇 H-1 (1-servo-normal) 傳統十字盤。如果十字盤類型設定錯誤，會造成無法設定且動作不正確無法飛行。



PARAMETER	(1/3)
RESET	Execute
TYPE	HELICOPTER
SWASH	Pure
RX	S-FHSS
ALT	ON
	(1/2/6)

2. PC SOFTWARE INSTALL 電腦安裝軟體

Please go to <http://www.align.com.tw/Gpro/> to download and install Gpro PC software.

下載安裝Gpro電腦軟體請至下列網址下載安裝<http://www.align.com.tw/Gpro/>

Note: If you cannot setup the Gpro Windows version, please check whether you have installed the Microsoft .NET Framework 4.

<http://www.microsoft.com/en-US/download/details.aspx?id=17851>

註：無法安裝Gpro Windows版本時，請檢查電腦是否有安裝Microsoft .NET Framework 4。
<http://www.microsoft.com/zh-TW/download/details.aspx?id=17851>

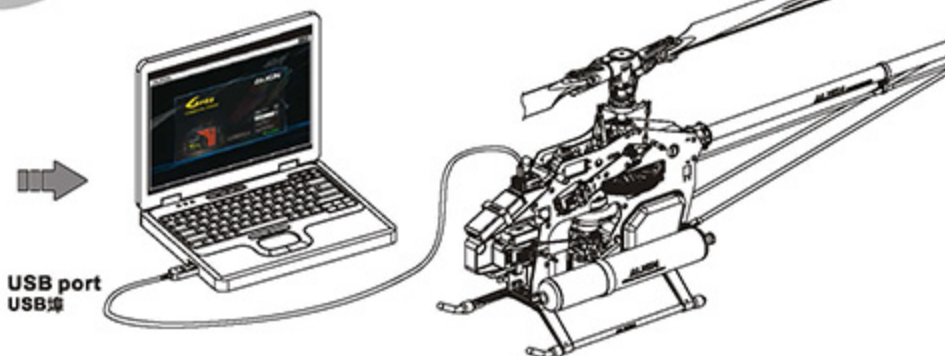


3. LAUNCH THE PC SOFTWARE AND CONNECT TO Gpro 開啟電腦軟體並與Gpro連線

STEP 1: LAUNCH PC SOFTWARE

步驟1：開啓電腦軟體

After software is installed, double click Gpro software and proceed to connect your Gpro with mini USB cable.
軟體安裝完畢後，開啟Gpro軟體將mini USB線連結您的Gpro。



STEP 2: POWER ON YOUR TRANSMITTER AND RECEIVER

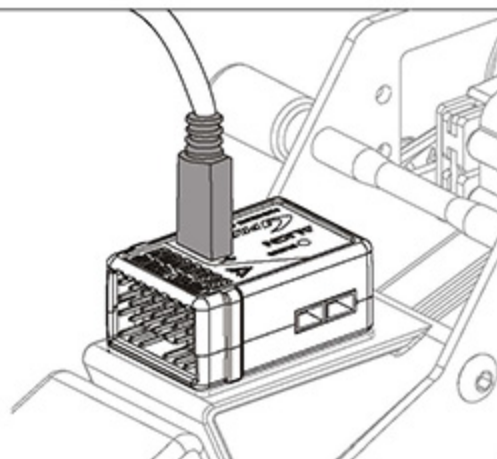
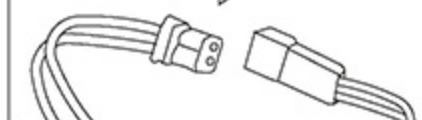
步驟2：開啓遙控器與接收器電源



Power ON
電源開啓

Connect the power 接上電源

BATT → ESC



STEP3 :

步驟3 :

PC interface will display connection status.

電腦介面顯示連線狀況，連線成功會顯示已連線。



Reset Bluetooth PW

Password Setting
設定藍牙密碼

When using smartphone app to make configuration changes, a Bluetooth password must be set for pairing with the smartphone. The factory default password is "0000". We strongly recommend you to change your password to avoid interference with others while Bluetooth transmission. 使用手機軟體介面(app)調整時，須設定藍牙連線密碼，提供手機連線時使用。預設密碼為"0000"，強力建議使用者先更改密碼後再使用，以免對其他藍牙裝置造成干擾。

Connected

Connection Status
連線狀態

Note: if connection failed, please check proper connectivity to Gpro, and that Gpro is powered up.

註：如果顯示未連線，請檢查Gpro接線是否正確，Gpro是否有電源輸入。

4. HELICOPTER HARDWARE CONNECTION 直昇機硬體設定

STEP1 :

步驟1 :

a. Select "Setup Menu" to enter helicopter hardware configuration

a. 點選"直昇機設定"進入機體的硬體設定



English

Please select language.
選擇您所使用的語言

Setup Menu

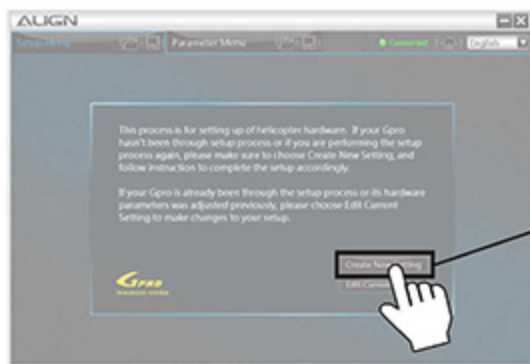
Setup menu
直昇機設定

b. Select "Create New Settings" to wipe our previous settings, and perform the setting from scratch.

1. New helicopters that have not been setup before, please select "Create New Settings" and perform the complete setup procedure.
2. After initial setting of the Gpro, user can select "Edit Current Settings" to make adjustment changes.

b. 點選"建立全新設定"，選擇此項目將Gpro清除重置所有設定，進行新的直昇機設定。

1. 新的直昇機未經過設定前，務必選擇"建立全新設定"按順序從頭完整的設定一遍。
2. Gpro有完整設定完畢後，玩家可選擇"修改現有設定"，調整Gpro設定。



There are 7 settings for helicopter configuration. Press "Next" after completing each and every of the 7 settings.

直昇機設定共有7頁設定，每完成一頁設定請按"Next"接續設定，每項設定須逐一確實完成。

STEP 2 : RC TRANSMITTER AND RECEIVER

步驟2：遙控器與接收器

a. First please select the receiver type.

Note: Transmitter must be set to H-1 (1-Servo-Normal) swashplate type. Please refer to page 28 for binding instruction if satellite receivers are used.

a. 請先選擇所使用接收器類型。

注意：遙控器務必設定為 H-1 (1-Servo-Normal) 傳統十字盤模式。如果您是使用衛星天線，請參考 28 頁說明進行對頻。



Note: Entering Gpro helicopter setting, Gpro will depend on the configuration requirements, lock or unlock the helicopter movements. Each icon in the bottom right of the computer interface, represents each helicopter movement, if the icon is illuminated display, it means that you can set to open operation.

註：進入 Gpro 直升機設定，Gpro 會依不同設定需求，鎖定或開啟直升機動作。電腦介面右下方各動作圖示，即表示直升機各個動作，如果該動作圖示為亮燈顯示，即表示該設定頁面此動作可以開啟運作。

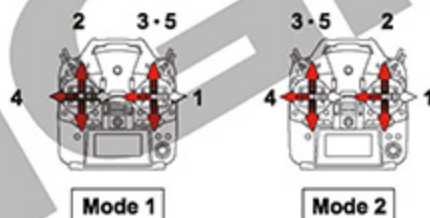
b. Movements on the transmitter such as aileron, elevator, collective pitch, etc, must match synchronously with the display on PC interface. Using the diagram below as example, if moving aileron stick does not result in any movement of aileron channel inside PC interface, change the channel number on the upper left corner of aileron so that channel matches between transmitter and PC interface.

b. 遙控器之各動作，如副翼、升降、集體螺距等等，必須與電腦界面上的頻道顯示一致。以下圖為例，若撥動副翼搖桿時，如果電腦界面上副翼頻道沒有反應，此時，可以更改副翼桿左上角的頻道號碼，來讓遙控器與電腦介面的頻道正確對應。



Do not allow repetitive numbers when adjusting channel number, otherwise Gpro will not function properly.

調整頻道號碼時，不得有重複號碼同時顯示，否則會造成 Gpro 運作錯誤。



Move the aileron stick, PC interface should display corresponding control movements. Perform this check on all channels.

撥動副翼搖桿，電腦界面上副翼頻道必須有正確輸出反應。同理檢查其他頻道。



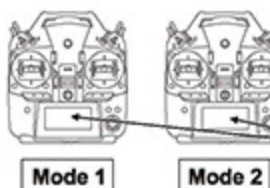
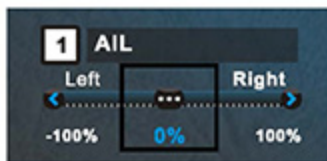
Note: When using Gpro, every channel's neutral, direction, max/min end point must be set correctly. Throttle and pitch range must be set to straight diagonal line, and subtrim is set to 0 degrees. Using transmitter stick, channel direction, subtrim, and servo end point functions (EPA / Travel Adj), perform each channel's setting and adjustments.

註：使用 Gpro，遙控器各個頻道中立點、方向與最大最小行程，必須確保設置正確。注意：設定此項目時，要確認油門與螺距曲線為預設斜直線，並檢查遙控器微調是否為 0 度。利用遙控器搖桿、頻道正反向內微調與伺服器行程 (EPA、Travel ADJ) 功能，進行各頻道的設定與校正。

c. Center the transmitter stick. At this point the aileron and elevator neutral point must be 0. If it's not 0, adjust using transmitter's subtrim function until 0 is achieved.

c. 將搖桿置中，此時副翼、升降舵中立點必須為 0，如果中立點不為 0 時，請利用遙控器內微調功能將中立點調整為 0。

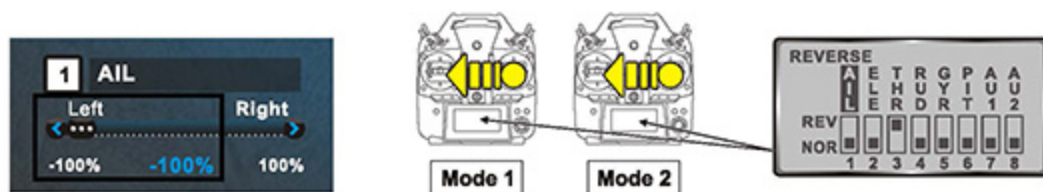
**Center transmitter sticks.
遙控器搖桿置中**



SUB TRIM	1: AIL	0
	2: ELE	0
	3: THR	0
	4: RUD	0
	5: GYR	0
	6: PIT	0
	7: AU1	0
	8: AU2	0
CH1: PIT		0

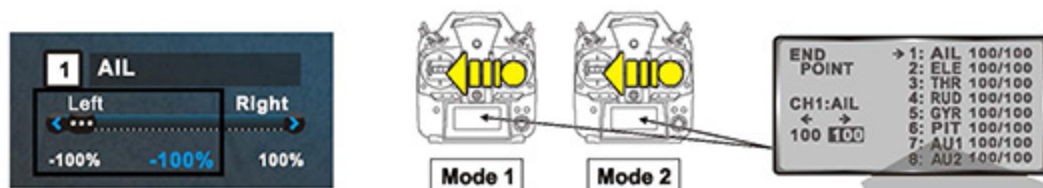
d. Confirm the direction of each channel. If interface displays opposite direction, reverse using the channel reverse function on transmitter so that movement of sticks corresponds to correct direction on interface. In addition, use EPA/Travel Adj function on transmitter to adjust the end points so that max/min travel corresponds to 100% and -100% on the interface.

d. 確認各頻道方向，如果介面顯示方向與搖桿方向相反，請調整遙控器內該頻道正方向，讓電腦介面與遙控器一致。並使用EPA、Travel ADJ功能將副翼、升降與集體螺距的最大、最小行程對應介面上輸出100%與-100%。



Also confirm all movement directions are correct. Incorrect movements can be reversed through transmitter's reverse function.

同時也要確認各動作輸出方向是否正確。如果不正確時，請由遙控器頻道正反轉設定調整正確方向。



Using the transmitter's EPA/Travel ADJ function, adjust the maximum/minimum travel on the PC interface to 100% and -100% respectively.

使用遙控器EPA、Travel ADJ功能，將電腦介面上最大、最小行程調至100%與-100%。



Note: Must adjust the max and min travel of alleron/elevator/pitch to correspond with 100% and -100% of transmitter stick.

注意：必須將副翼、升降、集體螺距的最大及最小行程對應至拉桿的100%與-100%。

STEP3 : SENSOR MOUNTING & BLADE DIRECTION

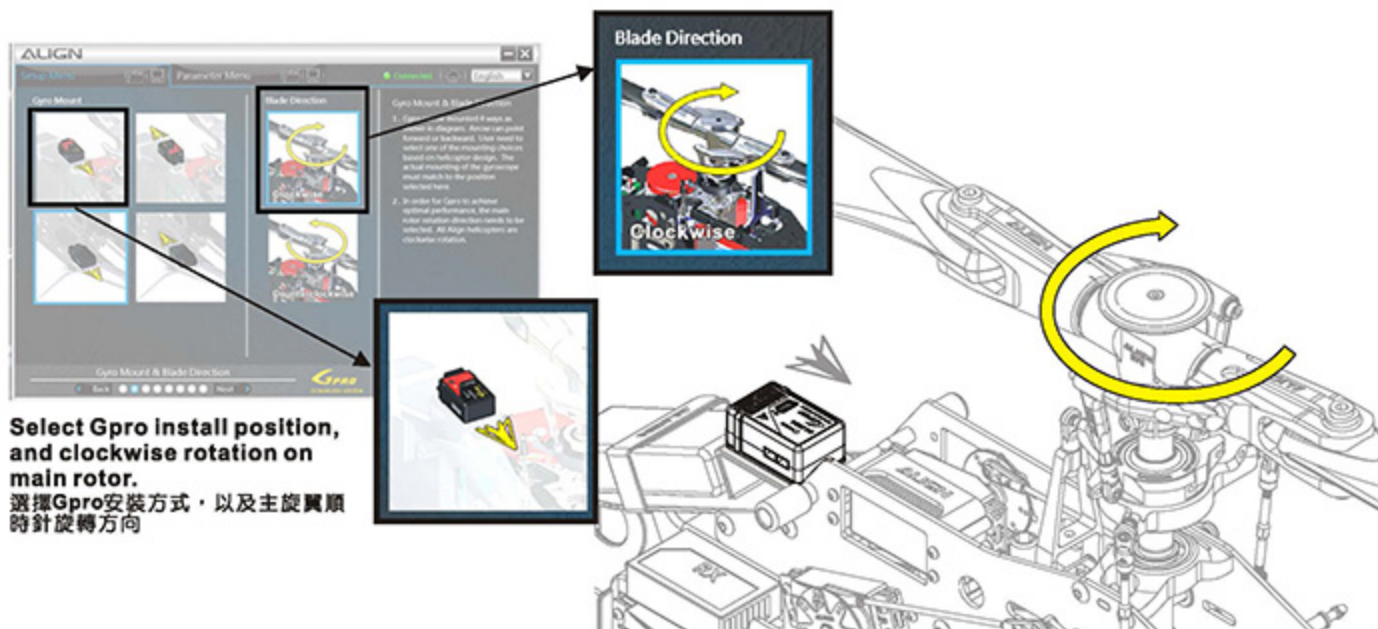
步驟3：陀螺儀安裝與主旋翼旋轉方向

a. Gpro can be mounted 4 ways as shown in diagram. Arrow can point forward or backward. User need to select one of the mounting choices based on helicopter design. The actual mounting of the gyroscope must match to the position selected here.

b. In order for Gpro to achieve optimal performance, the main rotor rotation direction needs to be selected. All Align helicopters are clockwise rotation.

a. Gpro 具備4種安裝方式，如電腦介面圖示，箭頭指示標須朝前或朝後。玩家必須依直昇機結構設計，選擇其一方式安裝。所選安裝方式必須與實際安裝相同，否則會造成Gpro修正方向錯誤。

b. 為讓Gpro有更優異性能必須設置主旋翼旋轉方向，所有亞拓直昇機都為順時針旋轉方向。



Select Gpro install position, and clockwise rotation on main rotor.
選擇Gpro安裝方式，以及主旋翼順時針旋轉方向

STEP4 : PITCH DIRECTION & SWASH TYPE

步驟4：螺距方向與十字盤類型

- a. Gpro needs to know which direction swashplate moves during positive pitch movement. All Align helicopters have upward moving swashplate during positive pitch.
- b. Select the swashplate type based on the helicopter. Then confirm the direction of each movement is correct. If reversed, correct by selecting the corresponding reverse option on this interface.

- a. Gpro 需要知道直昇機正螺距時，十字盤的移動方向。所有亞拓直昇機都為正螺距十字盤向上的方式。
- b. 請依直昇機十字盤類型，選擇正確的十字盤。接著要確認直昇機十字盤運作方向，如果有錯誤，請調整介面上的伺服器正反向，使十字盤運作正確。



For this step, do not reverse the servo using transmitter's reverse function.
此步驟不可調整遙控器的頻道正反向功能。



Select positive pitch swashplate up mode, and H-3 T-REX 700N DFC swashplate type.

選擇正螺距十字盤向上方式，以及H-3 T-REX 700N DFC的十字盤類型。

Swashplate must move up. If there are any incorrect servo movements, adjust the servo direction per diagram on left until correct movement is achieved.

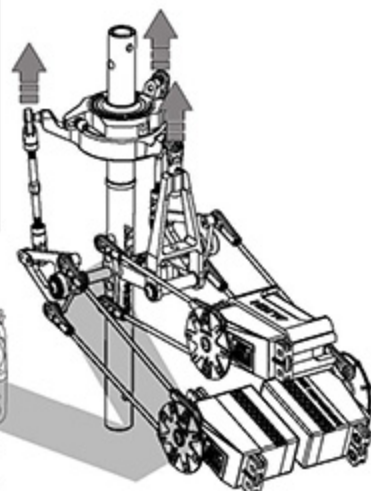
十字盤必須向上，如果有伺服器動作錯誤，請調整左圖的伺服器正反向，使十字盤動作正確。



Mode 1



Mode 2

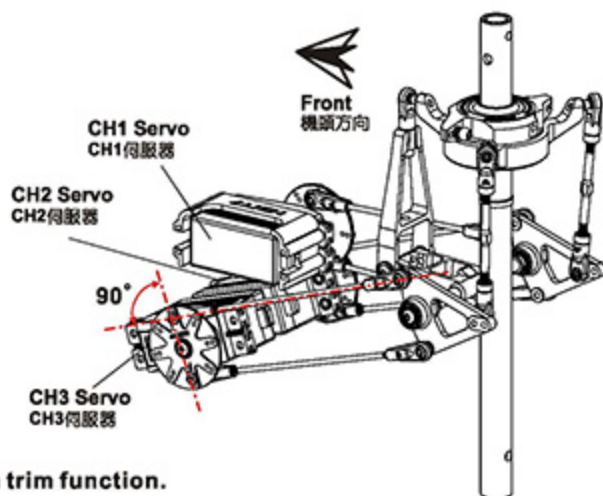
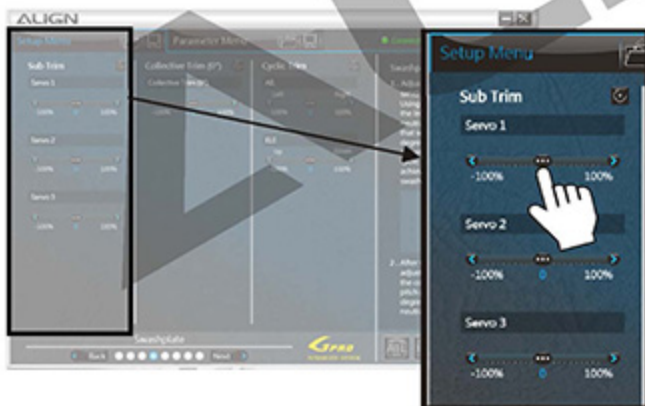


STEP5 : SWASHPLATE ADJUSTMENT

步驟5：十字盤調整

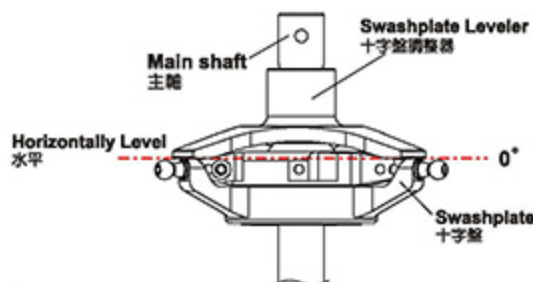
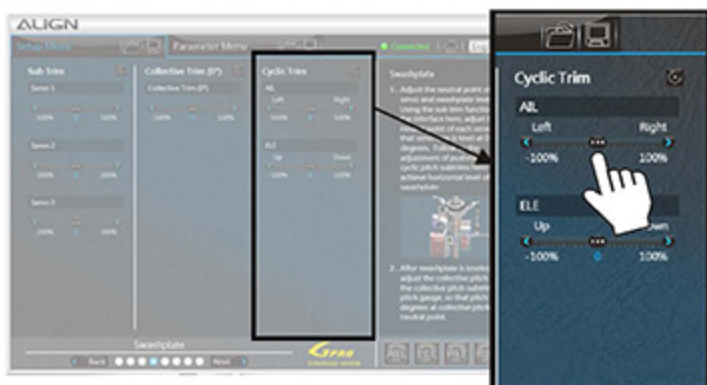
- a. Adjust the neutral point of each servo and swashplate level. Using the subtrim function on the interface here, adjust the neutral point of each servo so that servo arm is at 90 degrees. Follow by the adjustment of push rod length or cyclic pitch subtrims here to achieve horizontal level of swashplate.

- a. 調整各伺服器中立點與十字盤的水平。利用介面上的伺服器微調功能，逐一調整各伺服器中立點，讓伺服器擺臂90度，並配合拉桿長度的調整或循環螺距微調，使十字盤呈水平。



- b. Swashplate level can also be adjusted here through cyclic pitch trim function.

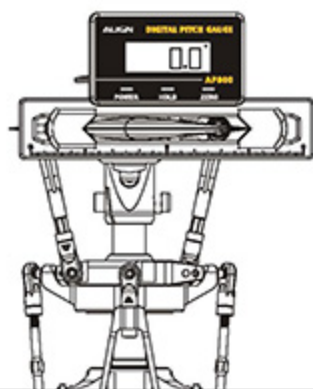
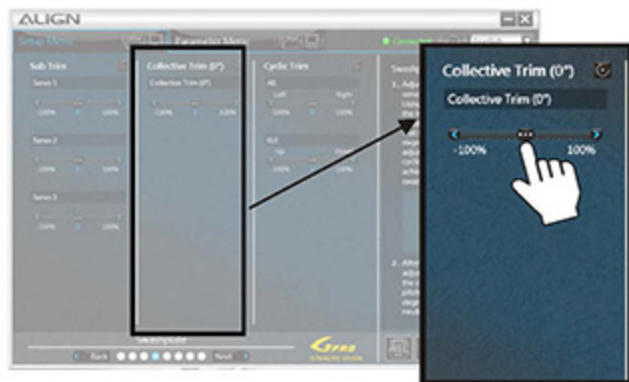
- b. 這邊也可以利用循環螺距微調功能，調整十字盤水平。



Swash leveler can be used during swashplate leveling adjustments.
調整十字盤水平可以用十字盤調整器。進行調整，來確保十字盤水平狀態。

c. After swashplate is leveled, adjust the collective pitch using the collective pitch subtrim and a pitch gauge, so that pitch is 0 degrees at collective pitch neutral point.

c. 十字盤水平後，利用集體螺距微調且搭配數位螺距規使用，將集體螺距中間點調為0度。



STEP 6 : COLLECTIVE PITCH AND CYCLIC PITCH

步驟6：集體螺距&循環螺距

a-1. Push throttle stick to maximum position. Using the positive collective pitch parameter and a pitch gauge, adjust the maximum pitch angle. At this time, the cyclic pitch subtrims below can be used to achieve swashplate level during maximum pitch.

a-1. 將油門搖桿推至最大，利用正向集體螺距搭配數位螺距規使用，來調整所需的最大螺距角度。此時也可以使用下方的循環螺距微調，來調整最大螺距時的十字盤水平。



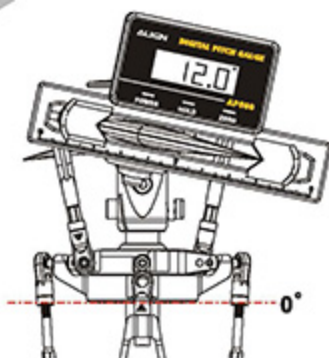
Push throttle to the highest.
油門推至最高



Mode 1



Mode 2



a-2. Push throttle stick to minimum position. Using the positive collective pitch parameter and a pitch gauge, adjust the minimum pitch angle. At this time, the cyclic pitch subtrims below can be used to achieve swashplate level during minimum pitch.

a-2. 將油門搖桿推至最小，利用負向集體螺距搭配數位螺距規使用，來調整所需的最小螺距角度。此時也可以使用下方的循環螺距微調，來調整最小螺距時的十字盤水平。



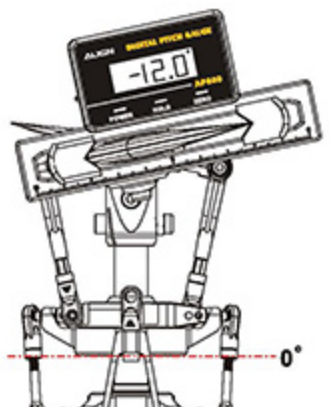
Push throttle to the lowest.
油門推至最低



Mode 1



Mode 2



Please unplug motor wires or activate the throttle HOLD when performing Gpro configuration.
進行Gpro設定時，請拔除馬達線或切到油門HOLD模式，設定完畢後再重新開啟Gpro電源。

b. Gpro's cyclic pitch must be set to 8 degrees. Push the "Set to 8 degrees pitch" button, swashplate will tilt to one side. Use a pitch gauge and adjust the cyclic pitch parameter until pitch achieve 8 degrees.

b. Gpro 循環螺距必須設定為 "8 度"。請先按 "設定在 8 度螺距"，此時十字盤會傾斜一邊，使用數位螺距規調整 "循環螺距" 數值，讓角度達到 8 度。



Note: When adjusting cyclic pitch, swashplate will be locked at "8 degrees cyclic pitch" or "0 degrees pitch" when selected. Press "Release" after completion of adjustments to unlock.

註：調整循環螺距時，當您按下 "設定在 8 度螺距" 或 "0 度螺距"，十字盤會鎖在該設定，調整完畢後請按 "解除鎖定" 後，才會解除螺距鎖定。

STEP 7 : RUDDER SETTING

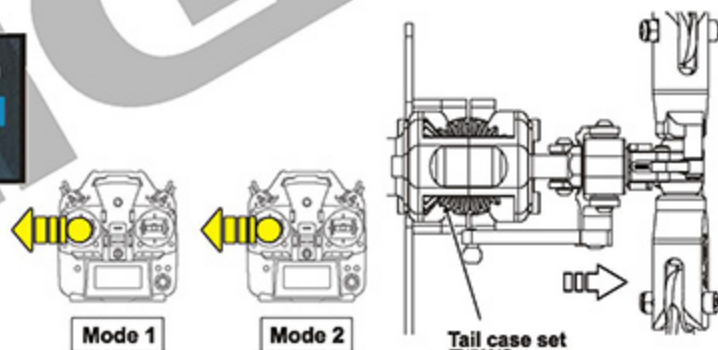
步驟 7 : 尾舵設定

a. First select the type of rudder servo.

b. Confirm rudder servo direction. Reverse on the interface if needed.

a. 先選擇所使用尾舵伺服器種類。

b. 確認尾舵方向，如果不正確，可調整介面上的尾舵方向。

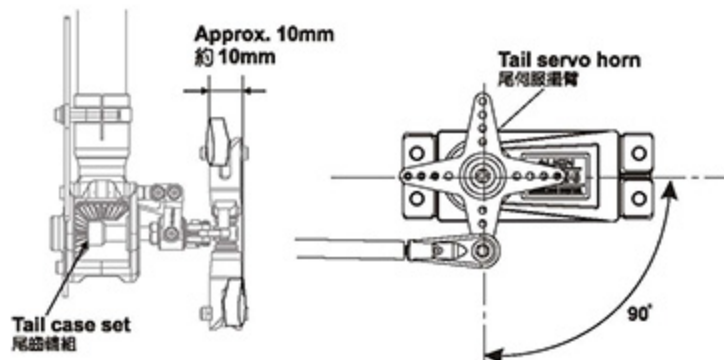
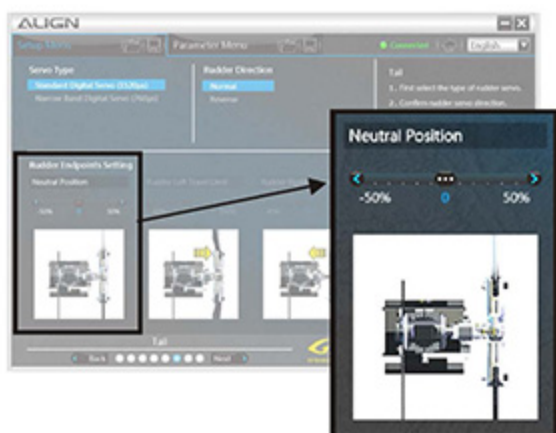


Pushing rudder stick to left will cause tail pitch slider to slide right as show above. Reverse rudder direction if incorrect.

尾舵打左舵，尾滑套會向右移動，如上圖所示。如果不正確，請更改尾舵方向。

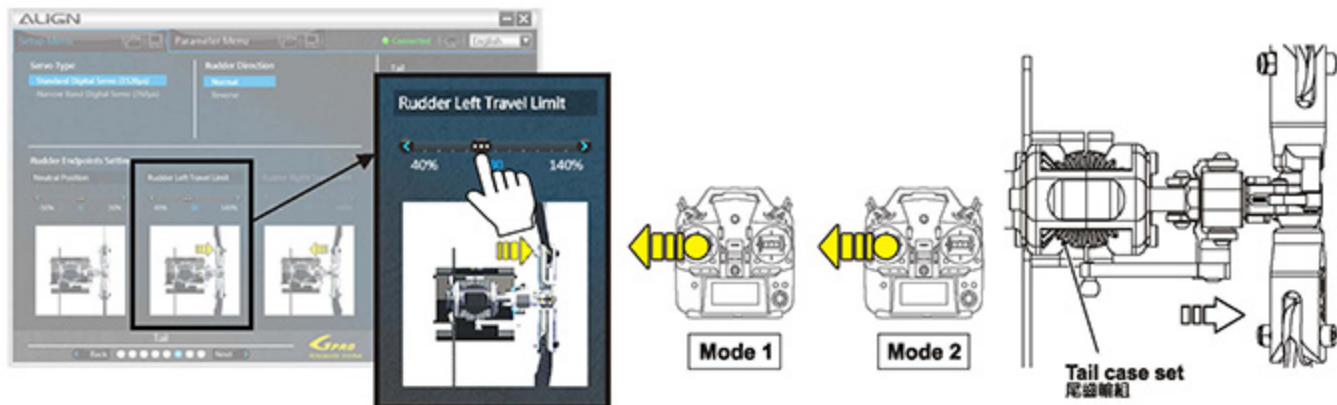
c. Rudder center can be adjusted through Neutral Position setting. Please follow the diagram below, adjust so that servo horn is 90° to servo, and rudder pitch slider is in the middle position.

c. 您可以利用尾舵中立點設定來微調中立點。調整請依下圖所示，伺服器舵片須與伺服器呈 90°，且尾滑套須在置中位置。



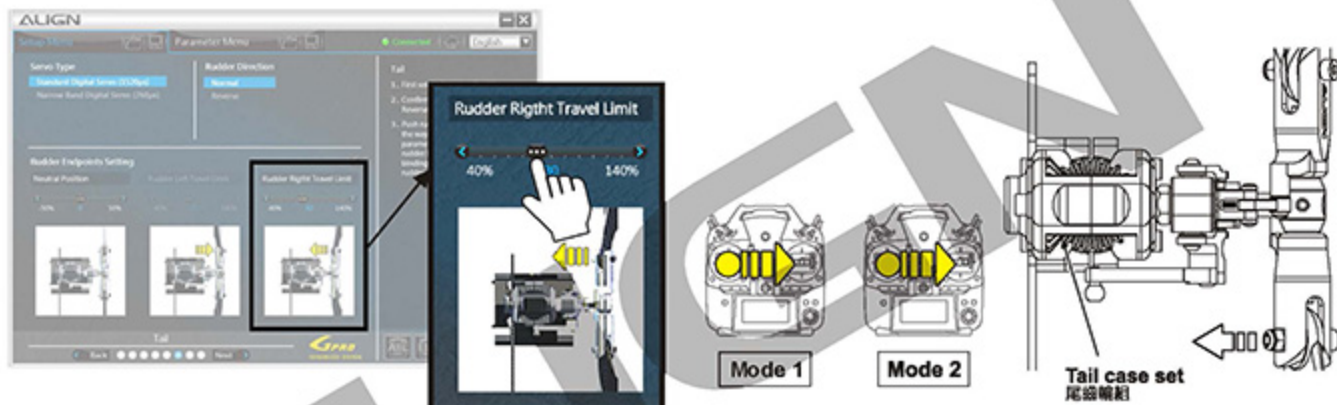
d. Push rudder stick on transmitter all the way left, and adjust the parameter on interface so the rudder is at maximum left without binding.

d. 將遙控器尾舵搖桿左推至最大，調整介面上的數值，讓左舵至最大不干涉。



e. Push rudder stick on transmitter all the way right, and adjust the parameter on interface so the rudder is at maximum right without binding.

e. 將遙控器尾舵搖桿右推至最大，調整介面上的數值，讓右舵至最大不干涉。



Note: please set the rudder gain in heading lock mode, actual gain value differs amongst servos and helicopters. The goal is to find the maximum gain without tail hunting. This can only be done through actual flight tests.

註：請將尾舵感度調整為鎖定模式，感度值的大小會隨著伺服器與直昇機的不同而有所差異，一般而言，在不產生追縱現象（直昇機尾部出現左右搖擺的情況）的前提下感度值愈高愈好，所以只能透過實際飛行的狀況來進行調整。

STEP 8 : GLOW(NITRO) THROTTLE GOVERNOR

步驟8：引擎直昇機定速器



If your helicopter is an electric helicopter. This section can be skipped.
如果您使用的是電動直昇機，請略過此項設定。

Glow(nitro) helicopters can activate governor function here. The RPM sensor must be installed correctly on helicopter.

燃油直昇機可以開啟油機定速功能使用，直昇機上務必正確安裝定速感應器。

a. Turn ON governor function, and enter the correct gear ratio.

b. Push throttle stick to minimum position, press SET to record minimum value. Then push throttle stick to maximum and press SET to record maximum value.

a. 將定速功能開啟，並輸入正確的齒輪比。

b. 將油門搖桿拉至最低，按下“設定”記錄最小值，接著油門推至最高，按下“設定”記錄最大值。



This speed governor function is for nitro power only. Do not activate this function if your helicopter is electric powered. Otherwise it may cause unintentional motor spin-ups, resulting in dangerous situations.

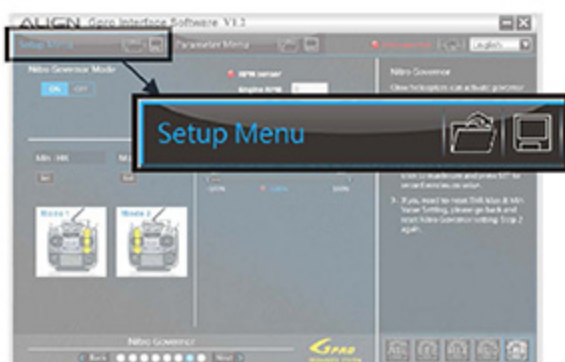
此定速模式為引擎直昇機專用功能，如果您使用的是電動直昇機，請勿開啟此功能；否則會造成馬達旋轉，而發生不可預期的危險。

STEP 9: COMPLETE HELICOPTER SETUP.

步驟9：完成直昇機設定

After completing helicopter setup, please proceed to flight parameter setup.

完成直昇機設定後，請繼續進行飛行參數設定。



Load Setup File
讀取直昇機設定檔案



Save Setup File
儲存直昇機設定檔案

Gpro provides saving function for parameters (both helicopter setting and flight parameters). After completing setup, you can save the configuration parameters into PC for future use.

Gpro提供設定參數(直昇機設定、飛行參數)儲存功能。設定完畢後，您可以將設定參數儲存至電腦，方便往後設定調定用。

5.PARAMETER MENU 飛行參數設定

Flight parameter consists of adjustments to improve helicopter flight characteristics and styles. You can fine tune these parameters to suit your preference. Gpro has flight enhancement specific to helicopter sizes. Please select the correct helicopter class on this settings page.

飛行參數是提升直昇機飛行特性與風格上的調整，您可依照個人操控手感與喜好，調整符合您需求的飛行手感。Gpro有針對大小直昇機進行飛行優化，所以在此設定頁面，您必須選擇正確直昇機類別的設定。



Load Parameter File
讀取飛行參數檔案



Save the file
儲存飛行參數檔案

Gpro provides saving function for parameters (both helicopter setting and flight parameters). After completing setup, you can save the configuration parameters into PC for future use.

Gpro提供設定參數(直昇機設定、飛行參數)儲存功能。設定完畢後，您可以將設定參數儲存至電腦，方便往後設定調定用。

Beginner Settings : If you are a beginner or unfamiliar with radio control, please select "Beginner Settings" so that Gpro can provide more stable and more suitable control feel.

初學者建議參數：如果您剛入門或操控技術不純熟，建議點選“初學者建議參數”，此預設值可以讓Gpro有更穩定、更適合您的操控手感。



When Gpro is connected to the PC or smartphone for configuration setup, Gpro will disable electronic speed control. After completing setup, remember to power Gpro back on.

當Gpro接上電腦或手機進行調整時，請拔除主馬達動力電源，待完成調整設定後，務必重新開啟接收器電源。

Gpro SPECIFICATIONS Gpro產品規格

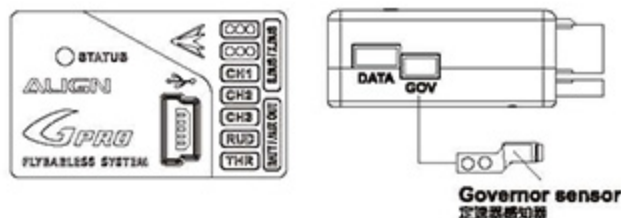
1. Operating voltage range: DC 3.5V~8.4V
2. Operating current consumption: <100mA @ 4.8V
3. X and Y axis Operating Angle Range: -300~+300 degree
4. Z axis Operating Angle Range: -600~+600 degree
5. Sensor resolution: 12bit
6. Supports 90/120/135/140 CCPM swashplates
7. Spektrum and JR Satellite antennas support (Replaces original factory receiver)
8. Futaba S.BUS/JR X.BUS system support
9. Rudder support 760 μ narrow band servos.
10. Supports multi-blade rotor heads.
11. Engine speed governor range: 10500~21000 RPM
12. Operating Temperature: -20~65degree
13. Operating Humidity: 0%~95%
14. Size/Weight: 36.5x25.2x15.6 mm Size/11.5g
15. RoHS certification stamp

1. 適用電壓: DC 3.5~8.4V
2. 消耗電流: <100mA @ 4.8V
3. 偵測側滾及前滾角速度: ± 300 度/sec
4. 偵測尾舵角速度: ± 600 度/sec
5. 感測器解析度: 12位元(12 BIT)
6. 支援傳統90度與120、135、140度CCPM十字盤
7. 支援Spektrum與JR衛星天線
8. 支援Futaba S.BUS/JR X.BUS系統接收機
9. 尾舵支援760 μ 窄頻伺服器
10. 支援多葉旋翼頭
11. 引擎定速器轉速範圍: 10500~21000RPM
12. 操作溫度: -20~65 $^{\circ}$ C
13. 操作濕度: 0%~95%
14. 尺寸/重量: 36.5x25.2x15.6mm/11.5g
15. 符合RoHS限用規章

FEATURES 功能說明

1. Compact design, easy use, simple setting with great speed control performance.
2. Speed resolution: 0.1 RPM.
3. Speed stability accuracy : within 1% (Steady State).
4. Not apply to S9251、S9256 and other 760 μ s servos.

1. 造型精巧操作簡易，不需繁雜的設定，同樣有優異的定速表現。
2. 轉速解析度 0.1 RPM。
3. 轉速控制精度 1% 以內 (steady state)。
4. 不適用 S9251、S9256 等 760 μ s 伺服器。

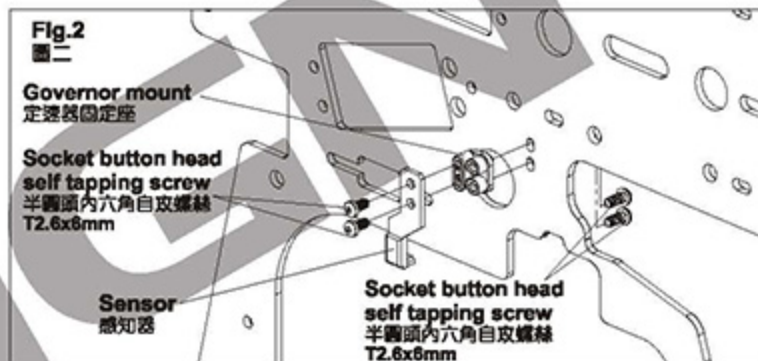
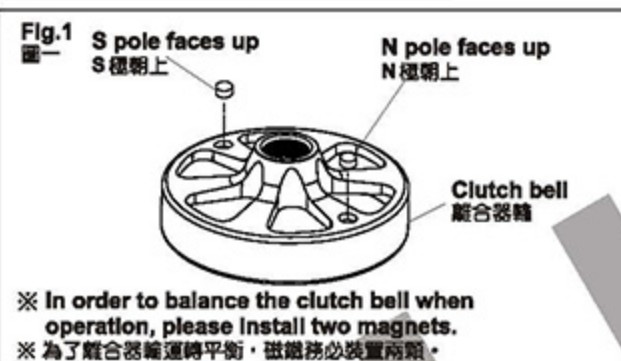


SPECIFICATIONS 產品規格/配件

1. Operating voltage : DC3.5V-8.4V
2. Consumption current : <20mA@4.8V
3. Direct detection of engine rotation speed
4. Speed control range : 10500~21000RPM
5. Servo RWM output pulse width : 1~2ms, not apply to S9251, S9256, other 760 μ s servos.
6. Operating temperature range : -20°C~65°C
7. Operating moisture range : 0%~95%
8. Sensor wire length : 250mm
9. Accessories : Magnet x 2pcs

1. 工作電壓：DC 3.5V-8.4V。
2. 消耗電流：< 20mA@4.8V。
3. 直接偵測引擎轉速。
4. 定速範圍：10500~21000RPM。
5. 伺服器 PWM 輸出波寬 1~2ms，不適用 S9251、S9256 等 760 μ s 伺服器。
6. 工作溫度範圍：-20°C~65°C。
7. 工作濕度範圍：0%~95%。
8. 轉速感應線長：250mm。
9. 配件：轉速感應磁鐵 x 2pcs。

INSTRUCTION 安裝使用說明



1. See Fig. 1, first install two magnets on the mounting hole of the engine fan with CA glue or R48 glue, the north pole of one magnet (mark N) faces up and the north pole of the other magnet faces down.
NOTE: Magnets must be firmly secured. If the magnet falls from the engine fan during the flight, the governor will automatically cut out the speed control function.
2. See Fig. 2, install the sensor on the main frame, and check if any interference caused by the engine fan.
3. Before connecting to the governor, first please check the rotation direction (clockwise/anti-clockwise) of throttle servo and travel range are correct.
4. When using standard parallel channel layout or S.BUS system to connect the Gpro, speed setting is done through channel 7.
5. When connecting the governor to the power, LED light is on. When the magnet is lapped over the sensor, the LED light will be off. (If the LED isn't off, please check the polarity of the magnet and check if the wire is well connected and check for the distance between the sensor and the magnet.)
6. When normal, the throttle curve is straight (0%/50%/100%). When Idle, the throttle curve cannot be lower than 50%. When the governor fails, it will go back to the governor OFF mode. Therefore, even though you have installed the governor, the throttle curve of transmitter must be set as regular setting.
7. Two conditions- Governor will be enabled:
(1) Turn on the governor switch. (2) Throttle position >30% and more.
8. When the governor turns on, the rotation speed of the engine is controlled by the ATV (%) which is the channel chosen on the 4th step. The following chart is ATV setting and engine rotation speed for Futaba and JR transmitters. The rotation speed of main blade is converted according to the engine ratio of original helicopter.

1. 如圖一先將轉速感應磁鐵一顆 N 極朝上 (作記號的面為 N 極)，一顆 N 極朝下，以 CA 或 R48 黏著在離合器輪預留的磁鐵座上。
※ 注意：磁鐵須固定牢靠，若飛行中磁鐵不慎脫落，定速器將自動取消定速功能。
2. 如圖二標示之位置將轉速感知器安裝於機板上，並檢查是否與離合器輪產生干涉的情形。
3. 連接定速器前，先確定油門伺服器正逆轉及機械行程是否正確。
4. Gpro 採用傳統接線與 S.BUS 接線方式，轉速設定由第七通道設定。
5. 定速器接上電源後，LED 恆亮，當磁鐵與感知器重合時，LED 會熄滅。(如 LED 未熄滅，需檢查磁鐵極性是否正確？線路連接是否正確？感知器及磁鐵距離是否正確？)。
6. 油門曲線在 normal 時為直線 (0%/50%/100%)，idle 油門曲線最低點不可低於 50%，即使有安裝定速器，遙控器的油門曲線仍要依照正常的模式來設定，因為當定速器失效時會返回非定速模式。
7. 定速器的啟動條件有二項：(1) 定速器開關開啟，LED 亮綠燈。(2) 油門位置 > 30% 以上。
8. 當啟動定速功能時，引擎的轉速即交由第 4 步驟所選定通道的行程量 (ATV) 百分比 (%) 來進行控制，下表為 Futaba 與 JR 遙控器 ATV 設定值與引擎轉速的對照表，主旋翼的轉速應依照原廠直昇機的引擎齒比換算。

ATV	FUTABA PCM 1024Z		FUTABA T14MZ/T12FG/T12Z		JR PCM10S/9X/9X II	
	Engine speed 引擎轉速	T-REX 700N DFC Main blade speed 8.2:1 主旋翼轉速 8.2:1	Engine speed 引擎轉速	T-REX 700N DFC Main blade speed 8.2:1 主旋翼轉速 8.2:1	Engine speed 引擎轉速	T-REX 700N DFC Main blade speed 8.2:1 主旋翼轉速 8.2:1
10%	10500	1280	10500	1280	10500	1280
20%	10500	1280	10500	1280	10500	1280
30%	12000	1463	10800	1317	10500	1280
40%	13700	1670	12000	1463	11200	1366
50%	15400	1878	13300	1622	12400	1512
60%	17070	2082	14550	1774	13600	1658
70%	18760	2288	15800	1927	14850	1811
80%	20410	2489	17100	2085	16000	1951
90%	21000	2560	18340	2237	17200	2098
100%	21000	2560	19700	2402	18450	2250
110%	21000	2560	20860	2544	19640	2395
120%	21000	2560	21000	2560	20760	2532
130%	21000	2560	21000	2560	21000	2560
140%	21000	2560	21000	2560	21000	2560
150%	21000	2560	21000	2560	21000	2560

NOTE : 1. If the LED light is off, please check if the magnet is lapped over the sensor. Please turn the magnet position of clutch bell to let the LED light on.

2. The safty RPM is up to 16000rpm for OS91 engine.

註：1. 如開機時定速器燈沒亮，有可能是磁鐵跟感知器重合，請轉動離合器輪磁鐵位置，讓指示燈亮起。
2. OS91 引擎安全轉速上限 16000rpm。

16. 2 IN 1 VOLTAGE REGULATOR INSTRUCTION MANUAL 2合1降壓器安裝使用說明

ALIGN

FEATURES 功能說明

- Due to the unique 2 in 1 design, the regulator's functions provide power to the receiver, servos, and the internal glow plug ignition system that does not require you to remove the clip lead.
- The linear regulator design results in no interference to the receiver. The required input power may only consist of a 2 cell Li-ion or a Li-Poly battery.
- When the integrated power switch is moved to the on position, the voltage indicating LED's and Ignition indicating LED's will illuminate displaying the status of the battery voltage, and of the plug ignition function.

- 獨特的二合一設計，除了具備(BEC)降/穩壓系統，以提供接收器與伺服器電源的功能外，還內建一組火星塞的點火裝置，省去傳統電夾插拔的麻煩。
- 本產品採用線性設計，輸入電源為2CELL的Li-Ion或Li-Poly電池，其優點為不會像交換式設計的BEC會產生干擾接收器的情形，免於摔機的恐懼。
- 具備電源開關、電壓指示燈及點火指示燈功能，可由燈號判定電池殘量與火星塞的點火狀態。

SPECIFICATIONS 產品規格/配件

- Input Voltage : DC 7.4V 2 cell Lithium or Li-Poly battery
- Output Voltage : DC 5.8V(BEC)/ 1.5V(Glow Plug)
- Max. Continuous Current : 6A
- Weight : 53.5g (including wires)
- Regulator size : 80x30x13.3mm
Control board size : 35x24x10mm

- 輸入電壓：DC 7.4V 2CELL 鋰電
- 輸出電壓：DC 5.8V(BEC)/ 1.5V(Glow Plug)
- 最大連續輸出電流：6安培
- 重量：53.5g (含線組)
- 尺寸：降壓器 80x30x13.3mm
控制板 35x24x10mm

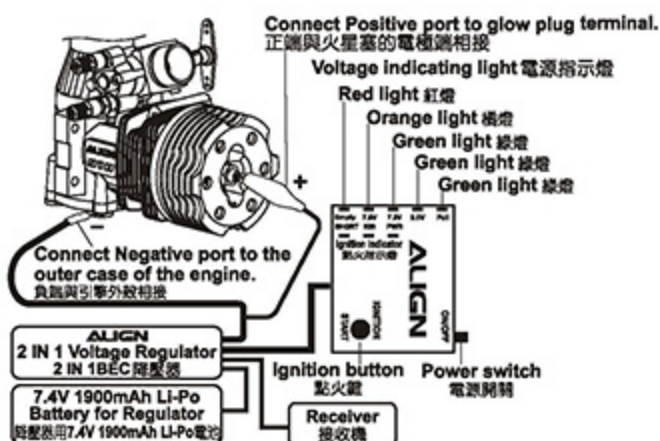
INSTRUCTION 安裝使用說明

Receiver and Servo Voltage Regulating Functions :

- The Auto-detecting voltage LED's will display a series of lights when turned on. If the entire five-light array is illuminated then the battery is fully charged. When the voltage drops below 7.6V the three green lights will turn off.
USE CAUTION : Once the green lights are no longer illuminated the battery can only be safely used for a single flight. When only the single red LED is lit, DO NOT ATTEMPT TO OPERATE THE MODEL. The battery voltage has been drained too low, and must be recharged before its next use.
- It is important to note that not all servos are designed to operate on 6 volts, such as Futaba servo models 9241, 9251, 9253, 9254, 9255, 9256 and other digital servo are not capable of handling 6V. Please check with the manufacturing specifications of the servo before attempting to operate. A separate 5.1V inline voltage Step-Down may be purchased and is recommended for use between the gyro and the tail servo, and any servos that are not designed to handle 6V. Please note that some servos are designed for running on 6V and may not require a voltage step-down.

接收器與伺服器電源部份：

- 本產品具電壓指示功能，當接入充電的電池時五顆指示燈全亮，表示電池在 Full 電量充足狀態下；使用中當電壓降低至 7.6V 時(3 顆綠燈熄滅)，尚可完成單趟飛行即須對電池充電或更換新電池；而如果僅亮紅燈時表示 Empty 電量不足，不應再使用！
- 部份的伺服器如：Futaba 9241, 9251, 9253, 9254, 9255, 9256 等，此類型的伺服器不適合於較高的電壓下操作，所以使用此類型的伺服器時請另外加裝 5.1V 降壓調整器於陀螺儀與尾舵伺服器間，避免伺服器損壞；規格標示允許 6V 輸入的伺服器則不須使用調整器。



Glow Plug Ignition System Functions :

1. Start by connecting the wires using the included diagram as a reference. Once completed connect the battery and move the power switch to the on position. Depress the "START" button on the control board. The green and the orange lights will illuminate.

When this happens the glow plug is being ignited for a period of 15 seconds. After 15 seconds, the control board will stop igniting the glow plug. If the engine has not yet been started, the process can be repeated by simply repressing the "START" button.

The Ignition system is designed to automatically shut off once the engine starts running. To ensure that the system is operating properly, check to make sure that the orange and green lights have shut off once the engine starts running. In the event that the lights are still illuminated once the engine is running, it may be necessary to remove the lead clip from the engine.

2. If the orange light is not illuminated after pressing "START" then this means that the glow plug is not being ignited. Please check to see if the element of the glow plug has burned out, or if the lead clip is not properly connected to the glow plug.
3. If the Glow plug is short-circuited or the lead clip has contacted the outer case of the engine, the red (SHORT) light will be illuminated approx. 1 second after pressing the "START" button. If the "SHORT" light illuminates the system will automatically shut off the power to the output leads.

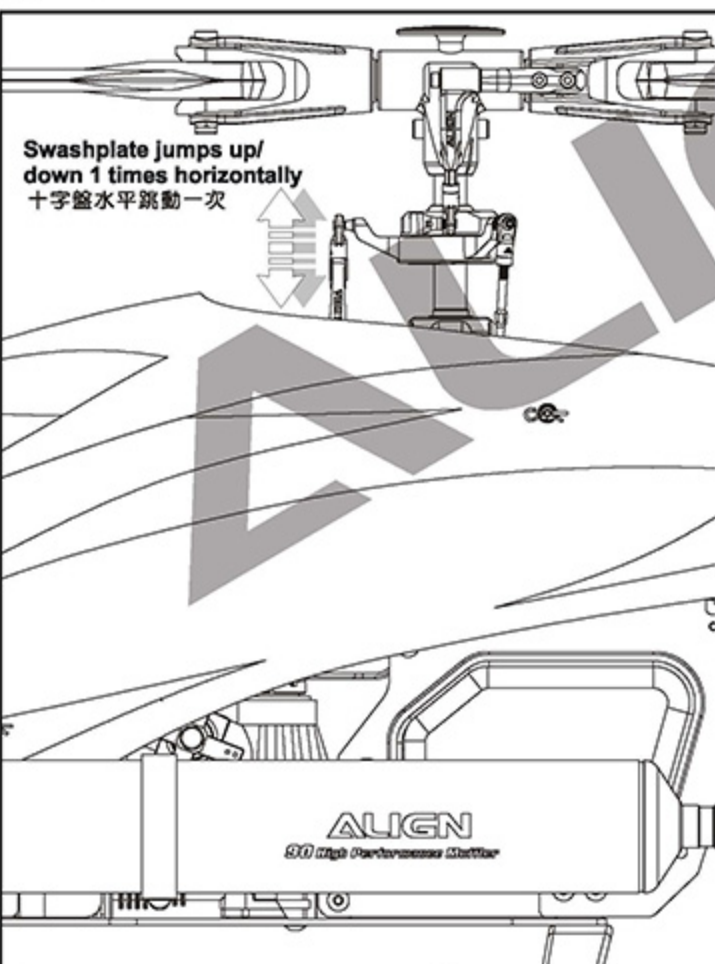
火星塞點火器部分：

1. 依接線示意圖完成接線後，開啟電源開關，接著按下控制電路板上的"START"鍵，此時點火指示燈的綠燈與橘燈同時亮起，表示火星塞已正常點火中，每次點火時間約為15秒，15秒後自動關閉，如需再次點火時，則再按一次"START"鍵；由於點火裝置會自動關閉，所以引擎啟動後，確認橘色、綠色指示燈於15秒後熄滅，即不須將鱷魚夾移除。
2. 若按下"START"鍵時，橘燈不亮，表示火星塞未正常點火，請檢查火星塞加熱線圈是否開路損壞，或是鱷魚夾未確實夾在火星塞電極端上。
3. 如果火星塞發生短路或是鱷魚夾（電源正端）與引擎外殼接觸時，當按下"START"鍵，紅色(SHORT)指示燈會亮起，約1秒後熄滅並隨即關閉電源輸出，請檢查火星塞是否損壞或檢查鱷魚夾是否接觸到引擎外殼。

NOTE : Please use double-sided foam tape or hook & loop tap to fix the regulator on the helicopter. Please do not tighten the wires of regulator hard to avoid the wires loose or broken caused by the vibration during the operation of the helicopter.

注意：請使用泡綿雙面膠或魔術沾將降壓器與直昇機固定，降壓器的各線組請勿繃緊固定，以免直昇機運轉時因震動造成接頭鬆脫或斷線。

17. Gpro FLYBARLESS PREFLIGHT CHECK 飛行前測試程序

ALIGN

STEP1 步驟1

Turn on Transmitter, and then receiver power.
先開啟遙控器電源，再開啟接收器電源。

STEP2 步驟2

Do not move the helicopter or control sticks so the gyro sensor can initialize properly.
請勿移動直昇機與撥動搖桿，以陀螺儀感應器進入初始化程序。

STEP3 步驟3

As shown, swashplate will jump horizontally once indicating successful initialization. If the swashplate is tilted while jumping, this is an indication of improper setup, requiring performing the flybarless setup again (Please refer to flybarless system setup). Until the helicopter is properly initialized, helicopter pitch will not be moveable. If the system cannot initialize and the STATUS LED is flashing red, please check to ensure helicopter is stationary, or if there are any loose connections. After proper initialization, green STATUS LED indicates rudder tail locking mode, while red LED indicate non-tail locking mode.

如圖示，初始化完成後，十字盤會保持水平上下小幅跳動一次，表示完成開機程序；如十字盤為傾斜跳動一次，則表示設定錯誤，須進入無平衡系統重新設定。（參考Gpro無平衡系統設定）完成開機前直昇機螺距被固定無法動作，如果一直無法完成開機程序STATUS紅燈閃爍，請檢查開機時直昇機是否靜止或訊號線未接妥，確認後重新開機。正常開機後，STATUS亮綠燈表示尾舵為鎖定模式，亮紅燈為非鎖定模式。

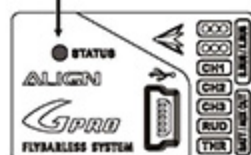
○ Swashplate jumps up and down 1 times horizontally represents successful initialization.
十字盤水平跳動一次代表正常開機



× Swashplate jumps up and down 13 times tilted represents setup error.
十字盤傾斜跳動一次代表設定錯誤



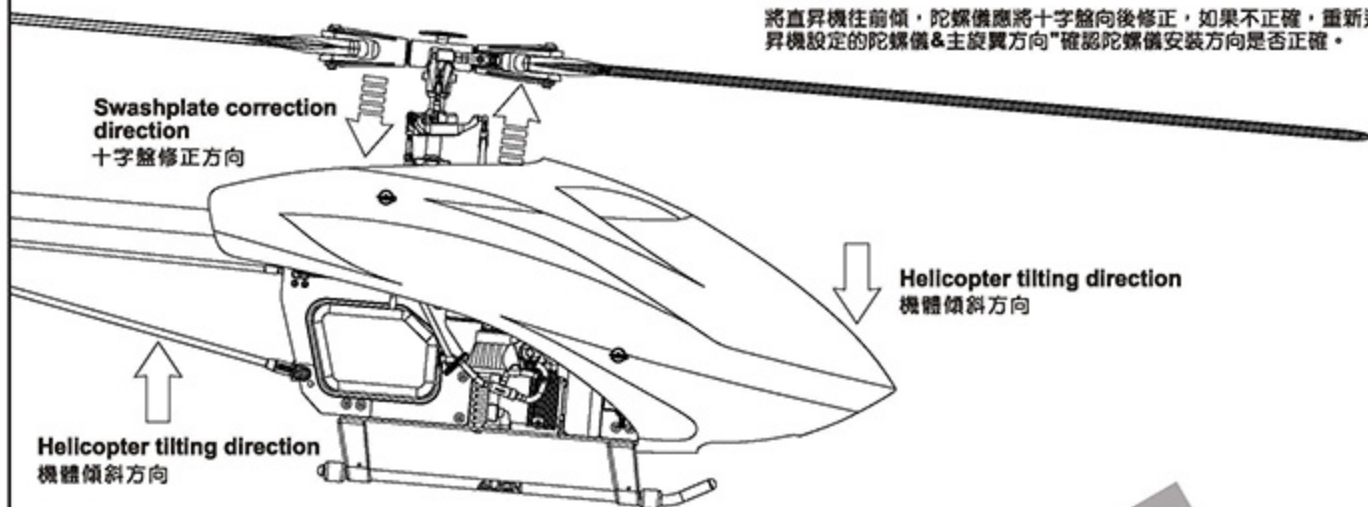
Green = rudder in heading lock mode
Red = rudder in normal mode
綠燈為尾舵鎖定模式
紅燈為尾舵非鎖定模式



STEP4 步驟4

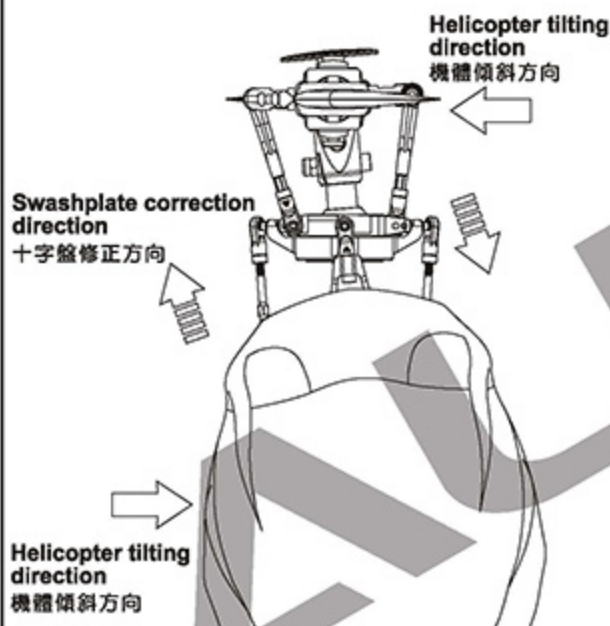
Tilt the helicopter forward, gyro should compensate by tilting swashplate back. If incorrect, go back to helicopter setup and check for proper setting in gyro and main rotor direction.

將直昇機往前傾，陀螺儀應將十字盤向後修正，如果不正確，重新進入"直昇機設定的陀螺儀&主旋翼方向"確認陀螺儀安裝方向是否正確。

**STEP5 步驟5**

Tilt the helicopter right, gyro should compensate by tilting swashplate left. If incorrect, go back to helicopter setup and check for proper setting in gyro and main rotor direction.

將直昇機往右傾，陀螺儀應將十字盤向左修正，如果不正確，重新進入"直昇機設定的陀螺儀&主旋翼方向"確認陀螺儀安裝方向是否正確。

**STEP6 步驟6**

Check the center of gravity (CG) and adjust component placement until CG point is right on the main shaft of the helicopter.

檢視直昇機重心是否適當請先調整直昇機重心位置至主軸中心線下方位置。

STEP7 步驟7

With all above steps checked, restart the system and begin flight test.

確定所有功能正常，重新開機，完成開機程序後進入飛行測試。

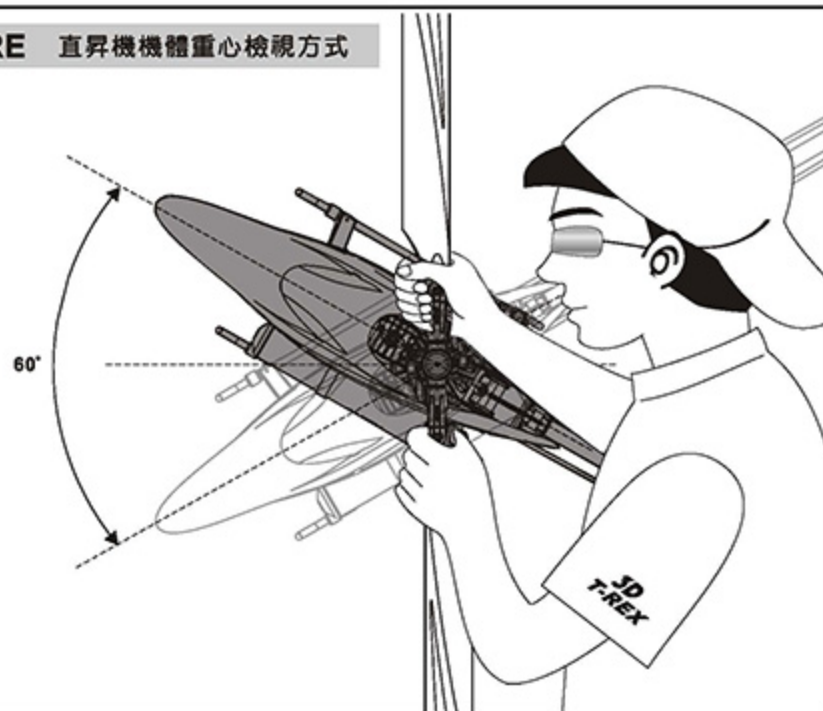
HELICOPTER CG CHECK PROCEDURE 直昇機機體重心檢視方式

With a full fuel tank, hold the helicopter as shown. Once the helicopter stops rotating, the helicopter's CG can be seen at where the head is pointing relative to the main shaft.

油箱加滿油後，將直昇機如圖示舉起，等待直昇機停止轉動後檢視機頭方向，正確重心應落在機身（主軸附近）位置。

The appropriate front-back CG is achieved when helicopter's head falls within 60° from horizontal.

以水平線上下夾角 60° 內的範圍來調整機體前後的中心，最為適當。



PLEASE PRACTICE SIMULATION FLIGHT BEFORE REAL FLYING 飛行前請事先熟練電腦模擬飛行

A safe and effective practice method is to use the transmitter flying on the computer through simulator software sold on the market. Do a simulation flight until you familiarize your fingers with the movements of the rudders, and keep practicing until the fingers move naturally.

1. Place the helicopter in a clear open field (Make sure the power OFF) and the tail of helicopter point to yourself.
2. Practice to operate the throttle stick (as below illustration) and repeat practicing "Throttle high/low", "Aileron left/right", "Rudder left/right", and "Elevator up/down".
3. The simulation flight practice is very important, please keep practicing until the fingers move naturally when you hear operation orders being call out.

在還沒瞭解直昇機各動作的操控方式前，嚴禁實機飛行，請先進行電腦模擬飛行的練習，一種最有效、最安全的練習方式，就是透過市面販售的模擬軟體，以遙控器在電腦上模擬飛行，熟悉各種方向的操控，並不斷的重複，直到手指可熟練的控制各個動作及方向。

1. 將直昇機放在空曠的地方(確認引擎為熄火狀態)，並將直昇機的機尾對準自己。
2. 練習操作遙控器的各搖桿(各動作的操作方式如下圖)，並反覆練習油門高/低、副翼左/右、升降舵前/後及方向舵左/右操作方式。
3. 模擬飛行的練習相當重要，請重複練習直到不需思索，手指能自然隨著喊出的指令移動控制。

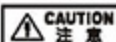


Mode 1	Mode 2	Illustration 圖示
<p>Aileron 副翼</p>		
<p>Elevator 升降/前後</p>		
<p>Throttle 油門</p>		
<p>Rudder 方向</p>		

FLIGHT ADJUSTMENT AND NOTICE 飛行調整與注意



- ⊙ Check if the screws are firmly tightened.
- ⊙ Check if the transmitter and receivers are fully charged.
- ⊙ 再次確認→螺絲是否鎖固?
- ⊙ 發射器和接收器電池是否足夠。



If there are other radio control aircraft at the field, make sure to check their frequencies and tell them what frequency you are using. Frequency interference can cause your model, or other models to crash and increase the risk of danger.

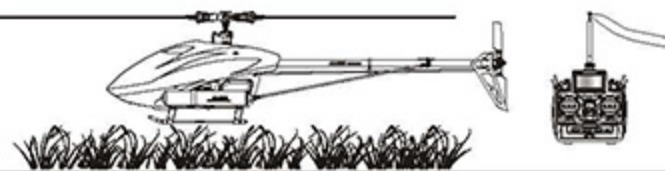
假使飛行場有其他遙控飛機，請確認他們的頻率，並告知他們你正在使用的頻率，相同的頻率會造成干擾導致失控和大大地增加風險。

ENGINE START PREPARATION 引擎啟動事前準備

Separate the fuel tube and the joint and start to refuel. Please be careful to avoid the dust entering the tube. When the fuel tank is full, please stop refueling and reconnect the tube and the joint.

將油管與其接頭分離，並開始補給燃料。請小心避免灰塵砂粒進入管子內。當油箱已滿，請停止補給燃料並再將管子及接頭接合。

- When arriving at the flying field.
- 當抵達飛行場





First check to make sure no one else is operating on the same frequency. Then place the throttle stick at lowest position and turn on the transmitter.

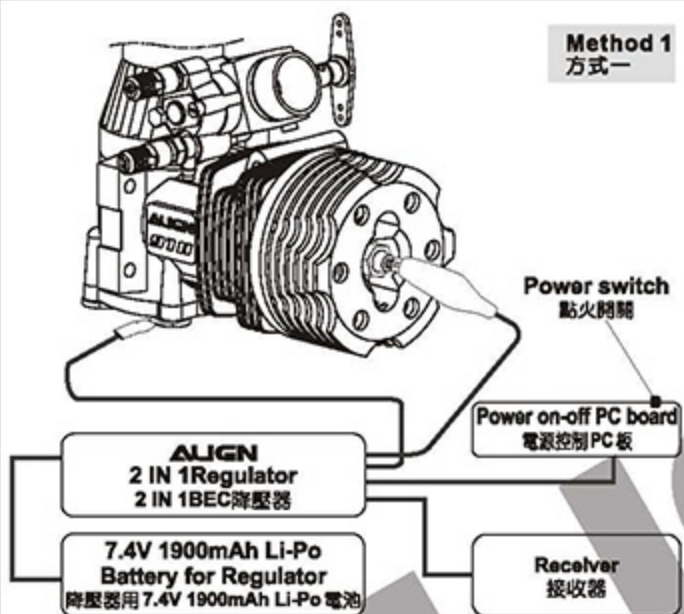
首先確認附近沒有其他相同頻率的使用，然後打開發射器將油門搖桿推到低點。



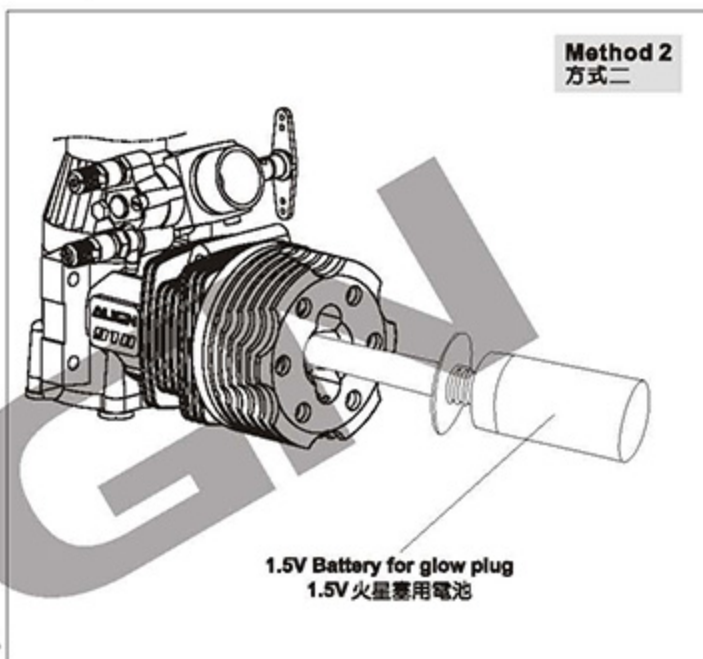
Check if the throttle stick is set at the lowest position and check if engine throttle is at low speed. 確認油門搖桿是在最低的位置，並確認引擎油門置於低速。

GLOW PLUG IGNITION METHOD 火星塞點火方式

Method 1
方式一



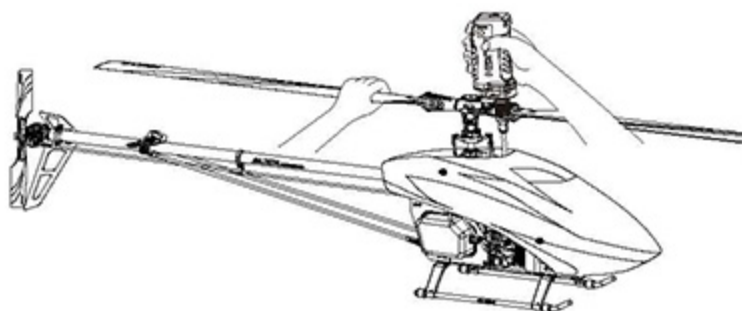
Method 2
方式二



ENGINE START AND STOP 引擎啟動和熄火

1. Connect the battery to the starter and check the rotation direction. Insert the starter shaft into the starter completely.
2. Tightly hold the main rotor head, and insert the starter shaft into the starter coupling. Then turn the starter to start the engine.
3. When the engine starts, stop the starter and remove it from the starter coupling. Please keep holding the main rotor head tightly.
4. Hold the main rotor head tightly, and turn off the power of glow plug or remove the power.
5. Still hold the main rotor head tightly, turn throttle trim at the lowest position, and keeping engine in lowest regular running.
6. If you want to stop the engine, please set the throttle trim (beside the throttle stick) at the lowest position. If the engine cannot stop, please put the Fuel Clip into lock position to stopping refueling.

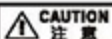
1. 將啟動電池連接到啟動器並確認其轉動方向。將啟動軸完全插入啟動器。
2. 緊緊抓住主旋翼頭部，將啟動軸插入引擎啟動頭並以啟動器啟動引擎。
3. 當引擎啟動後，停止啟動器並將啟動頭上的啟動器移開。請保持繼續緊緊抓住主旋翼頭部。
4. 仍然緊緊抓住主旋翼頭部，將火星塞點火電池關閉或移開。
5. 仍然緊緊抓住主旋翼頭部，請保持油門於最低點時，引擎能保持於最低速下正常運轉。
6. 欲將引擎熄火時，只需將油門搖桿旁的油門微調調至最低即可；如果引擎仍無法停止，請將油管夾片推至鎖定位置，關閉油料供給。



This procedure is best performed on soft surfaces such as grass. The use of rubber skid stopper is recommended on hard surface to prevent vibration feedback from the ground to flybarless sensors, resulting in over-corrections.

將直昇機置於柔軟地面上，建議硬地起飛腳架裝上避震墊圈。避免升空前腳架與過硬的地面震動太大反饋至機身上的無平衡感應器，影響無平衡翼系統升空前過度修正。

Rubber skid stoppers installed 裝上避震墊器



If swashplate should tilt prior to lift off, do not try to manually trim the swashplate level. This is due to vibration feedback to the sensor, and will disappear once helicopter lifts off the ground. If manual trim is applied, helicopter will tilt immediately after liftoff.

直昇機離地前，十字盤可能因感應器受震動的回饋，使十字盤有傾斜的情形，此時請勿刻意將十字盤修正為水平狀態，此現象只要離地升空時立即解除，可平穩升空；若刻意將十字盤修正為水平時，反而會造成感應器過度修正，一離地即偏往修正方向的危險。

MAIN ROTOR ADJUSTMENTS 主旋翼雙槳平衡調整

1. Before adjusting, apply a red piece of tape on one blade, or paint a red stripe with a marker or paint to identify on blade.
2. Raise the throttle stick slowly and stop just before the helicopter lifts-off ground. Look at the spinning blades from the side of the helicopter.
3. Look at the path of the rotor carefully. If the two blades rotate in the same path, it does not need to adjustment. If one blade is higher or lower than the other blade, adjust the tracking immediately.

1. 調整前先在其中一支主旋翼的翼端，貼上有顏色的貼紙或畫上顏色記號，方便雙槳調整辨識。
2. 慢慢的推起油門搖桿到高點並且停止，在飛機離地前，從飛機側邊觀察主旋翼轉動。
3. 仔細觀察旋翼軌跡（假如兩支旋翼移動都是相同軌跡，則不需要調整；可是如果一支旋翼較高或較低產生“雙槳”的情形時，則必須立刻調整軌跡）。

- A. When rotating, the blade with higher path means the pitch too big. Please shorten DFC ball link for regular trim.
B. When rotating, the blade with lower path means the pitch too small. Please lengthen DFC ball link for regular trim.

- A. 旋翼轉動時較高軌跡的主旋翼表示螺距 (PITCH) 過大，請調 DFC 連桿頭修正。
B. 旋翼轉動時較低軌跡的主旋翼表示螺距 (PITCH) 過小，請調 DFC 連桿頭修正。



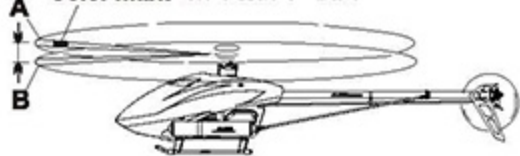
Tracking adjustment is very dangerous, so please keep away from the helicopter at a distance of at least 10m.

調整軌跡非常危險，請於距離飛機最少 10 公尺的距離。

Incorrect tracking may cause vibrations. Please repeat adjusting the tracking to make sure the rotor is correctly aligned. After tracking adjustment, please check the pitch angle is approx. 5° when hovering.

不正確的旋翼軌跡會導致震動，請不斷重複調整軌跡，使旋翼軌跡精準正確。在調整軌跡後，確認一下 Pitch 角度在停旋時應為大約 5°。

Color mark 有標示記號的主旋翼



FLIGHT ADJUSTMENT AND NOTICE 飛行調整與注意

- ⊙ During the operation of the helicopter, please stand approximately 10m diagonally behind the helicopter.
- ⊙ 飛行時，請站在直昇機後方 10 公尺。



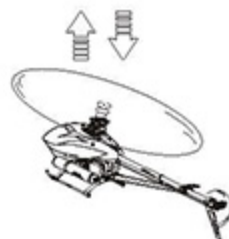
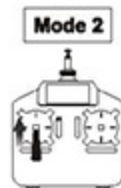
- ⊙ Make sure that no one or obstructions in the vicinity.
- ⊙ For flying safety, please carefully check if every movement and directions are correct when hovering.
- ⊙ 確認鄰近地區沒有人和障礙物。
- ⊙ 為了飛行安全，您必須先確認停懸時各項操縱動作是否正常。



Do not attempt until you have some experiences with the operation of helicopter.
嚴禁無熟練操縱飛行經驗者操縱飛行。

STEP 1 THROTTLE CONTROL PRACTICE 油門控制練習

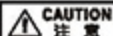
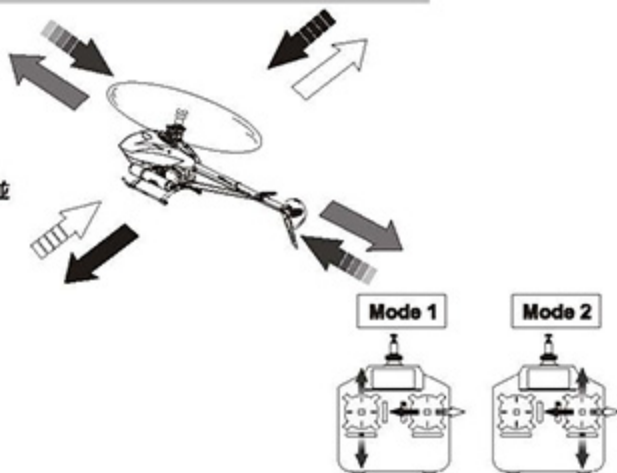
- ⊙ When the helicopter begins to lift-off the ground, slowly reduce the throttle to bring the helicopter back down. Keep practicing this action until you control the throttle smoothly.
- ⊙ 當直昇機開始離地時，慢慢降低油門將飛機降下。持續練習飛機從地上升和下降直到你覺得油門控制很順。



STEP 2 AILERON AND ELEVATOR CONTROL PRACTICE 副翼和升降控制練習

1. Raise the throttle stick slowly.
2. Move the helicopter in any direction back, forward, left and right, slowly move the aileron and elevator sticks in the opposite direction to fly back to its original position.

1. 慢慢升起油門搖桿。
2. 使直昇機依指示：移動向後/向前/向左/向右，慢慢的反向 移動副翼和升降搖桿並將直昇機開回到原來位置。

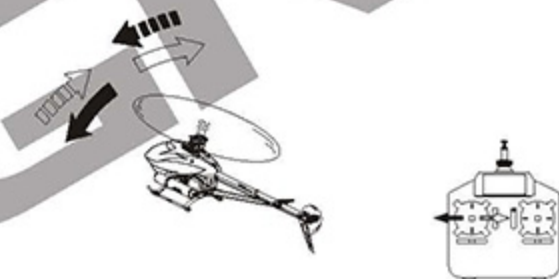


- ⊙ If the nose of the helicopter moves, please lower the throttle stick and land the helicopter. Then move your position diagonally behind the helicopter 10m and continue practicing.
- ⊙ If the helicopter flies too far away from you, please land the helicopter and move your position behind 10m and continue practicing.
- ⊙ 當直昇機機頭偏移時，請降低油門並且降落，然後移動自己的位置到直昇機的正後方10公尺再繼續練習。
- ⊙ 假如直昇機飛離你太遠，請先降落直昇機，並到直昇機後10公尺再繼續練習。

STEP 3 RUDDER CONTROL PRACTICING 方向舵操作練習

1. Slowly raise the throttle stick.
2. Move the nose of the helicopter to right or left, and then slowly move the rudder stick in the opposite direction to fly back to its original position.

1. 慢慢升起油門搖桿。
2. 將直昇機機頭移動左或右，然後慢慢反向移動方向舵搖桿並將直昇機飛回原本位置。



STEP 4

After you are familiar with all actions from Step1 to 3, draw a circle on the ground and practice within the circle to increase your accuracy.

- ⊙ You can draw a smaller circle when you get more familiar with the actions.

當您覺得 step1~3 動作熟悉了，在地上畫圈並在這個圈內的範圍內練習飛行，以增加您操控的準確度。

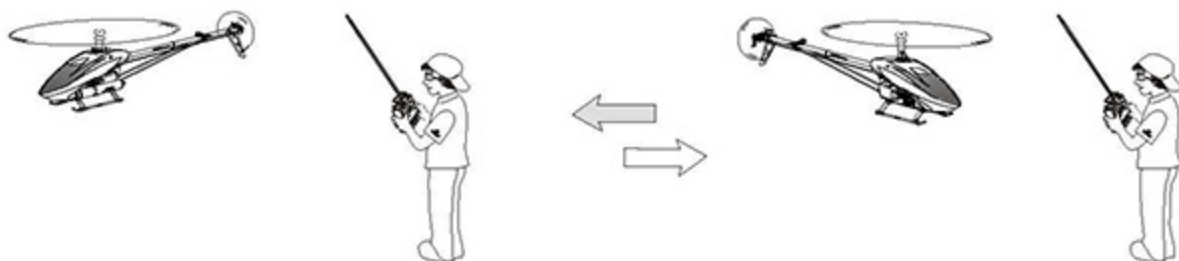
- ⊙ 當您更加習慣操作動作，您可以畫更小的圈。



STEP 5 DIRECTION CHANGE AND HOVERING PRACTICE 改變直昇機方向和練習停懸

After you are familiar with Step1 to 4, stand at side of the helicopter and continue practicing Step1 to 4. Then repeat the Step1 to 4 by standing in front of the helicopter.

當您覺得 step1~4 動作熟悉了，站在面對直昇機側邊並繼續練習 step1~4。之後，站在直昇機機頭前方重複步驟練習。



	Problem 狀況	Cause 原因	Solution 對策
Blade Tracking 雙槳平衡	Tracking is Off 雙槳	Pitch linkage rods are not even length PITCH連桿長度調整不平均	Adjust length of DFC ball link. 調整DFC連桿頭長度
Hover 停懸	Head speed too low 主旋翼轉速偏低	Excessive pitch 主旋翼的PITCH偏高	Adjust DFC ball link to reduce pitch by 4 to 5 degrees. Hovering headspeed should be around 1700~1800RPM. 調整DFC連桿頭調低Pitch約+4~5度 (停懸時主旋翼轉速為約1700~1800RPM)
		Hovering throttle curve is too low 停懸點油門曲線過低	Increase throttle curve at hovering point on transmitter (around 60%) 調高停懸點油門曲線(約60%)
	Head speed too high 主旋翼轉速偏高	Not enough pitch 主旋翼的PITCH偏低	Adjust DFC ball link to increase pitch by 4 to 5 degrees. Hovering headspeed should be around 1700~1800RPM. 調整DFC連桿頭調高Pitch約+4~5度 (停懸時主旋翼轉速為約1700~1800RPM)
		Hovering throttle curve is too high 停懸點油門曲線過高	Decrease throttle curve at hovering point on transmitter (around 60%) 調低停懸點油門曲線(約60%)
Rudder Response 尾舵反應	Drifting of tail occurs during hovering, or delay of rudder response when centering rudder stick. 停懸時尾翼向某一邊偏移，或撥動方向舵並回復到中立點時，尾翼產生延遲，無法停頓在所控制位置上。	Rudder neutral point improperly set 尾中立點設定不當	Reset rudder neutral point 重設尾中立點
	Tail oscillates (hunting, or wags) at hover or full throttle 停懸或全油門時尾翼左右來回搖擺。	Rudder gyro gain too low 尾舵陀螺儀感度偏低	Increase rudder gyro gain 增加尾舵陀螺儀感度
		Rudder gyro gain too high 尾舵陀螺儀感度偏高	Reduce rudder gyro gain 降低尾舵陀螺儀感度
Oscillation during flight 飛行抖動	Elevator and aileron action causes helicopter to oscillate forward/backward or left/right. 升降舵、副翼舵打舵動作時，機體前後或左右抖動	Swashplate gain in flight parameters is too high, causing oscillation. 飛行參數中的十字盤感度感度偏高，產生盪盪現象	Lower swashplate gain. 將十字盤感度調低
	Helicopter front bobbles (nods) during forward flight. 直線飛行時，機頭點頭	Worn servo, or slack in control links 伺服器老化，控制結構有虛位	Replace servo, ball link, or linkage balls. 更換伺服器、連桿頭、球頭
Drifting during flight 飛行飄移	Helicopter pitches up during forward flight or aileron input causes helicopter to drift 直線飛行機頭上揚或副翼動作飄移	Swashplate gain in flight parameter is too low. 飛行參數中的十字盤感度感度偏低	Increase swashplate gain. 將十字盤感度調高
Control Response 動作反應	Slow Forward/Aft/Left/Right input response 前後左右飛行動作反應偏慢	Flying style or flight response setting or Flight Parameter is too low. 飛行參數中的飛行風格或飛行反應偏低	Increase flying style or flight response. 調高飛行風格或飛行反應
	Sensitive Forward/Aft/Left/Right input response 前後左右飛行動作反應偏快	Flying style of flight response or Flight Parameter is too high. 飛行參數中的飛行風格或飛行反應偏高	Lower flying style or flight response. 調低飛行風格或飛行反應

If above solution does not resolve your issues, please check with experienced pilots or contact your Align dealer.

※在做完以上調整後，仍然無法改善情況時，應立即停止飛行並向有經驗的飛手諮詢或連絡您的經銷商。

- Q&A 1** Gpro cannot power up after power is applied?
 (1) Check if transmitter and helicopter power are on.
 (2) Check for proper power to system, and working power cable between Gpro and receiver.
 (3) Check if proper receiver type selected.
 (4) Check if elevator/aileron channels neutral point is 0 in Gpro's "transmitter and receiver" setting.
 (5) Ensure there are no movement during Gpro's Initializing process.

Gpro 接電後 Gpro 無法啟動？

- (1) 檢查發射機及直昇機電源是否開啟。
 (2) 檢查系統電源是否正常，Gpro 與接收器之間電源線是否正確連接。
 (3) 檢查接收器類型是否選擇正確。
 (4) 檢查 Gpro "遙控器與接收器" 設定，升降、副翼頻道中立點是否為 0。
 (5) 注意 Gpro 啟動時機必須保持靜止，陀螺穩定後 Gpro 才可以啟動。

- Q&A 2** Incorrect swashplate movement after setting up Gpro.
 (1) Check if transmitter is set to H-1(1-Servo-Normal) traditional swashplate type.
 (2) Check "Swashplate Type" on Gpro is set correctly.
 (3) Check for correct swashplate servo direction.
 (4) Check for correct swashplate servo channel sequence.

Gpro 完成設定後，十字盤動作不正確？

- (1) 檢查遙控器是否有選擇 H-1(1-Servo-Normal) 傳統十字盤模式。
 (2) 檢查 Gpro "十字盤類型" 是否有選擇正確。
 (3) 檢查十字盤伺服機方向設定正確。
 (4) 檢查十字盤伺服機接線順序正確。

- Q&A 3** Helicopter cannot maintain level plane during pirouetting or helicopter tilting forward/back/left/right during takeoff?
 Please re-adjust swashplate level.

直昇機尾舵自旋時盤面不平或起飛時直昇機有左右或前後傾斜現象？
 請重新調整十字盤水平。

- Q&A 4** Helicopter tilts forward/back during vertical ascend/descend?
 Please adjust the "Collective Pitch Elevator Compensation" option in Flight Parameters. If helicopter's tail dips down when elevator is pulled hard up, this setting can also be adjusted. The more the tail dips, the larger the compensation value.

直昇機直上直下時有前或後傾現象？

請調整飛行參數頁面的 "集體螺距升降舵補償"，直昇機急拉向上如果尾巴有下垂現象，可以調整此值，下垂越嚴重，數值需調越大。

- Q&A 5** Helicopter drifts during flight?
 (1) Increase the "Swashplate Gain" in Flight Parameters.
 (2) Check if the swashplate servos are too slow (recommended spec calls for servo speed within 0.08sec/60degree).

(3) Note: Only digital servos are supported by Gpro.

直昇機飛行時有飄移現象？

- (1) 將飛行參數頁面的 "十字盤感度" 調高。
 (2) 檢查推動十字盤的伺服器是否過慢。(建議選擇動作速度 0.08sec/60 度以內的規格)
 (3) 注意：Gpro 只支援數位伺服機。

- Q&A 6** Unstable hover, oversensitive control effect?
 (1) Try using the "Recommended Beginner Parameters" option in flight parameter.
 (2) Lower the "Flying Style" and "Flight Response" parameter in flight parameter menu.

停懸時不穩定，有動作過靈敏現象？

- (1) 可選用飛行參數頁面的 "初學者建議參數"。
 (2) 將飛行參數頁面的 "飛行風格" 與 "飛行反應" 數值調低。

- Q&A 7** Incorrect helicopter swashplate and rudder compensation direction?
 (1) Check Gpro Installation position setting is set correctly.
 (2) Check proper channel sequence of the swash plate servos.

直昇機十字盤與尾舵修正方向錯誤？

- (1) 檢查 Gpro 的陀螺儀安裝位置設定是否正確。
 (2) 檢查十字盤伺服機接線順序是否正確。

- Q&A 8** Can parameters be adjusted through Bluetooth during flight?
 No. As a safety precaution, Gpro will disable ESC when entering parameter setting mode. If adjustment to Gpro is done through Bluetooth prior to flight, Gpro needs to be power cycled before flying again.

是否可以飛行時用藍牙傳輸器調整參數？

不行，進入參數設定時，為了安全考量，Gpro 會關閉電子變速器。在飛行前使用藍牙傳輸器調整 Gpro 後，必須重新接電才能飛行。

- Q&A 9** No response when adjusting rudder gain, as if rudder is not compensating.
 Check correct setting on rudder gain channel.

調整尾舵感度，沒有反應，尾舵沒有修正動作。

檢查尾舵感度頻道是否設定正確。

- Q&A 10** Spring action after pirouetting.
 (1) Check overall rudder system, and if there are sufficient left/right travel on rudder.
 (2) Insufficient rudder gain. Increase gain until there are slight hunting on the rudder, then slightly back off the gain until ideal feel is achieved.

尾舵自旋停止時有回彈現象。

- (1) 檢查尾舵機構及左右行程是否足夠。
 (2) 尾舵感度不足，調高尾舵感度調至有追蹤現象，再稍往回調低感度至理想感度。

ALIGN

Specifications & Equipment/規格配備:

Length/機身長:1361mm

Height/機身高:385mm

Main Blade Length/主旋翼長:700mm

Main Rotor Diameter/主旋翼直徑:1582mm

Tail Rotor Diameter/尾旋翼直徑:281mm

Engine Pinion Gear/引擎主齒:14T

Autorotation Tail Drive Gear/尾驅動主齒:104T

Drive Gear Ratio/齒輪傳動比:8:1:4.95(E:M:T)

Fuel Tank Capacity /油箱容量:660cc.

Flying Weight/全配重:Approx. 4.2kg

