

**Super Combo** DOMINATOR

**ALIGN**

**TREX 700XP**

**INSTRUCTION MANUAL**

**使用說明書**

RH70E28XT



### Contents

1	INTRODUCTION 前言
1-2	SAFETY NOTES 安全注意事項
3	EQUIPMENT REQUIRED FOR ASSEMBLY 自備設備
3	PACKAGE ILLUSTRATION 包裝說明
4	MODEL STANDARD EQUIPMENT DIFFERENCE 標準配備版本說明
5	SAFETY CHECK BEFORE FLYING 飛行前安全檢查重要事項
6~17	ASSEMBLY SECTION 組裝說明
18	EQUIPMENT INSTALLATION 各項設備配置圖
18	BATTERY INSTALLATION ILLUSTRATION 電池安裝示意圖
19	CANOPY ASSEMBLY 機頭罩安裝
20	ELECTRIC EQUIPMENT ILLUSTRATION 電子設備建議配置圖示
20~21	MICROBEAST PLUS FLYBARLESS MANUAL 無平衡翼系統使用說明
22	SERVO SETTING AND ADJUSTMENT 伺服器設定調整
22	ADJUSTMENTS FOR GYRO AND TAIL NEUTRAL SETTING 陀螺儀與尾翼中立點設定調整
23	PITCH AND THROTTLE SETTING 主旋翼螺距與油門設定
24	POWER COLLOCATION REFERENCE 原裝動力數據參考表
25~27	FLIGHT ADJUSTMENT AND SETTING 飛行動作調整與設定
28	TROUBLESHOOTING 飛行中狀況排除

**Extraordinary  
Perfection**



Power is Beauty



BEASTX

**MICROBEAST PLUS**

6-AXIS MEMS SENSOR SYSTEM FOR RC-MODELS

Thank you for purchasing Align products. Please read the manual carefully before installing and be sure to retain the manual for future reference. All pictures shown are for illustration purpose only. Actual product may vary due to product enhancement. Specifications, contents of parts and availability are subject to change, ALIGN RC is not responsible for inadvertent errors in this publications.




承蒙閣下選用亞拓遙控世界系列產品，謹表謝意。使用前，請務必詳閱本說明書，相信一定能夠給您帶來相當大的幫助，也請您妥善保管這本說明書，以做為日後參考。本公司將不對此印刷物之異動負責，也無法主動通知消費者任何更新或異動。所有圖片僅用於展示目的。產品可能因改良而有些不同。本說明書內記載的材質、規格或零件包裝之內容物如有異動，請依亞拓官網公告為主。



Thank you for buying ALIGN Products. The T-REX 700XP Dominator Helicopter is designed as an easy to use, full featured Helicopter R/C model capable of all forms of rotary flight. Please read the manual carefully before assembling the model, and follow all precautions and recommendations located within the manual. Be sure to retain the manual for future reference, routine maintenance, and tuning. The T-REX 700XP Dominator is a new product developed by ALIGN. It features the best design available on the Micro-Heli market to date, providing flying stability for beginners, full aerobatic capability for advanced fliers, and unsurpassed reliability for customer support.

感謝您選購亞拓產品，為了讓您容易方便的使用 T-REX 700XP Dominator 直昇機，請您詳細的閱讀完這本說明書之後再進行組裝以及操作這台直昇機，同時請您妥善的保存這本說明書，作為日後進行調整以及維修的參考。T-REX 700XP Dominator 是由亞拓自行研發的新產品，不論您是需求飛行穩定性的初學者或是追求性能的飛行愛好者，T-REX 700XP Dominator 將是您最佳的選擇。

### WARNING LABEL LEGEND 標誌代表涵義

 FORBIDDEN 禁止	<b>Do not attempt under any circumstances.</b> 在任何禁止的環境下，請勿嘗試操作。
 WARNING 警告	<b>Mishandling due to failure to follow these instructions may result in damage or injury.</b> 因為疏忽這些操作說明，而使用錯誤可能造成財產損失或嚴重傷害。
 CAUTION 注意	<b>Mishandling due to failure to follow these instructions may result in danger.</b> 因為疏忽這些操作說明，而使用錯誤可能造成危險。

### IMPORTANT NOTES 重要聲明

R/C helicopters, including the T-REX 700XP Dominator are not toys. R/C helicopter utilize various high-tech products and technologies to provide superior performance. Improper use of this product can result in serious injury or even death. Please read this manual carefully before using and make sure to be conscious of your own personal safety and the safety of others and your environment when operating all ALIGN products. Manufacturer and seller assume no liability for the operation or the use of this product. This product is intended for use only by adults with experience flying remote control helicopters at a legal flying field. After the sale of this product we cannot maintain any control over its operation or usage.

As the user of this product, you are solely responsible for operating it in a manner that does not endanger yourself and others or result in damage to the product or the property of others.

T-REX 700XP Dominator 遙控直昇機並非玩具，它是結合了許多高科技產品所設計出來的休閒用品，所以商品的使用不當或不熟悉都可能會造成嚴重傷害甚至死亡，使用之前請務必詳讀本說明書，勿輕忽並注意自身安全。注意！任何遙控直昇機的使用，製造商和經銷商是無法對使用者於零件使用的損耗異常或組裝不當所發生之意外負任何責任，本產品是提供給有操作過模型直昇機經驗的成人或有相當技術的人員在旁指導於當地合法遙控飛行場飛行，以確保安全無虞下操作使用，產品售出後本公司將不負任何操作和使用控制上的任何性能與安全責任。

做為本產品的使用者，您，是唯一對於您自己操作的環境及行為負全部的責任之人。

We recommend that you obtain the assistance of an experienced pilot before attempting to fly our products for the first time. A local expert is the best way to properly assemble, setup, and fly your model for the first time. The T-REX 700XP Dominator requires a certain degree of skill to operate, and is a consumer item. Any damage or dissatisfaction as a result of accidents or modifications are not covered by any warranty and cannot be returned for repair or replacement. Please contact our distributors for free technical consultation and parts at discounted rates when you experience problems during operation or maintenance. As Align Corporation Limited has no control over use, setup, final assembly, modification or misuse, no liability shall be assumed nor accepted for any resulting damage or injury. By the act of use, setup or assembly, the user accepts all resulting liability.

模型商品屬於需高操作技術且為消耗性之商品，如經拆裝使用後，會造成不等情況零件損耗，任何使用情況所造成商品不良或不滿意，將無法於保固條件內更換新品或退貨，如遇有使用操作維修問題，本公司全省分公司或代理商將提供技術指導、特價零件供應服務。對使用者的不當使用、設定、組裝、修改、或操作不良所造成的破損或傷害，本公司無法控制及負責。任何使用、設定、組裝、修改、或操作不良所造成的破損、意外或傷害，使用者應承擔全部責任。

### 2. SAFETY NOTES 安全注意事項

 CAUTION 注意	<ul style="list-style-type: none"> <li>· Fly only in safe areas, away from other people. Do not operate R/C aircraft within the vicinity of homes or crowds of people. R/C aircraft are prone to accidents, failures, and crashes due to a variety of reasons including, lack of maintenance, pilot error, and radio interference. Pilots are responsible for their actions and damage or injury occurring during the operation or as of a result of R/C aircraft models.</li> <li>· Prior to every flight, carefully check rotorhead spindle shaft screws and tail blade grip screws, linkage balls and screws, ensure they are firmly secured.</li> <li>· 遙控模型飛機、直昇機屬高危險性商品，飛行時務必遠離人群，人為組裝不當或機件損壞、電子控制設備不良，以及操控上的不熟悉、都有可能導致飛行失控損傷等不可預期的意外，請飛行者務必注意飛行安全，並需了解自負疏忽所造成任何意外之責任。</li> <li>· 每趟飛行前須仔細檢查，主旋翼夾座橫軸螺絲、尾旋翼夾座螺絲，以及機身各部位球頭、螺絲，確實上膠鎖緊才能升空飛行。</li> </ul>
--	--





## LOCATE AN APPROPRIATE LOCATION 遠離障礙物及人群

R/C helicopters fly at high speed, thus posing a certain degree of potential danger. Choose a legal flying field consisting of flat, smooth ground without obstacles. Do not fly near buildings, high voltage cables, or trees to ensure the safety of yourself, others and your model. For the first practice, please choose a legal flying field. Do not fly your model in inclement weather, such as rain, wind, snow or darkness.

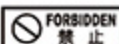
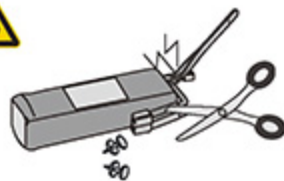
直昇機飛行時具有一定的速度，相對的也潛在著危險性，場地的選擇也相對的重要，請遵守當地法規到合法遙控飛行場地飛行。務必選擇在空曠合法專屬飛行場地，並必須注意周邊是否有人、高樓、建築物、高壓電線、樹木等等，避免操控的不當造成自己與他人財產的損壞。請勿在下雨、打雷等惡劣天候下操作，以確保本身及機體的安全。



## NOTE ON LITHIUM POLYMER BATTERIES 鋰聚電池注意事項

Lithium Polymer batteries are significantly more volatile than alkaline or Ni-Cd/Ni-MH batteries used in RC applications. All manufacturer's instructions and warnings must be followed closely. Mishandling of Li-Po batteries can result in fire. Always follow the manufacturer's instructions when disposing of Lithium Polymer batteries.

鋰聚電池一般在RC使用的鹼性電池、鎳鎘電池、鎳氫電池比較起來是相對危險的。請嚴格遵守鋰聚電池說明書之使用注意事項。不當使用鋰聚電池，可能造成火災並危及生命財產安全，切勿大意！



## PREVENT MOISTURE 遠離潮濕環境

R/C models are composed of many precision electrical components. It is critical to keep the model and associated equipment away from moisture and other contaminants. The introduction or exposure to water or moisture in any form can cause the model to malfunction resulting in loss of use, or a crash. Do not operate or expose to rain or moisture.

直昇機內部也是由許多精密的電子零組件組成，所以必須絕對的防止潮濕或水氣，避免在浴室或雨天時使用，防止水氣進入機身內部而導致機件及電子零件故障而引發不可預期的意外！



## PROPER OPERATION 勿不當使用本產品

Please use the replacement of parts on the manual to ensure the safety of instructors. This product is for R/C model, so do not use for other purpose.

請勿自行改造加工，任何的升級改裝或維修，請使用亞拓產品目錄中的零件，以確保結構的安全。請確認於產品限內操作，請勿過載使用，並勿用於安全、法令外其它非法用途。



## OBTAIN THE ASSISTANCE OF AN EXPERIENCED PILOT 避免獨自操控

Before turning on your model and transmitter, check to make sure no one else is operating on the same frequency. Frequency interference can cause your model, or other models to crash. The guidance provided by an experienced pilot will be invaluable for the assembly, tuning, trimming, and actual first flight or unforeseen danger may happen. (Recommend you to practice with computer-based flight simulator.)

至飛行場飛行前，需確認是否有相同頻率的同好正進行飛行，因為開啓相同頻率的發射器將導致自己與他人立即干擾等意外危險。遙控飛機操控技巧在學習初期有著一定的難度，要盡量避免獨自操作飛行，需有經驗的人士在旁指導，才可以操控飛行，否則將可能造成不可預期的意外發生。(動線電腦模擬器及老手指導是入門必要的選擇)



## SAFE OPERATION 安全操作

Make sure to always be aware to keep your eyes and body away from blades rotation. Do not attempt to grab or make contact with the helicopter while the main blades are in motion. During take-off, landing, and flight, be sure to keep the helicopter away from all obstacles. Operators must stand at least 10 meters away from the helicopter. Never take your eyes off the model or leave it unattended while it is turned on, and immediately turn off the model and transmitter when you have landed the model. Operate this unit within your ability, do not fly under tired condition, improper operation may cause in danger, and always to avoid injury caused by loose parts due to improper assembly or any unforeseen dangers.

請隨時注意，無論在任何時候，都不能將旋轉中的旋翼對著眼睛，嚴禁用手抓取運行中的直昇機，當主旋翼轉動後，或起飛/試飛時，務必遠離障礙物，站立位置必距離5公尺以上，不可在視線範圍外進行飛行，降落後也請馬上關掉直昇機和遙控器電源。操作這台直昇機需要一定操控技術及能力，避免因人為組裝不當造成零件脫落，而引發不可預期的財物及人員損傷，並請衡量自身情況，過於疲勞、精神不佳或不當操作，都可能引誘不可預期的意外發生。



## ALWAYS BE AWARE OF THE ROTATING BLADES 遠離旋轉中零件

During the operation of the helicopter, the main rotor and tail rotor will be spinning at a high rate of speed. The blades are capable of inflicting serious bodily injury and damage to the environment. Be conscious of your actions, and careful to keep your face, eyes, hands, and loose clothing away from the blades. Always fly the model a safe distance from yourself and others, as well as surrounding objects.

直昇機主旋翼與尾旋翼旋轉時會以高轉速下進行，在高轉速下的旋翼會造成自己與他人在身體上或環境上的嚴重損傷，請勿觸摸旋轉中的主旋翼與尾旋翼，並保持安全距離以避免造成危險及損壞。



## KEEP AWAY FROM HEAT 遠離熱源

R/C models are made of various forms of plastic. Plastic is very susceptible to damage or deformation due to extreme heat and cold climate. Make sure not to store the model near any source of heat such as an oven, or heater. It is best to store the model indoors, in a climate-controlled, room temperature environment.

遙控飛機多半是以 PA 纖維或聚乙烯、電子商品為主要材質，因此要盡量遠離熱源、日曬，以避免因高溫而變形甚至熔毀損壞的可能。





#### RADIO TRANSMITTER AND ELECTRONIC EQUIPMENT REQUIRED FOR ASSEMBLY

自備遙控及電子設備



**Transmitter (7-channel or more, Helicopter system)**  
發射器 (七動以上直昇機模式遙控器)



or  
或



**Intelligent Balance Charger RCC-6CX**  
智慧型分壓充電器 RCC-6CX

**RCC-300 Battery Charger**  
RCC-300 充電器



or  
或



**Receiver (7-channel or more)**  
接收器 (七動以上)

**Remote Receiver**  
衛星天線



**22.2V 6S 4500~5200mAh Li-Po Battery x 2 pcs**  
22.2V 6S 4500~5200mAh Li-Po 電池 x 2

#### ADDITIONAL TOOLS REQUIRED FOR ASSEMBLY 自備工具



**[H70118]**  
**Swashplate Leveler**  
十字盤校正器



**[HET80001]**  
**AP800 Digital Pitch Gauge**  
AP800 數位螺距規



**[HETMT901]**  
**Multi-function Tester**  
多功能檢測計



**Phillips Screw Driver**  
十字螺絲起子  
φ 3.0 / φ 1.8mm



**Cutter Knife**  
刀子



**Hexagon Screw Driver**  
六角螺絲起子  
3mm/2.5mm/  
2mm/1.5mm



**Needle Nose Pliers**  
尖嘴鉗



**Oil**  
潤滑油



**CA Glue**  
瞬間膠



**Grease**  
潤滑油

#### 4. PACKAGE ILLUSTRATION 包裝說明

**700 Carbon Fiber Blades x 1set**  
700 碳纖維主旋翼 x 1 組

**700FLT6**  
**Carbon Fiber Tail Boom x 1**  
碳纖維尾管 x 1

700HB19  
700HB18  
800HB5  
700HT  
700FLH12  
700FLH13

**Microbeast PLUS**  
**Flybarless System x 1**  
無平衡翼系統 x 1

**850MX (490KV/4535) Motor x 1**  
850MX (490KV/4535) 無刷馬達 x 1

**DS820M High Voltage Brushless Servo x 3**  
DS820M 高電壓無刷伺服器 x 3

**DS825M High Voltage Brushless Servo x 1**  
DS825M 高電壓無刷伺服器 x 1

**Castle Edge HV 160 Brushless ESC x 1**  
Castle Edge HV 160 無刷調速器 x 1

**Servo Extension Cable x 2**  
伺服器延長線 x 2

**Quick Finder**  
零件快速購



Canopy

機頭罩





















700HB17  
700EFLZ  
700HG3



There are many versions of T-REX 700XP Dominator for your choice. The Super Combo includes additional electronics and other equipment. The Instruction Manual will refer to the T-REX 700XP Dominator Super Combo. You may purchase any additional items referenced in the instruction manual or any spare parts for other 700XP Dominator version by referring to more product information in this manual.

T-REX 700XP Dominator 系列商品有多種版本可作為選擇，除標準配備會因您購買的商品版本而有些微不同，在組裝、設定上都是一致的，在此我們以 Super Combo 作為操作範例，您也可依照書面上的商品資訊來增添其他選購商品。



T-REX 700XP DOMINATOR SUPER COMBO STANDARD EQUIPMENT					T-REX 700XP DOMINATOR SUPER COMBO 標準配備 [RH70E28XT]					
 700HC7	 700FLH	 700HB17	 700HB11B	 700HB19	 700HB18	 800HB5	 700HG3	 700HT17	 700HT	 700EFLZ
 700FLT6	 Repair Towel x 1 維修桌巾 X 1		 700 Carbon Fiber Blades x 1set 700 碳纖維主旋翼 x 1組		 Castle Edge HV 160 ESC x 1 Castle Edge HV 160 無刷機運器 x 1					
 Microbeast PLUS Flybarless System x 1 無平衡翼系統 x 1	 DS825M High Voltage Brushless Servo x 1 DS825M 高電壓無刷伺服器 x 1	 DS820M High Voltage Brushless Servo x 3 DS820M 高電壓無刷伺服器 x 3		 M4x4 Set Screw x 2 M4x4 止洩螺絲 x 2 Motor Slant Thread Pinion Gear 13T x 1 馬達斜齒輪 13T x 1	 RCM-BL850MX Brushless Motor (490KV/453S) x 1 RCM-BL850MX 無刷馬達 (490KV/453S) x 1					



## CAREFULLY INSPECT BEFORE REAL FLIGHT 請嚴格執行飛行前之檢查義務

- Before flying, please check to make sure no one else is operating on the same frequency for the safety.
  - Before flight, please check if the batteries of transmitter and receiver are enough for the flight.
  - Before turn on the transmitter, please check if the throttle stick is in the lowest position. IDLE switch is OFF.
  - When turn off the unit, please follow the power on/off procedure. Power ON- Please turn on the transmitter first, and then turn on receiver. Power OFF- Please turn off the receiver first and then turn off the transmitter. Improper procedure may cause out of control, so please to have this correct habit.
  - Before operation, check every movement is smooth and directions are correct. Carefully inspect servos for interference and broken gear.
  - Check for missing or loose screws and nuts. See if there is any cracked and incomplete assembly of parts. Carefully check main rotor blades and rotor holders. Broken and premature failures of parts possibly cause a dangerous situation.
  - Check all ball links to avoid excess play and replace as needed. Failure to do so will result in poor flight stability.
  - Check if the battery and power plug are fastened. Vibration and violent flight may cause the plug loose and result in out of control.
- 每次飛行前應先確認所使用的頻率是否會干擾他人，以確保您自身與他人的安全。
  - 每次飛行前確定您發射器與接收器電池的電量是在足夠飛行的狀態。
  - 開機前確認油門搖桿是否位於最低點，熄火降落開關，定速開關(IDLE)是否於關閉位置。
  - 關機時必須遵守電源開關機的程序，開機時應先開啟發射器後，再開啟接收器電源；關機時應先關閉接收器後，再關閉發射器電源。不正確的開關程序可能會造成失控的現象，影響自身與他人的安全，請養成正確的習慣。
  - 開機請先確定直昇機各個動作是否順暢，及方向是否正確，並檢查伺服器的動作是否有干涉或崩齒的情形，使用故障的伺服器將導致不可預期的危險。
  - 飛行前確認沒有缺少或鬆脫的螺絲與螺帽，確認沒有組裝不完整或損毀的零件，仔細檢查主旋翼是否有損壞，特別是接近主旋翼夾座的部位。損壞或組裝不完整的零件不僅影響飛行，更會造成不可預期的危險。注意：每次飛行前的安全檢查、保養、及更換損耗零件，請確實嚴格執行以確保安全。
  - 檢查所有的連桿頭是否有鬆脫的情形，過鬆的連桿頭應先更新，否則將造成直昇機無法操控的危險。
  - 確認電池及電源接頭是否固定牢靠，飛行中的震動或激烈的飛行，可能造成電源接頭鬆脫而造成失控的危險。

When you see the marks as below, please use relative glue or grease to ensure flying safety.

標有以下符號之組裝步驟，請配合上膠或上油，以確保鎖附零件使用之可靠度。



• CA : Apply small amount of CA Glue to fix.

瞬間膠：使用適量瞬間膠固定

• R48 : Apply small amount of Anaerobic Retainer to fix.

缺氧膠：使用適量缺氧膠固定

• T43 : Apply small amount of Thread Lock to fix.

螺絲膠：使用適量螺絲膠

• OIL : Add small amount of OIL.

潤滑油：添加適量潤滑油

• Grease : Add small amount of Grease.

潤滑油：添加適量潤滑油

When assembling ball links, make sure the "A" character faces outside.

各項塑膠製連桿頭扣接時，"A"字請朝外。



Keep plastic parts away from heat.

塑膠件避免接近熱源。



CA Glue  
瞬間膠



Anaerobic Retainer  
缺氧膠



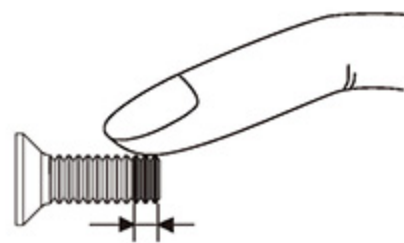
Thread Lock  
螺絲膠



Grease  
潤滑油



Oil  
潤滑油



T43 Glue width : approx. 1mm  
T43上膠寬度約1mm

- Anaerobic Retainer (R48) is green penetrating threadlocker and is used to fix the metal tube before assembly at temperatures up to +180°C.
- Thread Lock (T43) is blue low strength threadlocker and is applied to the small screw (threads) or metal parts before assembly to prevent loosening. Ensure to apply only a small amount and wipe surplus off. When disassembling, recommend to heat the metal joint about 15 Seconds.
- Grease is kind of lubricant additive which is applied to the one-way bearings or thrust bearing.

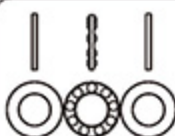
Based on parts physical attributes, please apply small amount of the relative glue or grease accordingly to prevent any parts damage or loosening or unexpected danger happened.

- 缺氧膠 (R48) 為綠色高強度快速固化的缺氧膠，適合於金屬管狀固定用，可耐高溫至 180 °C。
- 螺絲膠 (T43) 為藍色低強度螺絲膠，適合小型螺絲；使用於金屬內外徑或膠合螺絲時，請務必適量使用，必要時請用手去除去多餘膠量，欲拆卸時可於金屬接合部位熱烤約 15 秒。
- 潤滑油 (Grease) 為膏狀潤滑油，適用於單向軸承或止推軸承。

上述各類功能膠(油)請依零件屬性需求自行準備並斟酌其用量，以達到最佳組裝狀態，避免因使用不當造成零件損壞或不可預期的意外發生。



## 700FLH12



Thrust Bearing  
止推軸承 (φ 10.2x φ 18x5.5mm) x 2



Bearing  
軸承 (φ 10x φ 19x5mm) x 4



Spindle Bearing Spacer  
橫軸止推華司 (φ 10x φ 16x1mm) x 2



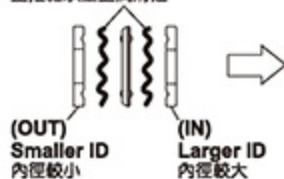
Socket Collar Screw  
圓頭內六角軸套螺絲 (M3x6mm)x4



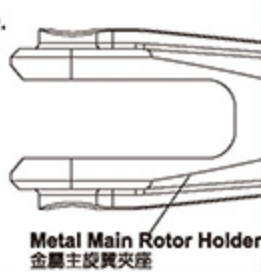
**Thrust bearing and washer for radial bearing are wear items, and thus should be inspected for replacement after every 20 flights. For flights with high headspeed, the inspection interval should be reduced to ensure flight safety.**  
止推軸承及橫軸墊圈屬於飛行消耗品，建議每20趟定期檢查及更換，高主旋翼轉速飛行時，請縮短定期檢查之趟數，以確保飛行安全。



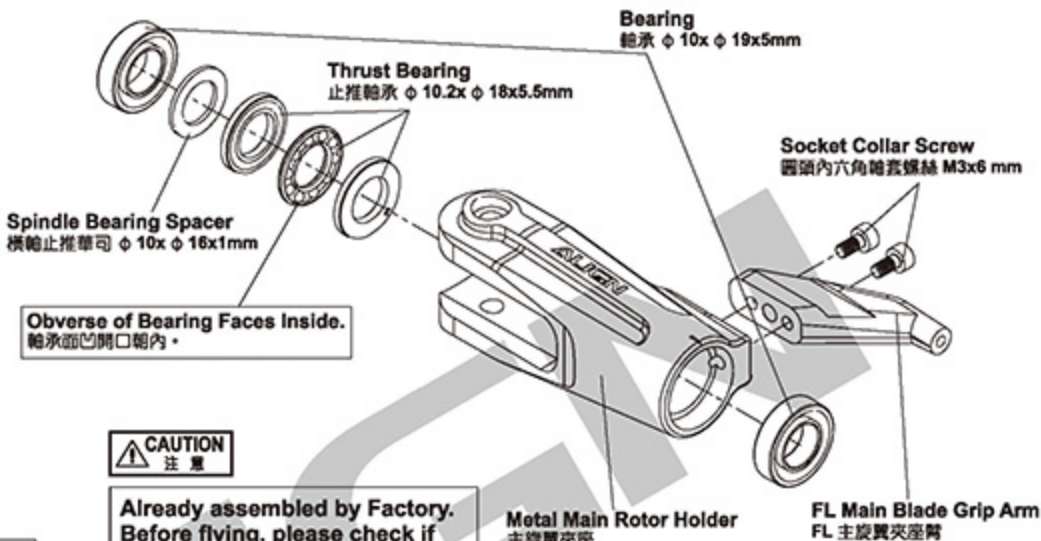
Apply Grease on Thrust Bearing.  
止推軸承塗上潤滑油



THRUST BEARING 止推軸承



Metal Main Rotor Holder  
金屬主旋翼夾座



Spindle Bearing Spacer  
橫軸止推華司 φ 10x φ 16x1mm

Obverse of Bearing Faces Inside.  
軸承面凹開口朝內。



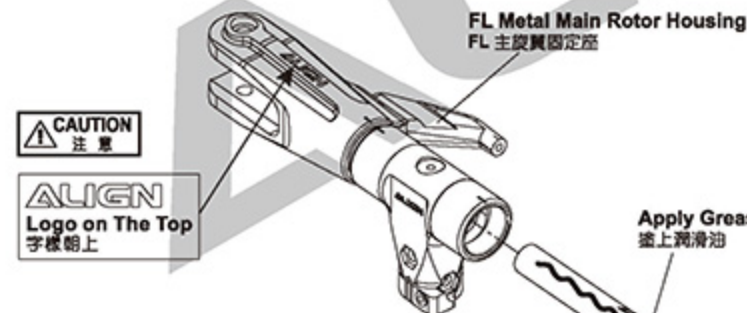
Already assembled by Factory. Before flying, please check if the screws are fixed with glue.  
原裝組裝完成品，每一次飛行前請先確認螺絲是否已上膠不會鬆動。

Metal Main Rotor Holder  
主旋翼夾座

FL Main Blade Grip Arm  
FL 主旋翼夾座臂

Apply a little amount of T43 thread lock when fixing a metal part.  
螺絲鎖附於金屬件請使用適量T43(螺絲膠)。

## 700FLH12



FL Metal Main Rotor Housing  
FL 主旋翼固定座



ALIGN  
Logo on The Top  
字樣朝上

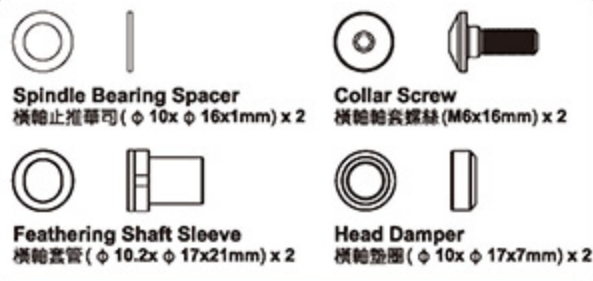
Apply Grease  
塗上潤滑油



The feathering shaft and feathering shaft socket screws are wear items, and thus should be inspected for replacement after every 100 flights. For flights with high head speed, the inspection interval should be reduced to ensure flight safety.

主旋翼橫軸組、橫軸和橫軸螺絲屬於飛行消耗品，建議每100趟定期檢查及更換，高主旋翼轉速飛行時，請縮短定期檢查之趟數，以確保飛行安全。

Apply a little amount of T43 thread lock when fixing a metal part.  
螺絲鎖附於金屬件請使用適量T43(螺絲膠)。



Spindle Bearing Spacer  
橫軸止推華司 (φ 10x φ 16x1mm) x 2

Collar Screw  
橫軸軸套螺絲 (M6x16mm) x 2

Feathering Shaft Sleeve  
橫軸套管 (φ 10.2x φ 17x21mm) x 2

Head Damper  
橫軸墊圈 (φ 10x φ 17x7mm) x 2

Head Damper  
橫軸墊圈  
φ 10x φ 17x7mm

Feathering Shaft  
橫軸  
φ 7x φ 10x106.5mm

Feathering Shaft Sleeve  
橫軸套管  
φ 10.2x φ 17x21mm

Spindle Bearing Spacer  
橫軸止推華司  
φ 10x φ 16x1mm



Please apply a little amount of glue when tightening the feathering shaft socket screws and make sure to tighten firmly, but not over tighten. Suggest to use torque wrench or torque lock for tightening screws with the torque value 20.0kg.cm.

橫軸螺絲鎖附時需注意鎖附之緊度與使用適量的螺絲膠，建議搭配扭力扳手或扭力機鎖附螺絲，鎖定扭力值為20.0kg.cm。

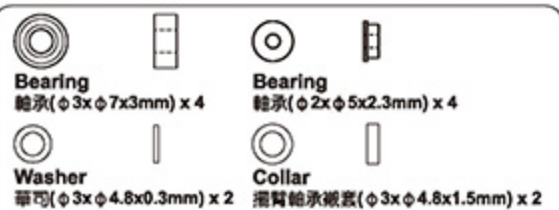


ALIGN  
Logo on The Top  
字樣朝上

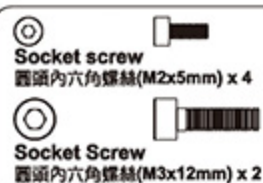
Collar Screw  
橫軸軸套螺絲  
M6x16mm



## 700FLH12



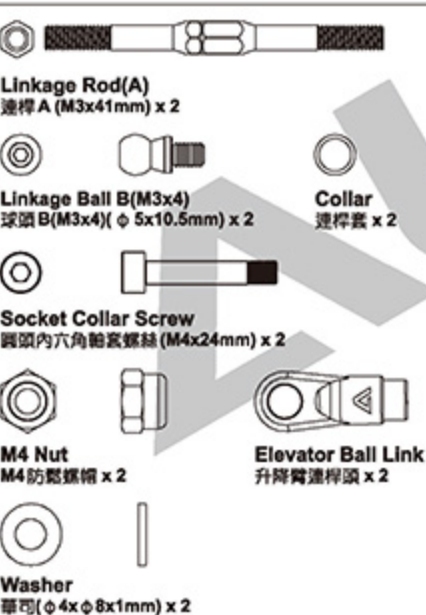
## 700FLH12A



## 700FLH13



## 700FLH12A



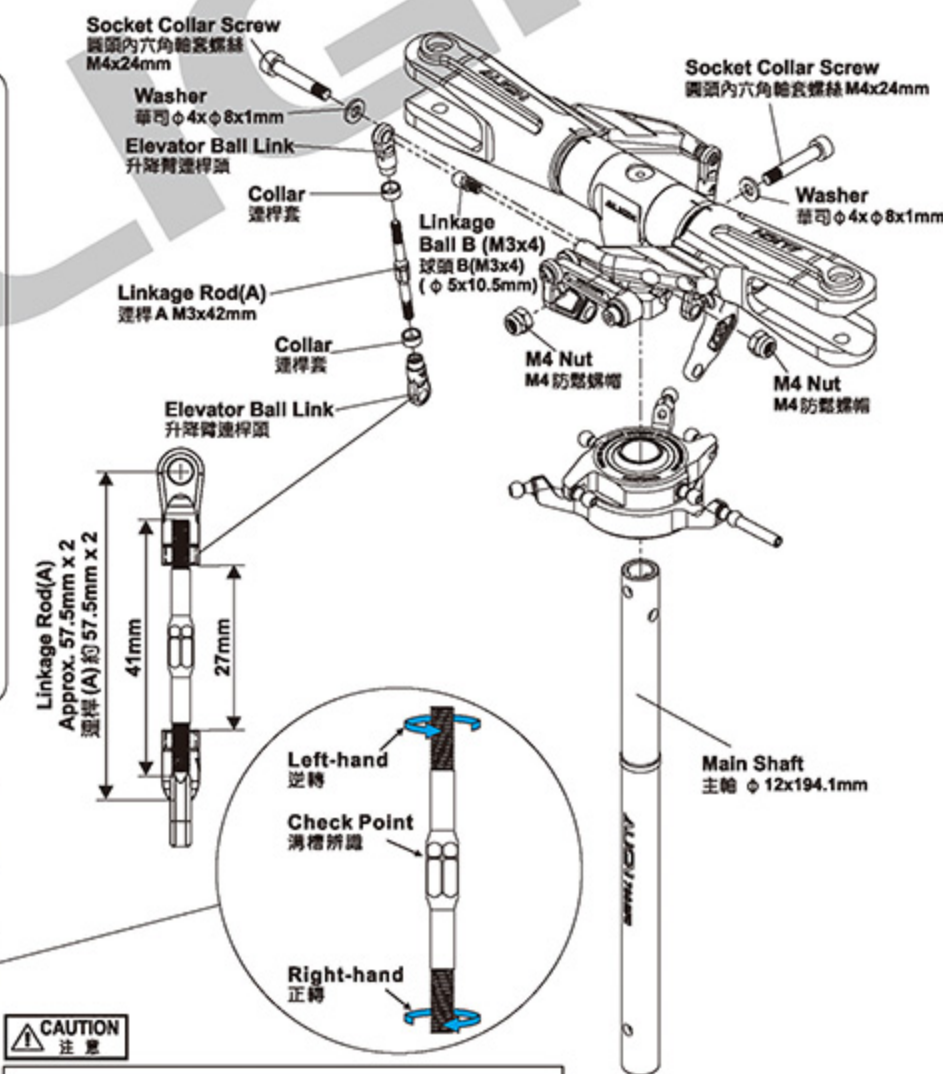
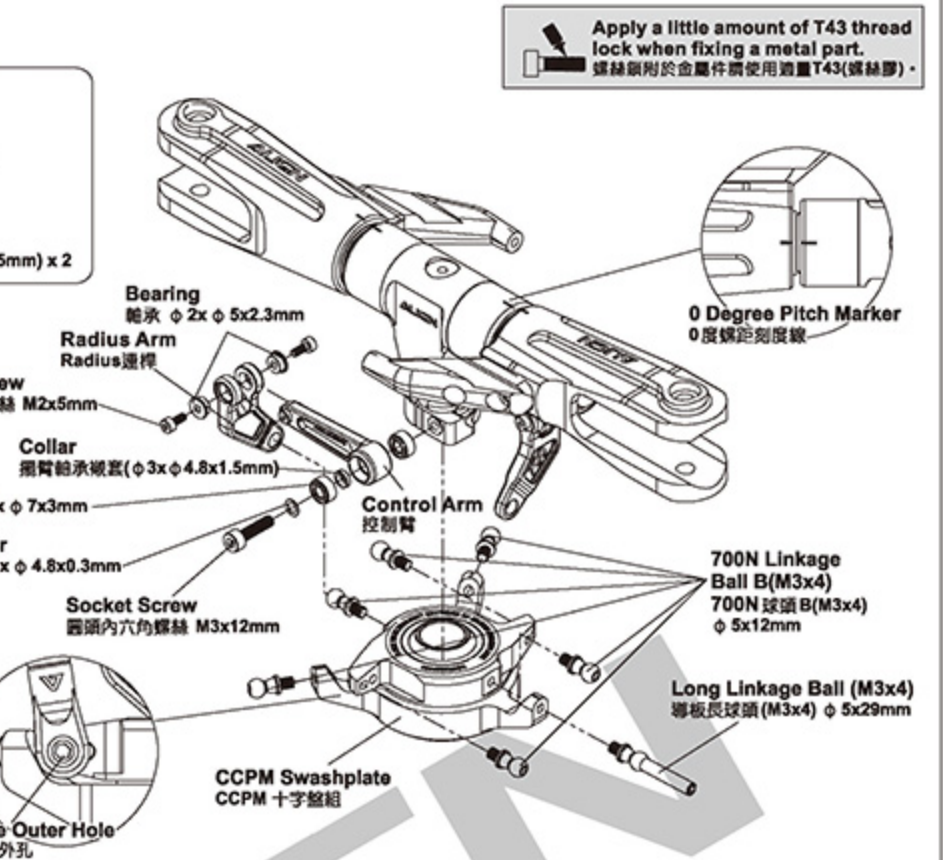
You may adjust the length of ball link when tracking is off while flight.

若飛行中有變態情形，可適當調整連桿頭長短改善。



For installation, make sure the "Check Point" is face upward, then use plier or wrench grasp the center of hexagonal rod to adjust its suitable length, turns clockwise to decrease the length, turns counter clockwise to increase the linkage length.

組裝時請將連桿中間有溝槽辨識端朝上。請使用尖嘴鉗或扳手轉動連桿中間六角柱部位調整適當長度，順時針轉動為調短連桿長度；逆時針轉動則為調長連桿長度。



Already assembled by Factory. Before flying, please check if the screws are fixed with glue.

原裝組裝完成品，每一次飛行前請先確認螺絲是否已上膠不會鬆動。



## 700HB17A



**Bearing**  
軸承 (φ 12x φ 24x6mm) x 3



**Bearing**  
軸承 (φ 6x φ 13x5mm) x 1



**Socket Screw**  
圓頭內六角螺絲 (M2.5x8mm) x 6



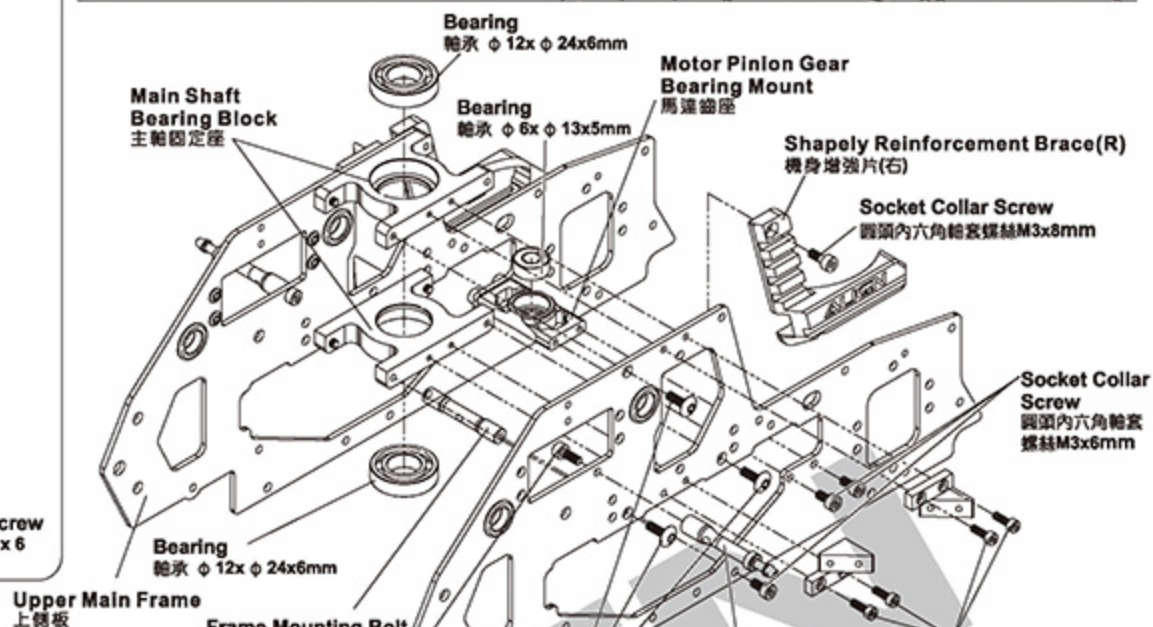
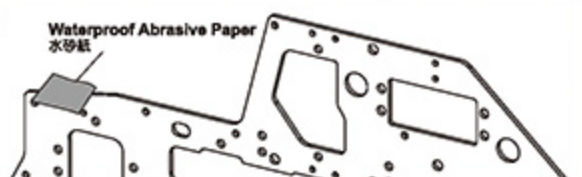
**Socket Button Head Collarscrew**  
半圓頭內六角軸套螺絲 (M3x8mm) x 6

Recommend sanding the marked position as right illustration with a waterproof abrasive paper (#800-1000) to avoid the wires of electric parts to be cut.

建議於右圖色塊標示處，使用 #800-1000 水砂紙打磨，可防止電子設備電線被刮破。

Waterproof Abrasive Paper

水砂紙



**Main Shaft Bearing Block**  
主軸固定座

**Bearing**  
軸承 φ 12x φ 24x6mm

**Motor Pinion Gear Bearing Mount**  
馬達齒座

**Bearing**  
軸承 φ 6x φ 13x5mm

**Shapely Reinforcement Brace (R)**  
機身增強片 (右)

**Socket Collar Screw**  
圓頭內六角軸套螺絲 M3x8mm

**Socket Collar Screw**  
圓頭內六角軸套螺絲 M3x6mm

**Socket Screw**  
圓頭內六角螺絲 M2.5x8mm

**Canopy Mounting Bolt**  
機頭罩固定柱 M3x6.8x44.3mm

**Socket Button Head Collar Screw**  
半圓頭內六角軸套螺絲 M3x8mm (牙長 7.5mm)

## 700HB18A



**Socket Screw**  
圓頭內六角螺絲 (M3x8mm) x 2



**Canopy Mounting Bolt**  
機頭罩固定柱 (M3x6.8x44.3mm) x 2

## 700HB18



**Frame Mounting Bolt**  
機身鉚柱 (M3x36mm) x 1

## 700HB19



**Socket Collar Screw**  
圓頭內六角軸套螺絲 (M3x6mm) x 6

## 700HB11B



**Socket Collar Screw**  
圓頭內六角軸套螺絲 (M3x6mm) x 14



**Socket Screw**  
圓頭內六角螺絲 (M3x10mm) x 4

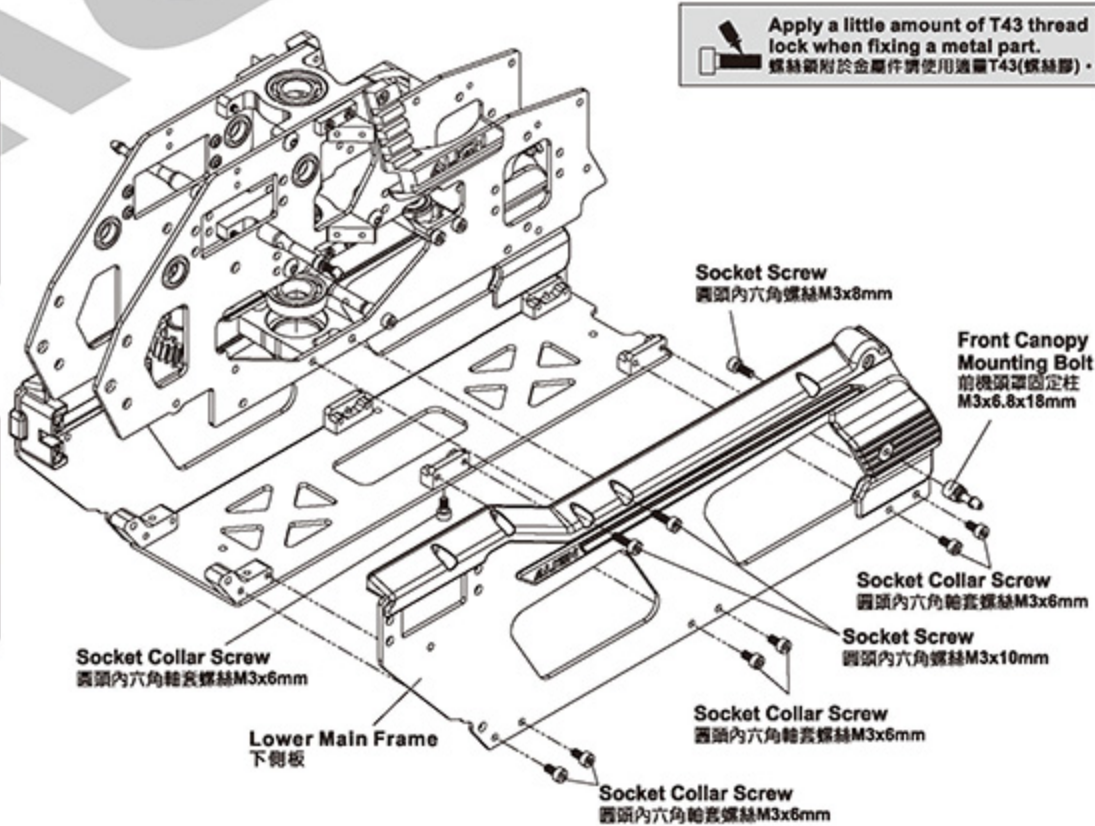
## 700HB18A



**Socket Screw**  
圓頭內六角螺絲 (M3x8mm) x 2



**Front Canopy Mounting Bolt**  
前機頭罩固定柱 (M3x6.8x18mm) x 2



Apply a little amount of T43 thread lock when fixing a metal part.  
螺絲鎖附於金屬件時使用適量 T43 (螺絲膠)。

**Socket Screw**  
圓頭內六角螺絲 M3x8mm

**Front Canopy Mounting Bolt**  
前機頭罩固定柱 M3x6.8x18mm

**Socket Collar Screw**  
圓頭內六角軸套螺絲 M3x6mm

**Socket Screw**  
圓頭內六角螺絲 M3x10mm

**Socket Collar Screw**  
圓頭內六角軸套螺絲 M3x6mm

**Lower Main Frame**  
下側板

**Socket Collar Screw**  
圓頭內六角軸套螺絲 M3x6mm

**Socket Collar Screw**  
圓頭內六角軸套螺絲 M3x6mm



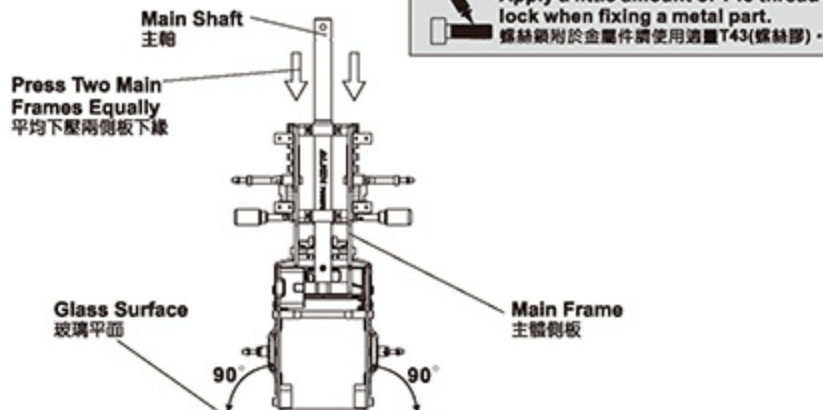


### Main frame assembly key point :

First do not fully tighten the screws of main frames and put three bearings through the main shaft to check if the movements are smooth. The bottom bracket must be firmly touched the level table top (glass surface) ; please keep the smooth movements on main shaft and level bottom bracket, then slowly tighten the screws. This assembly can help for the power and flight performance.

### 機身側板組立重點：

側板螺絲先不完全鎖緊，放入主軸貫穿三顆軸承確認上下移動必需滑順，主體底板必須與水平桌面（玻璃平面）踏實緊貼；請保持主軸滑順與底板平行桌面後慢慢鎖緊螺絲，正確側板的組裝對動力與飛行性能有顯著幫助。



## 700HB18



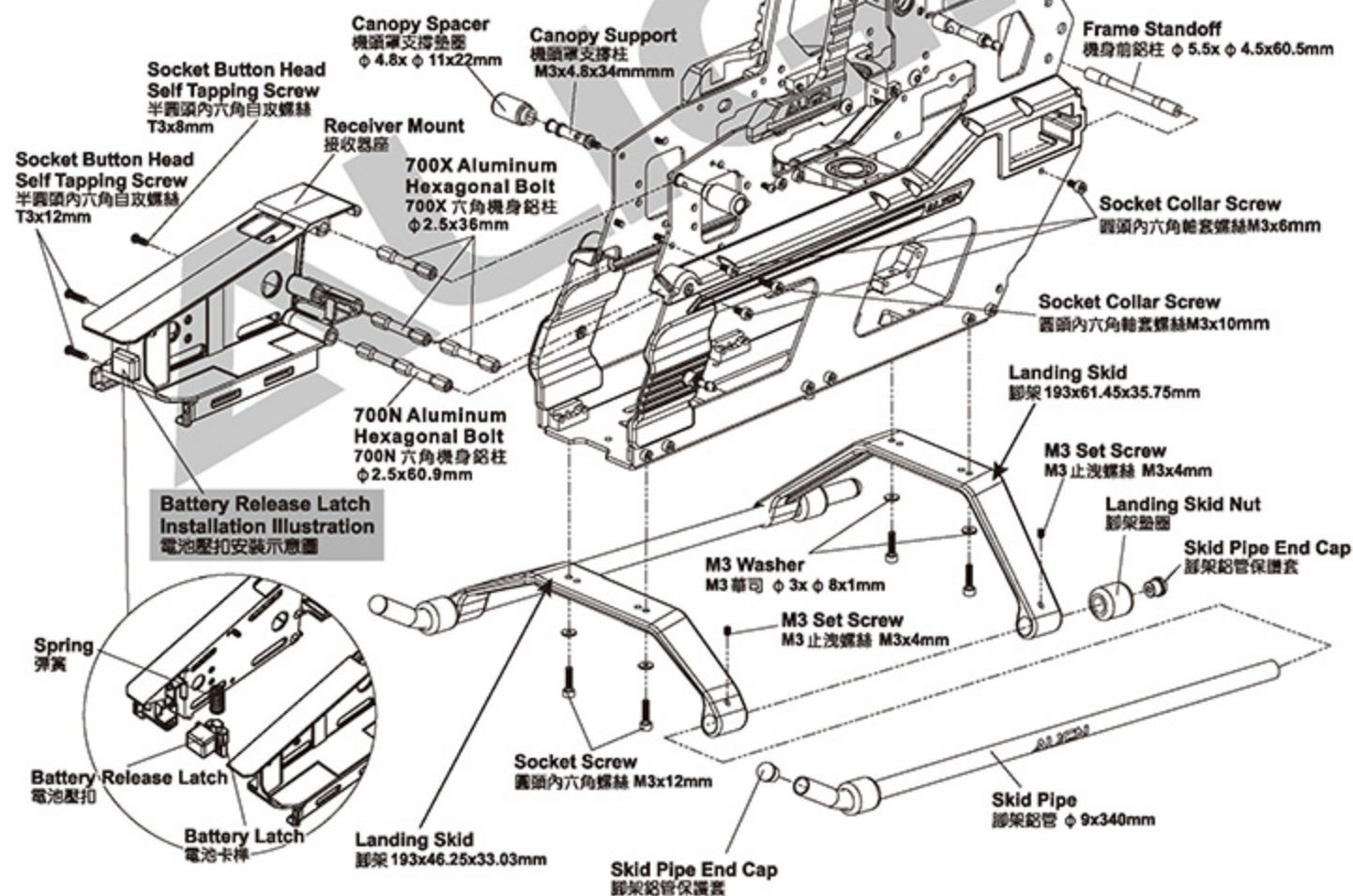
## 700HG2A



## 700HB18A



## 700HB11B



## PROGRESSIVE LIGHTWEIGHT LANDING SKID

前衛新型前傾輕量化設計的腳架

Landing skid is tilted 5 degree forward which improves crashworthiness.

新型腳架質輕耐撞擊，為前傾 5 度俯衝設計。





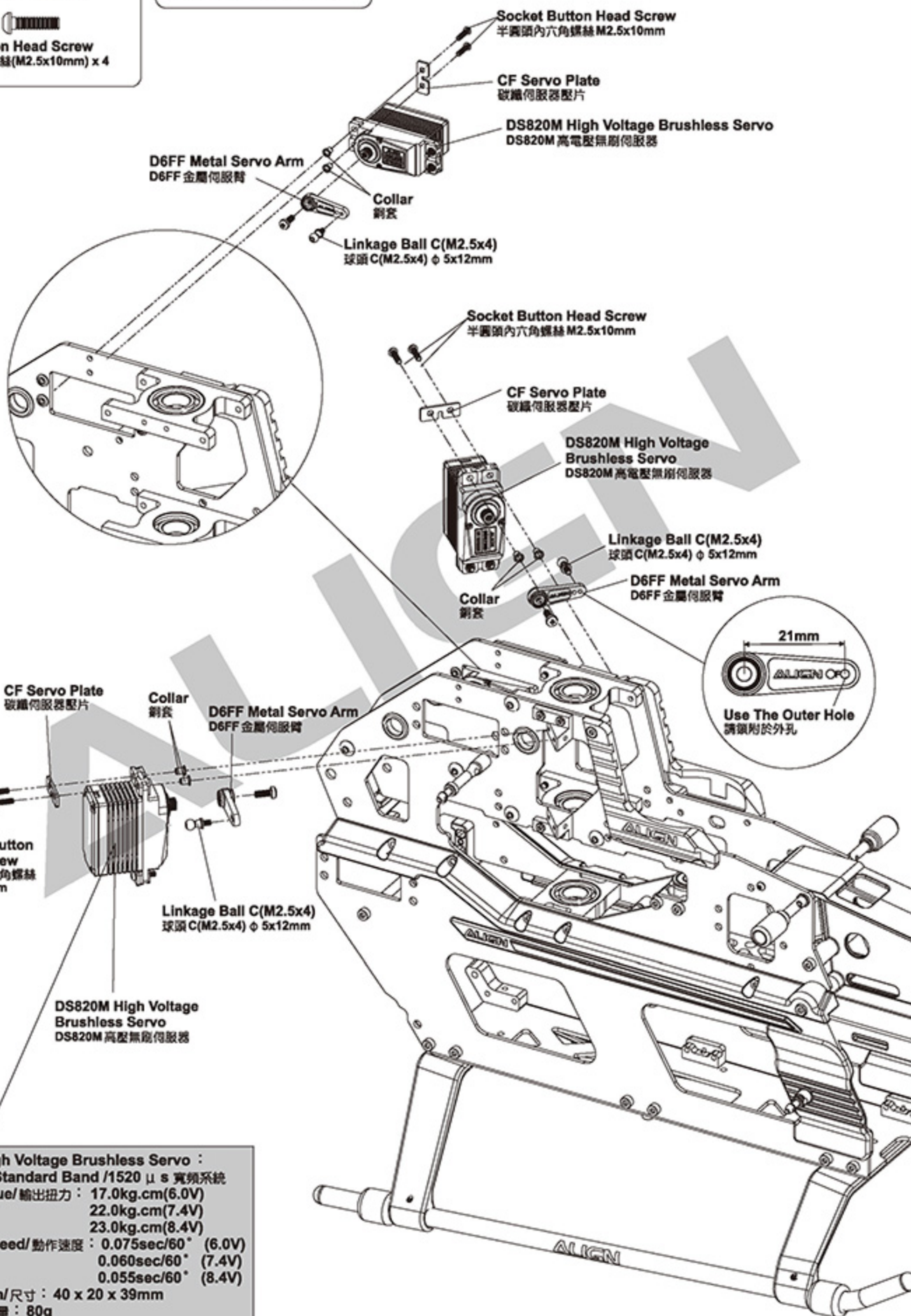
**700HZ17****700HB17A**

Apply a little amount of T43 thread lock when fixing a metal part.  
 鎖絲鎖附於金屬件請使用適量T43(鎖絲膠)。

Linkage Ball C(M2.5x4)  
 球頭C(M2.5x4)( $\phi$  5x12mm) x 3

Socket Button Head Screw  
 半圓頭內六角螺絲(M2.5x10mm) x 4

Socket Button Head Screw  
 半圓頭內六角螺絲(M2.5x10mm) x 8



**DS820M High Voltage Brushless Servo :**  
 1. 1520  $\mu$ s Standard Band / 1520  $\mu$ s 寬頻系統  
 2. Stall Torque / 輸出扭力 : 17.0kg.cm(6.0V)  
 22.0kg.cm(7.4V)  
 23.0kg.cm(8.4V)  
 3. Motion Speed / 動作速度 : 0.075sec/60° (6.0V)  
 0.060sec/60° (7.4V)  
 0.055sec/60° (8.4V)  
 4. Dimension / 尺寸 : 40 x 20 x 39mm  
 5. Weight / 重量 : 80g



## 700HB17A



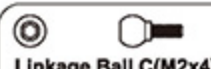
Socket Button Head Collar Screw  
半圓頭內六角帶蓋螺絲 (M3x8mm) x 4

## 700HB18



Socket Button Head Screw  
半圓頭內六角螺絲 (M2.5x10mm) x 4

## 700HZ17



Linkage Ball C (M2x4)  
球頭C (M2x4) (φ 5x9mm) x 1



M2 Nut  
M2 螺帽 x 1

- DS825M High Voltage Brushless Servo :**  
 1. 1520 μ s Standard Band / 1520 μ s 寬頻系統  
 2. Stall Torque/輸出扭力: 8.0kg.cm (6.0V)  
 10.0kg.cm (7.4V)  
 12.5kg.cm (8.4V)  
 3. Motion Speed/動作速度: 0.04sec/60° (6.0V)  
 0.03sec/60° (7.4V)  
 0.028sec/60° (8.4V)  
 4. Dimension/尺寸: 40 x 20 x 391mm  
 5. Weight/重量: 72g

DS825M High Voltage  
Brushless Servo  
DS825M 高壓無刷伺服

Linkage Ball C  
(M2x4)  
球頭C (M2x4)  
φ 5x9mm

Collar  
銅套

CF Servo Plate  
碳纖維伺服板

Socket Button  
Head Self Tapping Screw  
半圓頭內六角螺絲 M2.5x10mm

## 700HZ13



Socket Screw  
圓頭內六角螺絲 (M4x10mm) x 4



M4 Washer  
M4 華司 (φ 4x φ 8x1mm) x 4



M4 Set Screw  
M4 止洩螺絲 (M4x4mm) x 2



注意

Make sure the motor mount is fully fasterned before fastern the motor pinion gear mount.  
先將馬達固定座鎖緊固定後，再將馬達齒座鎖緊。

Socket Screw  
圓頭內六角螺絲  
M4x10mm

M4 Washer  
M4 華司  
φ 4x φ 8x1mm

Motor Slant Thread  
Pinion Gear  
馬達斜齒輪 13T

Motor Mount  
馬達固定座

M4 Set Screw  
M4 止洩螺絲  
M4x4mm

M4 Set Screw  
M4 止洩螺絲 M4x4mm

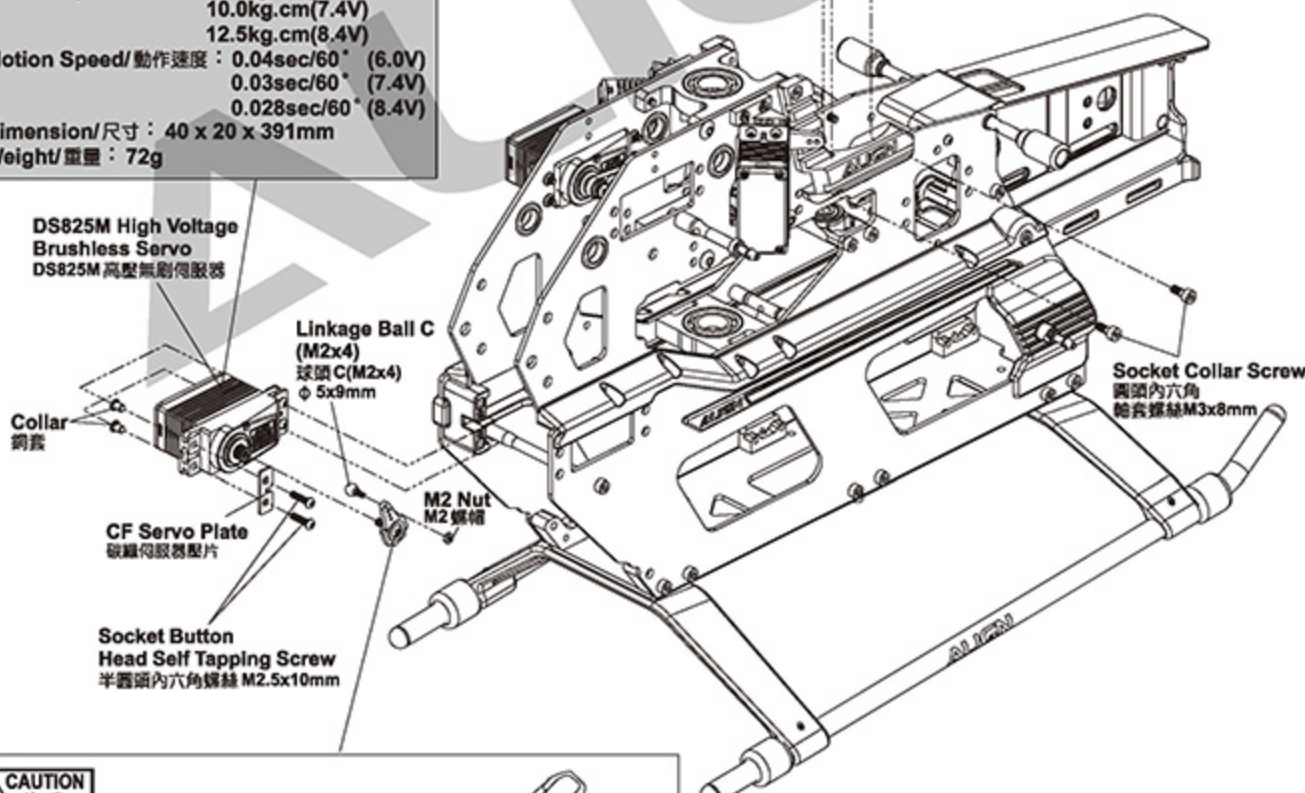
Motor  
馬達



Apply a little amount of T43 thread lock when fixing a metal part.  
螺絲鎖附於金屬件請使用適量T43(螺絲膠)。

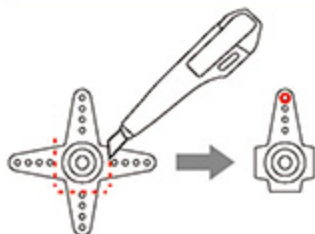
While assembling the motor mount, please make sure to properly loose M4 Set screw on 13T motor gear first, after fully fastern the motor mount with the motor pinion, then fastern back the M4 Set screw completely.

安裝馬達座時，請先將13T馬達斜齒的主齒的M4x4mm止洩螺絲適當放鬆，當馬達固定座和馬達齒座固定鎖好後，再將馬達止洩螺絲鎖緊。



注意

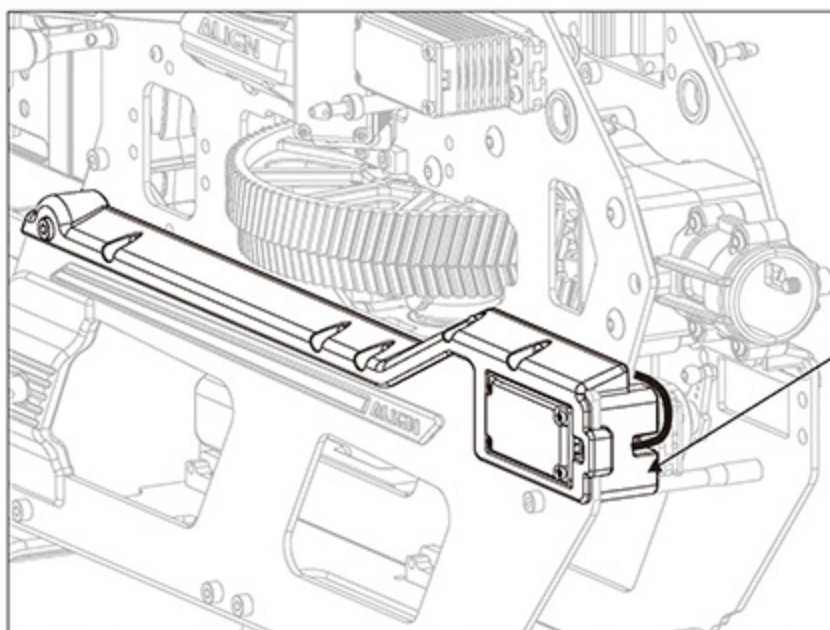
Please trim away the other servo horns, and fasten linkage ball on the outer hole.  
請先將原附十字舵角片切除多餘的另三邊，並將球頭鎖附於最外孔



注意

Make sure the motor mount is fully fasterned before fastern the motor pinion gear mount.  
先將馬達固定座鎖緊固定後，再將馬達齒座鎖緊。





### INNOVATIVE SERVO EMBEDDED MOUNT

獨創伺服器嵌入式基座

Servo mount manufactured using the latest composite material technology to integrate carbon fiber and POM (polyacetal), which efficiently strengthen its protective function and reduces abrasion of signal wires.

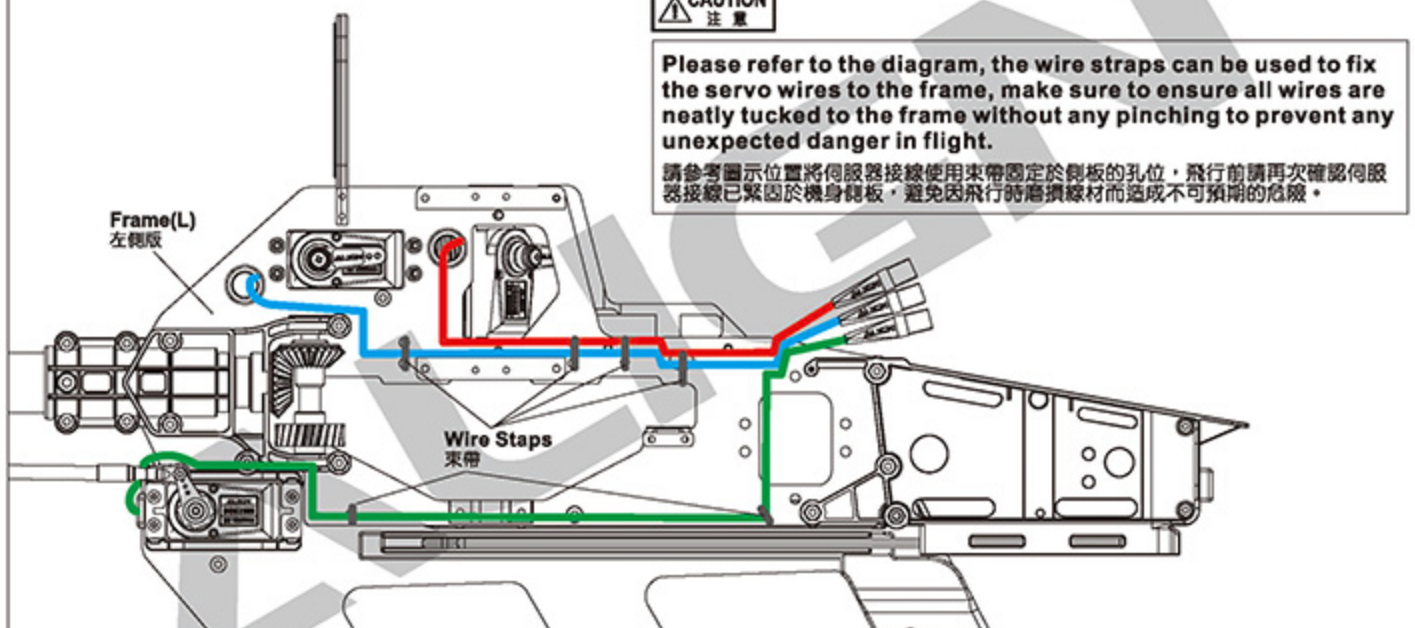
採用複合材質技術將碳纖維與POM塑膠材質運用於伺服器座，有效增強保護效果並降低訊號線的磨損。



注意

Please refer to the diagram, the wire straps can be used to fix the servo wires to the frame, make sure to ensure all wires are neatly tucked to the frame without any pinching to prevent any unexpected danger in flight.

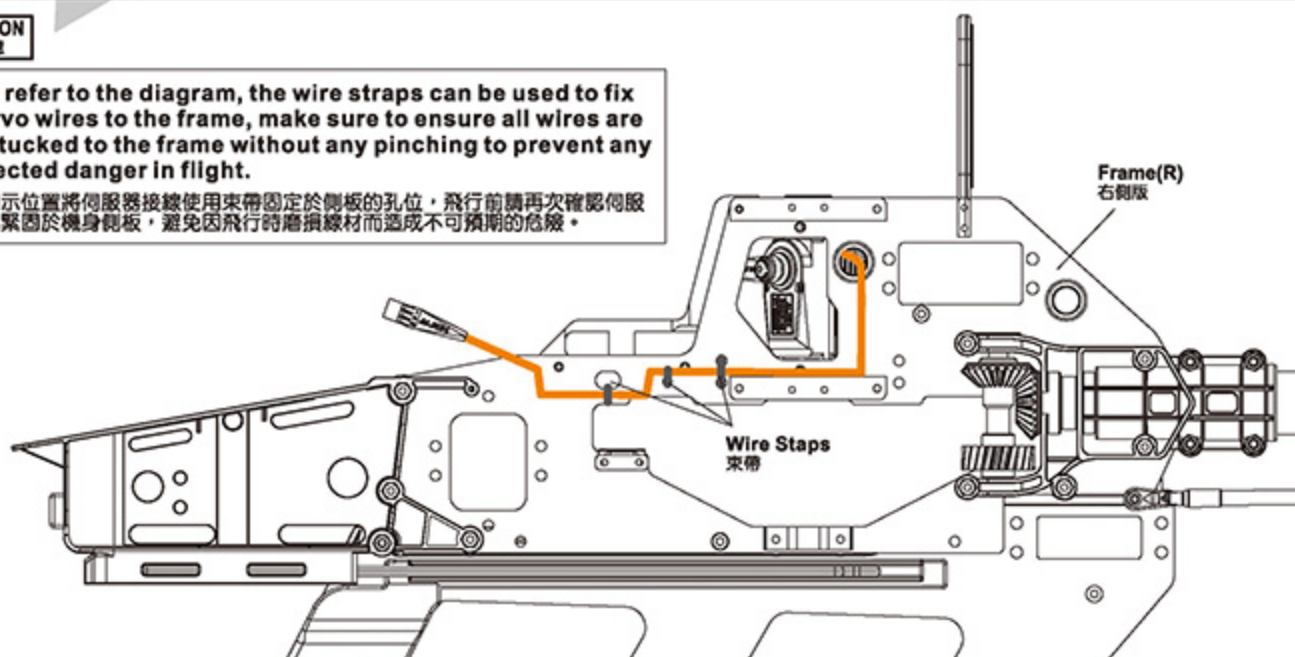
請參考圖示位置將伺服器接線使用束帶固定於側板的孔位，飛行前請再次確認伺服器接線已緊固於機身側板，避免因飛行時磨損線材而造成不可預期的危險。



注意

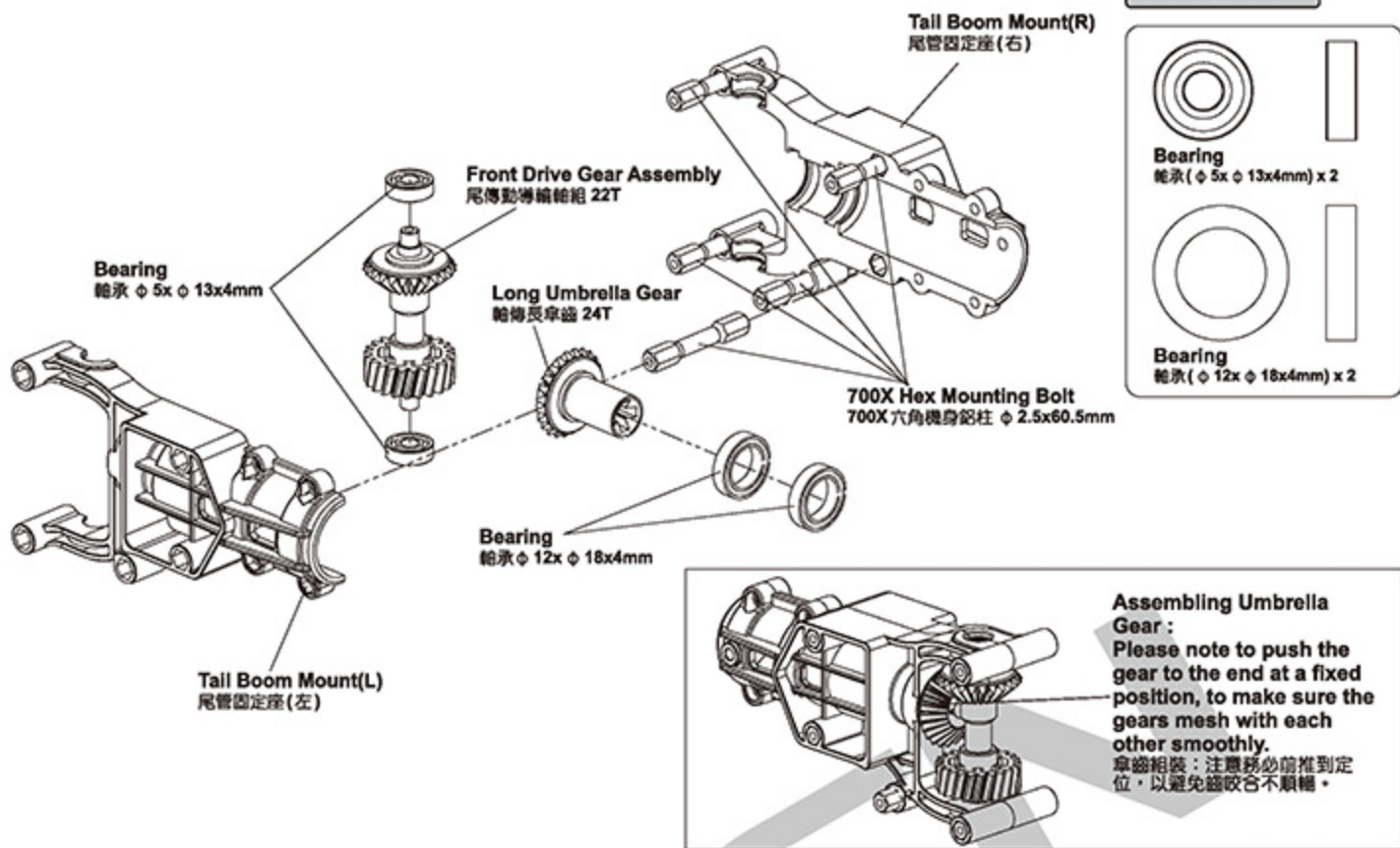
Please refer to the diagram, the wire straps can be used to fix the servo wires to the frame, make sure to ensure all wires are neatly tucked to the frame without any pinching to prevent any unexpected danger in flight.

請參考圖示位置將伺服器接線使用束帶固定於側板的孔位，飛行前請再次確認伺服器接線已緊固於機身側板，避免因飛行時磨損線材而造成不可預期的危險。

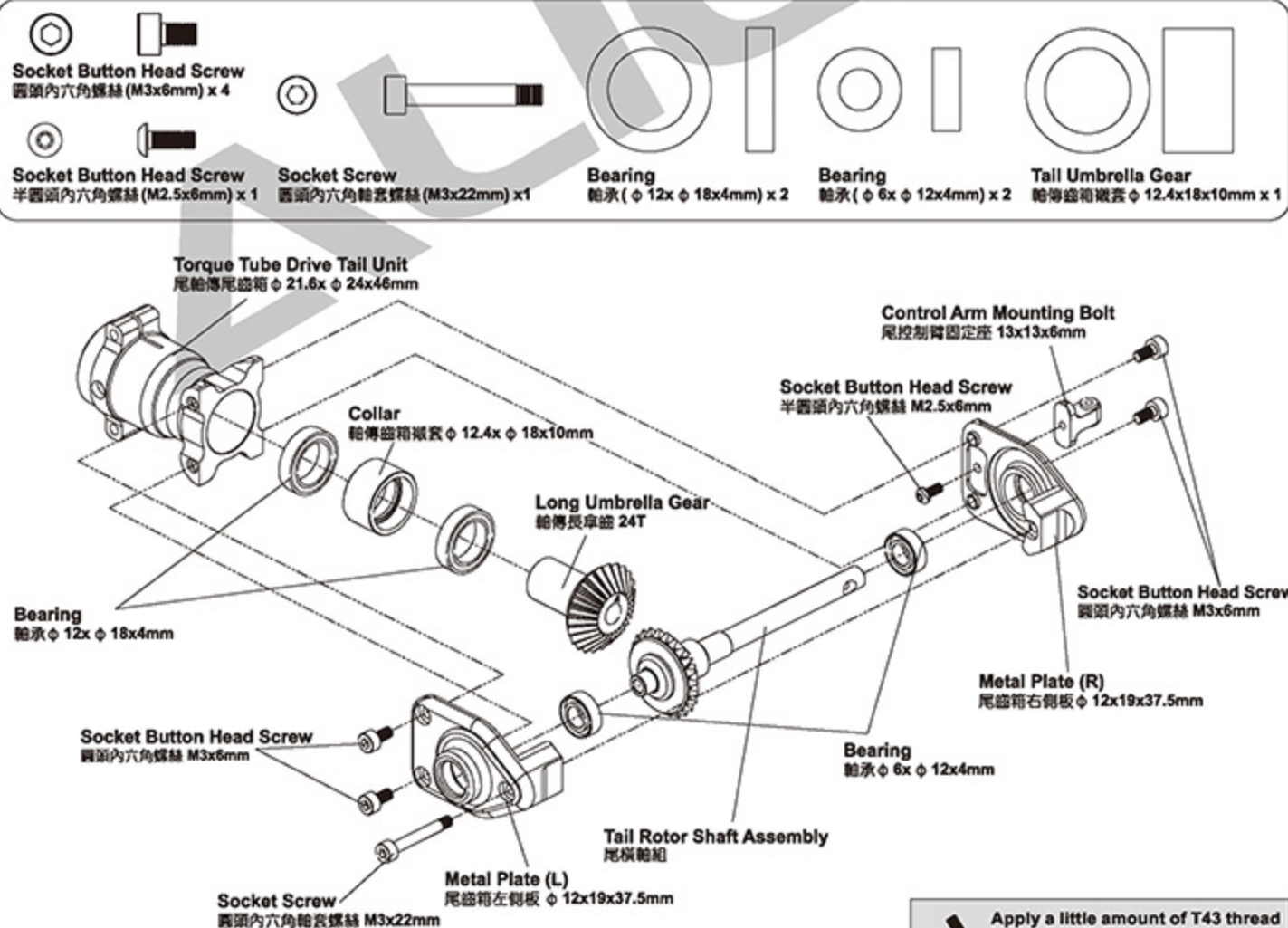




## 700HT17

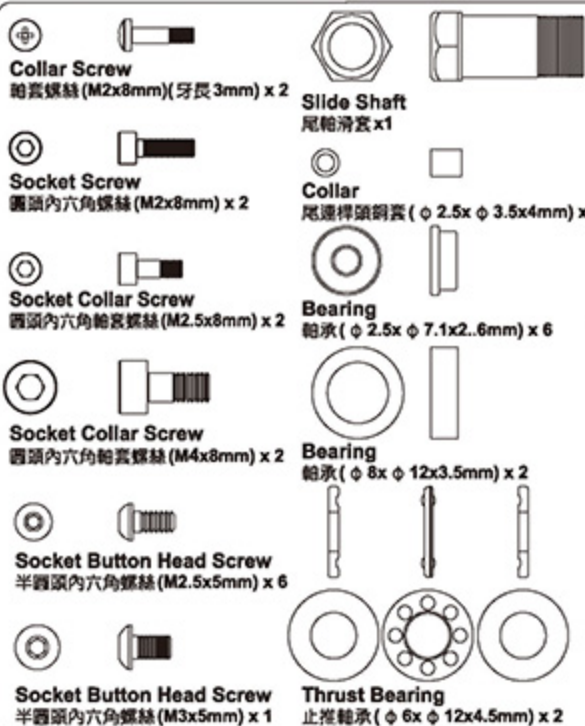


## 700HT10



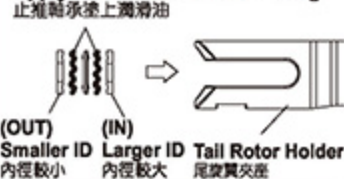


## 700HT10



## THRUST BEARING 止推軸承

Apply Grease on Thrust Bearing.  
止推軸承塗上潤滑油

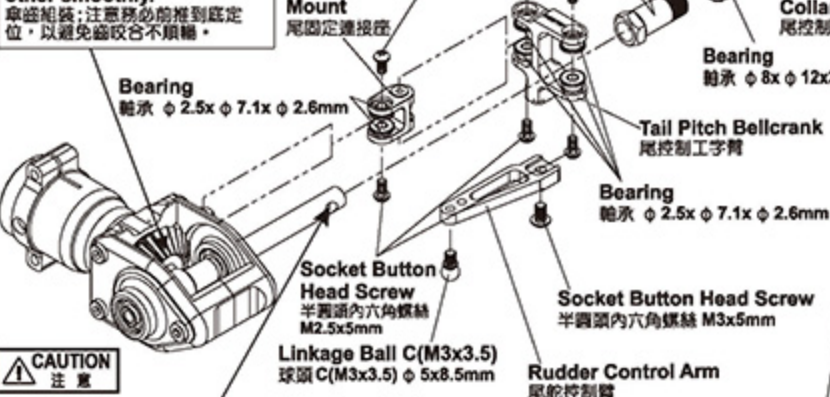


Make sure to tighten the screws on each side with average strength, but no unilaterally tighten, or it may causes interference during rotation.

組裝尾旋翼時，上、下螺絲必須平均力適量鎖附，不可單邊過緊，否則會造成干涉滑動不順暢。

While assembly the slide shaft, please use suitable amount of T43 on the thread. Please do not use R48 anaerobics retainer or other high strength glue to avoid damages while maintenance or repairs. 組立尾輪滑套時，請使用適量的T43螺絲膠在螺絲上，嚴禁使用R48高膠合性軸承膠防止膠合過緊，以免日後拆修維護零件之損傷。

Assembling Umbrella Gear: Please note to push the gear to the end at a fixed position, to make sure the gears mesh with each other smoothly. 傘齒組裝：注意務必將推到底定位，以避免齒咬合不順暢。



Aim tail rotor hub at the concave of tail rotor shaft and fix it, please apply a little glue on the set screw. The tail rotor hub and screws are wear items, and thus should be inspected for replacement after every 100 flights. For flights with high head speed, the inspection interval should be reduced to ensure flight safety.

尾旋翼 T 型座準確對準尾旋翼的凹側並鎖上，請確實塗抹螺絲上膠。尾旋翼 T 型座和螺絲屬於飛行消耗品，建議每 100 週定期檢查及更換。高主旋翼轉速飛行時，請縮短定期檢查之週數，以確保飛行安全。



Please tighten M2x8mm collar screw firmly but not over tightened. Over tighten the screw will cause the operation of control link unsmoothly. 鎖附 M2x8mm 軸套螺絲請使用適當力道，過度鎖緊會造成尾輪控制連桿轉動不順。

## 700HT15



The Metal Tail Rotor Holder is false assembly in factory, make sure to apply little glue on screws and tighten them back appropriately before starting to fly. Suggest to use torque wrench or torque lock for tightening screws with the torque value 5.0kg.cm.

尾旋翼夾座出廠為假組裝，螺絲必須使用適量螺絲膠重新鎖附，鎖附時注意適當緊度即可，建議搭配扭力或扭力鎖鎖附，扭力值為 5.0kg.cm。

Socket Collar Screw  
圓頭內六角鉛套螺絲 M2.5x8mm

Collar  
尾輪桿頭副套 φ 2.5x φ 3.5x4mm

Control Link  
尾控制連桿頭

Socket Screw  
圓頭內六角螺絲 M2x8mm

Bearing  
軸承 φ 8x φ 12x3.5mm

Bearing Holder  
尾翼控制軸承套

Slide Shaft  
尾輪滑套

Collar  
尾輪控制套盤

Bearing  
軸承 φ 8x φ 12x3.5mm

Collar Screw  
軸套螺絲 (牙長3mm) M2x8mm

M4 Set Screw  
M4 止波螺絲 M4x4mm

Tail Rotor Hub  
尾旋翼 T 型座 φ 12.8x44.2mm

Tail Rotor Holder  
尾旋翼夾座

M4 Set Screw  
M4 止波螺絲 M4x4mm

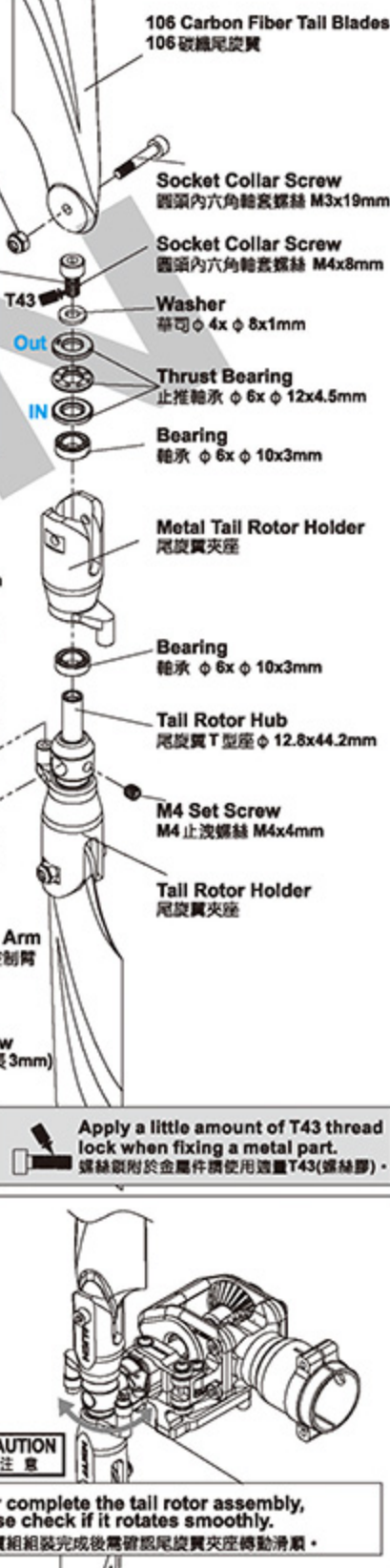
Tail Rotor Holder  
尾旋翼夾座

M4 Set Screw  
M4 止波螺絲 M4x4mm

Tail Rotor Holder  
尾旋翼夾座

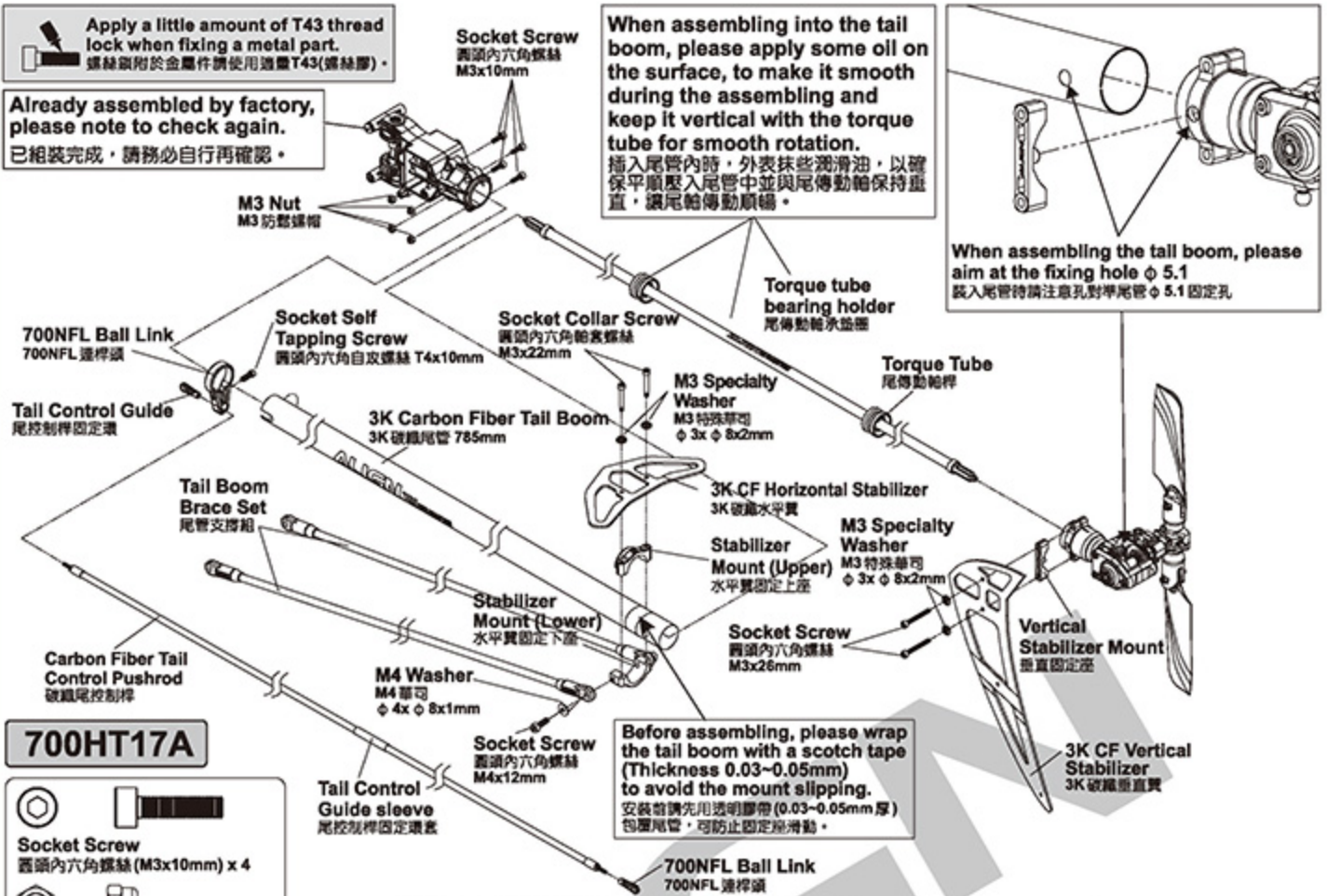
M4 Set Screw  
M4 止波螺絲 M4x4mm

Tail Rotor Holder  
尾旋翼夾座



After complete the tail rotor assembly, please check if it rotates smoothly.  
尾旋翼組裝完成後需確認尾旋翼夾座轉動滑順。





**700HT17A**

Socket Screw  
 圓頭內六角螺絲 (M3x10mm) x 4

M3 Nut  
 M3 防鬆螺帽 x 4

**700NT2EA**

Socket Screw  
 圓頭內六角螺絲 (M4x12mm) x 2

Socket Collar Screw  
 圓頭內六角輪套螺絲 (M3x22mm) x 2

M3 Specialty Washer  
 M3 特殊華司 ( $\phi 3x \phi 8x2mm$ ) x 2

M4 Washer  
 M4 華司 ( $\phi 4x \phi 8x1mm$ ) x 2

**700HT10**

Socket Screw  
 圓頭內六角螺絲 (M3x26mm) x 2

M3 Specialty Washer  
 M3 特殊華司 ( $\phi 3x \phi 8x2mm$ ) x 2

**700HT6A**

Socket Self Tapping Screw  
 圓頭內六角自攻螺絲 (T4x10mm) x 1

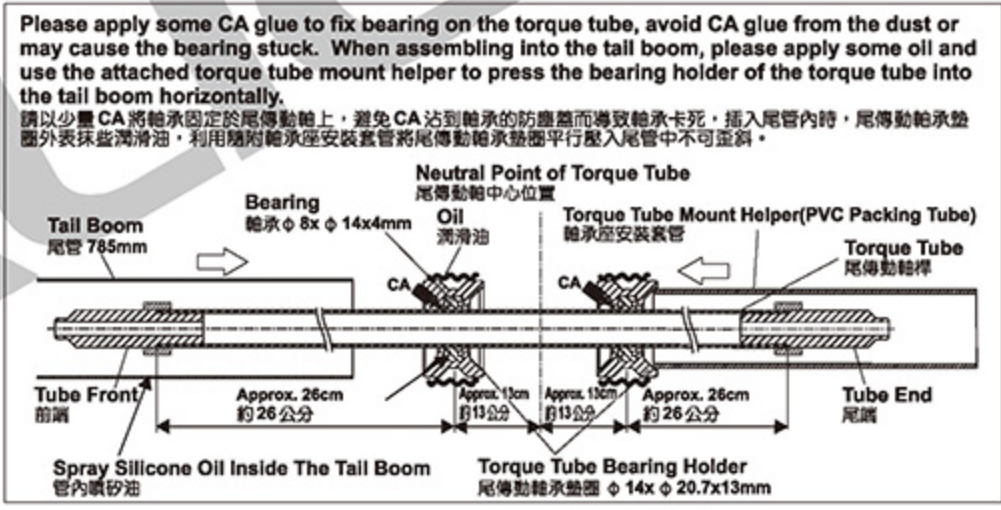
**700FLT6**

Bearing  
 軸承 ( $\phi 8x \phi 14x4mm$ ) x 2

**700FLT7**

700NFL Ball Link  
 700NFL 連桿頭 x 2

**TIP TO FIX THE TORQUE TUBE 傳動軸軸承固定位置要領**



**CAUTION 注意**

Skewed torque tube bearing holder will interfere with torque tube rotation and cause unusual vibration.  
 尾傳動軸承座安裝歪斜會造成傳動軸運轉不順及尾節異常震動等問題。

**CAUTION 注意**

After moving the tail control rod adjustment sleeve to recommended position, glue the sleeve to carbon tail control rod with instant glue.  
 尾控制桿固定環調整至建議位置後，再將尾控制桿固定環套與碳纖維尾控制桿接觸面以適量瞬間膠固定。



Apply a little amount of T43 thread lock when fixing a metal part.  
螺絲鎖附於金屬件請使用適量T43(螺絲膠)。

Metal Anti Rotation Bracket  
十字盤導板

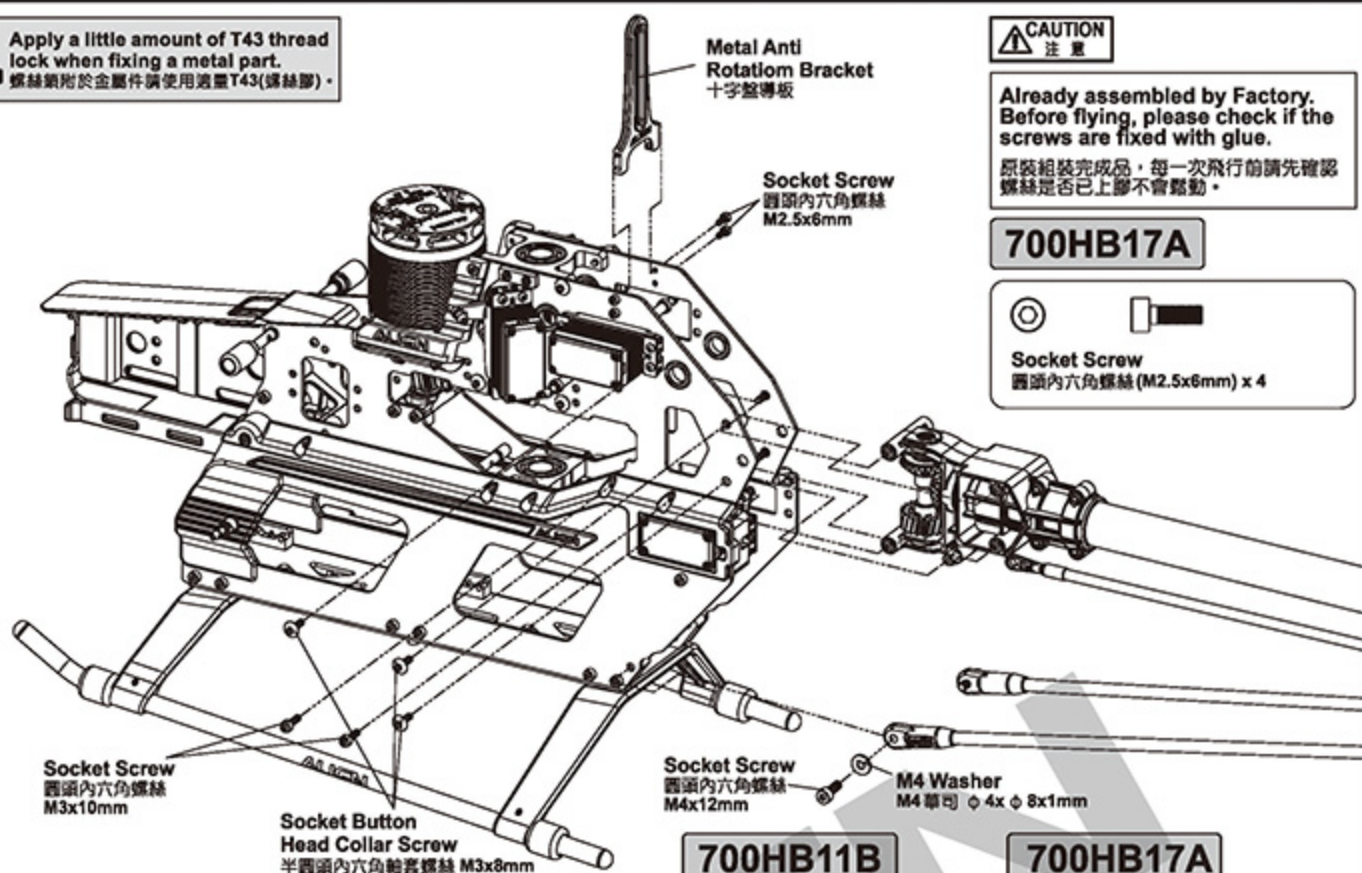
CAUTION  
注意

Already assembled by Factory. Before flying, please check if the screws are fixed with glue.  
原裝組裝完成品，每一次飛行前請先確認螺絲是否已上膠不會鬆動。

原裝組裝完成品，每一次飛行前請先確認螺絲是否已上膠不會鬆動。

700HB17A

Socket Screw  
圓頭內六角螺絲 (M2.5x6mm) x 4



Socket Screw  
圓頭內六角螺絲 M3x10mm

Socket Button Head Collar Screw  
半圓頭內六角輪套螺絲 M3x8mm

Socket Screw  
圓頭內六角螺絲 M4x12mm

M4 Washer  
M4 華司  $\phi 4 \times \phi 8 \times 1 \text{mm}$

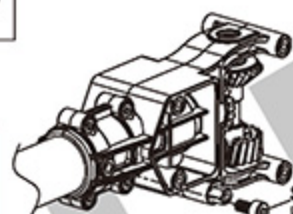
700HB11B

700HB17A

Tail Boom Fixing Screw  
尾管固定螺絲

700HT17A

Socket Screw  
圓頭內六角螺絲 (M4x8mm) x 2



Socket Screw  
圓頭內六角螺絲 M4x8mm

Socket Screw  
圓頭內六角螺絲 (M4x12mm) x 2

M4 Washer  
M4 華司 ( $\phi 4 \times \phi 8 \times 1 \text{mm}$ ) x 2

Socket Screw  
圓頭內六角螺絲 (M3x10mm) x 4

Socket Button Head Collar Screw  
半圓頭內六角輪套螺絲 (M3x8mm) x 6

800HB5



Bearing  
軸承 ( $\phi 15 \times \phi 21 \times 4 \text{mm}$ ) x 2



One-way Bearing  
單向軸承 ( $\phi 15 \times \phi 23 \times 11 \text{mm}$ ) x 1

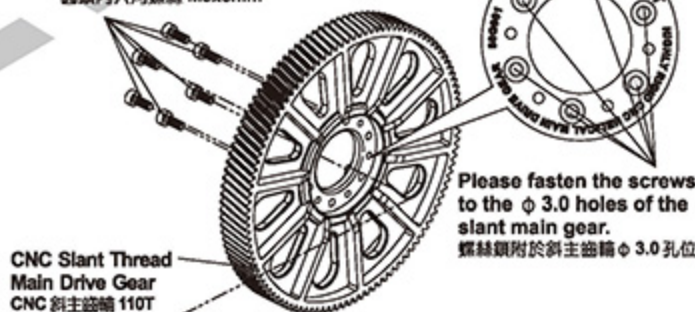


One-way Bearing Cover  
單向軸承上蓋  $\phi 21 \times \phi 15.8 \times 26 \text{mm}$



Spacer  
700 單向墊片  $\phi 18 \times \phi 22.7 \times 0.7 \text{mm}$  x 1

Socket Screw  
圓頭內六角螺絲 M3x8mm



CNC Slant Thread  
Main Drive Gear  
CNC 斜主齒輪 110T

Please fasten the screws to the  $\phi 3.0$  holes of the slant main gear.  
螺絲鎖附於斜主齒輪  $\phi 3.0$  孔位

One-way Bearing Shaft  
單向軸承套  $\phi 12 \times \phi 15 \times 41.5 \text{mm}$

One-way Bearing Collar  
單向軸承外環  $\phi 6 \times \phi 23 \times 11.6 \text{mm}$

Spacer  
700 單向墊片  $\phi 18 \times \phi 22.7 \times 0.7 \text{mm}$

Apply Grease  
塗上潤滑油

One-way Bearing Cover  
單向軸承上蓋  $\phi 21 \times \phi 15.8 \times 26 \text{mm}$

Bearing  
軸承  $\phi 15 \times \phi 21 \times 4 \text{mm}$

One-way Bearing  
單向軸承  $\phi 15 \times \phi 23 \times 11 \text{mm}$

Please note the direction of bearing.  
請注意軸承方向

One-way Bearing Mount  
單向軸承下蓋  $\phi 19 \times 39 \times 6.5 \text{mm}$



102T M1 Helical  
Autorotation T  
all Drive Gear Set  
102T M1 尾驅動斜齒組

Socket Screw  
圓頭內六角螺絲 M2.5x8mm

CAUTION  
注意

Already assembled by Factory. Before flying, please check if the screws are fixed with glue.  
原裝組裝完成品，每一次飛行前請先確認螺絲是否已上膠不會鬆動。

原裝組裝完成品，每一次飛行前請先確認螺絲是否已上膠不會鬆動。

Before tightening the screw, please rotate the bearing and check the concentricity of the bearing in order to have the screw firmly secured, to avoid the bearing stuck or heavy load at one side and cause slipp.  
上緊螺絲前需試轉動確認軸承同心度良好後，才能將螺絲平均鎖緊，以避免造成卡死或單向重負載可能產生的打滑。

上緊螺絲前需試轉動確認軸承同心度良好後，才能將螺絲平均鎖緊，以避免造成卡死或單向重負載可能產生的打滑。



Apply a little amount of T43 thread lock when fixing a metal part.  
 螺絲鎖附於金屬件請使用適量T43(螺絲膠)。

When tightening the main blade fixing screw, please tighten it firmly, but not over tighten, or it may cause the damage of main blade holder and result in danger.

鎖緊主旋翼螺絲須注意適當緊度即可，過緊可能導致主旋翼夾座受損，飛行意外發生。

## 700FLH12A

Main Blade Fixing Screw  
 鎖主旋翼用螺絲



Socket Collar Screw  
 圓頭內六角軸套螺絲 (M5x32mm) x 2



M5 Nut  
 M5 防鬆螺帽 x 2

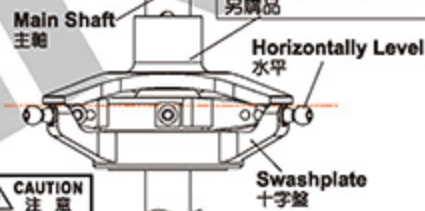
## 800HB5

Socket Collar Screw  
 圓頭內六角軸套螺絲 (M4x27mm) x 1



M4 Nut  
 M4 防鬆螺帽 x 1

[H70118]  
 Swashplate Leveler  
 十字盤校正器  
 Optional Equipment  
 另購品



CAUTION  
 注意

While using Flybarless system, please use the swashplate leveler to calibrate swashplate. Adjust the length of servo linkage rod to make sure the swashplate is leveled before start setting up to ensure the gyro provides the best performance.

使用無平衡系統，請務必使用十字盤調整器校正十字盤，調整何服務器連桿長度，確保十字盤達到水平狀態，再進行基本機體設定，這樣才能確保飛行性能達到最佳效果。

M1 Slant Thread Main Drive Gear Set  
 M1 斜主齒盤組

M4 Nut  
 M4 防鬆螺帽

Socket Screw  
 圓頭內六角軸套螺絲  
 M4x27mm

## 700FLZ18



Elevator Ball Link  
 升降臂連桿頭 x 6



Collar  
 連桿套 x 6



Linkage Rod(A)  
 連桿 A (M3x41mm) x 3

700 Carbon Fiber Blades  
 700 碳纖維主旋翼

Socket Collar Screw  
 圓頭內六角軸套螺絲  
 M5x32mm

M5 Nut  
 M5 防鬆螺帽

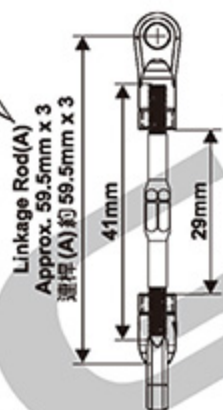
Linkage Rod(A)  
 連桿 A M3x42mm

Elevator Ball Link  
 升降臂連桿頭

Standard Equipment :  
 Main shaft spacer(1)  
 標準品：主軸墊片 (1)  
 φ 12x φ 16x1mm

Spare part : Main shaft spacer(0.8)  
 Main shaft spacer(0.5)  
 Main shaft spacer(0.3)

備品：主軸墊片 (0.8) φ 12x φ 16x0.8mm  
 主軸墊片 (0.5) φ 12x φ 16x0.5mm  
 主軸墊片 (0.3) φ 12x φ 16x0.3mm



Linkage Rod(A)  
 Approx. 59.5mm x 3  
 連桿 (A) 約 59.5mm x 3

The lower edge of main gear need to be lined up with lower edge of pinion gear. This will ensure smooth meshing, and avoid interference between pinion's base and main gear which can lead to unusual wear.

馬達齒下緣必須與主齒盤下緣水平切齊，如此才能確保齒輪傳動順暢，避免馬達主齒盤與新型斜主齒輪產生異常干涉磨損。





Apply a little amount of T43 thread lock when fixing a metal part.  
螺絲鎖附於金屬件請使用適量T43(螺絲膠)。



Original manufactory packages contains product already assembled, please confirm every screw is firmly secured with T43. Do not use T43 on any plastic part.

原裝零件出廠包裝如果是組裝品，請需再確認各螺絲是否鎖緊上膠。

### A MOUNTING ORIENTATION OF MICROBEAST PLUS MICROBEAST PLUS的安裝方向



Please visit Align download area to get the completed instruction manual at Align website.

更多詳細的設定操作說明請至官網下載專區下載。  
<http://www.align.com.tw/beastx/>

Microbeast PLUS can be installed on any position of helicopter. V4.x.x provides 8 different direction choices.

Microbeast PLUS 可以安裝在機體的任何一個位置。V4.x.x版本提供8種不同方向供你選擇

THE COLOR OF THE STATUS-LED SHOWS THE CURRENTLY SELECTED ORIENTATION:

LED指示燈狀態顯示安裝方向：



Status LED Off\*  
Status-LED 燈熄滅\*



Status LED Flashing Purple  
Status-LED 燈紫色閃爍



Status LED Purple  
Status-LED 燈紫色



Status LED Flashing Red  
Status-LED 燈紅色閃爍



Status LED Red  
Status-LED 燈紅色



Status LED Flashing Blue  
Status-LED 燈藍色閃爍



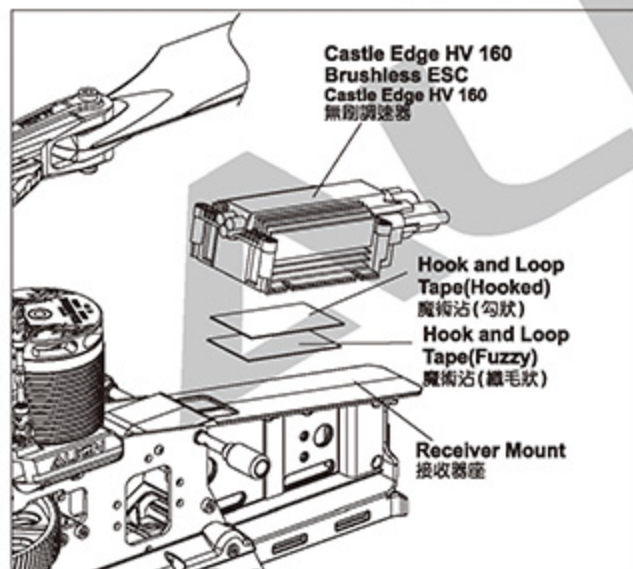
Status LED Blue  
Status-LED 燈藍色



Status LED Flashing Red/Blue  
Status-LED 燈紅色/藍色同時閃爍

Front  
機頭方向

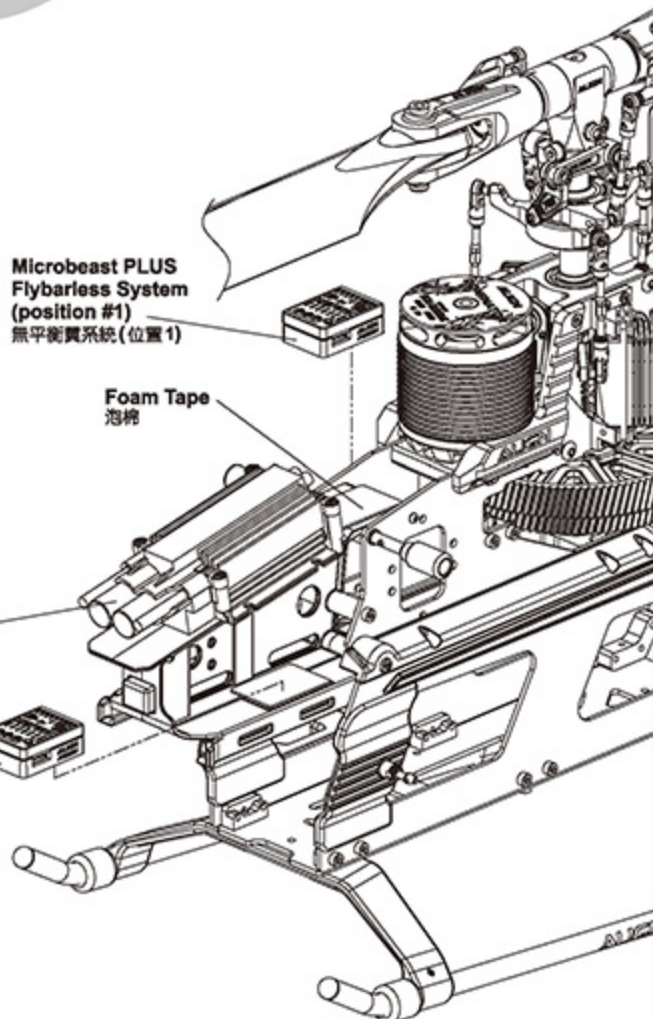
\* Factory Setting \* 出廠預設值



The ideal location to mount the ESC, if the gyro is mounted in suggested position 1, is as far forward as necessary to avoid any contact with gyro. The top of the ESC (fan) should be as close as possible to the opening located at the top of the canopy's front window. This allows air flow to pass over the ESC, improving the efficiency of heat dissipation. Failure to mount in this location may affect flight performance due to excessive heat by the ESC.

無刷調速器安裝時，建議盡量往上安裝固定，散熱效果較好；安裝位置過低可能會因機殼覆蓋散熱不佳，導致無刷調速器過熱而影響飛行性能。

Microbeast PLUS Flybarless System (position #2)  
無平衡翼系統(位置2)







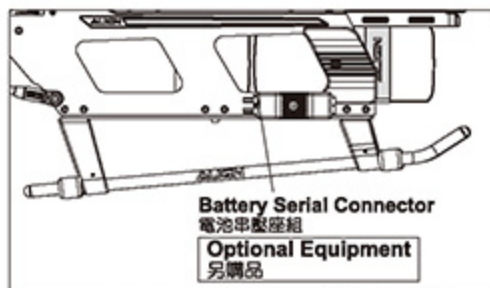
Please fix the 2 batteries on the battery mount evenly.  
2顆電池請平均固定於電池板上。

Hook and Loop Tape (Hooked)  
魔术沾 (勾狀)

Battery Mount  
電池固定板

Hook and Loop Tape (Fuzzy)  
魔术沾 (絨毛狀)

Hook and Loop Tape  
魔术帶



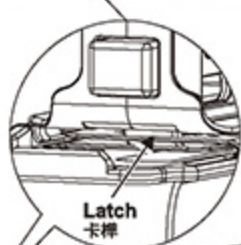
Battery Serial Connector  
電池串壓座組  
Optional Equipment  
另購品

Insert The Battery From The Front  
電池從前方置入

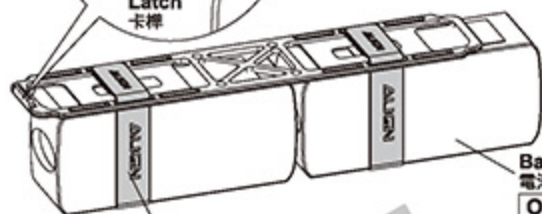
Slide the battery mounting plate along the rail until a "click" is heard to make sure the battery mounting plate is latched.  
將電池固定板順著電池滑軌裝入至發出"喀嗒"聲響，使電池固定板卡入卡榫。

Press this latch to allow the battery to slide out along the rail.  
電池抽出前請先將電池壓扣往內壓，順著滑軌抽出。

Battery Release Latch  
電池壓扣

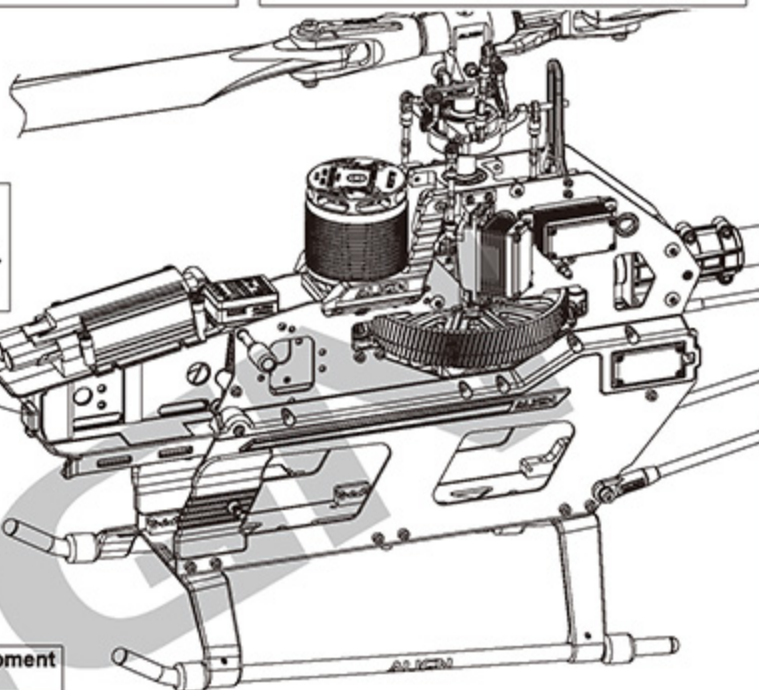


Latch  
卡榫



Hook and Loop Tape  
魔术帶 20x274mm

Battery  
電池  
Optional Equipment  
另購品



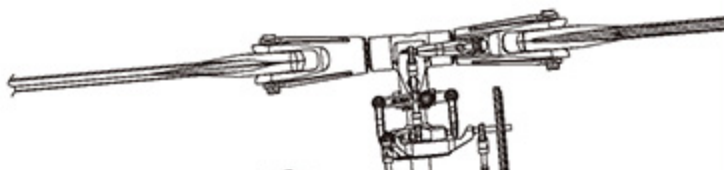
## 10. CANOPY ASSEMBLY 機頭罩安裝

Canopy  
機頭罩

Canopy Protector  
機頭罩墊片

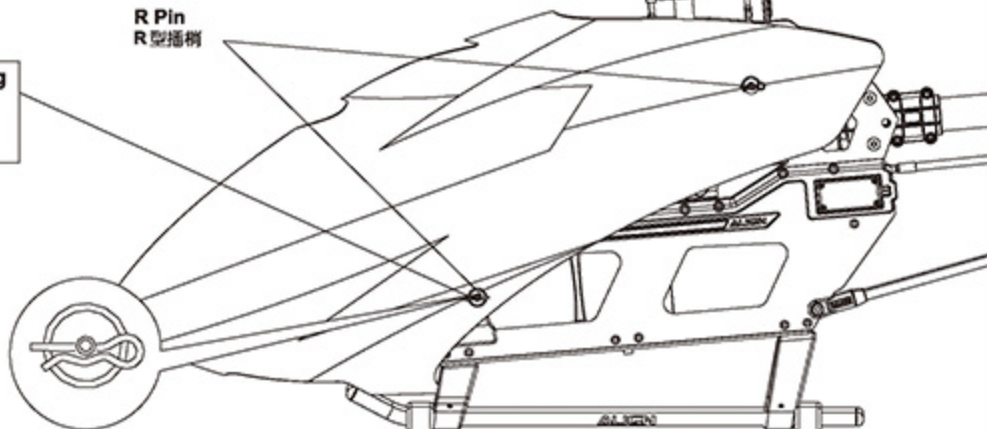
CA

Canopy Nut  
機頭罩墊圈

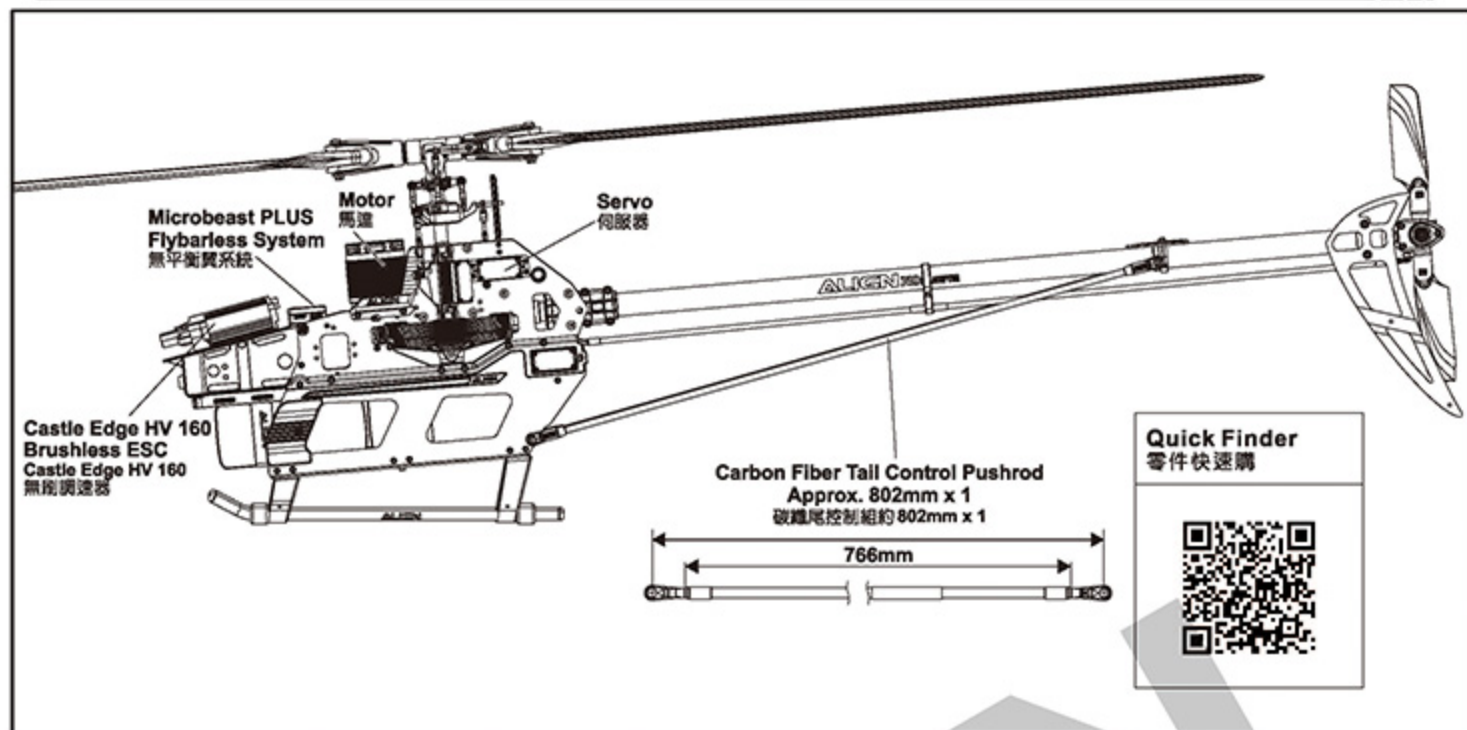


Keep the hole position for canopy mounting bolt horizontally to make it easier to insert the R pin to fix the canopy.  
機頭罩固定柱孔位保持水平以利R插榫插入固定機頭罩。

R Pin  
R型插榫







## 12.MICROBEAST PLUS FLYBARLESS MANUAL 無平衡翼系統使用說明

MICROBEAST PLUS Flybarless System as ALIGN helicopter standard equipment, must and compatible with ALIGN standard equipment including blades, servos, motor, battery and so on, please refer to flight and setup instruction in this manual.

ALIGN helicopter標配使用MICROBEAST PLUS無平衡翼系統，須搭配ALIGN直昇機標準配件(主旋翼、伺服器、馬達)與飛行操作、設定指示。

## USER NOTICE 使用注意事項



- 1.If assembling and operating the helicopter without using ALIGN standard equipment, including electronic equipment & blades...etc, please make sure there is a sufficiently large and stable power supply to your helicopter. If there is any abnormal voltage or insufficient power supply, suggest to upgrade the flybarless system to MICROBEAST PLUS HD (Optional)for better power back up.
  - 2.Please refer to BEASTX MICROBEAST PLUS/HD website for MICROBEAST PLUS/HD assembly and setup instruction.
  - 3.Any over use, incorrect setup, missassembly, incorrect modification or misuse will lead to abnormal voltage, electronic devices damage, structural interference, and insufficient power supply. Make sure to carefully check every assembly and setup refer to the manual instruction prior to every flight to prevent any unforeseen danger.
- 1.安裝、操控您的直昇機時，如非使用ALIGN標準配件(含電子配件、主旋翼等)，請務必確定您的供電系統有足夠的供電能力，如發現電壓異常、供電不足，建議您升級使用MICROBEAST PLUS HD無平衡翼系統(選配)，以能確保充足、穩定的接收器電源。
  - 2.MICROBEAST PLUS/HD使用、設定、接線，請參照BEASTX MICROBEAST PLUS/HD官方說明。
  - 3.任何電子配件、零件的設定、組裝、修改或操作不良所造成的電壓異常、電子零件損壞，即可能造成供電不穩定等問題，每趟飛行前須注意仔細檢查，防止機件及電子零件故障而引發不可預期的意外。

## MANUAL LINK 設定操作連結

MICROBEAST PLUS Flybarless System is the V4.2 version out of the factory, please feel at ease using it. You can also link to BEASTX MICROBEAST PLUS/HD website to get the latest version and the latest news. And please refer to MICROBEAST PLUS V3.2.x and V4.2 instruction manual for operating and setting.

MICROBEAST PLUS無平衡翼系統，出廠時主程式為V4.2版本。您也可以連結至BEASTX MICROBEAST PLUS/HD官網查詢，隨時更新最新版本及各項最新訊息。操作設定請同時參照V3.2.x版及V4.2版使用說明書。



Please visit Align download area to get the completed instruction manual at Align website.

更多詳細的設定操作說明請至官網下載專區下載。  
<http://www.align.com.tw/beastx/>

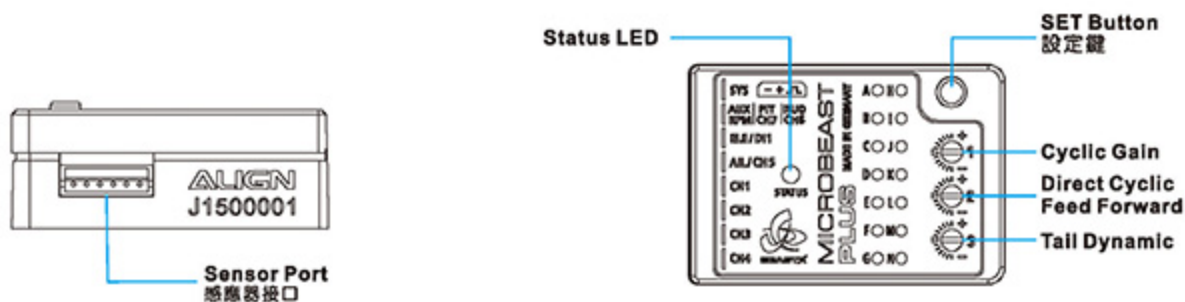


MICROBEAST PLUS  
6-AXIS MEMO SENSOR SYSTEM FOR RC MODELS

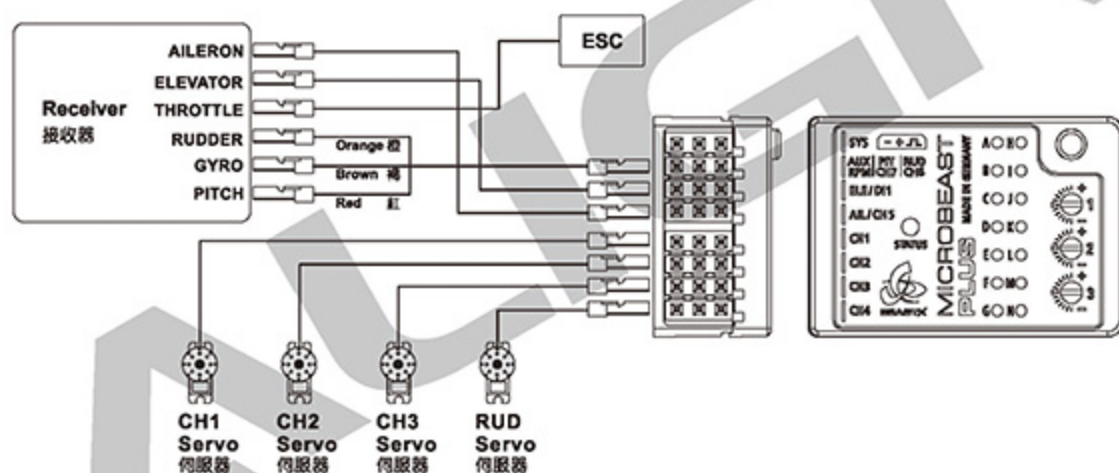


## PARTS IDENTIFICATION 各部位名稱

### MICROBEAST PLUS FLYBARLESS SYSTEM 無平衡翼系統



### MICROBEAST PLUS FLYBARLESS SYSTEM WIRING DIAGRAM 無平衡翼系統接線示意圖



For detail connectivity, please scan QR Code then follow MICROBEAST PLUS manual.

詳細接線方式，請掃描QR Code連結至MICROBEAST PLUS說明書。



#### MICROBEAST PLUS HD Flybarless System(Optional) MICROBEAST PLUS HD無平衡翼系統(選配)

If assembling and operating the helicopter without using ALIGN standard equipment, including electronic equipment & blades...etc, please make sure there is a sufficiently large and stable power supply to your helicopter. If there is any abnormal voltage or insufficient power supply, suggest to upgrade the flybarless system to MICROBEAST PLUS HD (Optional) for better power back up. Please refer to BEASTX website for MICROBEAST PLUS HD assembly and setup instruction.

安裝、操控您的直昇機時，如非使用ALIGN標準配件(含電子配件、主旋翼等)，請務必確定您的供電系統有足夠的供電能力，如發現電壓異常、供電不足，建議您升級使用MICROBEAST PLUS HD無平衡翼系統(選配)，以能確保充足、穩定的接收器電源。MICROBEAST PLUS HD使用、設定、接線，請參照MICROBEAST PLUS HD官方說明。



To set this option is to turn on the transmitter and connect to BEC power.

**Note:** For the safety, please do not connect ESC to the brushless motor in order to prevent any accident caused by the motor running during the setting.

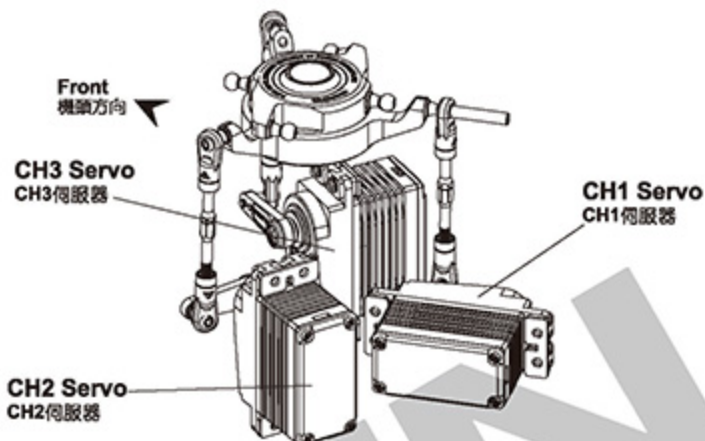
此項設定只要開啟發射器，接上BEC電源即可進行操作。

注意：為了安全起見，設定前請先不要將無刷調速器與無刷馬達三條線接上，以免調整時啟動馬達而發生危險。

### SERVO CONFIGURATION 伺服器配置

Following the servo configuration diagram on right, plug the servos to Gyro.

請依照右圖圖示的伺服器名稱，將伺服器接到陀螺儀。



### 14.AJUSTMENTS FOR GYRO AND TAIL NEUTRAL SETTING 陀螺儀與尾翼中立點設定調整

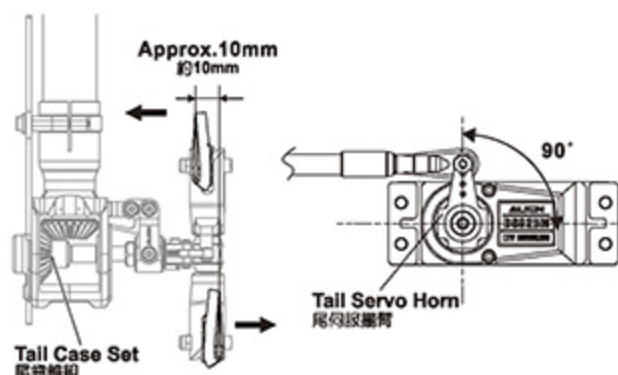
Turn off Revolution mixing (RVMX) mode on the transmitter, then set the gain switch on the transmitter and the gyro to non-head lock mode, or disable gain completely. After setting the transmitter, connect the helicopter power and proceed with rudder neutral point setting. **Note:** When connecting to the helicopter power, please do not touch tail rudder stick and the helicopter, wait for 3 seconds for gyro to enable, and the rudder servo horn should be 90 degrees to the tail servo. Tail pitch slider should be halfway on the tail output shaft. This will be the standard rudder neutral point. After completing this setting, set the gain switch back to heading lock mode, with gain at around 70%.

發射器內陀螺儀設定請關閉根軸混控模式，並將發射器上的感度開關與陀螺儀切至“非鎖定模式”或將陀螺儀感度關閉。發射器設定完成後接上直昇機電源，即可進行尾舵中立點設定。注意：當接上直昇機電源時請勿動搖尾舵搖桿或碰觸機體，待3秒陀螺儀開機完成後，尾舵舵臂需與尾伺服器約成90度，尾旋翼控制組須正確置於尾橫軸約中間位置，即為標準尾舵中立點設定，設定完成後，切換至“鎖定模式”，感度設約70%左右。

#### TAIL NEUTRAL SETTING 尾中立點設定

After the gyro is enable and under non-head lock mode, correct setting position of tail servo and tail pitch assembly is as photo. If the tail pitch assembly is not in the middle position, please adjust the length of rudder control rod to trim.

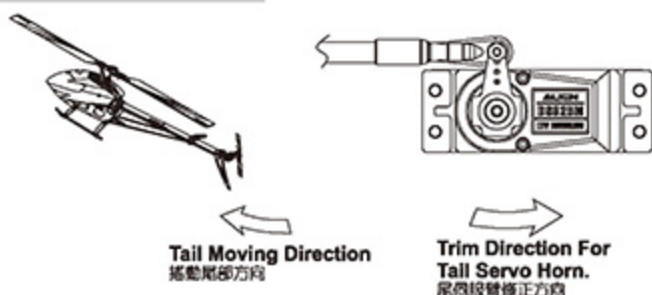
陀螺儀開機後，在非鎖定模式下，尾伺服器與尾 Pitch 控制組正確擺置位置。若尾 Pitch 控制組未置中時請調整尾控制連桿的長度來修正。



#### HEAD LOCK DIRECTION SETTING OF GYRO 陀螺儀鎖定方向設定

To check the head lock direction of gyro is to move the tail clockwise and the tail servo horn will be trimmed counterclockwise. If it trims in the reverse direction, please switch the gyro to "REVERSE".

陀螺儀鎖定方向確認，當手搖尾部順時鐘擺動，尾舵舵臂應反時鐘修正，反向時請切換陀螺儀上“鎖定反向”開關修正。





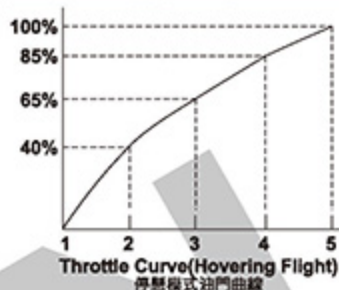


The rotational speed must set below 2,200RPM for safety to prevent any unexpected danger.  
直昇機的主旋翼有安全使用轉速範圍，飛行時不可超過2,200 rpm，超轉會導致不可預期的危險，甚至危害他人生命財產。

**GENERAL FLIGHT 一般飛行模式**

**GENERAL FLIGHT 一般飛行模式**

Throttle 油門	Pitch 螺距
5 100% High Speed 100% 高速	+12°
4 85%	
3 60%~65% Hovering 60%~65% 停懸	+5°
2 40%	
1 0% Low Speed 0% 低速	-2° ~ 0°

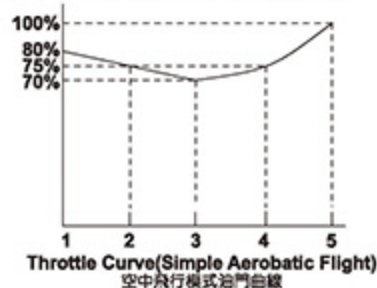


**Pitch and Rotation Speed Pitch與轉速關係**

TIP: It is recommended to use a lower pitch setting when using higher RPM Head speed. This will allow for better power.  
搭配要領: 如果使用較高轉速馬達動力建議搭配調低 Pitch，將獲得較佳動力效能。

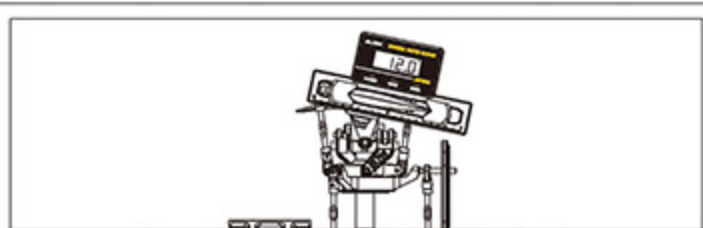
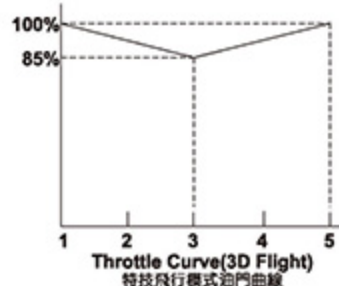
**IDLE 1: SPORT FLIGHT**

Throttle 油門	Pitch 螺距
5 100%	+10° ~ +12°
4 75%	
3 70%	+5°
2 75%	
1 80%	-5°



**IDLE 2: 3D FLIGHT**

Throttle 油門	Pitch 螺距
5 100% High 100% 高	+12°
3 85% Middle 85% 中	0°
1 100% Low 100% 低	-12°



Stick position at high/Throttle 100%/Pitch+12°  
搖桿高速/油門100%/Pitch+12°

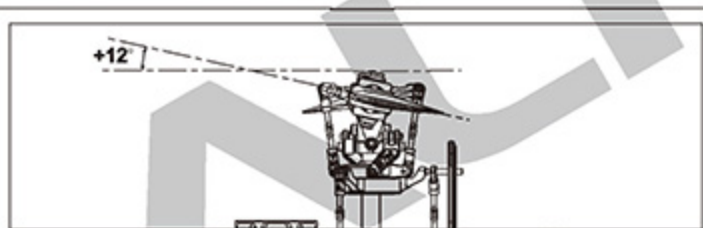


Stick position at Hovering/Throttle 70%/Pitch+5°  
搖桿停懸/油門70%/Pitch+5°

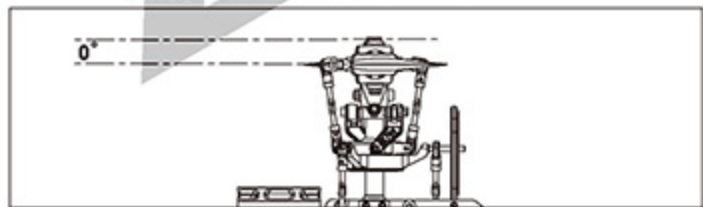


Stick position at low/Throttle 0%/Pitch-2°~0°  
搖桿低速/油門0%/Pitch-2°~0°

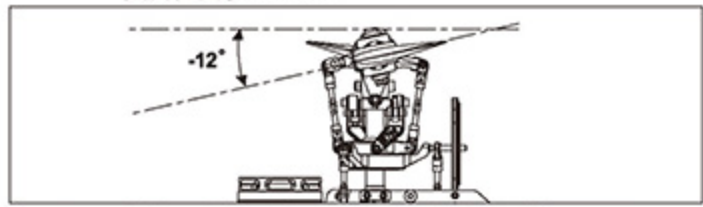
**3D FLIGHT 3D特技飛行模式**



Stick position at high/Throttle 100%/Pitch+12°  
搖桿高速/油門100%/Pitch+12°



Stick position at middle/Throttle 90%/Pitch 0°  
搖桿中速/油門90%/Pitch 0°



Stick position at low/Throttle 100%/Pitch-12°  
搖桿低速/油門100%/Pitch-12°



1. Pitch range : Approx. ±15° .
2. If the pitch is set too high, it will result in shorter flight duration and poor motor performance.
3. Setting the throttle to provide a higher speed is preferable to increasing the pitch too high.

1. 螺距(Pitch)總行程約 ±15° .
2. 過大螺距設定，會導致動力與飛行時間降低。
3. 動力提升以較高轉速的設定方式，優於螺距調大的設定。



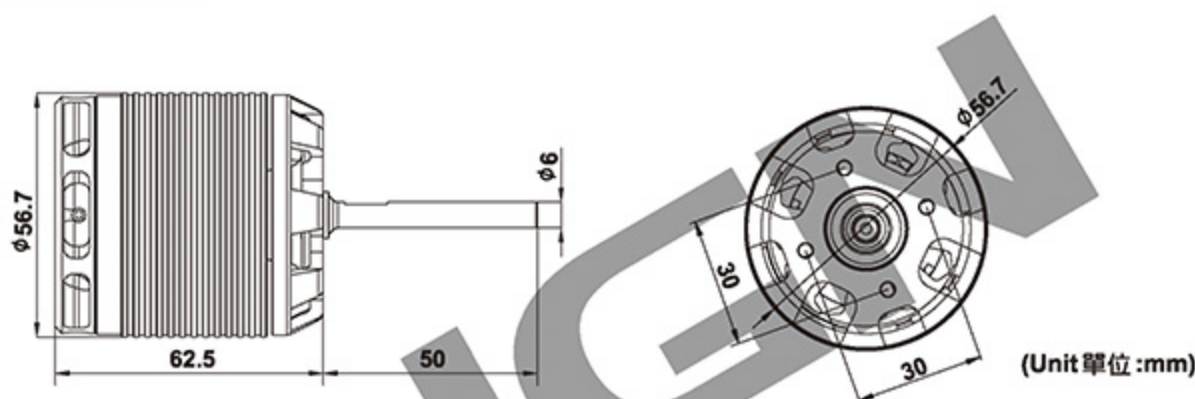
**RCM-BL850MX (490KV/4535) MOTOR** RCM-BL850MX (490KV/4535) 無刷馬達

Power and torque requirements of enthusiasts, the high output 850MX motor was born in Align's R&D lab. With dramatic increase in torque and power output, capable of 5100 watts continuous power output and 11000 watts of burst power!

850MX Motor has passed various thorough inspections made by our technical department, including motive testing, static testing, magnetic field testing, heat resistance and magnetic loss testing, running balance and vibration testing, noise testing, and many hours of actual loading and flying testing, etc. Align is proud to provide the latest innovations in RC Modeling to its consumers. Please enjoy your Align products safely.

亞拓特別針對玩家大動力、高扭力的需求，研發設計出為極致動力而生的 850MX 馬達，動力輸出與扭力表現大幅提升，持續輸出功率達 5100W，瞬間最大輸出功率可達 11000W。

本公司生產的高扭力高轉速 850MX 馬達，適用於 RC 電動商品，其高功率高效率輸出特性，適合電動飛機/電動模型機之高扭力高轉速驅動動力用途，速度控制可採本公司或市售規格無刷電子變速器。轉子採用高磁性材料釹鐵硼精製而成，定子採用本廠 NC 自動繞線與高強度樹脂成型保護，耐高溫低震動。心軸採用高硬度高鋼性軸承鋼及雙 ZZ 高速精密軸承設計，且經由亞拓獨立開發設計技術，使用壽命長、效率高、耐撞不易變形、低磁損、高效能 850 型無刷馬達。該項新商品已通過本廠技術單位，實施精密嚴格動、靜態、磁場特性、強磁耐高溫磁損、運轉平衡震動及噪音、負載實測飛行動態性能等全項嚴格檢測。

**SPECIFICATION 尺寸規格**

<b>KV</b>	<b>KV 值</b>	490KV(RPM/V)	<b>Input Voltage</b>	<b>輸入電壓</b>	12S
<b>Stator Diameter</b>	<b>定子外徑</b>	45 mm	<b>Stator Thickness</b>	<b>定子高度</b>	35mm
<b>Stator Arms</b>	<b>矽鋼片槽數</b>	12	<b>Magnet Poles</b>	<b>磁鐵極數</b>	10
<b>Max Continuous Current</b>	<b>最大持續電流</b>	115A	<b>Max Instantaneous Current</b>	<b>最大瞬間電流</b>	250A(2sec)
<b>Max Continuous Power</b>	<b>最大持續功率</b>	5100W	<b>Max Instantaneous Power</b>	<b>最大瞬間功率</b>	11000W(2sec)
<b>Dimension</b>	<b>尺寸</b>	Shaft $\phi 6 \times 56.7 \times 112.5$ mm	<b>Weight</b>	<b>重量</b>	Approx. 570g

**ILLUSTRATION 接線示意圖**

The motor rotates in different direction with different brand ESCs. If the wrong rotating direction happens, please switch any two cables to make the motor rotates in right direction.

由於各品牌電子變速器的馬達啟動轉向不盡相同，若發生轉向錯誤時，請將馬達與電子變速器的接線任兩條對調即可。



## PLEASE PRACTICE SIMULATION FLIGHT BEFORE REAL FLYING 飛行前請先熟練電腦模擬飛行

A safe and effective practice method is to use the transmitter flying on the computer through simulator software sold on the market. Do a simulation flight until you familiarize your fingers with the movements of the rudders, and keep practicing until the fingers move naturally.

1. Place the helicopter in a clear open field (Make sure the power OFF) and the tail of helicopter point to yourself.
2. Practice to operate the throttle stick (as below illustration) and repeat practicing "Throttle high/low", "Aileron left/right", "Rudder left/right", and "Elevator up/down".
3. The simulation flight practice is very important, please keep practicing until the fingers move naturally when you hear operation orders being call out.

在還沒瞭解直昇機各動作的操控方式前，嚴禁實機飛行，請先進行電腦模擬飛行的練習，一種最有效、最安全的練習方式，就是透過市面販售的模擬軟體，以遙控器在電腦上模擬飛行，熟悉各種方向的操控，並不斷的重複，直到手指可熟練的控制各個動作及方向。

1. 將直昇機放在空曠的地方(確認電源為關閉)，並將直昇機的機尾對準自己。
2. 練習操作遙控器的各搖桿(各動作的操作方式如下圖)，並反覆練習油門高/低、副翼左/右、升降舵前/後及方向舵左/右操作方式。
3. 模擬飛行的練習相當重要，請重複練習直到不需思索，手指能自然隨著喊出的指令移動控制。



Mode 1	Mode 2	Illustration 圖示
Aileron 副翼		<ul style="list-style-type: none"> <li>Move Left 左移</li> <li>Move Right 右移</li> <li>Rotate Left 左翻</li> <li>Rotate Right 右翻</li> </ul>
Elevator 升降/前後		<ul style="list-style-type: none"> <li>Fly Forward 前進</li> <li>Fly Backward 後退</li> <li>Forward Rotate 前翻</li> <li>Backward Rotate 後翻</li> </ul>
Throttle 油門		<ul style="list-style-type: none"> <li>Ascent 上升</li> <li>Descent 下降</li> </ul>
Rudder 方向		<ul style="list-style-type: none"> <li>Turn Right 右旋</li> <li>Turn Left 左旋</li> </ul>

## FLIGHT ADJUSTMENT AND NOTICE 飛行調整與注意



- ⊙ Check if the screws are firmly tightened.
- ⊙ Check if the transmitter and receivers are fully charged.
- ⊙ 再次確認→螺絲是否鎖固?
- ⊙ 發射器和接收器電池是否足夠。



If there are other radio control aircraft at the field, make sure to check their frequencies and tell them what frequency you are using. Frequency interference can cause your model, or other models to crash and increase the risk of danger. 假使飛行場有其他遙控飛機，請確認他們的頻率，並告知他們您正在使用的頻率，相同的頻率會造成干擾導致失控和大大地增加風險。

- When arriving at the flying field.
- 當抵達飛行場



## STARTING AND STOPPING THE MOTOR 啟動和停止馬達



First check to make sure no one else is operating on the same frequency. Then place the throttle stick at lowest position and turn on the transmitter. 首先確認附近沒有其他相同頻率的使用，然後打開發射器將油門搖桿推到最低點。

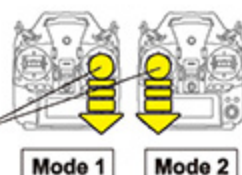
- Check the movement.
- 動作確認



ON! Step1  
First turn on the transmitter.  
先開啟發射器



Check if the throttle stick is set at the lowest position. 確認油門搖桿是在最低的位置。



- ⊙ Are the rudders moving according to the controls?
- ⊙ Follow the transmitter's instruction manual to do a range test.
- ⊙ 方向舵是否隨著控制方向移動?
- ⊙ 根據發射器說明書進行距離測試。



ON! Step2  
Connect to the helicopter power  
接上直昇機電源

OFF! Step3  
Reverse the above orders to turn off.  
關閉電源時請依上述操作動作反執行。





This procedure is best performed on soft surfaces such as grass. The use of rubber skid stopper is recommended on hard surface to prevent vibration feedback from the ground to Gyro, resulting in over-corrections.

將直升機置於柔軟地面上，建議硬地起飛腳架裝上避震墊圈。避免升空前腳架與過硬的地面震動太大反饋至機身上的陀螺儀，影響無平衡系統升空前過度修正。

Rubber Skid Stoppers Installed  
裝上避震墊圈



If swashplate should tilt prior to lift off, do not try to manually trim the swashplate level. This is due to vibration feedback to the Gyro, and will disappear once helicopter lifts off the ground. If manual trim is applied, helicopter will tilt immediately after liftoff.

直昇機離地前，十字盤可能因陀螺儀受震動的回饋，使十字盤有傾斜的情形，此時請勿刻意將十字盤修正為水平狀態，此現象只要離地升空時立即解除，可平穩升空；若刻意將十字盤修正為水平時，反而會造成感應器過度修正，一離地即偏向修正方向的危險。

## MAIN ROTOR ADJUSTMENTS 主旋翼雙槳平衡調整

1. Before adjusting, apply a red piece of tape on one blade, or paint a red stripe with a marker or paint to identify on blade.
2. Raise the throttle stick slowly and stop just before the helicopter lifts-off ground. Look at the spinning blades from the side of the helicopter.
3. Look at the path of the rotor carefully. If the two blades rotate in the same path, it does not need to adjustment. If one blade is higher or lower than the other blade, adjust the tracking immediately.

1. 調整前先在其中一支主旋翼的翼端，貼上有顏色的貼紙或畫上顏色記號，方便雙槳調整辨識。
2. 慢慢的推起油門搖桿到高點並且停止，在飛機離地前，從飛機側邊觀察主旋翼轉動。
3. 仔細觀察旋翼軌跡(假如兩支旋翼移動都是相同軌跡，則不需要調整；可是如果一支旋翼較高或較低產生“雙槳”的情形時，則必須立刻調整軌跡)。

- a. When rotating, the blade with higher path means the pitch is too big. Please shorten ball link for regular trim.
- b. When rotating, the blade with lower path means the pitch is too small. Please lengthen ball link for regular trim.

- a. 旋翼轉動時較高軌跡的主旋翼表示螺距(PITCH)過大，請調短連桿修正。
- b. 旋翼轉動時較低軌跡的主旋翼表示螺距(PITCH)過小，請調長連桿修正。



Tracking adjustment is very dangerous, so please keep away from the helicopter at a distance of at least 10m.

調整軌跡非常危險，請於距離飛機最少10公尺的距離。

Incorrect tracking may cause vibrations. Please repeat adjusting the tracking to make sure the rotor is correctly aligned. After tracking adjustment, please check the pitch angle is approx.  $+5\sim 6^\circ$  when hovering.

不正確的旋翼軌跡會導致震動，請不斷重複調整軌跡，使旋翼軌跡精準正確。  
在調整軌跡後，確認一下Pitch角度在停旋時應為大約 $+5\sim 6^\circ$ 。

Color Mark 有標示記號的主旋翼



## FLIGHT ADJUSTMENT AND NOTICE 飛行調整與注意



⊙ Do not attempt to grab or make contact with the helicopter while the main blades are in motion and keep your eyes away from the helicopter. During take-off, landing, and flight, be sure to keep the helicopter away from all obstacles. Operators must stand at least 10 meters away from the helicopter to avoid injury caused by loose parts due to improper assembly or any unforeseen dangers.

⊙ 嚴禁用手抓取運行中的直昇機，並禁止將直昇機對著眼睛，當主旋翼轉動後，或起飛/試飛時，務必遠離障礙物，站立位置必需距離10公尺以上，避免因人為組裝不當造成零件脫落，而引發不可預期的財物及人員損傷。



- ⊙ Make sure that no one or obstructions in the vicinity.
- ⊙ For flying safety, please carefully check if every movement and directions are correct when hovering.
- ⊙ 確認鄰近地區沒有人和障礙物。
- ⊙ 為了飛行安全，您必須先確認停懸時各項操控動作是否正常。



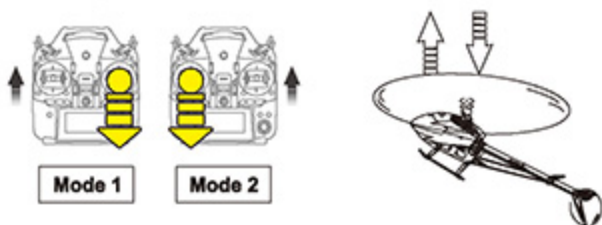
Do not attempt to fly until you have some experiences with the operation of helicopter.  
嚴禁無熟練操控飛行經驗者操控飛行。



## STEP 1 THROTTLE CONTROL PRACTICE 油門控制練習

◎When the helicopter begins to lift-off the ground, slowly reduce the throttle to bring the helicopter back down. Keep practicing this action until you control the throttle smoothly.

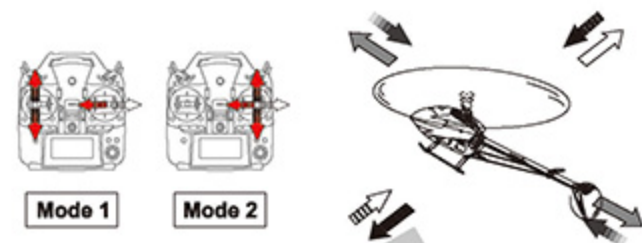
◎當直昇機開始離地時，慢慢降低油門將飛機降下。持續練習飛機從地面上升和下降直到您覺得油門控制很順。



## STEP 2 AILERON AND ELEVATOR CONTROL PRACTICE 副翼和升降控制練習

1. Raise the throttle stick slowly.  
2. Move the helicopter in any direction back, forward, left and right, slowly move the aileron and elevator sticks in the opposite direction to fly back to its original position.

1. 慢慢升起油門搖桿。  
2. 使直昇機依指示：移動向後/向前/向左/向右，慢慢的反向移動副翼和升降搖桿並將直昇機回到原來位置。



◎If the nose of the helicopter moves, please lower the throttle stick and land the helicopter. Then move your position diagonally behind the helicopter 10M and continue practicing.

◎If the helicopter flies too far away from you, please land the helicopter and move your position behind 10M and continue practicing.

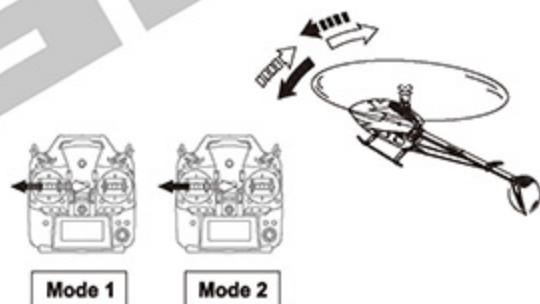
◎當直昇機機頭偏移時，請降低油門並且降落，然後移動自己的位置到直昇機的正後方10公尺再繼續練習。

◎假如直昇機飛離你太遠，請先降落直昇機，並到直昇機後10公尺再繼續練習。

## STEP 3 RUDDER CONTROL PRACTICING 方向舵操作練習

1. Slowly raise the throttle stick.  
2. Move the nose of the helicopter to right or left, and then slowly move the rudder stick in the opposite direction to fly back to its original position.

1. 慢慢升起油門搖桿。  
2. 將直昇機機頭移動左或右，然後慢慢反向移動方向舵搖桿並將直昇機飛回原本位置。



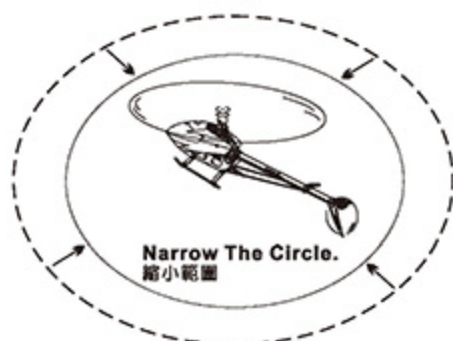
## STEP 4

After you are familiar with all actions from STEP1 to 3, draw a circle on the ground and practice within the circle to increase your accuracy.

當你覺得 STEP1~3 動作熟悉了，在地上畫圓圈並在這個圓圈的範圍內練習飛行，以增加你操控的準確度。

◎You can draw a smaller circle when you get more familiar with the actions.

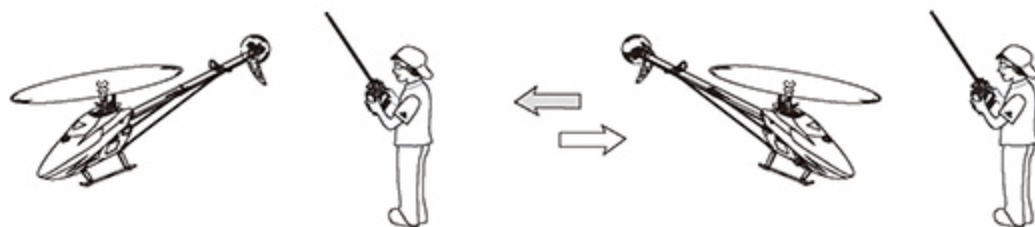
◎當你更加習慣操作動作，你可以畫更小的圓圈。



## STEP 5 DIRECTION CHANGE AND HOVERING PRACTICE 改變直昇機方向和練習停旋

After you are familiar with STEP1 to 4, stand at side of the helicopter and continue practicing STEP1 to 4. Then repeat the STEP1 to 4 by standing right in front of the helicopter.

當你覺得STEP1~4動作熟悉了，站在面對直昇機側邊並繼續練習STEP1~4。之後，站在直昇機機頭右邊重複步驟練習。





	Problem 狀況	Cause 原因	Solution 對策
Blade Tracking 雙槳平衡	Tracking is Off 雙槳	Pitch linkage rods are not even length PITCH連桿長度調整不平均	Adjust length of Linkage rod A. 調整連桿A長度
Hover 停懸	Head speed too low 主旋翼轉速偏低	Excessive pitch 主旋翼的PITCH偏高	Adjust ball link to reduce pitch by 4 to 5 degrees. Hovering head speed should be around 1700~1800RPM. 調整連桿頭請低Pitch約+4~5度 (停懸時主旋翼轉速為約1700~1800RPM)
		Hovering throttle curve is too low 停懸點油門曲線過低	Increase throttle curve at hovering point on transmitter (around 60%) 調高停懸點油門曲線(約60%)
	Head speed too high 主旋翼轉速偏高	Not enough pitch 主旋翼的PITCH偏低	Adjust ball link to increase pitch by 4 to 5 degrees. Hovering head speed should be around 1700~1800RPM. 調整連桿頭請高Pitch約+4~5度 (停懸時主旋翼轉速為約1700~1800RPM)
		Hovering throttle curve is too high 停懸點油門曲線過高	Decrease throttle curve at hovering point on transmitter (around 60%) 調低停懸點油門曲線(約60%)
Rudder Response 尾舵反應	Drifting of tail occurs during hovering, or delay of rudder response when centering rudder stick. 停懸時尾翼向某一邊偏移，或撥動方向舵並回復到中立點時，尾翼產生延遲，無法停頓在所控制位置上。	Rudder neutral point improperly set 尾中立點設定不當	Reset rudder neutral point 重設尾中立點
	Tail oscillates (hunting, or wags) at hover or full throttle 停懸或全油門時尾翼左右來回搖擺。	Rudder gyro gain too low 尾舵陀螺儀感度偏低	Increase rudder gyro gain 增加尾舵陀螺儀感度
		Rudder gyro gain too high 尾舵陀螺儀感度偏高	Reduce rudder gyro gain 降低尾舵陀螺儀感度

If above solution does not resolve your issues, please check with experienced pilots or contact your Align dealer.

※在做完以上調整後，仍然無法改善情況時，應立即停止飛行並向有經驗的飛手諮詢或連絡您的經銷商。



Thank you for purchasing and supporting ALIGN products.

The Align Team is dedicated to you by innovating and developing new RC Helicopters, Multicopters, and FPV Racing Quads. We strive to provide a more diversified experience for our customers. Visit our website at [www.align.com.tw](http://www.align.com.tw) for latest news, information, and updates about our extensive line of products for the RC enthusiasts.

### Good Flying!

再次感謝您對亞拓系列商品的喜愛與支持，您的肯定是對我們最大的認同。

亞拓團隊秉持創新研發的精神，開發遙控直昇機／多軸飛行機／穿越機系列商品，提供給您體驗更多樣化的飛行樂趣。您可以透過下列連結，隨時瞭解亞拓的最新動態，以及各項訊息分享。

祝福您有一個愉快的飛行體驗。



**ALIGN T-REX Helicopter** 亞拓遙控直昇機  
<http://www.align.com.tw/helicopter-en/>



**ALIGN Multicopter** 亞拓多軸飛行機  
<http://www.align.com.tw/multicopter-en/>



**ALIGN FPV Racing Quad** 亞拓穿越機  
<http://www.align.com.tw/multicopter-en/mr25/>



**ALIGN Website** 亞拓官網  
<http://www.align.com.tw>



**ALIGN Shopping Cart** 亞拓購物車  
<http://shop.align.com.tw/index.php?language=en>



**ALIGN Quick Finder** 亞拓零件快速購  
<http://shop.align.com.tw/partfinder.php?language=en>



**ALIGN FaceBook**  
<https://www.facebook.com/Align-Corporation-194493419543/?ref=mf>



**ALIGN Instagram**  
<https://instagram.com/aligncorporation/>



**ALIGN YouTube**  
[https://www.youtube.com/channel/UCaPj\\_K5DNo7HSmP1eytUvMQ](https://www.youtube.com/channel/UCaPj_K5DNo7HSmP1eytUvMQ)



**ALIGN Youku**  
<http://i.youku.com/u/UMTQ0NjEwNjczNg==>



**ALIGN**



# ALIGN

## Specifications & Equipment/規格配備:

Length/機身長:1320mm

Height/機身高:360mm

Main Blade Length/主旋翼長:700mm

Main Rotor Diameter/主旋翼直徑:1582mm

Tail Rotor Diameter/尾旋翼直徑:281mm

Motor Drive Gear/馬達齒輪:13T

Main Drive Gear/主齒輪:110T

Autorotation Tail Drive Gear/尾驅動主齒:102T

Tail Drive Gear/尾翼傳動齒:23T

Drive Gear Ratio/齒輪傳動比: 8.46:1:4.43

Flying Weight(with batteey)/全配重(含電池): Approx. 5100g

