

DOMINATOR T-REX 550L Combo

INSTRUCTION MANUAL

使用說明書

RH55E11XT

ALIGN



Contents	
1	INTRODUCTION 前言
1~2	SAFETY NOTES 安全注意事項
3	EQUIPMENT REQUIRED FOR ASSEMBLY 自備設備
3	PACKAGE ILLUSTRATION 包裝說明
4	SAFETY CHECK BEFORE FLYING 飛行前安全檢查重要事項
5~15	ASSEMBLY SECTION 組裝說明
16	EQUIPMENT INSTALLATION 各項設備配置圖
17	BATTERY INSTALLATION ILLUSTRATION 電池安裝示意圖
18	INSTALLATION FOR ESC 無刷調速器安裝
18	CANOPY ASSEMBLY 機頭罩安裝
19	ELECTRIC EQUIPMENT ILLUSTRATION 電子設備建議配置圖示
20	SERVO SETTING AND ADJUSTMENT 伺服器設定調整
20	ADJUSTMENTS FOR GYRO AND TAIL NEUTRAL SETTING 陀螺儀與尾翼中立點設定調整
21	PITCH AND THROTTLE SETTING 主旋翼螺距與油門設定
22	RCM-BL730MX 850KV POWER COLLOCATION REFERENCE 原裝動力數據參考表
22~23	CASTLE TALON 90 BRUSHLESS ESC INSTRUCTION MANUAL CASTLE TALON 90 無刷調速器使用說明
24~28	FLIGHT ADJUSTMENT AND SETTING 飛行動作調整與設定
27	TROUBLESHOOTING 飛行中狀況排除




Thank you for buying ALIGN products. The T-REX 550L Dominator is the latest technology in Rotary RC models. Please read this manual carefully before assembling and flying the new T-REX 550L Dominator helicopter. We recommend that you keep this manual for future reference regarding tuning and maintenance.

承蒙閣下選用亞拓遙控世界系列產品，謹表謝意。進入遙控世界之前必須告訴您許多相關的知識與注意事項，以確保您能夠在學習的過程中較得心應手。在開始操作之前，請務必詳閱本說明書，相信一定能夠給您帶來相當大的幫助，也請您妥善保管這本說明書，以作為日後參考。

Thank you for buying ALIGN Products. The T-REX 550L Dominator Helicopter is designed as an easy to use, full featured Helicopter R/C model capable of all forms of rotary flight. Please read the manual carefully before assembling the model, and follow all precautions and recommendations located within the manual. Be sure to retain the manual for future reference, routine maintenance, and tuning. The T-REX 550L Dominator is a new product developed by ALIGN. It features the best design available on the Micro-Heli market to date, providing flying stability for beginners, full aerobatic capability for advanced filers, and unsurpassed reliability for customer support.

感謝您選購亞拓產品，為了讓您容易方便的使用 T-REX 550L Dominator 直昇機，請您詳細的閱讀完這本說明書之後再進行組裝以及操作這台直昇機，同時請您妥善的保存這本說明書，作為日後進行調整以及維修的參考。T-REX 550L Dominator 是由亞拓自行研發的新產品，不論您是需求飛行穩定性的初學者或是追求性能的飛行愛好者，T-REX 550L Dominator 將是您最佳的選擇。

WARNING LABEL LEGEND 標誌代表涵義

 FORBIDDEN 禁止	Do not attempt under any circumstances. 在任何禁止的環境下，請勿嘗試操作。
 WARNING 警告	Mishandling due to failure to follow these instructions may result in damage or injury. 因為疏忽這些操作說明，而使用錯誤可能造成財產損失或嚴重傷害。
 CAUTION 注意	Mishandling due to failure to follow these instructions may result in danger. 因為疏忽這些操作說明，而使用錯誤可能造成危險。

IMPORTANT NOTES 重要聲明

R/C helicopters, including the T-REX 550L Dominator are not toys. R/C helicopter utilize various high-tech products and technologies to provide superior performance. Improper use of this product can result in serious injury or even death. Please read this manual carefully before using and make sure to be conscious of your own personal safety and the safety of others and your environment when operating all ALIGN products. Manufacturer and seller assume no liability for the operation or the use of this product. This product is intended for use only by adults with experience flying remote control helicopters at a legal flying field. After the sale of this product we cannot maintain any control over its operation or usage.

As the user of this product, you are solely responsible for operating it in a manner that does not endanger yourself and others or result in damage to the product or the property of others.

T-REX 550L Dominator 遙控直昇機並非玩具，它是結合了許多高科技產品所設計出來的休閒用品，所以商品的使用不當或不熟悉都可能會造成嚴重傷害甚至死亡。使用之前請務必詳讀本說明書，勿輕忽並注意自身安全。注意！任何遙控直昇機的使用，製造商和經銷商是無法對使用者於零件使用的損耗異常或組裝不當所發生之意外負任何責任，本產品是提供給有操作過模型直昇機經驗的成人或有相當技術的人員在旁指導於當地合法遙控飛行場飛行，以確保安全無虞下操作使用，產品售出後本公司將不負任何操作和使用控制上的任何性能與安全責任。

做為本產品的使用者，您，是唯一對於您自己操作的環境及行為負全部的責任之人。

We recommend that you obtain the assistance of an experienced pilot before attempting to fly our products for the first time. A local expert is the best way to properly assemble, setup, and fly your model for the first time. The T-REX 700L DOMINATOR HV requires a certain degree of skill to operate, and is a consumer item. Any damage or dissatisfaction as a result of accidents or modifications are not covered by any warrantee and cannot be returned for repair or replacement. Please contact our distributors for free technical consultation and parts at discounted rates when you experience problems during operation or maintenance. As Align Corporation Limited has no control over use, setup, final assembly, modification or misuse, no liability shall be assumed nor accepted for any resulting damage or injury. By the act of use, setup or assembly, the user accepts all resulting liability.

模型商品屬於需高操作技術且為消耗性之商品，如經拆裝使用後，會造成不等情況零件損耗，任何使用情況所造成商品不良或不滿意，將無法於保固條件內更換新品或退貨，如遇有使用操作維修問題，本公司全省分公司或代理商將提供技術指導、特價零件供應服務。對使用者的不當使用、設定、組裝、修改、或操作不良所造成的破損或傷害，本公司無法控制及負責。任何使用、設定、組裝、修改、或操作不良所造成的破損、意外或傷害，使用者應承擔全部責任。

2. SAFETY NOTES 安全注意事項



- Fly only in safe areas, away from other people. Do not operate R/C aircraft within the vicinity of homes or crowds of people. R/C aircraft are prone to accidents, failures, and crashes due to a variety of reasons including, lack of maintenance, pilot error, and radio interference. Pilots are responsible for their actions and damage or injury occurring during the operation or as of a result of R/C aircraft models.
- Prior to every flight, carefully check rotorhead spindle shaft screws and tail blade grip screws, linkage balls and screws, ensure they are firmly secured.
- 遙控模型飛機、直昇機屬高危險性商品，飛行時務必遠離人群，人為組裝不當或機件損壞、電子控制設備不良，以及操控上的不熟悉、都有可能導致飛行失控損傷等不可預期的意外，請飛行者務必注意飛行安全，並需了解自負疏忽所造成任何意外之責任。
- 每趟飛行前須仔細檢查，主旋翼夾座橫軸螺絲、尾旋翼夾座螺絲，以及機身各部位球頭、螺絲，確實上膠鎖緊才能升空飛行。

**LOCATE AN APPROPRIATE LOCATION** 遠離障礙物及人群

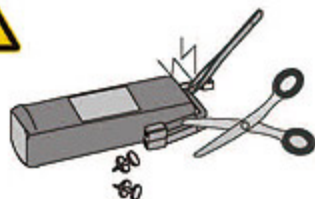
R/C helicopters fly at high speed, thus posing a certain degree of potential danger. Choose a legal flying field consisting of flat, smooth ground without obstacles. Do not fly near buildings, high voltage cables, or trees to ensure the safety of yourself, others and your model. For the first practice, please choose a legal flying field. Do not fly your model in inclement weather, such as rain, wind, snow or darkness.

直昇機飛行時具有一定的速度，相對的也潛在著危險性，場地的選擇也相對的重要，請遵守當地法規到合法遙控飛行場地飛行。務必選擇在空曠合法專屬飛行場地，並必須注意周遭有沒有人、高樓、建築物、高壓電線、樹木等等，避免操控的不當造成自己與他人財產的損壞。請勿在下雨、打雷等惡劣天候下操作，以確保本身及機體的安全。

**NOTE ON LITHIUM POLYMER BATTERIES** 鋰聚電池注意事項

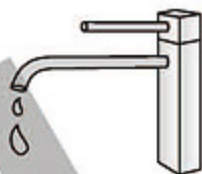
Lithium Polymer batteries are significantly more volatile than alkaline or Ni-Cd/Ni-MH batteries used in RC applications. All manufacturer's instructions and warnings must be followed closely. Mishandling of Li-Po batteries can result in fire. Always follow the manufacturer's instructions when disposing of Lithium Polymer batteries.

鋰聚電池跟一般在RC使用的鹼性電池、鎳鎘電池、鎳氫電池比較起來是相對危險的。請嚴格遵守鋰聚電池說明書之使用注意事項。不恰當使用鋰聚電池，可能造成火災並傷及生命財產安全，切勿大意！

**PREVENT MOISTURE** 遠離潮濕環境

R/C models are composed of many precision electrical components. It is critical to keep the model and associated equipment away from moisture and other contaminants. The introduction or exposure to water or moisture in any form can cause the model to malfunction resulting in loss of use, or a crash. Do not operate or expose to rain or moisture.

直昇機內部也是由許多精密的電子零組件組成，所以必須絕對的防止潮濕或水氣，避免在浴室或雨天時使用，防止水氣進入機身內部而導致機件及電子零件故障而引發不可預期的意外！

**PROPER OPERATION** 勿不當使用本產品

Please use the replacement of parts on the manual to ensure the safety of instructors. This product is for R/C model, so do not use for other purpose.

請勿自行改造加工，任何的升級改裝或維修，請使用亞拓產品目錄中的零件，以確保結構的安全。請確認於產品限內操作，請勿過載使用，並勿用於安全、法令外其它非法用途。

**OBTAIN THE ASSISTANCE OF AN EXPERIENCED PILOT** 避免獨自操控

Before turning on your model and transmitter, check to make sure no one else is operating on the same frequency. Frequency interference can cause your model, or other models to crash. The guidance provided by an experienced pilot will be invaluable for the assembly, tuning, trimming, and actual first flight or unforeseen danger may happen. (Recommend you to practice with computer-based flight simulator.)

至飛行場飛行前，需確認是否有相同頻率的同好正進行飛行，因為開啟相同頻率的發射機將導致自己與他人立即干擾等意外危險。遙控飛機操控技巧在學習初期有著一定的難度，要盡量避免獨自操作飛行，需有經驗的人士在旁指導，才可以操控飛行，否則將可能造成不可預期的意外發生。(動線電腦模擬器及老手指導是入門必要的選擇)

**SAFE OPERATION** 安全操作

Operate this unit within your ability. Do not fly under tired condition and improper operation may cause in danger. Never take your eyes off the model or leave it unattended while it is turned on. Immediately turn off the model and transmitter when you have landed the model.

請於自己能力內及需要一定技術範圍內操作這台直昇機，過於疲勞、精神不佳或不當操作，意外發生風險將可能提高。不可在視線範圍外飛行，降落後也請馬上關掉直昇機和遙控器電源。

**ALWAYS BE AWARE OF THE ROTATING BLADES** 遠離運轉中零件

During the operation of the helicopter, the main rotor and tail rotor will be spinning at a high rate of speed. The blades are capable of inflicting serious bodily injury and damage to the environment. Be conscious of your actions, and careful to keep your face, eyes, hands, and loose clothing away from the blades. Always fly the model a safe distance from yourself and others, as well as surrounding objects.

直昇機主旋翼與尾旋翼運轉時會以高轉速下進行，在高轉速下的旋翼會造成自己與他人在身體上或環境上的嚴重損傷，請勿觸摸運轉中的主旋翼與尾旋翼，並保持安全距離以避免造成危險及損壞。

**KEEP AWAY FROM HEAT** 遠離熱源


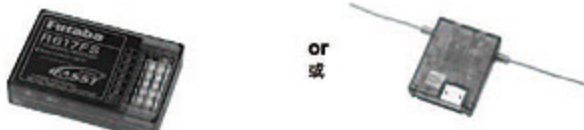



R/C models are made of various forms of plastic. Plastic is very susceptible to damage or deformation due to extreme heat and cold climate. Make sure not to store the model near any source of heat such as an oven, or heater. It is best to store the model indoors, in a climate-controlled, room temperature environment.

遙控飛機多半是以 PA 纖維或聚乙烯、電子商品為主要材質，因此要盡量遠離熱源、日曬，以避免因高溫而變形甚至熔毀損壞的可能。




RADIO TRANSMITTER AND ELECTRONIC EQUIPMENT REQUIRED FOR ASSEMBLY

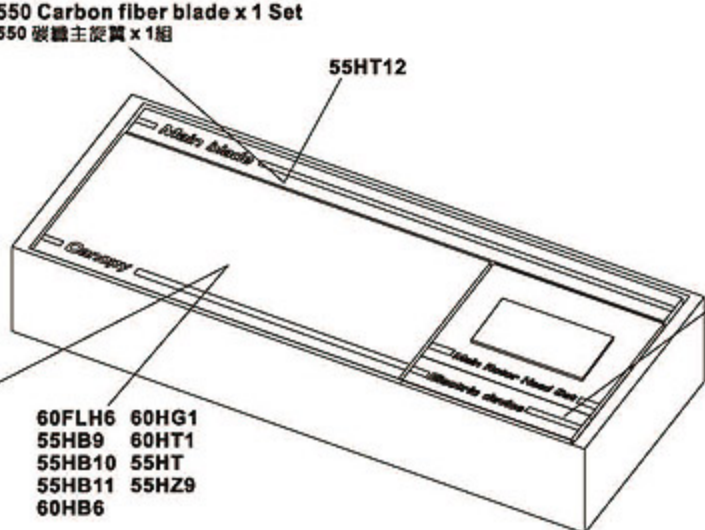
自備遙控及電子設備

 <p>Transmitter (7-channel or more, helicopter system) 發射器(七動以上直昇機模式遙控器)</p>	 <p>Receiver(7-channel or more) 接收器(七動以上)</p> <p>or 或</p> <p>Remote receiver 衛星天線</p>	
 <p>Gpro Flybarless System Gpro 無平衡翼系統</p>	 <p>Intelligent Balance Charger RCC-6CX 智慧型分配充電器 RCC-6CX</p>	 <p>22.2V 6S 2600~5200mAh Li-Po Battery x 2 pcs 22.2V 6S 2600~5200mAh LI-Po 電池 x 2</p>

ADDITIONAL TOOLS REQUIRED FOR ASSEMBLY 自備工具

 <p>Swashplate Leveler 十字盤調整器</p>	 <p>Digital Pitch Gauge 電子傾角規</p>	 <p>Multi-function Tester Voltmeter/Servo Diagnosis 多功能檢測計 電池電壓/伺服器檢測</p>			
 <p>Phillips Screw Driver 十字螺絲起子 φ 3.0/ φ 1.8mm</p>	 <p>Cutter Knife 刀子</p>	 <p>Hexagon Screw Driver 六角螺絲起子 4mm/3mm/2.5mm 2mm/1.5mm</p>	 <p>Needle Nose Pliers 尖嘴鉗</p>	 <p>Oil 潤滑油</p>	 <p>CA 瞬間膠</p>

4.PACKAGE ILLUSTRATION 包裝說明

 <p>550 Carbon fiber blade x 1 Set 550 碳纖維主旋翼 x 1組</p> <p>55HT12</p> <p>Canopy 機頭罩</p> <p>60FLH6 60HG1 55HB9 60HT1 55HB10 55HT 55HB11 55HZ9 60HB6</p>	<p>RCM-BL730MX Motor (850KV) x 1 RCM-BL730MX 無刷馬達(850KV) x 1</p> <p>Castle Talon 90 Brushless ESC x 1 Castle Talon 90 無刷調速器 x 1</p> <p>BL815H High voltage brushless Servo x 3 BL815H 高電壓無刷伺服器 x 3</p> <p>BL855H High voltage brushless Servo x 1 BL855H 高電壓無刷伺服器 x 1</p>
---	---

CAREFULLY INSPECT BEFORE REAL FLIGHT 請嚴格執行飛行前之檢查義務

- Before flying, please check to make sure no one else is operating on the same frequency for the safety.
 - Before flight, please check if the batteries of transmitter and receiver are enough for the flight.
 - Before turn on the transmitter, please check if the throttle stick is in the lowest position. IDLE switch is OFF.
 - When turn off the unit, please follow the power on/off procedure. Power ON- Please turn on the transmitter first, and then turn on receiver. Power OFF- Please turn off the receiver first and then turn off the transmitter. Improper procedure may cause out of control, so please to have this correct habit.
 - Before operation, check every movement is smooth and directions are correct. Carefully inspect servos for interference and broken gear.
 - Check for missing or loose screws and nuts. See if there is any cracked and incomplete assembly of parts. Carefully check main rotor blades and rotor holders. Broken and premature failures of parts possibly cause resulting in a dangerous situation.
 - Check all ball links to avoid excess play and replace as needed. Failure to do so will result in poor flight stability.
 - Check if the battery and power plug are fastened. Vibration and violent flight may cause the plug loose and result out of control.
- 每次飛行前應先確認所使用的頻率是否會干擾他人，以確保您自身與他人的安全。
- 每次飛行前確定您發射器與接收器電池的電量是在足夠飛行的狀態。
- 開機前確認油門搖桿是否位於最低點，熄火降落開關，定速開關 (IDLE) 是否於關閉位置。
- 開機時必須遵守電源開關機的程序，開機時應先開啟發射器後，再開啟接收器電源；關機時應先關閉接收器後，再關閉發射器電源。不正確的開關程序可能會造成失控的現象，影響自身與他人的安全，請養成正確的習慣。
- 開機請先確定直昇機的各個動作是否順暢，及方向是否正確，並檢查伺服器的動作是否有干涉或崩齒的情形，使用故障的伺服器將導致不可預期的危險。
- 飛行前確認沒有缺少或鬆脫的螺絲與螺帽，確認沒有組裝不完整或損毀的零件，仔細檢查主旋翼是否有損壞，特別是接近主旋翼夾座的部位。損壞或組裝不完整的零件不僅影響飛行，更會造成不可預期的危險。注意：每次飛行前的安全檢查、保養、及更換損耗零件，請確實嚴格執行以確保安全。
- 檢查所有的連桿頭是否有鬆脫的情形，過鬆的連桿頭應先更新，否則將造成直昇機無法操控的危險。
- 確認電池及電源接頭是否固定牢靠，飛行中的震動或激烈的飛行，可能造成電源接頭鬆脫而造成失控的危險。

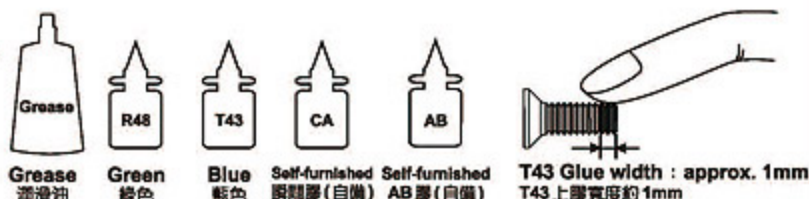
STANDARD EQUIPMENT 標準配備

 55HC4	 60FLH6	 55HB9	 55HB10	 55HB11
 60HB6	 60HG1	 60HT1	 55HT	 55HZ9
 55HT12		 550 Carbon Fiber Blade 550 碳纖維主旋翼		 Castle Talon 90 無刷副機 x 1
 D6FF Metal Servo Arm x 3 D6FF 金屬伺服臂 x 3	 BL815H High voltage brushless Servo x 3 BL815H 高電壓無刷副機 x 3	 BL855H High Voltage Brushless Servo x 1 BL855H 高電壓無刷副機 x 1	 M4x4 Set Screw x 1 M4x4 止咬螺絲 x 1	 RCM-BL730MX Motor (850KV) x 1 RCM-BL730MX (850KV) 無刷馬達 x 1

When you see the marks as below, please use glue or grease to ensure flying safety.

標有以下符號之組裝步驟，請配合上膠或上油，以確保使用之可靠度。

- CA : Apply CA Glue to fix.
AB : Apply AB Glue to fix.
R48 : Apply Anaerobics Retainer to fix.
T43 : Apply Thread Lock to fix.
OIL : Add Grease.
- CA : 使用瞬間膠固定
AB : 使用AB膠固定
R48 : 使用金屬管狀固定缺氣膠固定
T43 : 使用螺絲膠
OIL : 添加潤滑油



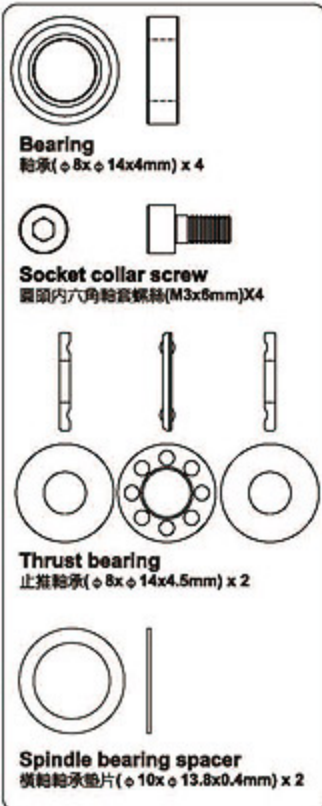
R48 metal tubular adhesive (eg. Bearings). T43 thread lock, apply a small amount on screws or metal parts and wipe surplus off. When disassembling, recommend to heat the metal joint about 15 Seconds. (NOTE : Keep plastic parts away from heat.)

R48 為強力金屬管狀 (如軸承) 接著劑，T43 為螺絲膠，膠合螺絲或金屬內外徑請務必少量使用，必要時請用手去除多餘膠量，欲拆卸時可於金屬接合部位熱烤約 15 秒。(注意！塑膠零件避免接近熱源)

When assembling ball links, make sure the "A" character faces outside.

各項塑膠連桿頭扣接時，A字請朝外。

60FLH6



Already assembled by Factory.
Before flying, please check if the screws are fixed with glue.
原裝組裝完成品，每一次飛行前請先確認螺絲是否已上膠不會鬆動。

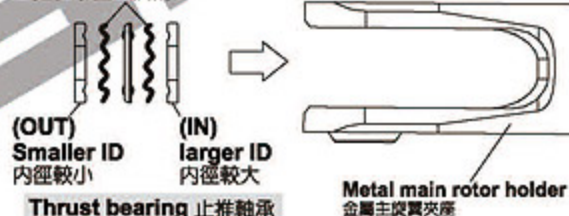


Thrust bearing and washer for radial bearing are wear items, and thus should be inspected for replacement after every 20 flights.
For flights with high headspeed, the inspection interval should be reduced to ensure flight safety.
止推軸承及橫軸墊圈屬於飛行消耗品，建議每20趟定期檢查及更換，高主旋翼轉速飛行時，請縮短定期檢查之週數，以確保飛行安全。

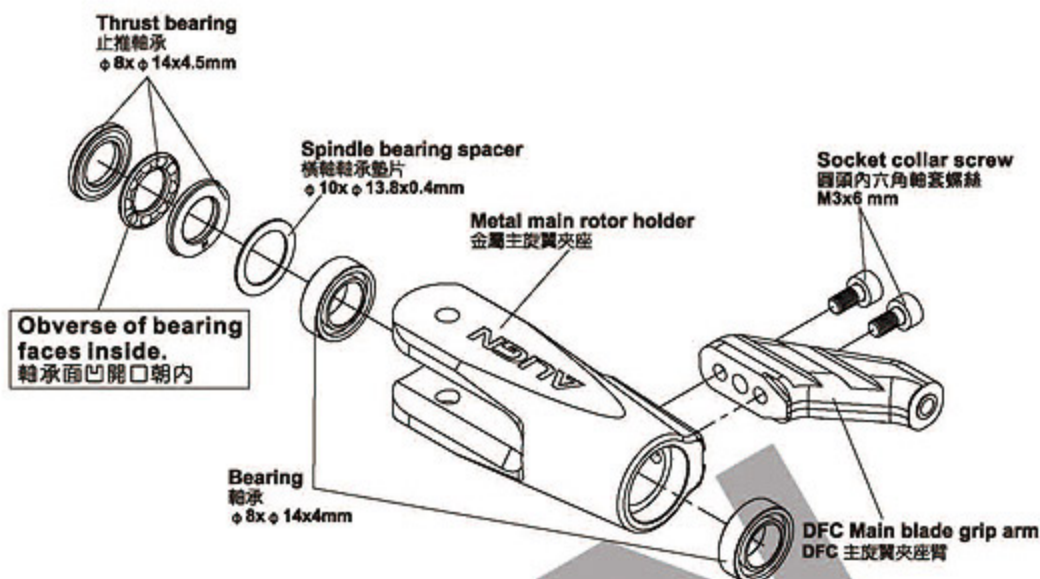


Apply grease on thrust bearing.

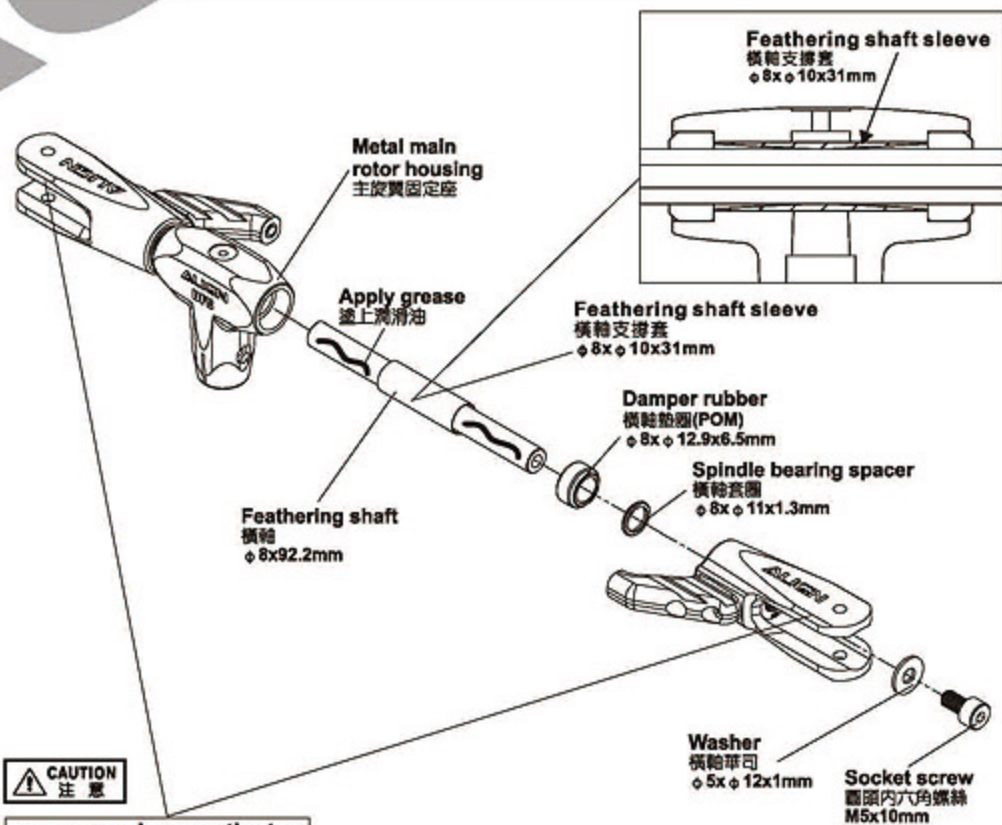
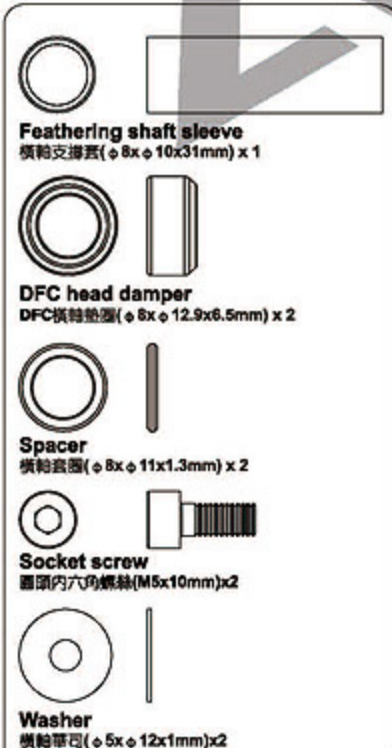
止推軸承塗上潤滑油



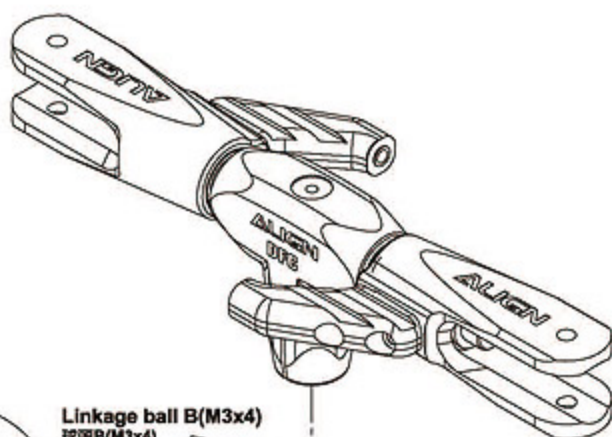
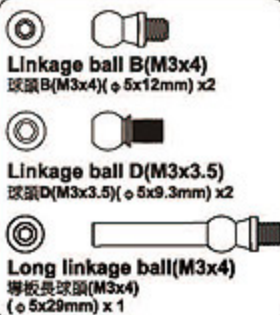
Apply a little amount of T43 thread lock when fixing a metal part.
螺絲鎖劑於金屬件請使用適量T43(螺絲膠)



60FLH6



55FLH6

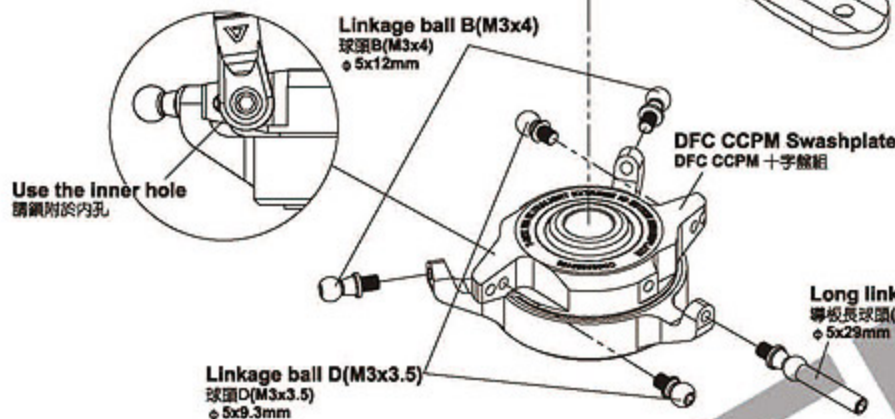


Apply a little amount of T43 thread lock when fixing a metal part.
螺絲鎖附於金屬件請使用適量T43(螺絲膠)

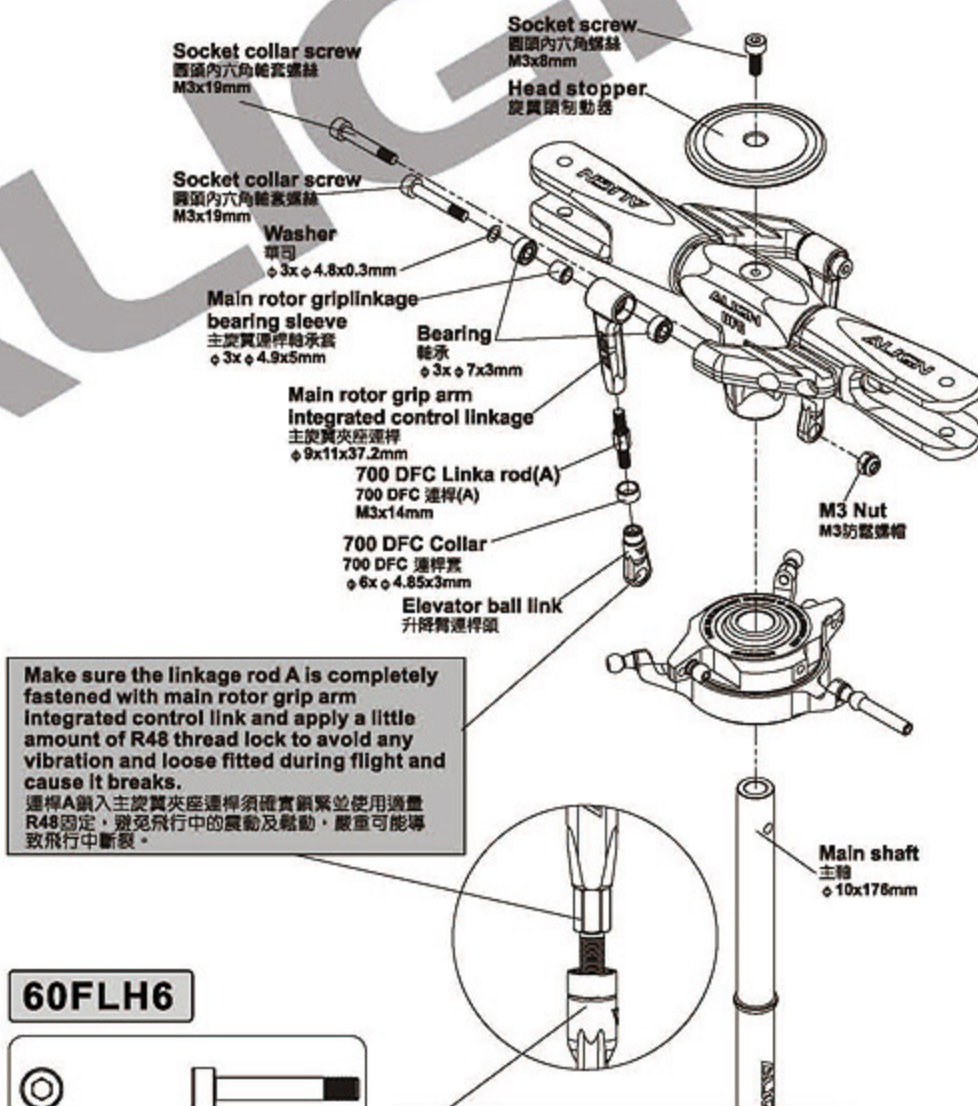
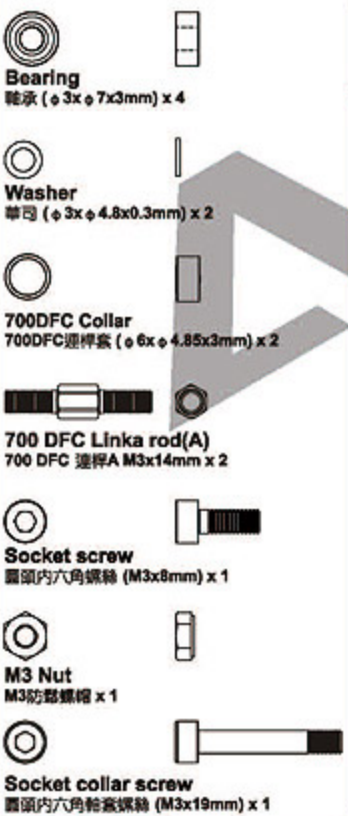
CAUTION
注意

Already assembled by Factory.
Before flying, please check if the screws are fixed with glue.
原裝組裝完成品，每一次飛行前請先確認螺絲是否已上膠不會鬆動。

When tightening a screw to a plastic part, please tighten it firmly, but not over tightened, or they will strip.
螺絲鎖入塑膠件請務必注意，適當扭力鎖緊即可，而過緊的扭力可能會導致滑牙。



60FLH4A



Make sure the linkage rod A is completely fastened with main rotor grip arm integrated control link and apply a little amount of R48 thread lock to avoid any vibration and loose fitted during flight and cause it breaks.
連桿A鎖入主旋翼夾座連桿須確實鎖緊並使用適量R48固定，避免飛行中的震動及鬆動，嚴重可能導致飛行中斷裂。

You may adjust the length of ball link when tracking is off while flight.
若飛行中有變態情形，可適當調整連桿頭長短改善。

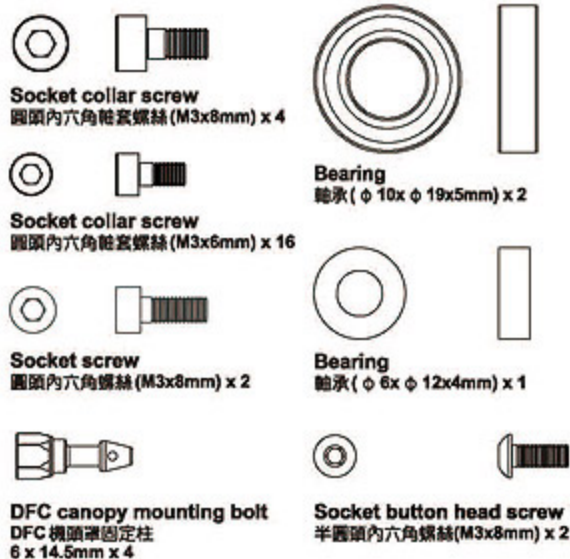
60FLH6



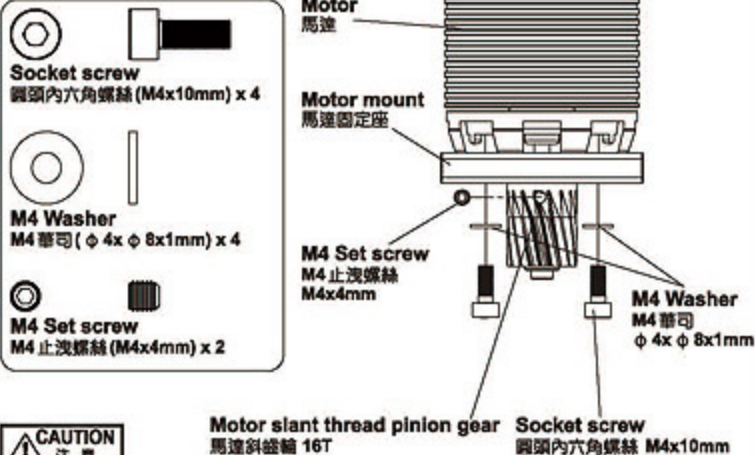
60FLH6



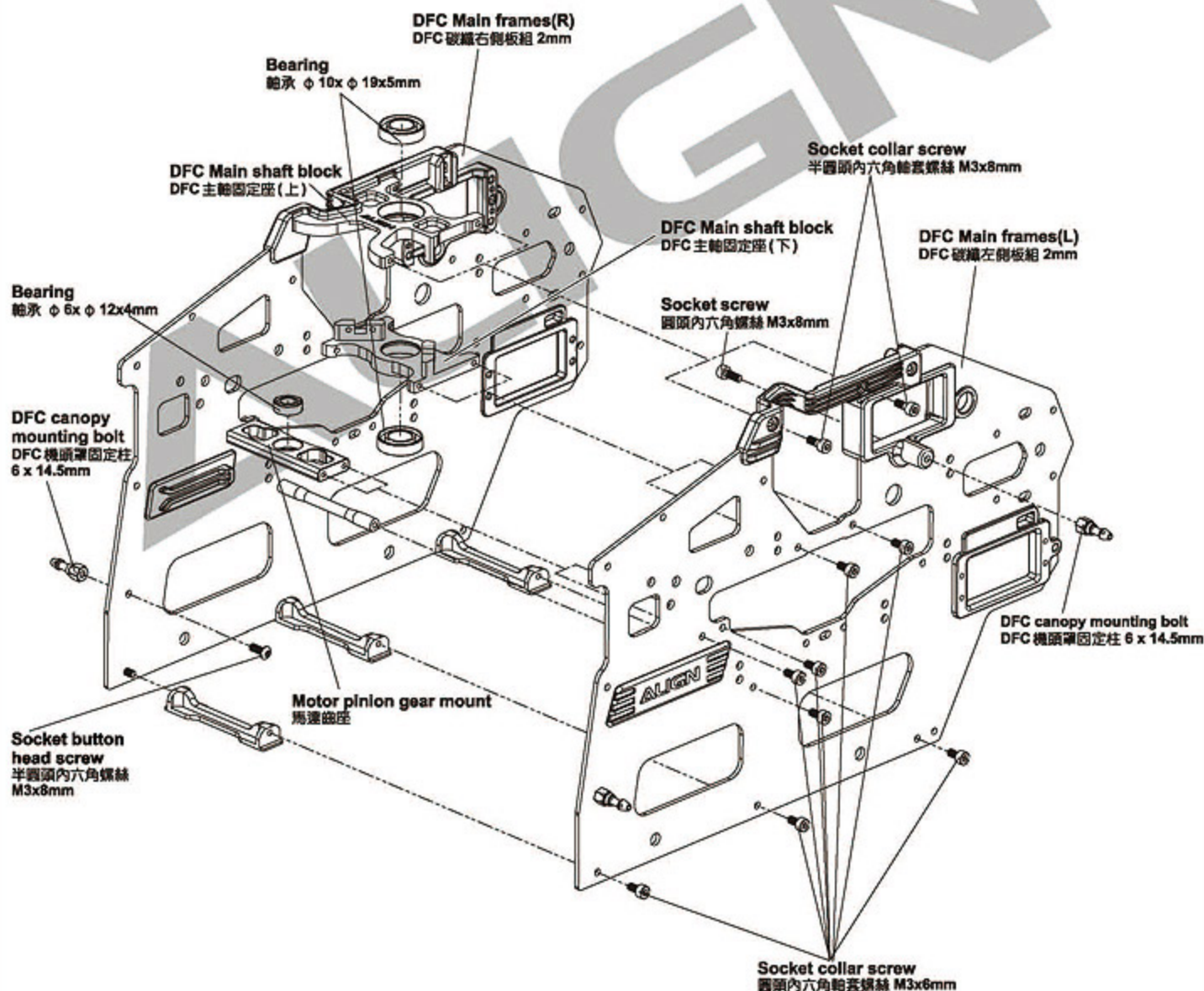
55HB10



55HZ8



Make sure the motor mount is fully fastened before fasten the motor pinion gear mount.
先將馬達固定座鎖緊固定後，再將馬達齒座鎖緊。



Apply a little amount of T43 thread lock when fixing a metal part.
螺絲鎖附於金屬件請使用適量 T43(螺絲膠)

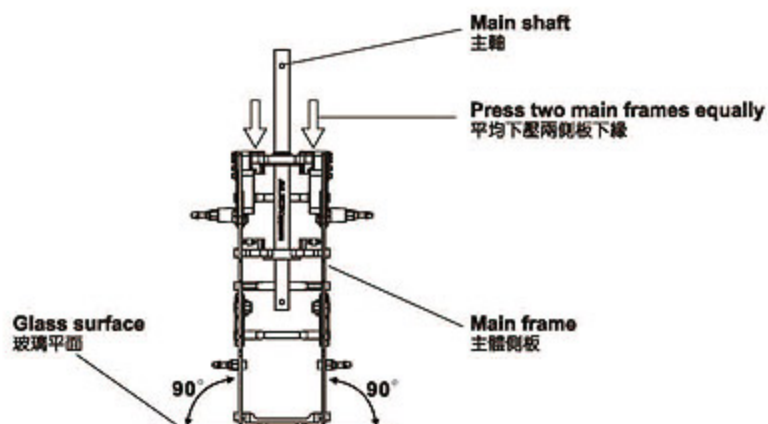


Main frame assembly key point :

First do not fully tighten the screws of main frames and put two bearings through the main shaft to check if the movements are smooth. The bottom bracket must be firmly touched the level table top (glass surface) ; please keep the smooth movements on main shaft and level bottom bracket, then slowly tighten the screws. This assembly can help for the power and flight performance.

機身側板組立重點：

側板螺絲先不完全鎖緊，放入主軸貫穿兩顆軸承確認上下移動必需滑順，主體底板必須與水平桌面（玻璃平面）踏實緊貼；請保持主軸滑順與底板平行桌面後慢慢鎖緊螺絲，正確側板的組裝對動力與飛行性能有顯著幫助。



55HG1A



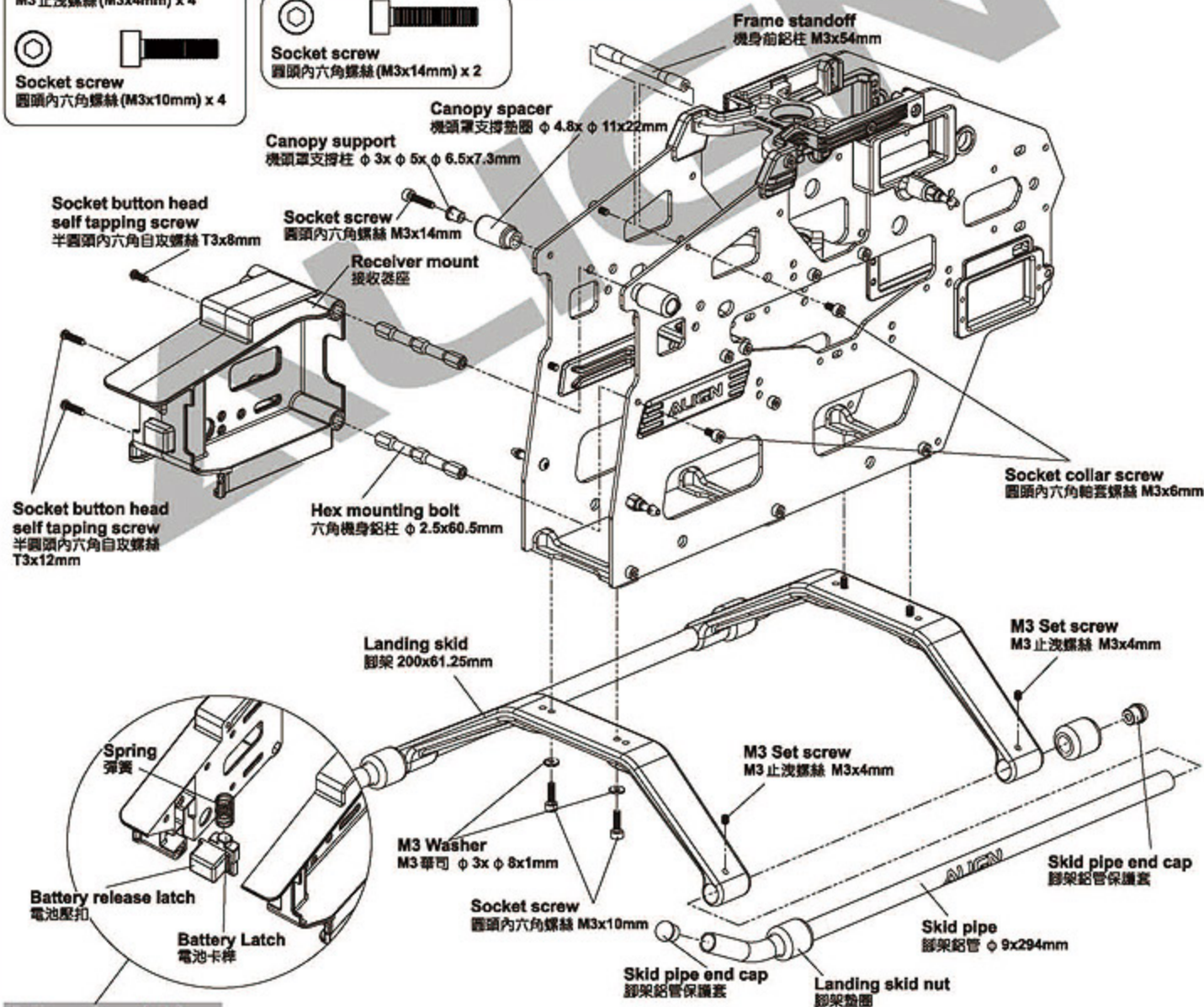
55HB10



55HB10A



55HB11



Battery release latch installation illustration
電池壓扣安裝示意圖

Apply a little amount of T43 thread lock when fixing a metal part.
螺絲鎖附於金屬件請使用適量 T43 (螺絲膠)

55HZ11**55HB10**

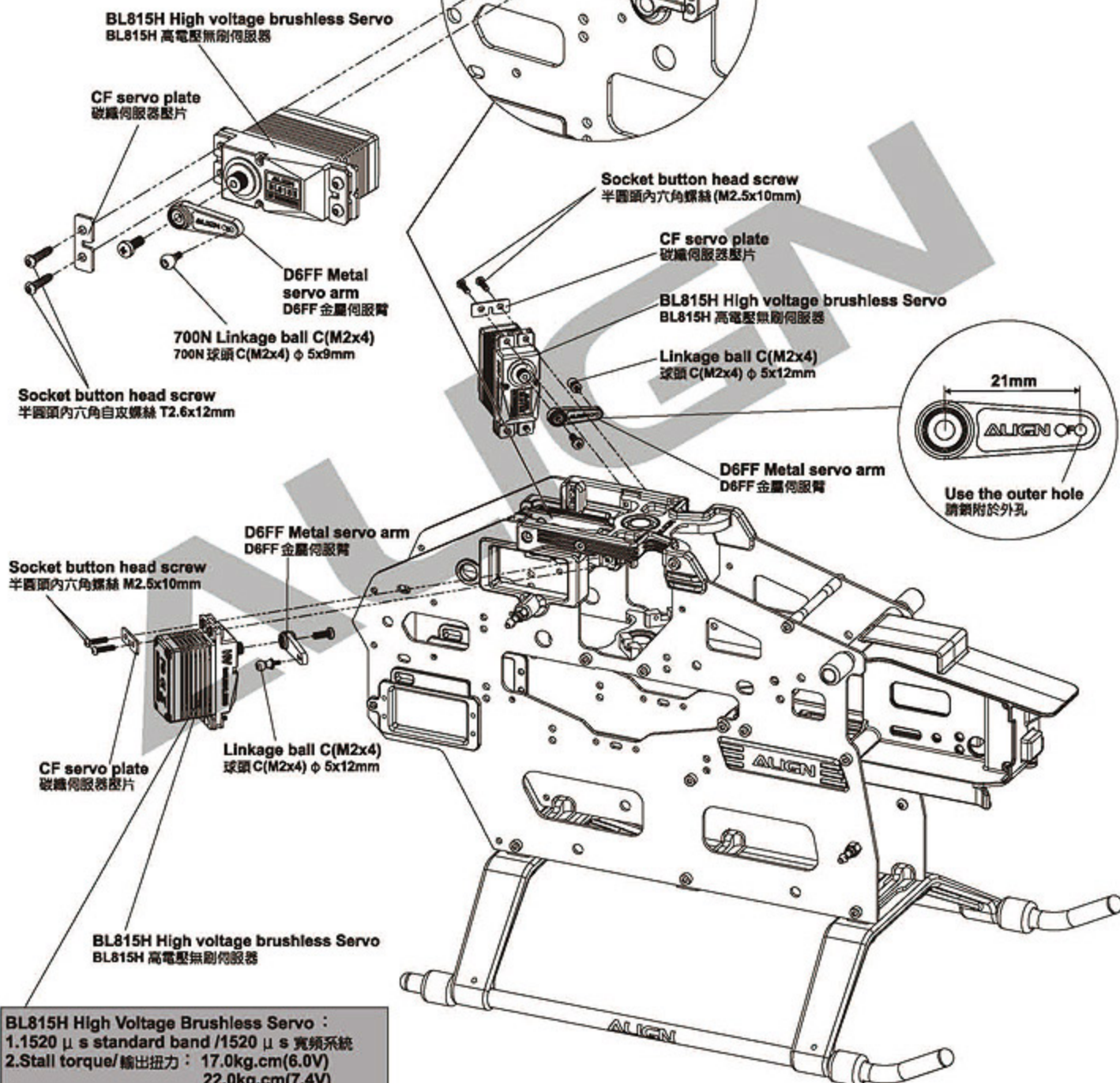
Apply a little amount of T43 thread lock when fixing a metal part.
 螺絲鎖附於金屬件請使用適量 T43(螺絲膠)

Linkage ball C(M2x4)
 球頭 C(M2x4)(ϕ 5x9mm) x 1

Linkage ball C(M2x4)
 球頭 C(M2x4)(ϕ 5x12mm) x 2

Socket button head self tapping screw
 半圓頭內六角自攻螺絲 (T2.6x12mm) x 4

Socket button head screw
 半圓頭內六角螺絲 (M2.5x10mm) x 8



BL815H High Voltage Brushless Servo :
 1. 1520 μ s standard band / 1520 μ s 寬頻系統
 2. Stall torque/輸出扭力 : 17.0kg.cm(6.0V)
 22.0kg.cm(7.4V)
 23.0kg.cm(8.4V)
 3. Motion speed/動作速度 : 0.075sec/60° (6.0V)
 0.060sec/60° (7.4V)
 0.055sec/60° (8.4V)
 4. Dimension/尺寸 : 40 x 20 x 39.1mm
 5. Weight/重量 : 80g

55HB10



Socket button head collar screw
半圓頭內六角軸套螺絲 (M3x8mm) x 4

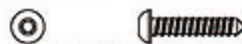
55HZ11



Linkage ball A (M2x3.5)
球頭A (M2x3.5) (φ 4.75x8.18mm) x 1



M2 Nut
M2 螺帽 x 1

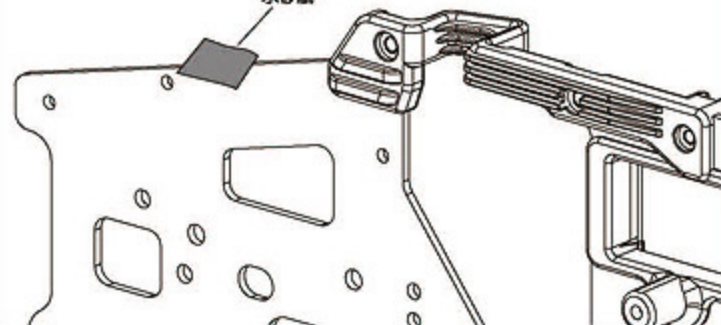


Socket button head self tapping screw
半圓頭內六角自攻螺絲 (T2.6x12mm) x 4

Recommend sanding the marked position as below illustration with a waterproof abrasive paper (#800-1000) to avoid the wires of electric parts to be cut.

建議於下圖色塊標示處，使用 #800-1000 水砂紙打磨，可防止電子設備電線被割破。

Waterproof abrasive paper
水砂紙



注意

Make sure the motor mount is fully fastened before fasten the motor pinion gear mount.

先將馬達固定座鎖緊固定後，再將馬達齒座鎖緊。

While assembling the motor mount, please make sure to properly loose M4 Set screw on 16T motor gear first, after fully fasten the motor mount with the motor pinion, then fasten back the M4 Set screw completely.

安裝馬達座時，請先將 16T 馬達斜主齒的 M4x4mm 止洩螺絲適當放鬆，當馬達固定座和馬達齒座固定鎖好後，再將馬達止洩螺絲鎖緊。

Apply a little amount of T43 thread lock when fixing a metal part.

螺絲鎖附於金屬件請使用適量 T43 (螺絲膠)

BL855H High Voltage Brushless Servo :

1. 1520 μ s standard band / 1520 μ s 寬頻系統

2. Stall torque / 輸出扭力 : 8.0kg.cm (6.0V)

10.0kg.cm (7.4V)

12.5kg.cm (8.4V)

3. Motion speed / 動作速度 : 0.04sec/60° (6.0V)

0.03sec/60° (7.4V)

0.028sec/60° (8.4V)

4. Dimension / 尺寸 : 40 x 20 x 39.1mm

5. Weight / 重量 : 73g

Servo extension cable

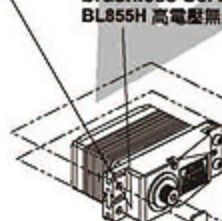
伺服器延長線



For extend the rudder servo signal cable.
尾舵伺服器訊號線延長用

BL855H High voltage brushless Servo

BL855H 高電壓無刷伺服器



M2 Nut

M2 螺帽

Linkage ball A (M2x3.5)

球頭A (M2x3.5) φ 4.75x8.18mm

3K CF servo plate

3K 碳纖維伺服器壓片

Socket button head self tapping screw

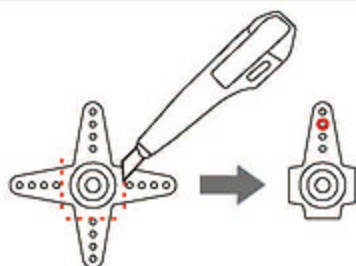
半圓頭內六角自攻螺絲 (T2.6x12mm)



注意

Please trim away the other servo horns, and fasten linkage ball on the outer second hole.

請先將原附十字舵角片切除多餘的另三邊，並將球頭鎖附於外側第二孔



60HT1



Socket button head self tapping screw
半圓頭內六角自攻螺絲 T2x8mm

Bearing
輪承
φ4xφ9x4mm

Front drive gear assembly
尾傳動齒輪組 34T

Front umbrella gear
傘齒長傘型齒 20T

Bearing
輪承
φ12xφ18x4mm

Tail boom mount(R)
尾管固定座(右)

Hex mounting bolt
六角鉚柱

Umbrella gear case(R)
傘齒右固定座
φ15.5xφ19x52.5mm

Umbrella gear case(L)
傘齒左固定座
φ15.5xφ19x52.5mm

Tail boom mount(L)
尾管固定座(左)

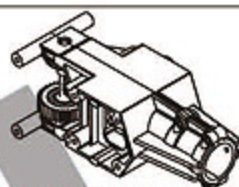
Apply a little amount of T43 thread lock when fixing a metal part.
螺絲鎖附於金屬件請使用適量T43(螺絲膠)

CAUTION
注意

Already assembled by Factory. Before flying, please check if the screws are fixed with glue.
原廠組裝完成品，每一次飛行前請先確認螺絲是否已上膠不會鬆動。

When tightening a screw to a plastic part, please tighten it firmly, but not over tightened, or they will strip.
螺絲鎖入塑膠件請務必注意，適當扭力鎖緊即可，而過緊的扭力可能會導致滑牙。

CAUTION
注意



Already assembled by Factory. Before flying, please check again if screws are firmly secured and applied with some glue.
原廠組裝完成品，請再確認各螺絲是否鎖緊上膠。

60HT6



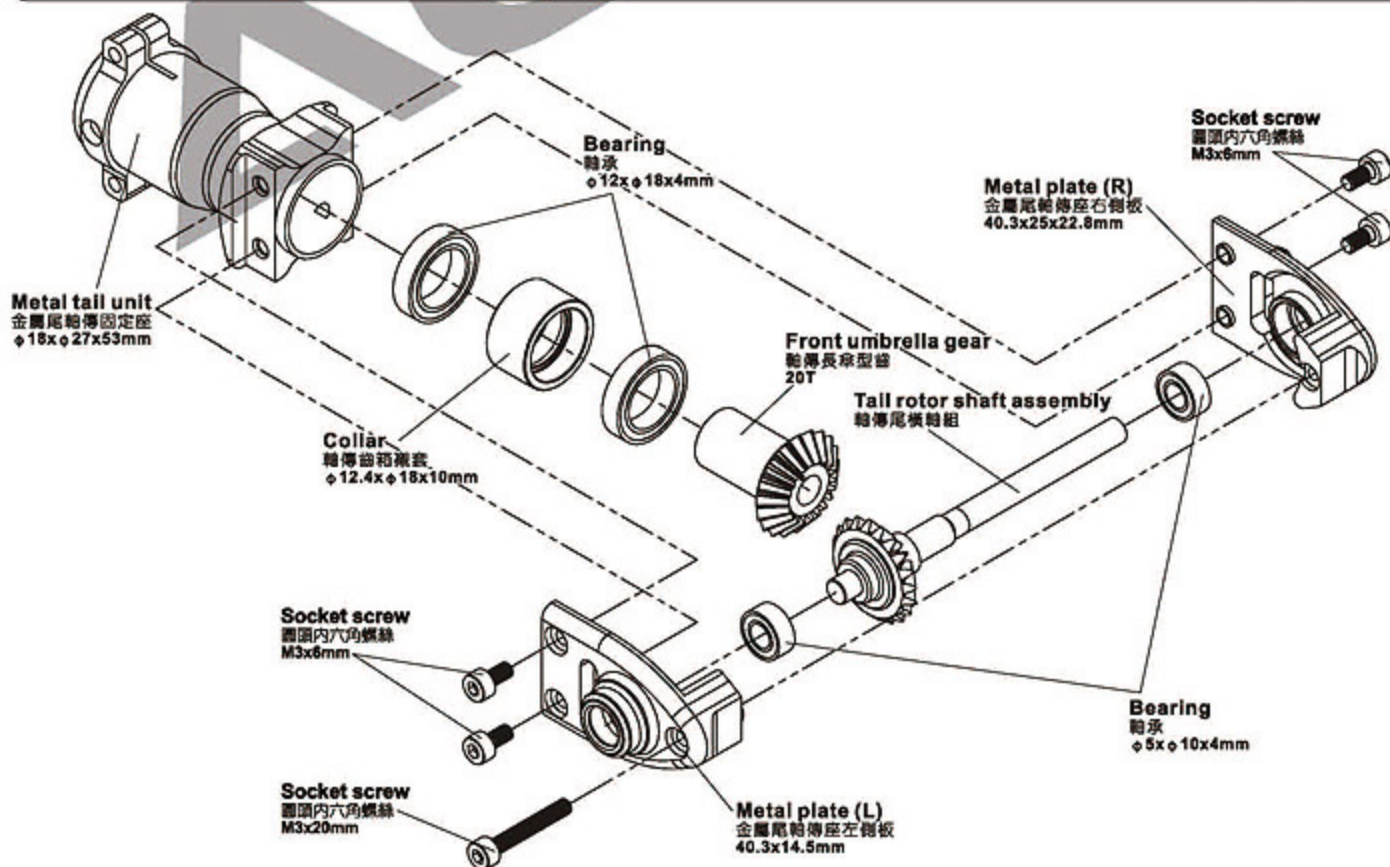
Socket screw
圓頭內六角螺絲 M3x20mm x 1

Bearing
輪承 (φ12xφ18x4mm) x 2

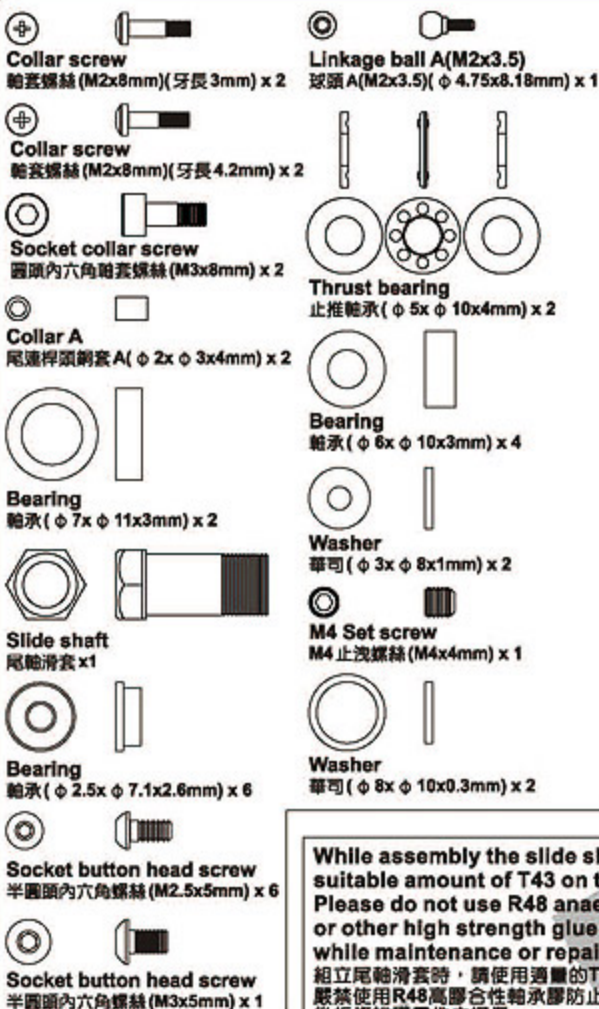
Bearing
輪承 (φ5xφ10x4mm) x 2

Socket screw
圓頭內六角螺絲 M3x6mm x 4

Tail umbrella gear
輪傳齒箱襯套 φ12.4x18x10mm x 1



60HT6



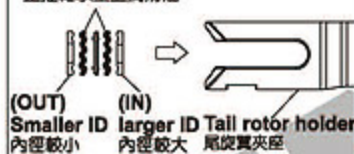
55HT11



Apply a little amount of T43 thread lock when fixing a metal part.
 螺絲鎖附於金屬件請使用適量 T43 (螺絲膠)



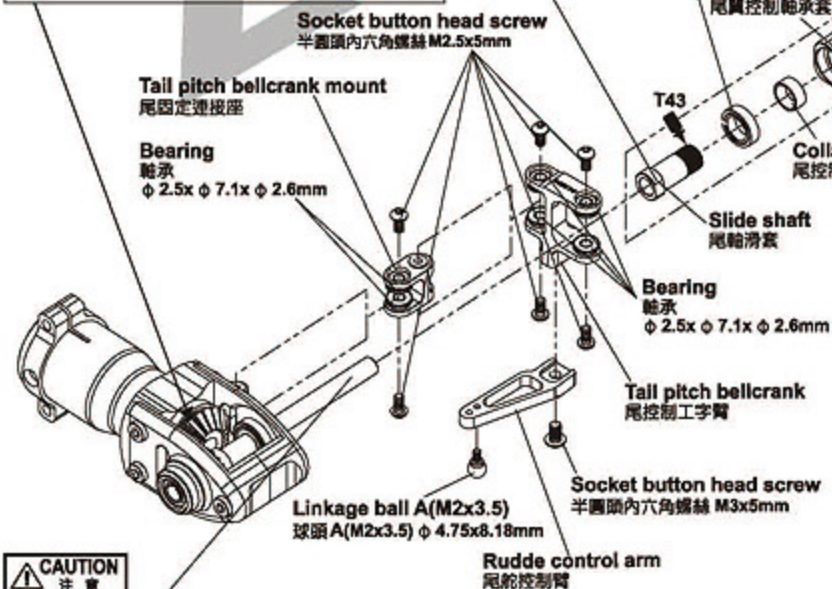
Apply grease on thrust bearing.
 止推軸承塗上潤滑油



While assembly the slide shaft, please use suitable amount of T43 on the thread. Please do not use R48 anaerobics retainer or other high strength glue to avoid damages while maintenance or repairs.
 組立尾輪滑套時，請使用適量的T43螺絲膠在螺牙上，嚴禁使用R48高膠合性軸承膠防止膠合過緊，以避免日後拆修維護零件之損傷。



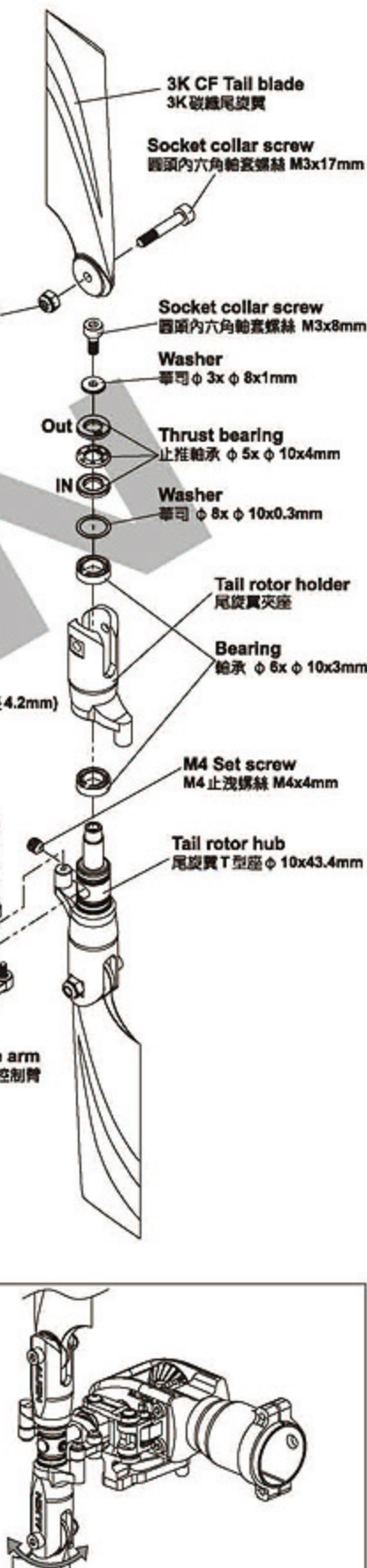
Assembling Umbrella Gear: Please note to push the gear to the end at a fixed position, to make sure the gears mesh with each other smoothly.
 傘齒組裝：注意務必前推到底定位，以避免齒咬合不順暢。



Aim tail rotor hub at the concave of tail rotor shaft and fix it, please apply a little glue on the set screw.
 尾旋翼T型座瞄準尾旋翼的凹刻並鎖上，請確認止洩螺絲上膠。



After complete the tail rotor assembly, please check if it rotates smoothly.
 尾旋翼組裝完成後需確認尾旋翼夾座轉動滑順。

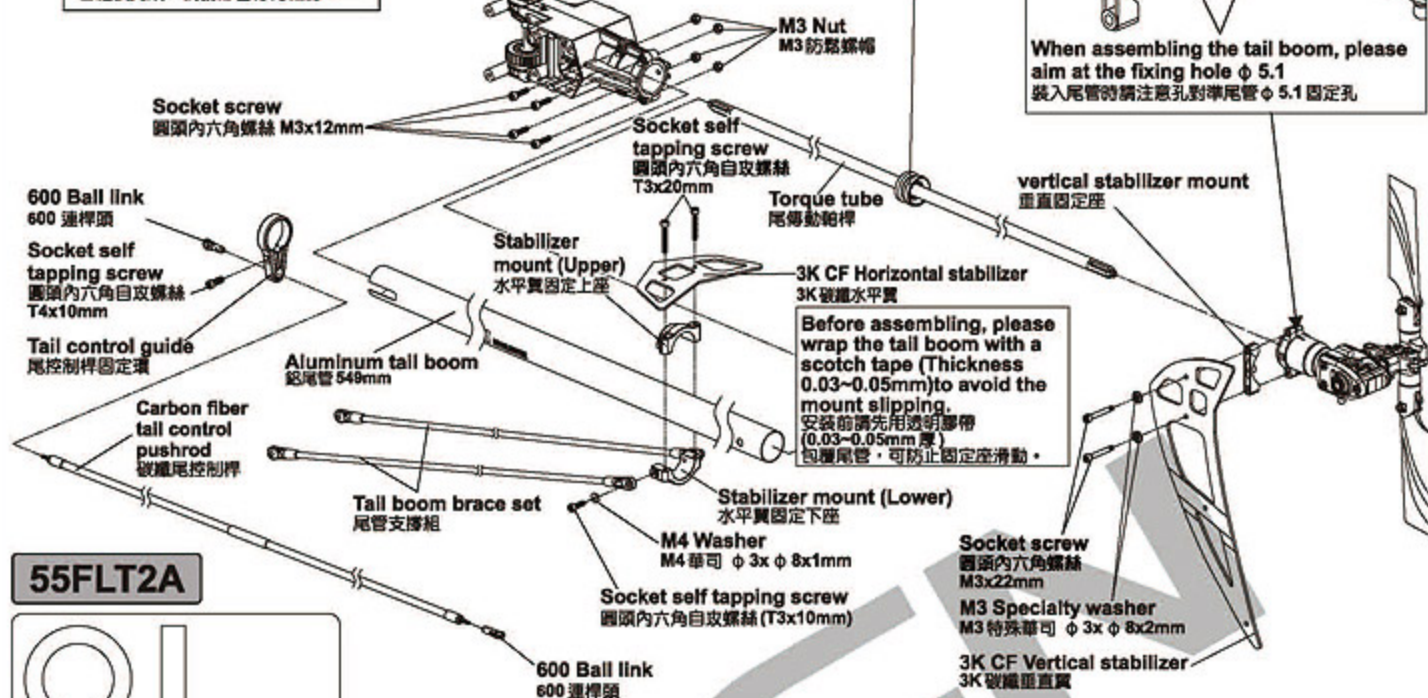


When assembling into the tail boom, please apply some oil on the surface, to make it smooth during the assembling and keep it vertical with the torque tube for smooth rotation.

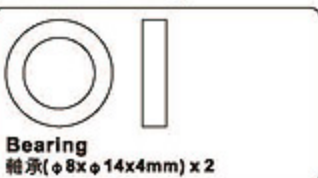
插入尾管內時，外表抹些潤滑油，以確保平順壓入尾管中並與尾傳動軸保持垂直，讓尾軸傳動順暢。

Already assembled by factory, please note to check again.
已組裝完成，請務必自行再確認。

When assembling the tail boom, please aim at the fixing hole $\phi 5.1$
裝入尾管時請注意孔對準尾管 $\phi 5.1$ 固定孔



55FLT2A



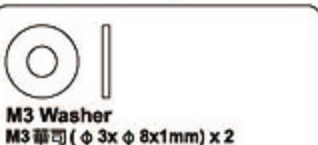
60HT1A



60HT6



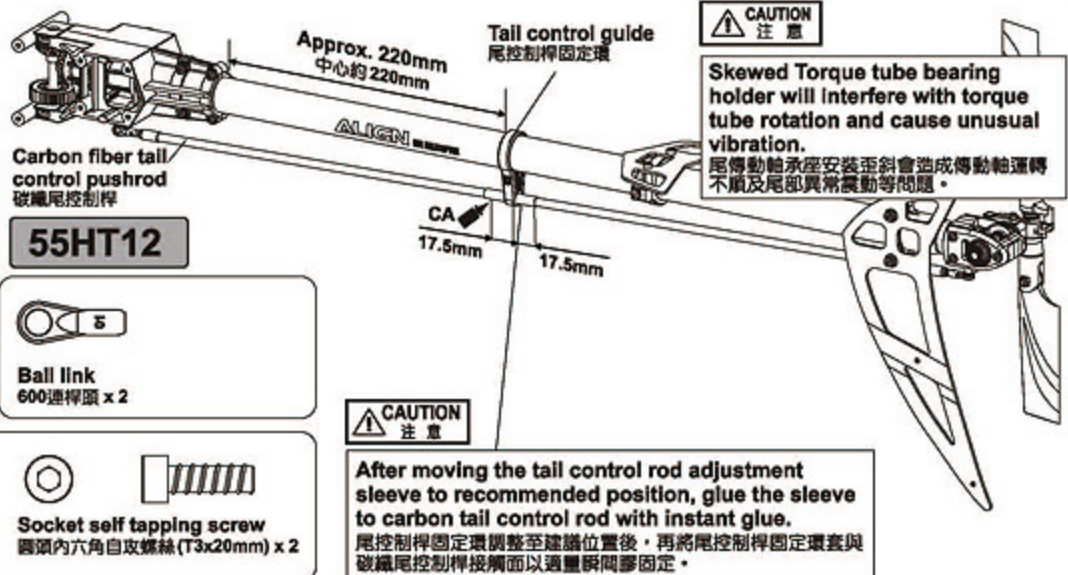
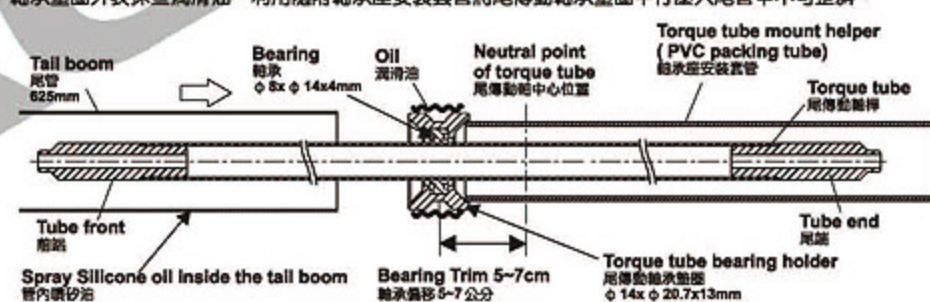
55HT3A



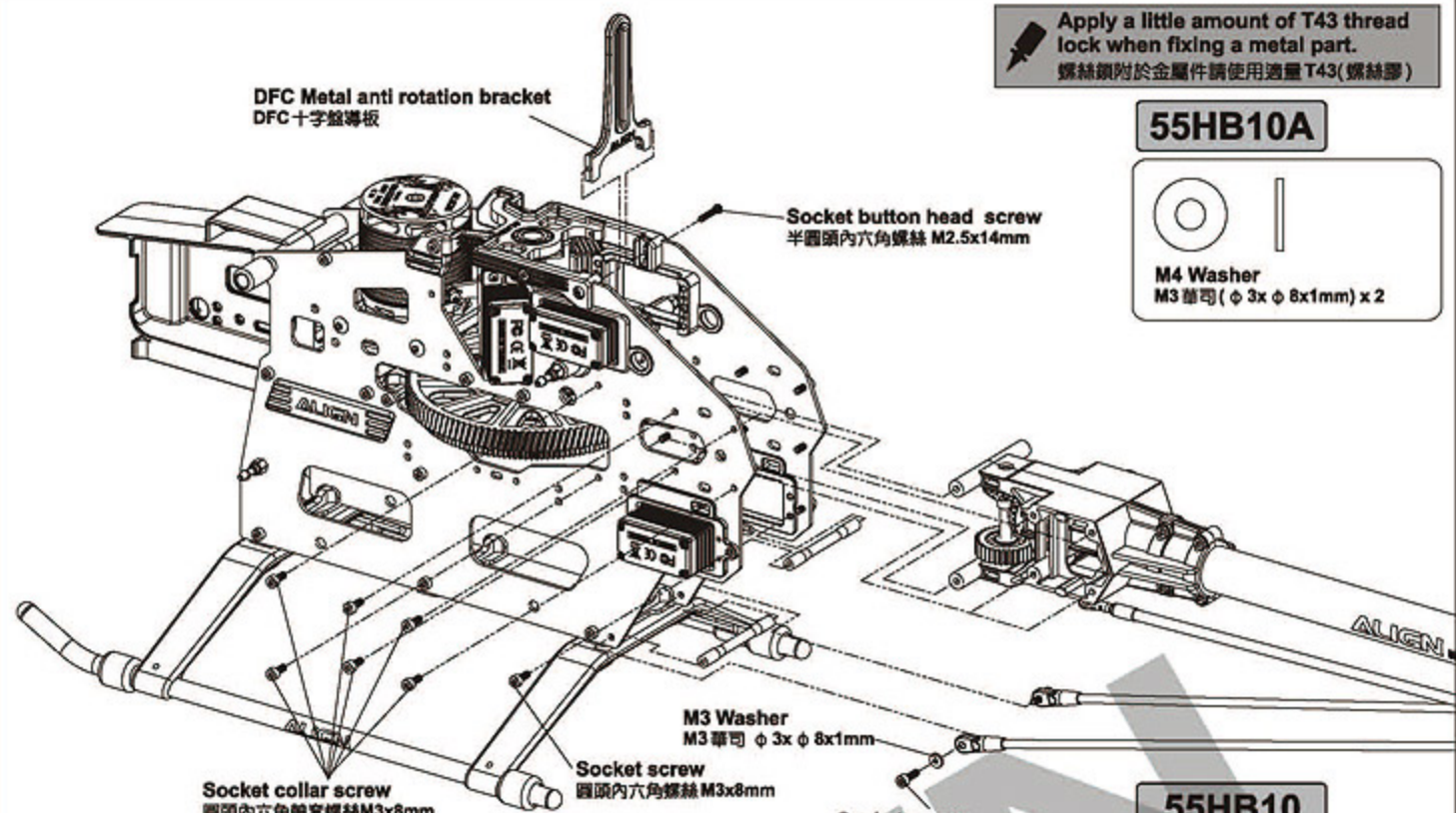
TIP TO FIX THE TORQUE TUBE 傳動軸軸承固定位置要領

Please apply some CA glue to fix bearing on the torque tube, avoid CA glue from the dust or may cause the bearing stuck. When assembling into the tail boom, please apply some oil and use the attached torque tube mount helper to press the bearing holder of the torque tube into the tail boom horizontally.

請以少量 CA 將軸承固定於尾傳動軸上，避免 CA 沾到軸承的防塵蓋而導致軸承卡死，插入尾管內時，尾傳動軸承墊圈外表抹些潤滑油，利用隨附軸承座安裝套管將尾傳動軸承墊圈平行壓入尾管中不可歪斜。



Apply a little amount of T43 thread lock when fixing a metal part.
螺絲鎖附於金屬件請使用適量T43(螺絲膠)



55HB10A

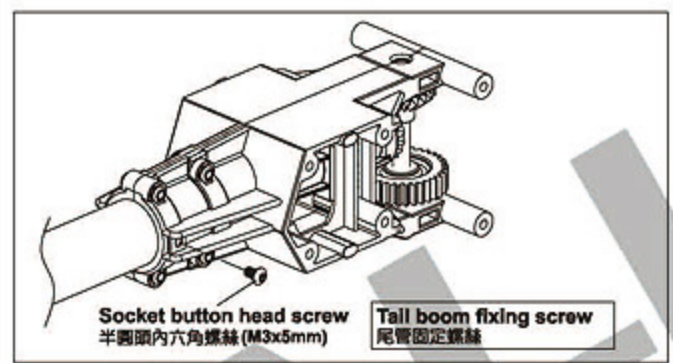
- M4 Washer
M3華司(φ3xφ8x1mm) x 2

55HB10

- Socket button head screw
半圓頭內六角螺絲(M2.5x14mm) x 2
- Socket collar screw
圓頭內六角輪套螺絲(M3x8mm) x 12
- Socket screw
圓頭內六角螺絲(M3x8mm) x 4

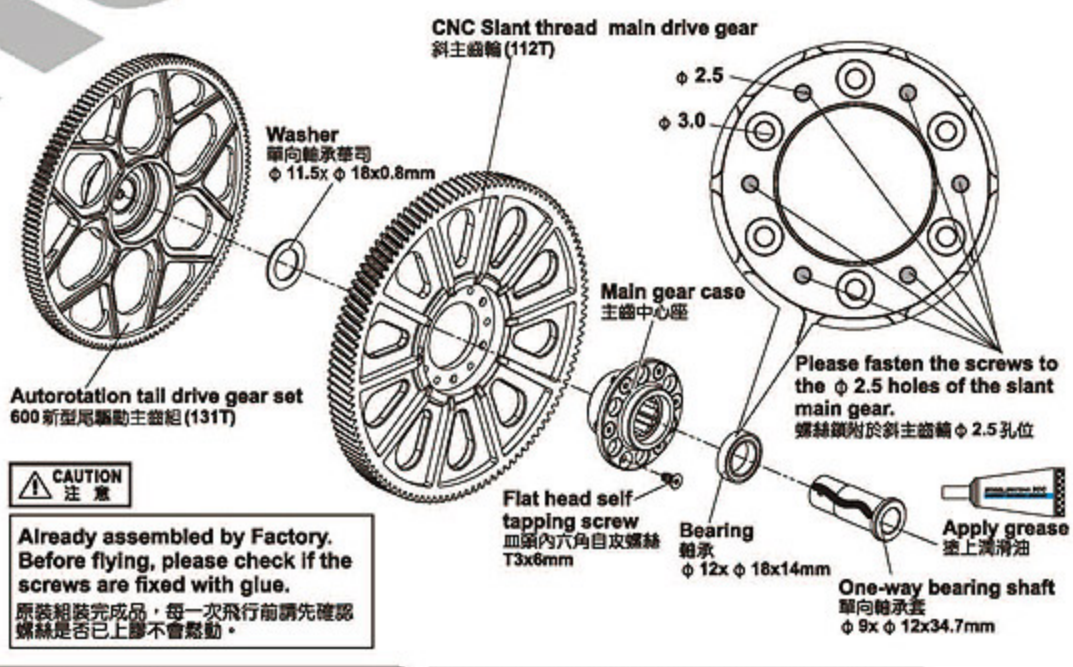
60HT6

- Socket button head screw
半圓頭內六角螺絲(M3x5mm) x 1
- Socket screw
圓頭內六角螺絲(M3x10mm) x 2



60HB6

- Bearing
軸承(φ12xφ18x4mm) x 1
- One-way bearing
單向軸承(φ12xφ18x16mm) x 1
- Washer
單向軸承華司(φ11.5xφ18x0.8mm) x 1
- Flat head self tapping screw
圓頭內六角自攻螺絲(T3x6mm)X6



CAUTION 注意

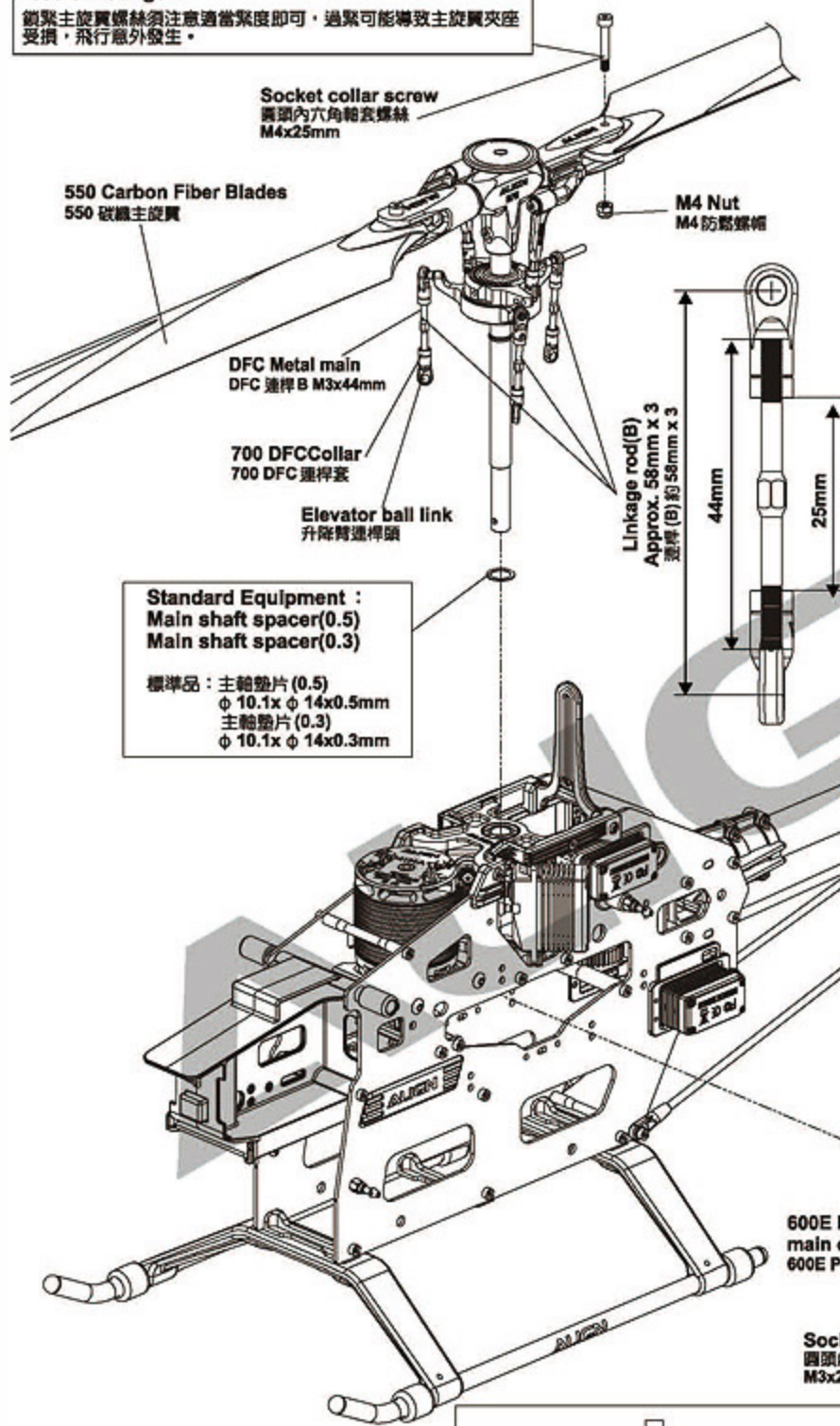
Already assembled by Factory.
Before flying, please check if the screws are fixed with glue.
原裝組裝完成品，每一次飛行前請先確認螺絲是否已上膠不會鬆動。

Before tightening the screw, please rotate the bearing and check the concentricity of the bearing in order to have the screw firmly secured, to avoid the bearing stuck or heavy load at one side and cause slip.
上緊螺絲前需試轉動確認軸承同心度良好後，才能將螺絲平均鎖緊，以避免造成卡死或單向重負載可能產生的打滑。

Apply a little amount of T43 thread lock when fixing a metal part.
螺絲鎖附於金屬件請使用適量 T43(螺絲膠)

When tightening the main blade fixing screw, please tighten it firmly, but not over tighten, or it may cause the damage of main blade holder and result in danger.

鎖緊主旋翼螺絲須注意適當緊度即可，過緊可能導致主旋翼夾座受損，飛行意外發生。



60FLH4A

Main Blade Fixing Screw
鎖主旋翼用螺絲



Socket collar screw
圓頭內六角軸套螺絲 (M4x25mm) x 2



M4 Nut
M4 防鬆螺帽 x 2

700FLZ7



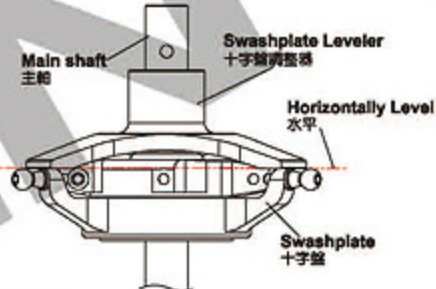
Elevator ball link
升降臂連桿頭 x 6



700 DFC Collar
700 DFC 連桿套 x 6



DFC Linkage rod(B)
DFC 連桿 B (M3x44mm) x 3



CAUTION
注意

While using Gpro Flybarless system, please use the swashplate leveler to calibrate swashplate. Adjust the length of servo linkage rod to make sure the swashplate is leveled before start setting up Gpro to ensure Gpro provides the best performance.

使用 Gpro 無平衡系統，請務必使用十字盤調整器校正十字盤，調整何處連桿長度，確保十字盤達到水平狀態，再進行 Gpro 基本機體設定，這樣才能確保 Gpro 飛行性能達到最佳效果。

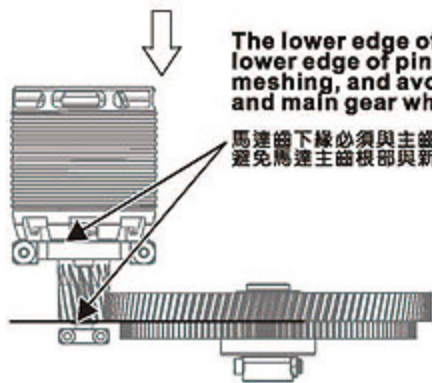
60HB6



Socket collar screw
圓頭內六角軸套螺絲 (M3x20mm) x 1

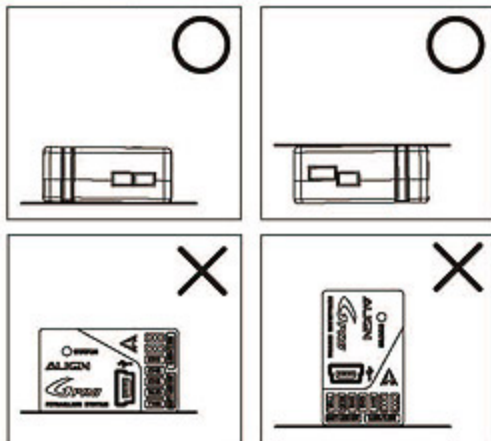


M3 Nut
M3 防鬆螺帽 x 1



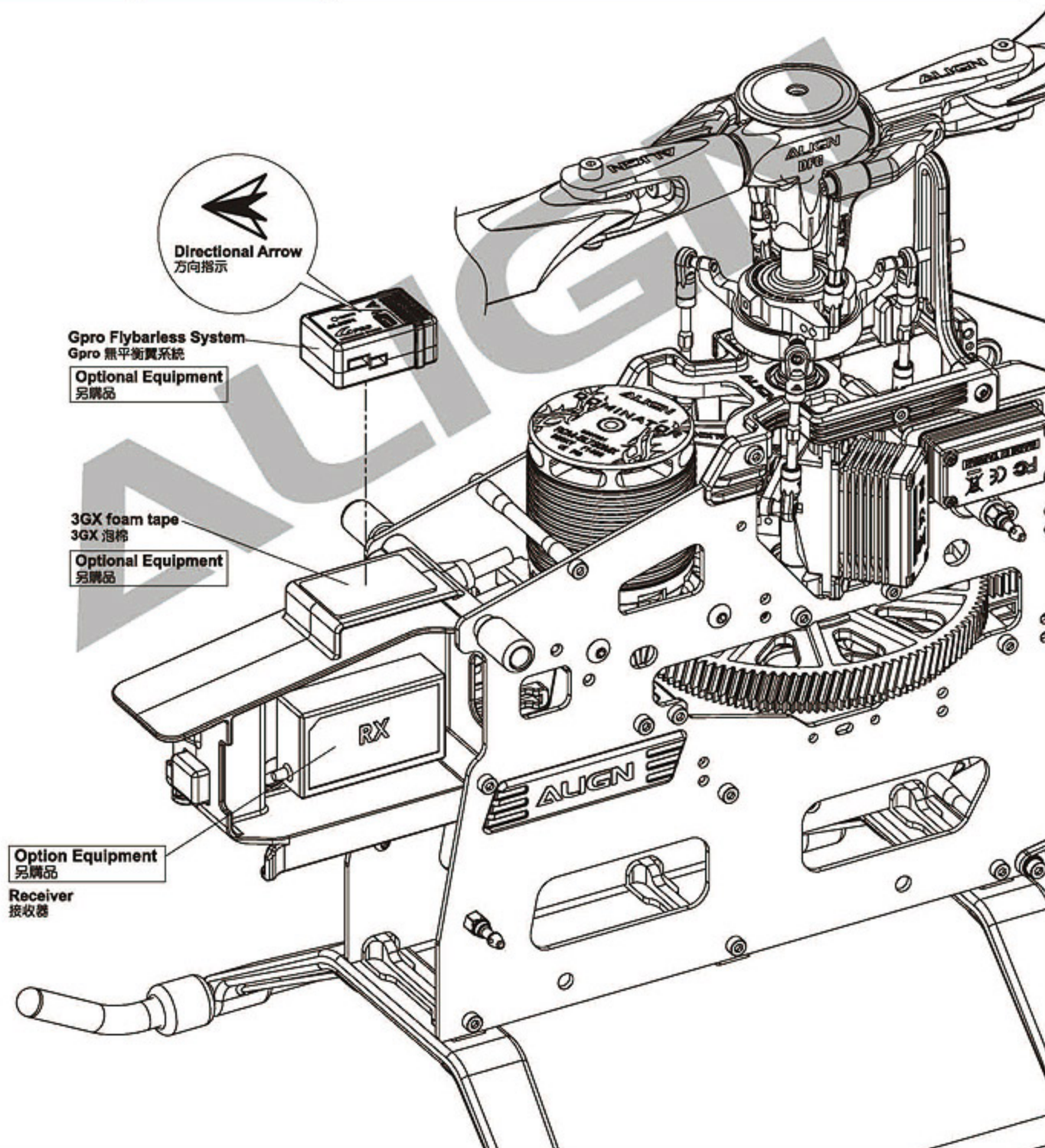
The lower edge of main gear need to be lined up with lower edge of pinion gear. This will ensure smooth meshing, and avoid interference between pinion's base and main gear which can lead to unusual wear.

馬達齒下緣必須與主齒下緣水平切齊，如此才能確保齒輪傳動順暢，避免馬達主齒根部與新型斜主齒輪產生異常干涉磨損。

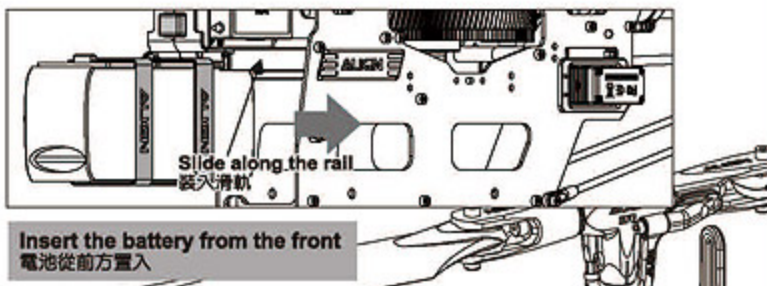
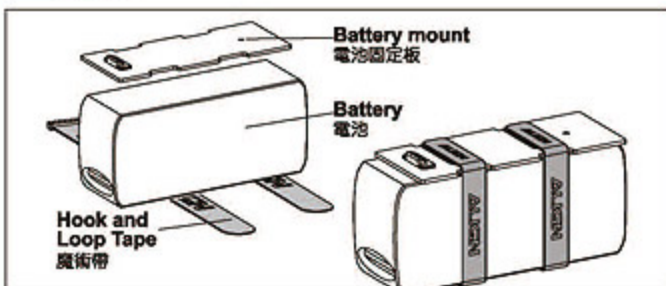


1. Consult the following diagram for Gpro installation direction, with arrow pointing toward nose or tail of helicopter. Gpro needs to be mounted flat on gyro mounting platform, away from vibration sources.
2. Two pieces of foam mounting tape can be used if helicopter experiences vibration induced flight instability. However, if this still doesn't cure the problem, please check the helicopter mechanics and minimize mechanical vibrations, or reduce the headspeed.
3. Please secure with genuine factory issued double sided anti-vibration mounting tape.

1. Gpro擺放方向請參照圖示，方向指示箭頭指向機頭或機尾，水平擺放於陀螺儀固定座，並避開震動源。
2. 機體震動會影響陀螺儀偵測，造成飛行不穩定，可於Gpro下方貼附2片泡棉減震，若仍未改善，請檢查機體排除震動或降低主旋翼轉速。
3. 請使用原廠提供避震泡棉雙面膠固定。



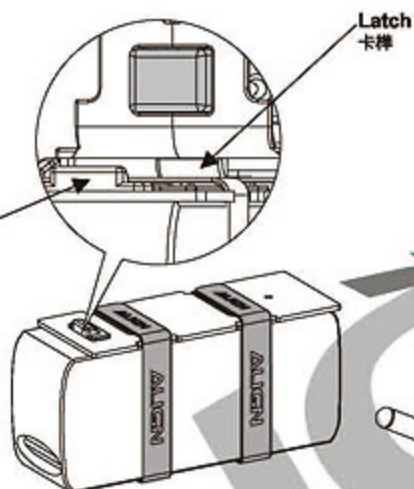
CAUTION
注意



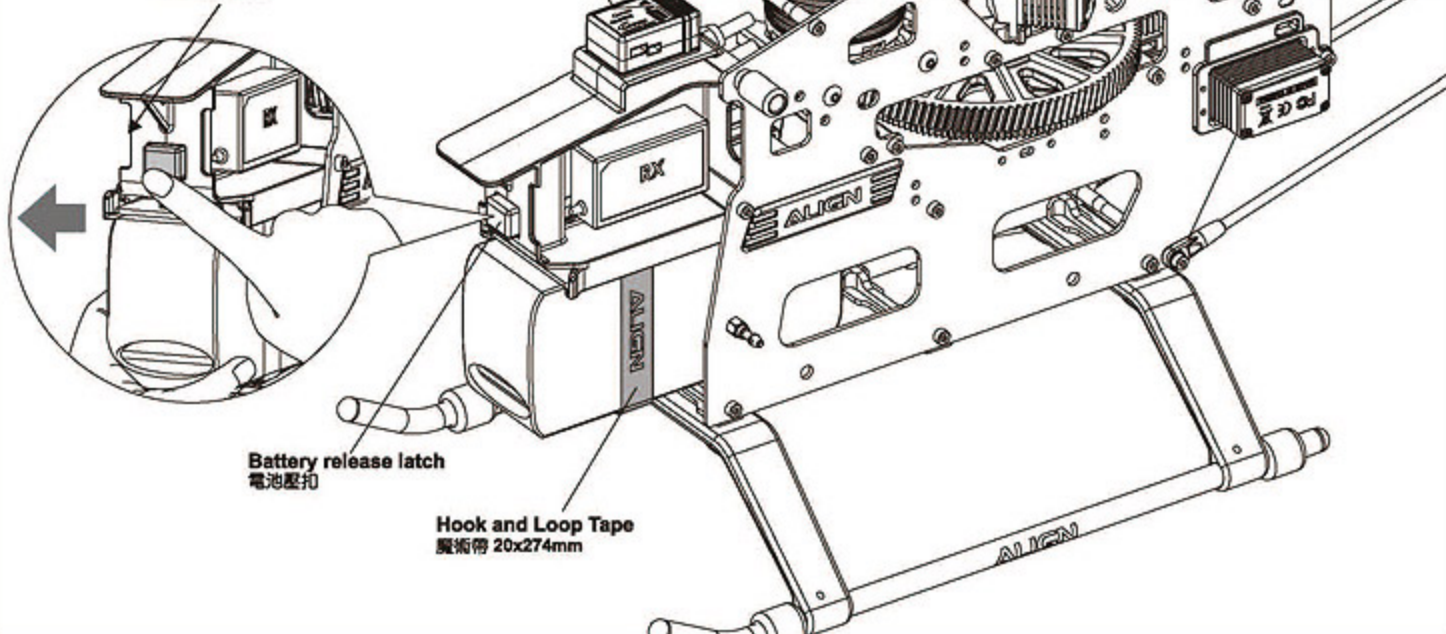
Please fix the battery on the battery mount evenly.
電池請平均固定於電池板上。

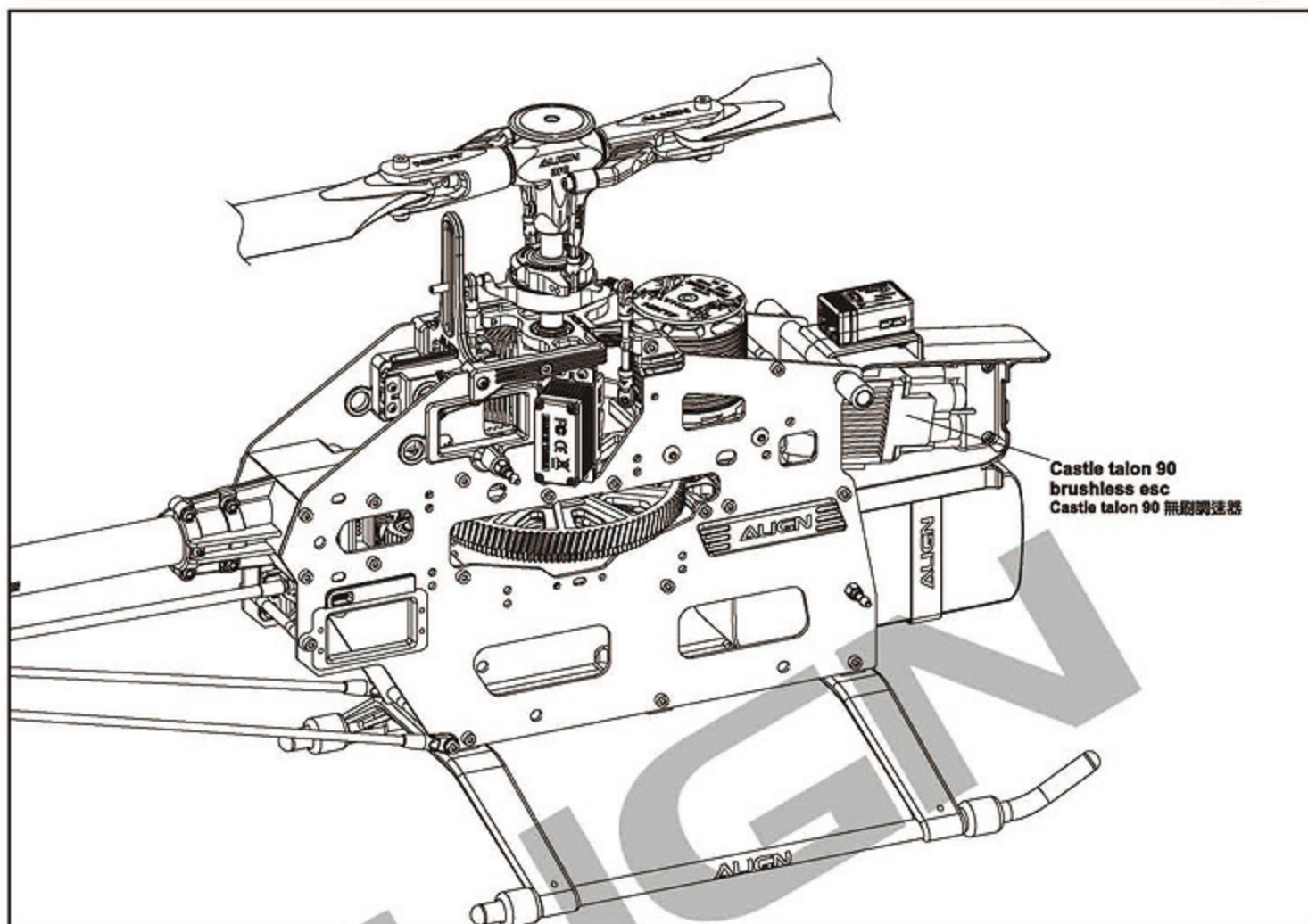
CAUTION
注意

Slide the battery mounting plate along the rail until a "click" is heard to make sure the battery mounting plate is latched.
將電池固定板順著電池滑軌裝入至發出“喀嗒”聲響，使電池固定板卡入卡榫。

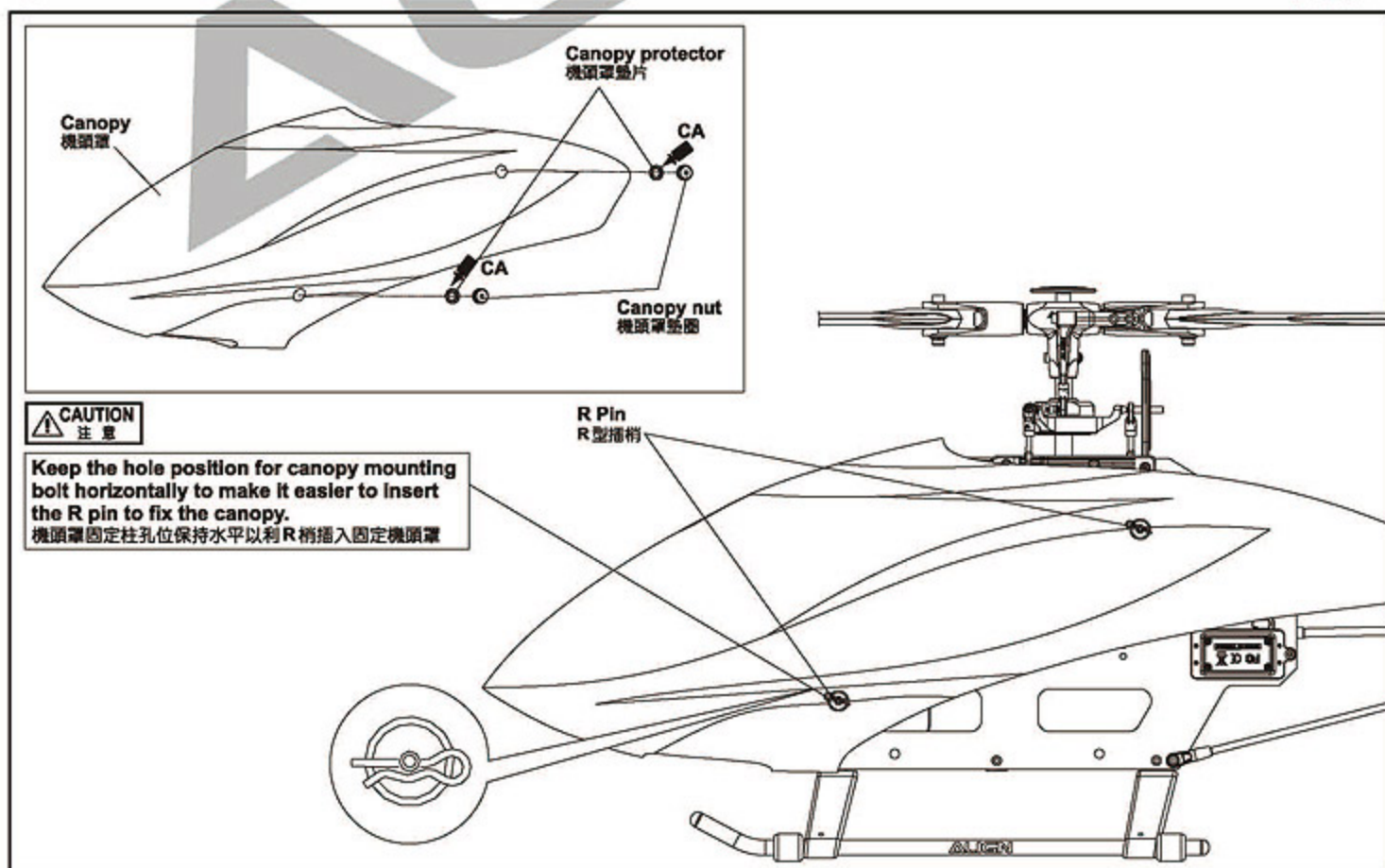


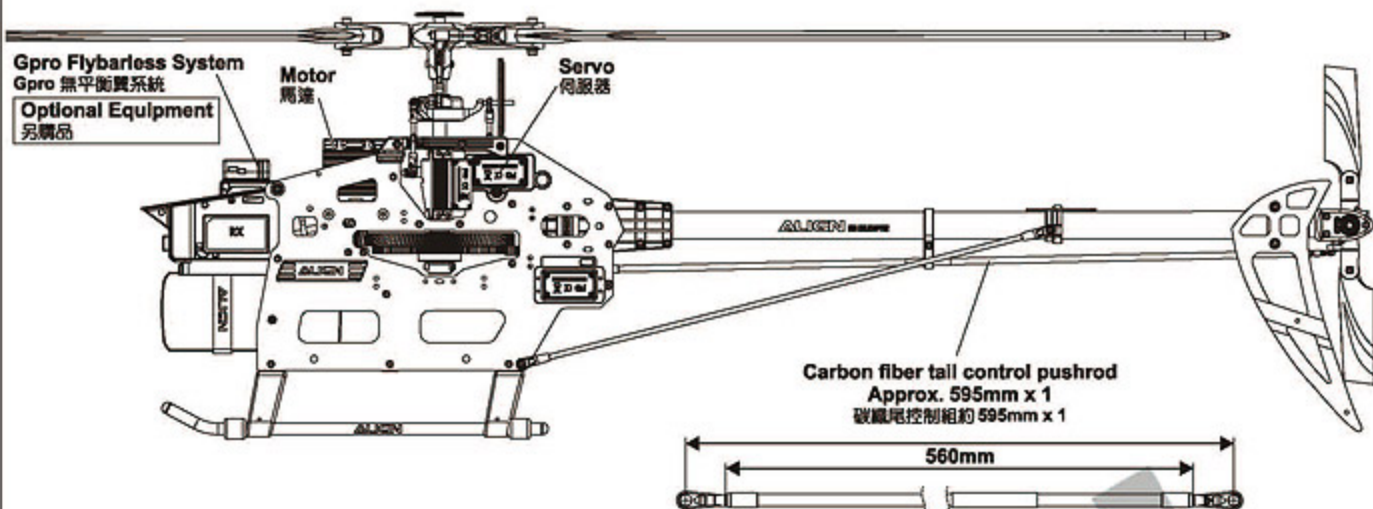
Press this latch to allow the battery to slide out along the rail.
電池抽出前請先將電池壓扣往內壓，順著滑軌抽出。





10.CANOPY ASSEMBLY 機頭罩安裝

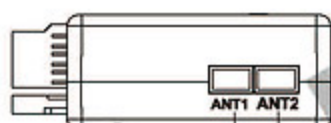




PARTS IDENTIFICATION 各部位名稱

Gpro FLYBARLESS SYSTEM Gpro 無平衡翼系統

Optional Equipment
另購品



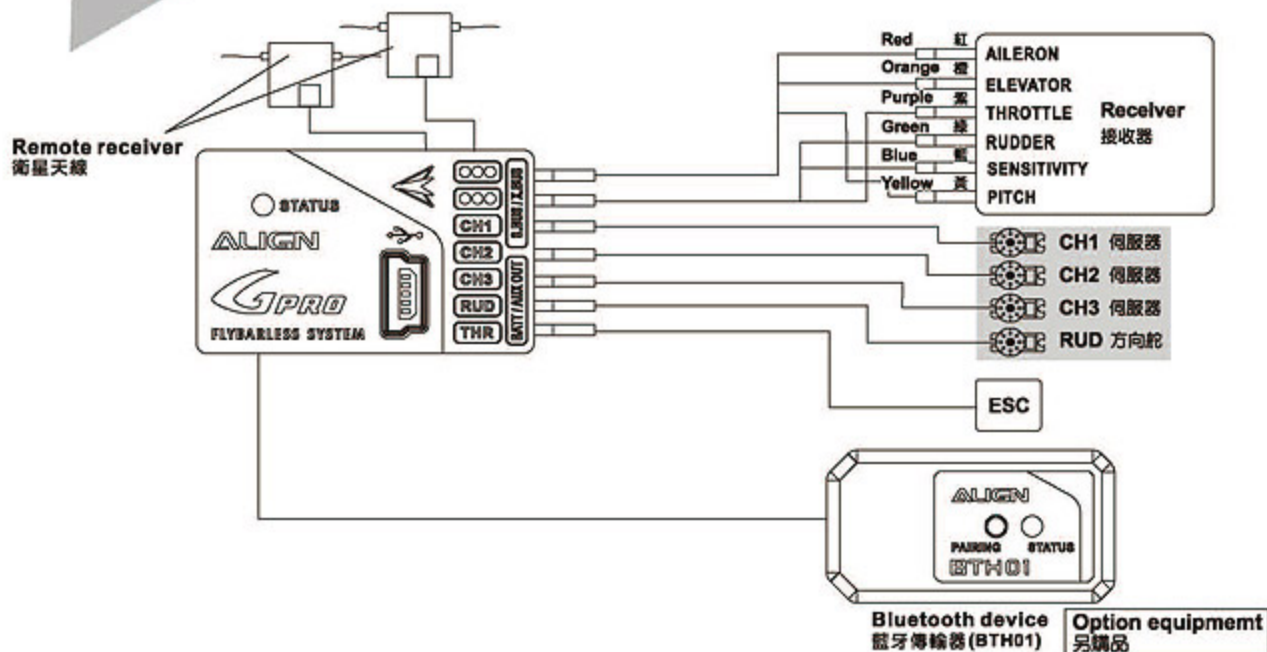
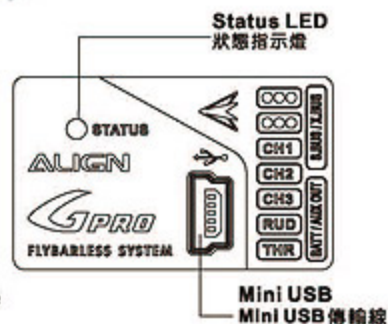
Remote receiver 2
衛星天線 2

Remote receiver 1
衛星天線 1



Nitro governor sensor
油機定速器感知器

Data port / Bluetooth device
資料傳輸埠 / 藍牙傳輸器 (BTH01)



To set this option is to turn on the transmitter and connect to BEC power.

Note: For the safety, please do not connect ESC to the brushless motor before the setting in order to prevent any accident caused by the motor running during the setting.

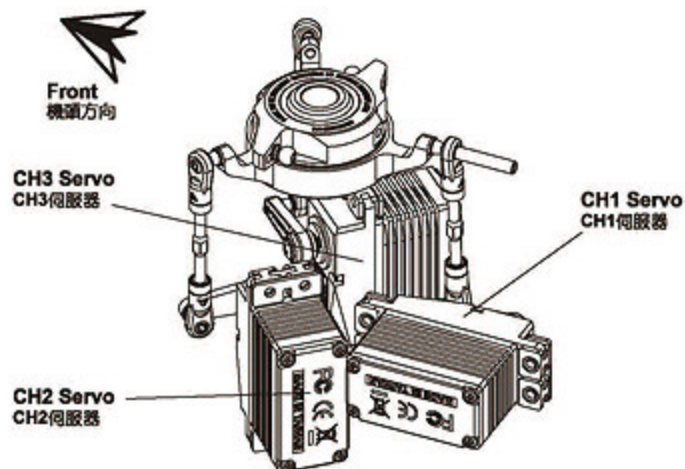
此項設定只要開啟發射器，接上BEC電源即可進行操作。

注意：為了安全起見，設定前請先不要將無刷调速器與無刷馬達三條線接上，以免調整時啟動馬達而發生危險。

SERVO CONFIGURATION 伺服器配置

Following the servo configuration diagram on right, plug the servos to Gyro.

請依照右圖圖示的伺服器名稱，將伺服器接到陀螺儀。



13.ADJUSTMENTS FOR GYRO AND TAIL NEUTRAL SETTING 陀螺儀與尾翼中立點設定調整

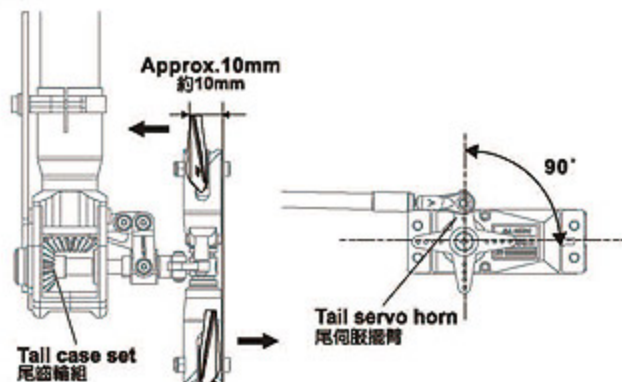
Turn off Revolution mixing (RVMX) mode on the transmitter, then set the gain switch on the transmitter and the gyro to non-Head lock mode, or disable gain completely. After setting the transmitter, connect the helicopter power and proceed with rudder neutral point setting. **Note:** When connecting to the helicopter power, please do not touch tail rudder stick and the helicopter, wait for 3 seconds for gyro to enable, and the rudder servo horn should be 90 degrees to the tail servo. Tail pitch slider should be half way on the tail output shaft. This will be the standard rudder neutral point. After completing this setting, set the gain switch back to heading lock mode, with gain at around 70%.

發射器內陀螺儀設定請關閉根軸混控模式，並將發射器上的感度開關與陀螺儀切至“非鎖定模式”或將陀螺儀感度關閉。發射器設定完成後接上直昇機電源，即可進行尾舵中立點設置。注意：當接上直昇機電源時請勿碰動尾舵搖桿或碰觸機體，待3秒陀螺儀開機完成後，尾向舵臂需與尾伺服器約成90度，尾旋翼控制相須正確置於尾橫軸約中間位置，即為標準尾舵中立點設定，設定完成後，切換至“鎖定模式”，感度設約70%左右。

TAIL NEUTRAL SETTING 尾中立點設定

After the gyro is enable and under non-Head lock mode, correct setting position of tail servo and tail pitch assembly is as photo. If the tail pitch assembly is not in the middle position, please adjust the length of rudder control rod to trim.

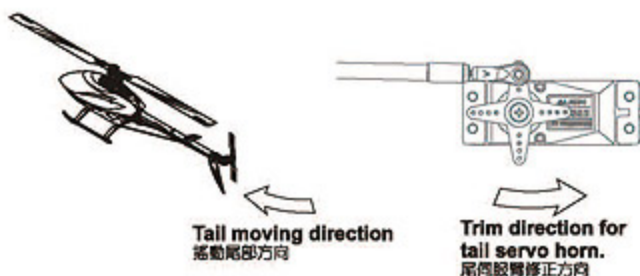
陀螺儀開機後，在非鎖定模式下，尾伺服器與尾 Pitch 控制組正確擺置位置。若尾 Pitch 控制組未置中時請調整尾控制連桿的長度來修正。



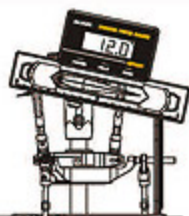
HEAD LOCK DIRECTION SETTING OF GYRO 陀螺儀鎖定方向設定

To check the head lock direction of gyro is to move the tail clockwise and the tail servo horn will be trimmed counterclockwise. If it trims in the reverse direction, please switch the gyro to "REVERSE".

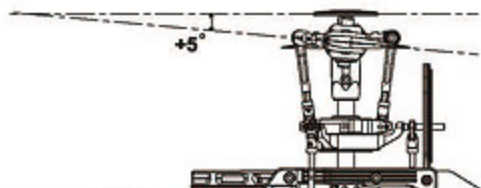
陀螺儀鎖定方向確認，當手搖尾部順時鐘擺動，尾向舵臂應反時鐘修正，反向時請切換陀螺儀上“鎖定反向”開關修正。



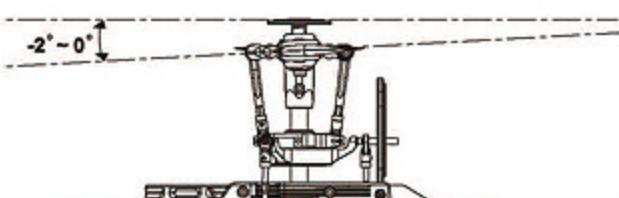
GENERAL FLIGHT 一般飛行模式



Stick position at high/Throttle 100%/Pitch+12°
搖桿高速/油門100%/Pitch+12°



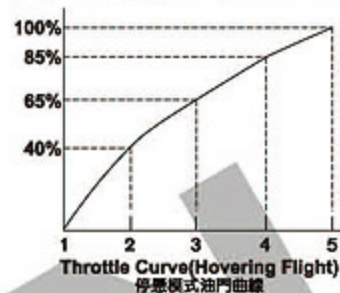
Stick position at Hovering/Throttle 70%/Pitch+5°
搖桿停懸/油門70%/Pitch+5°



Stick position at low/Throttle 0%/Pitch-2°~0°
搖桿低速/油門0%/Pitch-2°~0°

GENERAL FLIGHT 一般飛行模式

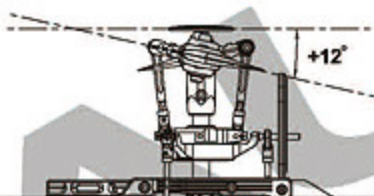
Throttle 油門	Pitch 螺距
5 100% High speed 100% 高速	+12°
4 85%	
3 60%~65% Hovering 60%~65% 停懸	+5°
2 40%	
1 0% Low speed 0% 低速	-2°~0°



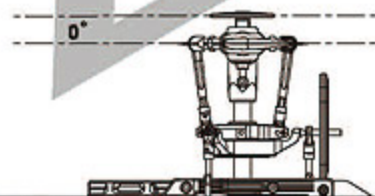
Pitch and Rotation Speed Pitch與轉速關係

TIP: It is recommended to use a lower pitch setting when using higher RPM Head speed. This will allow for better power.
搭配要領: 如果使用較高轉速馬達動力建議搭配調低 Pitch, 將獲得較佳動力效能。

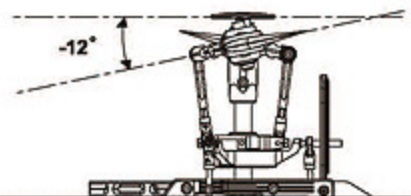
3D FLIGHT 3D特技飛行模式



Stick position at high/Throttle 100%/Pitch+12°
搖桿高速/油門100%/Pitch+12°



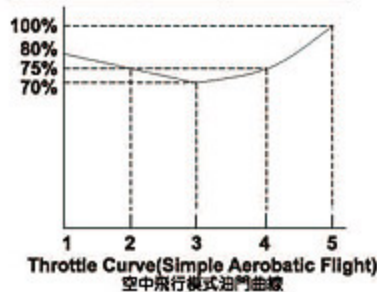
Stick position at middle/Throttle 90%/Pitch 0°
搖桿中速/油門90%/Pitch 0°



Stick position at low/Throttle 100%/Pitch-12°
搖桿低速/油門100%/Pitch-12°

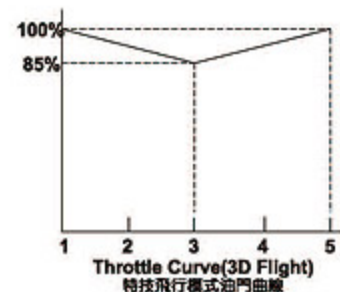
IDLE 1: SPORT FLIGHT

Throttle 油門	Pitch 螺距
5 100%	+10°~+12°
4 75%	
3 70%	+5°
2 75%	
1 80%	-5°



IDLE 2: 3D FLIGHT

Throttle 油門	Pitch 螺距
5 100% High 100% 高	+12°
3 85% Middle 85% 中	0°
1 100% Low 100% 低	-12°



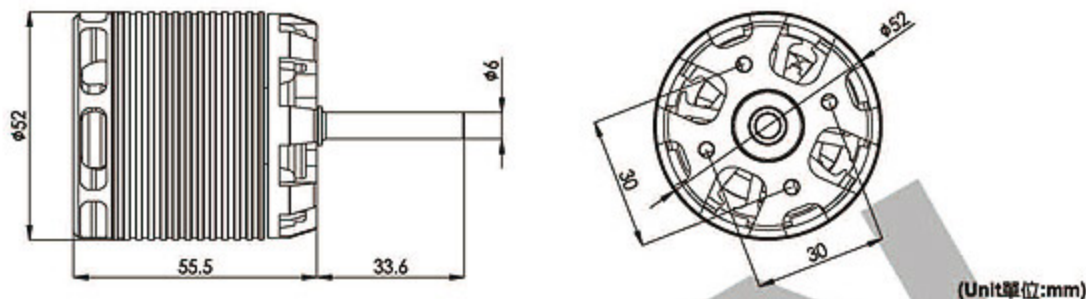
1. Pitch range : Approx. ±15°.
2. If the pitch is set too high, it will result in shorter flight duration and poor motor performance.
3. Setting the throttle to provide a higher speed is preferable to increasing the pitch too high.
1. 螺距(Pitch)總行程約 ±15°。
2. 過大螺距設定, 會導致動力與飛行時間降低。
3. 動力提昇以較高轉速的設定方式, 優於螺距調大的設定。

This new Brushless motor developed by the ALIGN POWER R&D TEAM, is packed with the latest, cutting edge technology available today. It features exceptional levels of high-torque power. The 730MX utilizes an 8-pole outrunner stator-rotor and unrivaled Ndfeb extra strong magnets that traditional magnets cannot compare to. Also included is a high temperature, wear-resisting, low friction, double ZZ high efficiency bearing. The 730MX will be the most revolutionary motor operating on low current amperage, and delivering high torque to RC models.

由亞拓動力團隊獨家研發出新款的無刷馬達，具有超高扭力特色，採用12槽矽鋼片、6極外轉子以及傳統磁鐵無法比擬的釹鐵硼超強磁鐵，搭配高溫耐磨的雙ZZ超高效能精密軸承設計，電流低、扭力強，將是下一波動革命中的最具代表性的一顆星。

RCM-BL730MX MOTOR RCM-BL730MX 無刷馬達

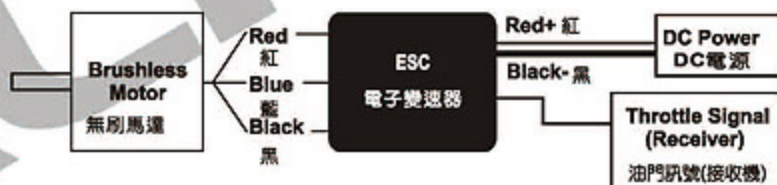
SPECIFICATION 尺寸規格



(Unit單位:mm)

KV	KV值	850KV(RPM/V)	Input voltage	輸入電壓	6S
Stator Arms	矽鋼片槽數	12	Magnet Poles	磁鐵極數	8
Max continuous current	最大持續電流	115A	Max instantaneous current	最大瞬間電流	195A(5sec)
Max continuous power	最大持續功率	2550W	Max instantaneous power	最大瞬間功率	4330W(5sec)
Dimension	尺寸	Shaft ϕ 6x52x89.1mm	Weight	重量	Approx. 380g

ILLUSTRATION 接線示意圖



The motor rotates in different direction with different brand ESCs. If the wrong rotating direction happens, please switch any two cables to make the motor rotates in right direction.

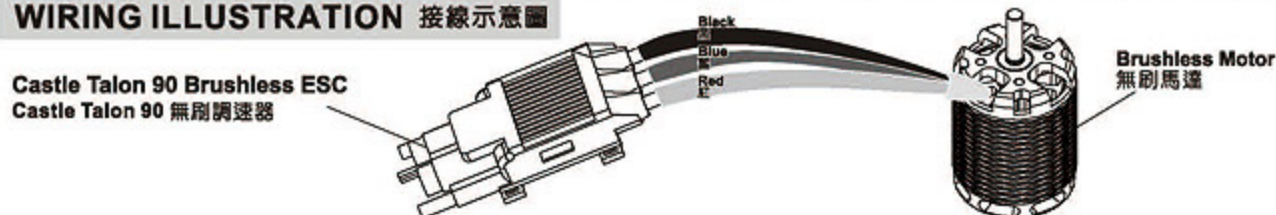
由於各品牌電子變速器的馬達啟動轉向不盡相同，若發生轉向錯誤時，請將馬達與電子變速器的接線任兩條對調即可。

PRODUCT FEATURES 產品特點

1. Brushless motor operation up to 90 amps with 6S (25.2V) max input.
2. Up to 20 amp BEC output. Continuous rating of 9 amps.
3. User selectable BEC voltage, 6 or 8 volts.
4. Advanced governor modes and autorotate bailout capabilities may be accessed using Castle Link USB adapter (coupon included in this package) and free Windows software. (www.castlecreations.com)

1. 支援6S (25.2V) 無刷馬達運作，最大輸入為90安培。
2. BEC最大輸出20安培，持續9安培。
3. 使用者可調整選擇BEC輸出電壓，6伏或8伏。
4. 透過Castle Link USB適配器，與免費的Windows軟件 (www.castlecreations.com)，可以使用進階定速模式與熄火降落緊急回復功能。

WIRING ILLUSTRATION 接線示意圖



SPECIFICATION 產品規格

1. Operating Voltage : 3S Min 6S Max (12V-25.2V).
2. Continuous Current : 90 amps.
3. Peak Current : 140 amps for 5 seconds. With proper cooling and ESC exterior temp at or below 70C.
4. BEC output : 20 amp peak, 9 amps continuous. Always check servo draw prior to flight.
5. Dimensions : 80(L) x 43 (W) x 18(H) mm.
6. Weight : 84.5g with 150mm power wires.
7. Max RPM : 320,000 divided by motor pole count.

1. 輸入工作電壓 : 3S -6S (12V-25.2V)。
2. 輸出持續電流 : 90 amps。
3. 最高耐電流 : 140安培持續5秒。需具有良好的散熱和ESC外部溫度等於或低於70°C。
4. BEC輸出 : 瞬間20安培, 持續9安培。飛行前請務必檢查伺服器動作。
5. 尺寸 : 80(L) x 43 (W) x 18(H) mm。
6. 重量 : 84.5克包含150mm電源線。
7. 最高RPM : 320,000除以馬達的極數。

INITIAL SETTINGS AND OPERATION 初始設置和操作

1. Throttle Type : Fixed-Endpoints
2. Throttle Response : 5 medium
3. Initial Spool-Up Rate : 5 medium
4. Head Speed Change Rate : 8 high
5. Low Voltage Cutoff Type : Soft Cutoff
6. PWM Rate : 12 kHz
7. Auto-Lipo Volts/Cell : 3.2 Volts/Cell
8. Cutoff Voltage : Auto-LiPo
9. BEC Voltage : 6.0V

1. 油門形式 : 固定行程
2. 油門反應 : 5 (中)
3. 緩啟動速率 : 5 (中)
4. 主旋翼轉速變換速率 : 8 (高)
5. 低電壓截止類型 : 緩斷電
6. PWM : 12 kHz
7. Auto-Lipo Volts/Cell : 3.2 Volts/Cell
8. 截止電壓 : Auto-LiPo
9. BEC 輸出電壓 : 6.0V

This controller is configured with settings chosen by Align Corporation for this heli and motor combination. No controller programming is required to operate your heli.

The ESC is configured to run your heli motor using a traditional helicopter throttle curve in your radio. Refer to your radio transmitter's instructions for directions.

The Talon 90 ESC requires a LOW throttle setting after power up to arm. Futaba users may have to reverse throttle channel operation for proper operation.

此無刷調速器的配置為針對亞拓直升機與馬達的設定。無須另外設定。

Talon 90 ESC有一項於接電之後須為最低油門的保護措施。Futaba 的使用者需將油門通道設置為反向後才可以正常運作。

CHANGING USER SELECTABLE SETTINGS BY COMPUTER 用戶可透過電腦更改選擇的設置

This controller supports a number of helicopter throttle types including Castle's direct entry governor mode. Users may access these settings using a Castle Link USB adapter (A coupon for an adapter is included in this package) and Castle's freely downloadable Castle Link software. (www.castlecreations.com).

Most pilots prefer using the direct entry governor mode as it is extremely easy to set up and it offers them optimal performance. Please visit the Castle website for instructions on how to set up the advanced programmable features of your Castle Talon.

此調速器支援多種的直升機油門類型, 包括 Castle 提供的定速模式。使用者也可以透過 Castle Link USB 適配器與提供免費下載的 Castle Link 軟體 (www.castlecreations.com) 來變更設定。

許多飛行員習慣使用定速模式, 因為它容易設定, 並且為他們提供了最佳的性能。

請參訪 Castle 網站的說明, 以了解如何進一步設置 Castle Talon 的功能。

CHANGING USER SELECTABLE SETTINGS BY TRANSMITTER 用戶可由遙控器更改選擇的設置

Once ESC is connected to a motor and radio receiver, follow these steps to enter programming mode and change selected values.

1. Power ESC with TX throttle stick (stick) in the top position (full throttle). LED will repeat a quick single flash.
2. Move stick to the middle. ESC will emit a short tone, and LED repeats a quick double flash. Repeat high / medium through to a triple flash.
3. ESC will emit four short tones, and the LED repeats a long single flash.
4. To step through settings and values by answering "Yes"(full throttle) or "NO"(low throttle). The setting and value are "Flashed" out by the LED. Example: setting #3 value #2, = 3 beeps/ flashes, then 2 beeps/ flashes. Answering "NO" moves to the next value. A "YES" answer is signaled by rapid LED flashes and a constant beep.
5. Move the stick to the middle position to move to next setting. Repeat steps 4 and 5 as needed.
6. Once the desired settings are entered, and removed, then reconnect power. Arm speed control as normal.

一旦ESC連接到馬達和接收機, 請按照下列步驟操作, 進入設定模式, 並改變所選的數值。

步驟1. 遙控器油門搖桿置於最高位置(全開)並開啟Castle ESC電源。LED將重複的快速閃爍一次。

步驟2. 將搖桿置於中間。Castle ESC會發出短促的提示音, LED將重複的快速閃爍二次。再重複上述步驟→高油門→中油門進入快速閃爍三次。

步驟3. Talon ESC會發出四短聲, LED會重複長閃爍一次。

步驟4. 經由回答"是"(全油門)或"否"(低油門)的步驟來改變設置選項和數值。設置選項與數值由LED的"閃爍"表示。例如: 設置選項#3數值#2會以3次嗶叫/閃爍, 接著2次嗶叫/閃爍來表示。回答"否"來移動到下一個數值。回答"是"選擇該數值後LED燈會快速的閃爍, 並持續的發出嗶嗶聲來表示。

步驟5. 將搖桿移動到中間位置來移動到下一個設置選項。根據需要重複步驟4和5。

步驟6. 一旦輸入與刪除所需的設置, 然後重新連接電源。調速器的開機聲音就會回到正常。

Setting 設置選項	Battery cell cutoff voltage 電池低電壓保護	Brake Type 煞車模式	Low Voltage Cutoff Type 低電壓保護斷電模式	PWM Switching Rate PWM 頻率
Value 1 數值1	3.0V	Only in fixed wing mode 僅限於固定翼模式	Hard 急斷電	8kHz
Value 2 數值2	3.1V	Only in fixed wing mode 僅限於固定翼模式	Soft (factory setting) 緩斷電 (初始設定)	12kHz (factory Setting) 12kHz (初始設定)
Value 3 數值3	3.2V (Factory setting) 3.2V (初始設定)	Only in fixed wing mode 僅限於固定翼模式	RPM decrease RPM減少	16kHz
Value 4 數值4	3.3V	Only in fixed wing mode 僅限於固定翼模式	Pulsing throttle 油門間歇性輸出	—
Value 5 數值5	3.4V	Only in fixed wing mode 僅限於固定翼模式	—	—
Value 6 數值6	DISABLED 禁用	Brake disabled (factory setting) 無煞車 (初始設定)	—	—

1. Always refer to battery vendor's instructions for voltage setting.
2. Refer to motor manufacturer's instructions for frequency setting.

1. 請務必參閱電池供應商所標示的電壓設定。

2. 請參閱馬達製造商的標示頻率設定。

PLEASE PRACTICE SIMULATION FLIGHT BEFORE REAL FLYING 飛行前請先熟練電腦模擬飛行

A safe and effective practice method is to use the transmitter flying on the computer through simulator software sold on the market. Do a simulation flight until you familiarize your fingers with the movements of the rudders, and keep practicing until the fingers move naturally.

1. Place the helicopter in a clear open field (Make sure the power OFF) and the tail of helicopter point to yourself.
2. Practice to operate the throttle stick (as below illustration) and repeat practicing "Throttle high/low", "Aileron left/right", "Rudder left/right", and "Elevator up/down".
3. The simulation flight practice is very important, please keep practicing until the fingers move naturally when you hear operation orders being call out.

在還沒瞭解直昇機各動作的操控方式前，嚴禁實機飛行，請先進行電腦模擬飛行的練習，一種最有效、最安全的練習方式，就是透過市面販售的模擬軟體，以遙控器在電腦上模擬飛行，熟悉各種方向的操控，並不斷的重複，直到手指可熟練的控制各個動作及方向。

1. 將直昇機放在空曠的地方(確認電源為關閉)，並將直昇機的機尾對準自己。

2. 練習操作遙控器的各搖桿(各動作的操作方式如下圖)，並反覆練習油門高/低、副翼左/右、升降舵前/後及方向舵左/右操作方式。

3. 模擬飛行的練習相當重要，請重複練習直到不需思索，手指能自然隨著喊出的指令移動控制。



Mode 1	Mode 2	Illustration 圖示
Aileron 副翼		<ul style="list-style-type: none"> Move left 左移 Move right 右移 Rotate left 左翻 Rotate right 右翻
Elevator 升降/前後		<ul style="list-style-type: none"> Fly forward 前進 Fly backward 後退 Forward rotate 前翻 backward rotate 後翻
Throttle 油門		<ul style="list-style-type: none"> Ascent 上升 Descent 下降
Rudder 方向		<ul style="list-style-type: none"> Turn right 右旋 Turn left 左旋

FLIGHT ADJUSTMENT AND NOTICE 飛行調整與注意

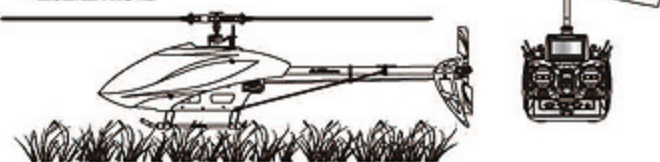


- ⊙ Check if the screws are firmly tightened.
- ⊙ Check if the transmitter and receivers are fully charged.
- ⊙ 再次確認→螺絲是否鎖固?
- ⊙ 發射器和接收器電池是否足夠。



If there are other radio control aircraft at the field, make sure to check their frequencies and tell them what frequency you are using. Frequency interference can cause your model, or other models to crash and increase the risk of danger. 假使飛行場有其他遙控飛機，請確認他們的頻率，並告知他們您正在使用的頻率，相同的頻率會造成干擾導致失控和大大地增加風險。

- When arriving at the flying field.
- 當抵達飛行場



STARTING AND STOPPING THE MOTOR 啟動和停止馬達



First check to make sure no one else is operating on the same frequency. Then place the throttle stick at lowest position and turn on the transmitter. 首先確認附近沒有其他相同頻率的使用，然後打開發射器將油門搖桿推到低點。

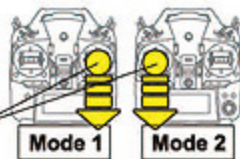
- Check the movement.
- 動作確認



ON! Step1
First turn on the transmitter.
先開啟發射器



Check if the throttle stick is set at the lowest position. 確認油門搖桿是在最低的位置。



- ⊙ Are the rudders moving according to the controls?
- ⊙ Follow the transmitter's instruction manual to do a range test.
- ⊙ 方向舵是否隨著控制方向移動?
- ⊙ 根據發射器說明書進行距離測試。



ON! Step2
Connect to the helicopter power
接上直昇機電源

OFF! Step3
Reverse the above orders to turn off.
關閉電源時請依上述操作動作反執行。

This procedure is best performed on soft surfaces such as grass. The use of rubber skid stopper is recommended on hard surface to prevent vibration feedback from the ground to Gpro, resulting in over-corrections.

將直升機置於柔軟地面上，建議硬地起飛腳架上避震墊圈。避免升空前腳架與過硬的地面震動太大反饋至機身上的Gpro，影響無平衡翼系統升空前過度修正。

Rubber skid stoppers installed
裝上避震墊圈



If swashplate should tilt prior to lift off, do not try to manually trim the swashplate level. This is due to vibration feedback to the Gpro, and will disappear once helicopter lifts off the ground. If manual trim is applied, helicopter will tilt immediately after liftoff.

直昇機離地前，十字盤可能因Gpro受震動的反饋，使十字盤有傾斜的情形，此時請勿刻意將十字盤修正為水平狀態，此現象只要離地升空時立即解除，可平穩升空；若刻意將十字盤修正為水平時，反而會造成感應器過度修正，一離地即偏往修正方向的危險。

MAIN ROTOR ADJUSTMENTS 主旋翼雙槳平衡調整

1. Before adjusting, apply a red piece of tape on one blade, or paint a red stripe with a marker or paint to identify on blade.
2. Raise the throttle stick slowly and stop just before the helicopter lifts-off ground. Look at the spinning blades from the side of the helicopter.
3. Look at the path of the rotor carefully. If the two blades rotate in the same path, it does not need to adjustment. If one blade is higher or lower than the other blade, adjust the tracking immediately.

1. 調整前先在其中一支主旋翼的翼端，貼上有顏色的貼紙或畫上顏色記號，方便雙槳調整辨識。
2. 慢慢的推起油门搖桿到高點並且停止，在飛機離地前，從飛機側邊觀察主旋翼轉動。
3. 仔細觀察旋翼軌跡(假如兩支旋翼移動都是相同軌跡，則不需要調整;可是如果一支旋翼較高或較低產生“雙槳”的情形時，則必須立刻調整軌跡)。

- a. When rotating, the blade with higher path means the pitch is too big. Please shorten DFC ball link for regular trim.
- b. When rotating, the blade with lower path means the pitch too small. Please lengthen DFC ball link for regular trim.

- a. 旋翼轉動時較高軌跡的主旋翼表示螺距(PITCH)過大，請調短DFC連桿頭修正。
- b. 旋翼轉動時較低軌跡的主旋翼表示螺距(PITCH)過小，請調長DFC連桿頭修正。



Tracking adjustment is very dangerous, so please keep away from the helicopter at a distance of at least 10m.

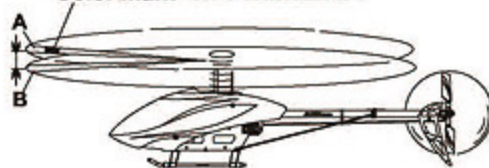
調整軌跡非常危險，請於距離飛機最少10公尺的距離。

Incorrect tracking may cause vibrations. Please repeat adjusting the tracking to make sure the rotor is correctly aligned. After tracking adjustment, please check the pitch angle is approx. $+5\sim 6^\circ$ when hovering.

不正確的旋翼軌跡會導致震動，請不斷重複調整軌跡，使旋翼軌跡精準正確。

在調整軌跡後，確認一下Pitch角度在停旋時應為大約 $+5\sim 6^\circ$ 。

Color mark 有標示記號的主旋翼



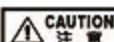
FLIGHT ADJUSTMENT AND NOTICE 飛行調整與注意

⊙ During the operation of the helicopter, please stand approximately 10M diagonally behind the helicopter.

⊙ 飛行時，請站在直昇機後方最少10公尺。



- ⊙ Make sure that no one or obstructions in the vicinity.
- ⊙ For flying safety, please carefully check if every movement and directions are correct when hovering.
- ⊙ 確認鄰近地區沒有人和障礙物。
- ⊙ 為了飛行安全，您必須先確認停懸時各項操控動作是否正常。

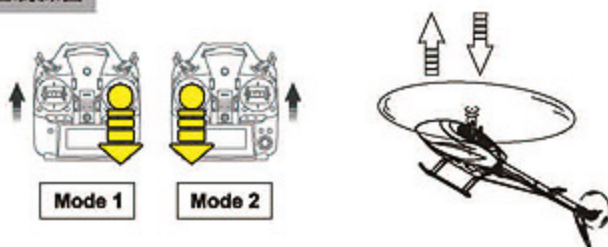


Do not attempt until you have some experiences with the operation of helicopter.
嚴禁無熟練操控飛行經驗者操控飛行。

STEP 1 THROTTLE CONTROL PRACTICE 油門控制練習

◎When the helicopter begins to lift-off the ground, slowly reduce the throttle to bring the helicopter back down. Keep practicing this action until you control the throttle smoothly.

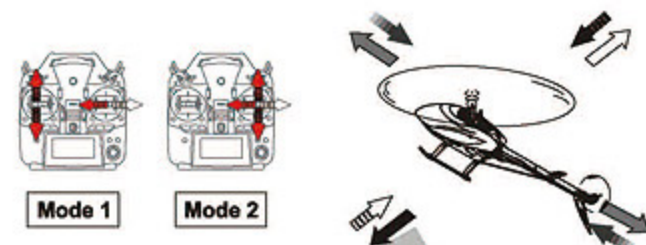
◎當直昇機開始離地時，慢慢降低油門將飛機降下。持續練習飛機從地面上升和下降直到您覺得油門控制很順。



STEP 2 AILERON AND ELEVATOR CONTROL PRACTICE 副翼和升降控制練習

1. Raise the throttle stick slowly.
2. Move the helicopter in any direction back, forward, left and right, slowly move the aileron and elevator sticks in the opposite direction to fly back to its original position.

1. 慢慢升起油門搖桿。
2. 使直昇機依指示：移動向後/向前/向左/向右，慢慢的反向移動副翼和升降搖桿並將直昇機回到原來位置。



◎If the nose of the helicopter moves, please lower the throttle stick and land the helicopter. Then move your position diagonally behind the helicopter 10M and continue practicing.

◎If the helicopter flies too far away from you, please land the helicopter and move your position behind 10M and continue practicing.

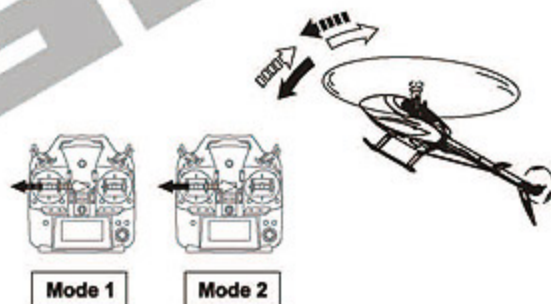
◎當直昇機機頭偏移時，請降低油門並且降落，然後移動自己的位置到直昇機的正後方10公尺再繼續練習。

◎假如直昇機飛離你太遠，請先降落直昇機，並到直昇機後10公尺再繼續練習。

STEP 3 RUDDER CONTROL PRACTICING 方向舵操作練習

1. Slowly raise the throttle stick.
2. Move the nose of the helicopter to right or left, and then slowly move the rudder stick in the opposite direction to fly back to its original position.

1. 慢慢升起油門搖桿。
2. 將直昇機機頭移動左或右，然後慢慢反向移動方向舵搖桿並將直昇機飛回原本位置。



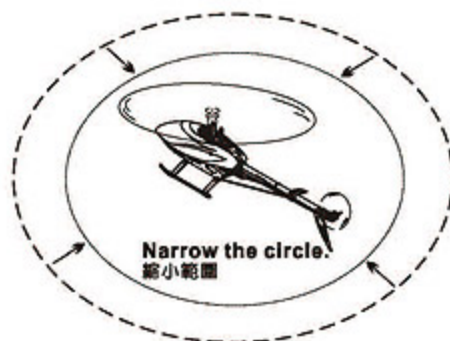
STEP 4

After you are familiar with all actions from STEP1 to 3, draw a circle on the ground and practice within the circle to increase your accuracy.

當你覺得 STEP1~3 動作熟悉了，在地上畫圈並在這個圈內的範圍內練習飛行，以增加你操控的準確度。

◎You can draw a smaller circle when you get more familiar with the actions.

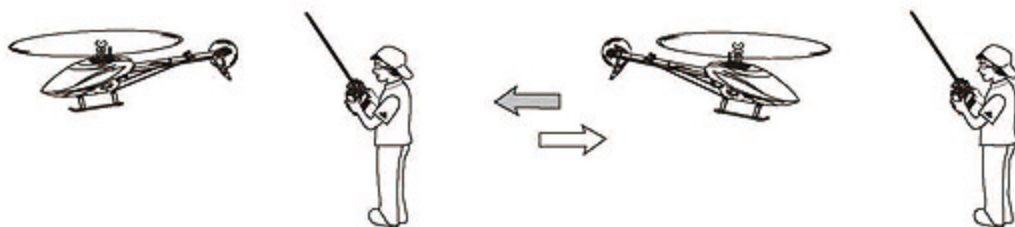
◎當你更加習慣操作動作，你可以畫更小的圈。



STEP 5 DIRECTION CHANGE AND HOVERING PRACTICE 改變直昇機方向和練習停旋

After you are familiar with STEP1 to 4, stand at side of the helicopter and continue practicing STEP1 to 4. Then repeat the STEP1 to 4 by standing right in front of the helicopter.

當你覺得STEP1~4動作熟悉了，站在面對直昇機側邊並繼續練習STEP1~4。之後，站在直昇機機頭右邊重複步驟練習。



	Problem 狀況	Cause 原因	Solution 對策
Blade Tracking 雙槳平衡	Tracking is Off 雙槳	Pitch linkage rods are not even length PITCH連桿長度調整不平均	Adjust length of DFC ball link. 調整DFC連桿頭長度
Hover 停懸	Headspeed too low 主旋翼轉速偏低	Excessive pitch 主旋翼的PITCH偏高	Adjust DFC ball link to reduce pitch by 4 to 5 degrees. 調整DFC連桿頭調低Pitch約+4~5度
		Hovering throttle curve is too low 停懸點油門曲線過低	Increase throttle curve at hovering point on transmitter (around 60%) 調高停懸點油門曲線(約60%)
	Headspeed too high 主旋翼轉速偏高	Not enough pitch 主旋翼的PITCH偏低	Adjust DFC ball link to increase pitch by 4 to 5 degrees. 調整DFC連桿頭調高Pitch約+4~5度
		Hovering throttle curve is too high 停懸點油門曲線過高	Decrease throttle curve at hovering point on transmitter (around 60%) 調低停懸點油門曲線(約60%)
Rudder Response 尾舵反應	Drifting of tail occurs during hovering, or delay of rudder response when centering rudder stick. 停懸時尾翼向某一邊偏移，或撥動方向舵並回復到中立點時，尾翼產生延遲，無法停鎖在所控制位置上。	Rudder neutral point improperly set 尾中立點設定不當	Reset rudder neutral point 重設尾中立點
		Rudder gyro gain too low 尾舵陀螺儀感度偏低	Increase rudder gyro gain 增加尾舵陀螺儀感度
	Tail oscillates (hunting, or wags) at hover or full throttle 停懸或全油門時尾翼左右來回搖擺。	Rudder gyro gain too high 尾舵陀螺儀感度偏高	Reduce rudder gyro gain 降低尾舵陀螺儀感度

If above solution does not resolve your issues, please check with experienced pilots or contact your Align dealer.

※在做完以上調整後，仍然無法改善情況時，應立即停止飛行並向有經驗的飛手諮詢或連絡您的經銷商。

ALIGN

Specifications & Equipment/規格配備:

Length/機身長:1070mm

Height/機身高:337mm

Main Blade Length/主旋翼長:550mm

Main Rotor Diameter/主旋翼直徑:1248mm

Tail Rotor Diameter/尾旋翼直徑:254mm

Motor Drive Gear/馬達齒輪:16T

Main Drive Gear/主齒輪:112T

Autorotation Tail Drive Gear/尾驅動主齒:131T

Tail Drive Gear/尾翼傳動齒:34T

Drive Gear Ratio/齒輪傳動比: 7:1:3.85

Flying Weight/全配重: Approx. 2790g

