

Super Combo

ALIGN

T-REX 550E DFC

INSTRUCTION MANUAL

使用說明書

RH55E01XT

3GX

Compact



Contents	
1	INTRODUCTION 前言
1~2	SAFETY NOTES 安全注意事項
3	EQUIPMENT REQUIRED FOR ASSEMBLY 自備設備
3	PACKAGE ILLUSTRATION 包裝說明
4	SAFETY CHECK BEFORE FLYING 飛行前安全檢查
5~14	ASSEMBLY SECTION 組裝說明
15	BRUSHLESS SPEED CONTROLLER INSTALLATION SUGGESTION ESC 無刷調速器安裝建議位置
16	3GX FLYBARLESS SYSTEM INSTALLATION 3GX 無平衡翼系統安裝
16	CANOPY ASSEMBLY 機頭罩安裝
17	ELECTRICEQUIPMENT ILLUSTRATION 電子設備建議設置圖示
18	SERVO AND LINKAGE ROD SETTING ILLUSTRATION 伺服器設定與調整
18	ADJUSTMENTS FOR GYRO AND TAIL NEUTRAL SETTING 陀螺儀與尾翼中立點調整
19	PITCH AND THROTTLE SETTING 主旋翼螺距與油門設定
20~32	3GX FLYBARLESS MANUAL 無平衡翼系統使用說明
33	3GX V3.1 SETUP TABLE 3GX V3.1 簡易設定表
34	RCM-BL600MX 1200KV POWER COLLOCATION REFERENCE 原裝動力數據參考表
34~35	CASTLE TALON 90 BRUSHLESS ESC INSTRUCTION MANUAL CASTLE TALON 90 無刷調速器使用說明
36~37	3GX FLYBARLESS FLIGHT TEST PROCEDURE 飛行前測試程序
37~40	FLIGHT ADJUSTMENT AND SETTING 飛行動作調整與設定
40	3GX FLYBARLESS PREFLIGHT CHECK 飛行前測試程序
41	TROUBLESHOOTING 飛行中狀況排除
42	Q & A 問與答

3Axis MEMS I2BIR AP3 G SUBUS Easy Energy Stable GOV 600 1200 1500 1800 RoHS

Thank you for buying ALIGN products. The T-REX 550E DFC is the latest technology in Rotary RC models. Please read this manual carefully before assembling and flying the new T-REX 550E DFC helicopter. We recommend that you keep this manual for future reference regarding tuning and maintenance.

承蒙閣下選用亞拓遙控世界系列產品，謹表謝意。進入遙控世界之前必須告訴您許多相關的知識與注意事項，以確保您能夠在學習的過程中較得心應手。在開始操作之前，請務必詳閱本說明書，相信一定能夠給您帶來相當大的幫助，也請您妥善保管這本說明書，以作為日後參考。

Thank you for buying ALIGN Products. The T-REX 550E DFC Helicopter is designed as an easy to use, full featured Helicopter R/C model capable of all forms of rotary flight. Please read the manual carefully before assembling the model, and follow all precautions and recommendations located within the manual. Be sure to retain the manual for future reference, routine maintenance, and tuning. The T-REX 550E DFC is a new product developed by ALIGN. It features the best design available on the Micro-Heli market to date, providing flying stability for beginners, full aerobatic capability for advanced fliers, and unsurpassed reliability for customer support.

感謝您選購亞拓產品，為了讓您容易方便的使用 T-REX 550E DFC 直昇機，請您詳細的閱讀完這本說明書之後再進行組裝以及操作這台直昇機，同時請您妥善的保存這本說明書，作為日後進行調整以及維修的參考。T-REX 550E DFC 是由亞拓自行研發的新產品，不論是需求飛行穩定性的初學者或是追求性能的飛行愛好者，T-REX 550E DFC 將是您最佳的選擇。

WARNING LABEL LEGEND 標誌代表涵義

 FORBIDDEN 禁止	Do not attempt under any circumstances. 在任何禁止的環境下，請勿嘗試操作。
 WARNING 警告	Mishandling due to failure to follow these instructions may result in damage or injury. 因為疏忽這些操作說明，而使用錯誤可能造成財產損失或嚴重傷害。
 CAUTION 注意	Mishandling due to failure to follow these instructions may result in danger. 因為疏忽這些操作說明，而使用錯誤可能造成危險。

IMPORTANT NOTES 重要聲明

R/C helicopters, including the T-REX 550E DFC are not toys. R/C helicopter utilize various high-tech products and technologies to provide superior performance. Improper use of this product can result in serious injury or even death. Please read this manual carefully before using and make sure to be conscious of your own personal safety and the safety of others and your environment when operating all ALIGN products. Manufacturer and seller assume no liability for the operation or the use of this product. This product is intended for use only by adults with experience flying remote control helicopters at a legal flying field. After the sale of this product we cannot maintain any control over its operation or usage.

As the user of this product, you are solely responsible for operating it in a manner that does not endanger yourself and others or result in damage to the product or the property of others.

T-REX 550E DFC 遙控直昇機並非玩具，它是結合了許多高科技產品所設計出來的休閒用品，所以商品的使用不當或不熟悉都可能會造成嚴重傷害甚至死亡，使用之前請務必詳讀本說明書，勿疏忽並注意自身安全。注意！任何遙控直昇機的使用，製造商和經銷商是無法對使用者於零件使用的損耗異常或組裝不當所發生之意外負任何責任，本產品是提供給有操作過模型直昇機經驗的成人或有相當技術的人員在旁指導於當地合法遙控飛行場飛行，以確保安全無虞下操作使用，產品售出後本公司將不負任何操作和使用控制上的任何性能與安全責任。

做為本產品的使用者，您，是單一對於您自己操作的環境及行為負全部的責任之人。

We recommend that you obtain the assistance of an experienced pilot before attempting to fly our products for the first time. A local expert is the best way to properly assemble, setup, and fly your model for the first time. The T-REX 550E DFC requires a certain degree of skill to operate, and is a consumer item. Any damage or dissatisfaction as a result of accidents or modifications are not covered by any warranty and cannot be returned for repair or replacement. Please contact our distributors for free technical consultation and parts at discounted rates when you experience problems during operation or maintenance. As Align Corporation Limited has no control over use, setup, final assembly, modification or misuse, no liability shall be assumed nor accepted for any resulting damage or injury. By the act of use, setup or assembly, the user accepts all resulting liability.

模型商品屬於高操作技術且為消耗性之商品，如經拆裝使用後，會造成不等情況零件損耗，任何使用情況所造成商品不良或不滿意，將無法於保固條件內更換新品或退貨，如遇有使用操作雜項問題，本公司全省分公司或代理店將提供技術指導、特價零件供應服務。對使用者的不當使用、設定、組裝、修改、或操作不良所造成的破壞或傷害，本公司無法控制及負責。任何使用、設定、組裝、修改、或操作不良所造成的破壞、意外或傷害，使用者應承擔全部責任。

2. SAFETY NOTES 安全注意事項

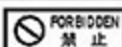


• Fly only in safe areas, away from other people. Do not operate R/C aircraft within the vicinity of homes or crowds of people. R/C aircraft are prone to accidents, failures, and crashes due to a variety of reasons including, lack of maintenance, pilot error, and radio interference. Pilots are responsible for their actions and damage or injury occurring during the operation or as a result of R/C aircraft models.

• Prior to every flight, carefully check rotorhead spindle shaft screws and tail blade grip screws, linkage balls and screws, ensure they are firmly secured.

• 遙控模型飛機、直昇機屬高危險性商品，飛行時務必遠離人群，人為組裝不當或零件損壞、電子控制設備不良，以及操控上的不熟悉，都有可能導致飛行失控損傷等不可預期的意外，請飛行者務必注意飛行安全，並需了解自負疏忽所造成任何意外之責任。

• 每趟飛行前須仔細檢查，主旋翼夾座橫軸螺絲、尾旋翼夾座螺絲，以及機身各部位球頭、螺絲，確實上膠鎖緊才能昇空飛行。

**LOCATE AN APPROPRIATE LOCATION 遠離障礙物及人群**

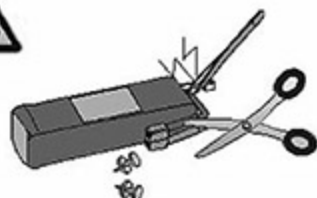
R/C helicopters fly at high speed, thus posing a certain degree of potential danger. Choose a legal flying field consisting of flat, smooth ground without obstacles. Do not fly near buildings, high voltage cables, or trees to ensure the safety of yourself, others and your model. For the first practice, please choose a legal flying field. Do not fly your model in inclement weather, such as rain, wind, snow or darkness.

真昇機飛行時具有一定的速度，相對的也潛在著危險性，場地的選擇也相對的重要，請需遵守當地法規到合法遙控飛行場地飛行。務必選擇在空曠合法專屬飛行場地，並必須注意周邊有沒有人、高樓、建築物、高壓電線、樹木等等，避免操控的不當造成自己與他人財產的損壞。請勿在下雨、打雷等惡劣天候下操作，以確保本身及機體的安全。

**NOTE ON LITHIUM POLYMER BATTERIES 鋰聚電池注意事項**

Lithium Polymer batteries are significantly more volatile than alkaline or Ni-Cd/Ni-MH batteries used in RC applications. All manufacturer's instructions and warnings must be followed closely. Mishandling of Li-Po batteries can result in fire. Always follow the manufacturer's instructions when disposing of Lithium Polymer batteries.

鋰聚電池跟一般在RC使用的鹼性電池、鎳鎘電池、鎳氫電池比較起來是相對危險的。請嚴格遵守鋰聚電池說明書之使用注意事項。不恰當使用鋰聚電池，可能造成火災並危及生命財產安全，切勿大意！

**PREVENT MOISTURE 遠離潮濕環境**

R/C models are composed of many precision electrical components. It is critical to keep the model and associated equipment away from moisture and other contaminants. The introduction or exposure to water or moisture in any form can cause the model to malfunction resulting in loss of use, or a crash. Do not operate or expose to rain or moisture.

真昇機內部也是由許多精密的電子零件組成，所以必須絕對的防止潮濕或水氣，避免在浴室或雨天時使用，防止水氣進入機身內部而導致機件及電子零件故障而引發不可預期的意外！

**PROPER OPERATION 勿不當使用本產品**

Please use the replacement of parts on the manual to ensure the safety of instructors. This product is for R/C model, so do not use for other purpose.

請勿自行改造加工，任何的升級改裝或維修，請使用亞拓產品目錄中的零件，以確保結構的安全，請確認於產品限內操作，請勿過載使用，並勿用於安全、法外其他非法用途。

**OBTAIN THE ASSISTANCE OF AN EXPERIENCED PILOT 避免獨自操控**

Before turning on your model and transmitter, check to make sure no one else is operating on the same frequency. Frequency interference can cause your model, or other models to crash. The guidance provided by an experienced pilot will be invaluable for the assembly, tuning, trimming, and actual first flight or unforeseen danger may happen. (Recommend you to practice with computer-based flight simulator.)

至飛行場飛行前，需確認是否有相同頻率的同好正進行飛行，因為開啟相同頻率的發射器將導致自己與他人立即墜機等意外危險。遙控飛機操控技巧在學習初期有著一定的難度，盡量避免獨自操作飛行，需有經驗的人士在旁指導，才可以操縱飛行，否則將可能造成不可預期的意外發生。(勤練電腦模擬器及老手指導是入門必要的選擇)

**SAFE OPERATION 安全操作**

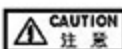
Operate this unit within your ability. Do not fly under tired condition and improper operation may cause in danger. Never take your eyes off the model or leave it unattended while it is turned on. Immediately turn off the model and transmitter when you have landed the model.

請於自己能力內及需要一定技術範圍內操作遙控真昇機，過於疲勞、精神不佳或不當操作，意外發生風險將可能會提高。不可在視線範圍外進行，降落後也請馬上關閉真昇機和遙控器電源。

**ALWAYS BE AWARE OF THE ROTATING BLADES 遠離運轉中零件**

During the operation of the helicopter, the main rotor and tail rotor will be spinning at a high rate of speed. The blades are capable of inflicting serious bodily injury and damage to the environment. Be conscious of your actions, and careful to keep your face, eyes, hands, and loose clothing away from the blades. Always fly the model a safe distance from yourself and others, as well as surrounding objects.

真昇機主旋翼與尾旋翼運轉時會以高轉速下進行，在高轉速下的旋翼會造成自己與他人身上或環境上的嚴重損傷，請勿觸摸運轉中的主旋翼與尾旋翼，並保持安全距離以避免造成危險及損壞。

**KEEP AWAY FROM HEAT 遠離熱源**

R/C models are made of various forms of plastic. Plastic is very susceptible to damage or deformation due to extreme heat and cold climate. Make sure not to store the model near any source of heat such as an oven, or heater. It is best to store the model indoors, in a climate-controlled, room temperature environment.



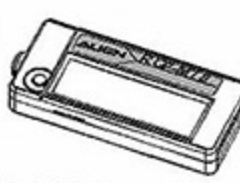






遙控飛機、真昇機多半是以PA纖維或聚乙烯、電子商品為主要材質，因此要盡量遠離熱源、日曬，以避免因高溫而變形甚至熔毀損壞的可能。



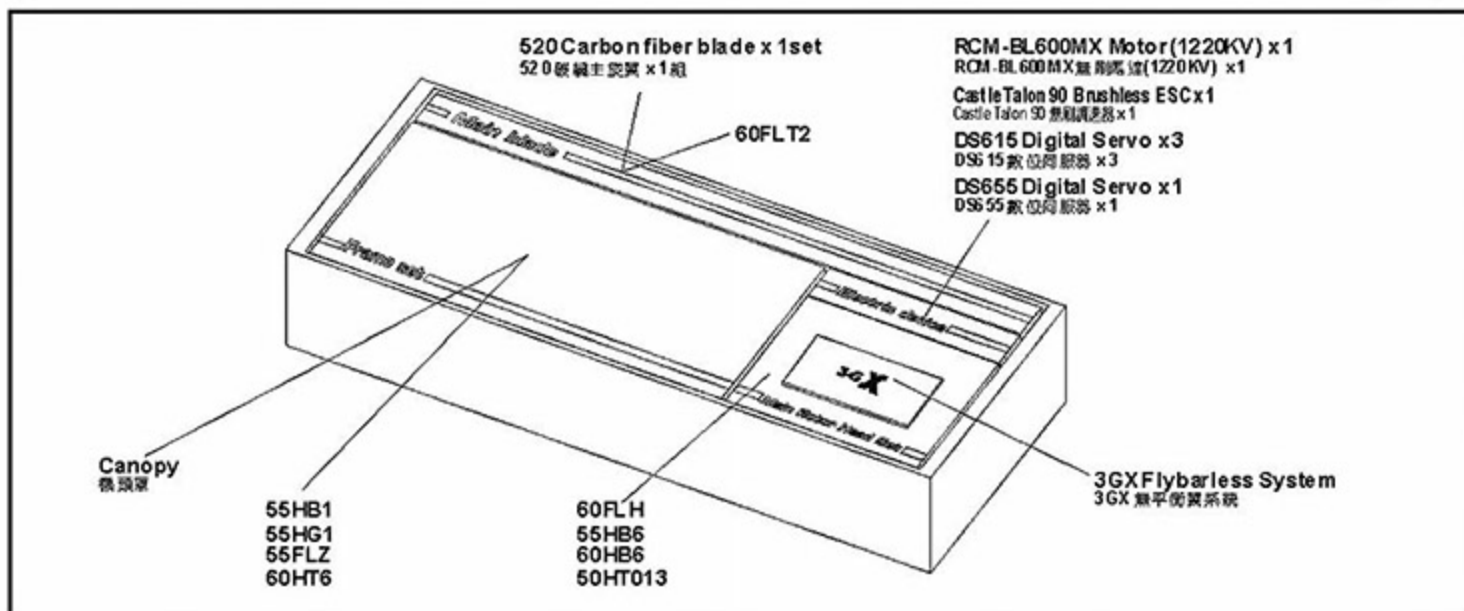
RADIO TRANSMITTER AND ELECTRONIC EQUIPMENT REQUIRED FOR ASSEMBLY 自備遙控及電子設備

 <p>Transmitter (7-channel or more, helicopter system) 發射機(七頻以上直昇機模式遙控器)</p>	 <p>Receiver (6-channel or more) 接收機(七頻以上)</p> <p>or 或</p> <p>Remote receiver 遙控天線</p>
 <p>Li-Po Battery Charger RCC-6CX Li-Po電池充電器 RCC6CX</p>	 <p>22.2V 6S 2600-5200mAh Li-Po Battery x 1pc 22.2V 6S 2600-5200mAh Li-Po電池 x 1</p>

ADDITIONAL TOOLS REQUIRED FOR ASSEMBLY 自備工具

 <p>Swashplate Leveler 十字螺絲起子</p>	 <p>Digital Pitch Gauge 電子傾角規</p>	 <p>Multi-function Tester Voltmeter/Servo Diagnosis 多功能檢測計 電池電壓/伺服機檢測</p>			
 <p>Phillips Screw Driver 十字螺絲起子 φ3.0/φ1.8mm</p>	 <p>Cutter Knife 刀子</p>	 <p>Hexagon Screw Driver 六角螺絲起子 3mm/2.5mm/2mm/1.5mm</p>	 <p>Needle Nose Pliers 尖嘴鉗</p>	 <p>Oil 潤滑油</p>	 <p>CA 瞬間膠</p>

4.PACKAGE ILLUSTRATION 包裝說明



CAREFULLY INSPECT BEFORE REAL FLIGHT 請嚴格執行飛行前檢查義務

- Before flying, please check to make sure no one else is operating on the same frequency for the safety.
- Before flight, please check if the batteries of transmitter and receiver are enough for the flight.
- Before turn on the transmitter, please check if the throttle stick is in the lowest position. IDLE switch is OFF.
- When turn off the unit, please follow the power on/off procedure. Power ON-Please turn on the transmitter first, and then turn on receiver. Power OFF- Please turn off the receiver first and then turn off the transmitter. Improper procedure may cause out of control, so please to have this correct habit.
- Before operation, check every movement is smooth and directions are correct. Carefully inspect servos for interference and broken gear.
- Check for missing or loose screws and nuts. See if there is any cracked and incomplete assembly of parts. Carefully check main rotor blades and rotor holders. Broken and premature failures of parts possibly cause resulting in a dangerous situation.
- Check all ball links to avoid excess play and replace as needed. Failure to do so will result in poor flight stability.
- Check the battery and power plug are fastened. Vibration and violent flight may cause the plug loose and result out of control.
- 每次飛行前應先確認所使用的頻率是否會干擾他人，以確保您自身與他人的安全。
- 每次飛行前確定您發射器與接收器電池的電量是在足夠飛行的狀態。
- 開機前確認油門搖桿是否位於最低點，熄火解脫開關，定速開關(IDLE)是否於關閉位置。
- 開機時必須遵守電源開關機的程序，開機時應先開發射器後，再開接收器電源；關機時應先關閉接收器後，再開發射器電源。不正確的開關程序可能會造成失控的現象，影響自身與他人的安全，請養成正確的習慣。
- 開機請先確定直昇機的各個動作是否順暢，及方向是否正確，並檢查伺服器的動作是否有干涉或崩齒的情形，使用故障的伺服器將導致不可預期的危險。
- 飛行前確認沒有缺少或鬆脫的螺絲與螺帽，確認沒有組裝不完整或損壞的零件，仔細檢查主旋翼是否有損壞，特別是接近主旋翼夾座的部位。損壞或組裝不完整的零件不僅影響飛行，更會造成不可預期的危險。注意：對損耗、有裂紋零件更新及定期保養檢查的重要性。
- 檢查所有的連桿頭是否有鬆脫的情形，過鬆的連桿頭應先更新，否則將造成直昇機無法操控的危險。
- 確認電池及電源接頭是否固定牢靠，飛行中的震動或激烈的飛行，可能造成電源接頭鬆脫而造成失控的危險。

STANDARD EQUIPMENT 標準配備

 55HC2	 60FLH	 55FLZ	 55HB1	 55HB6
 60HB6	 55HG1	 50HT013	 60FLT2	 3GX Flybarless System 3GX 無平衡翼系統
 M4x4 止鎖螺絲 x 1 Motor Pinion Helical Gear 11T x 1pc 馬達齒輪 11T x 1	 RCM-BL600MX Motor (1220KV) x 1 RCM-BL600MX (1220KV) 無刷馬達 x 1	 DS615 Digital Servo x 3 DS655 Digital Servo x 1 DS615 數位伺服 x 3 DS655 數位伺服 x 1	 Castle Talon 90 無刷調速器 x 1	 520 碳纖維主旋翼

When you see the marks as below, please use glue or grease to ensure flying safety.

標有下符號之組裝步驟，請配合上膠或上油，以確保使用之可靠度。

CA: Apply CA Glue to fix.
R48: Apply Anaerobics Retainer to fix.
T43: Apply Thread Lock to fix.
OIL: Add Grease.

CA: 使用瞬間膠固定
R48: 使用金屬管狀固定缺氣膠固定
T43: 使用螺絲膠
OIL: 添加潤滑油

When assembling ball links, make sure the "A" character faces outside.

各項塑膠製連桿頭扣接時，A字請朝外。



Grease
潤滑油



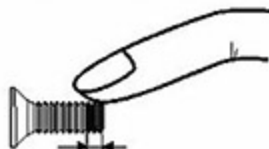
R48
綠色



T43
藍色



Self-furnished
膠絲膠(自備)



T43 Glue width: approx. 1mm
T43 上膠寬度約 1mm

R48 metal tubular adhesive (eg. Bearings). T43 thread lock, apply a small amount on screws or metal parts and wipe surplus off.

When disassembling, recommend to heat the metal joint about 15 Seconds. (NOTE: Keep plastic parts away from heat.)

R48 為強力金屬管狀(如軸承)接著劑，T43 為螺絲膠，膠合螺絲或金屬內外徑請務必少量使用，必要時請用手去除去多餘膠量，欲拆卸時可於金屬接合部位熱烙約 15 秒。(注意！塑膠件避免接近熱源)

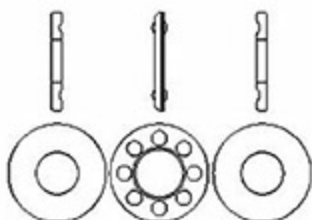
60FLH4



Bearing
軸承 (ø8 x ø14 x 6mm) x 4



Socket collar screw
圓頭內六角軸承鎖絲 (M3x6mm) x 4



Thrust bearing
止推軸承 (ø6 x ø14 x 6mm) x 2

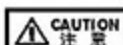
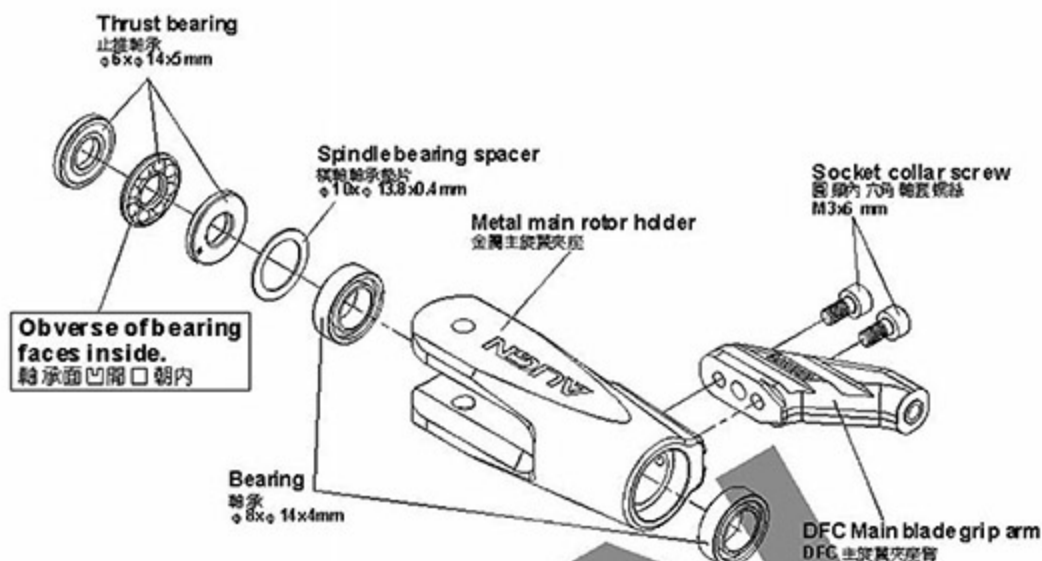


Spindle bearing spacer
鋼制軸承墊片 (ø10 x ø13.8 x 0.4mm) x 2



Already assembled by Factory.
Before flying, please check if
the screws are fixed with glue.

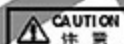
原廠組裝完成品，每一次飛行前請先
確認螺絲是否已上膠不會鬆動。



Thrust bearing and washer for radial
bearing are wear items, and thus should
be inspected for replacement after every
20 flights.

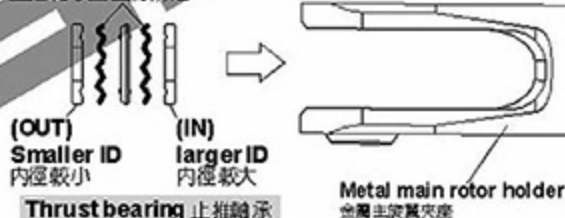
For flights with high headspeed, the
inspection interval should be reduced to
ensure flight safety.

止推軸承及鋼制軸承墊片屬於飛行消耗品，建議每
20次定期檢查及更換。高主旋翼轉速飛行時，
請縮短定期檢查之週數，以確保飛行安全。



Apply grease on thrust bearing.

止推軸承塗上潤滑油



Thrust bearing 止推軸承

60FLH4



Feathering shaft sleeve
鋼制交搭套 (ø8 x ø10 x 31mm) x 1



DFC head damper
DFC 鋼制墊圈 (ø8 x ø12.9 x 6.5mm) x 2



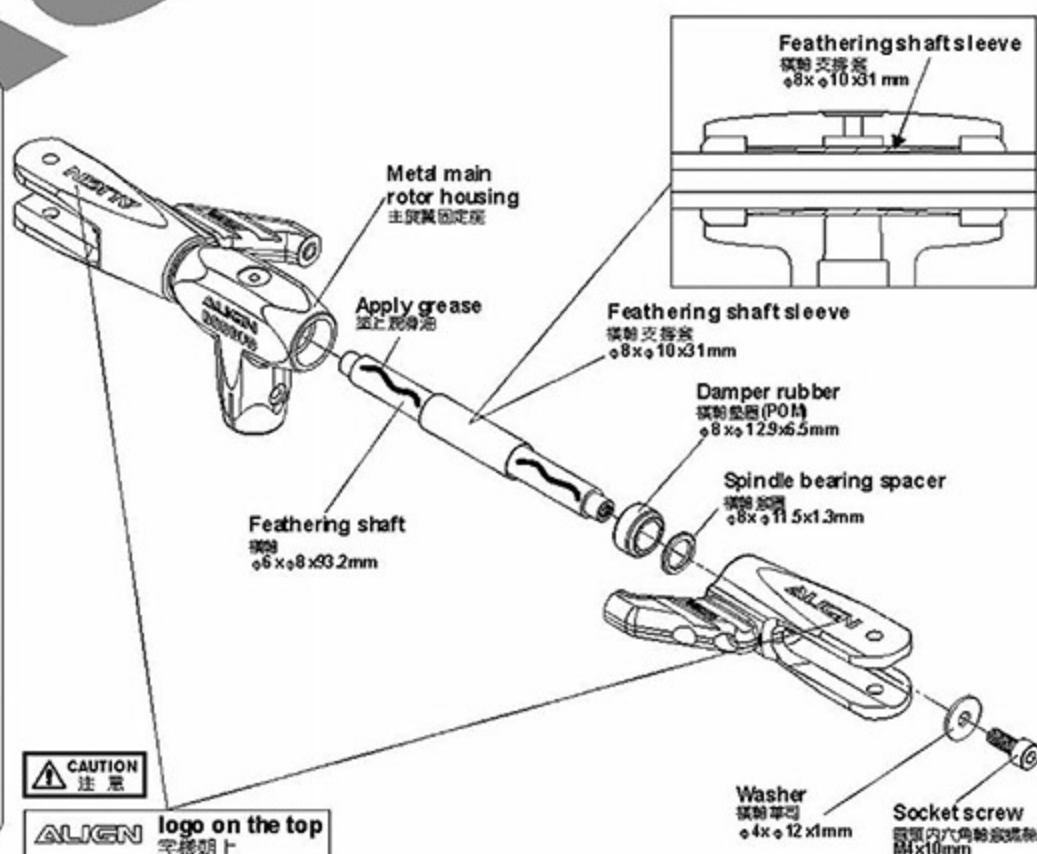
Spacer
鋼制墊圈 (ø8 x ø11.5 x 1.3mm) x 2



Socket screw
圓頭內六角螺絲 (M4 x 10 mm) x 2



Washer
鋼制墊圈 (ø4 x ø12 x 1mm) x 2



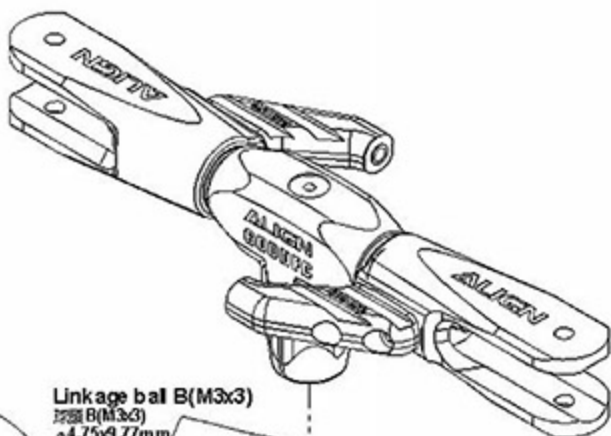
ALIGN logo on the top
字樣朝上

60FLH5

Linkage ball B(M3x3)
球頭B(M3x3)($\phi 4.75 \times 9.77$ mm) x2

Linkage ball D(M3x3.5)
球頭D(M3x3.5)($\phi 5 \times 9.3$ mm) x2

Long linkage ball(M3x3)
球頭長球頭(M3x3)
($\phi 4.75 \times 24.59$ mm) x1



Apply a little amount of T43 thread lock when fixing a metal part.
螺絲鎖附於金屬件請使用適量T43(螺絲膠)

CAUTION
注意

Already assembled by Factory.
Before flying, please check if the screws are fixed with glue.
原裝組裝完成品，每一次飛行前請先確認螺絲是否已上膠不會鬆動。

When tightening a screw to a plastic part, please tighten it firmly, but not over tightened, or they will strip.
螺絲鎖入塑膠件請務必注意，適當扭力鎖緊即可，而過緊的扭力可能會導致滑牙。

Use the outside hole
鎖頭定於外孔

Linkage ball B(M3x3)
球頭B(M3x3)
 $\phi 4.75 \times 9.77$ mm

DFC CCPM Swashplate
DFC CCPM 十字盤組

Long linkage ball (M3x3)
球頭長球頭(M3x3)
 $\phi 4.75 \times 24.59$ mm

Linkage ball D(M3x3.5)
球頭D(M3x3.5)
 $\phi 5 \times 9.3$ mm

60FLH4

Bearing
軸承 ($\phi 3 \times \phi 7 \times 3$ mm) x 4

Washer
華司 ($\phi 3 \times \phi 4.8 \times 0.3$ mm) x2

700DFC Collar
700DFC 連桿套 ($\phi 6 \times \phi 4.85 \times 3$ mm) x2

Socket collar screw
圓頭內六角軸套螺絲 (M3x19 mm) x2

700 DFC Linka rod(A)
700 DFC 連桿A M3 x14 mm x2

Elevator ball link
升降器連桿頭 x2

Socket collar screw
圓頭內六角軸套螺絲
M3x19 mm

M3 Nut
M3 防鬆螺帽

Socket screw
圓頭內六角螺絲
M3x8 mm
Head stopper
旋翼鎖制器

Washer
華司
 $\phi 3 \times \phi 4.8 \times 0.3$ mm

Main rotor griplinkage bearing sleeve
主旋翼連桿軸承套
 $\phi 3 \times \phi 4.9 \times 5$ mm

Bearing
軸承
 $\phi 3 \times \phi 7 \times 3$ mm

Main rotor grip arm integrated control linkage
主旋翼夾板連桿
 $\phi 9 \times 11 \times 12$ mm

700 DFC Linka rod(A)
700 DFC 連桿(A)
M3x14 mm

700 DFC Collar
700 DFC 連桿套
 $\phi 6 \times \phi 4.85 \times 3$ mm

Elevator ball link
升降器連桿頭

Socket collar screw
圓頭內六角軸套螺絲
M3x19 mm

Make sure the linkage rod A is completely fastened with main rotor grip arm integrated control link and apply a little amount of R48 thread lock to avoid any vibration and loose fitted during flight and cause it breaks.

連桿A輸入主旋翼夾板連桿須確實鎖緊，並使用適量R48固定，避免飛行中的震動及鬆動，嚴重可能導致飛行中斷裂。

60FLH4A

Socket screw
圓頭內六角螺絲 (M3x8 mm) x1

M3 Nut
M3 防鬆螺帽 x1

Socket collar screw
圓頭內六角軸套螺絲 (M3x19 mm) x1

You may adjust the length of ball link when tracking is off while flight.
若飛行中有變葉情形，可適當調整連桿長度改善。

Main shaft
主軸
 $\phi 10 \times 163.3$ mm

55HB2

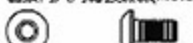


Bearing
軸承 (φ10xφ19.5mm) x2

55HB2A



Socket collar screw
圓頭內六角軸套螺絲(M3x6mm) x24



Socket button head screw
半圓頭內六角螺絲(M3x6mm) x2

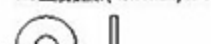
55HG1A



Socket screw
圓頭內六角螺絲(M3x10mm) x4



M3 Set screw
M3止流螺絲(M3x4mm) x4



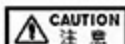
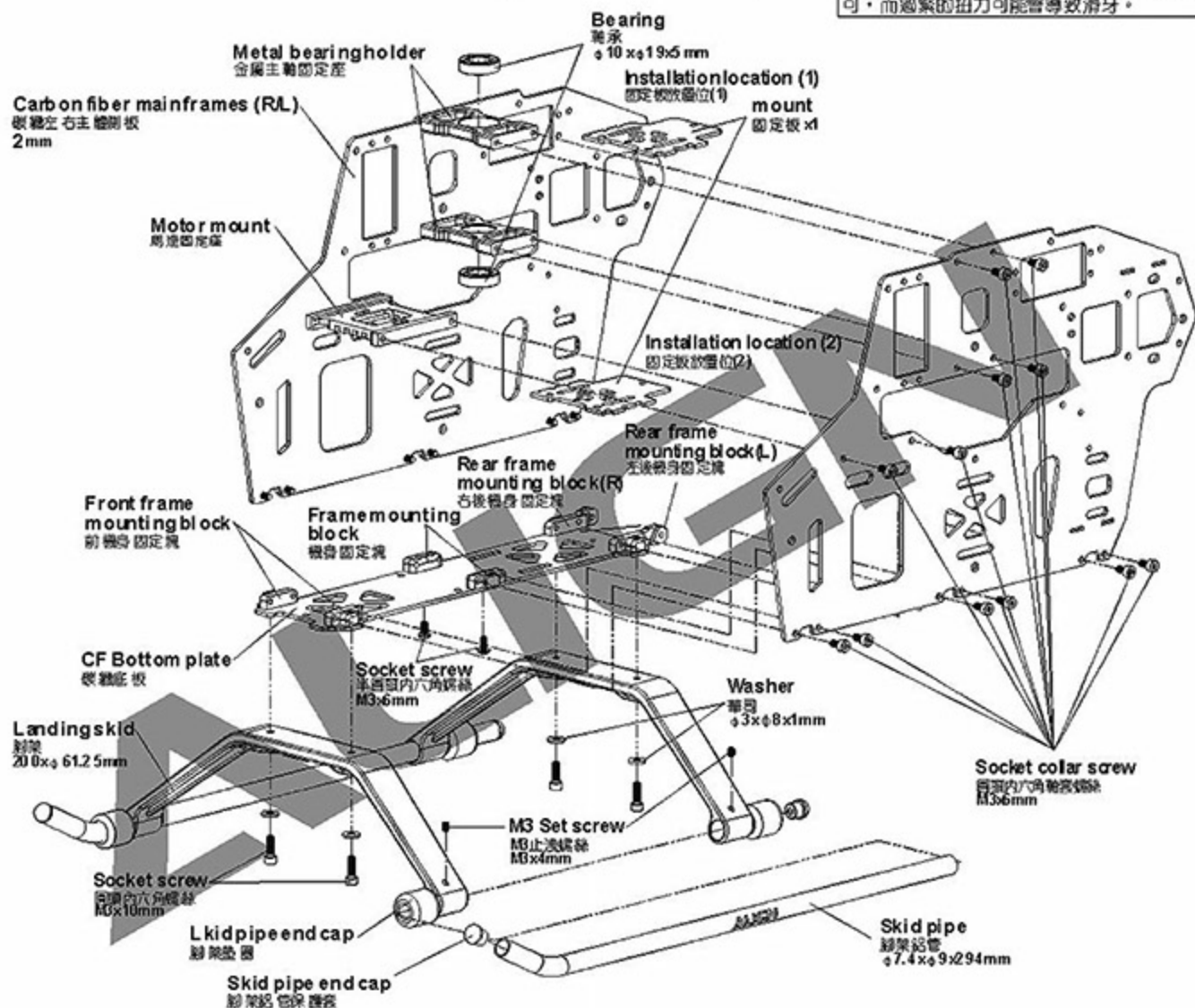
Washer
華司(φ3xφ8x1mm) x4

Apply a little amount of T43 thread lock when fixing a metal part.
螺絲鎖固於金屬件請使用樂電T43(螺絲膠)



Already assembled by Factory.
Before flying, please check if the screws are fixed with glue.
原裝組裝完成品，每一次飛行前請先確認螺絲是否已上膠不會鬆動。

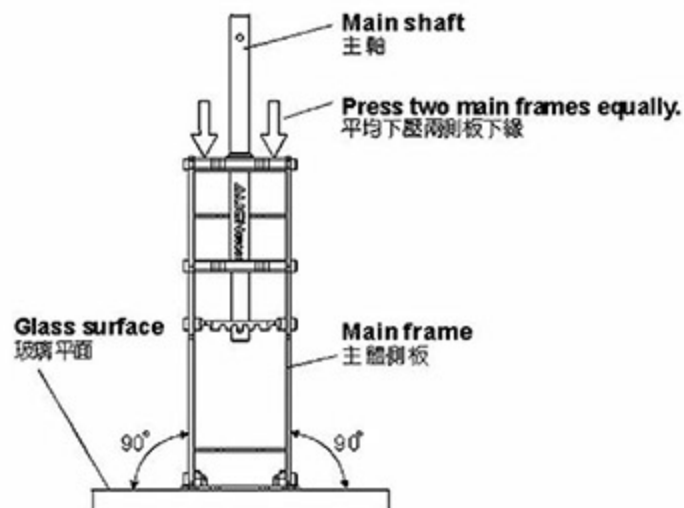
When tightening a screw to a plastic part, please tighten it firmly, but not over tightened, or they will strip.
螺絲鎖入塑膠件請務必注意，適當扭力鎖緊即可，而過緊的扭力可能會導致滑牙。



Main frame assembly point:

First do not fully tighten the screws of main frames. Put the main shaft through the two bearings and check if the movements (up/down) are smooth. The bottom bracket must be firmly touched the level table top (glass surface); please keep the smooth movements on main shaft and level bottom bracket, then slowly tighten the screws. A correct assembly can help for the power and flight performance.

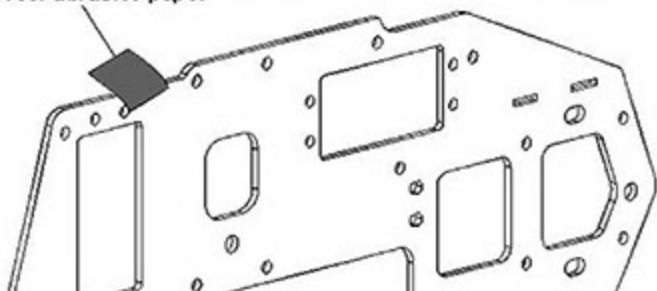
機身側板組立重點：
側板螺絲先不完全鎖緊，放入主軸貫穿二顆軸承確認上下移動必須滑順，主體底板必須與水平桌面（玻璃平面）踏實緊貼；請保持主軸滑順與底板平行桌面後慢慢鎖緊螺絲。正確側板的組裝對動力與飛行性能有顯著幫助。



Recommend sanding the marked position with a waterproof abrasive paper (#800~1000) as below illustration to avoid the wires of electric parts to be cut.

建議於下圖色塊標示處，可使用#800~1000水砂紙打磨，可防止電子設備電線被割破。

Waterproof abrasive paper
水砂紙



Apply a little amount of T43 thread lock when fixing a metal part.
螺絲鎖附於金屬件請使用適量T43(螺絲膠)

CAUTION
注意

Already assembled by Factory.
Before flying, please check if the screws are fixed with glue.
原裝組裝完成品，每一次飛行前請先確認螺絲是否已上膠不會鬆動。

When tightening a screw to a plastic part, please tighten it firmly, but not over tightened, or they will strip.
螺絲鎖入塑膠件請務必注意，適當扭力鎖緊即可，而過緊的扭力可能會導致滑牙。

55HZ7

55HB2B

Linkage ball A (M2x3.5)
球頭A (M2x3.5) (φ4.75x8.18mm) x2

Linkage ball B (M2x3.5)
球頭B (M2x3.5) (φ4.75x12.18mm) x2

Socket button head self tapping screw
半圓頭內六角自攻螺絲 (T2.6x14mm) x12

M2 Nut
M2螺帽 x4

Socket button headscrew
半圓頭內六角螺絲 (M2.5x12mm) x4

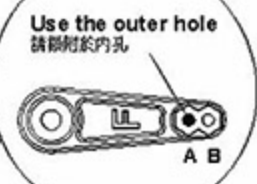
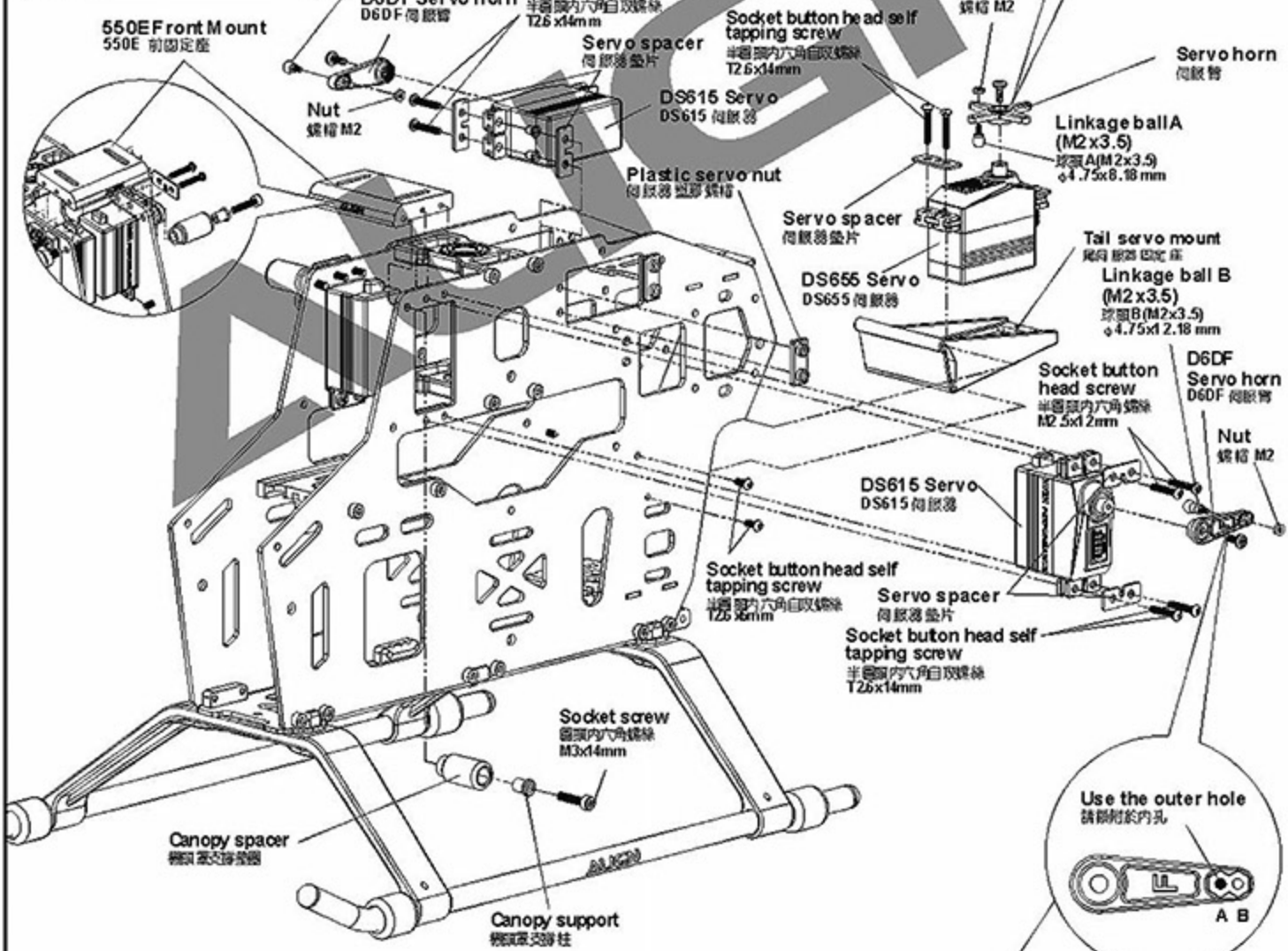
Linkage ball A (M2x3.5)
球頭A (M2x3.5)
φ4.75x8.18mm

Socket button head self tapping screw
半圓頭內六角自攻螺絲 (T2.6x6mm) x2

Socket screw
圓頭內六角螺絲 (M3x14mm) x2



Fasten on the third hole with 13mm span
鎖於第三孔，跨距為16.5mm



3GX Flybarless system uses inner hole (A)
Flybar system uses outer hole (B)
3GX無平衡翼系統使用內孔(A)
有平衡翼系統使用外孔(B)

CAUTION
注意

50HT013

Socket button head self tapping screw
半圓頭內六角自攻螺絲 (T2x8mm) x 2



Bearing
軸承 (φ4xφ9x4mm) x 2



Bearing
軸承 (φ12xφ18x4mm) x 2



Socket button head self tapping screw
半圓頭內六角自攻螺絲 (T2x8mm)

Bearing
軸承
φ4xφ9x4mm

Front drive gear assembly
尾傳動齒輪組 34T

Front umbrella gear
前傘齒輪型號
φ21.2xφ3.6mm

Bearing
軸承
φ12xφ18x4mm

Tail boom mount (R)
尾管固定座 (右)

Hexagonal bolt
六角螺絲

Umbrella gear case (R)
傘齒輪固定座
φ15.5xφ19x52.5mm

Umbrella gear case (L)
傘齒輪固定座
φ15.5xφ19x52.5mm

Tail boom mount (L)
尾管固定座 (左)

Apply a little amount of T43 thread lock when fixing a metal part.
螺絲鎖固於金屬件請使用適量T43(螺絲膠)

CAUTION
注意

Already assembled by Factory. Before flying, please check if the screws are fixed with glue.
膠漿組裝完成品，每一次飛行前請先確認螺絲是否已上膠不會鬆動。

When tightening a screw to a plastic part, please tighten it firmly, but not over tightened, or they will strip.
螺絲鎖入塑膠件請務必注意，適當扭力鎖緊即可，而過緊的扭力可能會導致滑牙。

CAUTION
注意

Already assembled by Factory. Before flying, please check again if screws are firmly secured and applied with some glue.
膠漿組裝完成品，飛行前請再確認各螺絲是否鎖緊上膠。

60HT6

Socket screw
圓頭內六角螺絲 (M3x20mm) x 1

Bearing
軸承 (φ12xφ18x4mm) x 2

Bearing
軸承 (φ5xφ10x4mm) x 2

Socket screw
圓頭內六角螺絲 (M3x6mm) x 4

Tail umbrella gear
尾傘齒輪混裝 φ12.4x18x10mm x 1

Metal tail unit
金屬尾輪傳固定座
φ18xφ27x53mm

Bearing
軸承
φ12xφ18x4mm

Metal plate (R)
金屬尾輪傳座右側板
40.3x25x22.8mm

Collar
軸傳齒輪襯套
φ12.4xφ18x10mm

Tail rotor shaft assembly
尾傳尾輪軸組

Socket screw
圓頭內六角螺絲
M3x6mm

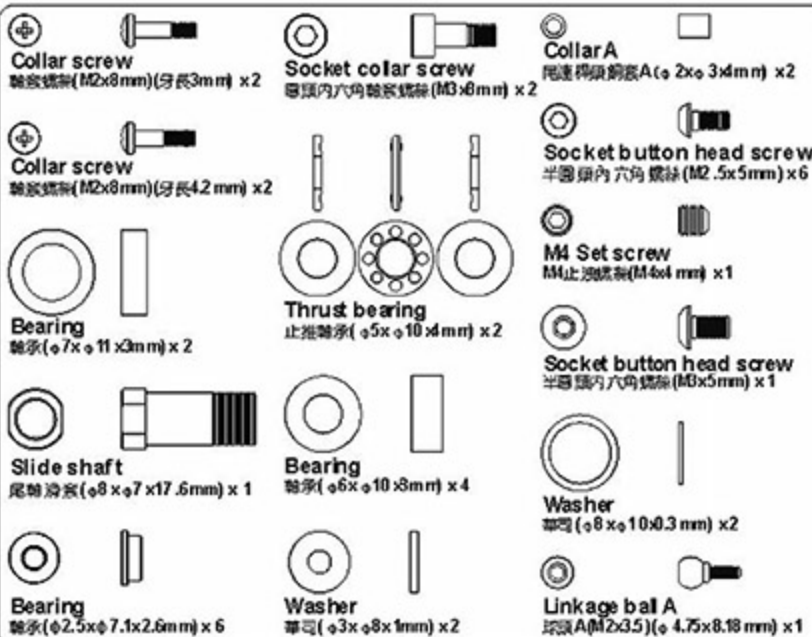
Socket screw
圓頭內六角螺絲
M3x6mm

Socket screw
圓頭內六角螺絲
M3x20mm

Metal plate (L)
金屬尾輪傳座左側板
40.3x14.5mm

Bearing
軸承
φ5xφ10x4mm

60HT6



55HT8



Please tighten M2x8mm collar screw firmly but not over tightened, please use suitable amount of T43 on the thread. Over tighten the screw will cause the operation of control link unsmoothly.

鎖附M2x8mm軸套螺絲請使用適量力道，並使用適量T43螺絲膠固定，過度鎖緊會造成尾控制連桿轉動不順。



Apply grease on thrust bearing.

止推軸承上塗油

(OUT) 5 smaller ID 內徑較小
(IN) larger ID 內徑較大

Thrust bearing 止推軸承
Tail rotor holder 尾旋翼夾座



While assembly the slide shaft, please use suitable amount of T43 on the thread. Please do not use R48 anaerobics retainer or other high strength glue to avoid damages while maintenance or repairs.

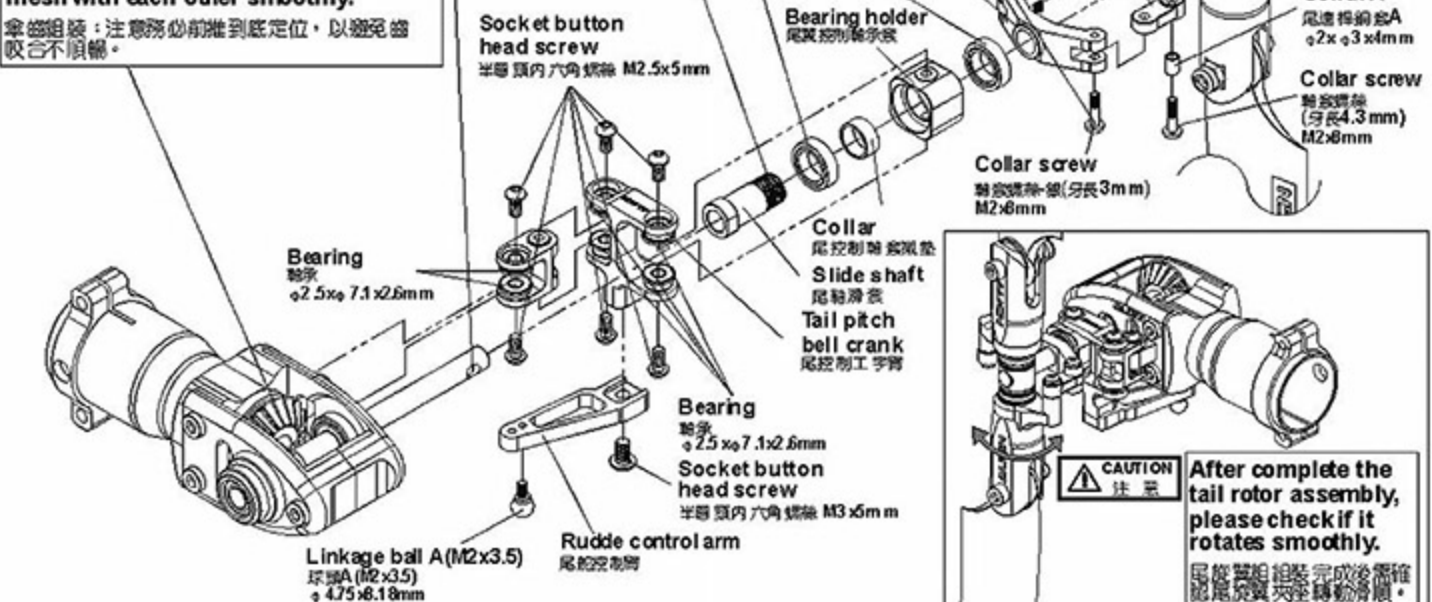
組立尾輪滑套時，請使用適量的T43螺絲膠在螺絲上，嚴禁使用R48高膠合性軸承膠防止膠合過緊，以免日後拆修維護零件之損傷。

Aim tail rotor hub at the concave of tail rotor shaft and fix it, please apply a little glue on the set screw.

尾旋翼T型座座準尾旋軸的凹刻並鎖上，請確認止鎖螺絲上膠。

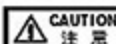
Assembling Umbrella Gear: Please note to push the gear to the end at a fixed position, to make sure the gears mesh with each other smoothly.

傘齒組裝：注意務必前推到底定位，以避免齒咬合不順暢。



Apply a little amount of T43 thread lock when fixing a metal part.

螺絲鎖附於金屬件請使用適量T43(螺絲膠)

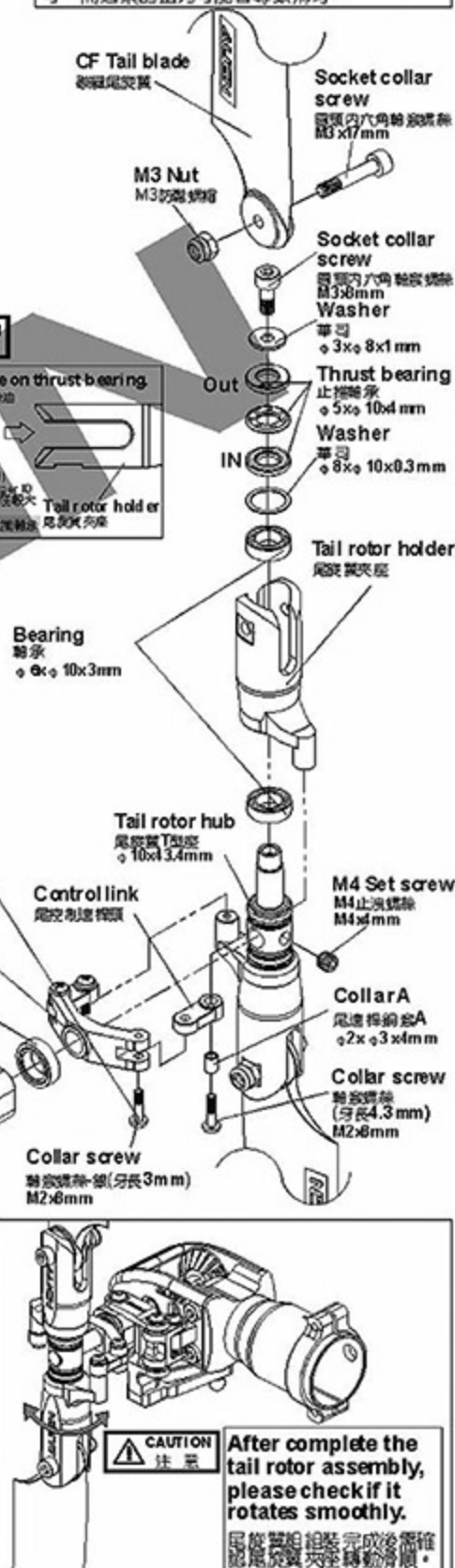


Already assembled by Factory. Before flying, please check if the screws are fixed with glue.

原裝組裝完成品，每一次飛行前請先確認螺絲是否已上膠不會鬆動。

When tightening a screw to a plastic part, please tighten it firmly, but not over tightened, or they will strip.

螺絲鎖入塑膠件請務必注意，適當扭力鎖緊即可，而過緊的扭力可能會導致滑牙。



After complete the tail rotor assembly, please check if it rotates smoothly.

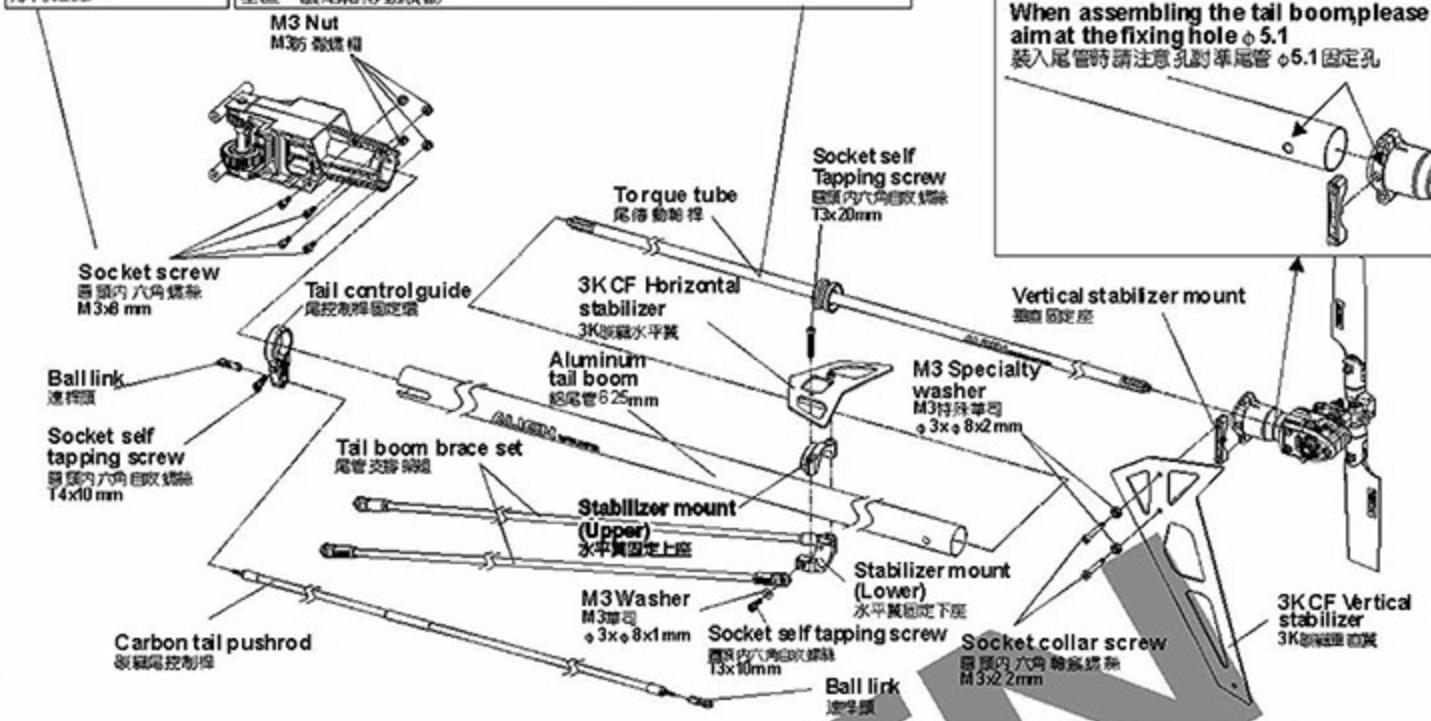
尾旋翼組裝完成後需確認尾旋翼夾座夾緊轉動滑順。

Already assembled by factory, please note to check again.
已組裝完成，請務必自行再確認。

When assembling into the tail boom, please apply some oil on the surface, to make it smooth during the assembling and keep it vertical with the torque tube for smooth rotation.
插入尾管內時，外表抹些潤滑油，以確保平順壓入尾管中並與尾傳動軸保持垂直，讓尾輪傳動順暢。

Apply a little amount of T43 thread lock when fixing a metal part.
螺絲鎖附於金屬件請使用適量T43(螺絲膠)

When assembling the tail boom please aim at the fixing hole $\phi 5.1$
裝入尾管時請注意孔對準尾管 $\phi 5.1$ 固定孔



CAUTION
注意

Skewed Torque tube bearing holder will interfere with torque tube rotation and cause unusual vibration.
尾傳動軸承安裝歪斜會造成傳動軸轉動不順及尾部異常震動等問題

CAUTION
注意

Already assembled by Factory. Before flying, please check if the screws are fixed with glue.
原裝組裝完成品，每一次飛行前請先確認螺絲是否已上膠不致鬆動。

When tightening a screw to a plastic part, please tighten it firmly, but not over tightened, or they will strip.
螺絲鎖入塑膠件請務必注意，適當扭力鎖緊即可，而過緊的扭力可能會導致滑牙。

60FLT2



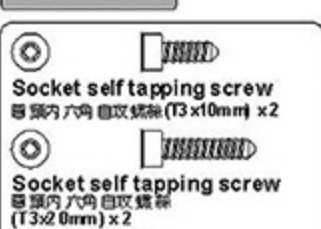
60HT6



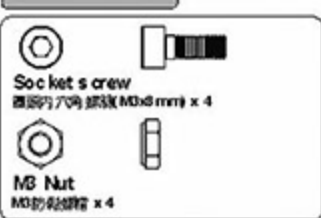
55FLT2A



55HT3A



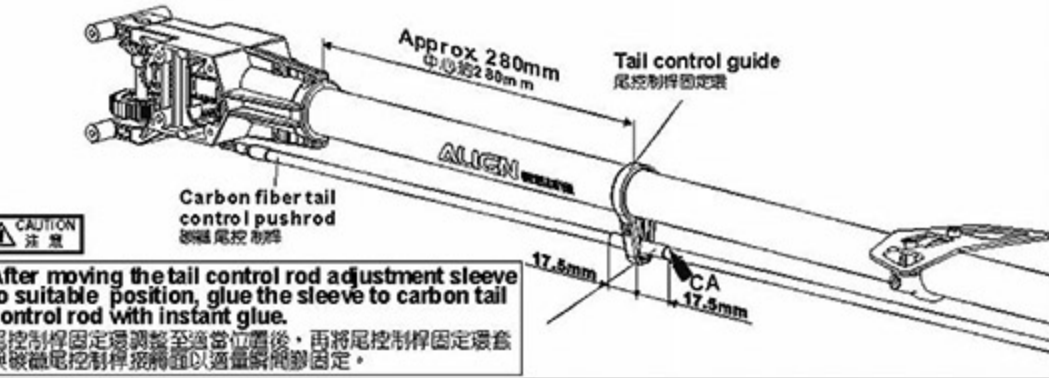
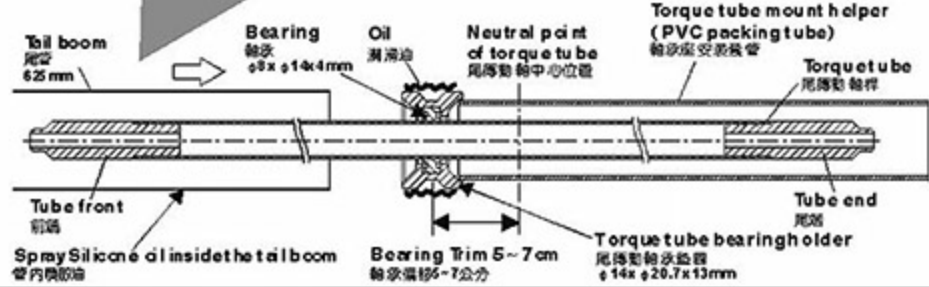
55HT4A



TIP TO FIX THE TORQUE TUBE 傳動軸軸承固定位置要領

Please apply some CA glue to fix bearing on the torque tube, avoid CA glue from the dust or may cause the bearing stuck. When assembling into the tail boom, please apply some oil and use the attached torque tube mount helper to press the bearing holder of the torque tube into the tail boom horizontally.

請以少量CA將軸承固定於尾傳動軸上，避免CA沾到軸承的防護蓋而導致軸承卡死，插入尾管內時，尾傳動軸承塗層外表抹些潤滑油，利用隨附的軸承安裝套管將尾傳動軸承套圓平行壓入尾管中不可歪斜。



CAUTION
注意

After moving the tail control rod adjustment sleeve to suitable position, glue the sleeve to carbon tail control rod with instant glue.
尾控制桿固定環調整至適當位置後，再將尾控制桿固定環套與碳纖維尾控制桿桿面以適量瞬間膠固定。

55HT4A

Socket screw
圓頭內六角螺絲(M3x10mm) x 12

55HT013

Socket button head screw
半圓頭內六角螺絲(M3x6mm) x 1

55HB2B

Socket screw
圓頭內六角螺絲(M3x10mm) x 2



Washer
華司(φ3xφ8x1mm)x2

Apply a little amount of T43 thread lock when fixing a metal part.
螺絲鎖附於金屬件請使用適量T43(螺絲膠)



Already assembled by Factory. Before flying, please check if the screws are fixed with glue.

螺絲鎖膠完成品，每一次飛行前請先確認螺絲是否已上膠不會鬆動。

When tightening a screw to a plastic part, please tighten it firmly, but not over tightened, or they will strip.

螺絲鎖入塑膠件請務必注意，適當扭力鎖緊即可，而過緊的扭力可能會導致滑牙。

DS616 Digital Servo :

1. 1520μs standard band / 1520μs 寬頻系統
2. Stall torque / 輸出扭力 : 10.4kg.cm (4.8V)
12.8kg.cm (6.0V)
3. Motion speed / 動作速度 : 0.09sec/60° (4.8V)
0.07sec/60° (6.0V)
4. Dimension / 尺寸 : 40.1 x 20.1 x 37.3mm
5. Weight / 重量 : 56g

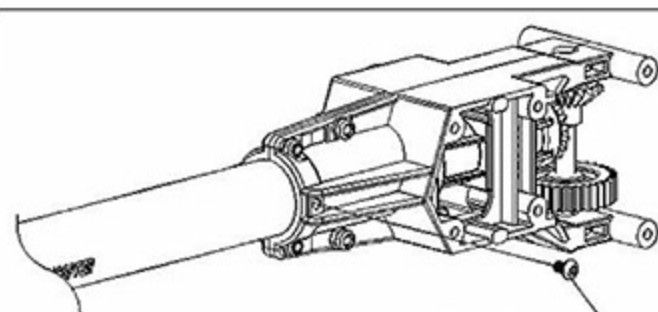
DS655 Digital Servo :

1. 1520μs standard band / 1520μs 寬頻系統
2. Stall torque / 輸出扭力 : 4.0kg.cm (4.8V)
6.5kg.cm (6.0V)
3. Motion speed / 動作速度 : 0.06sec/60° (4.8V)
0.05sec/60° (6.0V)
4. Dimension / 尺寸 : 40.1 x 20.1 x 37.3mm
5. Weight / 重量 : 56g

Socket screw
圓頭內六角螺絲
M3x10mm

Socket screw
圓頭內六角螺絲
M3x10mm

Washer
華司
φ3xφ8x1mm



Socket button head screw
半圓頭內六角螺絲
M3x6mm

Tail boom fixing screw
尾管固定螺絲

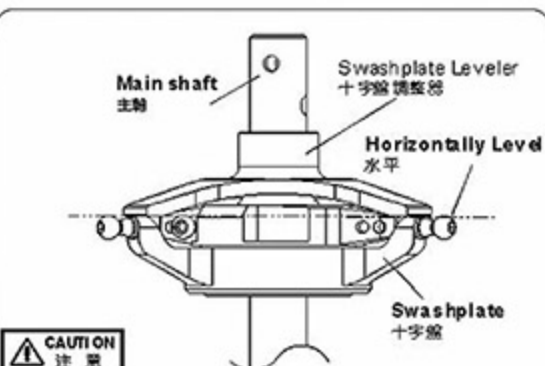
55HB2A**60HB6****60FLZ3****55HB2B**

Apply a little amount of T43 thread lock when fixing a metal part.
螺絲鎖固於金屬件請使用樂電T43(螺絲膠)



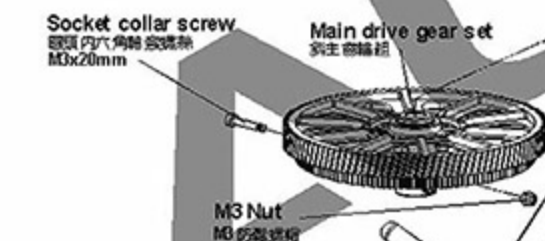
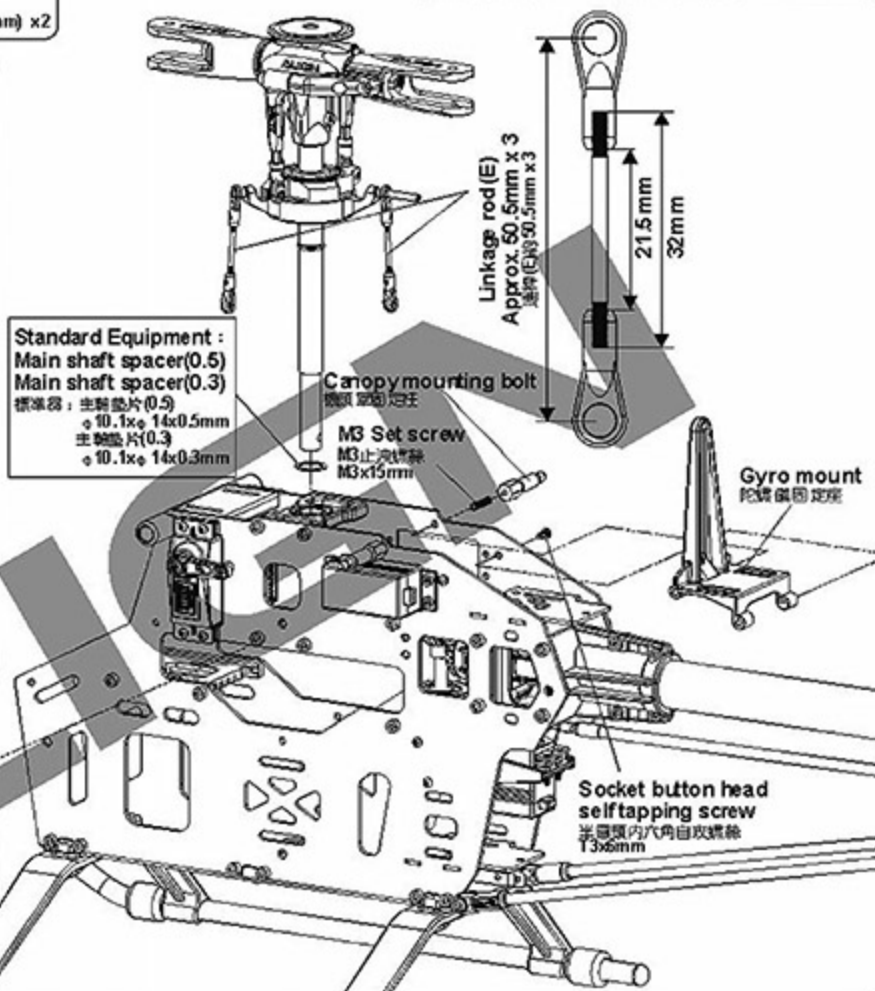
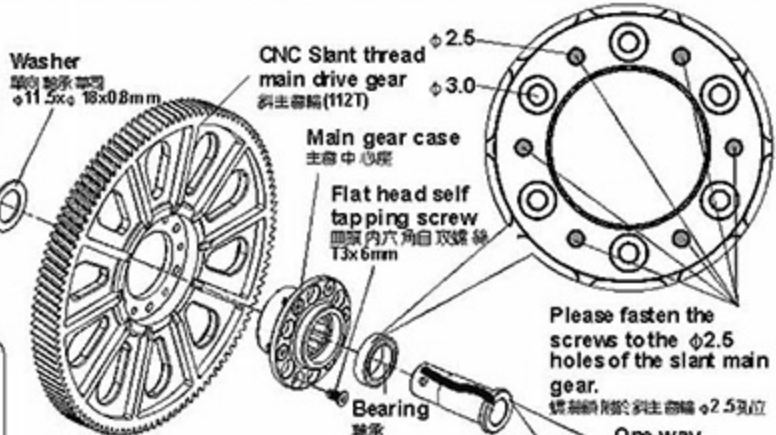
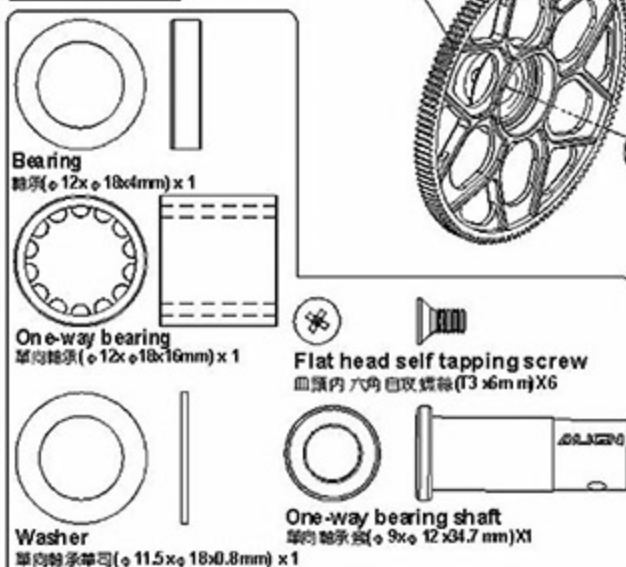
Already assembled by Factory.
Before flying, please check if the screws are fixed with glue.
原裝組裝完成品，每一次飛行前請先確認螺絲是否已上膠不會鬆動。

When tightening a screw to a plastic part, please tighten it firmly, but not over tightened, or they will strip.
螺絲鎖入塑膠件請務必注意，適當扭力鎖緊即可，而過緊的扭力可能會導致滑牙。



Before setting up the 3GX FBL system, please use a swashplate leveler to level out the swashplate. Adjust the length of servo linkage rod to make sure the swashplate is leveled before start setting up 3GX to ensure 3GX provides the best performance.

使用3GX無平衡系統，請務必使用十字盤調整器校正十字盤，調整伺服器連桿長度，確保十字盤達到水平狀態，再進行3GX基本機體設定，這樣才能確保3GX飛行性能達到最佳效果。

**60HB6**

Before tightening the screw, please rotate the bearing and check the concentricity of the bearing in order to have the screw firmly secured, to avoid the bearing stuck or heavy load at one side and cause slip.
上緊螺絲前請先旋轉確認軸承同心度良好後，才能將螺絲鎖緊，以避免造成卡死或單向負載可能產生的打滑。

Please fasten the screws to the $\phi 2.5$ holes of the slant main gear.
螺絲鎖緊於斜主齒輪 $\phi 2.5$ 孔位

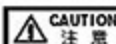
CAUTION
注意

Apply grease
塗上潤滑膏



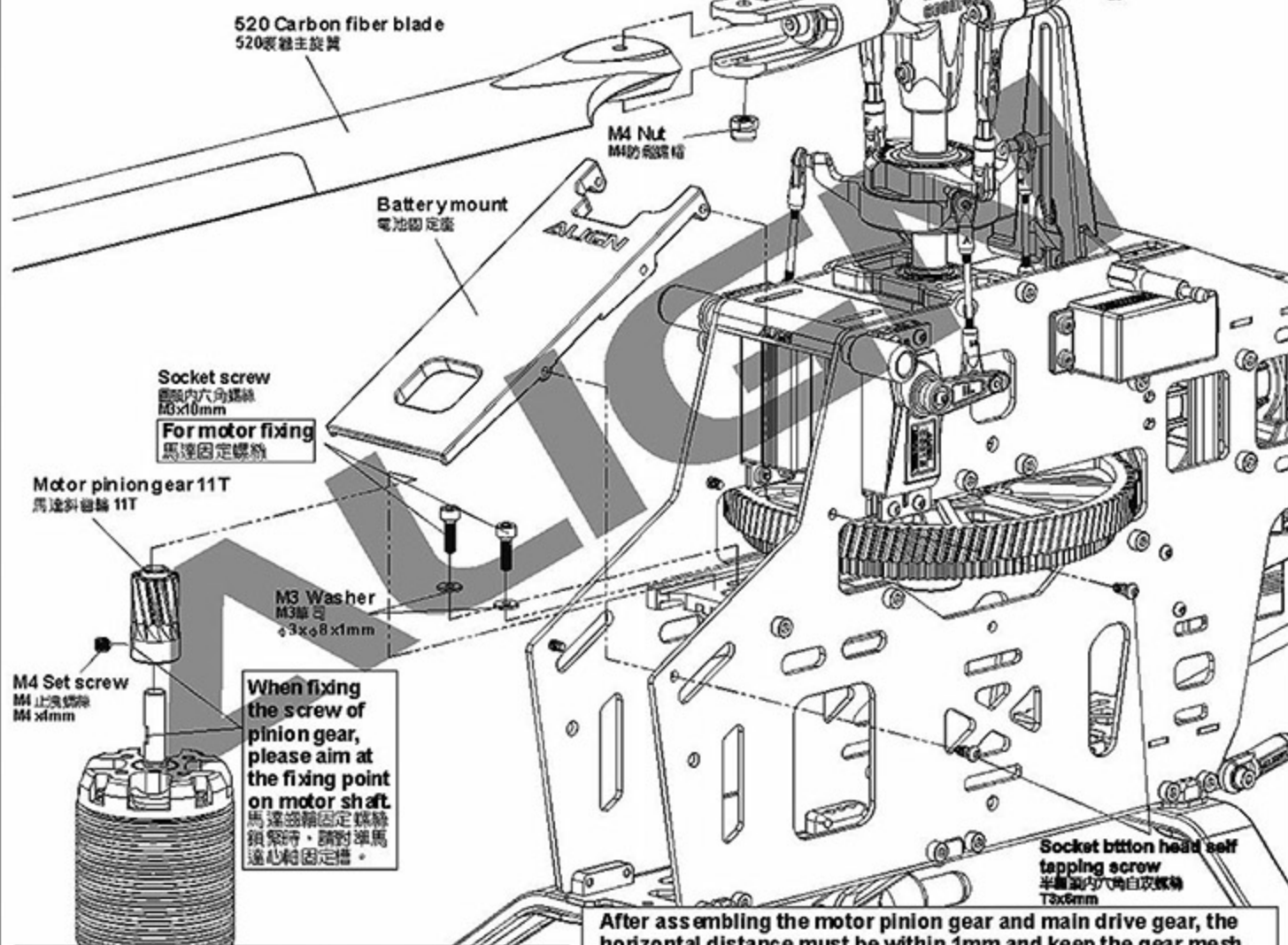
60FLH4A**55HB2B****55HZ6**

Apply a little amount of T43 thread lock when fixing a metal part.
螺絲鎖於金屬件請使用適量 T43(螺絲膠)



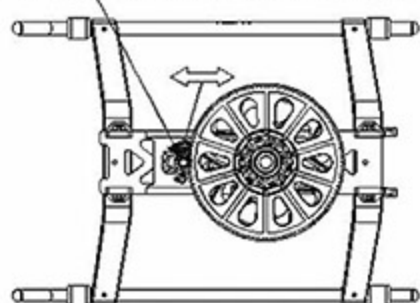
Already assembled by Factory.
Before flying, please check if the screws are fixed with glue.
原裝組裝完成品，每一次飛行前請先確認螺絲是否已上膠不會鬆動。

When tightening a screw to a plastic part, please tighten it firmly, but not over tightened, or they will strip.
螺絲鎖入塑膠件請務必注意，適當扭力鎖緊即可，而過緊的扭力可能會導致滑牙。



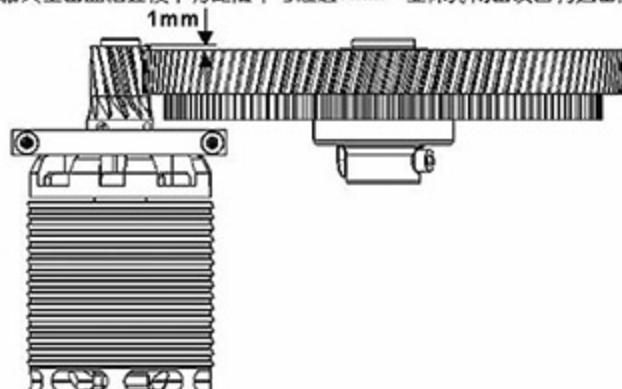
Set the motor pinion gear to main drive gear mesh to approximately 0.1mm to avoid excess power consumption or motor burnt due to overload.

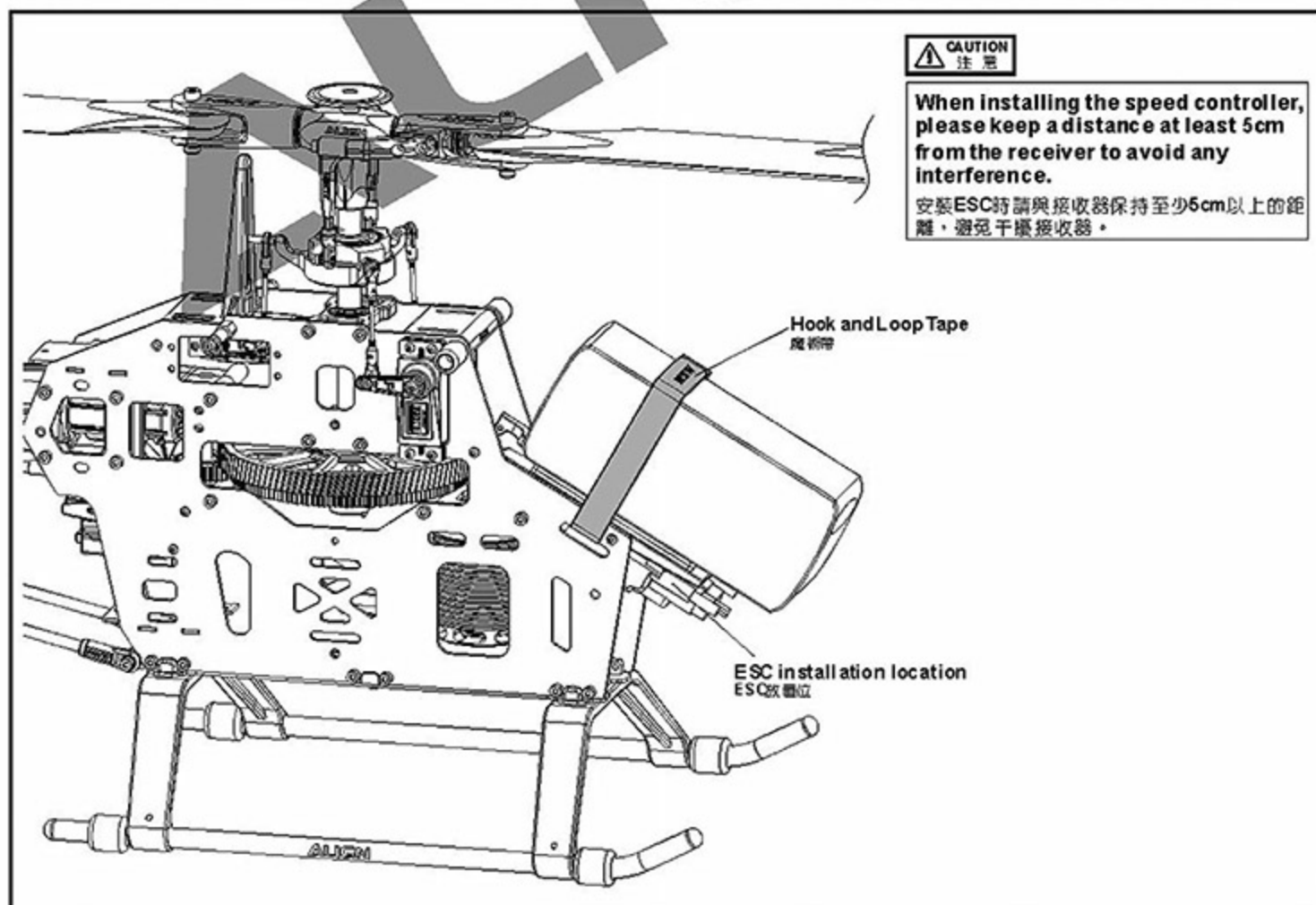
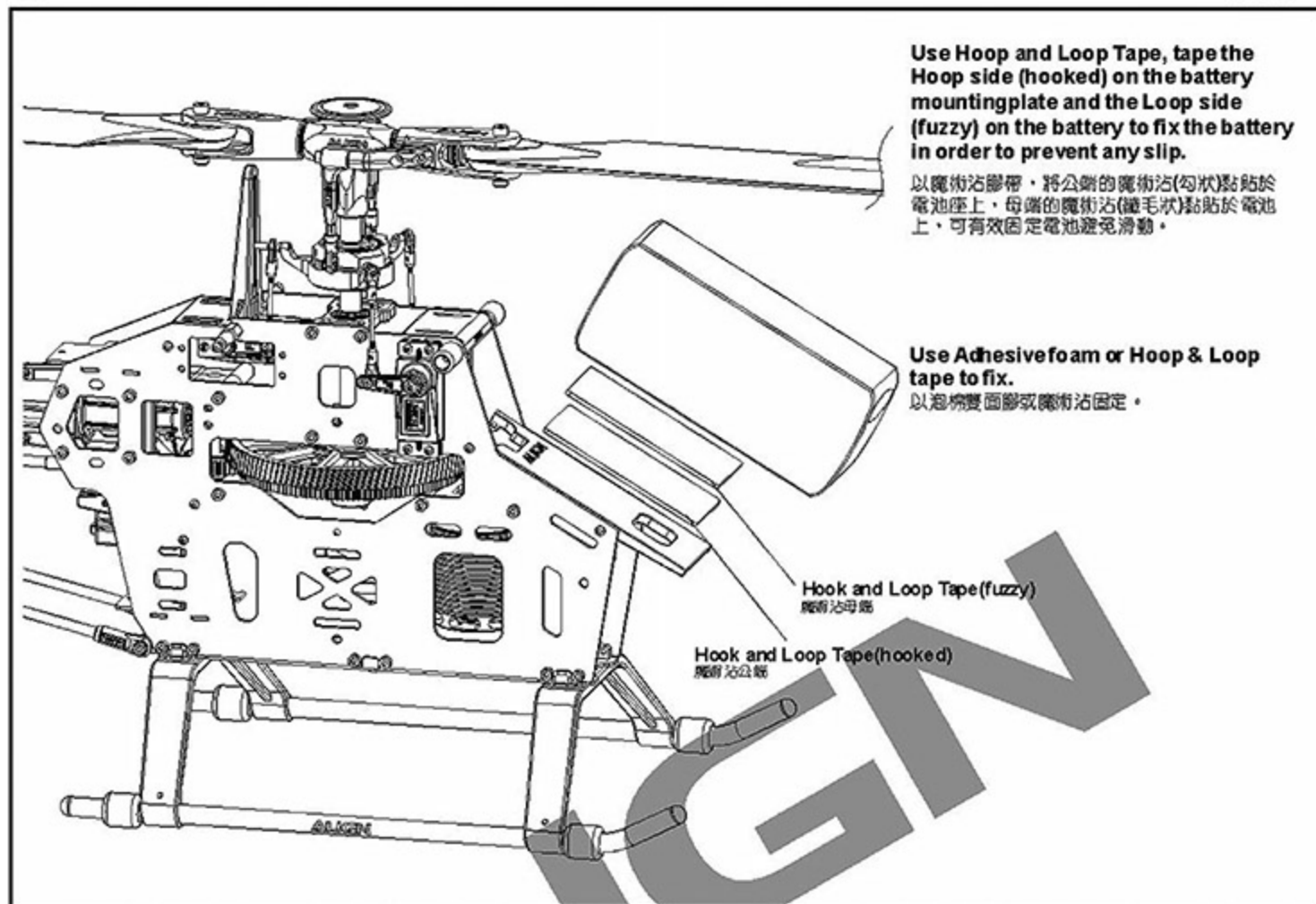
馬達齒輪後可移動以維持兩齒輪咬合處約有0.1mm間隙，過緊齒輪咬合將造成動力損失或馬達過熱的過載，嚴重可能導致馬達燒毀。

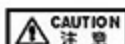


After assembling the motor pinion gear and main drive gear, the horizontal distance must be within 1mm and keep the gear mesh at a proper distance.

馬達齒輪與主齒輪相立後平行距離不可超過1mm，並保持兩齒輪咬合有適當間距。







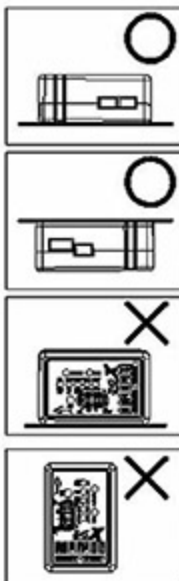
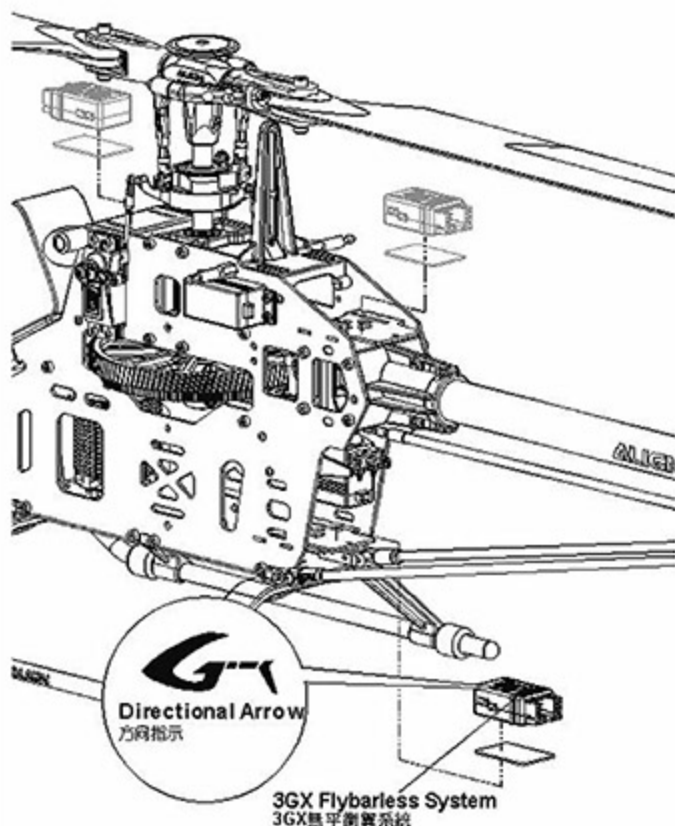
CAUTION
注意

1. Consult the following diagram for 3GX installation direction, with arrow pointing toward nose or tail of helicopter. 3GX needs to be mounted flat on gyro mounting platform, away from vibration sources.
 2. Two pieces of foam mounting tape can be used if helicopter experiences vibration induced flight instability. However, if this still doesn't cure the problem, please check the helicopter mechanics and minimize mechanical vibrations, or reduce the headspeed.
 3. Please secure with genuine factory issued double sided anti-vibration mounting tape.
- ※ If 3GX was to be mounted inverted, please enter correct anti-torque compensation section and set it as "reverse" (STATUS LED turns red); to avoid the effect of the performance of gyro lock.

1. 3GX擺放方向請參照圖示，方向指示箭頭指向機頭或機尾，水平擺放於陀螺儀固定座，並避開震動源。
 2. 機體震動會影響陀螺儀傾側，造成飛行不穩定，可於3GX下方貼附2片泡棉減震，若仍未改善，請檢查機體排除震動或降低主旋翼轉速。
 3. 請使用原廠提供雙面膠棉雙面膠固定。
- ※ 選擇3GX面板朝下的安裝方式時，請進入設定選項中的反扭力補償設定，並將反扭力補償設為"反向"(STATUS燈為紅燈)，以免影響陀螺儀鎖定效果。

*** Anti-torque compensation
反扭力補償

3



9. CANOPY ASSEMBLY 機頭罩安裝

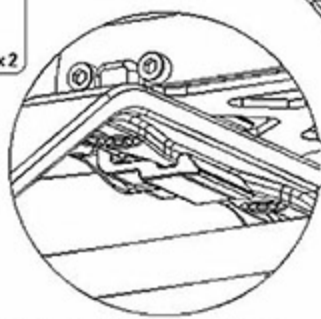
Canopy
機頭罩



55HZ1

Socket button head self tapping screw
半圓頭內六角自攻螺絲 (T3 x 6mm) x 2

半圓頭內六角自攻螺絲 (T3 x 6mm) x 2



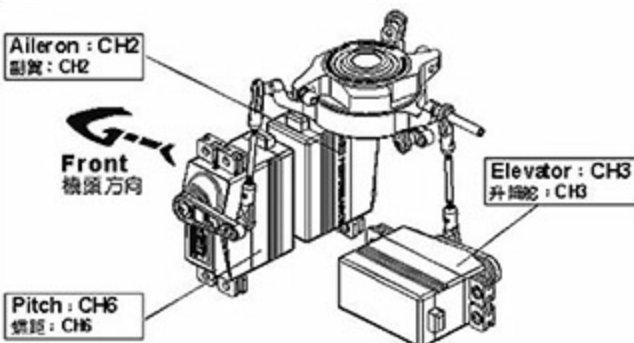
Socket button head self tapping screw
半圓頭內六角自攻螺絲
T3x6mm

When assembling the canopy to the unit, please completely wedge into the groove of the bottom plate.
機頭罩組裝於機體時，請完全卡入主體底板的溝槽內。

To set this option is to turn on the transmitter and connect to helicopter power. Note: For the safety, please do not connect ESC to the brushless motor before the setting in order to prevent any accident caused by the motor running during the setting.

此項設定只要開啓發射器，接上直昇機電源即可進行操作。注意：為了安全起見，設定前請先不要將無刷調速器與無刷馬達三條線接上，以免調整時啓動馬達而發生危險。

JR TRANSMITTER/SERVO JR 遙控器對應伺服器關係

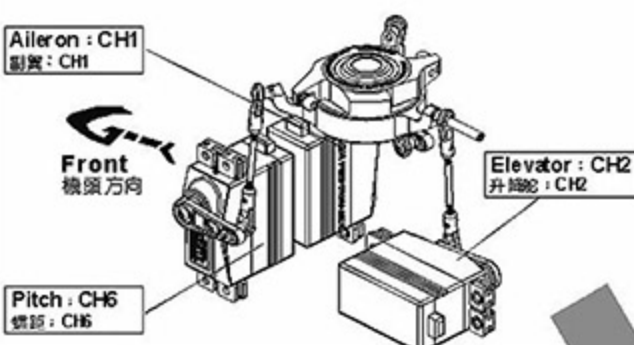


Positions of CH2, CH6 are not exchangeable. After assembling as photo (Note: Set the transmitter under CCPM 120 degrees mode), pull throttle stick (pitch) upward. If one swashplate servo (or two servos) moves downward, adjust reverse switch (REV) on the transmitter to make it moves upward. If three servo move downward, adjust the travel value (+) of SWASH PIT on the transmitter to make them move upward.

When the actions of Aileron and Elevator are opposite, adjust travel values of SWASH AIT and ELE.

CH2、CH6不可互換配置，依圖連結後(注意：遙控器須設定於CCPM 120°十字盤模式)，將油門搖桿(Pitch)往上推，若十字盤伺服器有1個或2個往下移時，請調整遙控器的反轉開關(REV)使伺服器往上，若3個伺服器同時往下移時，請調整遙控器 SWASH PIT 行程量的正負值，使伺服器同時往上平移，副翼與前後動作相反時，同樣調整 SWASH AIT、ELE 行程量正負值。

FUTABA/HITEC TRANSMITTER/SERVO FUTABA/HITEC 遙控器對應伺服器關係



Positions of CH1, CH6 are not exchangeable. After assembling as photo (Note: Set the transmitter under CCPM 120 degrees mode), pull throttle stick (pitch) upward. If one swashplate servo (or two servos) moves downward, adjust reverse switch (REV) on the transmitter to make it moves upward. If three servo move downward, adjust the travel value (+) of SWASH PIT on the transmitter to make them move upward. When the actions of Aileron and Elevator are opposite, adjust travel values of SWASH AIT and ELE.

CH1、CH6不可互換配置，依圖連結後(注意：遙控器須設定於CCPM 120°十字盤模式)，將油門搖桿(Pitch)往上推，若十字盤伺服器有1個或2個往下移時，請調整遙控器的反轉開關(REV)使伺服器往上，若3個伺服器同時往下移時，請調整遙控器 SWASH PIT 行程量的正負值，使伺服器同時往上平移，副翼與前後動作相反時，同樣調整 SWASH AIT、ELE 行程量正負值。

12. ADJUSTMENTS FOR GYRO AND TAIL NEUTRAL SETTING 陀螺儀與尾翼中立點設定調整

Turn off Revolution mixing (RVMX) mode on the transmitter, then set the gain switch on the transmitter and the gyro to Head lock mode. The gain setting is about 70%, and after transmitter setting, connect to BEC power to work on tail neutral setting.

Note: When turn on BEC power, please do not touch tail rudder stick and the helicopter. Then wait for 3 seconds, make tail servo arm and tail servo at a right angle (90 degrees), tail pitch assembly must be correctly fixed about in the middle of the travel of tail rotor shaft for standard neutral setting.

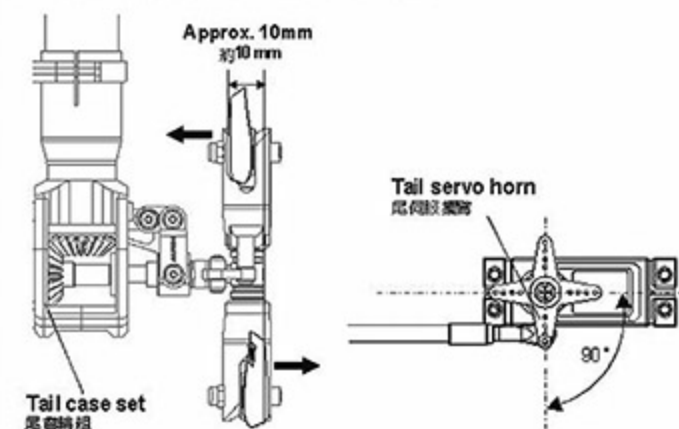
發射器內陀螺儀設定關閉旋轉混控模式，並將發射器上的感度開關與陀螺儀切至鎖定模式，感度設約 70% 左右，發射器設定完成後接上 BEC 換收電源，即可進行尾中立點設定。

注意：當啓動 BEC 電源時請勿碰動尾舵搖桿或碰觸機體，待 3 秒陀螺儀鎖定後尾伺服臂需與尾伺服器成 90°，尾旋翼控制組須正確置於尾橫軸行程約中間位置，即為標準尾中立點設定。

TAIL NEUTRAL SETTING 尾中立點設定

After setting Head Lock mode, correct setting position of tail servo and tail pitch assembly as photo. If the tail pitch assembly is not at the neutral position, please adjust the length of rudder control rod to trim.

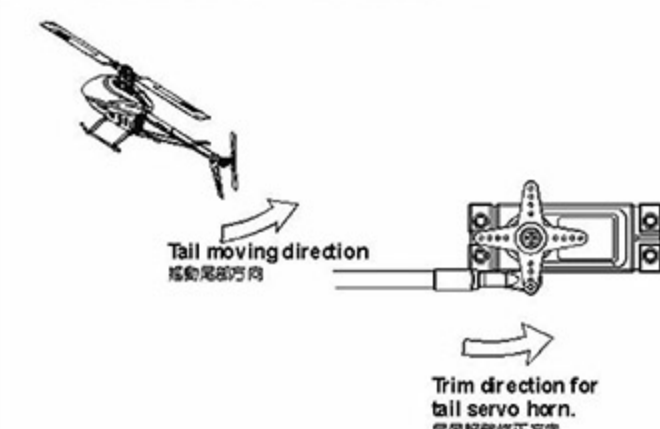
陀螺儀鎖定後尾伺服器與尾 Pitch 控制組正確置於位置。若尾 Pitch 控制組未置中時請調整尾控制連桿的長度來修正。



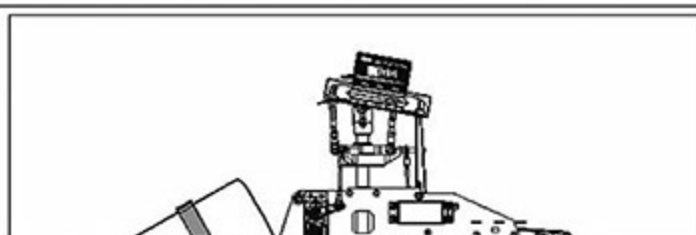
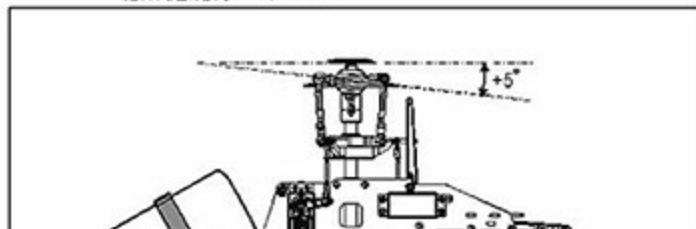
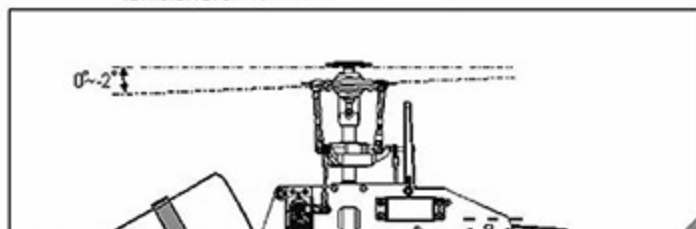
HEAD LOCK DIRECTION SETTING OF GYRO 陀螺儀鎖定方向設定

To check the head lock direction of gyro is to move the tail counterclockwise and the tail servo horn will be trimmed clockwise. If it trims in the reverse direction, please switch the gyro to "REVERSE".

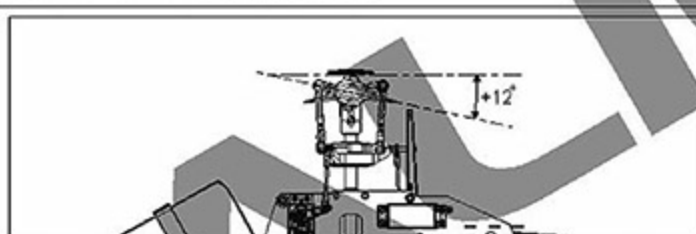
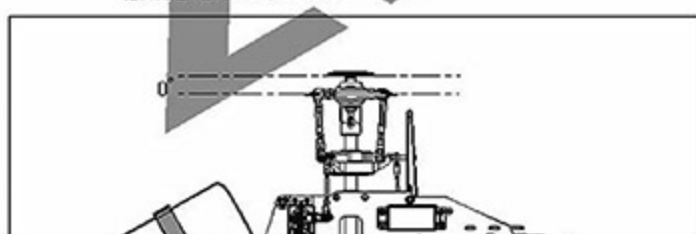
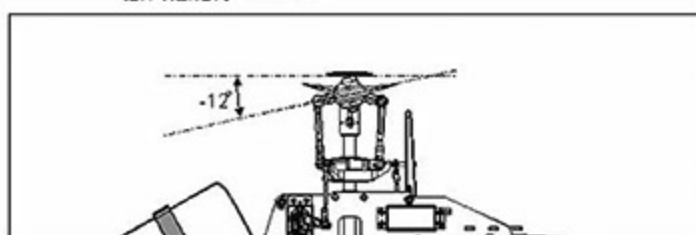
陀螺儀鎖定方向確認，當手搖尾部逆時鐘擺動，尾伺服臂逆時鐘修正，反向時請切換陀螺儀上「鎖定反向」開關修正。



GENERAL FLIGHT 一般飛行模式

Stick position at high/Throttle 100%/Pitch +10°
搖桿高速/油門100%/Pitch+10°Stick position at Hovering/Throttle 60%/Pitch +5°
搖桿停懸/油門60%/Pitch+5°Stick position at low/Throttle 0%/Pitch 0~-2°
搖桿低速/油門0%/Pitch 0~-2°

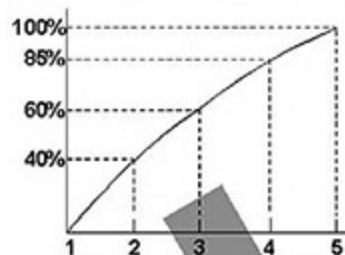
3D FLIGHT 3D特技飛行模式

Stick position at high/Throttle 100%/Pitch +12°
搖桿高速/油門100%/Pitch+12°Stick position at middle/Throttle 90%/Pitch 0°
搖桿中速/油門90%/Pitch 0°Stick position at low/Throttle 100%/Pitch -12°
搖桿低速/油門100%/Pitch-12°CAUTION
注意

- 1 Pitch range: Approx. ± 15 degrees.
 - 2 If the pitch is set too high, it will result in shorter flight duration and poor motor performance.
 - 3 Setting the throttle to provide a higher speed is preferable to increasing the pitch too high.
- 1 螺距(Pitch)總行程約 $\pm 15^\circ$
 - 2 過大螺距設定，會導致動力與飛行時間降低。
 - 3 動力提升以較高轉速的設定方式，優於螺距過大的設定。

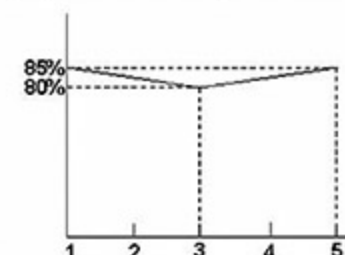
GENERAL FLIGHT
一般飛行模式

	Throttle 油門	Pitch 螺距
5	100% High speed 100% 高速	+10°
4	85%	
3	60% Hovering 60% 停懸	+5°
2	40%	
1	0% Low speed 0% 低速	0° ~ -2°

Throttle Curve (Hovering Flight)
停懸模式油門曲線

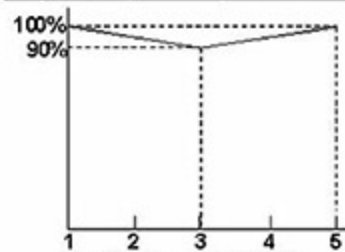
IDLE 1 : SPORT FLIGHT

	Throttle 油門	Pitch 螺距
5	85%	+12°
3	80%	+5°
1	85%	5°

Throttle Curve (Simple Aerobatic Flight)
空中飛行模式油門曲線

IDLE 2 : 3D FLIGHT

	Throttle 油門	Pitch 螺距
5	100% High 100% 高	+12°
3	90% Middle 90% 中	0°
1	100% Low 100% 低	-12°

Throttle Curve (3D Flight)
特技飛行模式油門曲線

Features 產品特色

- 3Axis** 3-axis gyroscopic flybarless system to simulate the stability of mechanical flybar system, yet at the same time achieving agile 3D performance.
3軸陀螺儀無平衡翼系統，可模擬有平衡翼系統的穩定性，更有靈活的3D性能。
- MEMS** Utilizes MEMS gyro sensors, which feature small footprint, high reliability, and excellent stability.
採用MEMS (Micro Electro Mechanical Systems) 微機電系統技術感測器，具有體積小、可靠性高、穩定性佳的優點。
- 12bit** Sensor with 12 bit ultra high resolution, resulting in highly precise controls.
感測器12位元，超高解析度，控制精確。
- APS** Supports APS Gyro.
支援APS陀螺儀。
- SPEKTRUM** Supports Spektrum and JR satellite receivers.
支援SPEKTRUM與JR衛星天線。
- S.BUS** Supports Futaba S.BUS architecture.
支援Futaba S.BUS功能。
- PC** Software upgradable through PC interface adapter.
具備可升級程式化介面，可透過傳輸線更新軟體。
- Easy** Simplistic setup process without the need of external devices. Setup is done through 5 steps and 2 sensitivity adjustments. Rudder setup is identical to GP780 gyro, minimizing learning curve.
設定簡單不需額外的介面，只需五個步驟、兩個感度調整即可完成所有設定，尾舵設定和GP780相同，設定輕鬆上手。
- Energy** Flybarless system dramatically improves 3D power output and efficiency, resulting in reduced fuel or electricity consumption.
無平衡翼系統，可大幅降低3D大動作飛行能量消耗，提供直昇機更大的動力輸出且更加節省燃油或電力。
- Stable** Highly sensitive gyroscopic sensors combined with advanced control detection routine providing higher hovering and aerobatic stability than other flybarless system.
高感度陀螺儀感測器及先進避障設計，可提供比一般平衡翼系統更佳的靜態及動態穩定性。
- CCPM** Suitable for all CCPM and mechanical mixing system.
適用於任何比例之對稱式三伺服器CCPM系統及傳統十字盤系統。
- GOV** Built in speed governor function.
內建定速器功能。
- T-REX** Compatible with helicopter of all sizes from T-REX 250 to T-REX 800.
3GX Flybarless電子設備相容迷你型直昇機至大型直昇機T-REX 250~T-REX 800。
- 3.5V-8.4V** Capable to operate between 3.5V to 8.4V, compatible with high voltage servos.
適用電壓3.5V~8.4V，支援高電壓伺服器。
- Small** Small footprint, light weight, minimalist and reliable design.
體積小、重量輕，構造簡單可靠，提供操作者高性能的飛行樂趣。
- RoHS** RoHS certified.
符合RoHS限用規章。

3GX FLYBARLESS SETUP INDICATORS 功能設定指示燈說明

FLYBARLESS SYSTEM SETUP MODE 無平衡翼系統設定模式

DIR	E.LIM	E.REV	A.LIM	A.REV
Direct mode bypassing gyro, for mechanical travel and neutral point setup. 機械行程與中立點設定	Collective mixing type recognition and elevator endpoint settings. 混控辨識及升降舵行程設定	Elevator reverse settings 升降舵正反設定	Aileron endpoints settings 副翼行程設定	Aileron reverse settings 副翼正反設定

RUDDER GYRO SETUP MODE 尾舵陀螺儀設定模式

1520/760	DS/AS	NOR/REV	LIMIT	DELAY	Anti-torque compensation direction setting
Servo frame rate settings (1520 μs and 760 μs) 寬頻1520 μs及窄頻760 μs伺服器設定	Digital/Analog servo settings 數位及類比伺服器設定	Rudder Servo Reverse settings 尾舵陀螺儀正反設定	Rudder endpoints settings 尾舵行程設定	Rudder servo delay, and helicopter size settings 尾舵延遲量及大小直昇機模式設定	Anti-torque compensation setting 反扭力補償正反設定

SETUP PRE-CHECK 設定前注意事項

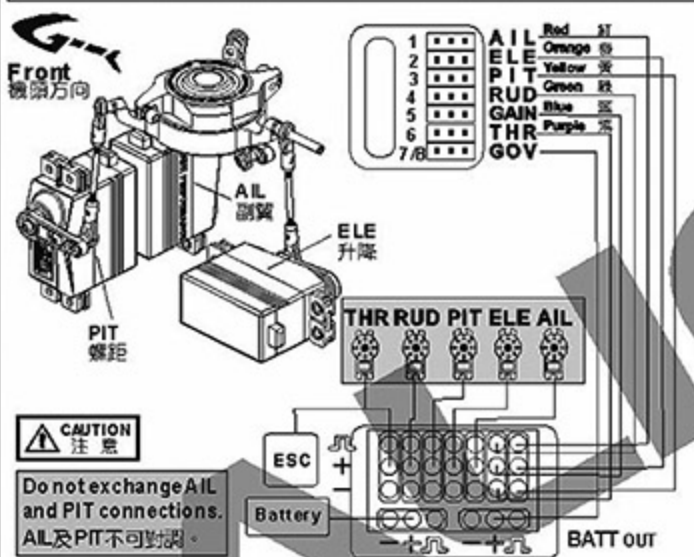


While using 3GX FBL system, be sure to turn off the following functions in the transmitter
 使用3GX系統若是遙控器有下列功能時請勿開啟功能
 * Swash Ring * Linkage Compensation * Swash Mix * Mixing * Acceleration

1. Connect the receiver and servos to the flybarless control unit as per diagram found on page 21~22.
 2. Digital servos must be used on cyclic to avoid damage to servos.
 recommended servo spec: minimum speed 0.08 sec/60, torque 12kg.cm or higher.
 3. The trim must be zero when using 3GX, and should not be adjusted at anytime. If the helicopter hovering tend one side, it means the swashplate doesn't keep horizontal when setting. Go to flybarless system "Direct mode bypassing gyro, for mechanical travel and neutral point setup" to adjust the level of the swashplate and then re-complete the setup.
 4. When the 3GX Flybarless system is installed for the first time, a few simple setup steps and fly tests need to be performed in the flybarless setup mode. these steps need to be performed only during initial setup, and does not need to be repeated for subsequent flights. Just power up the system normally, check the proper servo operations, and fly. The initial setup procedure only need to be repeated after software upgrade, pitch range reset, or subtrims are added in the transmitter.
1. 將接收器及伺服器依接線示意圖連接 (請參照第21~22頁)。
 2. 十字盤必須安裝數位伺服器, 否則會造成伺服器損毀。建議規格: 速度0.08秒/60°以內; 扭力12kg.cm以上。
 3. 進入設定前必須將遙控器的外微調歸零, 飛行時不可調整外微調, 若直昇機停懸時偏向某一邊移動, 表示設定時十字盤未保持水平, 請進入無平衡翼系統"機械行程與中立點設定", 調整十字盤呈水平後, 重新完成設定。
 4. 第一次安裝3GX Flybarless無平衡翼系統時, 必須進入無平衡翼設定模式, 進行幾項簡易的安裝設定與飛行測試, 完成後即不須再進入此設定模式, 只要正常開機, 檢查伺服器動作正確後即可飛行; 除非要更新程式、重設螺距或有更動遙控器內微調(subtrim)時, 必須進入設定模式重設無平衡翼系統。

3GX CONNECTIVITY METHOD 3GX接線方式

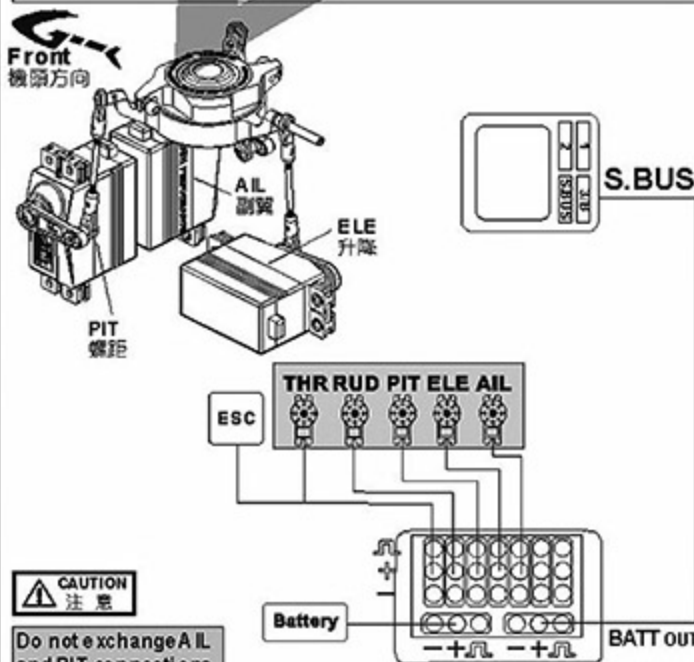
METHOD 1: STANDARD RECEIVER CONNECTIVITY METHOD 方式一: 傳統接收器接線法



1. Connect all wires as shown in diagram. Receiver and 3GX wires are color coded to distinguish the different connection channels. Care should be taken to ensure proper wire color to channel connection.
2. While using the speed controller that not including BEC, you need to connect the BEC power with 3GX "BATT" port.
3. Receiver power is achieved by connecting the 3GX "S.BUS/BIND" port to the ch7 or BATT port on receiver using supplied signal wire.
4. To avoid damage to servos, only digital servos should be used for swashplate. Recommended spec: 0.08s/60° or faster, with 12 Kg or higher torque.
5. 3GX has builtin speed governor function which can be utilized by purchasing the optional speed sensor. Governor setting is done through channel 7 on the receiver.

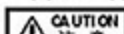
1. 請依照圖示進行接線, 接收器與3GX的接線使用不同的顏色來區分不同的通道, 接線時請注意各顏色所對應的通道。
2. 使用無BEC輸出的調速器時, 須額外由3GX的"BATT"孔位接入BEC電源。
3. 接收器電源以隨附的訊號線由3GX的"S.BUS/BIND"孔位接至第七通道或BATT通道。
4. 十字盤必須安裝數位伺服器, 否則會造成伺服器損毀。建議規格: 速度0.08秒/60°以內; 扭力12kg以上。
5. 3GX內建定速器功能, 可另購定速器感知器使用, 轉速設定由接收器的第七通道設定。

METHOD 2: FUTABA S.BUS CONNECTIVITY METHOD 方式二: FUTABA S.BUS接線法



1. For Futaba S.BUS receivers, connect wires as shown in diagram.
2. While using the speed controller that not including BEC, you need to connect the BEC power with 3GX "BATT" port.
3. Receiver power is supplied through S.BUS signal wire connect to 3GX's "S.BUS/BIND" port.
4. The default channel/function mapping when using S.BUS are:
 (1)AIL (2)ELE (3)THR (4)RUD (5)GAIN (6)PIT (7)GOV

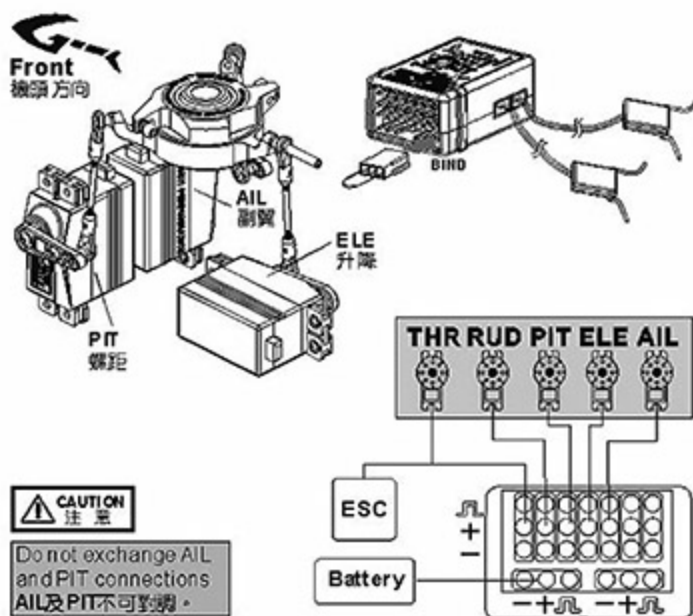
1. 具備S.BUS功能的Futaba接收器, 請依照圖示進行接線。
2. 使用無BEC輸出的調速器時, 須額外由3GX的"BATT"孔位接入BEC電源。
3. 接收器電源以隨附的訊號線接至3GX的"S.BUS/BIND"孔位。
4. 使用S.BUS功能時, 內部通道已指定為:
 (1)AIL (2)ELE (3)THR (4)RUD (5)GAIN (6)PIT (7)GOV



If channel (3) is set as PIT and channel (6) set as THR on transmitter, Such as 8FG, 12Z, 14MZ, etc, please reprogram the transmitter to utilize channel (3) as THR and channel (6) as PIT
 若所使用的遙控器內部指定(3)通道為PIT (6)通道為THR時, 例如8FG、12Z、14MZ等, 請更改遙控器上的設定為(3)通道 THR (6)通道 PIT。

5. To avoid damage to servos, only digital servos should be used for swashplate. Recommended spec: 0.08s/60° or faster, with 12Kg or higher torque.
6. 3GX has builtin speed governor function which can be utilized by purchasing the optional speed sensor. Governor setting is done through channel 7 on the receiver.
5. 十字盤必須安裝數位伺服器, 否則會造成伺服器損毀。建議規格: 速度0.08秒/60°以內; 扭力12kg以上。
6. 3GX內建定速器功能, 可另購定速器感知器使用, 轉速設定由接收器的第七通道設定。

METHOD 3: JR/SPEKTRUM SATELLITE CONNECTIVITY METHOD 方式三:JR/SPEKTRUM衛星天線接線法



1. For JR or Spektrum satellite receivers, connect wires as shown in diagram.
2. While using the speed controller that not including BEC, you need to connect the BEC power with 3GX "BATT" port.
3. To avoid damage to servos, only digital servos should be used for swashplate. Recommended spec: 0.08s/60° or faster, with 12Kg or higher torque.
4. 3GX has built in speed governor function which can be utilized by purchasing the optional speed sensor. Governor setting is done through channel 7 on the receiver. Channel 5/GEAR controls RPM of speed governor, channel 7/AUX2 controls rudder gyro gain. For radios with less than 6 channels, please use the standard receiver connectivity method.
5. For radios with less than 6 channels, channel 5/GEAR is used for rudder gyro gain. Speed governor cannot be used. For safety concern, two satellite receivers should be used, with each antenna perpendicular (90 degrees) from each other. A satellite receiver should be installed on each side of the frame, separate by minimum distance of 5cm.
6. Should both satellite receivers loose connectivity during flight, LED1~LED5 will flash continuously as warning. A single power cycle of the system will not clear this error. The system need to be power cycled the second time to reset.
7. default channel/function mapping when using satellite receiver are:

(1)THR	(2)AIL	(3)ELE
(4)RUD	(5)GOV	(6)PIT
(7)GAIN		

1. 請依照圖示進行接線，3GX支援Spektrum與JR系統衛星天線。
2. 使用無BEC輸出的調速器時，須額外由3GX的"BATT"孔位接入BEC電源。
3. 十字盤必須安裝數位伺服器，否則會造成伺服器損毀。建議規格：速度0.08秒/60°以內；扭力12kg以上。
4. 3GX內建定速器功能，可另購定速器感知器使用。七動及七動以上遙控器(5)GEAR控制定速器轉速，(7)AUX2控制尾舵陀螺儀感度。六動以下遙控器請使用傳統接線方式。
5. 為安全起見，請盡量安裝兩個衛星天線，兩個衛星天線角度除必須呈90度之外，且須安裝於機身兩側，相隔至少5公分以上。
6. 如果飛行途中有兩個衛星天線同時失連的情形，LED1~LED5會持續閃爍警告，在此情形下就算重新開機，LED1~LED5會持續閃爍而無法解除，必須再重新開機一次，才可正常運作。
7. 使用衛星天線接線時，內部通道已指定為：

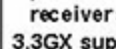
(1)THR	(2)AIL	(3)ELE
(4)RUD	(5)GOV	(6)PIT
(7)GAIN		



注意

Do not exchange AIL and PIT connections

AIL及PIT不可對調。



注意

注意

注意

注意

注意

注意

注意

注意

注意

注意

注意

注意

注意

注意

注意

注意

注意

注意

注意

注意

注意

注意

注意

注意

注意

注意

注意

注意

注意

注意

注意

注意

注意

注意

注意

注意

注意

注意

注意

注意

注意

注意

注意

FAILSAFE(LAST POSITION HOLD) 失控保護(保留最後指令)

When helicopter lost connectivity with your radio under this setting, all channels will hold at the last command position, except throttle channel which goes to a preset position.

1. Push throttle stick to the desired fail safe position.
2. Plug the binding plug into 3GX' s BIND port, and perform radio binding steps.
3. After successful binding, do not power off the 3GX, unplug the binding plug and allow 3GX to enter initializing process. The last position hold function will be active after the 3GX initializes.
4. Test Method: Power off transmitter. The throttle channel should move to preset position, while all other channels should hold in their last position.

在此模式下，若您的直昇機與遙控器失連，除油門頻道為預設位置，其餘頻道皆為最後指令位置。

1. 將油門搖桿放置於您所需要的預設安全位置。
2. 將對頻接頭插在3GX的BIND插座，執行與遙控器的對頻動作。
3. 與遙控器完成對頻動作後，不要關閉3GX電源，先將對頻接頭拔除，3GX會進入開機狀態，待3GX開機完成後，即完成保留最後指令設定。
4. 測試方法：將遙控器關機，除了油門頻道為預設安全位置外，其餘頻道都為失連前的最後指令位置。

FAILSAFE(PRE-SET POSITION HOLD) 失控保護(回復預設值)

When helicopter lost connectivity with your radio under this setting, all channels will move to the pre-set position.

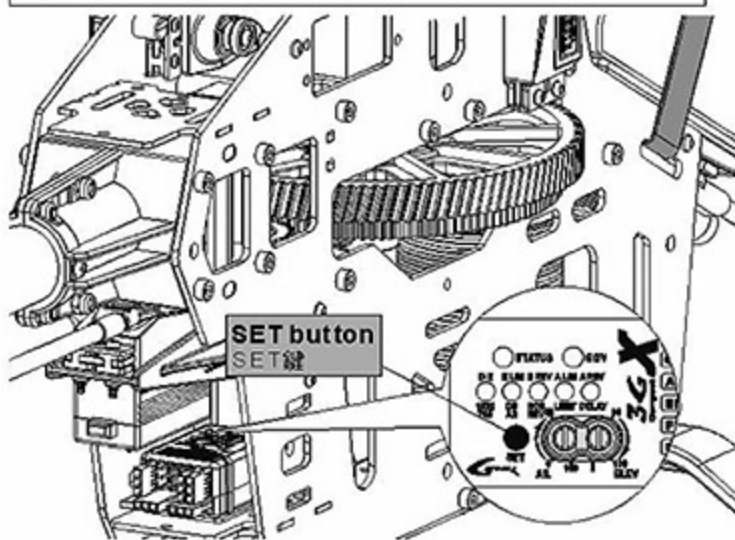
1. Plug the binding plug into 3GX' s BIND port, and power up the 3GX. After the rapid flash of satellite' s LEDs, pull the binding plug off.
2. Power up radio transmitter, and perform radio binding steps. After radio is bound, LED on the satellite antennas will end the rapid flash, following by slower flash.
3. Move the transmitter sticks to the desired failsafe position while the LED is flashing in slower mode.
4. Satellite antenna' s LED will lit up after 5 seconds, and 3GX goes through initializing process. The failsafe position will be set after the 3GX initializes.
5. Test Method: Power off transmitter, and all channels should move to the pre-set failsafe position.

在此模式下，若您的直昇機與遙控器失連，所有頻道為預設安全位置。

1. 將對頻接頭插在3GX的BIND插座，先開啟3GX電源，待衛星天線上LED快速閃爍後，將對頻接頭拔除。
2. 開啟遙控器電源，執行與遙控器的對頻動作，對頻完成瞬間，衛星天線上LED會由快速閃爍狀態熄滅，之後再亮起改為慢速閃爍。
3. 在慢速閃爍狀態時，將遙控器上的所有搖桿放置於您所需要的預設安全位置。
4. 5秒後衛星天線LED燈為恆亮，3GX進入開機狀態，待3GX開機完成後，即完成失控保護設定。
5. 測試方法：將遙控器關機，所有頻道為預設安全位置。

FLYBARLESS SYSTEM INITIAL SETUP STEPS 無平衡翼系統設定

1. DIR : DIRECT MODE TO BYPASS GYRO FOR MECHANICAL TRAVEL AND NEUTRAL POINT SETUP DIR 機械行程與中立點設定模式



STEP 1.1 : ENTER THE DIR SETTINGS

步驟 1.1 : 進入 DIR 設定

Press and hold the SET button while powering up the receiver. Release the button when LED 1-5 begin to cycle. Please power cycle to enter DIR mode. The DIR green LED will light up indicating the gyro has been bypassed for neutral and mechanical travel range setup.

按下“SET”鍵不放，並將接收器電源開啓，接著LED1~5(DIR~AREV)會循序亮起，此時即可以放開按鍵(註)，“DIR”綠燈亮起，則進入3GX Flybarless 機械行程與中立點設定模式。

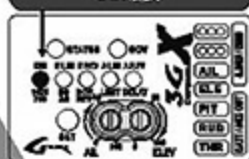
Note: If pressed for more than 2 seconds, 3GX will enter governor setup mode.

註：若按壓時間超過2秒，3GX會進入油門行程校正模式，請重新開電源進入DIR設定。

Connect the power 接上電源



DIR settings DIR 模式



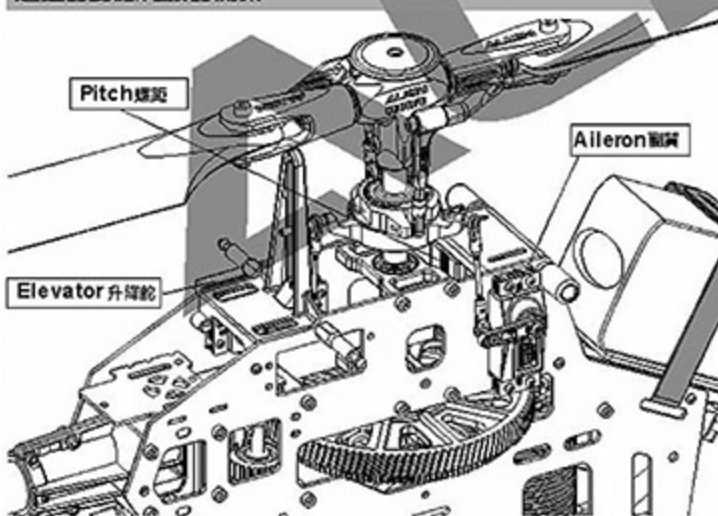
CAUTION 注意

- When entering setup mode during power up, 3GX will initiate startup process. Do not move the helicopter at this time, otherwise swashplate will be tilted after start up. Should this occurs, restart the setup mode.
- If 3GX was to be mounted inverted, please enter connect anti-torque compensation section and set it as "reverse" (STATUS LED turns red); to avoid the effect of the performance of gyro lock.

- 當接上電源進入設定模式的同時，3GX會啟動初始化的程序，此時請勿移動機身，以免造成陀螺儀十字盤傾斜，發生此狀況時請重新進入設定模式。
- 若3GX是以倒置的方式安裝，請進入設定選項中的反扭力補償設定，並將反扭力補償設為“反向”(STATUS LED 為紅燈)，以免影響陀螺儀鎖定效果。



TRANSMITTER FUNCTION TO SERVO MAPPING 遙控器對應伺服器關係



STEP 1.2 : SWASHPLATE FUNCTION CHECK

步驟 1.2 : 十字盤作動確認

Servo on right side of heli frame is AIL, middle is ELE, left side is PIT. Do not exchange AIL and PIT connections, otherwise some compensation feature may be reversed.

機體右側伺服器為AIL，中間為ELE，左側為PIT，請注意AIL及PIT不可對調，否則可能造成有些修正會反向。

Verify the correct swashplate movements for PIT, AIL, and ELE inputs.

確認十字盤作動 PIT、AIL、ELE 是否正確。

CAUTION 注意

In case of incorrect servo movement or no movement at all, please check for proper connection between 3GX flybarless connection to servos, as well as proper setup on transmitter.

若作動錯誤或伺服器無動作，請檢查3GX Flybarless 伺服器訊號線接線以及遙控器設定是否正確。

DIR settings DIR 模式



STEP 1.3 : MECHANICAL SETUP

步驟 1.3 : 機械結構設定

Adjust the servo neutral point and main blade pitch.

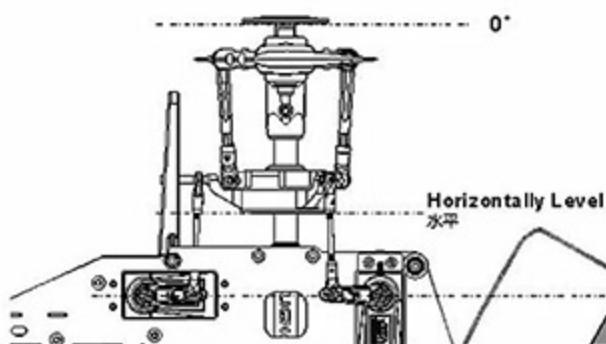
調整伺服器中立點、主旋翼角度(如圖示)。

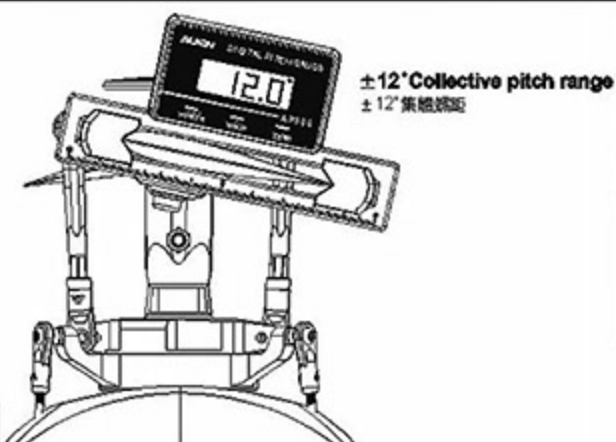
CAUTION 注意

Pay extra attention to these setup steps. Incorrect neutral points will affect flight stability, and worse lead to loss of control.

本步驟請確實設定，若中立點不正確，不但影響飛行穩定性，更可能造成失控的危險。

Adjust subtrims on transmitter so servo horn is horizontally level (調整遙控器的 Subtrim)
調整中點水平(調整遙控器的 Subtrim)





STEP 1.4 : COLLECTIVE PITCH SETUP

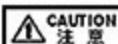
步驟 1.4 : 主旋翼螺距(集體螺距)設定

Adjust the maximum collective pitch using the transmitter's swashplate mixing function (pitch swash AFR). Recommended pitch range $\pm 12^\circ$, maximum pitch range for advanced pilot shall not exceed $\pm 14^\circ$. 建議螺距設定 $\pm 12^\circ$ ，高階使用者不超過 $\pm 14^\circ$ 為限。

While using 3GX FBL system, be sure to turn off the following functions in the transmitter

使用 3GX 系統若是遙控器有下列功能時請勿開啓功能

- * Swash Ring
- * Linkage Compensation
- * Swash Mix
- * Mixing
- * Acceleration



Do not adjust individual servos endpoints through the servo ATV/AFR function, use only swashplate mixing adjustments. Should any changes made to the endpoints or subtrims on the transmitter in the future, the flybarless system initial setup must be performed again.

CCPM 系統調整行程量時，須從遙控器 Swash 十字盤混控比率 (Pitch swash AFR) 調整，勿去調整個別伺服器的 ATV 行程量。爾後遙控器的內微調如有變更，必須重新進行 Flybarless 各項設定。



STEP 1.5 : CYCLIC PITCH SETUP

步驟 1.5 : 循環螺距設定

Swashplate cyclic pitch setting: With the main blades parallel to helicopter body, throttle stick positioned where main pitch is 0 degrees, move aileron stick all the way to the right, adjust the AIL mixing ratio within radio's SWASH menu so the main blade pitch is the factory recommended value ± 8 degrees. The ELE mixing ratio in SWASH menu can be set to the same value as AIL.

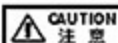
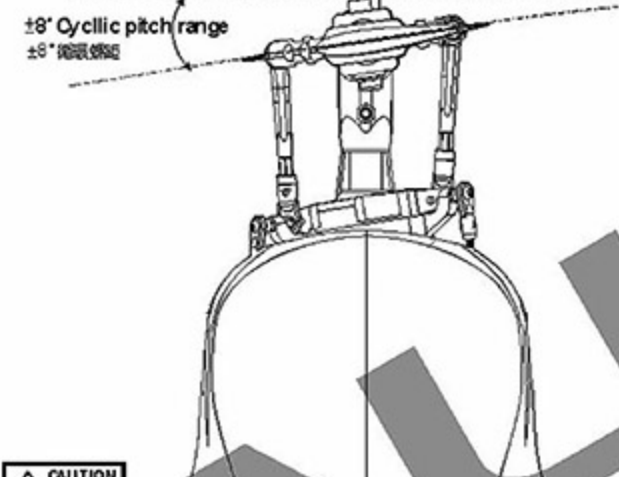
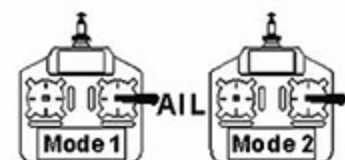
十字盤循環螺距設定：主旋翼方向與機體方向相同，油門搖桿置於主旋翼角度 0 度的位置不動，撥動副翼搖桿至最右，調整遙控器 Swash 中 AIL 比率，使主旋翼的攻角設定為原廠建議值 ± 8 度，搖控器 Swash ELE 比率請設定為與 AIL 比率相同即可。

If adjustments is needed for aileron and elevator roll rate, it can be done through 3GX interface's flight mode settings, or through 3GX PC interface.

若需調整副翼及升降滾轉速率時，可由 3GX 面板進入 3GX 飛行特性設定或透過 3GX 電腦介面調整。

Example: cyclic pitch of 8° :
Futaba 12ZH with three DS615's
AILeron swash AFR : 43% (8°)
Elevator swash AFR : 43%
Pitch swash AFR : 29% ($\pm 12^\circ$)

例：以循環螺距設定 8° :
Futaba 12ZH 搭配 DS615 x 3
AILeron swash AFR : 43% (8°)
Elevator swash AFR : 43%
Pitch swash AFR : 29% ($\pm 12^\circ$)

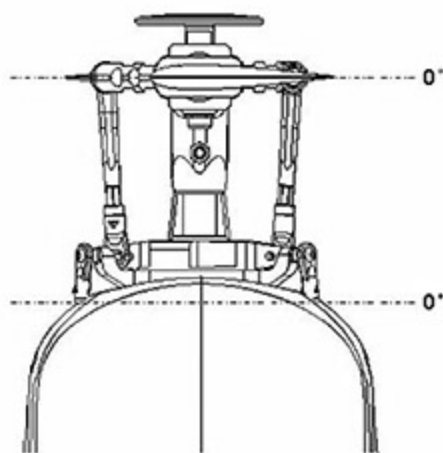


Adjustments to the CCPM servos endpoints should be done through transmitter's swashplate mixing function (AIL swash AFR). Do not adjust individual servos endpoints through the servo ATV/AFR function.

Should any changes made to the endpoints or subtrims on the transmitter in the future, the flybarless system initial setup must be performed again. CCPM 系統調整行程量時，從遙控器 Swash 十字盤混控比率做調整，勿去調整個別伺服器的 ATV 行程量。爾後遙控器內微調如有變更，必須重新進行 Flybarless 各項設定。

2. E.LIM SWASHPLATE MIXING TYPE RECOGNITION AND ELEVATOR ENDPOINT SETUP :

E.LIM 十字盤混控辨識及升降舵行程量設定模式 :

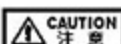


STEP 2.1 : ENTERING E.LIM SETUP MODE

步驟 2.1 : 進入 E.LIM 設定

While keeping swashplate level and main pitch at zero degrees, press the SET button to register the neutral point and enter E.LIM setup mode. The E.LIM LED will lit up after DIR turns off.

保持十字盤為水平、旋翼角度為零度的狀態下，接著按下 "SET" 鍵 DIR 燈將熄滅，E.LIM 燈將會亮起，進入 "E.LIM 升降舵行程量" 設定模式。

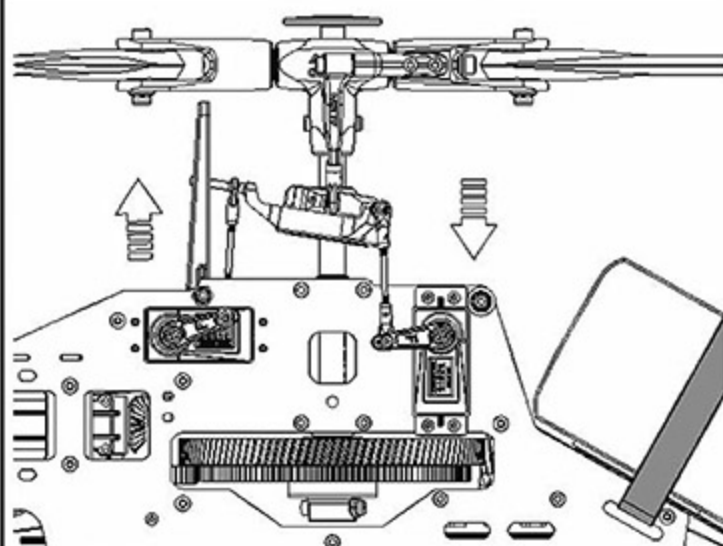


The throttle stick position where main pitch is 0 degree must be maintained through this setup process.

油門搖桿須置於主旋翼角度 0 度的位置，不可再移動。

E.LIM settings E.LIM 設定





STEP 2.2 : SWASHPLATE MIXING TYPE RECOGNITION AND ELEVATOR ENDPOINT SETUP

步驟 2.2 : 十字盤混控辨識與升降舵行程量設定

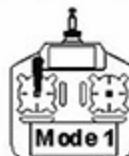
With all channels stationary, move the transmitter elevator stick forward, and then back to center position. This completes the swashplate mixing type recognition process. The control unit will determine the CCPM mixing ratio or traditional mechanical mixing maximum elevator endpoints.

將遙控器升降舵推至最前方(請勿動到其他舵面動作), 再將升降舵搖桿放回中間位置, 完成此模式設定。

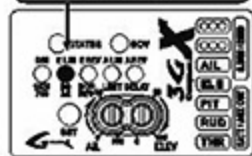
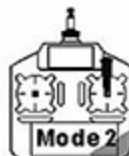
讓 3GX Flybarless 解算 CCPM 混控比例 或傳統十字盤模式及前後可用行程。

Throttle stick must be maintained
油門搖桿固定

E.LIM settings
E.LIM 模式

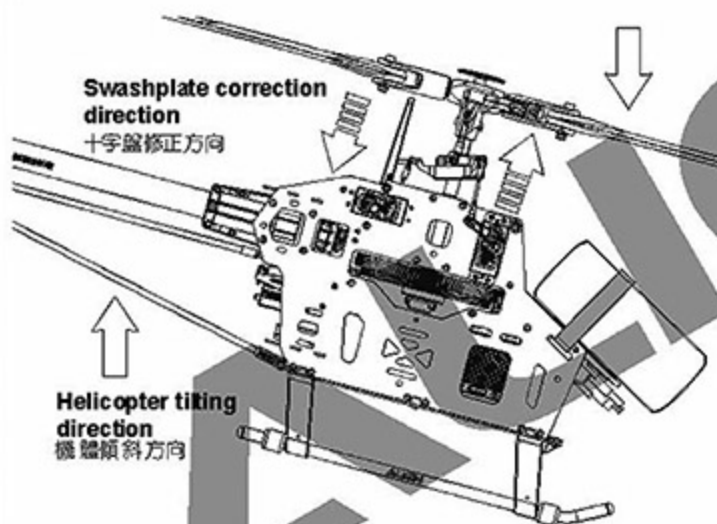


ELE



Throttle stick position where main pitch is 0 degree must be maintained through this setup process.
油門搖桿須置於主旋翼角度 0 度的位置, 不可再移動。

3. E.REV ELEVATOR REVERSE SETUP MODE : E.REV 升降舵陀螺修正反向設定模式 :



Press the SET button to enter E.REV setup mode. The E.REV LED will lit up after E.LIM turns off. This setup mode sets the elevator gyro direction.

1. Tilt the helicopter forward as shown in diagram, and check if swashplate is tilting correctly toward the back.
2. If the swashplate is tilting at the wrong direction, move the transmitter elevator stick until STATUS LED changes color, and re-check the swashplate tilting direction.

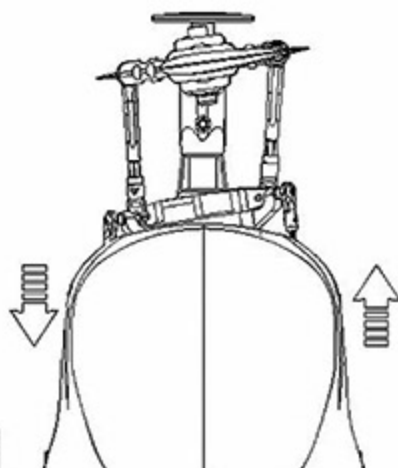
接著按下“SET”鍵, 讓設定模式進入“E.REV 升降舵陀螺修正反向”設定模式, 此時 E.LIM 燈熄滅, E.REV 燈亮起。此模式設定升降舵陀螺修正方向。

1. 如圖示, 將機身向前傾確認十字盤的修正方向是否正確。
2. 如果十字盤方向修正錯誤, 請移動升降舵搖桿改變 STATUS 燈顏色後, 再次確認十字盤修正方向是否正確。

E.REV settings
E.REV 模式



4. A.LIM AILERON ENDPOINTS SETUP: A.LIM 副翼行程量設定模式:



Press the SET button to enter A.LIM setup mode. The ALIM LED will lit up after E.REV turns off. With all channels stationary, move the transmitter aileron stick to the right, and then back to center position. This completes the aileron endpoint setup process. The control unit will determine the maximum aileron endpoints.

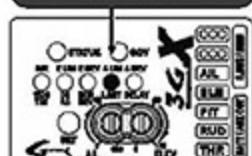
接著按下“SET”鍵, 讓設定模式進入“A.LIM 副翼行程量”設定模式, 此時 E.REV 燈熄滅, A.LIM 燈亮起。將副翼搖桿向右推到底, 完成後將搖桿回中, 完成此模式設定, 讓 3GX Flybarless 解算副翼可用行程。

Throttle stick must be maintained
油門搖桿固定

A.LIM settings
A.LIM 模式

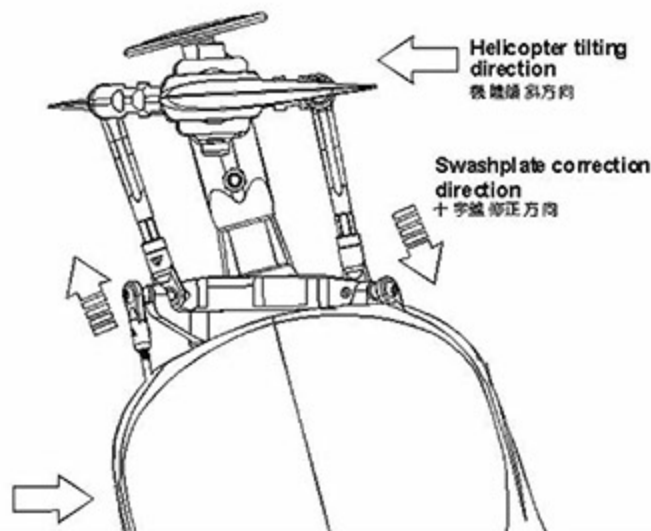


AIL



The throttle stick position where main pitch is 0 degree must be maintained through this setup process.
油門搖桿須置於主旋翼角度 0 度的位置, 不可再移動。

5. A.REV AILERON REVERSE SETUP MODE : A.REV 副翼陀螺儀修正反向設定模式 :



Press the SET button to enter A.REV setup mode. The A.REV LED will lit up after A.LIM turns off. Tilt the helicopter right as shown in diagram, and check if swashplate is tilting correctly toward the left. If the swashplate is tilting at the wrong direction, move the transmitter aileron stick until STATUS LED changes color, and re-check the swashplate tilting direction. Press the SET button again, and the control unit will restart with all LED's flashing. This completes the flybarless portion of the setup process.

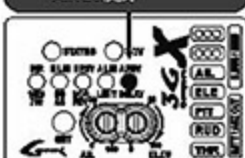
接著按下"SET"鍵，讓設定模式進入"A.REV副翼陀螺儀修正反向"設定模式，此時ALIM燈熄滅，A.REV燈亮起。此模式設定副翼陀螺儀修正方向，如果將副翼搖桿往右傾，3GX Flybarless將十字盤向左修正，如果反向，可向左或向右推動副翼搖桿，變換"STATUS"不同顏色燈號，重檢陀螺儀修正方向。接著按下"SET"鍵完成無平衡系統設定，所有LED將閃動，重新開機。

CAUTION 注意

3GX Flybarless system must remain stationary during startup. Do not move the helicopter until the swashplate jumps up and down slightly 3 times, indicating the completion of initialization. (please refer to page 37 step 3)

3GX Flybarless 開機時會進入初始化狀態，此時請勿移動機身，當初始化完成後，十字盤會保持水平上下小幅跳動3次，表示開機完成。(請參考P.37步驟3)

A.REV settings A.REV模式



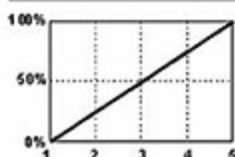
3GX THROTTLE CALIBRATION 3GX遙控器油門行程校正

CAUTION 注意

While setting throttle calibration, reset throttle curve and pitch curve to default 0-50-100.

遙控器油門行程校正時，先將油門/螺距曲線回復到預設0 50 100設定。

Throttle/Pitch curve 油門螺距曲線



Press 3GX SET button 按著3GX SET鍵不放



Turn on the receiver power 開啓接收機電源



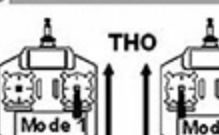
LED on 3GX panel all light up
讓3GX面板上LED統統亮起來全亮



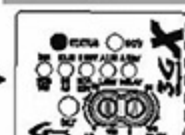
Release SET button 放開SET鍵



Move the throttle stick from lowest to highest point
將油門搖桿從最低點移至最高點位置



After finish the setup, red and green LED start flashing and 3GX restarts
設定完成後，紅綠燈閃爍，3GX重新開啓



Take off the receiver power
關閉接收機電源



FLIGHT MODE SETTING 飛行特性設定

Operation Instruction

1. With 3GX in operation mode, push rudder to left or right, and press the SET button for about a second.
2. After entering setting mode, the STATUS LED will flash specific number of times to indicate specific settings.
3. During setting process, LED1 to 5 indicate the rate of setting; flashing LED represents 10%, while steady lit LED represents 20%. For example, if LED1 and LED2 are steady lit with LED3 flashing, the set rate is $2 \times 20 + 10 = 50\%$.

操作說明

1. 在3GX運作狀態中將尾舵搖桿扳至左邊或右邊不放，接著按SET鍵約一秒。
2. 進入設定後STATUS的燈號會以閃爍的次數代表所進入的選項。
3. 在設定過程中LED1-5代表設定值，LED閃爍代表10%，LED恆亮代表20%，例如LED1-LED2全亮，LED3閃爍，設定值為 $2 \times 20 + 10 = 50\%$ 。

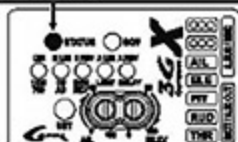
The LED flashing frequency indicates setting position.
Single flash: Flip rate adjustment
Double flash: Elevator end point setting
Flash in group of 3: Aileron end point setting
Flash in group of 4: Swashplate dampening setting
Flash in group of 5: Swashplate accelerate setting

此物閃爍次數為進入的程式介面位置
閃爍次數1: 滾轉速率調整
閃爍次數2: 升降舵行程限制設定
閃爍次數3: 副翼行程限制設定
閃爍次數4: 十字盤震化設定
閃爍次數5: 十字盤加速設定

Fully lit LED1 indicates 20%
Fully lit LED2 indicates 20%
Flashing LED3 indicates 10%
So the setting value is $2 \times 20 + 10 = 50\%$

LED1恆亮代表20%
LED2恆亮代表20%
LED3閃爍代表10%
故設定值為 $2 \times 20 + 10 = 50\%$ 。

Moverudder stick 撥動尾舵搖桿



1. AILERON ROLL RATE 滾轉速率調整

Setting Instruction:

1. After entering setting mode, STATUS LED flashes once.
2. Aileron and elevator rate can be adjusted independently.
3. Moving the aileron stick will display aileron roll rate on the LED. The more LEDs, the faster the roll rate. Moving the aileron stick can increase or decrease the number of LEDs that lights up between LED1 to LED5, which sets the aileron roll rate. Same method is used to adjust the elevator flip rate when elevator stick is moved.
4. Elevator flip rate is adjusted based on aileron roll rate. When the difference between elevator flip rate and aileron roll rate differs by 20% or more, 3GX will automatically adjust until the error rate falls within range. Therefore, we recommend adjustment aileron roll rate first, and then adjust elevator flip rate.
5. Moving the related control stick, LED will automatically jump to the set rate display of the specific stick function. For example, moving the aileron stick, LED1 to LED5 will display aileron set rate. Moving elevator stick, LED to LED5 will display elevator set

設定說明:

1. 進入設定後STATUS的燈號閃爍一次。
2. 副翼及升降速率可以分開調整。
3. 移動副翼搖桿會顯示副翼滾轉速率之LED燈號，燈號越多表示滾轉越快，再次移動副翼搖桿可以增加或減少LED1~LED5亮燈數量，進而調整副翼滾轉速率，同理移動升降搖桿會顯示升降滾轉速率之LED燈號，可以調整前後滾轉速率。
4. 升降速率會依副翼滾轉速率而調整，當升降速率和副翼滾轉速率相差20%以上，3GX會自動調整與限制在誤差範圍內，所以建議先調整副翼滾轉速率，再調整升降速率。
5. 動相關搖桿LED會自動跳至該搖桿設定值，例如副翼搖桿，LED1~5會顯示副翼設定值。動升降搖桿，LED1~5會顯示升降設定值。

Move aileron stick to adjust aileron roll rate
撥動副翼搖桿調整副翼滾轉速率



STATUS Single flash
STATUS閃爍一次



Move elevator stick to adjust elevator flip rate
撥動升降搖桿調整升降滾轉速率



STATUS Single flash
STATUS閃爍一次



2. ELEVATOR END POINT SETTING 升降舵行程極限設定

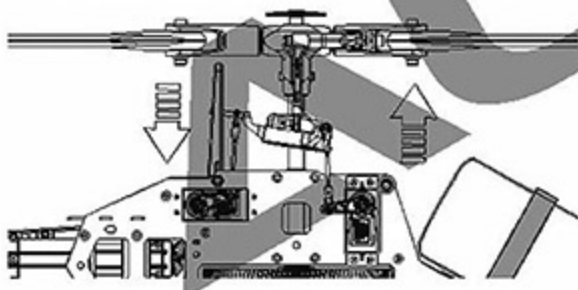
Setting Instruction:

1. Before entering elevator and aileron limit setting, please switch the transmitter to throttle hold mode and push the throttle down to 0° position to avoid mechanical interference due to excess travel range.
2. After entering setting mode, STATUS LED flashes twice
3. After entering setting mode, elevator may deviate as much as 8 degrees plus compensating rate either forward or back. Moving elevator stick can adjust servo travel limit. For example, if LED shows 50%, total elevator travel range is $8+0.5*8 = 12$ degrees.
4. Generally 70% is suitable for most helicopter frame. If recommended value is not used, please adjust setting until maximum is reached without mechanical binding.

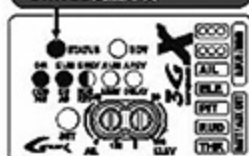
設定說明:

1. 進入升降舵副翼行程極限設定前，請先將遙控器切換在熄火模式，並將油门搖桿設在0度的位置，避免行程過大時造成結構干涉。
2. 進入設定後STATUS的燈號閃爍兩次。
3. 進入後升降舵會偏至8度+外環值，有可能偏前或偏後，推動升降舵搖桿可以調整升降舵行程極限。例如LED顯示設定為50%，升降舵行程總行程約為 $8+0.5*8=12$ 度。
4. 一般而言70%可以適用於大部分的直升機機體，如果不使用建議值，請設定至機械結構不至干涉之極限值。

Move elevator stick to adjust elevator travel limit
撥動升降搖桿調整升降舵行程極限值



STATUS Double flash
STATUS閃爍兩次



3. AILERON END POINT SETTING 副翼行程極限設定

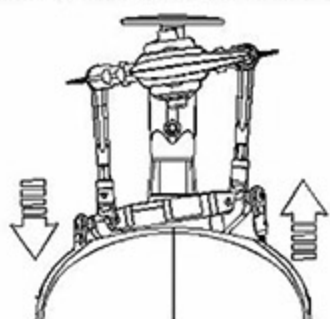
Setting Instruction

1. After entering setting mode, STATUS LED flashes 3 times.
2. After entering setting mode, aileron may deviate as much as 8 degrees plus compensating rate either forward or back. Moving aileron stick can adjust servo travel limit. For example, if LED shows 50% total elevator travel range is $8+0.5*8 = 12$ degrees.
3. Generally 70% is suitable for most helicopter frame. If recommended value is not used, please adjust setting until maximum is reached without mechanical binding.

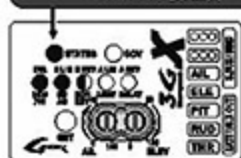
設定說明

1. 進入設定後STATUS的燈號閃爍三次。
2. 進入後副翼會偏至8度+外環值，有可能偏左或偏右，撥動副翼搖桿可以調整副翼行程極限值。例如LED顯示設定為50%，總舵量約為 $8+0.5*8=12$ 度。
3. 一般而言70%可以適用於大部分的直升機機體，如果不使用建議值，請設定至機械結構不至干涉之極限值。

Move aileron stick to adjust aileron travel limit.
撥動副翼搖桿調整副翼行程極限值



STATUS Flash in group of 3
STATUS閃爍三次



4. SWASHPLATE DAMPENING SETTING 十字盤柔化設定

Setting Instruction :

1. After entering setting mode, STATUS LED flashes 4 times.
2. Move the aileron stick to adjust cyclic pitch dampening rate; the more LED lights up, the more dampening effect. Please note aileron and elevator dampening cannot be adjusted separately. Moving aileron stick is for adjusting cyclic pitch dampening rate, but moving elevator stick is for adjusting collective pitch dampening rate, NOT elevator dampening rate.
3. The more dampening effect, the smoother helicopter flies, but feels less direct. The rate of dampening should be adjusted to suit pilot's preferences.

設定說明

1. 進入設定後STATUS的燈號閃爍四次。
2. 撥動副翼搖桿可以調整循環螺距柔化程度，LED亮燈越多，柔化越多，但請注意副翼及升降柔化不可分開調整，所以撥動副翼搖桿為調整循環螺距柔化，但撥動升降搖桿是調整集體螺距柔化程度，而非升降舵柔化程度。
3. 柔化程度越多，飛機飛行越平順，但越不直接，柔化程度可以個人不同手感調整。

Move aileron stick to adjust cyclic pitch dampening

撥動副翼搖桿調整循環螺距柔化值



STATUS Flash in group of 4

STATUS 閃爍四次



Move elevator stick to adjust collective pitch dampening

撥動升降搖桿調整集體螺距柔化值



STATUS Flash in group of 4

STATUS 閃爍四次



5. SWASHPLATE ACCELERATE SETTING 十字盤加速設定

Setting Instruction :

1. After entering setting mode, STATUS LED flashes 5 times.
2. Move the aileron stick to adjust cyclic pitch acceleration rate; the more LED lights up, the more acceleration effect. Please note aileron and elevator acceleration cannot be adjusted separately. Moving aileron stick is for adjusting cyclic pitch acceleration rate, but moving elevator stick is for adjusting collective pitch acceleration rate, NOT elevator acceleration rate.
3. When cyclic pitch acceleration is active, hovering point fixation ability may be reduced. Beginners or F3C pilots should minimize cyclic pitch acceleration rate value, or set it to zero.

設定說明

1. 進入設定後STATUS的燈號閃爍五次。
2. 撥動副翼搖桿可以調整循環螺距加速程度，亮燈越多，加速越多，但請注意副翼及升降的加速是不可分開調整，所以撥動副翼搖桿為調整循環螺距加速，但撥動升降搖桿是調整集體螺距加速程度，而非升降舵加速程度。
3. 別做循環螺距加速，會造成停機時點性較差，初學者或F3C飛行者請將循環螺距加速設定值降低，或設定為0。



Setting swashplate acceleration may increase the burst amp draw of servos. Therefore, BEC output capability should be confirmed to handle burst current when setting collective pitch acceleration, otherwise insufficient current supply may result in flight accidents. We recommend direct power supply if acceleration is higher than 50%.

設定十字盤加速會造成伺服機瞬間耗電量較高，所以請注意如果設定集體螺距加速，必須留意BEC是否可提供足夠的瞬間電流，否則有可能造成伺服機瞬間供電不足，而造成飛行事故，所以直接供電才建議可調整至50%以上的設定值。

Move aileron stick to adjust cyclic pitch acceleration

撥動副翼搖桿調整循環螺距加速值



STATUS Flash in group of 5

STATUS 閃爍五次



Move elevator stick to adjust collective pitch acceleration

撥動升降搖桿調整集體螺距加速值



STATUS Flash in group of 5

STATUS 閃爍五次



RUDDER GYRO SETUP 尾舵陀螺儀設定

After the system reboots, flybarless setup is completed. Push and hold the SET button for 2 seconds to enter the rudder gyro setup mode. If your transmitter has the following settings, please disable it or set the value to zero.

完成開機後Flybarless部分已設定完成，接著要設定尾舵陀螺儀。於待機狀態下持按“SET”鍵2秒進入尾舵陀螺儀設定。如果您的遙控器有下列功能時，請設定為關閉(OFF)或數值設定為零。

- ATS
- Pilot authority mixing
- Throttle to rudder mixing
- Rudder to gyro mixing
- Pitch to rudder mixing
- Revolution mixing



3GX Flybarless rudder gyro has the factory setting of 1520 μ s and DS digital servo. Double check your servo spec and change the gyro setting as needed to avoid damages to the servo.

3GX Flybarless 尾舵陀螺儀出廠設定值為：1520 μ s 寬頻與DS數位伺服器模式，安裝時請確認您的伺服器規格，避免設定值不同而造成伺服器損壞。

1. 1520 μ s (STANDARD) OR 760 μ s (NARROW BAND) SERVO FRAME RATE SETUP. 1520 μ s (標準) 或 760 μ s (窄頻) 伺服器設定

3GX Flybarless system is compatible with both the 760 μ s narrow frame rate servos (such as Futaba S9256, S9251, BLS251), as well as the standard 1520 μ s frame rate servos (most others). Proper frame rate must be selected based on your servo's specifications.

To enter the setup mode : Press and hold the SET button for 2 seconds until STATUS LED flashes. The 1520/760 LED will light up indicating servo frame rate setup mode. Push the transmitter rudder stick left or right to select the framerate. For example, if rudder is pushed to the left (or right) and STATUS LED turns green, the frame rate is set to 1520 μ s. To set it to 760 μ s, the rudder stick need to be pushed from the center to the opposing end 3 times for the STATUS LED to turn red, indicating frame rate set to 760 μ s.

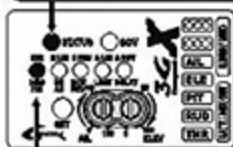
3GX Flybarless panel : Each setting value is labeled on the 3GX flybarless control unit with either green or red lettering, which corresponds to the STATUS LED color. Subsequent setup mode is entered by a single press of the SET button. Setup mode will exit if no activity is detected in 10 seconds.

3GX Flybarless 相容兩種波寬控制系統，若您使用的伺服器屬於 760 μ s 系統（如 Futaba S9256、S9251、BLS251），則必須將 3GX Flybarless 設定於 760 的模式，其他未標示 760 μ s 規格的伺服器，一般皆為 1520 μ s 系統，須設定為 1520 的模式。

進入功能設定模式：持按面板上的“SET”設定鍵約 2 秒，此時“STATUS”狀態指示燈會開始閃爍，且“1520/760”的功能設定指示燈會亮起，表示進入標準/窄頻伺服器選項，利用遙控器方向舵搖桿的左右方向來選擇設定值，例如方向舵搖桿往左（或右）時，“STATUS”指示燈為綠色，表示設定為 1520 μ s 系統；若要設定為窄頻 760 μ s 系統時，必須將搖桿由中立點往相反方向連續撥動 3 次，使“STATUS”指示燈亮紅色，才會進入 760 μ s 系統。

3GX Flybarless 的面板：標籤上已使用綠/紅色的字體提示“STATUS”燈色所代表的設定值。設定完成後按“SET”鍵一次可進入下一個設定，或是 10 秒內不做任何設定，系統會自動離開設定模式。

Green LED : 1520 μ s standard band
Red LED : 760 μ s narrow band
綠燈：1520 μ s 寬頻伺服器
紅燈：760 μ s 窄頻伺服器



Standard/Narrow band mode
寬頻/窄頻模式

Select by moving the rudder stick left and right
左右撥動方向舵選擇



2. DS (DIGITAL) / AS (ANALOG) SERVO SELECTION DS數位/AS類比伺服器選擇

There is a direct correlation between servos' speed to gyro's performance. Faster servos are able to execute commands from the gyro at faster and higher precision. Due to the high performance gyro sensors used in the 3GX flybarless system, premium high speed digital rudder servos are mandatory for optimal tail performance. Some of the recommended rudder servos.

Setup method : Press and hold the SET button for 2 seconds to enter the setup mode, then press the SET button to select DS/AS setup mode, as indicated by the lighting of DS/AS LED. Using the transmitter's rudder stick, select either digital servo DS mode (STATUS LED is green), or analog servo AS mode (STATUS LED is red).

伺服器動作速度與陀螺儀的性能，伺服器動作愈快，就能立即反應陀螺儀送出的指令，發揮快速精準的效率；由於 3GX Flybarless 具有相當快速的反應時間與靈敏度，所以建議您搭配高速度數位伺服器，以獲得最佳效能。

設定方式：持按“SET”鍵 2 秒進入功能設定模式，再按“SET”鍵選擇 DS/AS 選項。（DS/AS 指示燈亮起），利用方向舵搖桿選擇數位 DS（STATUS 為綠燈）或類比 AS（STATUS 為紅燈）伺服器。

Green LED : DS digital servo
Red LED : AS analog servo
綠燈：DS 數位伺服器
紅燈：AS 類比伺服器



Digital / analog mode
數位/類比模式



Using an analog servo in DS mode will cause damages to the servo.
在 DS 模式下連接 AS 類比伺服器將導致伺服器損毀。

Select by moving the rudder stick left and right
左右撥動方向舵選擇



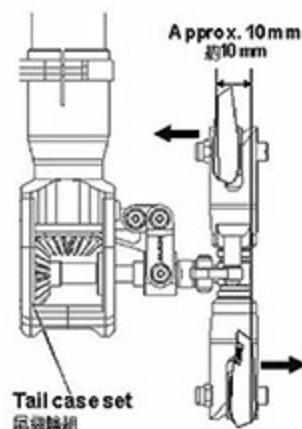
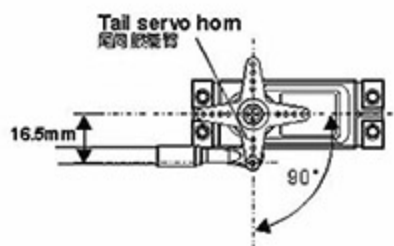
3. RUDDER SERVO DIRECTION CHECK AND LINK ADJUSTMENT 檢查尾舵伺服器正逆轉方向與調整連桿

Move the transmitter rudder stick left/right, and check for the correct direction of the rudder servo. If needed, servo reverse is done from the transmitter's REV (reverse) function.

For tail pitch adjustment, center the rudder servo by either setting the 3GX flybarless to normal rate mode (non-heading lock), or press and hold the SET button for 2 seconds. With the rudder servo centered and servo horn at 90 degrees, adjust the linkage length until tail pitch slider is centered on the tail output shaft as shown in diagram.

左右撥動尾舵搖桿，確認尾舵伺服器移動的方向是否正確，若正確則更改遙控器上的尾舵伺服器正逆轉方向。

將 3GX Flybarless 切換成非鎖定模式或持按“SET”鍵 2 秒，使尾舵伺服器保持在中立點的位置上，調整伺服舵片，盡可能使尾舵連桿與伺服舵片呈 90 度，接著調整連桿長度使尾 Pitch 控制組置中。



4. GYRO NOR/REV SETTING NOR/REV陀螺儀正反向開關設定

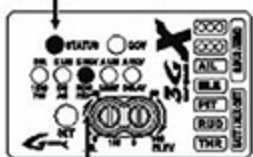
Lift up the helicopter by hand, and turn it to the left (yaw). Check if the rudder servo is applying correct compensation to the right. If reversed, set the NOR/REV setting as follow

Setup method : Press and hold the SET button for 2 seconds to enter the setup mode, then press the SET button to select NOR/REV setup mode, as indicated by the lighting of NOR/REV LED. Using the transmitter's rudder stick, select either NOR (STATUS LED is green), or REV (STATUS LED is red).

提起直昇機，將機頭往左擺動，若尾舵伺服器的擺動方向與遙控器的方向舵搖桿打右舵同方向時，表示陀螺儀的動作方向設定正確，若不正確時請更改正反向設定。

設定方式：持按“SET”鍵2秒進入功能設定模式，選擇NOR/REV選項，以方向舵選擇NOR (STATUS為綠燈) 或REV (STATUS為紅燈)。

Green LED : normal direction
Red LED : reverse direction
綠燈：NOR正向
紅燈：REV反向



Gyroscope direction settings
陀螺儀正反向設定

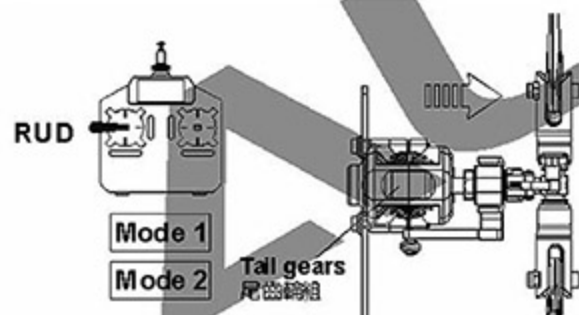
Select by moving the rudder stick left and right
左右撥動方向舵選擇



5. LIMIT RUDDER SERVO ENDPOINT SETTING LIMIT尾舵伺服器行程量調整

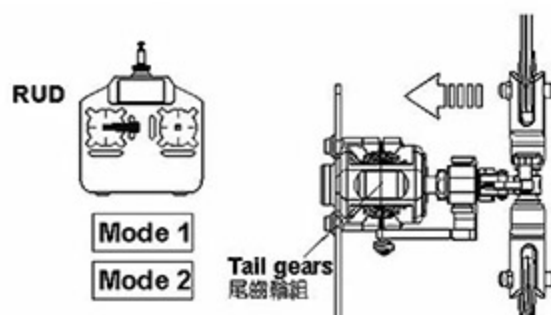
Press and hold the SET button for 2 seconds to enter the setup mode, then press the SET button repeatedly to select LIMIT setup mode, as indicated by the lighting of LIMIT LED. Push the transmitter rudder stick left until tail pitch slider reaches the end, then center the rudder stick and wait 2 seconds for the STATUS LED to flash red. Then push the rudder stick right until tail pitch slider reaches the end, then center the rudder stick and wait 2 seconds for the STATUS LED to flash red. This completes the left and right endpoint limit adjustment of servo travel. Insufficient servo travel will degrade helicopter performance, while excessive travel will cause binding and damage rudder servo.

持按“SET”鍵2秒進入功能設定模式，此時尾舵伺服器會保持在中立點的位置上，選擇LIMIT選項，接著將方向舵搖桿慢慢的往左移動，使尾舵控制組達到該側的大行程限度後，將搖桿回歸中立點不動，待2秒後“STATUS”指示燈會亮紅燈閃爍，表示左側行程量已記憶；接著將尾舵搖桿向右移動至控制組最大行程限度後，再將搖桿回歸中立點不動，待2秒後“STATUS”指示燈亮紅燈閃爍，即完成左右行程量設定，行程量不足時會影響陀螺儀與直昇機的性能，行程量過大易造成伺服器損壞。



Push the transmitter rudder stick left until tail pitch slider reaches the end, then center the rudder stick and wait 2 seconds for the STATUS LED to flash red. This completes the rudder endpoint limit adjustment for the left side.

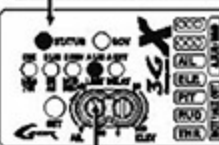
將方向舵慢慢往左撥動，使控制組達到左舵最大行程限度後，將搖桿回歸中立點不動，待2秒後“STATUS”紅燈閃爍表示左舵行程記憶量完成。



Push the rudder stick right until tail pitch slider reaches the end, then center the rudder stick and wait 2 seconds for the STATUS LED to flash red. This completes the rudder endpoint limit adjustment for the right side.

將方向舵慢慢往右撥動，使控制組達到右舵最大行程限度後，將搖桿回歸中立點不動，待2秒後“STATUS”指示燈表示右舵行程記憶量完成。

Flashing red LED indicates settings have been registered
紅燈閃爍時表示記憶完成



Endpoint limit settings
行程量設定

CAUTION
注意

Rudder travel limit setting lower than 50% will not be registered. Mechanical fix (moving link ball closer to center of servo horn) is needed for excessive servo travel when LIMIT function is below 50%.

尾舵行程量設定不可低於50%，否則3GX Flybarless將不予記憶，若發生行程量設定後，尾舵控制組仍會超過最大行程，請將尾舵眼臂的球頭向內移動，避免行程不足影響陀螺儀性能。

6. HELICOPTER SIZE AND DELAY SETTINGS

直昇機模式與DELAY控制延遲量調整

This setting includes two functions :

(1) For small helicopters such as T-REX 250/450, set this setting to small helicopter (STATUS LED red).

For larger helicopters such as T-REX 500/550/600/700/800 set this setting to large helicopter (STATUS LED green).

此設定包含兩項功能：

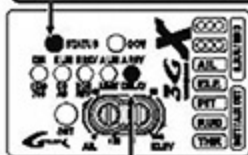
(1) 3GX Flybarless 支援小型/迷您型室內電直，請依您直昇機的類型選擇適合的模式，如：T-REX250/450 請選擇小型/迷您型模式（設定時“STATUS”指示燈為紅色）；T-REX500/550/600/700/800 請選中大型直昇機模式（設定時“STATUS”指示燈為綠色）。

Green LED: suitable for larger helicopters such as T-REX500/550/600/700/800

Red LED: suitable for smaller helicopter such as T-REX 250/450

綠燈：適用T-REX500/550/600/700/800大型直昇機

紅燈：適用T-REX250/450小型直昇機



Helicopter size selection and servo delay settings
大小直昇機模式與延遲量設定

Select by moving the rudder stick left and right
左右撥動方向舵選擇



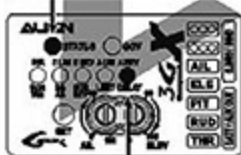
(2) The DELAY function is utilized when slower rudder servo causes tail hunting (wagging). This can be observed after a hovering pirouette comes to a stop. If tail hunting occurs, gradually increase DELAY value to eliminate it. For best performance, DELAY value should be kept as low as possible without tail hunting.

Setup method : Press and hold the SET button for 2 seconds to enter the setup mode, then press the SET button to select DELAY setup mode, as indicated by the lighting of DELAY LED. The choice of small or large helicopter is done by moving the transmitter rudder stick left or right while observing the color of the STATUS LED. For small helicopters STATUS LED will be red, and large helicopter will be green. The amount of servo delay is set by how far you push the rudder stick, followed by pushing the SET button.

(2) 使用速度較慢的尾舵伺服器容易產生追蹤現象，當直昇機停轉時，打方向舵使直昇機快速自轉，當方向舵回到中立點使直昇機停止自轉時，此時若發生追蹤現象，請增加控制延遲的設定量，一般而言在不產生追蹤現象的原則下控制延遲的設定量愈小愈好，否則尾舵的動作會變得遲緩。

設定方式：持按“SET”鍵2秒進入功能設定模式，選擇至DELAY選項，以方向舵搖桿選擇小型/迷您型電直，如：T-REX 250/450（STATUS為紅燈），或中大型直昇機如T-REX500/550/600/700/800（STATUS為綠燈），若要同時設定DELAY控制量時，則利用方向舵搖桿的位置來設定，搖桿由中立點推至“DELAY”燈開始閃爍時為0%，推至最大行程時控制量為100%，將搖桿推至所需的延遲量時保持不動，並按下“SET”鍵確認，即可同時設定直昇機模式與延遲量。

Green LED for T-REX550
T-REX550設定為綠燈

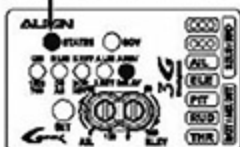


0% when DELAY LED begins flashing
DELAY燈開始閃爍時為0%

Gradually move the transmitter rudder stick until DELAY LED begins to flash, the delay value is 0% at this point.
緩推方向舵搖桿至“DELAY”燈開始閃爍時，延遲量為0%



Green LED for T-REX650
T-REX650設定為綠燈



Continue to move the rudder stick until desired delay value is needed, then press the SET button to register the setting. Maximum is 100% delay, with rudder stick pushed to the end.

方向舵推至最大行程時，延遲量為100%，將搖桿推至所需的延遲量，按下“SET”鍵確認



7. ANTI TORQUE COMPENSATION DIRECTION SETTING 反扭力補償正反向設定

To achieve consistent gyro gain on left and right, 3GX has built in anti-torque compensation function. User need to confirm if 3GX is mounted right side up or upside down.

Right side up: Installed with 3GX label facing up, anti-torque compensation set to positive (green STATUS LED).

Upside down: Installed with 3GX label facing down, anti-torque compensation set to negative (red STATUS LED).

為使陀螺儀左右感度一致，3GX內置反扭力補償功能，使用者需確認3GX為正裝或反裝。

正裝：安裝時3GX面板朝上，反扭力補償設為正向 (STATUS綠燈)。

反裝：安裝時3GX面板朝下，反扭力補償設為反向 (STATUS紅燈)。

Setup method: Press and hold the SET button for 2 seconds to enter setup mode, select until anti-torque compensation section, as indicated by lighting of all 5 setup mode LEDs. Using the rudder stick to select either positive anti-torque compensation (green STATUS LED) for right side up mounting, or negative anti-torque compensation (red STATUS LED) for upside down installation.

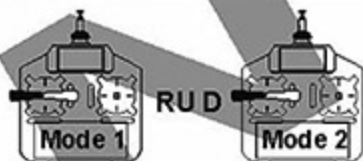
設定方式：持按"SET"鍵2秒進入功能設定模式，選擇至反扭力補償設定項，此時5類功能設定指示燈全亮，接著以方向舵桿選擇，當3GX正裝時，須設定為正向 (STATUS綠燈)；當3GX反裝時，須設定為反向 (STATUS紅燈)。

Green : Right side up mounting
Red : Upside down mounting
綠燈 : 3GX正裝，反扭力補償正向
紅燈 : 3GX反裝，反扭力補償反向



Anti Torque Compensation
direction setting
數位/類比模式

Select by moving the rudder stick left and right
左右撥動方向舵選擇



8. SENSITIVITY ADJUSTMENT 感度調整

For radio with built in gyro gain settings, gain can be adjusted directly. For example, 50%-100% setting on the radio translates to 0% - 100% gain in the heading lock mode; 50%-0% setting on the radio translates to 0%-100% gain in the normal (non-heading) lock mode.

Actual gain value differs amongst servos and helicopters. The goal is to find the maximum gain without tail hunting. This can only be done through actual flight tests.

The recommended starting point for transmitter's gyro gain setting should be 70~80% for hovering, 60~70% for idle-up. Value should be tuned under actual flight conditions by increasing to the maximum gain without tail hunting.

一般具有陀螺儀感度設定功能的遙控器，可直接進入GYRO功能選項進行感度值的設定，設定值50%則陀螺儀的感度為0，設定值50%~100%，則陀螺儀感度值為鎖定狀態的0~100%；設定值50%~0%，則陀螺儀感度值為非鎖定狀態的0~100%。

感度值的大小會隨著伺服機與直昇機的不同而有所差異，一般而言，在不產生追縱現象（直昇機尾部出現左右搖擺的情況）的前提下感度值愈高愈好，所以只能透過實際飛行的狀況來進行調整。

進入遙控器感度設定的選項，剛開始調整時建議先設定在70~80%左右，Idle up飛行時設定在60~70%左右，之後再依實際飛行的狀態再行修正，如果沒有追縱現象發生時可再調整高感度，若發生追縱現象時，則調低感度。



For radios (IE Futaba) using 0-100% as heading lock gain scales, the recommended gain setting is 30% to 35%.
For radio that uses the 50-100% scale (such as JR and Hitec), the recommended gain setting is 70% to 75%.

鎖定感度值為0~100%的遙控器，如Futaba，建議設定在30~35%左右；鎖定感度值為50~100%的遙控器，如JR、HITEC，建議感度值設定在70~75%左右。

SPECIFICATIONS 產品規格

1. Operating voltage range : DC 3.5V~8.4V
2. Operating current consumption : <80mA @ 4.8V
3. Rotational detection rate : $\pm 300^\circ/\text{sec}$
4. Rudder yaw detection rate : $\pm 600^\circ/\text{sec}$
5. Sensor resolution : 12bit
6. Operating temperature : $-20^\circ\text{C} \sim 65^\circ\text{C}$
7. Operating humidity : 0%~95%
8. Dimension/Weight : 36.5x25.2x15.6mm/11g
9. RoHS certification stamp

1. 適用電壓：DC 3.5V~8.4V
2. 消耗電流：<80mA @ 4.8V
3. 偵測側滾及前滾角速度： $\pm 300^\circ/\text{sec}$
4. 偵測尾舵角速度： $\pm 600^\circ/\text{sec}$
5. 感應器解析度：12bit(12位元)
6. 操作溫度： $-20^\circ\text{C} \sim 65^\circ\text{C}$
7. 操作濕度：0%~95%
8. 尺寸/重量：36.5x25.2x15.6mm/11g
9. 符合RoHS浪用規章

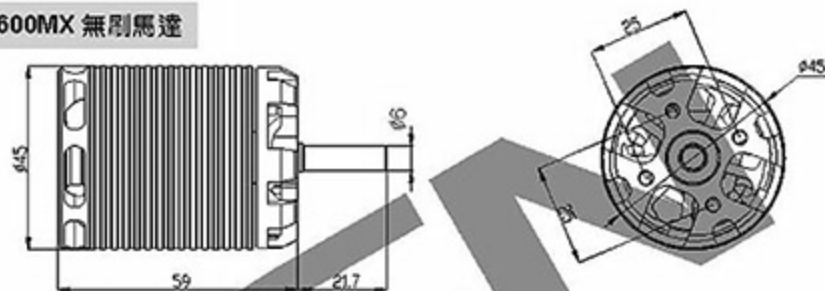
	Swashplate Settings 十字盤設定	3GX throttle calibration 3GX油門行程校正	Rudder Settings 尾舵設定	Flight Mode Setting 飛行特性設定
Enter Setup Mode 進入方式	Turn on transmitter, press/hold SET, power on heli, release SET before LEDs stop scrolling. 打開遙控器，按SET鍵，開機時電燈亮，鬆開遙控器之SET鍵。	Turn on TX, lower throttle all the way down, press/hold SET, power on heli, release SET after LEDs stop scrolling. 先開遙控器，將油門推至最低點，按SET鍵，開機時電燈亮，鬆開遙控器後按SET鍵。	With 3GX powered up, press SET for about one second. 在3GX運作狀態中，按SET鍵約一秒。	With 3GX powered up, push the rudder stick left or right, and hold the SET button for about one second. 在3GX運作狀態中將尾舵板至左邊或右邊，接著按SET鍵約一秒。
Setting 1 設定一	LED 燈號 LED1 Lit LED1 亮	LED1-5 all lit up LED1-5全亮	LED1 lit LED1 亮	STATUS flashes green 1 once STATUS閃綠燈一下
	Setting 程序 Mechanical Travel and Neutral point setting 機械行程與中立點設定	3GX throttle calibration 3GX油門行程校正	Wide/narrow servo band setting 寬/窄伺服帶設定	Cyclic pitch speed adjustment. 循環螺距速度調整
Setting Method 設定方式	Setup swashplate movement on TX, and set the right aileron cyclic pitch to 8 degrees. The ELE mixing ratio in SWASH menu can be set to the same value as ALL. 設定遙控器十字盤動作，並將右副翼螺距調整為8度，升降舵swash比率與副翼比率相同即可，設定完成後調整角度歸零。	Push throttle open fully to complete setup, indicated by flashing of LED1-5, and then enter normal operation condition. 將油門位置推至全開，設定完成，LED1-LED5閃爍，後進入系統正常狀況。	Set servo wide narrow band using rudder stick. Green LED for standard wide band servos. For narrow band servo, LED will be orange until rudder stick is pushed 3 times to confirm setting and status LED will turn to red. 由尾舵桿設定寬/窄伺服帶。STATUS綠燈為一般伺服帶時，必須注意設定窄帶伺服必須，STATUS當先亮橙燈，按三次後才會變紅燈。	Move aileron stick to increase/decrease the number of LEDs lit between LED1-LED5. More LEDs means faster rolls. Same methods applies to elevator or using elevator stick to control flip rate. Aileron and elevator roll rate need to remain close, with setting deviation to remain within 20%. 撥動副翼桿可以增加或減少LED1-LED5亮燈數量，亮燈越多，左右旋轉速度越快。同理撥動升降舵桿可以調整螺距速度。副翼及升降舵必須接近，設定時會自動將設定誤差控制在20%內。
Setting 2 設定二	LED 燈號 LED2 Lit LED2 亮	Elevator Travel Limit Setting 升降行程限制	LED2 lit LED2 亮	STATUS flashes green 2 twice STATUS閃綠燈兩下
	Setting 程序 Elevator Travel Limit Setting 升降行程限制	Push elevator stick forward to limit, and release. 將遙控器升降的搖桿往前推至最前位置，然後放開。	Digital/Analog Servo Selection 數位/類比伺服選擇	Elevator travel limit setting 升降行程限制設定
Setting Method 設定方式	Setup swashplate movement on TX, and set the right aileron cyclic pitch to 8 degrees. The ELE mixing ratio in SWASH menu can be set to the same value as ALL. 設定遙控器十字盤動作，並將右副翼螺距調整為8度，升降舵swash比率與副翼比率相同即可，設定完成後調整角度歸零。	Push elevator stick forward to limit, and release. 將遙控器升降的搖桿往前推至最前位置，然後放開。	Move rudder stick to select digital/analog servo. Green STATUS indicates digital servo, red indicates analog. 由尾舵桿設定數位/類比伺服。STATUS綠燈為數位伺服，紅燈為類比伺服。	While in this mode, elevator may deviate forward/backward by as much as 8 degrees + offset percentage. For example, LED displays 50% settings, total elevator travel will be 8+0.5*8=12 degrees. Set to a value with no mechanical binding at extreme end or keep default value at 70%. 進入後副翼會偏至8度+外偏值，有可能偏左或偏右，例如LED顯示設定為50%，總數量為8+0.5*8=12度，設定至機械不至干涉之極限值或保留預設70%。
Setting 3 設定三	LED 燈號 LED3 Lit LED3 亮	Elevator gyro setting 升降陀螺校正設定	LED3 lit LED3 亮	STATUS flashes green 3 twice STATUS閃綠燈三下
	Setting 程序 Elevator gyro setting 升降陀螺校正設定	Tilt heli forward and back while observing gyro correction direction. If reversed, move elevator stick until STATUS LED changes color to reverse gyro direction. 前後搖動機身，觀看陀螺修正方向，如果錯誤，撥動升降搖桿，改變STATUS LED燈號以改變陀螺修正方向。	Rudder Gyro NOR/REV Setting 尾舵陀螺正反設定	Aileron travel limit setting 副翼行程限制設定
Setting Method 設定方式	Setup swashplate movement on TX, and set the right aileron cyclic pitch to 8 degrees. The ELE mixing ratio in SWASH menu can be set to the same value as ALL. 設定遙控器十字盤動作，並將右副翼螺距調整為8度，升降舵swash比率與副翼比率相同即可，設定完成後調整角度歸零。	Tilt heli forward and back while observing gyro correction direction. If reversed, move elevator stick until STATUS LED changes color to reverse gyro direction. 前後搖動機身，觀看陀螺修正方向，如果錯誤，撥動升降搖桿，改變STATUS LED燈號以改變陀螺修正方向。	Yaw the heli left/right while observing gyro correction direction. If reversed, move rudder stick to change direction. 左右旋轉機身，觀看尾舵修正方向，如果反向，撥動尾舵搖桿，改變修正方向。	While in this mode, aileron may deviate left/right by as much as 8 degrees + offset percentage. For example, LED displays 50% settings, total aileron travel will be 8+0.5*8=12 degrees. Set to a value with no mechanical binding at extreme end or keep default value at 70%. 進入後副翼會偏至8度+外偏值，有可能偏左或偏右，例如LED顯示設定為50%，總數量為8+0.5*8=12度，設定至機械不至干涉之極限值或保留預設70%。
Setting 4 設定四	LED 燈號 LED4 Lit LED4 亮	Aileron Travel Limit Setting 副翼行程限制	LED4 lit LED4 亮	STATUS flashes green 4 once STATUS閃綠燈四下
	Setting 程序 Aileron Travel Limit Setting 副翼行程限制	Push aileron stick to extreme right, and release. 將副翼搖桿向右推至極限，然後將機身置中。	Rudder Servo Travel 尾舵行程量	Swashplate Dampening Setting 十字盤阻尼化設定
Setting Method 設定方式	Setup swashplate movement on TX, and set the right aileron cyclic pitch to 8 degrees. The ELE mixing ratio in SWASH menu can be set to the same value as ALL. 設定遙控器十字盤動作，並將右副翼螺距調整為8度，升降舵swash比率與副翼比率相同即可，設定完成後調整角度歸零。	Push aileron stick to extreme right, and release. 將副翼搖桿向右推至極限，然後將機身置中。	Move rudder stick to left/right until rudder at extreme end point, wait until STATUS change from green to red. 移動尾舵桿，移動尾舵至右行極限位置，稍候後，STATUS燈由綠轉紅時完成設定。	Move elevator stick to adjust collective pitch dampening level. Move aileron stick to adjust cyclic pitch dampening. More LED's indicates more dampening. 撥動升降舵桿可以調整集體螺距阻尼化程度，亮燈越多，阻尼化越多。撥動副翼桿可以調整循環螺距阻尼化程度，亮燈越多，阻尼化越多。
Setting 5 設定五	LED 燈號 LED5 Lit LED5 亮	Aileron gyro setting 副翼陀螺正反設定	LED5 lit LED5 亮	STATUS flashes green 5 once STATUS閃綠燈五下
	Setting 程序 Aileron gyro setting 副翼陀螺正反設定	Tilt heli left and right while observing gyro correction direction. If reversed, move aileron stick until STATUS LED changes color to reverse gyro direction. 左右搖動機身，觀看副翼修正方向，如果錯誤，撥動副翼桿，改變STATUS LED燈號以改變副翼修正方向。	Heli Size and Delay Value 電機模式與延遲量	Swashplate bump (acceleration) Setting 十字盤加速設定
Setting Method 設定方式	Setup swashplate movement on TX, and set the right aileron cyclic pitch to 8 degrees. The ELE mixing ratio in SWASH menu can be set to the same value as ALL. 設定遙控器十字盤動作，並將右副翼螺距調整為8度，升降舵swash比率與副翼比率相同即可，設定完成後調整角度歸零。	Tilt heli left and right while observing gyro correction direction. If reversed, move aileron stick until STATUS LED changes color to reverse gyro direction. 左右搖動機身，觀看副翼修正方向，如果錯誤，撥動副翼桿，改變STATUS LED燈號以改變副翼修正方向。	Move rudder stick to change STATUS color, green STATUS for large heli more, red STATUS for small heli more. Moving rudder stick to any one side to set delay. The amount of delay is determined by distance from center and keeps the position. Press EXIT to set. 由尾舵桿設定STATUS燈號，綠燈為大直升機模式，紅燈為小直升機模式，搖桿撥至任一邊並維持位置才以此模式設定延遲量，延遲量越多，後者就出，延遲量越多。	Move elevator stick to adjust collective pitch acceleration level. Move aileron stick to adjust cyclic pitch acceleration level. More LED's indicates more acceleration. If acceleration level exceeds 50%, check the BEC to ensure it can supply enough current to servos. Dedicated receiver battery is recommended for acceleration higher than 50%. 撥動升降舵桿可以調整集體螺距加速程度，亮燈越多，加速越多。注意集體螺距加速超過50%，必須注意BEC是否可提供足夠電流，有可能連接收器供電不足，直接供電才建議可調整至50%以上。
Setting 6 設定六	LED 燈號 LED 1-5 all lit up LED1-5全亮	Gyro install reverse setting 陀螺安裝正反設定	LED 1-5 all lit up LED1-5全亮	
	Setting 程序 Gyro install reverse setting 陀螺安裝正反設定	Use rudder stick to set gyro install position. Green STATUS is normal, red STATUS is install up side down. 用尾舵桿設定STATUS燈號，綠燈陀螺為正裝，反之紅燈為倒裝。		
Setting Method 設定方式	Setup swashplate movement on TX, and set the right aileron cyclic pitch to 8 degrees. The ELE mixing ratio in SWASH menu can be set to the same value as ALL. 設定遙控器十字盤動作，並將右副翼螺距調整為8度，升降舵swash比率與副翼比率相同即可，設定完成後調整角度歸零。	Use rudder stick to set gyro install position. Green STATUS is normal, red STATUS is install up side down. 用尾舵桿設定STATUS燈號，綠燈陀螺為正裝，反之紅燈為倒裝。		
Warnings 注意事項	After completing setting of 8 degrees SWASH, do not make further adjustments. If adjustment to helicopter's roll rate is needed, the adjustment must be made in the roll rate under flight mode's cyclic pitch section. 設定完8度的SWASH值，不可以再調整，如果要調整直升機滾轉速率，必須使用飛行特性設定功能的滾轉速率調整進行設定。			1. Flashing LED indicates 10%; fully lit LED indicates 20%. For example, LED1 and LED2 are fully lit while LED3 is flashing, this is translated to 2*20+10=50%. LED閃爍為10%，全亮為20%，例如LED1-LED2全亮，LED3閃爍，設定值為2*20+10=50%。 2. Move the stick to display the stick function's setting value. For example, moving aileron stick will result in LED1-LED5 displaying aileron's setting value. 撥動相應桿LED會自動顯示該桿設定值，例如副翼桿搖桿，LED1-5會顯示副翼設定值。

BATTERY 電池: ALIGN Li-Poly 22.2V 5200mAh

Motor Pinion Gear 馬達齒輪	Main Rotor Blade 主旋翼規格	Pitch 螺距	Current(A) approx. 電流(A)大約值	Throttle Curve 油門曲線	RPM approx 主旋翼轉速大約值	
11T (1:10.18)	520 Carbon Fiber Blades 520碳纖維主旋翼	Hover 停滯	+5°	16.5	0/50/65/85/100%	1980
		Idle 1	0°	23	85%Middle ϕ	2690
			0°	27	100/100/100/100/100%	2880
			$\pm 12^\circ$	52		2730
11T (1:10.18)	550 Carbon Fiber Blades 550碳纖維主旋翼	Hover 停滯	+5°	17.5	0/50/65/85/100%	1960
		Idle 1	0°	24	85%Middle ϕ	2650
			0°	29	100/100/100/100/100%	2820
			$\pm 12^\circ$	54		2680

NOTE: Please use a pitch gauge to adjust the pitch value. Incorrect excess pitch setting will result poor helicopter performance and reduce ESC's life and battery's life.

註: 請務必使用螺距規來量測調整螺距, 不正確的過大螺距設定不但無法發揮直昇機的特性, 反會影響到無刷調速器與電池的壽命。

RCM-BL600MX MOTOR RCM-BL600MX 無刷馬達**Specification 尺寸規格**

KV	KV值	1200KV(RPM/V)	Input voltage	輸入電壓	6S
Stator Arms	矽鋼片槽數	9	Magnet Poles	磁鐵極數	6
Max continuous current	最大持續電流	90A	Max instantaneous current	最大瞬間電流	150A(5sec)
Max continuous power	最大持續功率	2000W	Max instantaneous power	最大瞬間功率	3000W(5sec)
Dimension	尺寸	Shaft ϕ 6x45x80.7mm	Weight	重量	Approx. 320g

Illustration 接線示意圖

The motor rotates in different direction with different brand ESCs. If the wrong rotating direction happens, please switch any two cables to make the motor rotates in right direction.

由於各品牌電子變速器的馬達啟動轉向不盡相同, 若發生轉向錯誤時, 請將馬達與電子變速器的接線任兩條對調即可。

17. Castle Talon 90 Brushless ESC Instruction Manual Castle Talon 90 無刷調速器使用說明 **ALIGN****PRODUCT FEATURES 產品特點**

1. Brushless motor operation up to 90 amps with 6S (25.2V) max input.
 2. Up to 20 amp BEC output. Continuous rating of 9 amps.
 3. User selectable BEC voltage, 6 or 8 volts.
 4. Advanced governor modes and autorotate bailout capabilities may be accessed using Castle Link USB adapter (coupon included in this package) and free Windows software. (www.castlecreations.com)
1. 支援 6S (25.2V) 無刷馬達運作, 最大輸入為 90 安培。
2. BEC 最大輸出 20 安培, 持續 9 安培。
3. 使用者可調整選擇 BEC 輸出電壓, 6 伏或 8 伏。
4. 透過 Castle Link USB 適配器, 與免費的 Windows 軟件 (www.castlecreations.com), 可以使用進階定速模式與熄火降落緊急回復功能。

WIRING ILLUSTRATION 接線示意圖

Castle Talon 90 Brushless ESC
Castle Talon 90 無刷調速器



SPECIFICATION 產品規格

1. Operating Voltage : 3S Min 6S Max (12V-25.2V).
2. Continuous Current : 90 amps.
3. Peak Current : 140 amps for 5 seconds. With proper cooling and ESC exterior temp at or below 70C.
4. BEC output : 20 amp peak 9 amps continuous. Always check servo draw prior to flight.
5. Dimensions : 80(L) x 43 (W) x 18(H) mm.
6. Weight : 84.5g with 150mm power wires.
7. Max RPM : 320,000 divided by motor pole count.

1. 輸入工作電壓：3S ~6S (12V-25.2V)。
2. 輸出持續電流：90 amps。
3. 最高前電流：140安培持續5秒。需具有良好的散熱和ESC外部溫度等於或低於70°C。
4. BEC輸出：瞬間20安培，持續9安培。飛行前請務必檢查伺服器動作。
5. 尺寸：80(L) x 43 (W) x 18(H) mm。
6. 重量：84.5克包含150mm電源線。
7. 最高RPM：320,000除以馬達的極數。

INITIAL SETTINGS AND OPERATION 初始設置和操作

1. Throttle Type : Fixed-Endpoints
2. Throttle Response : 5 medium
3. Initial Spool-Up Rate : 5 medium
4. Head Speed Change Rate : 8 high
5. Low Voltage Cutoff Type : Soft Cutoff
6. PWM Rate : 12 kHz
7. Auto-Lipo Volts/Cell : 3.2 Volts/Cell
8. Cutoff Voltage : Auto-LiPo
9. BEC Voltage : 6.0V

1. 油門形式：固定行程
2. 油門反應：5 (中)
3. 緩啟動速率：5 (中)
4. 主旋翼轉速變換速率：8 (高)
5. 低電壓截止類型：緩斷電
6. PWM：12 kHz
7. Auto-Lipo Volts/Cell：3.2 Volts/Cell
8. 截止電壓：Auto-LiPo
9. BEC輸出電壓：6.0V

This controller is configured with settings chosen by Align Corporation for this heli and motor combination. No controller programming is required to operate your heli.

The ESC is configured to run your heli motor using a traditional helicopter throttle curve in your radio. Refer to your radio transmitter's instructions for directions.

The Talon 90 ESC requires a LOW throttle setting after power up to arm. Futaba users may have to reverse throttle channel operation for proper operation.

此無刷調速器的配置為針對亞拓直升機與馬達的設定。無須另外設定。

Talon 90 ESC 有一項於接電之後須為最低油門的保護措施。Futaba 的使用者需將油門通道設置為反向後才可以正常運作。

CHANGING USER SELECTABLE SETTINGS BY COMPUTER 用戶可透過電腦更改選擇的設置

This controller supports a number of helicopter throttle types including Castle's direct entry governor mode. Users may access these settings using a Castle Link USB adapter (A coupon for an adapter is included in this package) and Castle's freely downloadable Castle Link software. (www.castlecreations.com).

Most pilots prefer using the direct entry governor mode as it is extremely easy to set up and it offers them optimal performance. Please visit the Castle website for instructions on how to set up the advanced programmable features of your Castle Talon.

此調速器支援多種的直升機油門類型，包括 Castle 提供的定速模式。使用者也可以透過 Castle Link USB 適配器與提供免費下載的 Castle Link 軟體 (www.castlecreations.com) 來變更設定。

許多飛行員習慣使用定速模式，因為它容易設定，並且為他們提供了最佳的性能。

請參閱 Castle 網站的說明，以了解如何進一步設置 Castle Talon 的功能。

CHANGING USER SELECTABLE SETTINGS BY TRANSMITTER 用戶可由遙控器更改選擇的設置

Once ESC is connected to a motor and radio receiver, follow these steps to enter programming mode and change selected values.

1. Power ESC with TX throttle stick (stick) in the top position (full throttle). LED will repeat a quick single flash.
2. Move stick to the middle. Talon will emit a short tone, and LED repeats a quick double flash. Repeat high / medium through to a triple flash.
3. ESC sounds four short tones, and the LED will repeat a long single flash.
4. Step through settings and values by answering "Yes" (full throttle) or "No" (low throttle). The setting and value are "Flashed" out by the LED. Example: setting #3, value #2, = 3 beeps/flashes, then 2 beeps/flashes. Answering "NO" moves to the next value. A "YES" answer is signaled by rapid LED flashes and a constant beep.
5. Move the stick to the middle position to move to next setting. Repeat steps 4 and 5 as needed.
6. Once the desired settings are entered, remove, then reconnect power. Arm speed control as normal.

一旦ESC連接到馬達和接收機，請按照下列步驟操作，進入設定模式，並改變所選的數值。

步驟1. 遙控器油門桿置於最高位置 (全開) 並開啓 Castle Talon ESC 電源。LED 將重複的快速閃爍一次。

步驟2. 將油門桿置於中間。Castle Talon ESC 會發出短促的提示音，LED 將重複的快速閃爍二次。再重複上述步驟 → 高油門 → 中油門進入快速閃爍三次。

步驟3. Castle Talon ESC 會發出四短音，LED 會重複長閃爍一次。

步驟4. 藉由回答 "是" (全油門) 或 "否" (低油門) 的步驟來改變設置選項和數值。設置選項與數值由 LED 的 "閃爍" 表示。例如：設置選項 # 3 數值 # 2 會以 3 次嗶叫 / 閃爍，接著 2 次嗶叫 / 閃爍來表示。回答 "否" 來移動到下一個數值。回答 "是" 選擇該數值後 LED 會快速的閃爍，並持續的發出嗶聲來表示。

步驟5. 將油門桿移動到中間位置來移動到下一個設置選項。根據需要重複步驟4和5。

步驟6. 一旦輸入與刪除所需的設置，然後重新連接電源。調速器的開機聲音就會回到正常。

Setting 設置選項	Battery cell cutoff voltage 電池低電壓保護	Brake Type 煞車模式	Low Voltage Cutoff Type 低電壓保護斷電模式	PWM Switching Rate PWM 頻率
Value 1 數值 1	3.0V	Only in fixed wing mode 僅限於固定翼模式	Hard 急斷電	8kHz
Value 2 數值 2	3.1V	Only in fixed wing mode 僅限於固定翼模式	Soft (factory setting) 緩斷電 (初始設定)	12kHz (factory Setting) 12kHz (初始設定)
Value 3 數值 3	3.2V (Factory setting) 3.2V (初始設定)	Only in fixed wing mode 僅限於固定翼模式	RPM decrease RPM 減少	16kHz
Value 4 數值 4	3.3V	Only in fixed wing mode 僅限於固定翼模式	Pulsing throttle 油門間歇性輸出	—
Value 5 數值 5	3.4V	Only in fixed wing mode 僅限於固定翼模式	—	—
Value 6 數值 6	DISABLED 禁用	Brake disabled (factory setting) 無煞車 (初始設定)	—	—

1. Always refer to battery vendor's instructions for voltage setting.
2. Refer to motor manufacturer's instructions for frequency setting.

1. 請務必參閱電池供應商所標示的電壓設定。

2. 請參閱馬達製造商的標示頻率設定。

Step1 步驟1

Turn on Transmitter, and then receiver power.

先開啓遙控器電源，再開啓接收器電源。

Step2 步驟2

3GX Flybarless system will go through initialization process, as indicated by flashing of all LED's. Do not move the helicopter or transmitter sticks until initialization process completes.

此套3GX Flybarless控制器指示燈STATUS及DIR~A.REV會閃動，請勿移動直昇機與搖桿，以利陀螺儀感應器進入初始化程序。

Step3 步驟3

The completion of initialization process is indicated by the rapid up and down motion of swashplate 3 times while remaining level. Should the swashplate jumps up and down at a tilted position, the flybarless system initial setup need to be performed again. (Refer to page 23: Flybarless system initial setup)

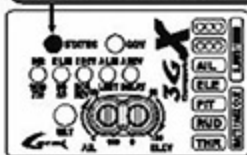
The pitch of helicopter will remain locked until successful initialization. If the initialization process is unable to complete, with STATUS LED blinking red, Re-check all connections, and perform another reboot with helicopter remain stationary. Following successful initialization process, green STATUS LED indicates rudder is in heading lock mode, while red LED indicates normal non-heading mode. (Refer to P.32 Gain Adjustment)

如左圖示，初始化完成後，十字盤會保持水平上下小幅度跳動三次，表示完成開機程序；如十字盤為傾斜跳動三次，則表示設定錯誤，須進入無平衡系統重新設定。（參考P.23 無平衡系統設定）

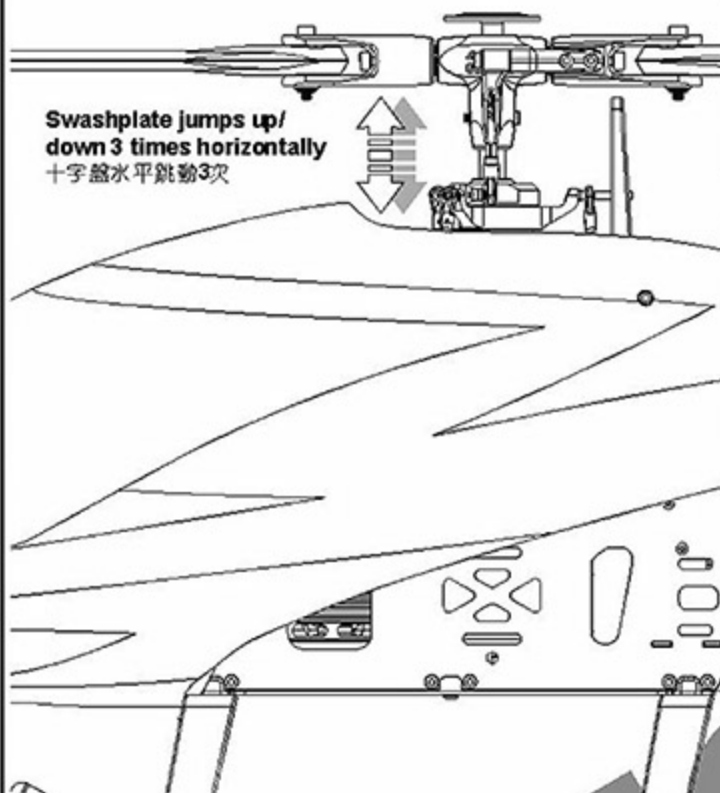
完成開機前直昇機螺絲固定無法動作，如果一直無法完成開機程序STATUS紅燈閃爍，請檢查開機時直昇機是否靜止或訊號線未接妥，確認後重新開機。正常開機後，STATUS亮綠燈表示尾舵為鎖定模式，亮紅燈為非鎖定模式。（請參照P.32感度調整）

Green = rudder in heading lock mode
Red = rudder in normal mode

綠燈為尾舵鎖定模式
紅燈為尾舵非鎖定模式



Swashplate jumps up/
down 3 times horizontally
十字盤水平跳動3次



Swashplate jumps up and
down 3 times horizontally
represents successful
initialization.
十字盤水平跳動三次代表正常開機



Swashplate jumps up and
down 3 times tilted
represents setup error.
十字盤傾斜跳動三次代表設定
錯誤



Swashplate correction
direction
十字盤修正方向

十字盤修正方向

十字盤修正方向

十字盤修正方向

十字盤修正方向

十字盤修正方向

十字盤修正方向

十字盤修正方向

十字盤修正方向

十字盤修正方向

十字盤修正方向

十字盤修正方向

十字盤修正方向

十字盤修正方向

十字盤修正方向

十字盤修正方向

十字盤修正方向

十字盤修正方向

十字盤修正方向

十字盤修正方向

十字盤修正方向

十字盤修正方向

十字盤修正方向

十字盤修正方向

十字盤修正方向

十字盤修正方向

十字盤修正方向

十字盤修正方向

十字盤修正方向

十字盤修正方向

十字盤修正方向

十字盤修正方向

十字盤修正方向

Step4 步驟4

Tilt the helicopter forward and swashplate should tilt back to compensate. If reversed, perform the flybarless initial setup again and adjust the elevator reverse setting (Refer to P.25: E:REV setup)

將直昇機往前傾，陀螺儀應將十字盤向後修正，如果反向，重新進入Flybarless設定模式設定升降舵陀螺儀修正方向。（請參考P.25:E.REV升降舵陀螺儀修正方向設定模式）

Helicopter tilting direction
機體傾斜方向

機體傾斜方向

機體傾斜方向

機體傾斜方向

機體傾斜方向

機體傾斜方向

機體傾斜方向

機體傾斜方向

機體傾斜方向

機體傾斜方向

機體傾斜方向

機體傾斜方向

機體傾斜方向

機體傾斜方向

機體傾斜方向

機體傾斜方向

機體傾斜方向

機體傾斜方向

機體傾斜方向

機體傾斜方向

Helicopter tilting direction
機體傾斜方向

機體傾斜方向

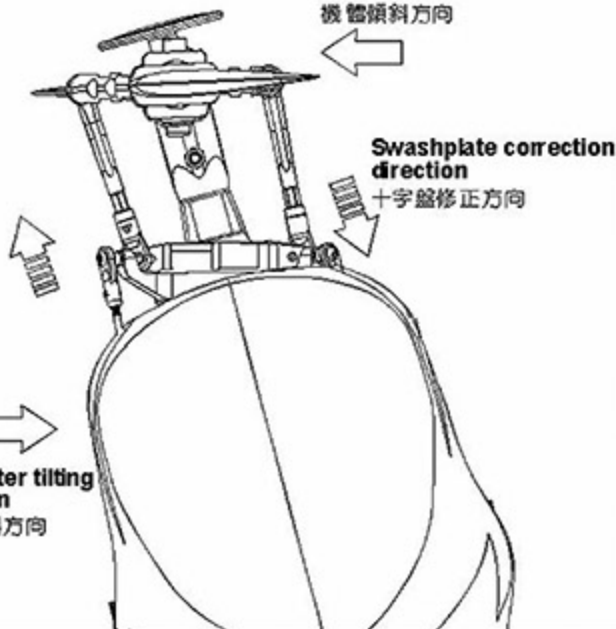
機體傾斜方向

機體傾斜方向

機體傾斜方向

機體傾斜方向

Helicopter tilting direction
機體傾斜方向



Swashplate correction direction
十字盤修正方向

Helicopter tilting direction
機體傾斜方向

Step 5 步驟 5

Tilt the helicopter to the right and swashplate should tilt left to compensate. If reversed, perform the flybarless initial setup again and adjust the aileron reverse setting (Refer to P.26: A:REV setup)

將直昇機往右傾，陀螺儀應將十字盤向左修正，如果反向，重新進入 Flybarless 設定模式設定副翼陀螺修正方向。(如左圖所示：參考 P.26: A:REV 副翼陀螺修正反向設定模式)

Step 6 步驟 6

With throttle stick all the way up (and down), and cyclic stick all the way left/right and up/down, check for any binding on the swashplate. If binding occurs, perform the flybarless initial setup again and adjust the endpoint limits.

將油門搖桿推到最高及最低，並將搖桿左右及前後推到底，十字盤動作是否流暢，如果不是必須重新進入 Flybarless 設定模式裏設定行程。

Step 7 步驟 7

Check the center of gravity (CG) and adjust component placement until CG point is right on the main shaft of the helicopter.

檢視直昇機重心是否適當請先調整直昇機重心位置至主軸中心線下方位置。

Step 8 步驟 8

With all above steps checked, restart the system and begin flight test. 確定所有功能正常，重新開機，完成開機程序後進入飛行測試。

HELICOPTER CG CHECK PROCEDURE 直昇機機體重心檢視方式

After the battery is assembled, hold the helicopter as shown. Once the helicopter stops rotating, the helicopter's CG can be seen at where the head is pointing relative to the main shaft.

將電池固定於電池座後，將直昇機如圖示舉起，等待直昇機停止轉動後檢視機頭方向，正確重心應落在機身（主軸附近）位置。

Adjust the frame's CG within +/- 60 degrees from level.

以水平線上下夾角 60° 內為適當的範圍來調整機體的重心。



19. FLIGHT ADJUSTMENT AND SETTING 飛行動作調整與設定

AIGN

PLEASE PRACTICE SIMULATION FLIGHT BEFORE REAL FLYING 飛行前請事先熟練電腦模擬飛行

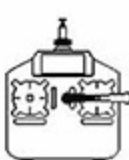









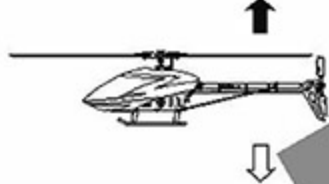

A safe and effective practice method is to use the transmitter flying on the computer through simulator software sold on the market. Do a simulation flight until you familiarize your fingers with the movements of the rudders, and keep practicing until the fingers move naturally.

1. Place the helicopter in a clear open field and the tail of helicopter point to yourself.
2. Practice to operate the throttle stick (as below illustration) and repeat practicing "Throttle high/low", "Aileron left/right", "Rudder left/right", and "Elevator up/down".
3. The simulation flight practice is very important, please keep practicing until the fingers move naturally when you hear operation orders being call out.

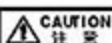
在還沒瞭解直昇機各動作的操控方式前，嚴禁實機飛行，請先進行電腦模擬飛行的練習，一種最有效、最安全的練習方式，就是透過市面販售的模擬軟體，以遙控器在電腦上模擬飛行，熟悉各種方向的操控，並不斷的重複，直到手指可熟練的控制各個動作及方向。

1. 將直昇機放在空曠的地方，並將直昇機的機尾對準自己。
2. 練習操作遙控器的各搖桿（各動作的操作方式如下圖），並反覆練習油門高/低、副翼左/右、升降舵前/後及方向舵左/右操作方式。
3. 模擬飛行的練習相當重要，請重複練習直到不需思索，手指能自然隨著喊出的指令移動控制。



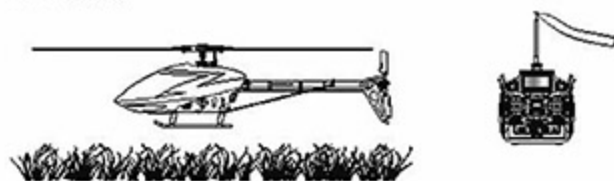
Mode 1	Mode 2	Illustration 圖示
 <p>Aileron 副翼</p> 	 <p>Elevator 升降/前後</p> 	 <p>Move left 左移 Rotate left 左翻 Move right 右移 Rotate right 右翻</p>
 <p>Throttle 油門</p> 	 <p>Rudder 方向</p> 	 <p>Fly forward 前進 Forward rotate 前翻 Fly backward 後退 backward rotate 後翻</p>  <p>Ascent 上升 Descent 下降</p>  <p>Turn right 右旋 Turn left 左旋</p>

FLIGHT ADJUSTMENT AND NOTICE 飛行調整與注意



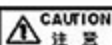
- Check if the screws are firmly tightened.
- Check if the transmitter and receivers are fully charged.
- 再次確認→螺絲是否鎖固?
- 發射器和接收器電池是否足夠。

• When arriving at the flying field.
當抵達飛行場



If there are other radio control aircraft at the field, make sure to check their frequencies and tell them what frequency you are using. Frequency interference can cause your model, or other models to crash and increase the risk of danger.
假使飛行場有其他遙控飛機，請確認他們的頻率，並告知他們您正在使用的頻率，相同的頻率會造成干擾導致失控和大大地增加風險。

STARTING AND STOPPING THE MOTOR 啟動和停止馬達



First check to make sure no one else is operating on the same frequency. Then place the throttle stick at lowest position and turn on the transmitter.

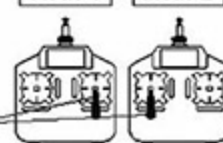
首先確認附近沒有其他相同頻率的使用，然後打開發射器將油門搖桿推到低點。



Check if the throttle stick is set at the lowest position.

確認油門搖桿是在最低的位置。

Mode 1 Mode 2



- Check the movement.
動作確認



ON! Step1
First turn on the transmitter.
先開啟發射器

- Are the rudders moving according to the controls?
- Follow the transmitter's instruction manual to do a range test.
方向是否隨著控制方向移動?
根據發射器說明書進行距離測試。



ON! Step2
Connect to the helicopter power
接上直昇機電源

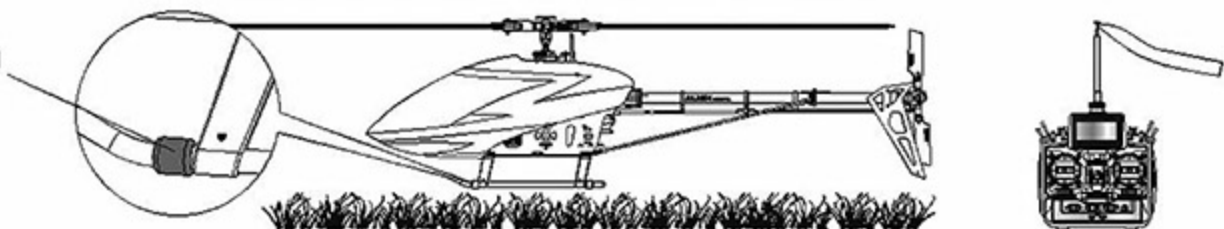


OFF! Step3
Reverse the above orders to turn off.
關閉電源時請依上述操作動作反執行。

This procedure is best performed on soft surfaces such as grass. The use of rubber skid stopper is recommended on hard surface to prevent vibration feedback from the ground to 3GX, resulting in over-corrections.

將直昇機置於柔軟地面上，建議硬地起飛腳架裝上避震墊圈。避免升空前腳架與過硬的地面震動太大反饋至機身上的3GX，影響無平衡系統升空前溫度修正。

Rubber skid stoppers installed
裝上避震墊圈



If swashplate should tilt prior to lift off, do not try to manually trim the swashplate level. This is due to vibration feedback to the 3GX, and will disappear once helicopter lifts off the ground. If manual trim is applied, helicopter will tilt immediately after liftoff.

直昇機離地前，十字盤可能因3GX受震動的反饋，使十字盤有傾斜的情形。此時請勿刻意將十字盤修正為水平狀態。此現象只要離地升空時立即解除，可平穩升空；若刻意將十字盤修正為水平時，反而會造成感應器過度修正，一離地即偏向修正方向的危險。

MAIN ROTOR ADJUSTMENTS 主旋翼雙槳平衡調整

1. Before adjusting, apply a red piece of tape on one blade, or paint a red stripe with a marker or paint to identify on blade.
2. Raise the throttle stick slowly and stop just before the helicopter lifts-off ground. Look at the spinning blades from the side of the helicopter.
3. Look at the path of the rotor carefully. If the two blades rotate in the same path, it does not need to adjustment. If one blade is higher or lower than the other blade, adjust the tracking immediately.

1. 調整前先在其中一支主旋翼的槳端，貼上有顏色的貼紙或畫上顏色記號，方便雙槳調整辨識。
2. 慢慢的推起油門搖桿到高點並且停止，在直昇機離地前，從直昇機側面觀察主旋翼轉動。
3. 仔細觀察旋翼軌跡(假如兩支旋翼移動都是相同軌跡，則不需要調整。可是如果一支旋翼較高或較低產生“雙槳”的情形時，則必須立刻調整軌跡)。

A. When rotating, the blade with higher path means the pitch too big. Please shorten DFC ball in for regular trim.

B. When rotating, the blade with lower path means the pitch too small. Please lengthen DFC ball in for regular trim.

A. 旋翼轉動時較高軌跡的主旋翼表示螺距(PITCH)過大，請調短DFC連桿修正。

B. 旋翼轉動時較低軌跡的主旋翼表示螺距(PITCH)過小，請調長DFC連桿修正。



Tracking adjustment is very dangerous, so please keep away from the helicopter at a distance of at least 10m.

調整軌跡非常危險，請於距離飛機最少10公尺的距離。

Color mark
有標示記號的主旋翼



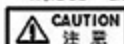
In correct tracking may cause vibrations. Please repeat adjusting the tracking to make sure the rotor is correctly aligned. After tracking adjustment, please check the pitch angle is approx. +5° when hovering.

不正確的旋翼軌跡會導致震動，請不斷重複調整軌跡，使旋翼軌跡精準正確。在調整軌跡後，確認一下Pitch角度在停旋時應為大約+5°。

FLIGHT ADJUSTMENT AND NOTICE 飛行調整與注意

During the operation of the helicopter, please stand approximately 5M diagonally behind the helicopter.

飛行時，請站在直昇機後方5公尺。



- Make sure that no one or obstructions in the vicinity.
 - For flying safety, please carefully check if every movement and directions are correct when hovering.
- 確認鄰近地區沒有人和障礙物。
為了飛行安全，您必須先確認停機時各項操控動作是否正確。



Do not attempt until you have some experiences with the operation of helicopter.

嚴禁無熟練操控飛行經驗者操控飛行。

STEP 1 THROTTLE CONTROL PRACTICE 油門控制練習

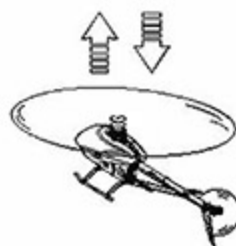
When the helicopter begins to lift-off the ground, slowly reduce the throttle to bring the helicopter back down. Keep practicing this action until you control the throttle smoothly.

當直昇機開始離地時，慢慢降低油門將飛機降下。
持續練習飛機從地面上升和下降直到您覺得油門控制很順。

Mode 1



Mode 2

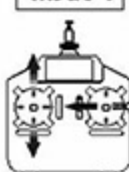


STEP 2 AILERON AND ELEVATOR CONTROL PRACTICE 副翼和升降控制練習

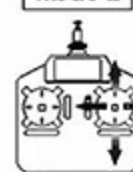
1. Raise the throttle stick slowly.
2. Move the helicopter in any direction back, forward, left and right, slowly move the aileron and elevator sticks in the opposite direction to fly back to its original position.

1. 慢慢升起油門搖桿。
2. 使直昇機依指示：移動向後/向前/向左/向右，慢慢的反向移動副翼和升降搖桿並將直昇機回到原來位置。

Mode 1



Mode 2



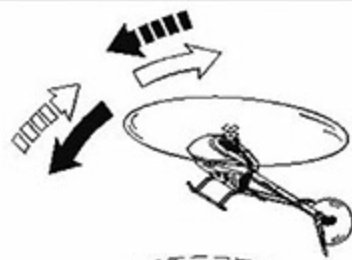
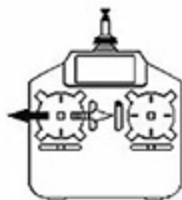
- If the nose of the helicopter moves, please lower the throttle stick and land the helicopter. Then move your position diagonally behind the helicopter 5M and continue practicing.
- If the helicopter flies too far away from you, please land the helicopter and move your position behind 5m and continue practicing.

當直昇機機頭偏移時，請降低油門並且降落，然後移動自己的位置到直昇機的正後方5公尺再繼續練習。
假如直昇機飛離你太遠，請先降落直昇機，並到直昇機後5公尺再繼續練習。

STEP 3 RUDDER CONTROL PRACTICING 方向舵操作練習

1. Slowly raise the throttle stick.
2. Move the nose of the helicopter to right or left, and then slowly move the rudder stick in the opposite direction to fly back to its original position.

1. 慢慢升起油門搖桿。
2. 將直昇機機頭移動左或右，然後慢慢反向移動方向舵搖桿並將直昇機飛回原本位置。



STEP 4

After you are familiar with all actions from Step 1 to 3, draw a circle on the ground and practice within the circle to increase your accuracy.

You can draw a smaller circle when you get more familiar with the actions.

當您覺得 step 1~3 動作熟悉了，在地上畫個圈並在這個圈內的範圍內練習飛行，以增加您操控的準確度。

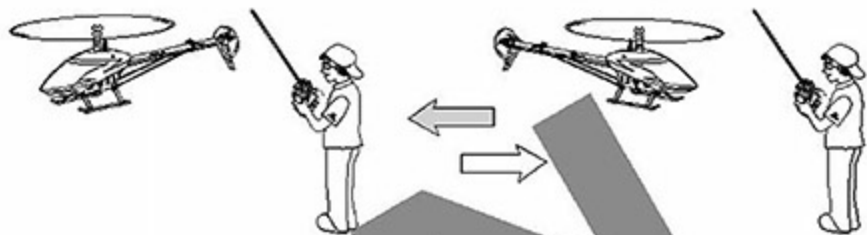
當您更加習慣操作動作，您可以畫更小的圈。



STEP 5 DIRECTION CHANGE AND HOVERING PRACTICE 改變直昇機方向和練習停懸

After you are familiar with Step 1 to 4, stand at side of the helicopter and continue practicing Step 1 to 4. Then repeat the Step 1 to 4 by standing in front of the helicopter.

當您覺得 step 1~4 動作熟悉了，站在面對直昇機側邊並繼續練習 step 1~4。之後，站在直昇機機頭前方重複步驟練習。



20.3GX FLYBARLESS FLIGHT TEST PROCEDURE 飛行測試程序

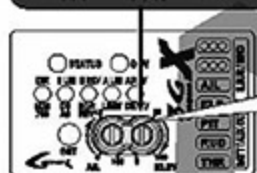
ALIGN

With the helicopter hovering, observe for any rapid left/right or forward/aft oscillations. If forward/aft oscillation is observed, land the helicopter, turn the ELE gain dial counterclockwise gradually, and test again. Do this until oscillation disappears.

先將直昇機以停懸飛行，觀察直昇機左右及前後是否有不正常快速抖動現象。如果前後有抖動情形，則逆時針調降升降舵感度調整旋鈕，以減少陀螺儀前後修正感度。

SET THE DIAL TO 12 O'CLOCK POSITION AS STARTING POINT 建議初次飛行設於12點鐘方向

Elevator gain adjustment dial
升降舵感度調整旋鈕



Decrease ELE gain
調降ELE感度



Forward/back oscillation
前後晃動

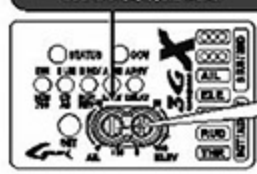


If left/right oscillation is observed, land the helicopter, turn the AIL gain dial counterclockwise gradually, and test again. Do this until oscillation disappears.

如果為左右抖動，逆時針調降副翼感度調整旋鈕，以減少陀螺儀左右修正感度。

SET THE DIAL TO 12 O'CLOCK POSITION AS STARTING POINT 建議初次飛行設於12點鐘方向

Aileron gain adjustment dial
副翼感度調整旋鈕



Decrease AIL gain
調降AIL感度



Left/right oscillation
左右晃動



FORWARD STRAIGHT LINE FLIGHT 前進直線航道飛行

After hovering, proceed to fast forward flight. Should there be similar oscillation, please reduce elevator gain. Should the helicopter pitch up or experience slow response during flight, increase elevator gain. Repeat this process until ideal gain value is achieved. Similar method is used to set the aileron gain. After adjusting gyro gains, adjust the roll rate in 3GX flight mode settings based on your preference. Higher the roll rate, the faster the roll/flips are. Pilot can also adjust the cyclic EXP setting for the preferred stability. After all adjustments are completed, the pilot can enjoy the stability of slow flight and the fast agility from flybarless system.

停懸完後可快速前進飛行，同樣的如果有不正常抖動時，請將升降舵感度調小，飛行時如果有機頭向上仰起或反應緩慢現象時，請將感度調大，重複測試將感度調整至最理想值，同樣方式可調整副翼感度旋鈕。調整完陀螺儀感度，可依據飛行習慣進入3GX飛行特性設定調整滾轉速率，調整越大，前後及左右滾轉速度越快，使用者也可依據個人經驗調整舵面EXP以增加停旋穩定性。完成所有調整後，就可享受Flybarless所提供低速飛行的穩定性及高速時的靈活性。



Forward Flight
前進飛行



	Problem 狀況	Cause 原因	Solution 對策
Blade Tracking 雙槳平衡	Tracking is Off 雙槳	Pitch linkage rods are not even length PITCH連桿長短調整不平均	Adjust length of DFC ball link. 調整 DFC 連桿球長度
Hover 停懸	Head speed too low 主旋翼轉速偏低	Excessive pitch 主旋翼的PITCH偏高	Adjust DFC ball link to reduce pitch by 4 to 5 degrees. Hovering head speed should be around 1750RPM. 調整 DFC 連桿球降低Pitch約 +4-5度 (停懸時主旋翼需為約1750RPM)
		Hovering throttle curve is too low 停懸點油門曲線過低	Increase throttle curve at hovering point on transmitter (around 65%) 調高停懸點油門曲線(約65%)
	Head speed too high 主旋翼轉速偏高	Not enough pitch 主旋翼的PITCH偏低	Adjust DFC ball link to increase pitch by 4 to 5 degrees. Hovering head speed should be around 1750RPM. 調整 DFC 連桿球調高Pitch約 +4-5度 (停懸時主旋翼需為約1750RPM)
		Hovering throttle curve is too high 停懸點油門曲線過高	Decrease throttle curve at hovering point on transmitter (around 65%) 調低停懸點油門曲線(約65%)
Rudder Response 尾舵反應	Drifting of tail occurs during hovering, or delay of rudder response when centering rudder stick. 停懸時尾翼向某一邊偏移，或發動方向舵並回復到中立點時，尾翼產生延遲，無法停頓在所空制位置上。	Rudder neutral point improperly set 尾中立點設定不當	Reset rudder neutral point 重設尾中立點
	Tail oscillates (hunting, or wags) at hover or full throttle 停懸或全油門時尾翼左右來回搖擺。	Rudder gyro gain too low 尾舵陀螺感度偏低	Increase rudder gyro gain 增加尾舵陀螺感度
Oscillation during flight 飛行抖動	Forward/aft oscillation when elevator is applied 升降舵打舵動作時，機體前後抖動	Elevator gyro gain too high. 升降舵陀螺感度過高，產生追蹤現象	Turn the ELE gain dial on control box counterclockwise, 10 degrees at a time until oscillation is eliminated. 逆時針調整控制器上的升降舵感度調整旋鈕，以每次調整約10度的方式，調整至適當位置
	Helicopter front bobbles (nods) during forward flight 直線飛行時，機頭點頭	Worn servo, or slack in control links 伺服器老化，控制鏈條有虛位	Replace servo, ball link, or linkage balls. 更換伺服器、連桿球、球頭
	Left/right oscillation when aileron is applied 副翼打舵動作時，機體左右抖動	Aileron gyro gain too high 副翼陀螺感度過高，產生追蹤現象	Turn the AIL gain dial on control box counterclockwise, 10 degrees at a time until oscillation is eliminated. 逆時針調整控制器上的副翼感度調整旋鈕，以每次調整約10度的方式，調整至適當位置
	Elevator input causes helicopter to drift 升降舵動作飄移	Worn servo, or slack in control links 伺服器老化，控制鏈條有虛位	Replace servo, ball link, or linkage balls. 更換伺服器、連桿球、球頭
Drifting during flight 飛行飄移	Helicopter pitches up during forward flight 直線飛行機頭上揚	Elevator gyro gain too low 升降舵陀螺感度偏低	Turn the ELE gain dial on control box clockwise, 10 degrees at a time until drifting is eliminated. 順時針調整控制器上的升降舵感度調整旋鈕，以每次調整約10度的方式，調整至適當位置
	Aileron input causes helicopter to drift 副翼動作飄移	Aileron gyro gain too low 副翼陀螺感度偏低	Turn the AIL gain dial on control box clockwise, 10 degrees at a time until drifting is eliminated. 順時針調整控制器上的副翼感度調整旋鈕，以每次調整約10度的方式，調整至適當位置
Control Response 動作反應	Slow Forward/Aft/Left/Right input response 前後左右飛行動作反應過慢	Roll rate too low 滾轉速率偏低	Adjust roll rate within 3GX flight mode setting. 調整3 GX飛行特性設定內的滾轉速率值
	Sensitive Forward/Aft/Left/Right input response 前後左右飛行動作反應過快	Roll rate too high 滾轉速率偏高	Adjust roll rate within 3GX flight mode setting. 調整3 GX飛行特性設定內的滾轉速率值

If above solution does not resolve your issues, please check with experienced pilots or contact your Align dealer.

※在做完以上調整後，仍然無法改善情況時，應立即停止飛行並向有經驗的飛手諮詢或連絡您的經銷商。

- Q&A 1** **Pitches up during fast forward flight.**
 (1) Elevator gyro gain too low, increase the elevator gain by gradually turning the ELE dial clockwise.
 (2) Elevator trim not centered. Check if helicopter is tilting backwards during hover.
 快速飛行時直昇機傾向上揚。
 (1) ELE感度不足，請將ELE感度旋鈕順時針方向調高。
 (2) ELE中立點不對，請測試停懸時，直昇機中立點是否朝後。
- Q&A 2** **Insufficient gain during flight, but increasing gain results in oscillation.**
 (1) Check and resolve possible mechanical vibration from helicopter.
 (2) Use softer 3GX mounting foam, or double up the stock 3GX foam.
 (3) Relocate the 3GX to location less prone to vibration.
 飛行時感度不足，將感度調高直昇機會抖動。
 (1) 檢查直昇機是否有異常震動，如果是請先修復機體。
 (2) 用材質較軟或兩片雙面膠泡棉固定3GX。
 (3) 將3GX換裝於直昇機較不震動的位置。
- Q&A 3** **Drifting during 3D maneuvers.**
 (1) Increase AIL and ELE gain by turning both dials clockwise.
 (2) Check if cyclic servos are too slow (minimum 0.08sec / 60 degrees)
 3D飛行時有飄移現象。
 (1) 將升降與副翼感度旋鈕順時針方向調高。
 (2) 檢查推動十字盤的伺服器是否過慢（建議選擇動作速度0.08sec/60度以內規格）。
- Q&A 4** **Unstable hover, control inputs are too sensitive.**
 Can adjust the roll rate within 3GX Flight Mode settings, as well as increase the EXP setting to increase hovering stability. For CCPM machines, decrease swashplate mixing percentage on the transmitter. In addition, exponential can be added to aileron and elevator channels.
 停懸時不穩定，有動作過靈敏現象。
 可調低3GX飛行風格各設定內的滾轉速率值，並增加EXP的設定，以提高停懸的穩定性。
- Q&A 5** **Helicopter oscillates after fast forward flight or after tumbles.**
 (1) Gradually reduce both AIL and ELE gain by turning them counterclockwise, 10 degrees at a time.
 (2) Use harder head dampener.
 直昇機高速飛行或滾轉後停止時，機身會有輕微抖動現象。
 (1) 逆時針調整3GX上的升降舵感度調整旋鈕，以每次調整約10度的方式，調整至適當位置。
 (2) 主旋翼槓軸及主輪軸的橡膠過軟，請換用較硬的橡膠。
- Q&A 6** **While in flybarless setup mode, unable to complete ELE/AIL endpoint and reverse settings.**
 Disable all trims/subtrims on the transmitter.
 進入Flybarless設定，無法順利完成ELE、AIL行程、ELE或AIL的REV變速。
 未取消遙控器的內外微調。
- Q&A 7** **Incorrect CCPM mixing after initial flybarless setup.**
 (1) Trim/subtrims not zeroed out on transmitter.
 (2) After any trim adjustments are done on transmitter, the initial flybarless setup procedure need to be performed again.
 (3) Please turn off the swash ring, Linkage Compensation, Swash Mix, Mixing, Acceleration and other collective mixing functions in the transmitter.
 完成Flybarless設定，但CCPM混控動作不正常。
 (1) 進入Flybarless設定時未將外微調歸零。
 (2) 遙控器變更內微調，未重新進行Flybarless設定。
 (3) 請關閉遙控器內Swash ring、Linkage Compensation、Swash Mix、Mixing、Acceleration等混控功能。
- Q&A 8** **3GX flybarless system unable to power up.**
 (1) Check proper voltage source.
 (2) Check AIL/ELE/PIT connections between flybarless control unit and receiver.
 (3) Check the power connection of 3GX and receiver.
 3GX Flybarless無法開機。
 (1) 檢查系統電源是否正常。
 (2) 檢查AIL、ELE及PIT的訊號線和接收器是否正常連接。
 (3) 檢查3GX與接收器間電源線是否正常連接。
- Q&A 9** **3GX flybarless system powers up with LED flashing, but swashplate did not jump 3 times, pitch is locked, unable to complete the initialization process.**
 (1) Possible movement during initialization process. Make sure helicopter is absolutely stationary.
 (2) If STATUS LED flashes red, check the connection between controller and receiver.
 3GX Flybarless開機後閃燈正常，十字盤未跳動，PIT被鎖定，無法順利完成開機動作。
 (1) 開機時直昇機必須完全靜止，才可順利開機。
 (2) 檢查如果STATUS紅燈燈號一直閃爍，請檢查遙控器與接收器是否正常。
- Q&A 10** **I noticed swashplate tilts slightly at extreme pitch due to servo interactions, should I make efforts to level it out? No. Level the swashplate at 0 degrees using subtrims ONLY in DIR setup mode. (please refer to page 23 step 1.3) End point swashplate interactions are automatically compensated by the 3GX system while in flight.**
 十字盤移動到最高與最低位置時會有些微傾斜，我能否試著將它修正調整到水平嗎？
 否。在DIR模式時利用內微調(Subtrim)將十字盤0度時調整至水平(參閱第23頁 步驟1.3)，實際飛行時，3GX系統會自動修正十字盤的混控偏差。
- Q&A 11** **What adjustments can I make on the transmitter after the DIR setup has been completed? You can adjust the trim tabs, dual rates, exponential, collective pitch.**
 在離開DIR模式後，有哪些調整功能是我能使用的？
 一般開機模式下，您仍然可以使用以下幾個功能調整直昇機：舵面大小動(dual rates, exponential)、集體俯仰(collective pitch)。
- Q&A 12** **During step 5 of DIR setup mode, only aileron swash mixing was mentioned. Should I set elevator swash mixing as well? No. The 3GX system automatically calculates a cyclic ring based on the aileron swash mix percentage. Setting of elevator swash mix has no effect on the 3GX system. Set the cyclic pitch by the aileron swash mix & just use the same value for elevator.**
 在步驟五-循環調整設定時，為何只提到副翼的角度？
 3GX系統在實際飛行時，會自動給定十字盤一個循環運行，所以在測量副翼槓軸傾斜角度後，設定相同數值的升降槓軸角度即可。

ALIGN

Specifications & Equipment/規格配備:

Length/機身長:1160mm

Height/機身高:330mm

Main Blade Length/主旋翼長:520mm(550mm Option另購)

Main Rotor Diameter/主旋翼直徑:1188mm(1248mm)

Tail Rotor Diameter/尾旋翼直徑:254mm

Motor Pinion Gear/馬達齒輪:11T

Main Drive Gear/傳動主齒:112T

Autorotation Tail Drive Gear/尾驅動主齒:131T

Tail Drive Gear/尾翼傳動齒:34T

Drive Gear Ratio/齒輪傳動比:10.18:1:3.85

Weight/空機重:1800g

Flying Weight/全配重:Approx. 2800g

