

7" FPV LCD MONITOR

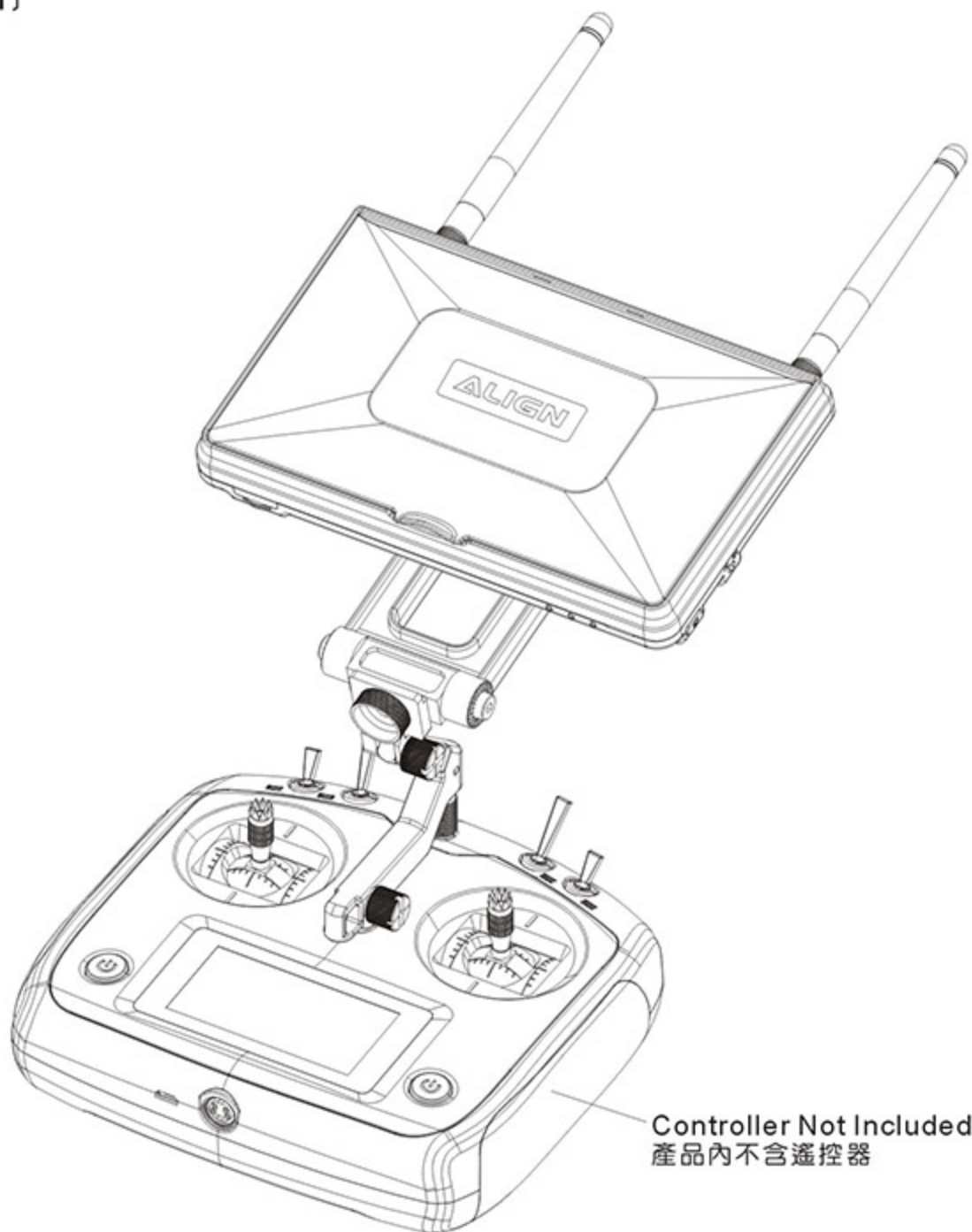
7吋顯示屏

INSTRUCTION MANUAL

使用說明書

(HEM00002T)

ALIGN



Controller Not Included
產品內不含遙控器


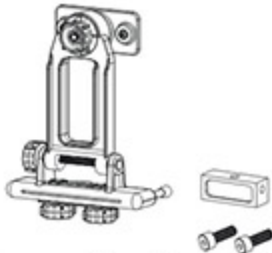
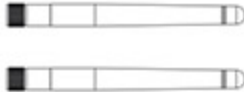



Thank you for purchasing of Align products. Please read the manual carefully before installing and be sure to retain the manual for future reference.

承蒙閣下選用亞拓遙控世界系列產品，謹表謝意。使用前請仔細閱讀，並妥善保管本說明書，以作為日後參考。



FEATURES 產品特點

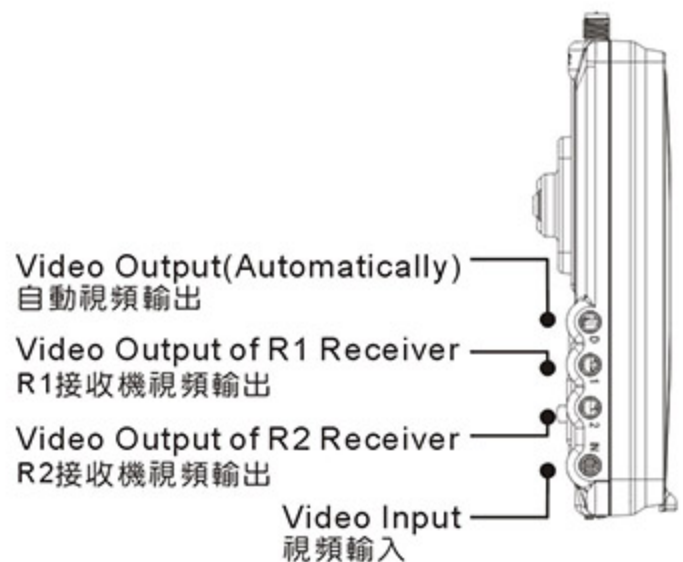
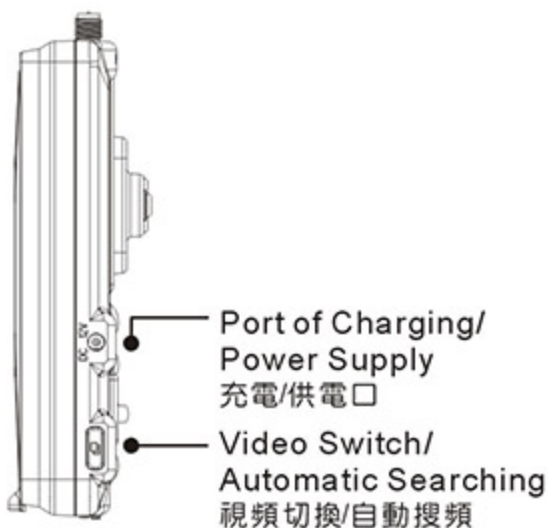
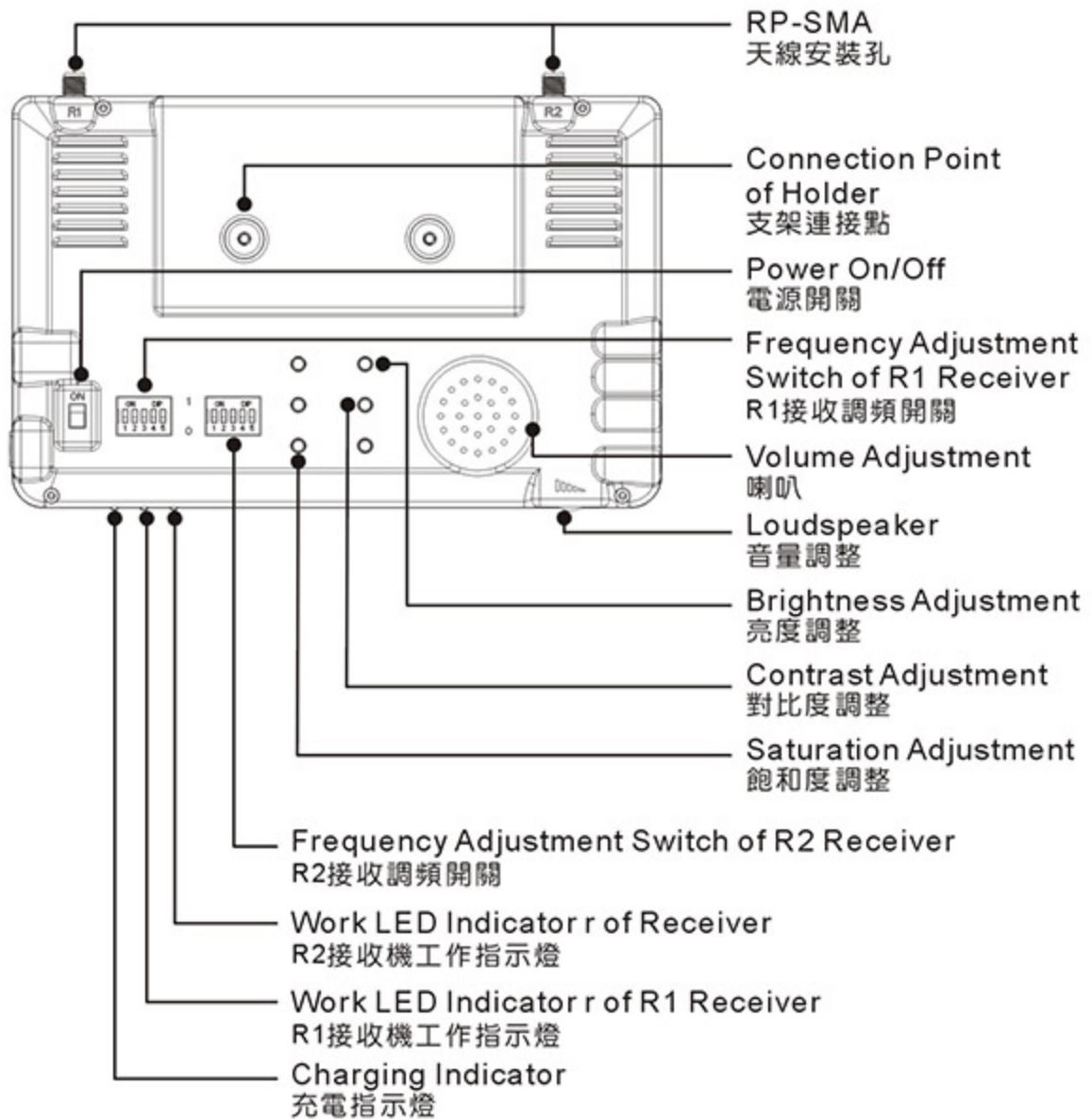
- | | |
|--|--|
| <ol style="list-style-type: none">1、Utilizes 7" TFT LCD screen, LED backlight2、With automatic searching, simple and easy to operate.3、Built in 32 channel dual receiver system featuring efficient reception and good stability can receive two different channel separately.4、Built in high capacity 4000mAh Li-Polymer Battery, featuring durability over 3 hours with full charge.5、DC 12V input/output, with power cable which supports external 3S battery charging. When run out of built in battery, it can connect to external power supply.6、Multiple connectivity options can connect to transmitter or bracket easily.7、Foldable sunshield featuring lightweight, easy to carry and not occupy space, even in bright light still can see clearly.8、Support AV IN/AV OUT. | <ol style="list-style-type: none">1、採用7" TFT LCD 屏幕，LED背光源2、具備自動搜頻功能，操作簡單、方便。3、內建32頻道雙接收系統，接收效果好、穩定性佳，可獨立接收兩個不同頻道。4、內建大容量4000mAh鋰聚電池，充電電續航力3小時以上。5、DC12V充電/供電，配置充電線也可外接3S電池，當內置電源沒電時，還可以透過外接電源充電繼續工作。6、多種連接方式，可輕鬆連接遙控器或支架。7、可折疊式遮陽罩，輕巧攜帶方便不佔空間，在強光下仍可清楚觀看。8、具備AV IN/AV OUT功能。 |
|--|--|

STANDARD EQUIPMENT 標準配備

 <p>Mainframe 主機</p>	 <p>Transmitter Bracket 遙控器支架組</p>	 <p>5.8G Circular Polarized Antenna 5.8G無向性天線</p>
 <p>Tripod Connector 三腳架連接片</p>	 <p>AV Cable AV線</p>	 <p>Power Cable 充電線</p>

OPTIONAL 另購配備

 <p>T10 Transmitter T10遙控器</p>	 <p>T10 Transmitter Bracket T10遙控器支架</p>	 <p>Mounting Screw Camera Bracket 固定螺絲 螢幕固定座</p>
---	---	---



INSTALLATION I : ASSEMBLY WITH T10 TRANSMITTER 安裝方式一：搭配T10遙控器組裝

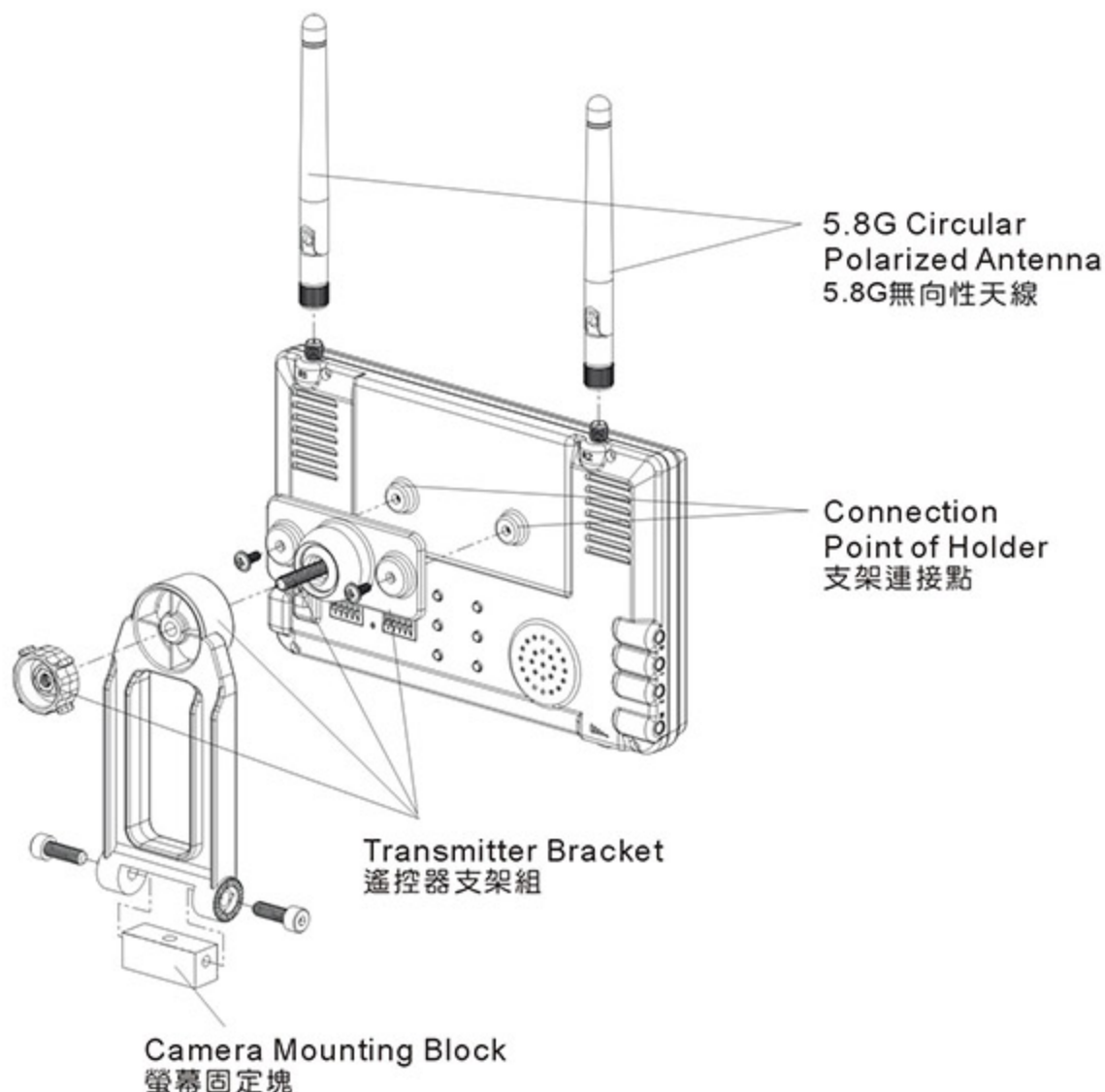
STEP.1 步驟.1

INSTALL ANTENNA AND REMOTE CONTROL HOLDER

安裝天線及遙控器支架組

Mount 5.8G circular polarized antenna on the FPV LCD monitor, and install the T10 transmitter bracket on the back of the monitor.

將5.8G無向性天線鎖至顯示屏上面的天線安裝孔。將遙控器支架組，鎖附至7吋顯示屏背面的支架連接點



CAUTION
注意

Make sure to fully loosen the knob screws before start assembling to prevent screw strip.

調整旋鈕時，請務必要完全鬆開再調整；否則易造成旋鈕咬合的齒位磨損而無法鎖緊。

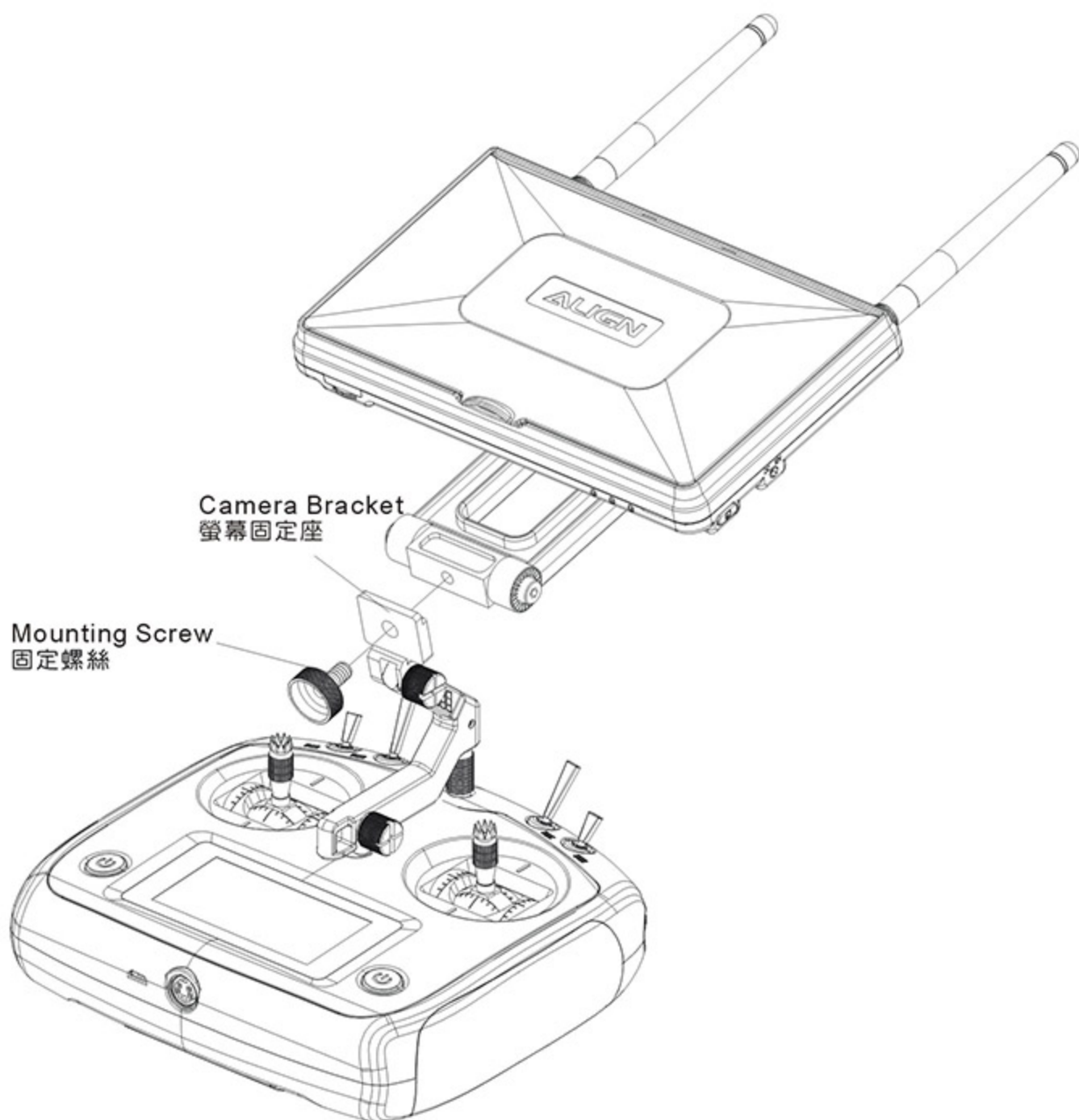
STEP.2 步驟.2

INSTALL ON TO T10 TRANSMITTER

安裝設備到T10遙控器

Keep 7" FPV LCD monitor levelly with transmitter bracket, and install the monitor by tightening the screws back. Adjust the position of 7" FPV LCD monitor & transmitter to finish installation.

將螢幕固定座對齊遙控器支架組底端，鎖上固定螺絲固定；調整7吋顯示屏與遙控器的位置，即完成組裝。

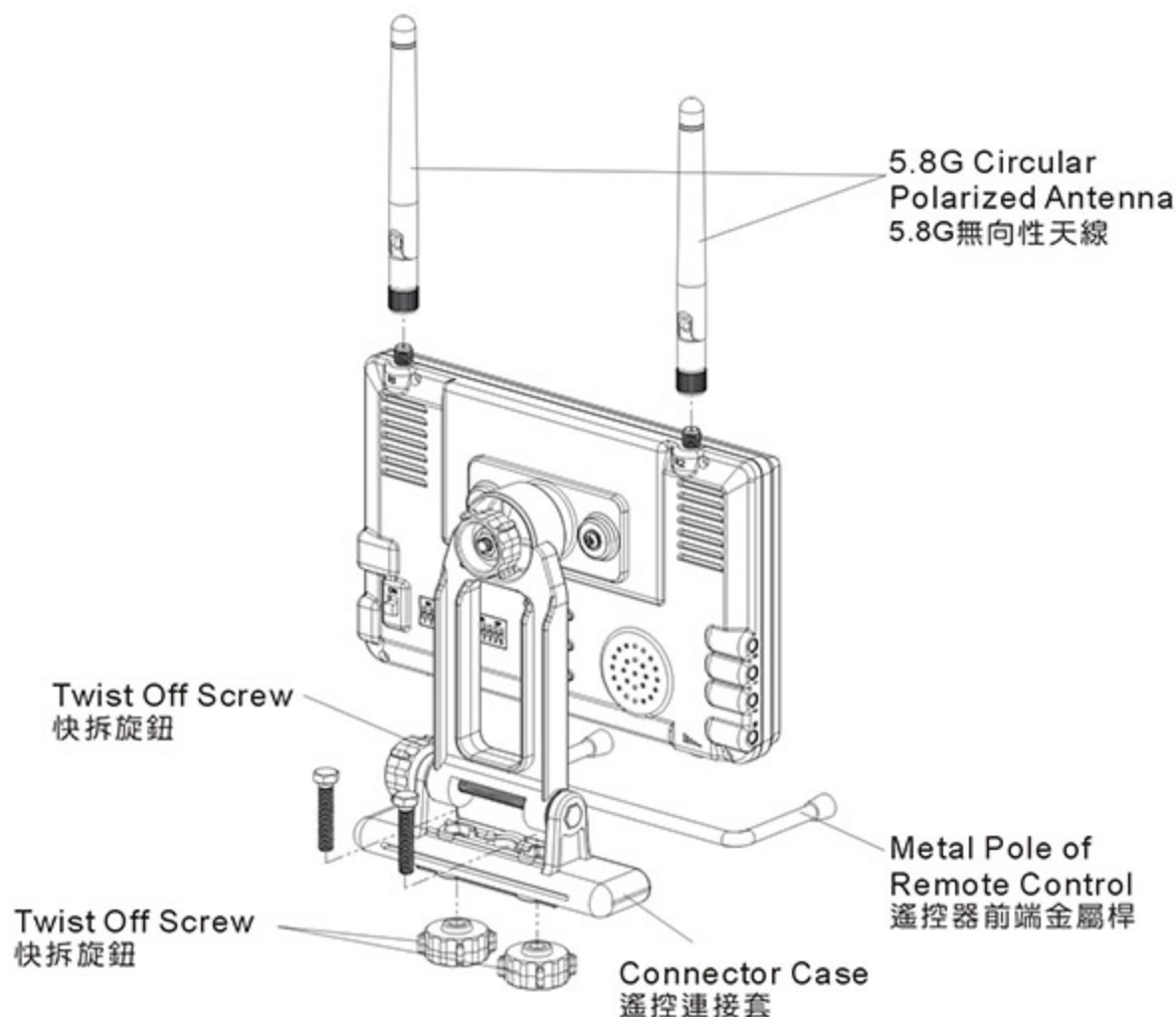


STEP.1 步驟.1

INSTALL ANTENNA AND REMOTE CONTROL HOLDER
安裝天線及遙控器支架組

- a. Mount 5.8G circular polarized antenna on the FPV LCD monitor
- b. Loosen the transmitter nuts, and remove the screw.
- c. Install the metal tube to the bottom of transmitter bracket, then mount the 7" FPV LCD monitor with the bracket refer to the manual instruction.

- a. 將5.8G無向性天線鎖至顯示屏上面的天線安裝孔。
- b. 鬆開遙控器連接螺帽，連同螺桿一起取出。
- c. 將遙控器前端金屬桿插至遙控器連接套的底部，鎖緊螺帽。將遙控器支架組，依圖示安裝至7吋顯示屏背面的支架連接點。



STEP.2 步驟.2

INSTALL ON TO OTHER TRANSMITTERS
安裝設備到其他遙控器

Keep 7"FPV LCD monitor levelly with transmitter bracket, and install the monitor by tightening the screws back. Adjust the position of 7" FPV LCD monitor & transmitter to finish installation.

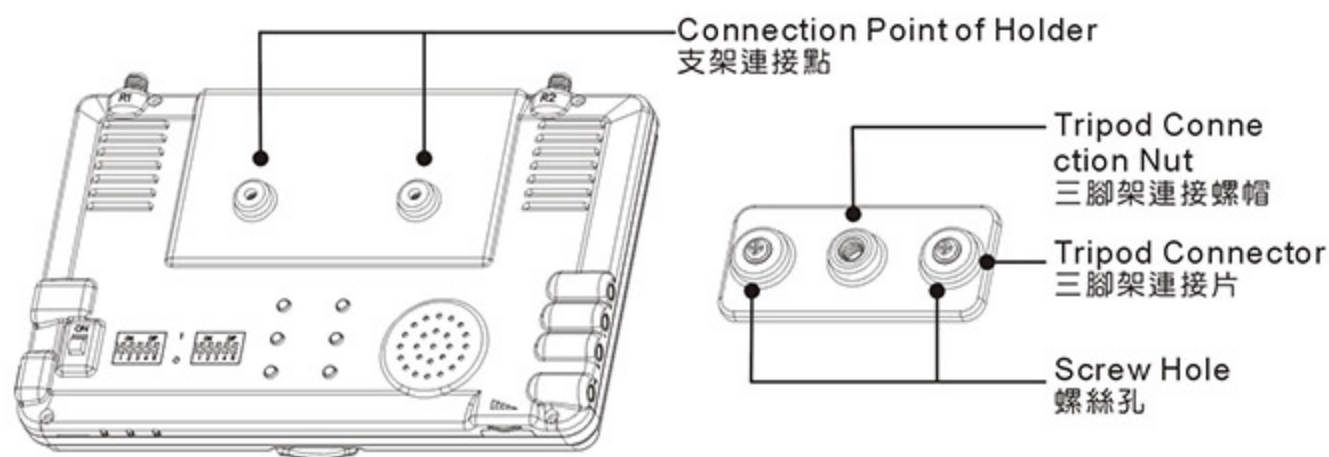
將螢幕固定座對齊遙控器支架組底端，鎖上旋鈕固定；調整7吋顯示屏與遙控器的位置，即完成組裝。

INSTALL ANTENNA AND REMOTE CONTROL HOLDER

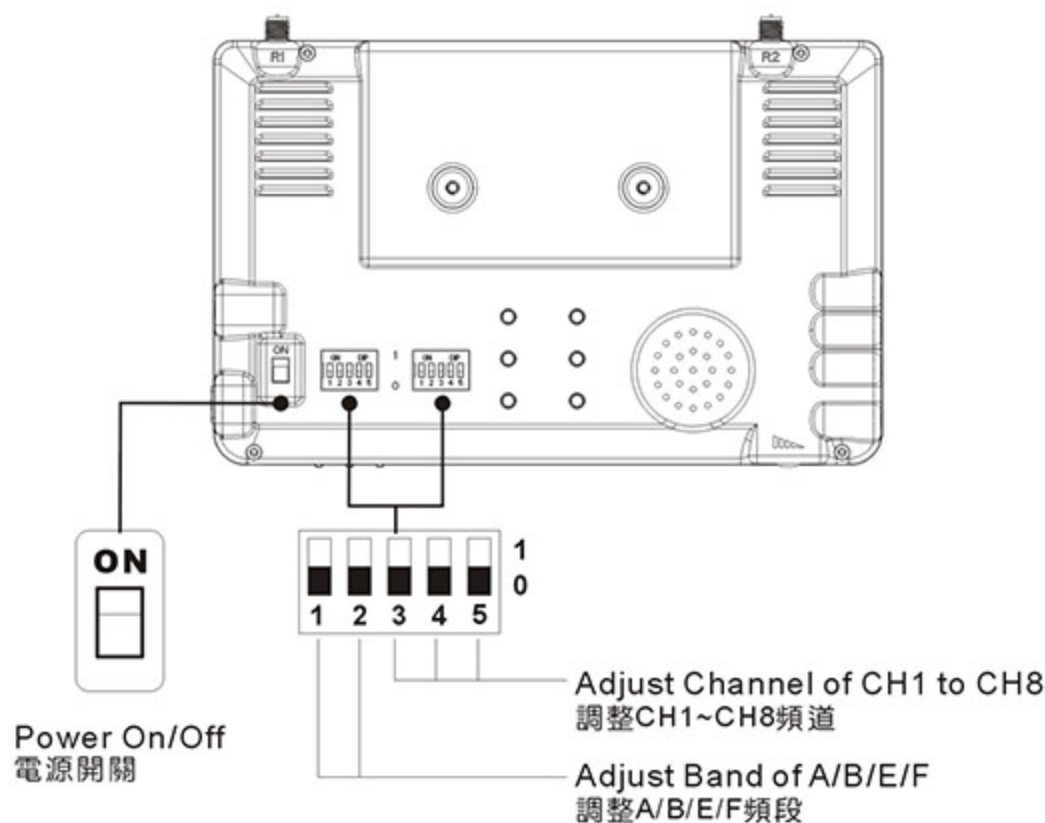
安裝天線及三腳架連接片

- Loosen the two nuts of remote control connector, pick it out with screw from the gap.
- Install the tripod connector, use tripod connection nut to connect tripod holder directly.

- 將支架連接點的螺絲拆卸下來，取下遙控器連接支架。
- 安裝三腳架連接片，透過三腳架連接螺帽直接連接到三腳架。



OPERATION 操作




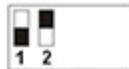




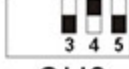
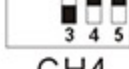
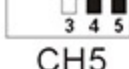
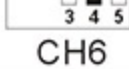
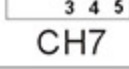
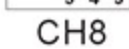
POWER ON/OFF 電源開關

- a. After completing the operation above, open the light shield, push the power button to ON to turn on the machine, the screen will be lighted; Push the power button to OFF to turn off the machine and the screen.
- b. When the Power is not Sufficient, Power indicator will blink and you will hear a warning voice; If no manual Shutdown, system will turn off the machine automatically.
- a. 完成以上操作後，打開遮光罩，把電源鍵撥動到開機位置，顯示屏亮起，完成開機；反之把電源鍵撥動到關機位置，顯示屏熄滅，完成關機。
- b. 當電池電量不足時，電源指示燈會閃爍並發出提示音，如果沒有手動關機，系統會自動關機。

CHANNEL LIST 頻道表

- a. After turning on the machine, set channel manually to receive image. Corresponding channel frequency diagram are as below:
- a. 開機完成後，通過手動調頻來調整頻道接收圖像，對應頻道位置圖如下：

■ Show Switch Position
開關所在位置

Channel 頻道	Band 頻段	 A	 B	 E	 F
 CH1		5865M	5733M	5705M	5740M
 CH2		5845M	5752M	5685M	5760M
 CH3		5825M	5771M	5665M	5780M
 CH4		5805M	5790M	5645M	5800M
 CH5		5785M	5809M	5885M	5820M
 CH6		5765M	5828M	5905M	5840M
 CH7		5745M	5847M	5925M	5860M
 CH8		5725M	5866M	5945M	5860M

b. By dial switch, to set the same channel or different channels for two receivers; If setting the same channel, system will select the receiver with strong signal. If setting different channels, you can choose the receiver by switch button.

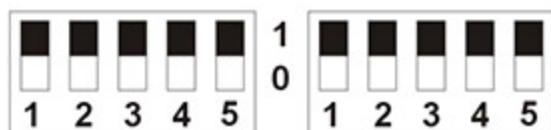
b. 可以通過調頻開關設置兩個接收機為相同頻道，也可以設置為不同頻道；設置相同頻道時，系統會優先選取信號較強的接收機；當設置為不同頻道時，可以通過視頻切換按鍵來選取使用哪一台接收機。

RECEIVE IMAGE 接收圖像

After setting the channel of receiver, you can see real time video image from transmitt.

設定好接收機頻道後，能夠即時看到發射端傳出的影像視頻

AUTOMATIC SEARCHING 自動搜頻



Automatic searching switch
自動搜頻開關

Automatic searching switch Dial all the switches to F/CH8 channel, the system starts to search frequency automatically; At this moment, the 2 green indicators will flash till the system searches and locks the channel. If you dissatisfied with the image, you can press the frequency-searching button which in the right side to search the frequency again. When the signal is missed the system will enter into searching status.

當開關全部撥到F/CH8頻道時，系統會開啟自動搜頻；此時兩個綠色指示燈會持續閃爍，直到搜到頻道並鎖定，指示燈停止閃爍；若要繼續搜頻，點擊右側的搜頻按鍵則繼續搜頻。當信號丟失時，系統會自動進入搜索狀態。



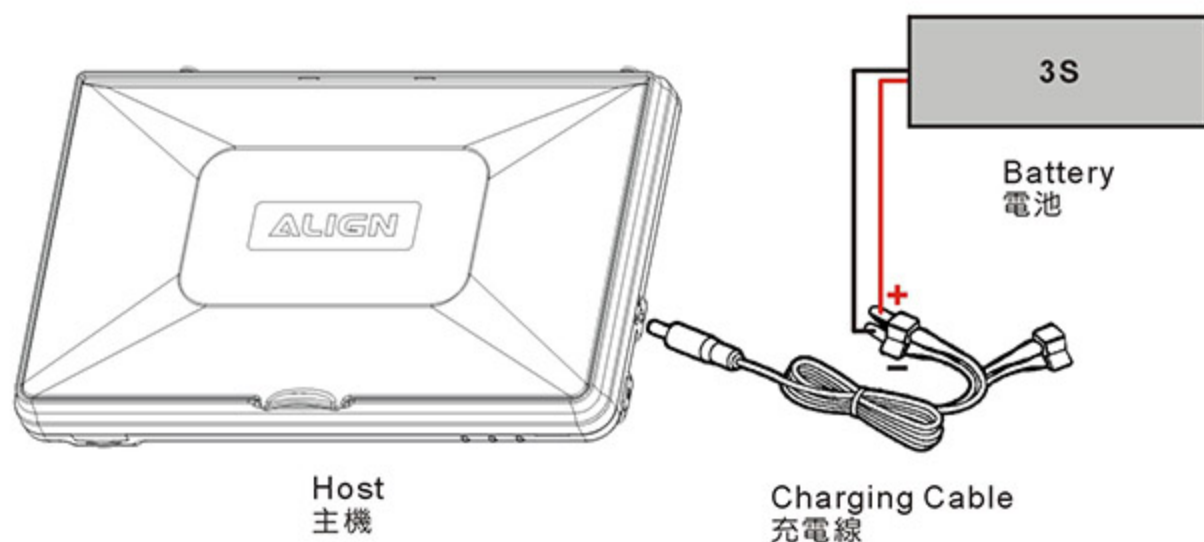
When the signal is weak, the frequency channel searching will not easily be fixed, suggest to searching channels manually.

當信號微弱時，自動搜頻較不易鎖定，建議請手動調頻。

POWER CABLE INSTALLATION 電池充電接線示意圖

When the battery is in low voltage, the status indicator LED will flash and alarm beep sound. The system will power off automatically in few seconds, please make sure to get battery charged immediately.

當電池電量不足時，電源指示燈會閃爍並發出提示音，如果沒有手動關機，系統將會自動關機。請立即充電。



CAUTION 注意

If the battery is not used for long time, please make sure to charge it occasionally. Make sure not to over-discharge the battery, or it will result in battery damaged.

若長期擱置未使用時，請定期給予電池充電；避免電池過放，造成電池損壞。

SPECIFICATION & EQUIPMENT 規格配備

Screen 顯示屏	7" TFT LCD screen/long life, LED backlight
Resolution 分辨率	800x480 dot pitch
Brightness 亮度	450 cd/m ²
Screen 對比度	500:1
View Angle 可視角度	140/120 degree (Horizontal/Vertical) 140/120度(水平/垂直)
Antenna Connector 天線接口	RP-SMA
Channel 頻道	5.8G Input; 4Brands/32 Frequency selectable (Automatically switch to the frequency with batter signal) 兩路5.8G輸入，四頻段32頻可選
Size 尺寸	176x112x24mm(Height of light shield:102mm) 176x112x24mm (遮蔽高度：102mm)
Battery 電源	DC: 12V/1A, Built-in 4, 000mAh Li-Po battery DC 12V充電/供電，內置4, 000mAh鋰電池，充滿電可連續工作3小時以上
Power Consumption 功耗	600mAh@12V(maximum) 600mAh@12V(最大)
Working Temp 工作環境	-10~+65 degrees -10度~+65度