

Features

- Utilizes Silicon Micro Machines (SMM) sensor with excellent stability to dramatically reduce in-flight tail drifts.
- Utilizes AHTCS (Active Helicopter Tail Control System) to compensate any drift caused by wind direction and force, as well as unintended yaw induced by helicopter itself during flight maneuvers.
- Tailor made specifically for use with high speed digital rudder servos. This gyro features high sensitivity and minimal reaction time, fully utilizing the potential of modern high speed digital rudder servos.
- Suitable for all sizes of helicopters, from micro indoor to large 90 size glow helicopters.
- Metallic dampening plate built into bottom gyro casing, dramatically increasing anti-vibration and anti-interference abilities.
- Features 1520 μ s pulse wide and 760 μ s narrow pulse wide frame rate.
- Digital/Analog servo switchable.
- Reverse switch.
- Rudder servo travel limit adjustment (ATV).
- Mode switch for large/mini helicopter.
- Delay adjustment.
- Gyro locking mode and gain can be adjusted remotely from the transmitter.

Program setting table

Setting type	1520/760 μ s	DS/AS	NOR/REV	LIMIT	Helicopter mode / DELAY
"STATUS"green	▲Standard 1520 μ s Servo	▲Digital servo	▲Normal rotation	Left(Right)Travel limit	Medium/ large heli, suitable for T-REX500/600/700
"STATUS"red	Narrow band 760 μ s Servo	Analog Servo	Reverse rotation	Right(Left)Travel limit	Mini/ Micro heli, suitable for T-REX250/450
Setting instruction	See no. 2 in setting instructions	See no. 3 in setting instructions	See no. 5 in setting instructions	See no. 6 in setting instructions	See no. 8 in setting instructions

NOTE : 1. "▲"Default setting ◦ 2. Wrong heli mode will affect the performance of gyro. Do not fly before the complete setting.

T-REX 250/450 setting instructions

Green: 1520 μ s standard band

Standard/Narrow band setting

The GP750 is set to 1520 μ s at the factory. Use the rudder stick on your transmitter to select, and set it to green STATUS LED.

Green: Digital Servo

DS/AS Setting

When using Align DS series digital servos, please set it to green STATUS LED.

Green: Normal rotation. Red: Reverse rotation.

Servo NOR/REV Setting

Move the heli and observe if the direction of tail rotor compensation is correct. If not, please modify the NOR/REV Setting.

The STATUS LED color does not indicate any setting here

Travel Limit Setting

Move the rudder stick on your transmitter left until the tail pitch slider reaches the end. Repeat on the right until the tail pitch slider reaches the other end. Then press the "SET" button.

Red: Suitable for T-REX 250/450 or other small helicopters

Helicopter mode / DELAY Setting

When paired with a T-REX 250/450, please remember to set the STATUS LED to red. If you want to set delay at the same time, please move the transmitter rudder stick to the direction where STATUS LED is red. With the DELAY STATUS LED flashing, the delay amount is adjusted by stick position from the center: percentage is 0% at middle stick position, and 100% at the end position.

Move the transmitter rudder stick to the needed delay percentage and press the "SET" button.

Specifications

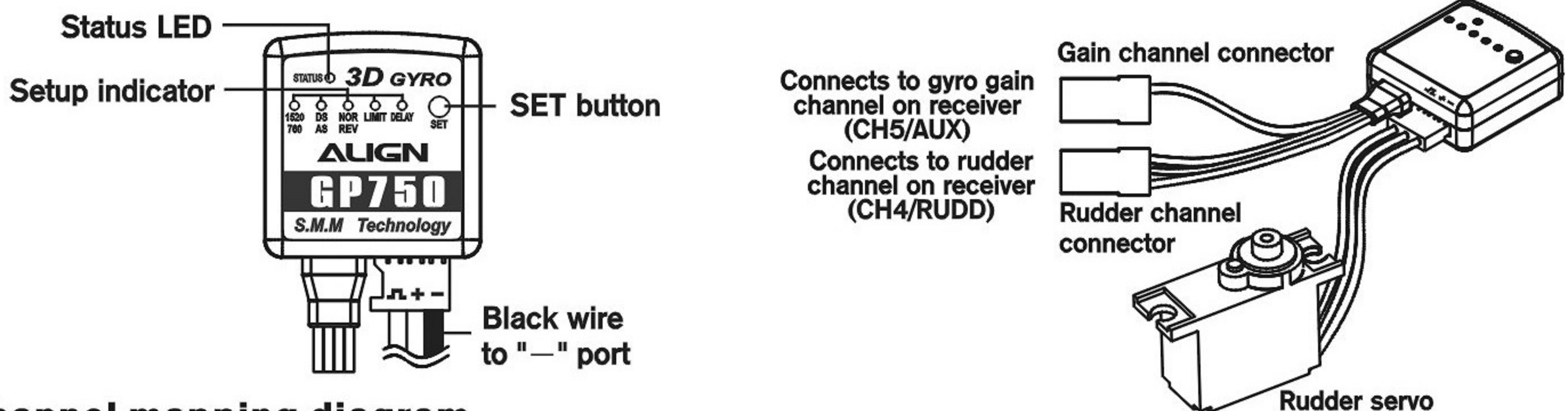
Gyro :

- Operating Voltage : DC 4.5~7V
- Current Consumption : <80mA @ 4.8V
- Angular Detection Speed : \pm 500 degrees/sec
- Operating Temperature : 0 $^{\circ}$ C~65 $^{\circ}$ C
- Operating Humidity : 0%~95%
- Size : 26x25x11mm
- Weight : 14g
- RoHS compliant

DS420 Digital Servo :

- Speed : 0.08sec /60 degrees(4.8V)
0.06sec /60 degrees(6.0V)
- Torque : 0.75kg.cm (4.8V)
1.0kg.cm (6.0V)
- Dimension : 22.8 x 12 x 25.4mm
- Weight: 12.7g

Illustration

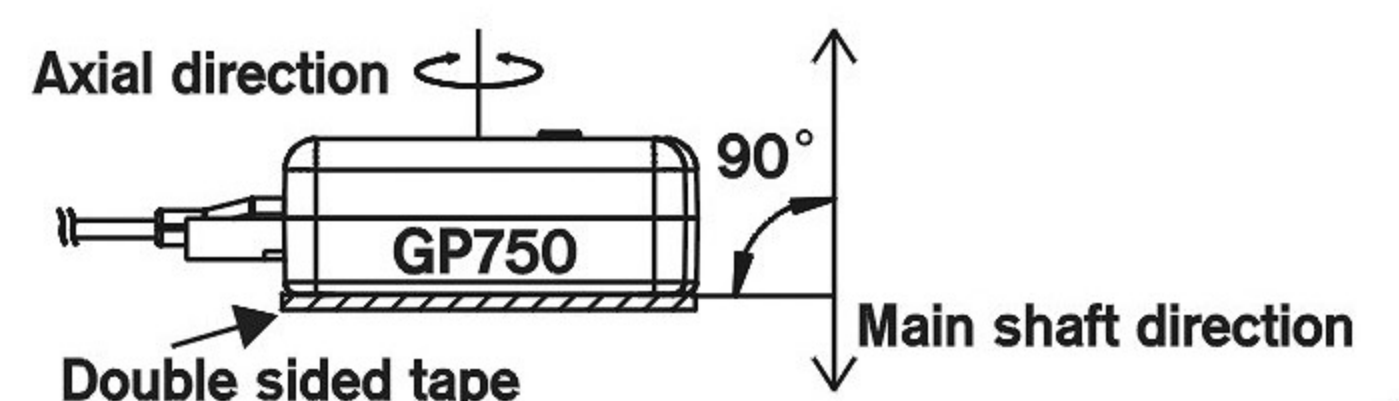


Gain and Rudder channel mapping diagram

Transmitter type	Rudder channel on Receiver	Gain channel on Receiver
JR PPM/SPCM	"RUDD"	"AUX 2" or "AUX 3"
Hitec \ Futaba PPM/PCM	"CH4"(RUD)	"CH5"
JR ZPCM	"RUDD"	"AUX 2"

Gyro Installation

1. Utilizing the included double sided foam tape as shown in diagram below, mount the gyro on a solid platform or designated gyro mounting location on the helicopter. Ensure gyro mounting area have proper ventilation and away from heat sources.
2. To avoid drift induced by erroneous yaw detection, the bottom surface of gyro must be perpendicular (90 degrees) relative to the main shaft.
3. For installation on electric powered helicopters, the gyro should be installed as far away from the electronic speed controller (ESC) as possible to avoid interference (minimum 5cm).



Usage Setting Instructions

1. Transmitter Settings: After powering up transmitter, make sure rudder subtrim is zeroed. Then power on the receiver and gyro. The gyro will go through initializing process indicated by flashing LED. Do not touch the heli or transmitter sticks until initializing is complete, as indicated by a steady lit LED. A green LED indicates gyro is in AHTCS locking mode, while red LED indicates gyro is in normal mode.

Note: The GP750 is set to 1520 μ s at the factory. If 760 μ s servo is used in 1520 μ s mode, rudder servo will deflect to the side and unable to center. For more critically, the linkage rod may jam and cause the servo burned out. Please follow the instruction (Usage setting 2) to change the setting if 760 μ s servo is used.

Please ensure the following mixing functions (if available) are disabled or zeroed on the transmitter.

- ATS
- Pilot authority mixing
- Throttle to rudder mixing
- Rudder to gyro mixing
- Pitch to rudder mixing
- Revolution mixing

2. 1520 μ s (standard) or 760 μ s (narrow band) servo selection: GP750 offers compatibility for two types of frame rates under digital mode. Please set the GP750 to 760 mode if 760 μ s frame rate rudder servos (such as Futaba S9256, S9251, BLS251) are used. Most other servos have 1520 μ s frame rate, and GP750 should be set to 1520 mode if those servos are used.

To enter the setup mode: Press and hold the SET button for 2 seconds, and the STATUS LED will begin flashing. When the 1520/760 indicator lit up, you are in the servo frame rate setup menu. Use the rudder stick on your transmitter to select the frame rate: move the stick to left (or right) and STATUS led changes to green, the frame rate has been set to 1520 μ s. If you want to set the frame rate to 760 μ s, move the stick to opposite end 3 times to make STATUS led changes to red. (Note: The faceplate of GP750 has the setting values listed in the corresponding green/red letters.)

Press the SET to confirm the current setting and enter the next setting. The GP750 will exit setting mode if left idle for 10 seconds.

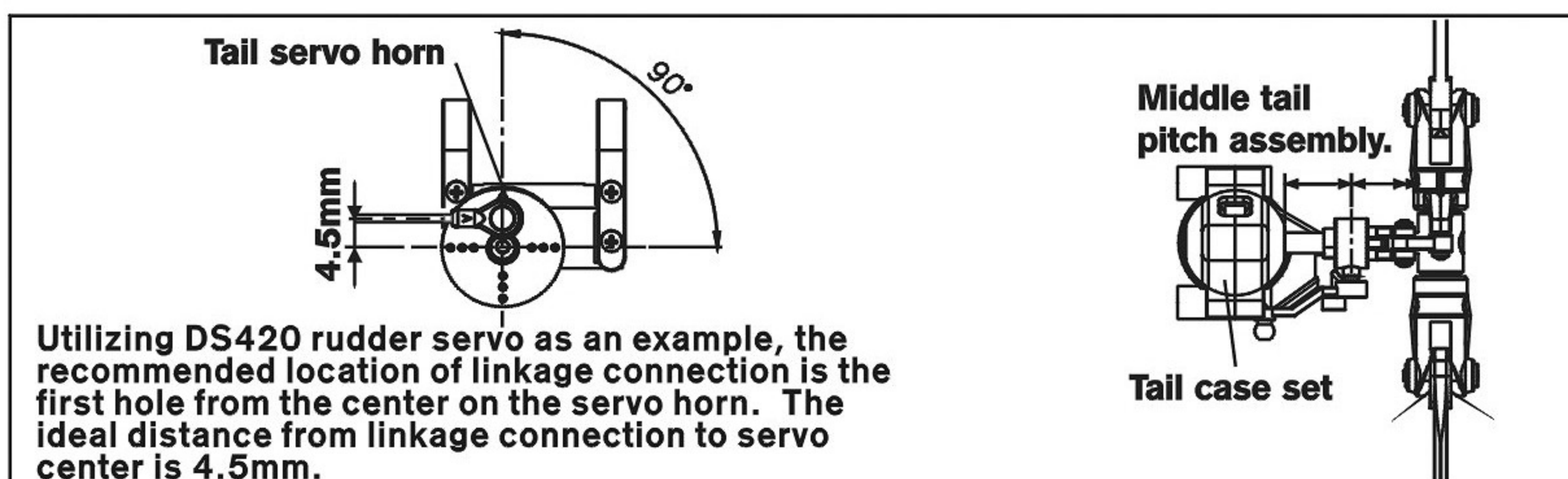
3. Digital (DS) / Analog (AS) Servo Selection: Servo speed is of paramount importance in maximizing the gyro's performance. Fast servos are able to respond to gyro commands quickly, resulting in the speed and precision of overall system. Due to the high sensitivity of GP750 gyro, high speed digital servos such as Align DS420, DS520, Futaba S9257, S9256, S9254, S9253, or other similar spec servos are recommended. Select "DS" when digital servos are used, and "AS" when analog servos are used.

To enter the setup mode: Press and hold the SET button for 2 seconds, and the STATUS LED will begin flashing. Press the SET button repeatedly until DS/AS led is lit. Use the rudder stick on your transmitter to select the Servo type: move the stick to left (or right) and STATUS led changes to green, the servo type is set to DS. Move the stick to opposite direction and STATUS led changes to red, the servo type is set to AS.

Warning: The use of analog servo under "DS" mode will result in servo failure. The GP750 gyros are set to "DS" mode at the factory. Please set the proper servo type based on servo used.

4. Check the direction of rudder: move the rudder stick on transmitter left/right and check the helicopter's instruction manual for correct rudder direction. Servo reverse function on the transmitter can be used for reversed rudder.

Set the transmitter gyro gain channel to normal mode, or press and hold the SET button for 2 seconds to center the rudder servo. Adjust the servo horn so it is perpendicular (90 degrees) relative to the pushrod. Then adjust the rudder linkage length so the tail pitch control system is within range.



5. Setting of gyro direction nor/rev: Check the gyro direction by moving the heli on the yaw axis while holding by hand. Observe the direction gyro is moving the rudder servo. If direction is incorrect, switch the direction switch on the gyro to compensate.

To enter the setup mode: Press and hold the SET button for 2 seconds, and the STATUS LED will begin flashing. Press the SET button repeatedly until NOR/REV led is lit. Use the rudder stick on your transmitter to select the Servo type: move the stick to left (or right) and STATUS led changes to green, the servo direction is set to NOR. Move the stick to opposite direction and STATUS led changes to red, the servo direction is set to REV.

Warning: Flying with reversed gyro will cause the heli to spin out of control. Please double check the direction before attempting to fly the heli.

6. Rudder Servo Travel Limit Adjustment: Press and hold the SET button for 2 seconds until the STATUS LED flashes. At this point the rudder servo will be centered. Press the SET button repeatedly until LIMIT led is lit. While observing the heli tail, gradually move the rudder stick on your transmitter left until the tail pitch slider reaches end. Then move the rudder stick on your transmitter right until the tail pitch slider reaches the other end. This will set the travel limit of the servo.

Insufficient rudder servo travel limit will result in decreased rudder performance, while excessive rudder servo travel will overload the rudder servo and cause failures.

7. Gyro Gain Adjustments: For radio with GYRO function, gain can be adjusted using this function. The AHTCS (heading lock) gain is set by adjusting the GYRO setting between 50% to 100%, while the normal mode gain is set by adjusting the GYRO setting between 0 to 49%. Actual gain settings will differ amongst different helis and/or servo. The goal is to achieve as high of gain as possible without the tail oscillating (wagging), therefore such adjustment can only be done under actual flight conditions. Suggested initial settings are 65% during hover, and 60% during idle-up conditions. Gyro gain can be increased or decreased after observing the presence of tail oscillation during flights.

Note: For radio systems using 0-100% as gain adjustment under heading lock mode (such as Futaba), the recommended gain setting is approximately 20%. For radio system using 50-100% as gain adjustment under heading lock mode (such as JR and Hitec), the recommended gain setting is approximately 65%.

8. Helicopter mode and delay setting. These settings incorporates two functions:

(1) GP750 supports mini/micro indoor helicopters. Set the setting based on the appropriate helicopter class. For example: Set the helicopter mode to mini/micro setting (Status LED turns red) for T-Rex 250/450; set the helicopter mode to medium/large setting (Status LED turns green) for T-Rex 500/600/700.

(2) Slow rudder servos may cause tail oscillation as it receives the faster signal from gyro. If tail oscillation occurs after hard stop from stationary pirouette, increase the gain setting until such oscillation stops.

Generally the delay value should be as low as possible, and used only to compensate for slower servos.

Setting Method: Press and hold the SET button for 2 seconds to enter the setup menu, and select DELAY setting. Push the rudder stick left or right and observe the STATUS LED. RED STATUS represents mini/micro helis such as T-REX250/450, GREEN STATUS represents medium/large helis such as T-REX500/600/700.

The amount of delay is set by holding the rudder stick at the position corresponding the delay percentage, 0% at middle stick position (DELAY STATUS LED is flashing) and 100% at the end position, and pressing the SET button to confirm the delay setting.