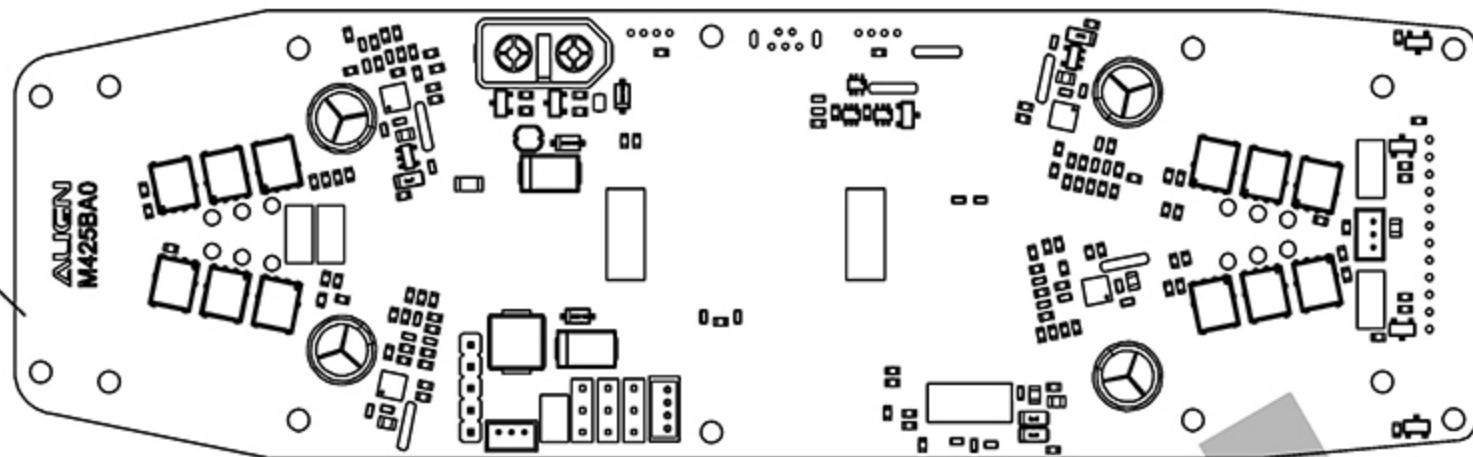


FEATURES 產品說明

A flight controller born from the integration of cutting edge electronics and innovative information technology. Utilizes a 32 bits high speed processor, combining ESC, power distribution system, OSD, Bluetooth connectivity, and gimbal control function. Featuring high precision 6-axis gyroscopic sensor and barometric sensor. Driven from Align's core technology, the highly intelligent attitude calculation subroutine results in a highly stable and reliable performance.

結合高科技與尖端IT工業的MRS飛控系統，採用32位元高速運算處理器，整合ESC控制、電源管理系統、OSD、藍牙與雲台控制功能。內置高精準六軸陀螺儀與氣壓計，承襲亞拓核心技術，高智能姿態控制演算法，發揮出高智能、高穩定、高可靠度與全方位的性能。

Intelligent Integrated
Circuit Board
高智能整合式電路板



SPECIFICATIONS 規格數據

- Input Voltage: 10V ~ 16.8V
- 輸入電壓: 10V ~ 16.8V
- Operating Frequency: 800HZ
- 工作頻率: 800HZ
- Operating Temperature: -20° C ~ 65° C (-4° F ~ 149° F)
- 工作溫度: -20° C ~ 65° C (-4° F ~ 149° F)
- Maximum Angular Speed:
Aileron/Elevator 400° /sec, Rudder 45° /sec
- 最大角速度: 副翼/升降400度/秒，尾舵45度/秒
- Maximum Tilting Angle: 80 degrees
- 最大傾斜角度: 80度
- Supports Multicopter Configurations: MR25, MR25P
- 支援機型: MR25、MR25P



警告

MRS flight control circuit board is a high precise electronic product, so to prevent any damage by violent and improper operation during disassemble and assembly, must follow the step carefully to make sure the circuit board works properly.

MRS飛控電路板為精密電子產品，避免因粗爆及不當的組裝動作造成毀壞，在拆解及組裝的過程中，務必依步驟順序小心仔細的進行，以確保電路板運作正常。

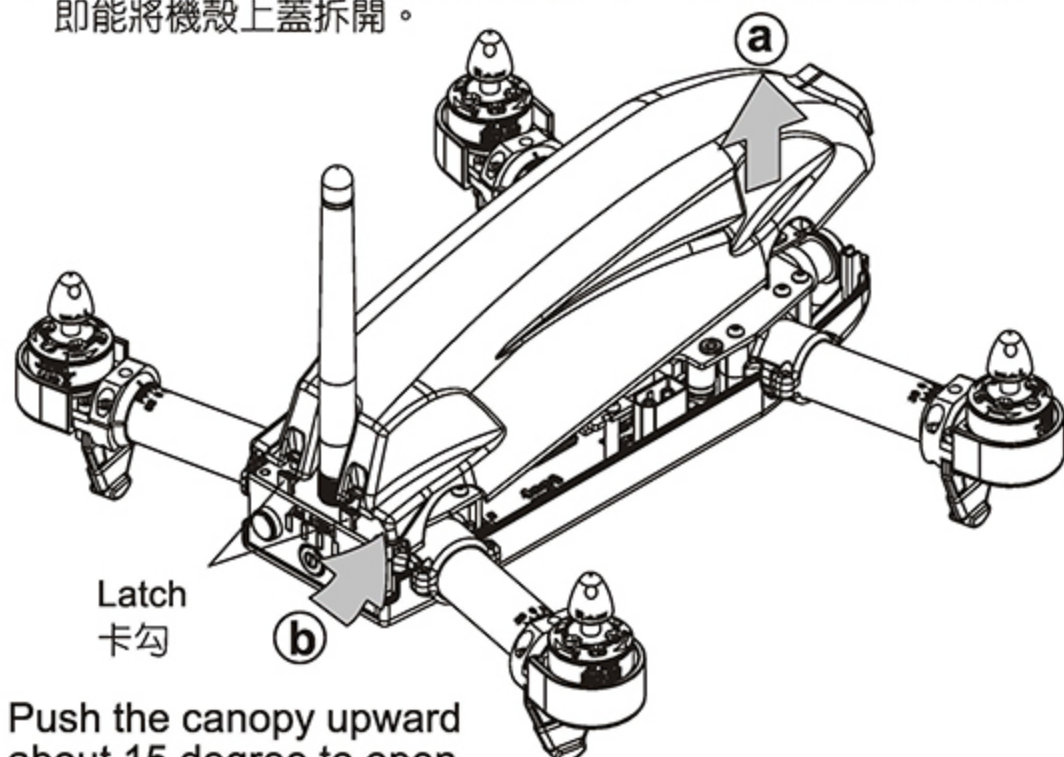
ASSEMBLY SECTION 組裝示意圖

1 Remove main frame assembly from box. Temporarily remove canopy from frame.

- a) Gently hold the front of the canopy notch and pull it up.
- b) Slightly remove two rear latch and push upward to open.

取出機身組，先將機殼拆下。

- a) 抓取機殼前方凹槽處，朝上拉起機殼的前端。
- b) 以手指輕輕撥開機身後面的兩個卡勾，將機殼朝前向上推開，即能將機殼上蓋拆開。



Latch
卡勾

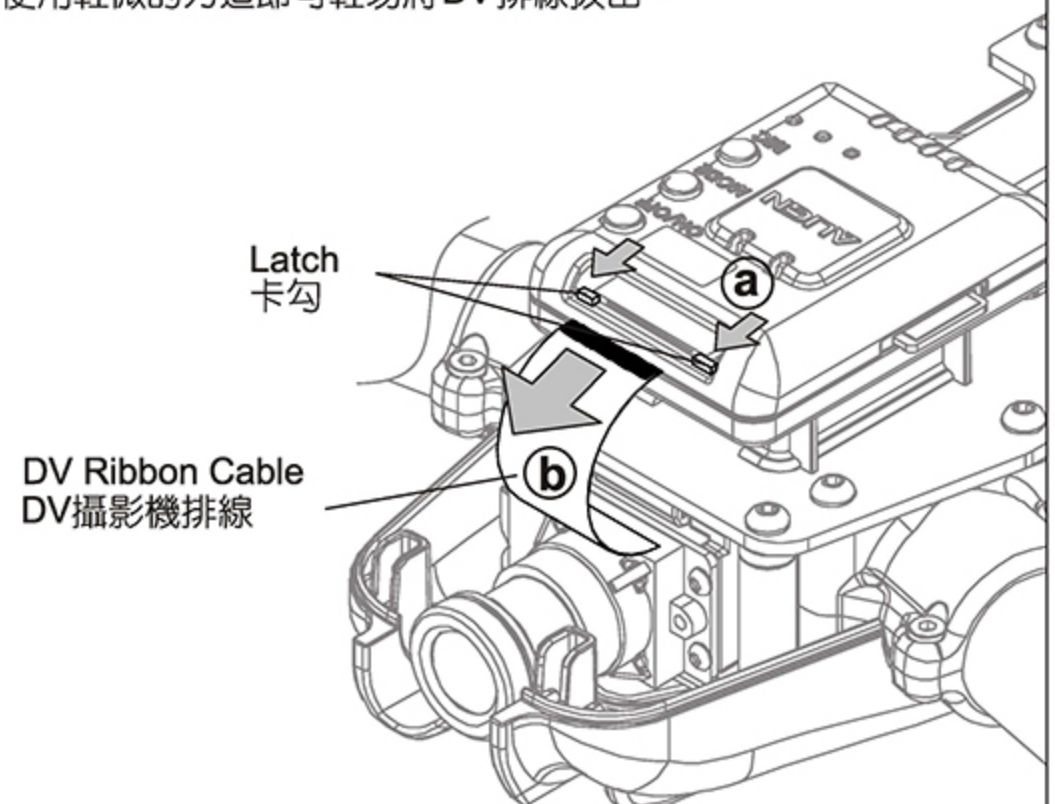
Push the canopy upward
about 15 degree to open
約15度向上推開

2 Temperately remove DV camera ribbon cable apart from DV main board and camera lens:

- a) Remove the latch apart to the front.
- b) Then gently remove DV camera ribbon cable.

將DV攝影機主板上連接鏡頭的排線暫時拆開：

- a) 將卡勾朝前扳開。
- b) 使用輕微的力道即可輕易將DV排線拔出。

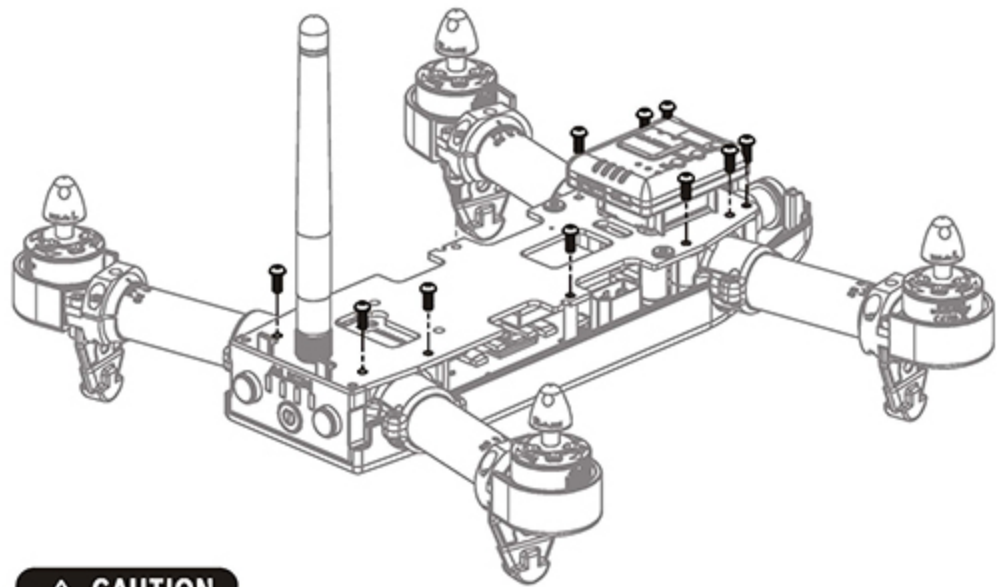


Latch
卡勾

DV Ribbon Cable
DV攝影機排線

3 Loosen the M2.5x6mm socket button head screw on the main frame.

鬆開機身上側板半圓頭內六角螺絲 M2.5x6mm。



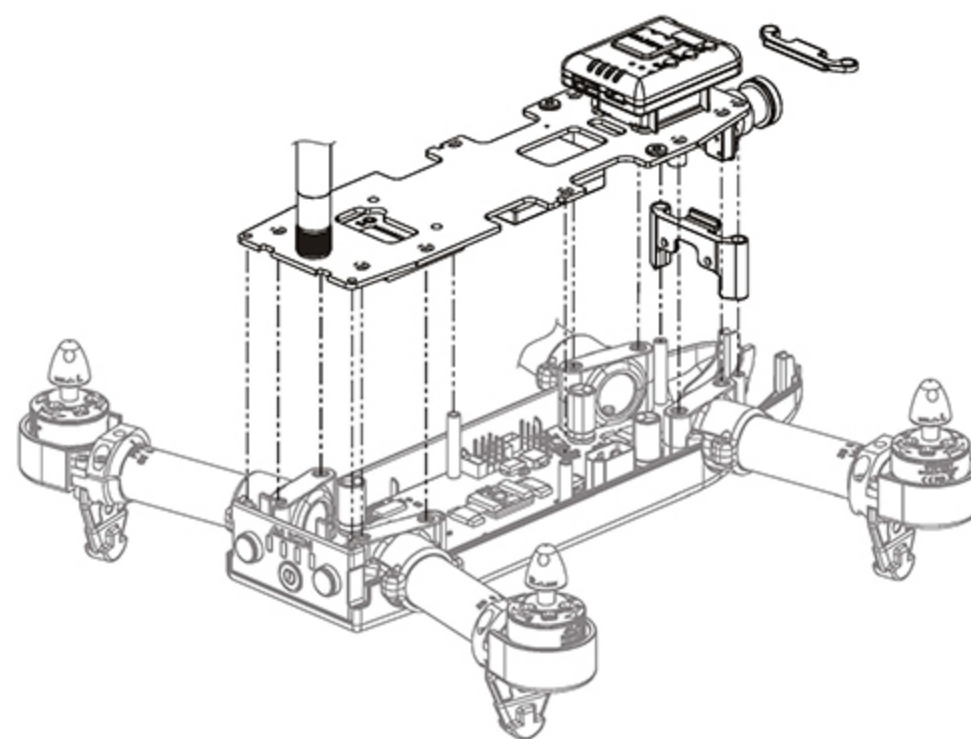
CAUTION
注意

Make sure to memorize or photo record the original wiring position for re-installation.

原來插線位置請熟記或預先拍照記錄，以便組裝時順利插回。

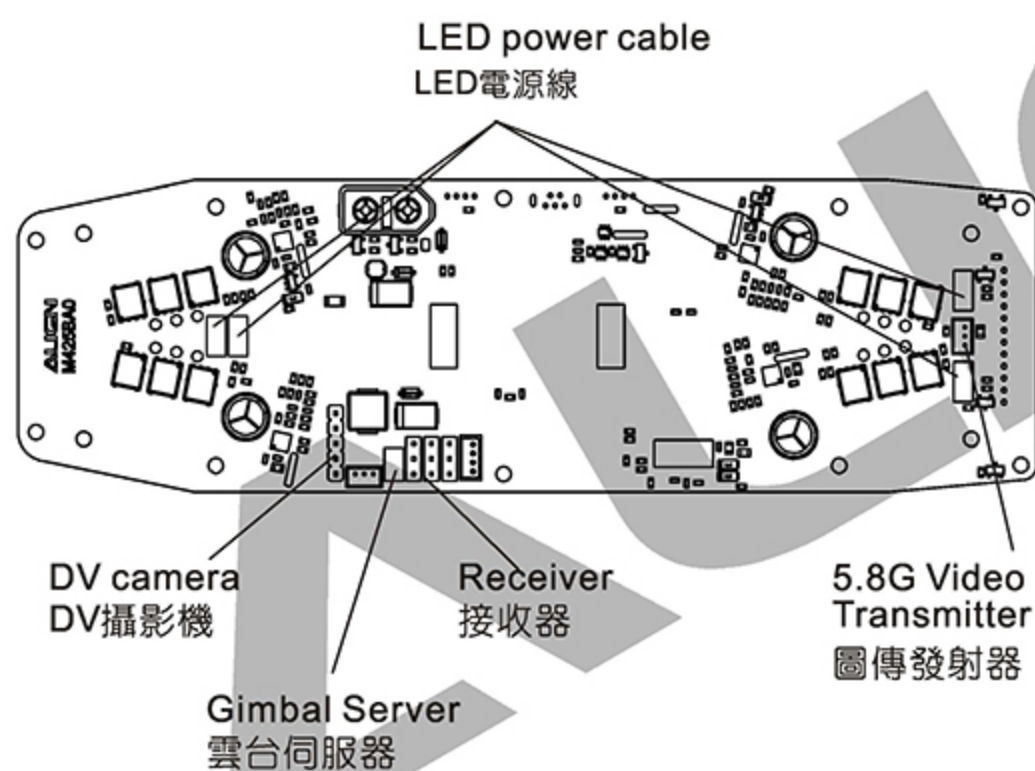
4 Remove the main frame.

將機身上側板拆除。



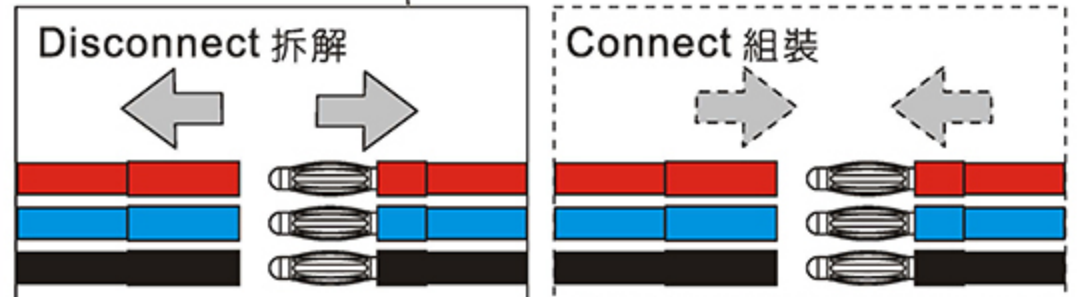
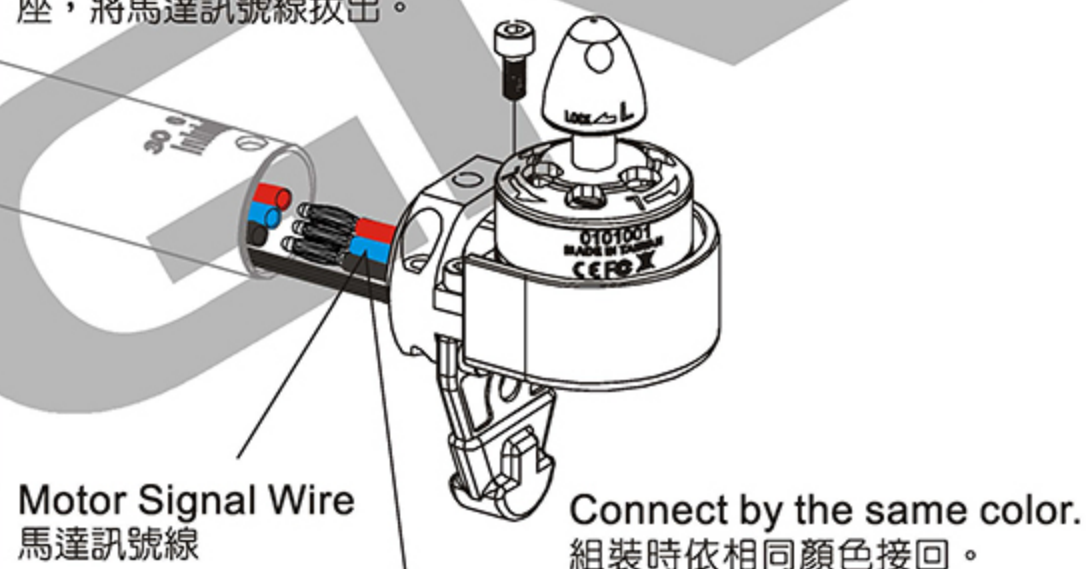
5 Temperately remove all the connection on circuit board, such as LED power cable, gimbal server, DV camera, receiver, 5.8G video transmitter.

將連接於飛控電路板上接線一併暫時移除，如：LED電源線、雲台伺服器、DV攝影機、接收器、圖傳發射器等等。



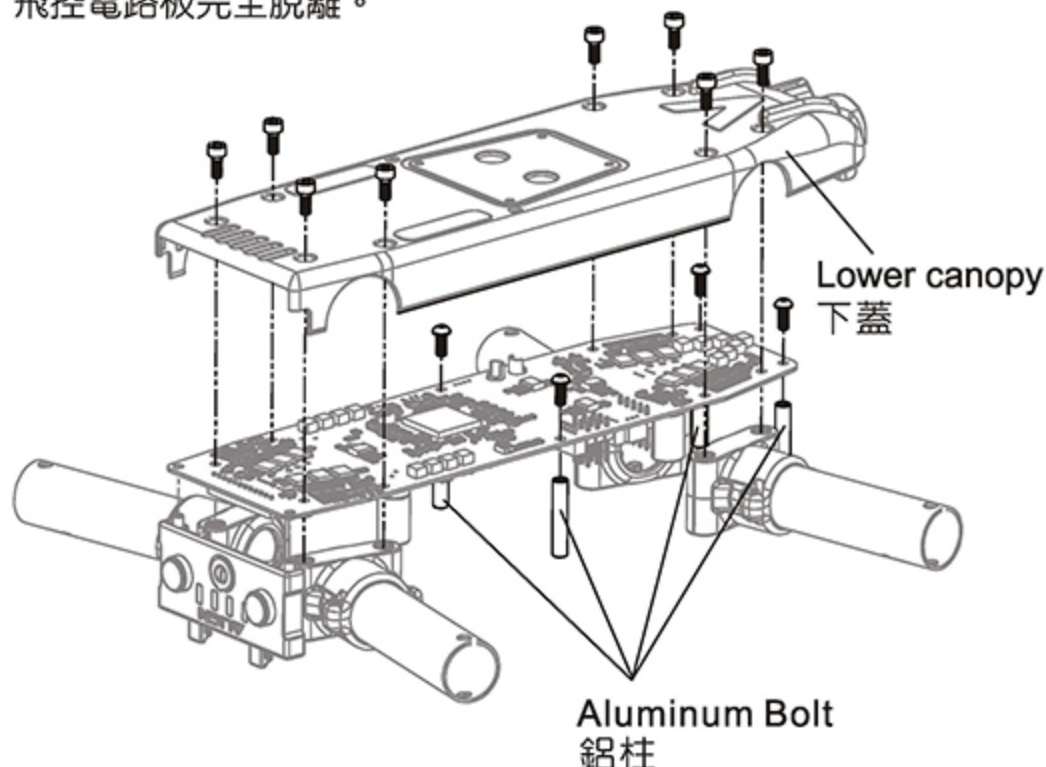
6 Loosen the M2.5x6mm socket button head screw on motor mount, and carefully pull out the motor mount to disconnect the motor signal wire.

鬆開固定於馬達座上的 M2.5x6mm 圓內六角螺絲，輕輕拉出馬達座，將馬達訊號線拔出。



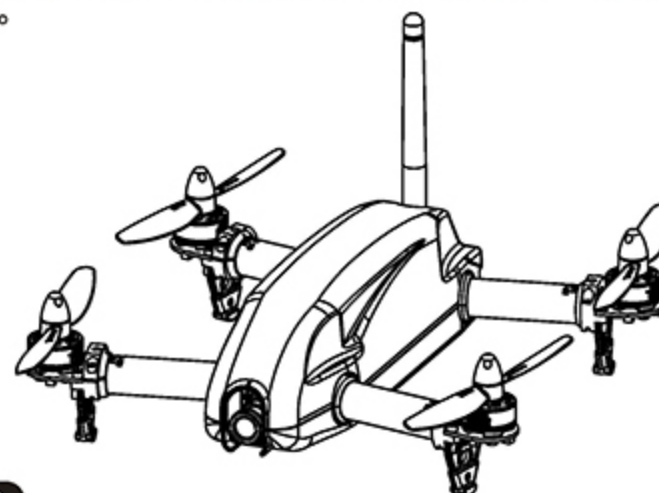
7 Loosen eight M2.5x6mm socket button head screws and four aluminum bolt on lower canopy to completely depart from circuit board.

鬆開固定下蓋的八顆 M2.5x6mm 圓內六角螺絲，以及四支鋁柱，使飛控電路板完全脫離。



8 After replacing MRS flight control circuit board, then re-install the units back sequentially from step 7 to step 1.

更換 MRS 飛控電路板後，再反序依步驟 7~步驟 1，組裝機身，並重新插回接線。



WARNING
警告

For safety reason, make sure that the assembly and App parameters setting are correct referring to related operation introduction before flying.

飛行前務必檢查機體組裝及 APP 設定的參數是否正確，並參考相關操作說明，以確保本身及機體的安全。