

# SPEED FUSELAGE INSTRUCTION MANUAL 使用說明書

ALIGN

FOR **TREX 700E PRO DEC**  
**TREX 700E DEC**

**3D**  
Unlimited Racing



## Contents

<b>1</b>	INTRODUCTION 前言
<b>1</b>	DESIGN FEATURES 設計特點
<b>2</b>	STANDARD EQUIPMENT 標準配備
<b>2</b>	EQUIPMENT REQUIRED FOR ASSEMBLY 自備設備
<b>3-8</b>	ASSEMBLY SECTION 組裝步驟

Please read this manual carefully before assembling. We recommend that you keep this manual for future reference regarding tuning and maintenance.

進入遙控世界之前必須告訴您許多相關的知識與注意事項，以確保您能夠在學習的過程中較得心應手。在開始操作之前，請務必詳閱本說明書，相信一定能夠給您帶來相當大的幫助，也請您妥善保管這本說明書，以作為日後參考。

# INTRODUCTION

## 前言

ALIGN

Thank you for buying ALIGN Products. Please read the manual carefully before assembling the model, and follow all precautions and recommendations located within the manual. Be sure to retain the manual for future reference, routine maintenance, and tuning.

感謝您選購亞拓產品，請您詳細的閱讀完這本說明書之後再進行組裝以及操作這台直昇機，同時請您妥善的保存這本說明書、作為日後進行調整以及維修的參考。

### IMPORTANT NOTES 重要聲明

We recommend that you obtain the assistance of an experienced pilot before attempting to fly our products for the first time. A local expert is the best way to properly assemble, setup, and fly your model for the first time. The requires a certain degree of skill to operate, and is a consumer item. Any damage or dissatisfaction as a result of accidents or modifications are not covered by any warrantee and cannot be returned for repair or replacement. Please contact our distributors for free technical consultation and parts at discounted rates when you experience problems during operation or maintenance. As Align Corporation Limited has no control over use, setup, final assembly, modification or misuse, no liability shall be assumed nor accepted for any resulting damage or injury. By the act of use, setup or assembly, the user accepts all resulting liability.

模型商品屬於需高操作技術且為消耗性之商品，如經拆裝使用後，會造成不等情況零件損耗，任何使用情況所造成商品不良或不滿意，將無法於保固條件內更換新品或退貨，如遇有使用操作維修問題，本公司全省分公司或代理商將提供技術指導、特價零件供應服務。對使用者的不當使用、設定、組裝、修改、或操作不良所造成的破損或傷害，本公司無法控制及負責。任何使用、設定、組裝、修改、或操作不良所造成的破損、意外或傷害，使用者應承擔全部責任。

#### CAUTION 注意

- Fly only in safe areas, away from other people. Do not operate R/C aircraft within the vicinity of homes or crowds of people. R/C aircraft are prone to accidents, failures, and crashes due to a variety of reasons including, lack of maintenance, pilot error, and radio interference. Pilots are responsible for their actions and damage or injury occurring during the operation or as a result of R/C aircraft models.
- Prior to every flight, carefully check rotorhead spindle shaft screws and tail blade grip screws, linkage balls and screws, ensure they are firmly secured.
- 遙控模型飛機、直昇機屬高危險性商品，飛行時務必遠離人群，人為組裝不當或機件損壞、電子控制設備不良，以及操控上的不熟悉、都有可能導致飛行失控損傷等不可預期的意外，請飛行者務必注意飛行安全，並需了解自負疏忽所造成任何意外之責任。
- 每趟飛行前須仔細檢查，主旋翼夾座橫軸螺絲、尾旋翼夾座螺絲，以及機身各部位球頭、螺絲，確實上鎖鎖緊才能升空飛行。

## DESIGN FEATURES

### 設計特點

ALIGN

Utilizing wrap-around aerodynamic design, the brand new 700E Speed Fuselage has an attention grabbing unique curve. Its tail section is wrapped with painted carbon fiber shell, resulting in superior visibility in mid-air, and further enhance the beauty of highly difficult maneuvers. The low aerodynamic drag enables high speed flights to be easily achievable. In addition, the ergonomic design simplifies installation; just a few simple steps with few screws to complete the install, easily outfitting your helicopter with a beautiful body.

採用包覆式流線型設計的全新700E 競速機殼，外型突出亮艷，尾部使用彩繪碳纖維尾殼包覆，擁有絕佳的空中辨識度，能展現各種高難度飛行動作的力與美，低風阻設計更是能帶出高速飛行的快感。此外，人性化的簡易安裝設計，只要幾個步驟、幾顆螺絲就安裝完成，輕鬆為您的直昇機換上美麗的新裝。

# STANDARD EQUIPMENT

標準配備

ALIGN

Competitive Speed Fuselage, suitable for T-REX 700E PRO DFC / T-REX 700E DFC helicopter series.

競速機殼，適用於T-REX 700E PRO DFC / T-REX 700E DFC 遙控直昇機系列。

Before Assembling:

1. Take inventory of all parts to ensure no missing pieces.
2. Some basic tools are needed to help with assembly.

組裝前準備事項：

1. 組裝之前請先確定內容物是否有缺失，仔細詳對後方可進行組裝。
2. 組裝過程裡需要一些簡單的工具協助組裝。

Competitive speed fuselage - Canopy

競速機殼機頭罩



Carbon Fiber Vertical Stabilizer

碳纖維垂直翼



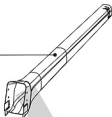
700E Speed Fuselage Main Blade Holder

700E 競速機殼主旋翼固定架



Competitive speed fuselage Tail boom Cover

競速機殼尾管



Socket collar screw

圓頭內六角軸套螺絲 (M3x30mm) x2



Socket button head collar screw

半圓頭內六角軸套螺絲 (M3x8mm) x2



# EQUIPMENT REQUIRED FOR ASSEMBLY

自備設備

ALIGN

1. T-REX 700E PRO DFC

2. T-REX 700E DFC

1. 無平衡翼系統直昇機 T-REX 700E PRO DFC

2. 無平衡翼系統直昇機 T-REX 700E DFC



Tool 自備工具



Hexagon Screw Driver  
六角螺絲起子 2.5mm



Ball Link Plier  
拔豆鉗

Blue  
藍色



T43 Thread Lock  
T43 螺絲膠

# ASSEMBLY SECTION

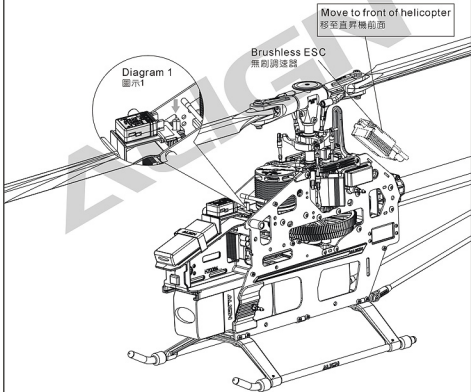
組裝步驟

ALIGN

## STEP 1. 步驟 1

Please relocate the mounting location of electronic speed controller (ESC) from rear mount to top or behind the receiver mount (as shown in diagram). If mounted behind the receiver mount, ensure the bottom of ESC is flush with gyro mount and that it does not interfere with battery mounting plate.

請將安裝在固定板上的調速器位置移到接收器座組上或接收器座後方(如下圖所示)，如果安裝在接收器後方時，電變要與陀螺儀固定座切齊，避免與電池固定板干涉。



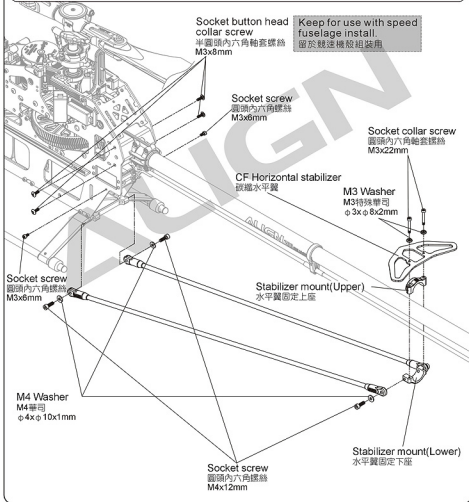
# ASSEMBLY SECTION

## 組裝步驟

ALIGN

### STEP 2. 步驟 2

1. Remove the 4 M3x8mm socket button head collar screw and M3x6mm socket collar screws from tail boom mount; keep the 4 M3x8mm socket button head collar screw for use with installation of speed fuselage.
  2. Remove the carbon fiber horizontal stabilizer, stabilizer mount, and tail boom brace set.
1. 將鎖在尾管固定座上的半圓頭內六角軸套螺絲 M3x8mm、圓頭內六角軸套螺絲 M3x6mm 拆下，將四顆半圓頭內六角軸套螺絲 M3x8mm 留於競速機殼組裝用。
2. 將碳纖維水平翼、水平翼固定座與尾支撐桿拆下。



# ASSEMBLY SECTION

組裝步驟

ALIGN

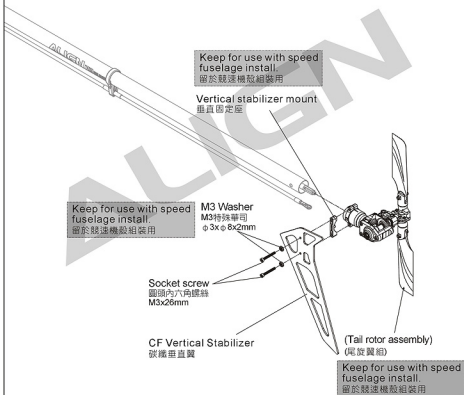
## STEP 3. 步驟 3

1. Loosen the two M3x26mm socket screw, M3 washer; remove the vertical stabilizer, and stabilizer mount.

2. Remove the complete tail rotor assembly.

1. 請鬆開圓頭內六角螺絲M3x26mm螺絲、M3特殊華司，將垂直翼跟垂直固定座拆下。

2. 將尾旋翼組整組拆下。



# ASSEMBLY SECTION

## 組裝步驟

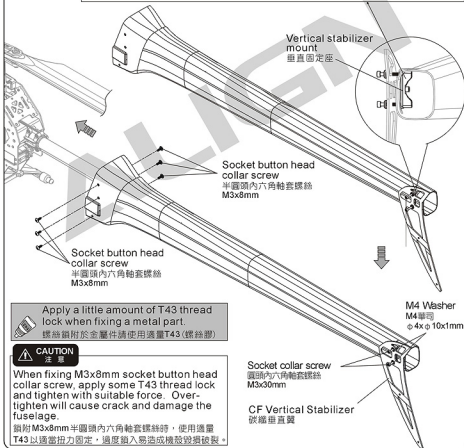
ALIGN

### STEP 1. 步驟 1

1. Temporarily mount the carbon fiber vertical stabilizer and vertical stabilizer mount on the speed fuselage's tail boom cover by threading it with M3x30mm socket collar screws and M4 washer.
2. Slide the speed fuselage's tail boom cover onto the carbon fiber tail boom from the rear; secure with socket collar screws.

1. 先將碳纖維垂直翼、垂直固定座用圓頭內六角軸套螺絲M3x30mm、M4華司穿過尾殼速機殼尾管固定。
2. 將殼速尾管由後方穿入套在碳纖維尾管上，鎖上圓頭內六角軸套螺絲。

To simplify mounting of tail rotor assembly, firstly mount the vertical stabilizer mount onto carbon fiber tail boom with socket collar screw.  
先將垂直翼固定座用圓頭內六角軸套螺絲固定在碳纖維尾管上，方便尾旋翼組裝入。



# ASSEMBLY SECTION

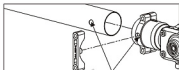
## 組裝步驟

ALIGN

### STEP 2. 步驟 2

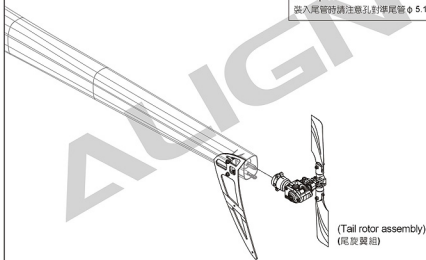
Re-install the tail rotor assembly onto the tail boom; tighten the socket collar screws on vertical stabilizer.

將尾旋翼組裝回尾管，並將固定在垂直翼上的圓頭內六角軸套螺絲鎖緊。



When assembling the tail rotor assembly, please aim at the fixing hole  $\phi 5.1$

裝入尾管時請注意孔對準尾管  $\phi 5.1$  固定孔。



(Tail rotor assembly)  
(尾旋翼組)



Apply a little amount of T43 thread lock when fixing a metal part.

螺絲鎖附於金屬件請使用適量T43(螺絲膠)



CAUTION

注意

When fixing M3x30mm socket collar screw, apply some T43 thread lock and tighten with suitable force. Over-tighten will cause crack and damage the fuselage.

鎖附M3x30mm圓頭內六角螺絲時，使用適量T43以適當扭力固定，過度鎖入易造成機殼毀損破裂。



# ASSEMBLY SECTION

## 組裝步驟

ALIGN

### STEP 3. 步驟 3

Ensure the correct installation of speed fuselage tail boom cover, then install the speed fuselage canopy from front of the helicopter. Mount the canopy over the canopy mounting bolt, and secure in place with R Pin.

確認競速尾管組裝無誤，再將競速機殼由機身前面裝入，扣入機身固定柱再使用 R 型插梢固定。

To simplify install or removal of canopy, rotate the main rotor head by 90 degrees to minimize stretching of the canopy.

裝上或拆下機殼前，先將主旋翼頭組旋轉90度可降低機殼擴張的強度，更輕易組裝。

Competitive speed fuselage - Canopy  
競速機殼機頭罩

R Pin  
R 型插梢

# ASSEMBLY SECTION

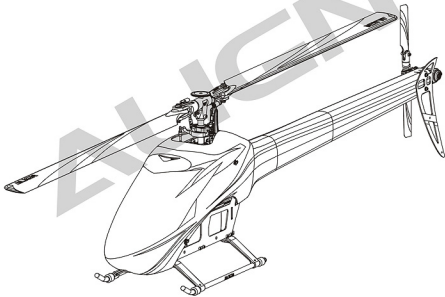
組裝步驟

ALIGN

## COMPLETE ILLUSTRATION 組裝完成圖

Before flying, please carefully check every part again to make sure all parts are firmly secured without any interference.

請在詳細檢查各部位是否確實鎖緊與固定，並確定無干涉情形後才可以飛行。



www.align.com  
www.align.com  
www.align.com.tw  
www.align.com.tw  
www.align.com.tw

# ALIGN

