

For Immediate Release: October 19, 2022

RIVAL MT8 RTR, Teal RIVAL MT8 RTR, Teal LiPo Combo

#20521
#20521C



ELECTRIC ▪ OFF ROAD ▪ 1:8 SCALE ▪ 4 WHEEL DRIVE ▪ RTR

Team Associated is proud to bring you the latest version in the monster truck line-up. The RIVAL MT8 is a powerful, purposeful, and built-to-last 1:8 scale monster truck capable of running on a single 6S or 4S LiPo battery. Its strength lies at the very core of this beast with its high-performance 2100kv high-torque Reedy brushless motor, 4mm aluminum main chassis with rigid aluminum center chassis supports, and a four-position adjustable wheelie bar. Power and durability are things you will never lack with this RIVAL MT8.

The RIVAL MT8 features a long-travel independent suspension that is managed by four 16mm big bore threaded-aluminum-bodied, fluid-filled, adjustable, coil-over shocks, giving the RIVAL MT8 the ability to roll over just about anything in its path. Giant aggressive monster truck tires provide maximum traction, letting the RIVAL MT8 claw through the toughest terrain with ease. The 4WD consists of a fully sealed, all-metal geared drivetrain that transfers the power through durable CVA drive shafts to both ends of the truck.

Whether you're smokin' tires on the asphalt, rippin' through the lawn or tearin' up a dirt field, Team Associated has you covered with the all-new RIVAL MT8!

The **#20521C LiPo Combo** comes with the #756 Reedy WolfPack LiPo 4000mAh 35C 14.8V and #27201 Reedy 324-S Compact Balance Charger.



WATCH THE VIDEO!

<https://youtu.be/vMyxvR45gnk>

HIGHLIGHTS

RIVAL MT8



Durable, impact-absorbing front bumper with LEDs



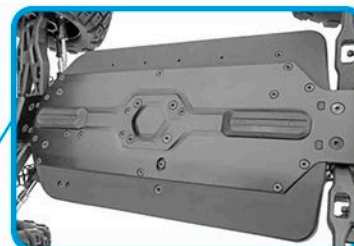
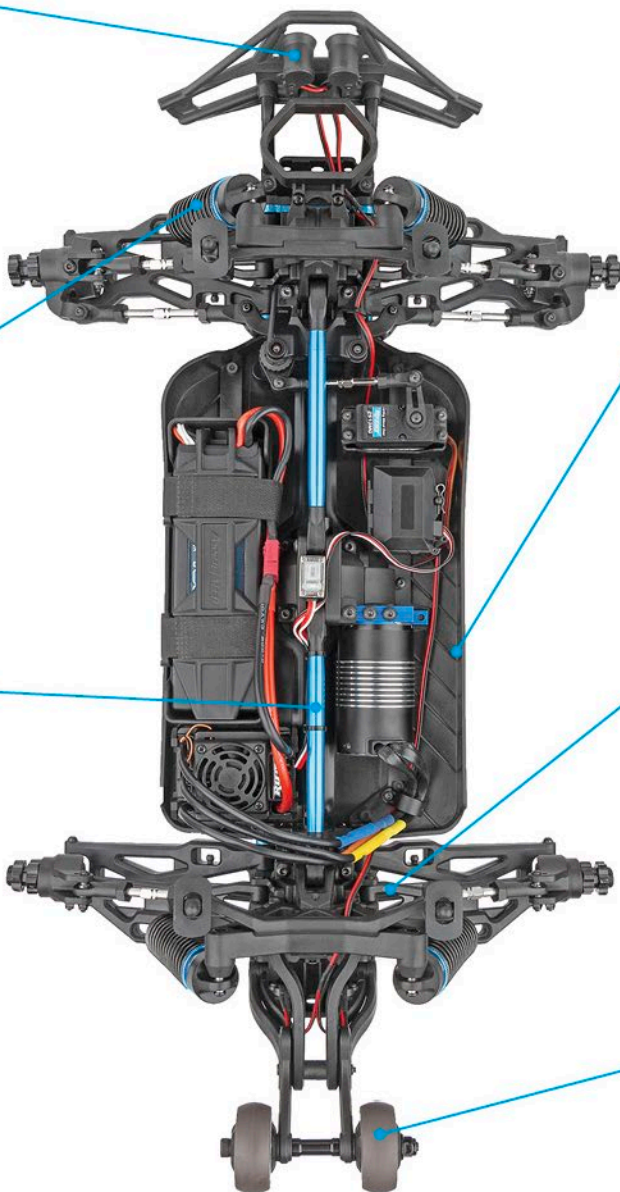
16mm big bore threaded aluminum shock bodies



Aluminum chassis braces



17mm hex wheels wrapped with high-traction, all-terrain tires



4mm thick aluminum main chassis



Heavy duty, hardened steel CVA axles



Four-position adjustable wheelie bar

Due to ongoing R&D, photos may not match final kit.
Vehicle shown on these pages equipped with items NOT included in #20520: Reedy batteries.

MORE FEATURES

- New “Teal” body scheme
- 4mm thick aluminum main chassis
- 22 precision ball bearings
- Heavy duty hardened steel CVA axles
- 16mm big bore threaded aluminum shock bodies
- Sealed drivetrain
- Three heavy-duty sealed silicone-filled gear differentials
- Rigid aluminum center chassis supports
- Aluminum suspension braces
- Four-position adjustable wheelie bar
- All metal-gear drivetrain
- Rugged steel turnbuckles
- High-torque digital servo
- Metal servo horn
- Single 6S or 4S ready 150A ESC
- 2100kv high-torque brushless motor
- 2.4GHz 2-channel radio system
- The **#20521C LiPo Combo** comes with the #756 Reedy WolfPack LiPo 4000mAh 35C 14.8V and #27201 Reedy 324-S Compact Balance Charger

SPECIFICATIONS

Scale	1:8
Power	Electric
Length	575mm (22.64")
Width	411mm (16.18")
Weight (without battery)	4.71kg (10.4 lb)
Wheelbase	330mm (13.0")
Drive	4WD

ITEMS NEEDED TO COMPLETE

- **#20521**: 14.8V 4S battery (Reedy #756)
- **#20521**: Suitable battery charger (#27201 Reedy 324-S Compact Balance Charger, 4S max.)
- **#20521, #20521C**: Four (4) AA batteries (Reedy #302), and 1:8/17mm Wheel Nut Wrench (AE #1571)

CATALOG INFORMATION

UPC	Part No.	Description	MAP	MSRP	Available
784695205215	20521	RIVAL MT8 RTR, Teal	\$509.99	\$759.99	November 2022
784695983892	20521C	RIVAL MT8 RTR, Teal LiPo Combo	\$624.99	\$919.99	November 2022

Version Comparison Chart

Model version Part No. & Description	Electronics Included			
	Motor	Radio, Servo, ESC, Receiver	Charger	Battery
20520 RIVAL MT8 RTR NEW! 20521 RIVAL MT8 RTR Teal	brushless	included	none	none
20520C RIVAL MT8 RTR LiPo Combo NEW! 20521C RIVAL MT8 RTR, Teal LiPo Combo	brushless	included	included	LiPo

Download all zipped photos here: <https://tinyurl.com/23rmz747> (11.6MB). Link is active for 30 days.



21062 Bake Pkwy
Lake Forest CA 92630
www.AssociatedElectrics.com

