

MT12 MONSTER SERIES

#40008C MT12 Monster Series Monster Van



1:12 Scale Ready-To-Run
Electric 4x4 Monster Van



READY-TO-RUN

1:12 Scale Ready-To-Run Electric 4x4 Monster Van Manual & Catalog



CHAMPIONS *by* DESIGN

TeamAssociated.com

TEAM ASSOCIATED



:: Introduction

Thank you for purchasing this Team Associated product. This assembly manual contains instructions and tips for building and maintaining your new RTR. Please take a moment to read through this manual to help familiarize yourself with these steps. We are continually changing and improving our designs; therefore, actual parts may appear slightly different than in the illustrations. New parts will be noted on supplementary sheets.

:: Vehicle Features

- Open front and rear differentials
- Steel pivot balls
- Steel 4-link bars
- Servo on chassis steering
- Steel C-channel frame rails
- Servo saver
- Fluid-filled shocks with threaded shock bodies
- Adjustable shock holes on towers
- Aluminum wheel hexes
- Adjustable front and rear body posts
- Metal front CVA and rear solid axle shafts with 12mm hex adapters
- Black anodized aluminum battery/radio tray with hook and loop hold-down strap
- Plastic low-friction slider-type drive shafts
- 16-piece metal-shield ball bearing set
- 2.4GHz XP transmitter and receiver
- Reedy Power speed control with high-current T-plug connector
- Reedy brushed 380 motor
- 850mAh Li-Ion 7.4V 2-cell battery and charger

:: Additional

Your new RTR comes factory assembled including radio gear, motor, and ESC.

However, there are some items you will need to complete your kit (refer to website for suggestions):

- AA-size batteries for transmitter (x4)

:: Other Helpful Items

- | | | |
|---|--|----------------------|
| • Silicone Shock Fluid (Refer to website for complete listings) | • Silicone Diff Fluid (Refer to website for complete listings) | |
| • Green Slime shock lube (AE # 1105) | • Cyanoacrylate glue (AE # 1597) | • Hobby Knife |
| • Thread Locking Compound (AE # 1596) | • Body Scissors (AE # 1737) | • Wire Cutters |
| • 7 Piece Hex Driver Set (AE # 1650) | • FT Nut Drivers (AE #1519) | • Soldering Iron |
| • Calipers or a Precision Ruler | • Reamer / Hole Punch | • Needle Nose Pliers |














Associated Electrics, Inc.
21062 Bake Parkway.
Lake Forest, CA 92630







Customer Service
Tel: 949.544.7500
Fax: 949.544.7501

:: Hardware - 1:1 Scale View

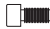
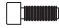





Button Head Screws (bhcs)

	2x10mm (41072)
	2.5x6mm (31520)
	2.5x8mm (31521)
	2.5x10mm (31522)
	2.5x12mm (21582)
	2.5x14mm (41073)
	2.5x18mm (81259)
	2.5x20mm (41074)
	2.5x25mm (41075)
	3x4mm (91158)
	3x8mm (31532)
	3x10mm (25211)
	3x20mm (25188)


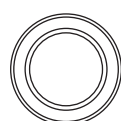
Flat Head Screws (fhcs)

	2.5x10mm (31350)
	2.5x12mm (41076)
	3x6mm (31541)
	3x8mm (25201)

Socket Head Screws (shcs)

	2x4mm (41070)
	2x5mm (31511)
	2x8mm (7187)
	2.5x6mm (41079)
	2.5x10mm (41087)
	2.5x14mm (71032)
	2.5x16mm (41086)

Bearings

	5x10x4mm (91560)
	10x15x4mm (91563)

Set Screws

	2.5x5mm (41119)
	3x3mm (25225)

Locknuts

	M3 Locknuts (25215) Aluminum (31550)
---	---

Notes:

:: Table of Contents

1..... Cover	9 - 11.....Front / Rear Suspension Build
2..... Introduction	12 - 13.....Drivetrain Build
3.....1:1 Hardware "Fold Out"	13 - 16.....Electronics Build
4..... Table of Contents	16 - 17.....Tires and Body Build
5 - 7.....Quick Start Guide	18..... Back Cover
8.....Shock Build	
9.....Gear Differential Build	

:: Notes

This symbol indicates a special note or instruction in the manual.



This symbol indicates a Racers Tip.



There is a 1:1 hardware foldout page in the front of the manual. To check the size of a part, line up your hardware with the correct drawing until you find the exact size. Each part in the foldout has a number assigned to it for ordering replacement parts.

**Associated Electrics, Inc.
21062 Bake Parkway.
Lake Forest, CA 92630**



**Customer Service
Tel: 949.544.7500
Fax: 949.544.7501**

:: Quick Start Guide

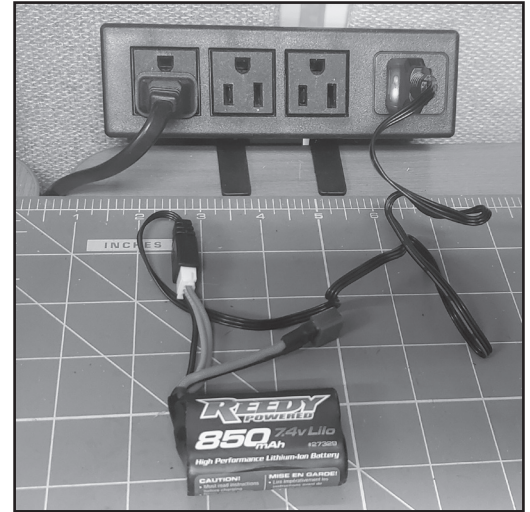
Battery Charging Steps and Safety:

Remove the battery from the vehicle before charging.
Place battery on a fire resistant surface.
Avoid any contact with water or other liquids.
Be sure to select the correct charging mode for the type of battery you are charging (if applicable).

ALWAYS use a compatible charger for charging your batteries.

Caution: Never leave the battery unattended while charging. Always disconnect the charger from the power source when finished charging.

Caution: Always disconnect the battery when you are finished driving the vehicle.



:: Quick Start Guide - (cont.)

Battery Installation:

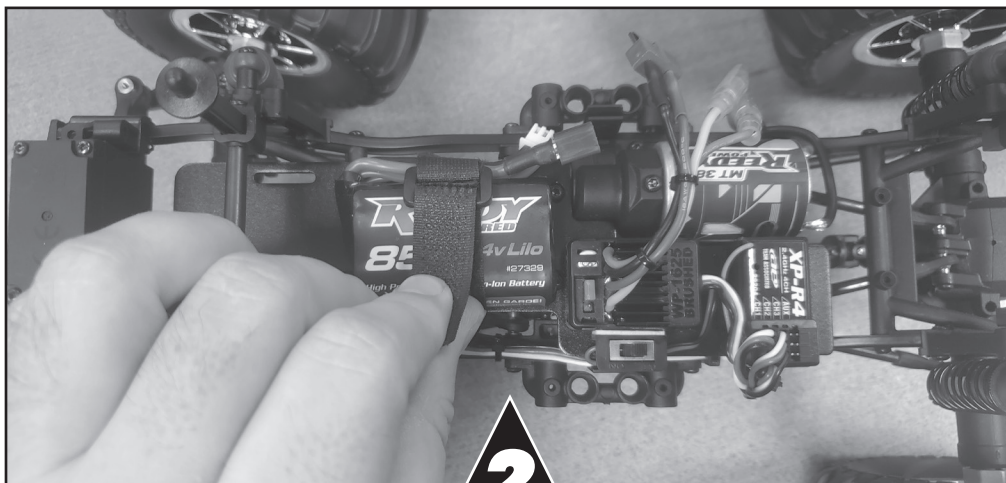
1. Install the battery with the battery wires directed towards the front of the vehicle.
2. Secure the hook and loop strap.

You may move the foam pad to either the front or the rear of the battery compartment to adjust the weight balance of the vehicle.

1



:: Quick Start Guide - (cont.)



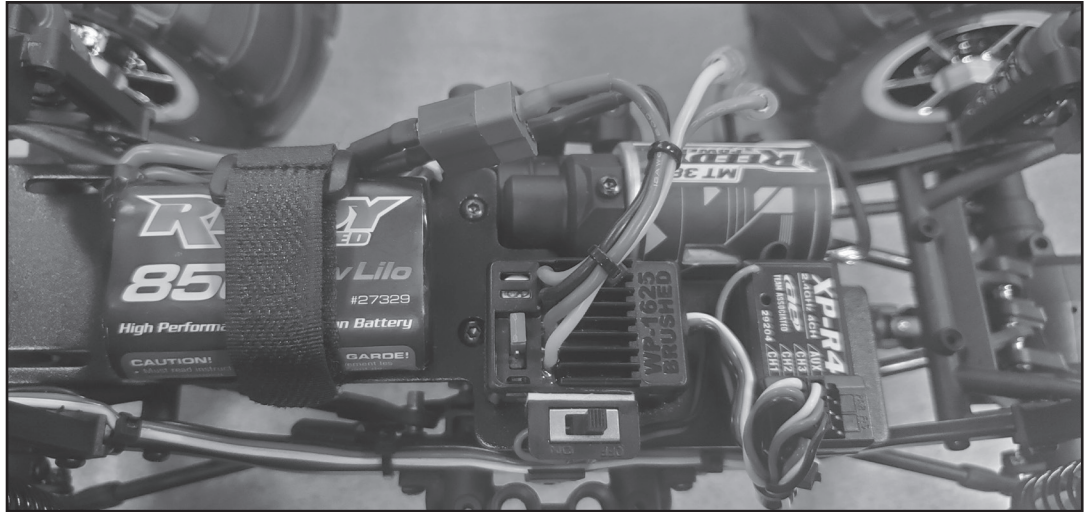
2

:: Quick Start Guide - (cont.)

Battery Notes and Tip:

Connect the battery as shown.
Disconnect the battery when not in use!

LiPo/LiLo: LiPo/LiLo batteries (lithium polymer / Lithium Ion) are high current rechargeable batteries. LiPo/LiLo batteries offer extended run time and peak performance over NiMH batteries. They require a peak detection charger designed specifically for LiPo/LiLo batteries. These batteries require special care and handling. LiPo/LiLo batteries are recommended for advanced users only! **ALWAYS** charge a LiPo/LiLo battery in LiPo/LiLo mode.



:: Quick Start Guide - (cont.)

Radio System Tuning and Controls:

RULE: Transmitter on First/Vehicle on Second,
Vehicle off First/ Transmitter off Last!

- 1) Slide the battery cover to remove cover.
- 2) Install alkaline or rechargeable AA size batteries into the battery holder.
- 3) Slide the battery cover back into place making sure it is completely closed and secure.
- 4) Turn the power ON. If the power indicator LED fails to light, check the batteries for insufficient contact or incorrect polarity.



On/Off Switch

:: Quick Start Guide - (cont.)

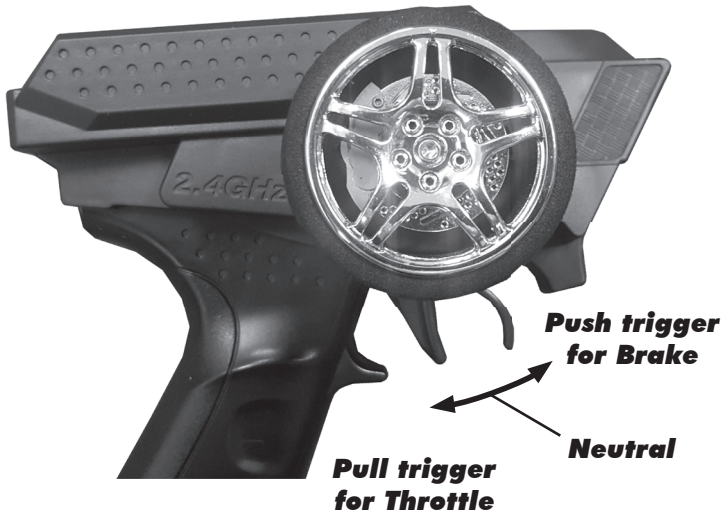
Radio System Tuning and Controls:

DO NOT hold the trigger when turning on the radio.

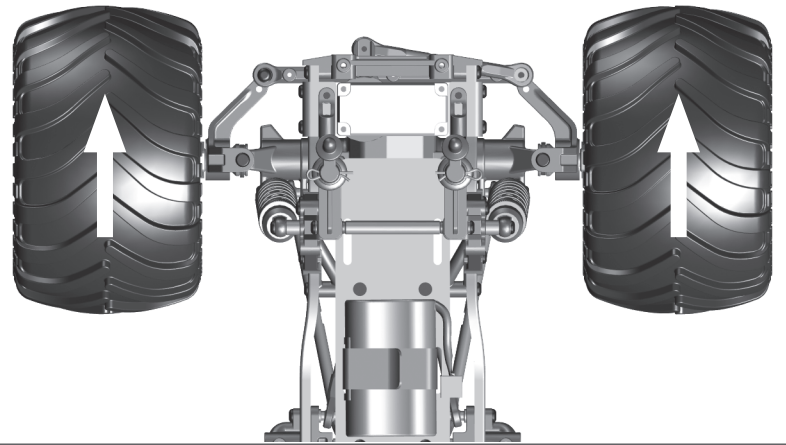
If using optional battery for transmitter, be sure to plug it in correctly. Plugging in a battery backwards can cause damage.

Refer to Radio owners manual for more in-depth instructions on radio operation and functions.

Adjust steering trim so front wheels point straight.

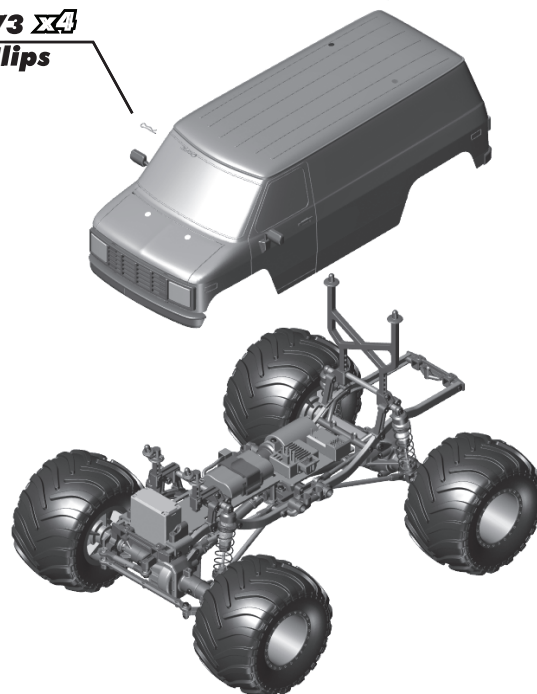


Throttle set to Neutral!



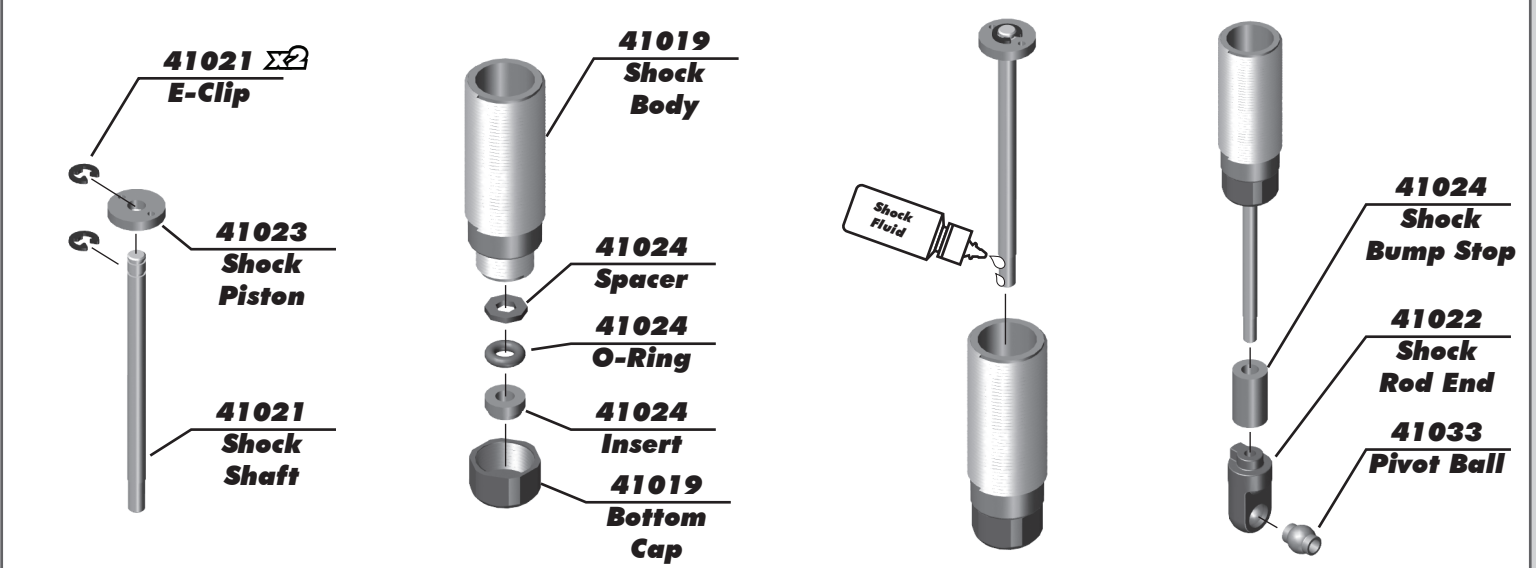
:: Quick Start Guide - (cont.)

21173 x4
Body Clips

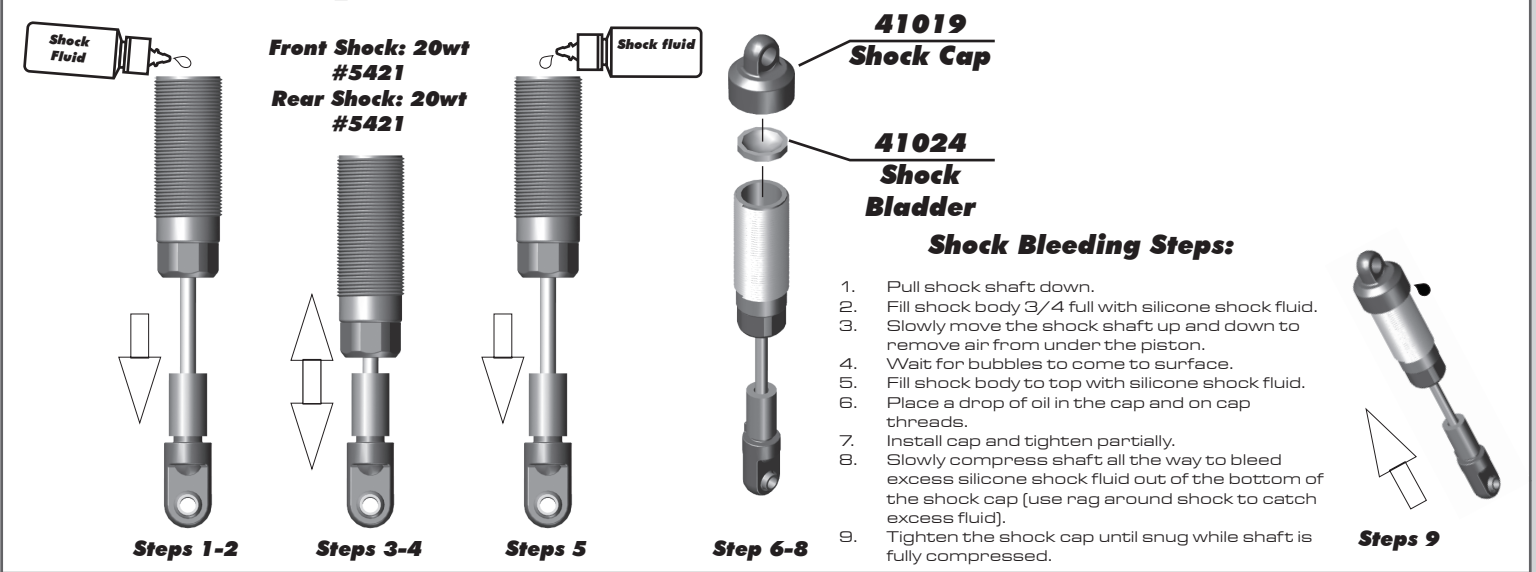


Install body and body clips.
Ready to go!

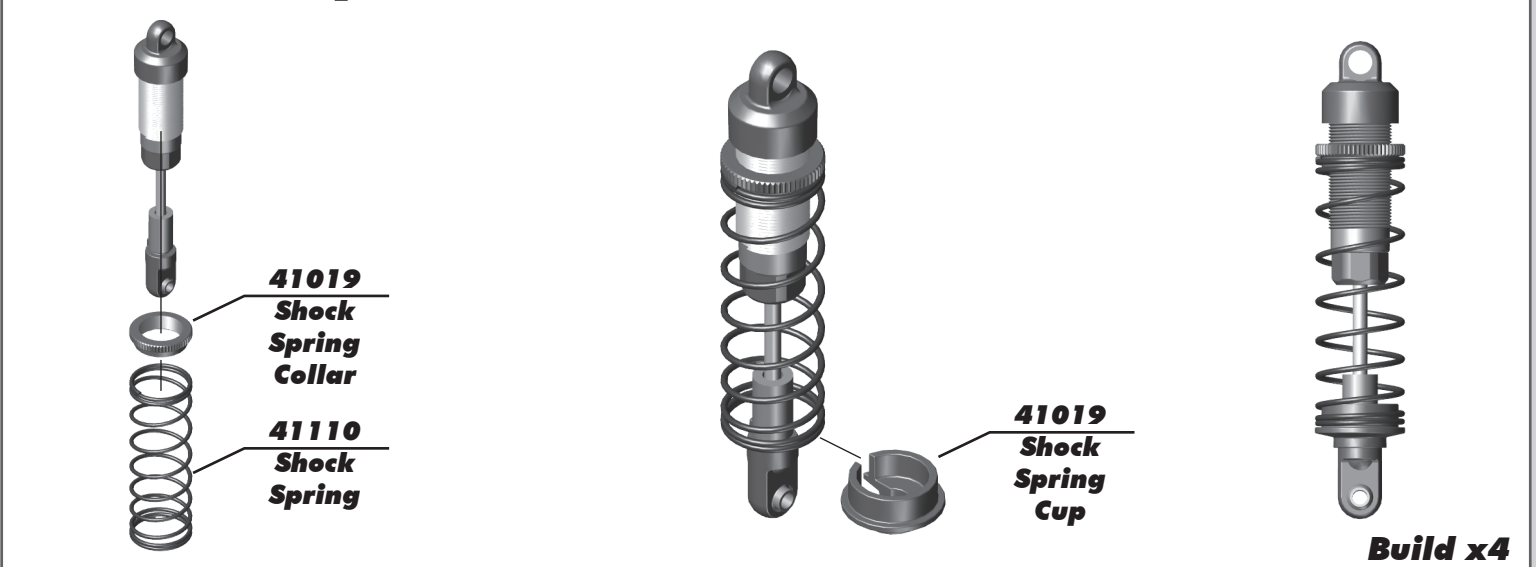
:: Shocks Build - Step 1



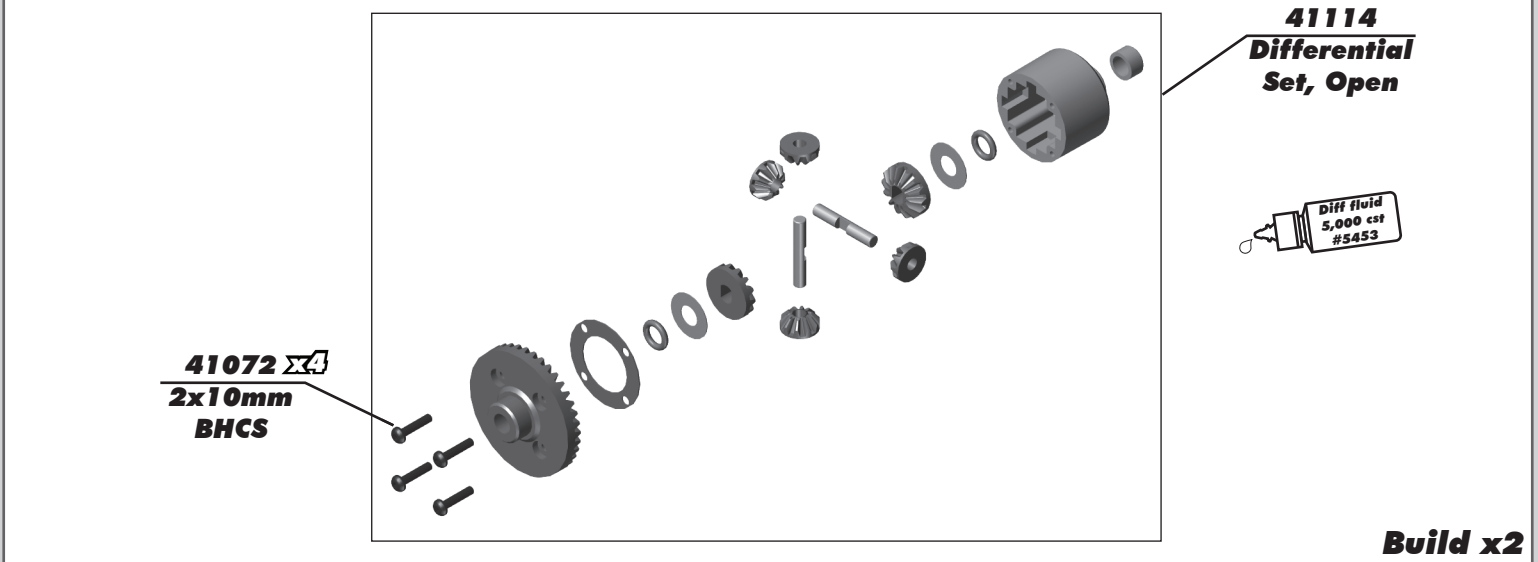
:: Shocks Build - Step 2



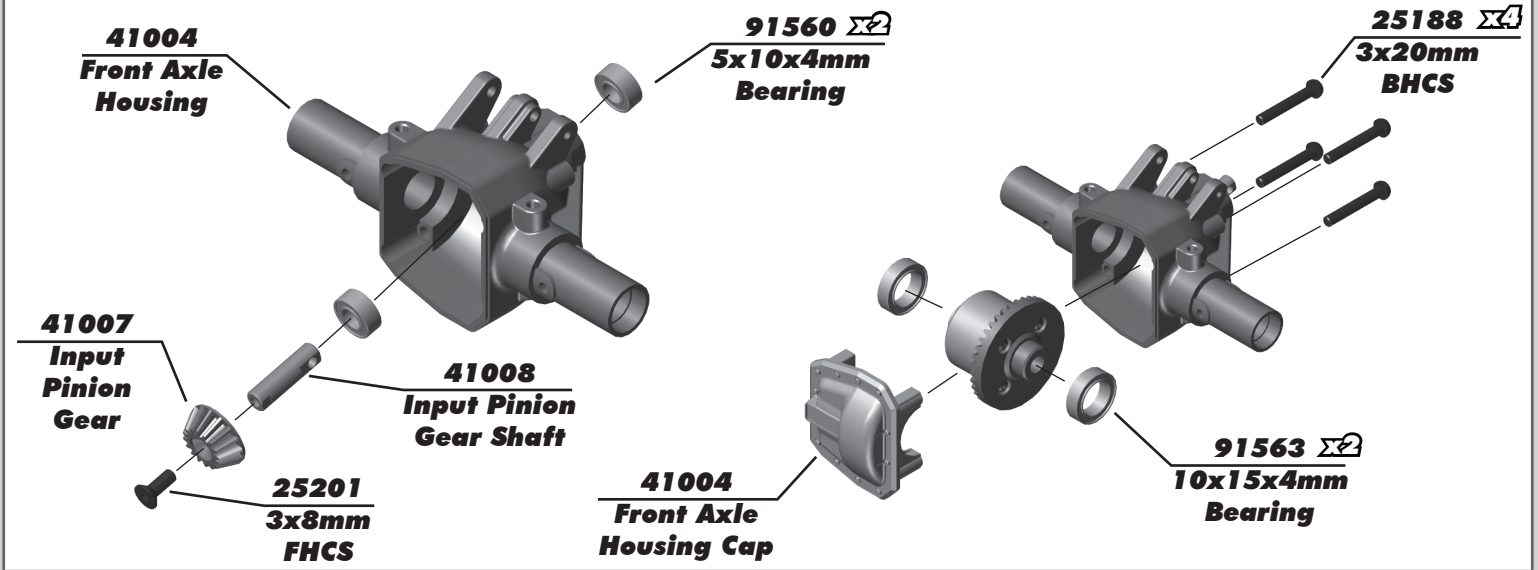
:: Shocks Build - Step 3



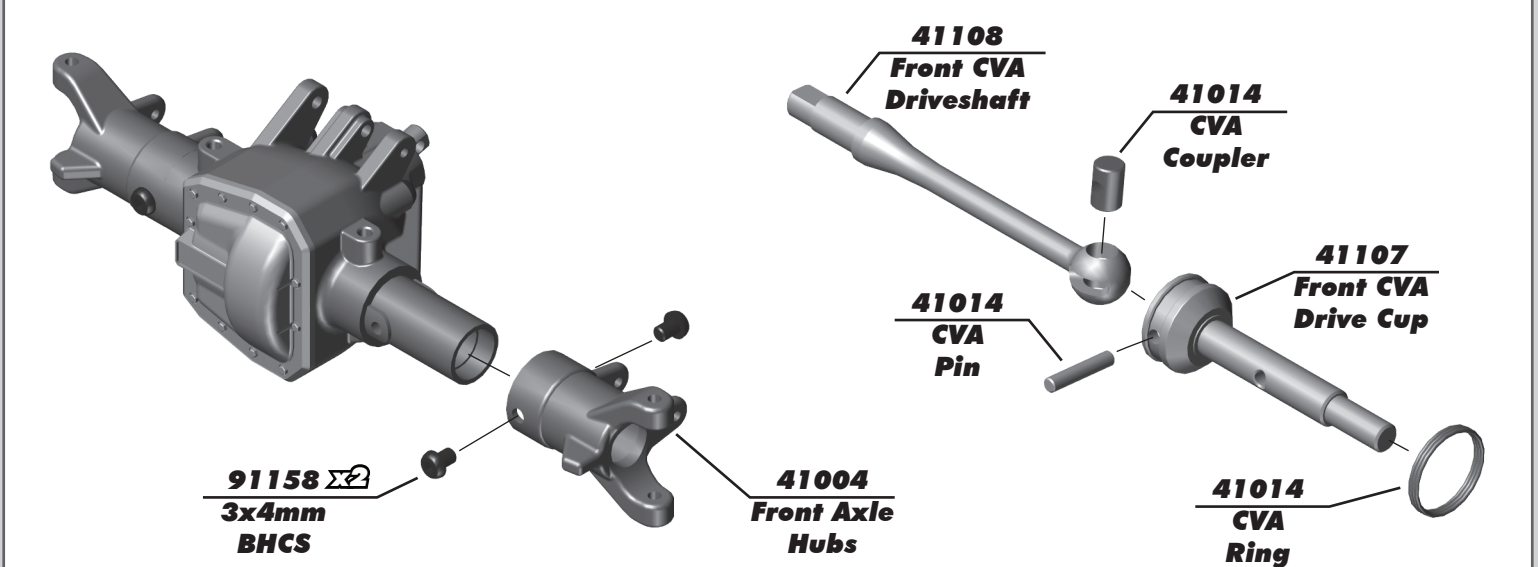
:: Front / Rear Differential Build - Step 1



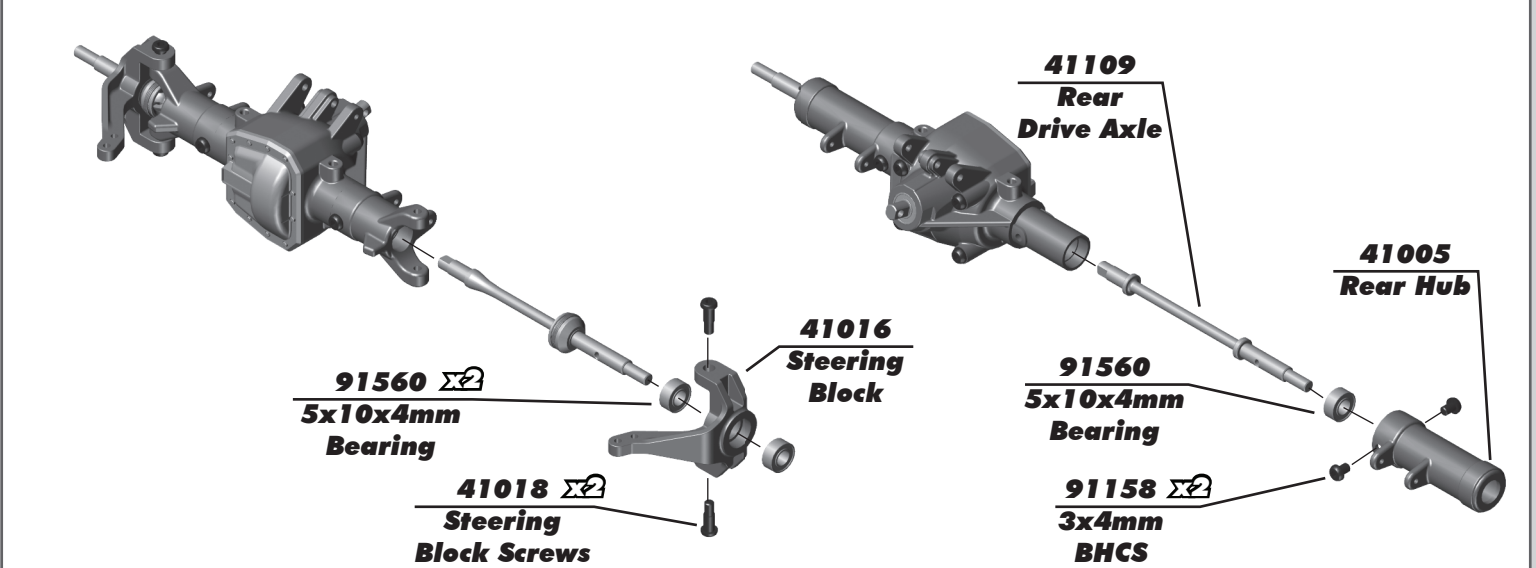
:: Front / Rear Axle Build - Step 1



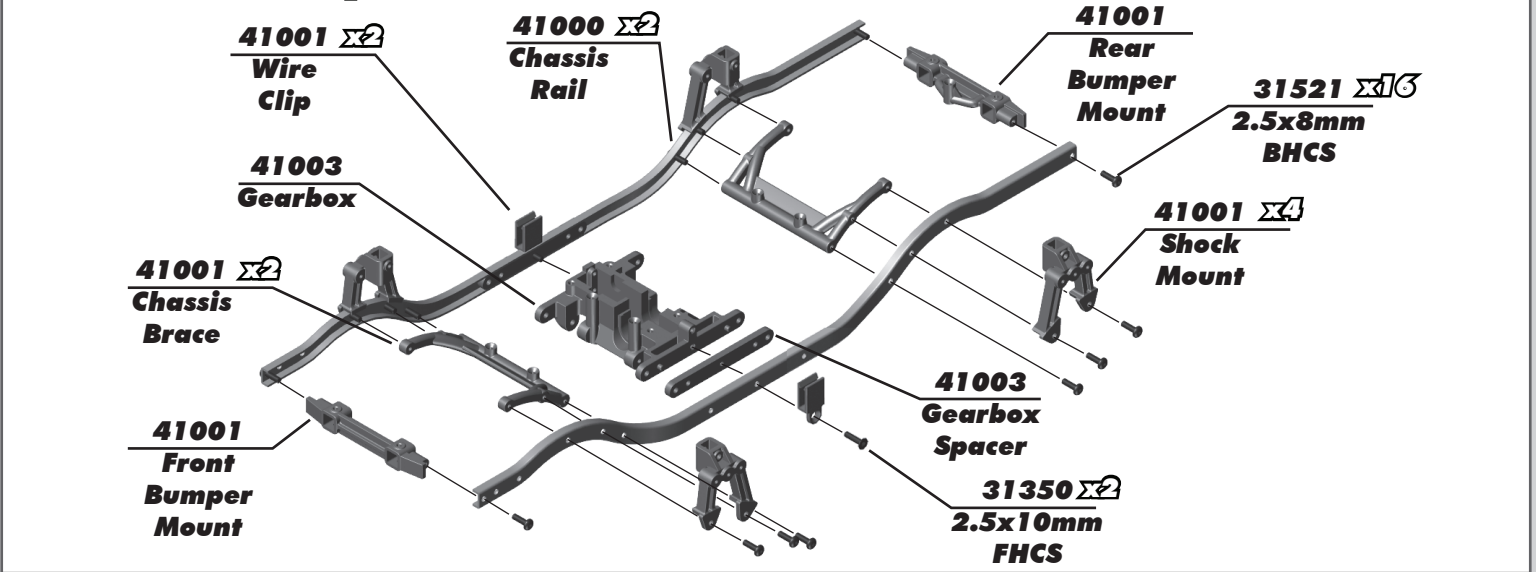
:: Front / Rear Axle Build - Step 2



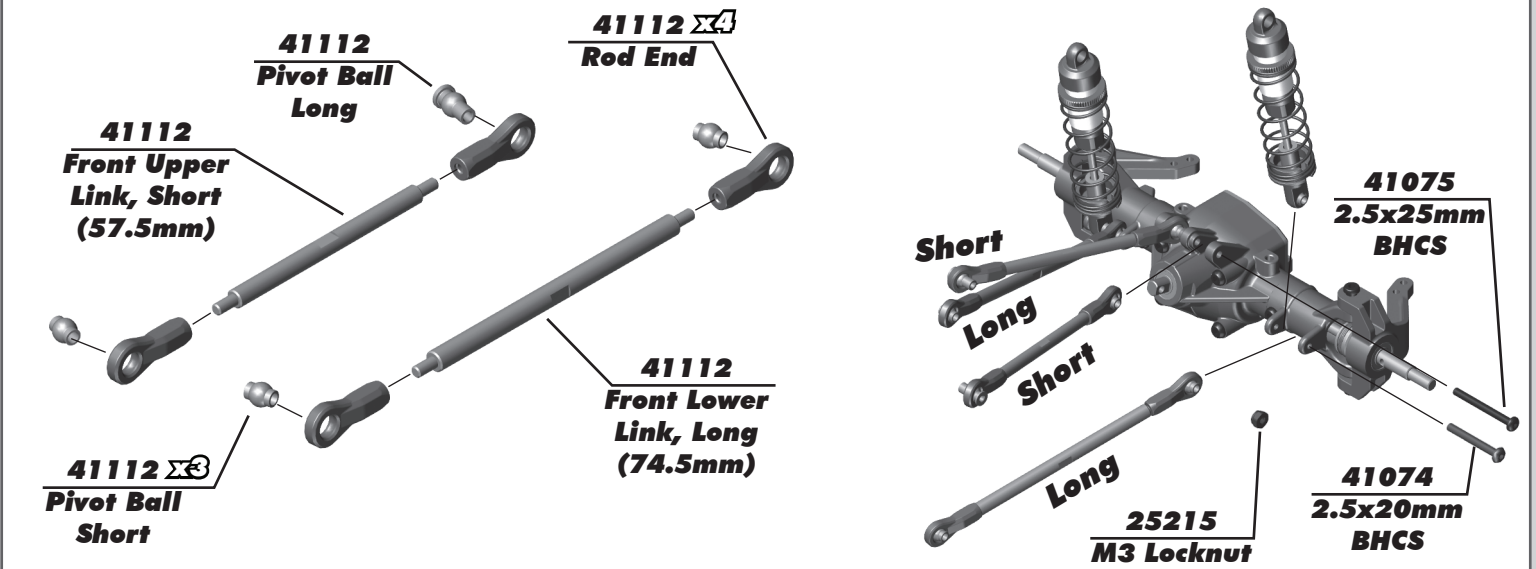
:: Front / Rear Axle Build - Step 3



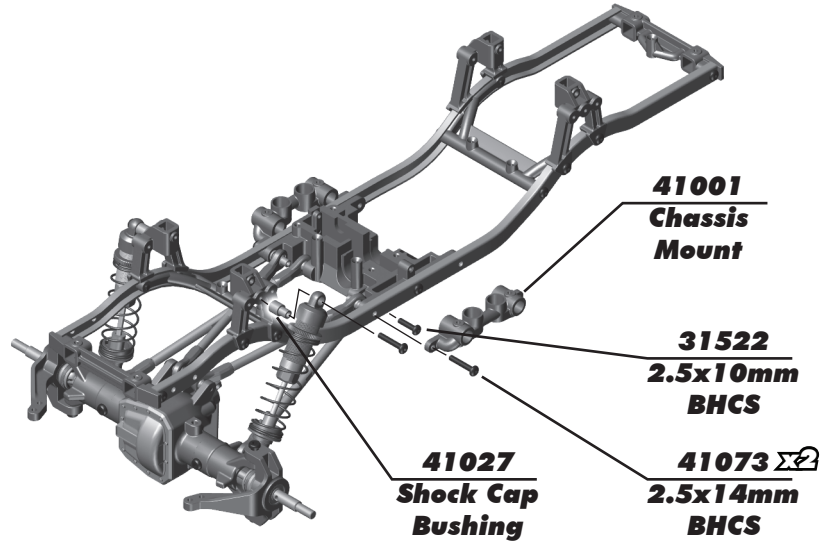
:: Chassis Build - Step 1



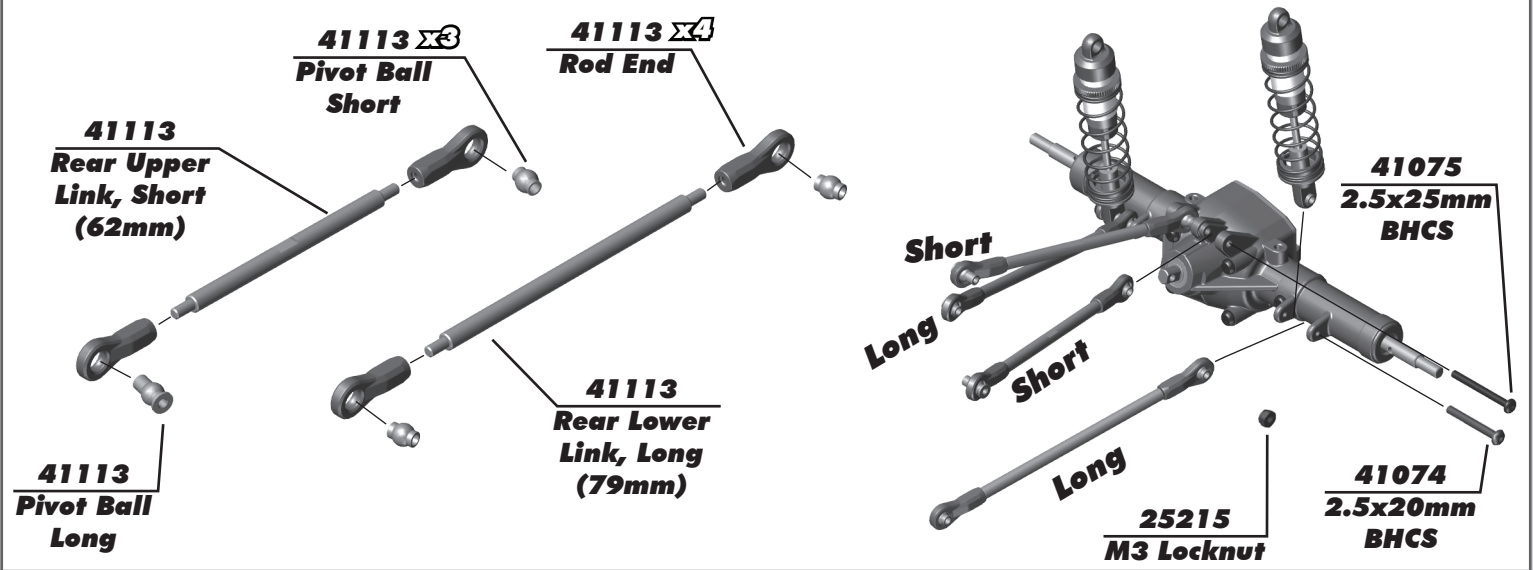
:: Front / Rear Suspension Build - Step 1



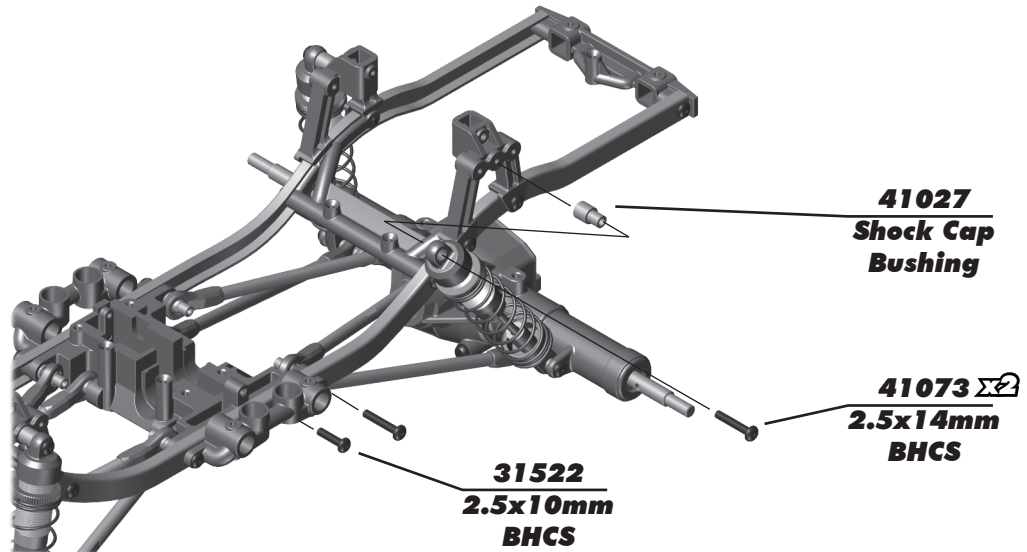
:: Rear Suspension Build - Step 2



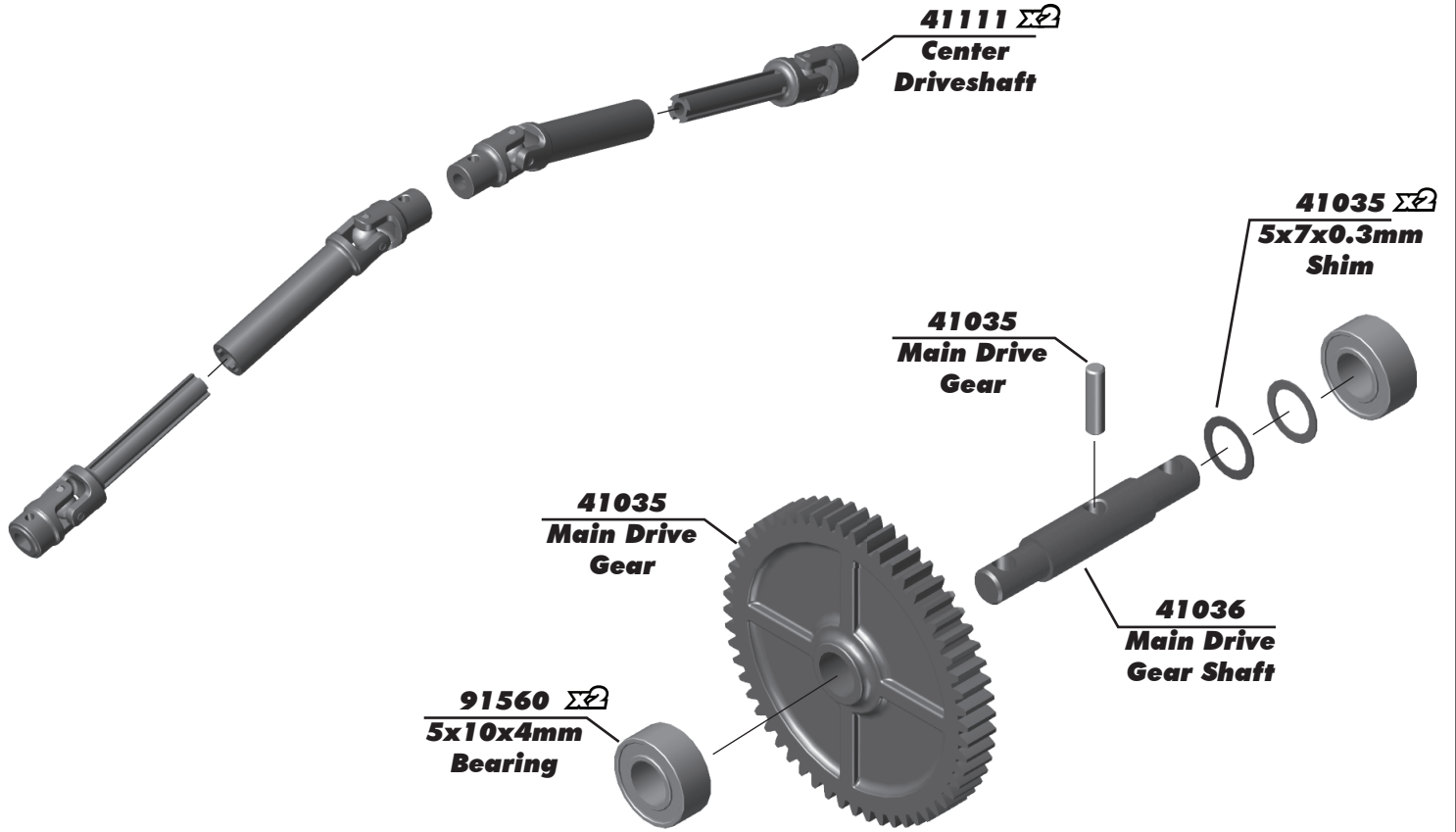
:: Front / Rear Suspension Build - Step 3



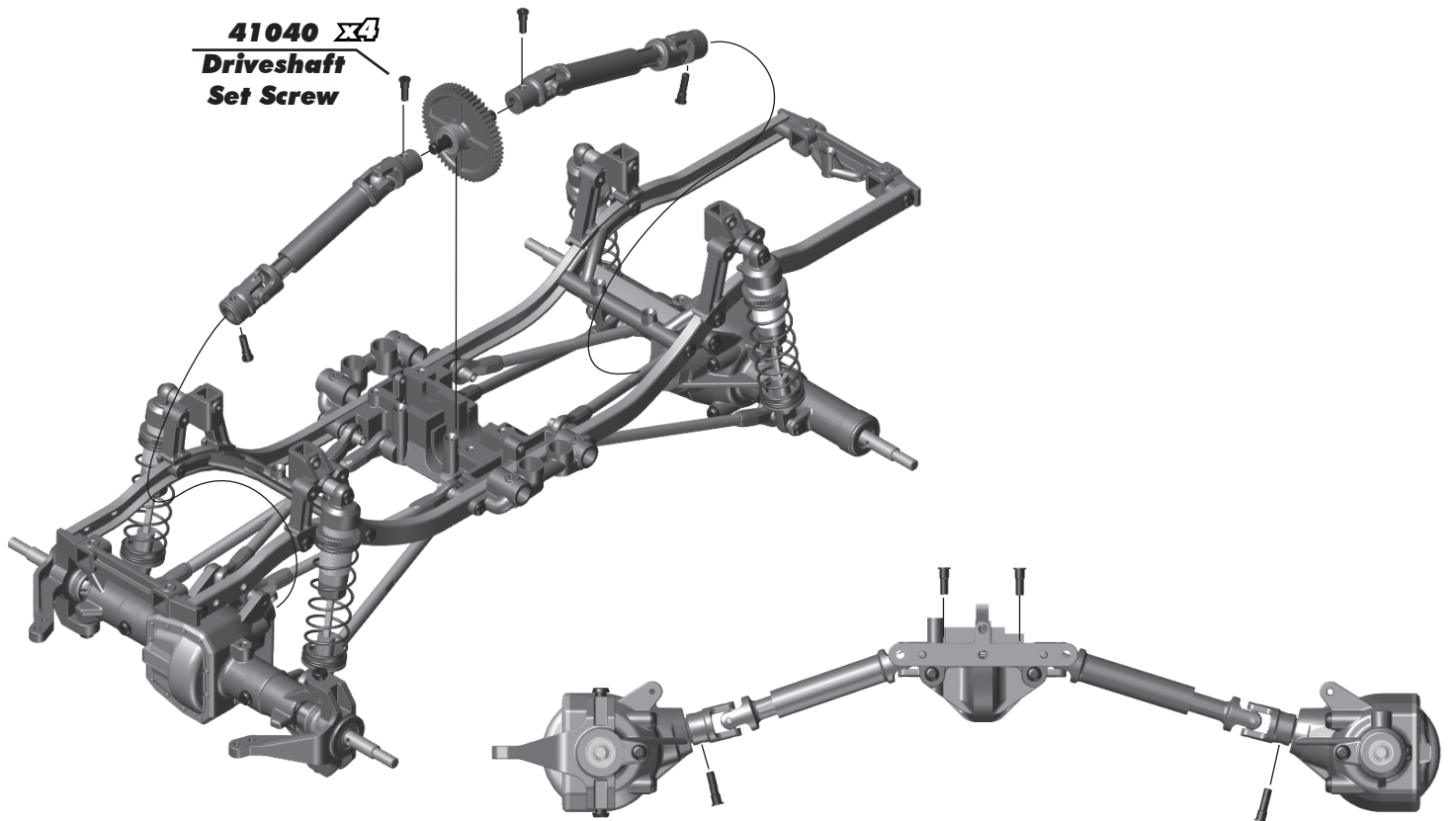
:: Front / Rear Suspension Build - Step 4



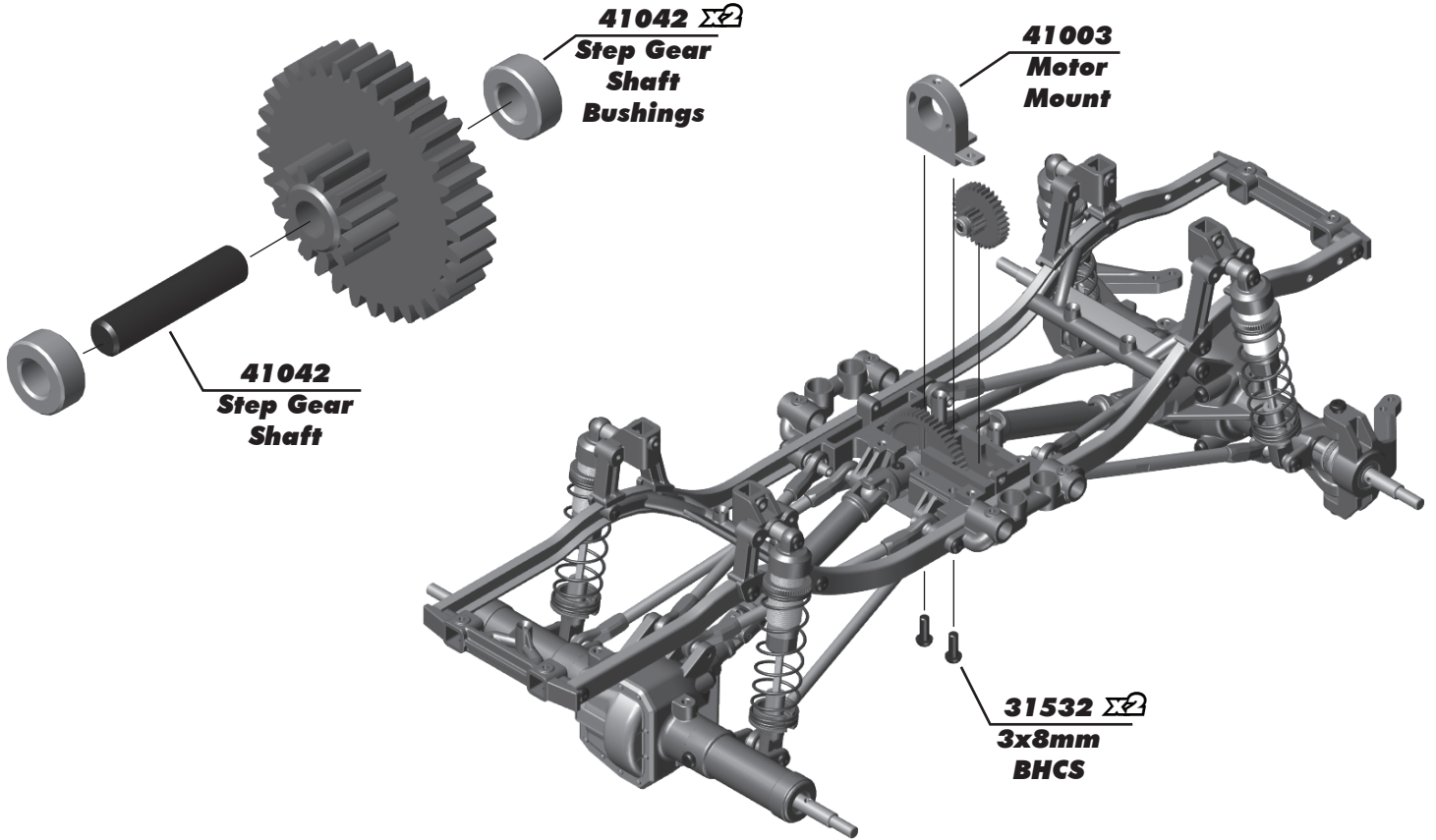
:: Drivetrain Build - Step 1



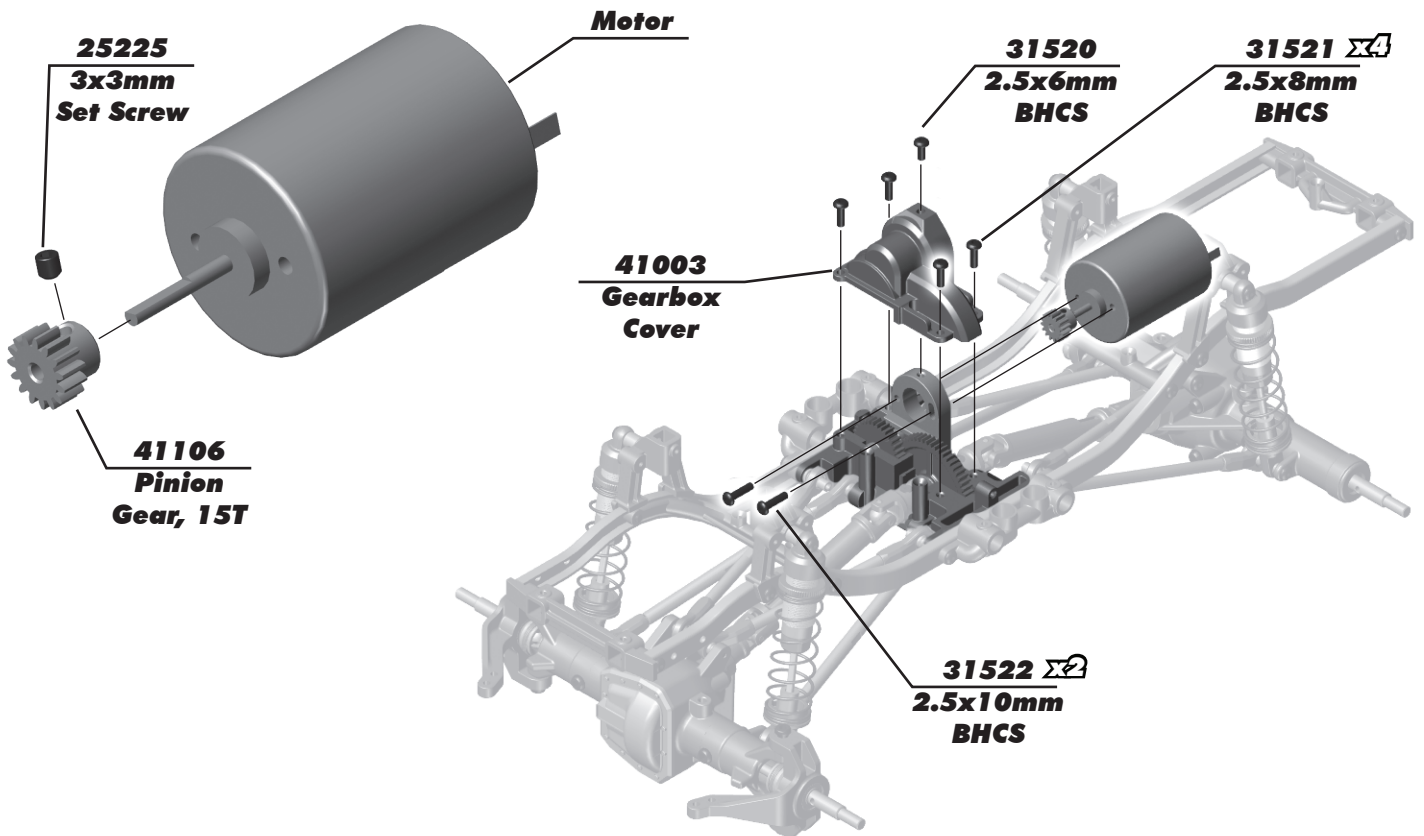
:: Drivetrain Build - Step 2



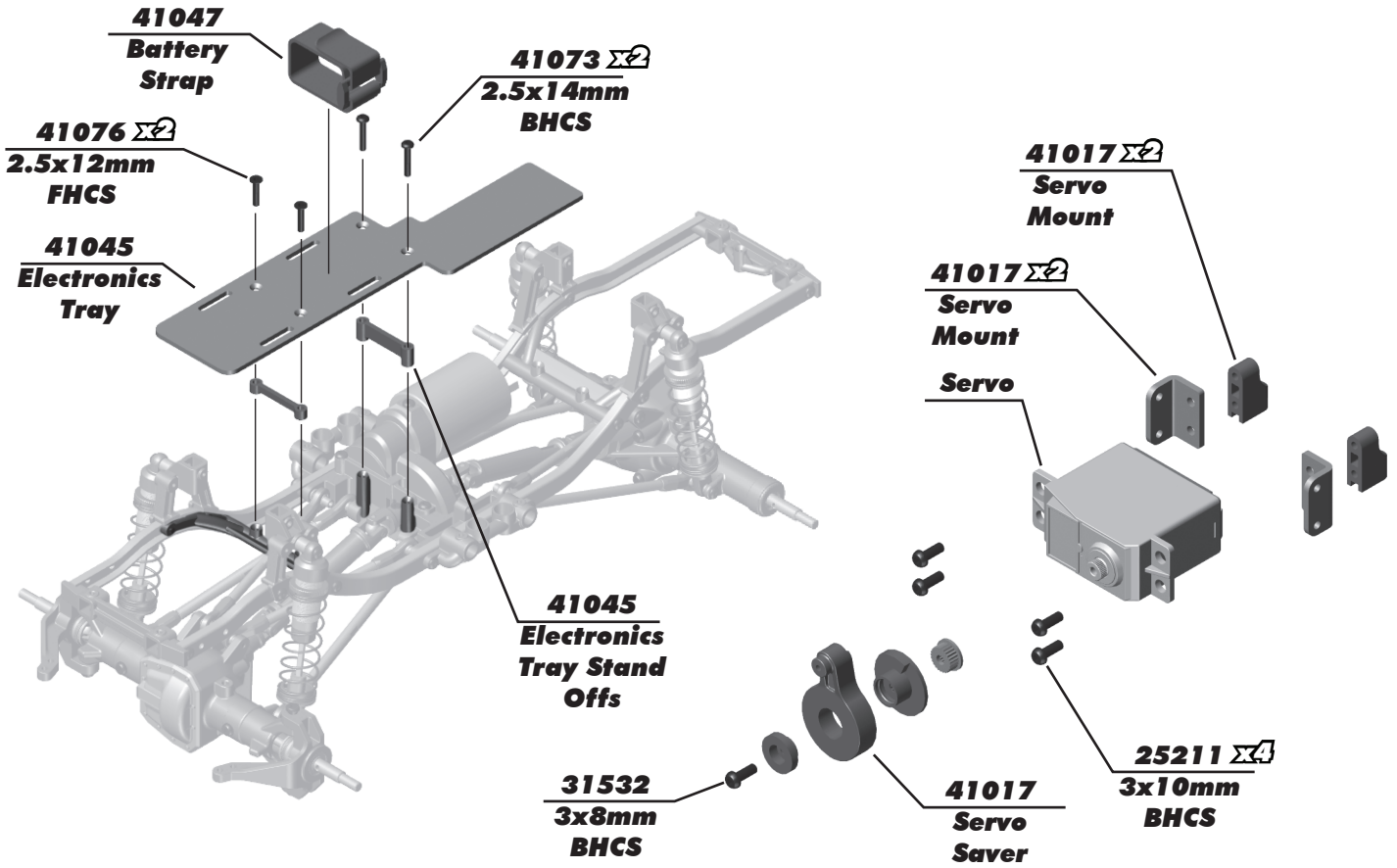
:: Drivetrain Build - Step 3



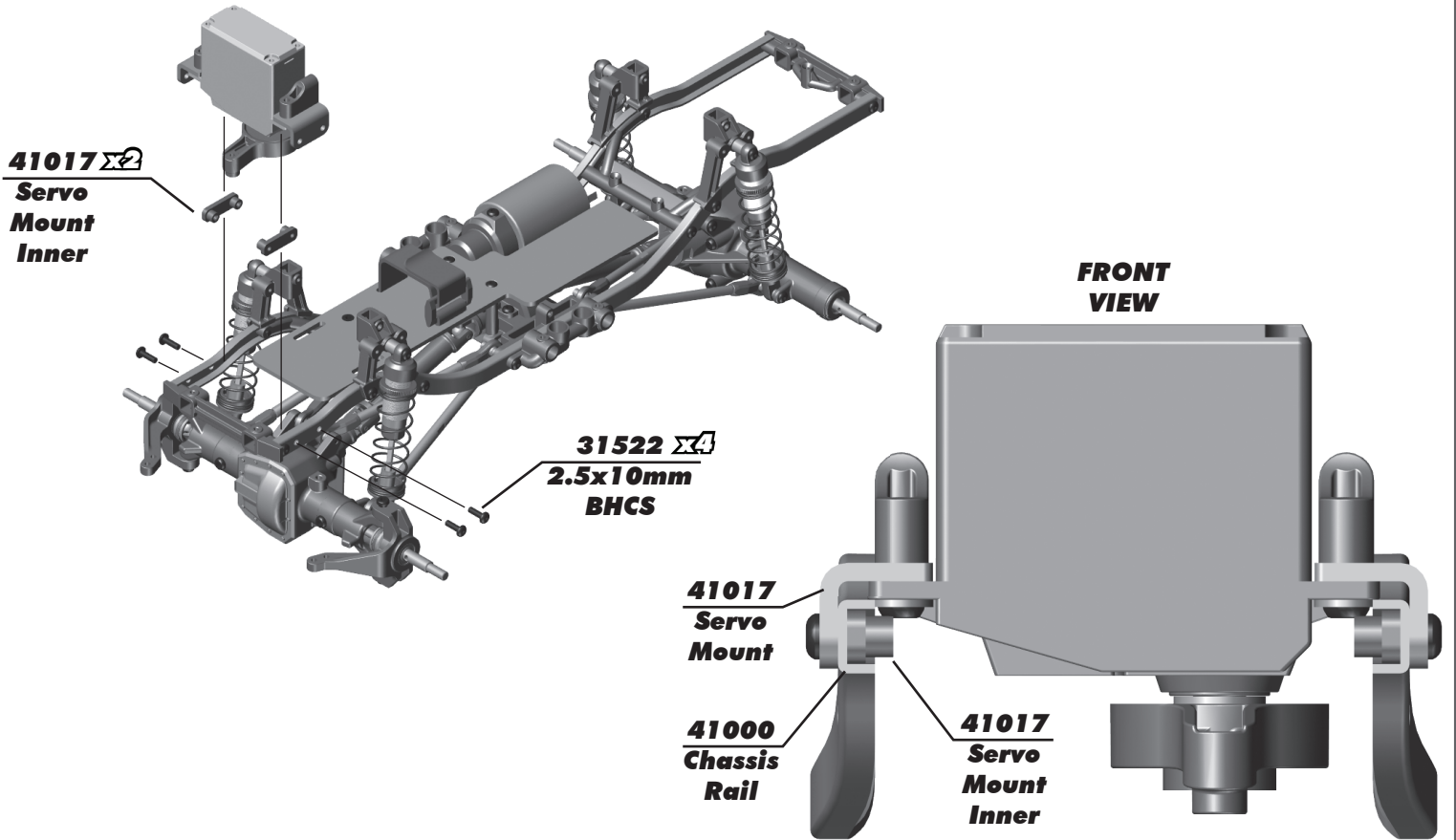
:: Electronics Build - Step 1



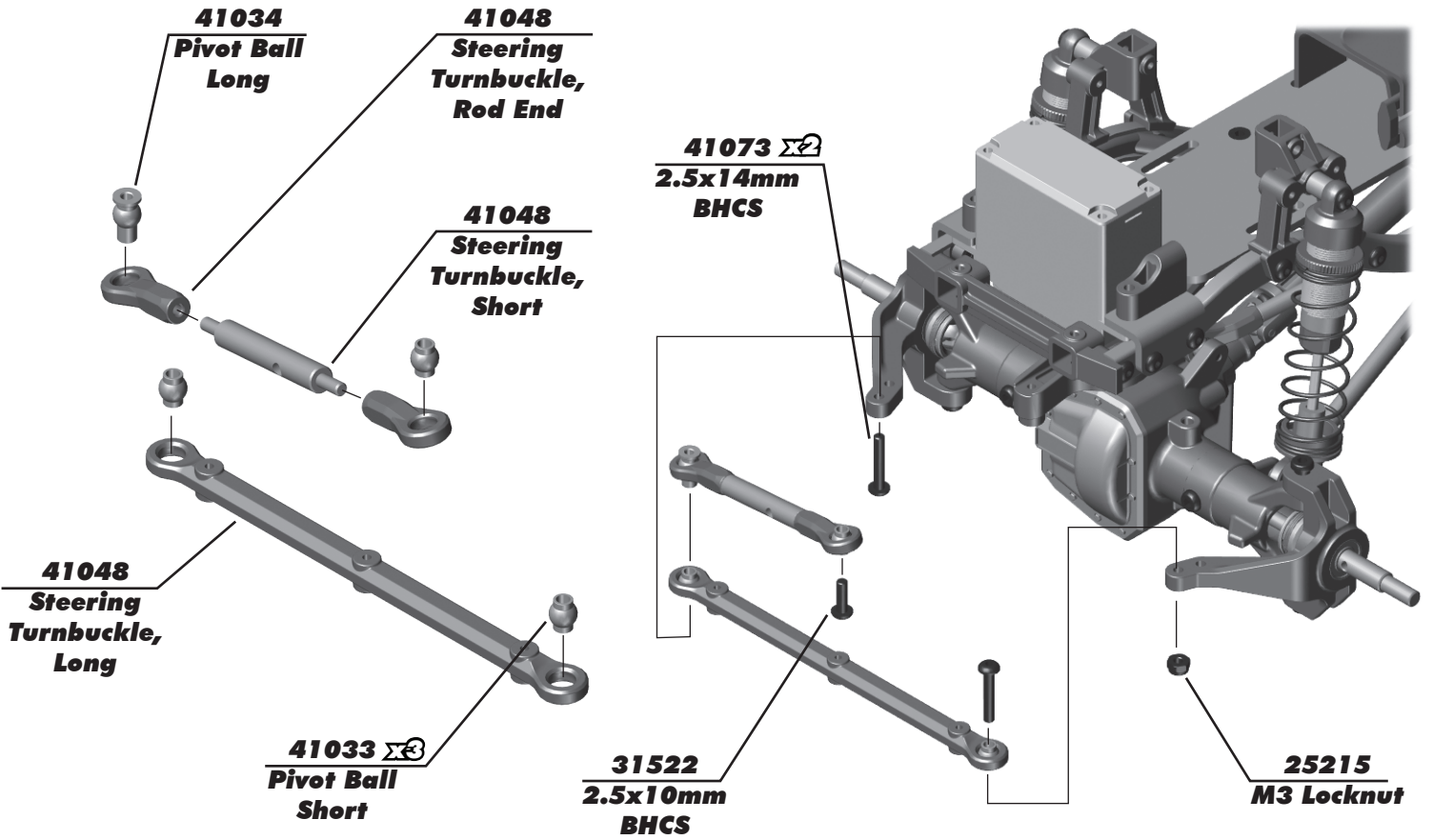
:: Electronics Build - Step 2



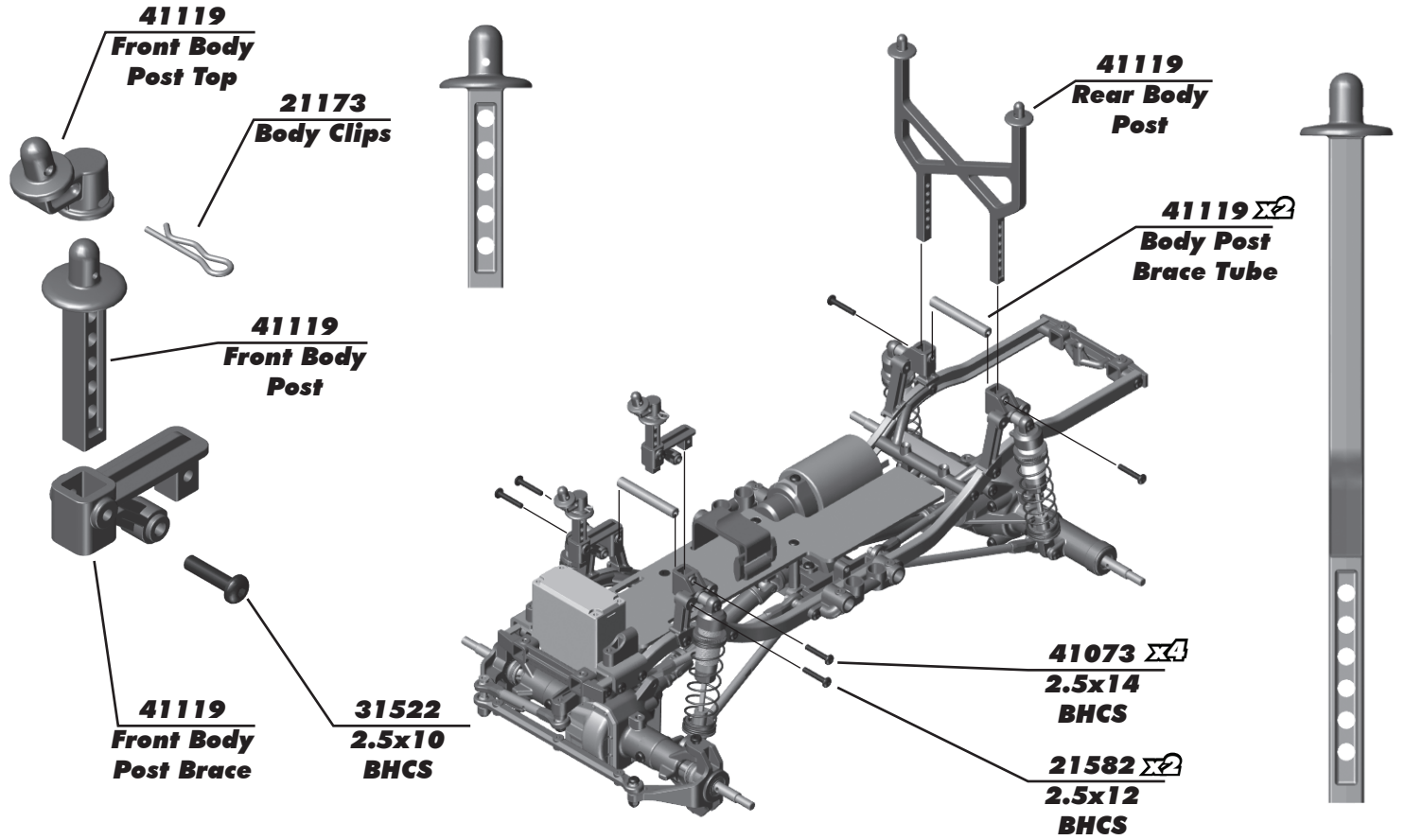
:: Electronics Build - Step 3



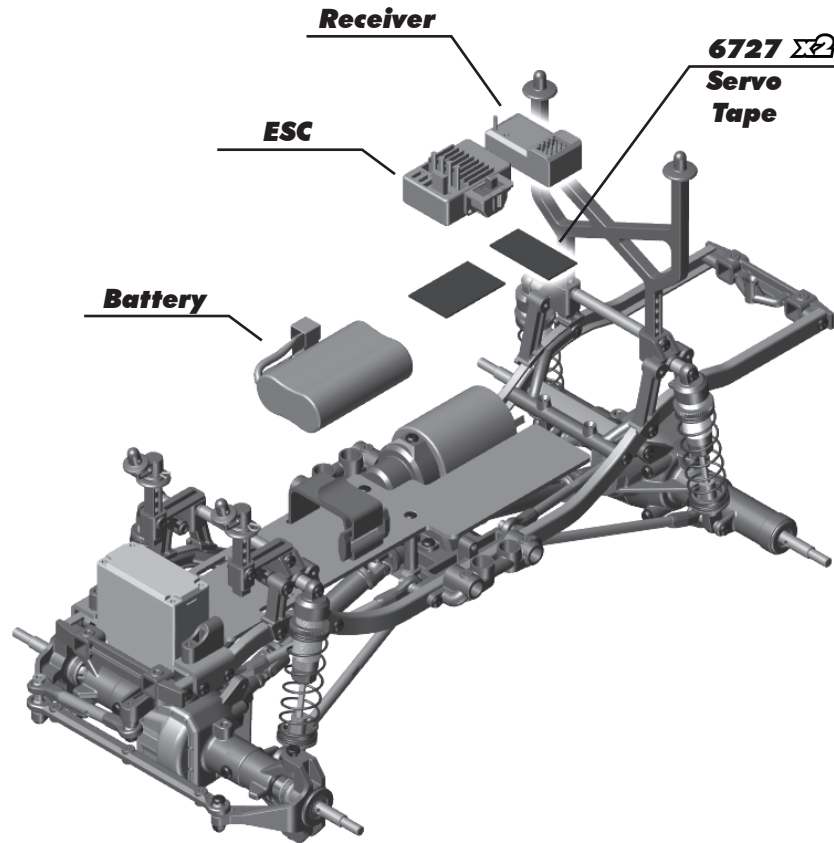
:: Electronics Build - Step 4



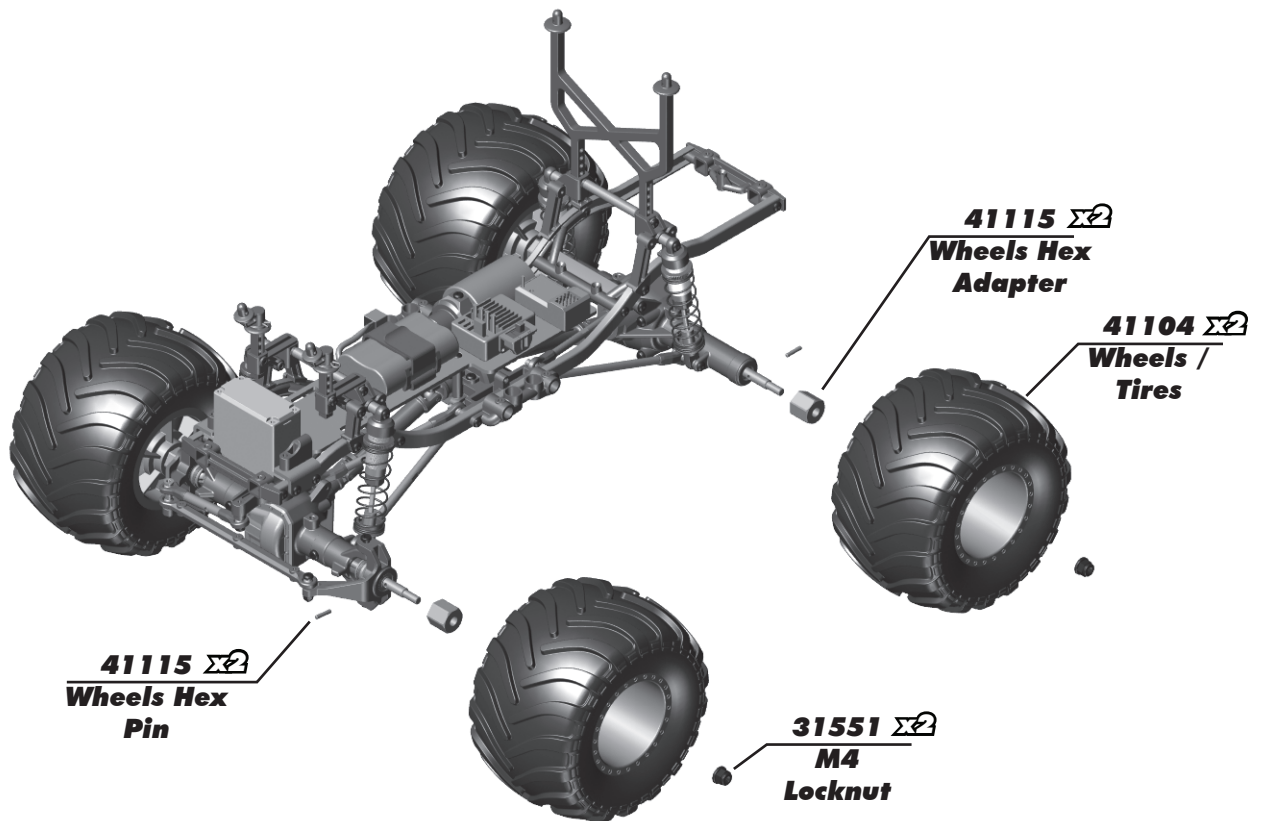
:: Electronics Build - Step 5



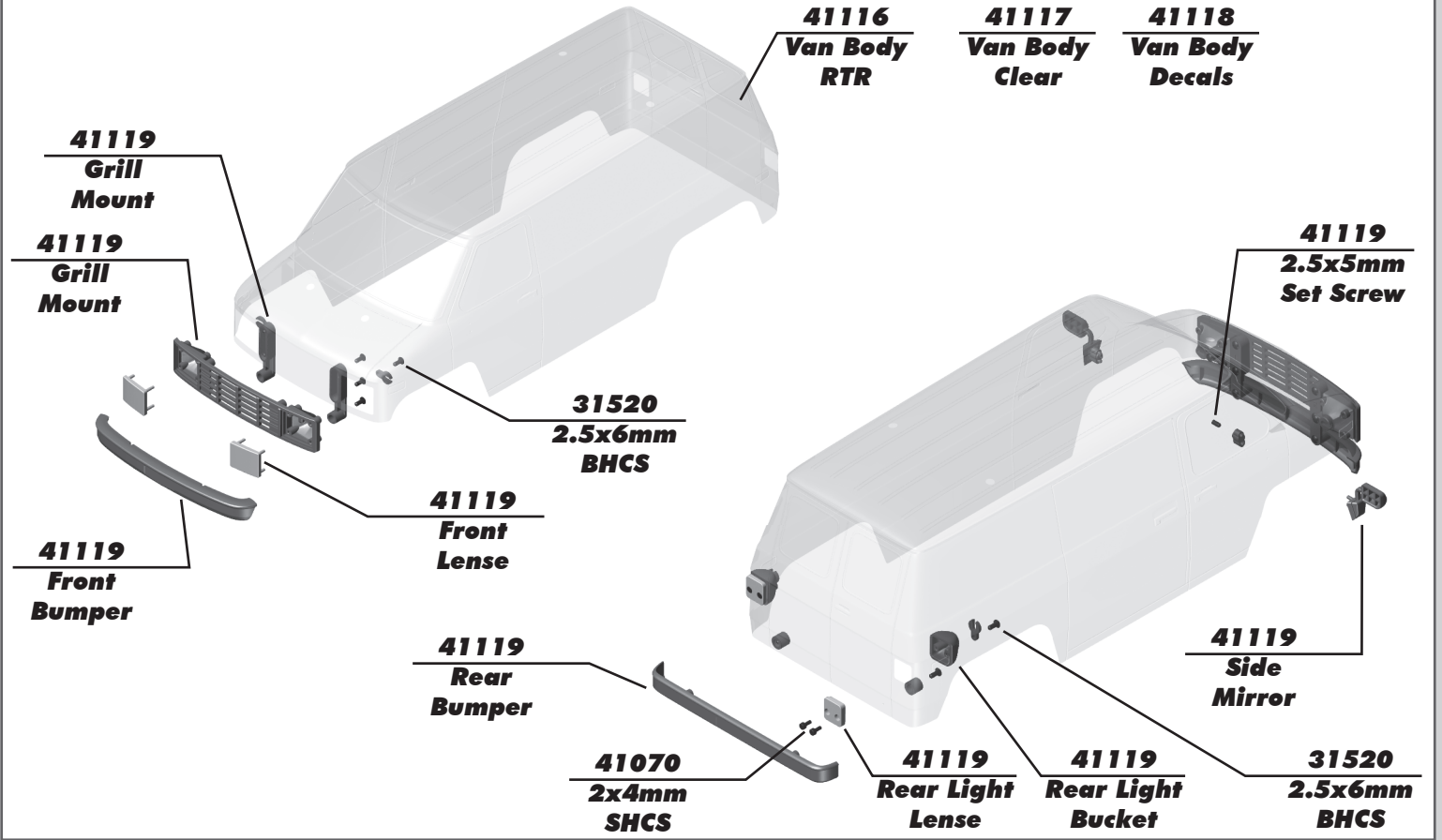
:: Electronics Build - Step 6



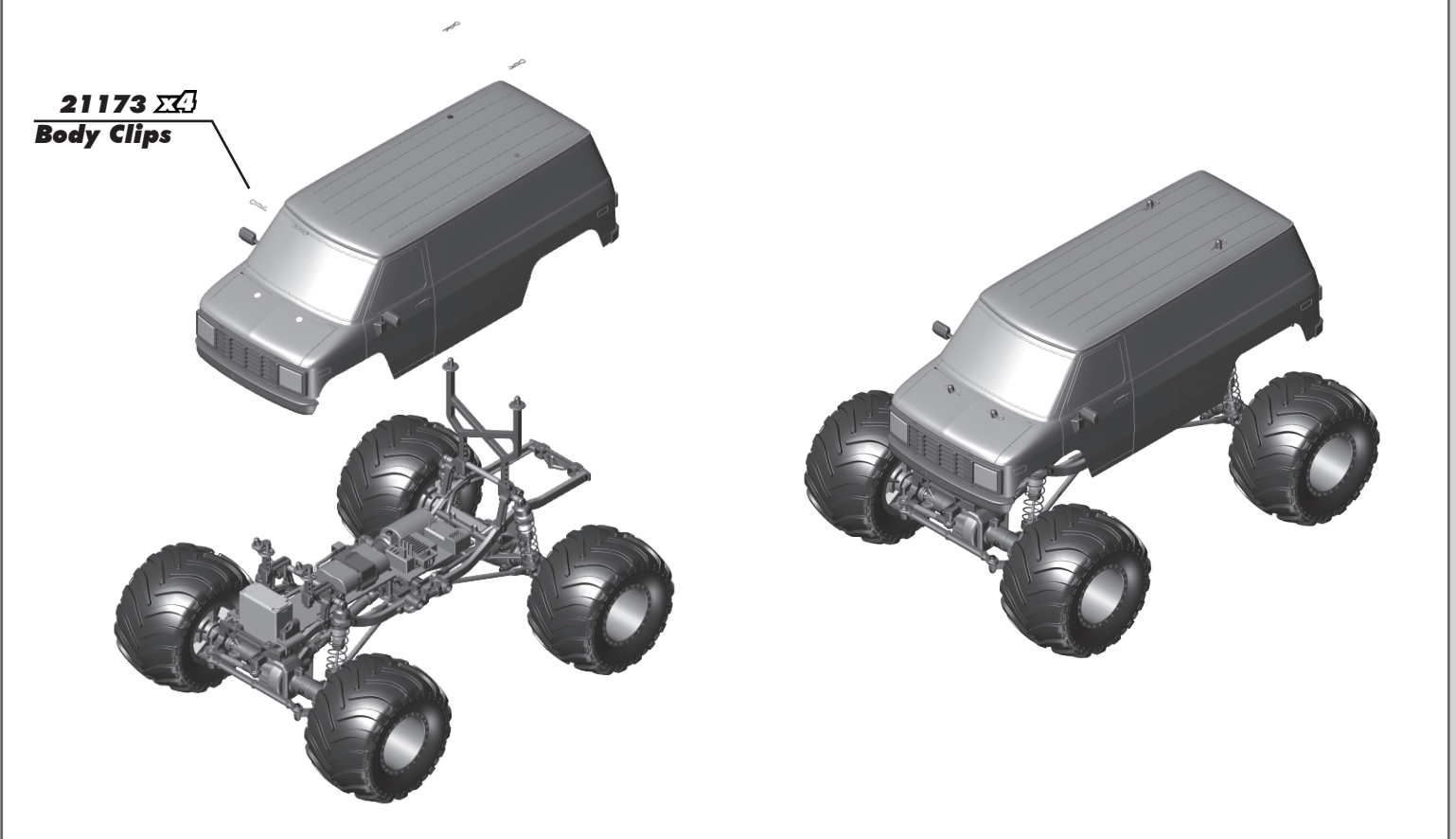
:: Tires and Body Build - Step 1



:: Tires and Body Build - Step 2



:: Tires and Body Build - Step 3



FIND IT ON ASSOCIATEDELECTRICS.COM

CARS & TRUCKS



Vehicle Spare Parts GO TO:

[AssociatedElectrics.com](#) →
[Team Associated tab](#) →
[Cars & Trucks](#) →
[Scroll to your vehicle](#) →
[Parts & Accessories link](#)

SETUP SHEETS & MANUALS



Setups and Manuals GO TO:

[AssociatedElectrics.com](#) →
[Team Associated tab](#) →
[Manuals & Setups](#) →
[Scroll to your vehicle](#)

A-TEAM APPS



Tuning Guides & Tips GO TO:

[AssociatedElectrics.com](#) →
[Support](#) →
[A-Team Apps](#)



Associated Electrics, Inc.

21062 Bake Parkway Lake Forest, CA 92630 USA

call: (949) 544-7500 - fax: (949) 544-7501

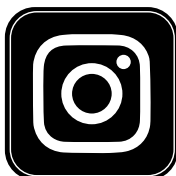
***Check out the following web sites for all of our kits, current products,
new releases, setup help, tips, and racing info!***

www.AssociatedElectrics.com

FOLLOW US ON SOCIAL MEDIA



**TeamAssociated
ReedyPower**



**@TeamAssociatedRC
@ReedyPower**



**@Team_Associated
@ReedyPower**