

# 4WD OFF-ROAD RACER JAVELIN



## PARTS LIST

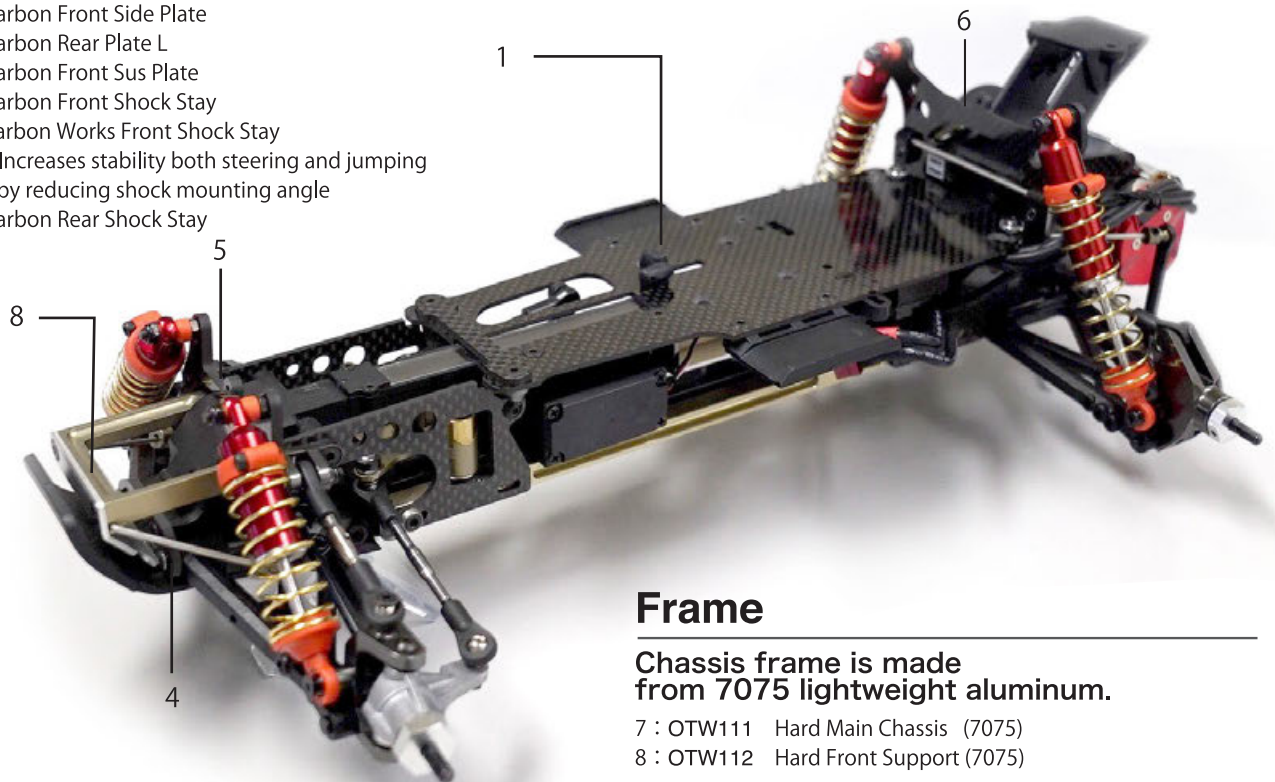
VOL.1 2017-12

# OPTIONAL PARTS REVIEW

## Carbon

Lightweight and high rigidity carbon material.  
Rigidity of suspension support and moderate flexibility enhances the performance potential of the chassis

- 1 : OTW110 Carbon Radio Plate
- 2 : OTW105 Carbon Front Side Plate
- 3 : OTW103 Carbon Rear Plate L
- 4 : OTW106 Carbon Front Sus Plate
- 5 : OTW107 Carbon Front Shock Stay
- OTW108 Carbon Works Front Shock Stay  
\* Increases stability both steering and jumping  
by reducing shock mounting angle
- 6 : OTW109 Carbon Rear Shock Stay



## Frame

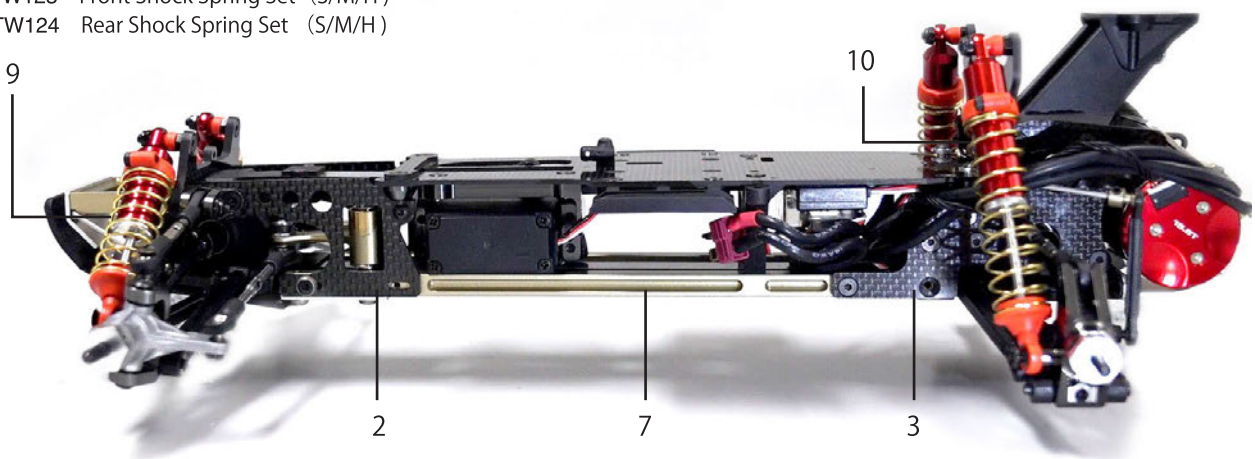
Chassis frame is made from 7075 lightweight aluminum.

- 7 : OTW111 Hard Main Chassis (7075)
- 8 : OTW112 Hard Front Support (7075)

## Shock Spring

3 hardness types.

- 9 : OTW123 Front Shock Spring Set (S/M/H)
- 10 : OTW124 Rear Shock Spring Set (S/M/H)



## Color

Choose color variation for preferred cornering characteristics

Body&Wing(Orange/Paper mint Green/Yellow/White)  
The release date of this product is May 2018. (Black/Red)



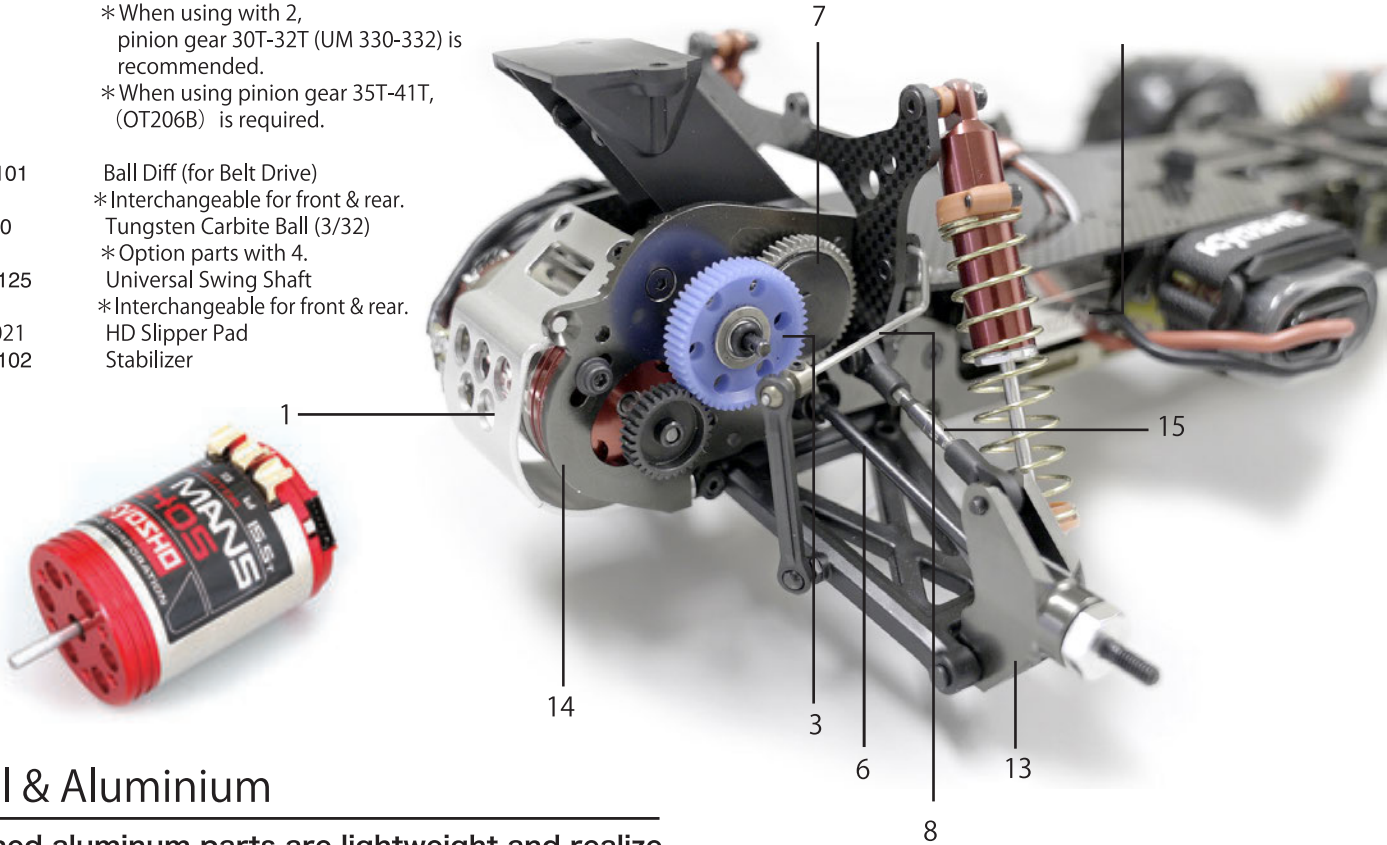


# OPTIONAL PARTS REVIEW

## Power Train

**Boost power with a brushless motor.  
High precision 48-pitch module spur gear delivers optimal gear ratio**

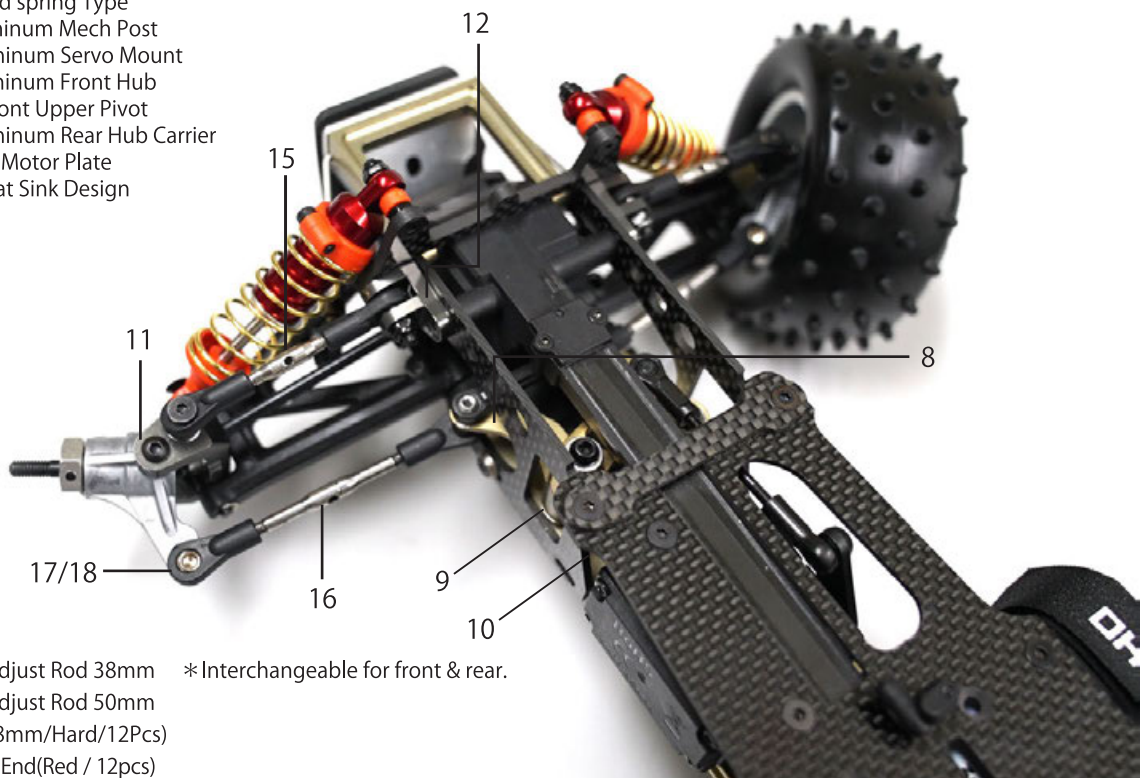
- 1 : 37032 LE MANS 240S Brushless Motor 15.5T
- 2 : 37051 LE MANS 240S ESC (for Brushless/MAX13.5Turn)  
\* Please use with 1 and 2. Require Silicone Sensor Cable(R246-8584).
- 3 : OTW126 MCN Spur Gear 51T/48P  
\* When using with 2,  
pinion gear 30T-32T (UM 330-332) is recommended.  
\* When using pinion gear 35T-41T, (OT206B) is required.
- 4 : OTW101 Ball Diff (for Belt Drive)  
\* Interchangeable for front & rear.
- 5 : I97030 Tungsten Carbide Ball (3/32)  
\* Option parts with 4.
- 6 : OTW125 Universal Swing Shaft  
\* Interchangeable for front & rear.
- 7 : SCW021 HD Slipper Pad
- 8 : OTW102 Stabilizer



## Metal & Aluminium

**Machined aluminum parts are lightweight and realize precision movement while preventing deformation**

- 8 : OTW114 Metal Servo Saver  
\* Hard spring Type
- 9 : OTW115GM Aluminum Mech Post
- 10 : OTW119GM Aluminum Servo Mount
- 11 : OTW116GM Aluminum Front Hub
- 12 : OTW118GM Al Front Upper Pivot
- 13 : OTW117GM Aluminum Rear Hub Carrier
- 14 : OTW104GM CNC Motor Plate  
\* Heat Sink Design



- 15 : 92413 Titanium Adjust Rod 38mm \* Interchangeable for front & rear.
- 16 : 92416 Titanium Adjust Rod 50mm
- 17 : LA43H Ball End(5.8mm/Hard/12Pcs)
- 18 : LA43R 5.8mm Ball End(Red / 12pcs)



37032  
LE MANS 240S Brushless  
Motor 15.5T



37051  
LE MANS 240S ESC  
(for Brushless/MAX13.5Turn)



70703  
G2X Motor (20 Turn)



82132  
Syncro KT-331P/KR-331 TX/RX set



82274  
SERVO KS4031-06W



92413  
Titanium Adjust Rod 38mm



92416  
Titanium Adjust Rod 50mm



82243MSB  
ORION WP BURUSHED ESC  
45A S-plug (Car & Marine)



ORI10350  
Rocket2 NiMH 1800  
(Standard Plug)



R246-8536  
2P-Standard Exchange  
Connector Type B



OTB247OR  
Body  
(Orange/Javelin)



OTB247GR  
Body  
(Paper mint Green/Javelin)



OTB247Y  
Body  
(Yellow/Javelin)



OTB247W  
Body  
(White/Javelin)



LA43H  
Ball End  
(5.8mm/Hard/12Pcs)



OT252OR  
Wing  
(Orange/Javelin)



OT252GR  
Wing  
(Paper mint Green/Javelin)



OT252Y  
Wing  
(Yellow/Javelin)



OT252W  
Wing  
(White/Javelin)



LA43R  
5.8mm Ball End  
(Red / 12pcs)



FAT202S  
Rear Tire/Soft/2pcs (Dirt Hog)



FAT202SS  
Rear Tire/ Super Soft/  
2pcs/ 2.2 inch



OTT243S  
Pin Tire 43x86x40mm S  
(OPTIMA)



OTH244BK  
5sp Wheel 43mm  
(Black/2pcs/Optima)



OTH244  
5sp Wheel 43mm  
(White/2pcs/Optima)



OTW101  
Ball Diff  
( for Belt Drive / OPTIMA)



I97030  
Tungsten Carbide Ball (3/32)





OTW102  
Stabilizer (OPTIMA)



OTW103  
Carbon Rear Plate L (OPTIMA)



OTW104GM  
CNC Motor Plate (Gunmetal/OPTIMA)



OTW105  
Carbon Front Side Plate (2pcs/OPTIMA)



OTW106  
Carbon Front Sus Plate (OPTIMA)



OTW107  
Carbon Front Shock Stay (OPTIMA)



OTW108  
Carbon Works Front Shock Stay (OPTIMA)



OTW109  
Carbon Rear Shock Stay (OPTIMA)



OTW110  
Carbon Radio Plate (OPTIMA)



OTW111  
Hard Main Chassis (7075/OPTIMA)



OTW112  
Hard Front Support (7075/OPTIMA)



OTW114  
Metal Servo Saver (OPTIMA)



OTW115GM  
Aluminum Mech Post (Gunmetal/OPTIMA)



OTW116GM  
Aluminum Front Hub (Gunmetal/OPTIMA)



OTW117GM  
Aluminum Rear Hub Carrier (Gunmetal/OPTIMA)



OTW118GM  
Al Front Upper Pivot (Gunmetal/OPTIMA)



OTW119GM  
Aluminum Servo Mount (Gunmetal/OPTIMA)



OTW123  
Front Shock Spring Set (S/M/H /2pcs/Optima)



OTW124  
Rear Shock Spring Set (S/M/H /2pcs/Optima)



OTW125  
Universal Swing Shaft (2pcs/Optima)



OTW126  
MCN Spur Gear 51T/48P (for Brushless Motor)



R246-8402B  
C-02B AC CHARGER 4.8-9.6V 1A AutoCut-Off



R246-8451B  
MUSCLE POWER 2200 Ni-MH Battery



R246-8452B  
MUSCLE POWER 3000 Ni-MH Battery



R246-8452S  
MUSCLE POWER 3000 Ni-MH Battery/S Plug



R246-8453B  
MUSCLE POWER 3600 Ni-MH Battery



R246-8454  
MUSCLE POWER 3600HV Ni-MH Battery/S Plug



R246-8584  
Silicone Sensor Cable 210mm



UM316C  
Steel Pinion Gear (16T)1/48 Pitch



UM317C  
Steel Pinion Gear (17T)1/48 Pitch



UM318C  
Steel Pinion Gear  
(18T)1/48 Pitch



UM319C  
Steel Pinion Gear  
(19T)1/48 Pitch



UM320C  
Steel Pinion Gear  
(20T)1/48 Pitch



UM321C  
Steel Pinion Gear  
(21T)1/48 Pitch



UM322C  
Steel Pinion Gear  
(22T)1/48 Pitch



UM323C  
Steel Pinion Gear  
(23T)1/48 Pitch



UM324C  
Steel Pinion Gear  
(24T)1/48 Pitch



UM325C  
Steel Pinion Gear(25T)  
1/48 Pitch



UM326  
Steel Pinion Gear(26T)  
1/48 Pitch



UM327  
Steel Pinion Gear  
(27T)1/48 Pitch



UM328  
Steel Pinion Gear(28T)  
1/48 Pitch



UM329  
Steel Pinion Gear(29T)  
1/48 Pitch



UM330  
Steel Pinion Gear(30T)  
1/48 Pitch



UM331  
Steel Pinion Gear(31T)  
1/48 Pitch



UM332  
Steel Pinion Gear  
(32T)1/48 Pitch



UM333  
Steel Pinion Gear  
(33T)1/48 Pitch



UM334  
Steel Pinion Gear(34T)  
1/48 Pitch



UM335  
Steel Pinion Gear(35T)  
1/48 Pitch



UM336  
Steel Pinion Gear(36T)  
1/48 Pitch



# JAVELIN Option Parts List

**OTW101**

1台に2個必要  
Two required per car

前後共通  
F/R  
Interchangeable for front & rear  
ボールデフ(ベルトドライブ用/オプティマ)  
Ball Diff. (for Belt Drive / OPTIMA)

**OTW102**

スタビライザー (オプティマ)  
Stabilizer (OPTIMA)

**OTW114**

Metal  
メタルサーボセイバー (オプティマ)  
Metal Servo Saver (OPTIMA)

**OTW115GM**

アルミメカポスト(ガンメタ/オプティマ)  
Aluminum Mech Post (Gunmetal/OPTIMA)

**OTW103**

カーボンリアプレートL (2pcs/オプティマ)  
Carbon Rear Plate L (2pcs/OPTIMA)

**OTW104GM**

CNCモータープレート(ガンメタ/オプティマ)  
CNC Motor Plate (Gunmetal/OPTIMA)

**OTW116GM**

アルミフロントハブ (ガンメタ/オプティマ)  
Aluminum Front Hub (Gunmetal/OPTIMA)

**OTW117GM**

アルミリアハブキャリア (ガンメタ/オプティマ)  
Aluminum Rear Hub Carrier (Gunmetal/OPTIMA)

**OTW105**

カーボンフロントサイドプレート (2pcs/オプティマ)  
Carbon Front Side Plate (2pcs/OPTIMA)

**OTW106**

カーボンフロントサスプレート (オプティマ)  
Carbon Front Sus Plate (OPTIMA)

**OTW118GM**

アルミフロントアッパーピボット (ガンメタ/オプティマ)  
Al Front Upper Pivot (Gunmetal/OPTIMA)

**OTW119GM**

アルミサーボマウント(ガンメタ/オプティマ)  
Aluminum Servo Mount (Gunmetal/OPTIMA)

**OTW107**

カーボンフロントショックステー (オプティマ)  
Carbon Front Shock Stay (OPTIMA)

**OTW108**

ワークスカーボンフロント  
ショックステー (オプティマ)  
Carbon Works Front Shock Stay (OPTIMA)

**OTW123**

フロントショックスプリングセット (オプティマ)  
Front Shock Spring Set (OPTIMA)

S Silver **a** x2pcs  
M Kit std Black **b** x2pcs  
H Gold **c** x2pcs

**OTW124**

リアショックスプリングセット (オプティマ)  
Rear Shock Spring Set (OPTIMA)

S Silver **a** x2pcs  
M Kit std Black **b** x2pcs  
H Gold **c** x2pcs

**OTW109**

カーボンリアショックステー (オプティマ)  
Carbon Rear Shock Stay (OPTIMA)

**OTW112**

ハードフロントサポート (7075/オプティマ)  
Hard Front Support (7075/OPTIMA)

**OTW125**

ユニバーサルスイングシャフト (2入/オプティマ)  
Universal Swing Shaft (2pcs/OPTIMA)

**OTW110B**

カーボンメカプレート (オプティマ)  
Carbon Radio Plate (OPTIMA)


**OTW111**

ハードメインシャシー (7075/オプティマ)  
Hard Main Chassis (7075/OPTIMA)

Part No.	Part Name	Price
OTW101	Ball Diff (for Belt Drive / OPTIMA)	4800
OTW102	Stabilizer (OPTIMA)	2300
OTW103	Carbon Rear Plate L (OPTIMA)	2100
OTW104GM	CNC Motor Plate (Gunmetal/OPTIMA)	3200
OTW105	Carbon Front Side Plate (2pcs/OPTIMA)	2500
OTW106	Carbon Front Sus. Plate (OPTIMA)	1500
OTW107	Carbon Front Shock Stay (OPTIMA)	1200
OTW108	Carbon Works Front Shock Stay (OPTIMA)	1800
OTW109	Carbon Rear Shock Stay (OPTIMA)	2500
OTW110B	Carbon Radio Plate (OPTIMA)	3800
OTW111	Hard Main Chassis (7075/OPTIMA)	5500
OTW112	Hard Front Support (7075/OPTIMA)	2600
OTW114	Metal Servo Saver (OPTIMA)	4200
OTW115GM	Aluminum Radio Post (Gunmetal/OPTIMA)	5500
OTW116GM	Aluminum Front Hub (Gunmetal/OPTIMA)	5800
OTW117GM	Aluminum Rear Hub Carrier (Gunmetal/OPTIMA)	5500
OTW118GM	Al Front Upper Pivot (Gunmetal/OPTIMA)	2200
OTW119GM	Aluminum Servo Mount (Gunmetal/OPTIMA)	2700
OTW123	Front Shock Spring Set (S/M/H /2pcs/Optima)	1200
OTW124	Rear Shock Spring Set (S/M/H /2pcs/Optima)	1200
OTW125	Universal Swing Shaft (2pcs/Optima)	3800

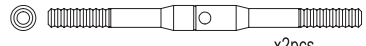
# JAVELIN Option Parts List

**92413**



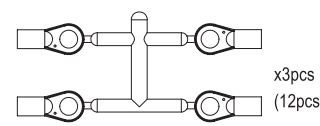
x2pcs  
チタンアジャストロッド 38mm  
Titanium Adjust Rod 38mm

**92416**



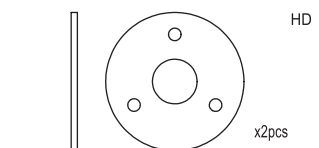
x2pcs  
チタンアジャストロッド 50mm  
Titanium Adjust Rod 50mm

**LA43H / R**



x3pcs (12pcs)  
ボールエンド 5.8mm  
5.8mm Ball End  
H Hard Type  
R Red

**SCW021**



HD  
HD スリッパパッド (2入/スコルピオン2014)  
HD Slipper Pad (2pcs/Scorpion 2014)

**UM316C / UM336**



Steel Pinion Gear  
SS M3x3mm

スチールピニオンギア 1/48ピッチ  
Steel Pinion Gear 1/48 Pitch

UM316C	16T	UM323C	23T	UM330	30T
UM317C	17T	UM324C	24T	UM331	31T
UM318C	18T	UM325C	25T	UM332	32T
UM319C	19T	UM326	26T	UM333	33T
UM320C	20T	UM327	27T	UM334	34T
UM321C	21T	UM328	28T	UM335	35T
UM322C	22T	UM329	29T	UM336	36T

## Brushless Motor

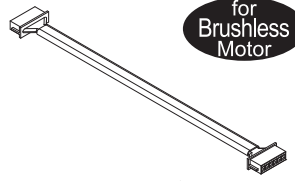
**OTW126**



for Brushless Motor

MCN スパーギア 51T/48P (ブラシレスモーター用)  
MCN Spur Gear 51T/48P (for Brushless Motor)

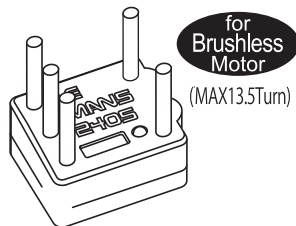
**R246-8584**



for Brushless Motor

シリコンセンサーケーブル 210mm  
Silicone Sensor Cable 210mm

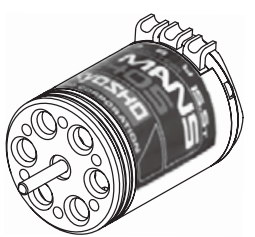
**37051**



for Brushless Motor  
(MAX13.5Turn)

ルマン 240S ESC (ブラシレス用/MAX13.5ターン)  
LE MANS 240S Brushless Motor 13.5T


**37032**



ルマン 240S ブラシレスモーター 15.5T 4WD用  
LE MANS 240S Brushless Motor 15.5T

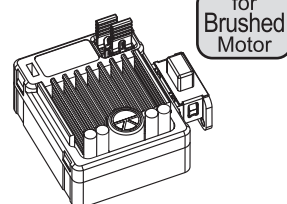
## Brushed Motor

**70703**



G2X モーター (20ターン)  
G2X Motor (20 Turn)

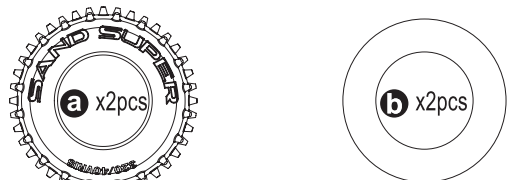
**82243S**



for Brushed Motor

ORION WP ブラシモーター用ESC 45A Sプラグ  
ORION WP BURUSHED ESC 45A S-plug

**OTT243S (Soft)**

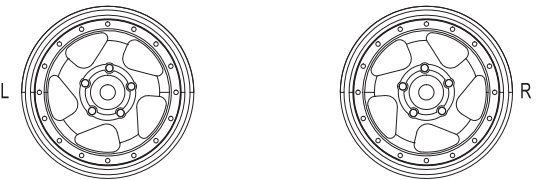


a x2pcs  
b x2pcs

ピンタイヤ43x86x40mm S (オプティマ)  
Pin Tire 43x86x40mm S (OPTIMA)

**OTH244BK / W**

BK Black  
W White



L R

5スポークホイール43mm (2入/オプティマ)  
5 Spoke Wheel 43mm (2pcs/OPTIMA)

Part No.	Description	Price
92413	Titanium Adjust Rod 38mm	600
92416	Titanium Adjust Rod 50mm	700
LA43H	Ball End(5.8mm/Hard/12pcs)	600
LA43R	5.8mm Ball End(Red / 12pcs)	300
SCW021	HD Slipper Pad (2pcs/Scorpion 2014)	600
UM316C	Steel Pinion Gear(16T)1/48 Pitch	600
UM317C	Steel Pinion Gear(17T)1/48 Pitch	600
UM318C	Steel Pinion Gear(18T)1/48 Pitch	600
UM319C	Steel Pinion Gear(19T)1/48 Pitch	600
UM320C	Steel Pinion Gear(20T)1/48 Pitch	600
UM321C	Steel Pinion Gear(21T)1/48 Pitch	600
UM322C	Steel Pinion Gear(22T)1/48 Pitch	600
UM323C	Steel Pinion Gear(23T)1/48 Pitch	600
UM324C	Steel Pinion Gear(24T)1/48 Pitch	600
UM325C	Steel Pinion Gear(25T)1/48 Pitch	600
UM326	Steel Pinion Gear(26T)1/48 Pitch	600
UM327	Steel Pinion Gear(27T)1/48 Pitch	600
UM328	Steel Pinion Gear(28T)1/48 Pitch	600
UM329	Steel Pinion Gear(29T)1/48 Pitch	600
UM330	Steel Pinion Gear(30T)1/48 Pitch	600
UM331	Steel Pinion Gear(31T)1/48 Pitch	600
UM332	Steel Pinion Gear(32T)1/48 Pitch	600
UM333	Steel Pinion Gear(33T)1/48 Pitch	600
UM334	Steel Pinion Gear(34T)1/48 Pitch	600
UM335	Steel Pinion Gear(35T)1/48 Pitch	600
UM336	Steel Pinion Gear(36T)1/48 Pitch	600
OTW126	MCN Spur Gear 51T/48P (for Brushless Motor)	1000
R246-8584	Silicone Sensor Cable 210mm	500
37032	LE MANS 240S Brushless Motor 15.5T	10000
37051	LE MANS 240S ESC (for Brushless/MAX13.5Turn)	6800
70703	G2X Motor (20 Turn)	1800
82243S	ORION WP BURUSHED ESC 45A S-plug	4000
OTT243S	Pin Tire 43x86x40mm S (OPTIMA)	1300
OTH244BK	5sp Wheel 43mm (Black/2pcs/Optima)	700
OTH244W	5sp Wheel 43mm (White/2pcs/Optima)	700

★ 定価 (税抜き)



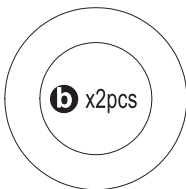
# JAVELIN Option Parts List

## FAT201 / S

FAT201 Hard  
FAT201S Soft



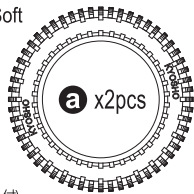
2.2 Inch



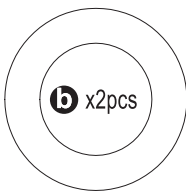
フロントタイヤ/2pcs(ダートホグ)  
Front Tire/2pcs (Dirt Hog)

## FAT202S / SS

FAT202S Soft  
FAT202SS Super Soft



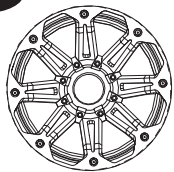
2.2 Inch



リヤタイヤ(2pcs/インナー付)  
Rear Tire (2pcs/with Inner)

## FAH203BK

2.2 Inch

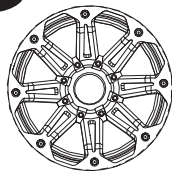


x2pcs

フロントホイール/ブラック/2pcs(ダートホグ)  
Front Wheel/Black/2pcs (Dirt Hog)

## FAH204BK

2.2 Inch

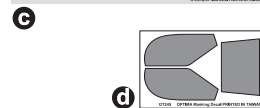
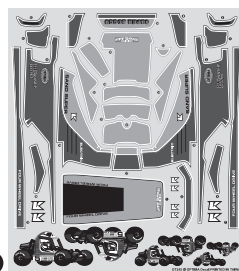
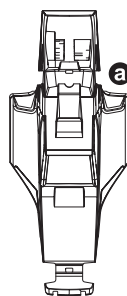


x2pcs

リヤホイール/ブラック/2pcs(ダートホグ)  
Rear Wheel/Black/2pcs (Dirt Hog)

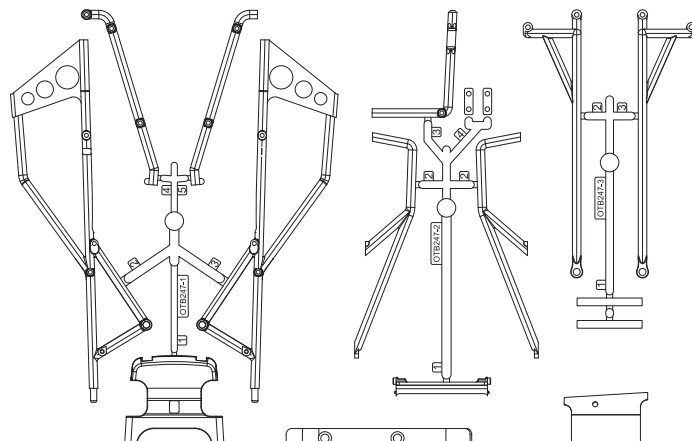
FAT201	Front Tire/2pcs(Dirt Hog)	フロントタイヤ(2入/2.2インチ/DirtHog)	600
FAT201S	Front Tire/Soft/2pcs(Dirt Hog)	フロントタイヤ(ソフト/2入/2.2インチ/DirtHog)	900
FAT202S	Rear Tire/Soft/2Pcs (Dirt Ho9)	リヤタイヤ/ソフト/2入/2.2インチ	900
FAT202SS	Rear Tire/ Super Soft/ 2pcs/ 2.2 inch	リヤタイヤ/スーパーソフト/2入/ 2.2インチ	2000
FAH203BK	Front Wheel/2pcs/2.2inch/Black/Dirt Hog)	フロントホイール(2入/2.2インチ/ブラック/DirtHog)	600
FAH204BK	Rear Wheel(2pcs/2.2inch/Black/Dirt Hog)	リヤホイール(2入/2.2インチ/ブラック/DirtHog)	600

## OTB245



ノンデコレーションボディ(オプティマ)  
Non-Decoration Body(OPTIMA)

## OTB247GR / Y / W



a  
Pivot Screw 2.6x8mm x2

b  
Pan Head Screw (M2.6x4) x2

c  
Button Screw (Hex/M3x5) x2

d  
Button Screw (Hex/M3x10) x2

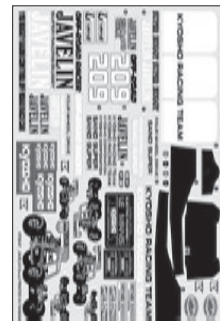
e  
Flat Head Screw (Hex/M2.6x6) x6

f  
Washer M2.6x5x0.5 x4

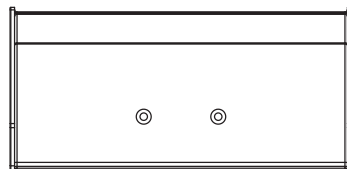
g  
Cap Screw (M2.6x8) x12

h  
Cap Screw (M2.6x12) x1

i  
Snap Pin 6mm x3



## OT252GR / Y / W



GR Peppermint Green  
Y Yellow  
W White

OTB245	Non-Decoration Body (OPTIMA)	ノンデコレーションボディ(オプティマ)	3200
OTB247GR	Body (Paper mint Green/Javelin)	ボディ(ペパーミントグリーン/ジャベリン)	4200
OTB247Y	Body (Yellow/Javelin)	ボディ(イエロー/ジャベリン)	4200
OTB247W	Body (White/Javelin)	ボディ(ホワイト/ジャベリン)	4200
OT252GR	Wing (Paper mint Green/Javelin)	ウイング(ジャベリン)ペパーミントグリーン	600
OT252Y	Wing (Yellow/Javelin)	ウイング(イエロー/ジャベリン)	600
OT252W	Wing (White/Javelin)	ウイング(ジャベリン)ホワイト	600

2018年5月発売予定

OTB247BK	Body (Black/Javelin)	ボディ(ブラック/ジャベリン)	4200
OTB247R	Body (Red/Javelin)	ボディ(レッド/ジャベリン)	4200
OT252BK	Wing (Black/Javelin)	ウイング(ブラック/ジャベリン)	600
OT252BK	Wing (Red/Javelin)	ウイング(レッド/ジャベリン)	600



SC215  
Slipper Plate  
(2pcs/Scorpion 2014)



SC216  
Slipper Pad  
(2pcs/Scorpion 2014)



SC240  
5.8mmxM2.6 Pivot Ball  
(8pcs/Scorpion 2014)



SC241  
5.8mmxM3 Pivot Ball  
(4pcs/Scorpion 2014)



SC242  
4.8mmxM2.6 Ball Nut  
(2pcs/Scorpion 2014)



SC246  
Battery Strap  
(16X200mm)



36105  
2.4GHz Antenna Pipe



92638  
Snap Pin (10Pcs)



92643  
Snap Pin(4mm/10Pcs)



96441B  
Sponge Tape(1x100x150)



96647  
10x12mm Shim Set  
(0.1/0.2)4pcs



BRG001  
Shield Bearing  
(5x10x4)4Pcs



BRG002  
Shield Bearing  
(5x8x2.5)4Pcs



BRG003  
Shield Bearing  
(4x8x3)4Pcs



BRG007  
Shield Bearing  
(3x6x2.5)2Pcs



BRG014  
Shield Bearing  
(10x15x4)2Pcs



BRG100  
Diff.Thrust Bearing



FA304-25  
Pinion Gear (25T-48P)



LA43  
5.8mm Ball End(12pcs)



ORG03  
O-Ring(P3/Orange)  
10Pcs



ORG03BK  
O-Ring(P3/Black)10Pcs



SIL0100  
Silicone OIL #100(40cc)



SIL0350-8  
Silicone OIL #350(80cc)



UM119  
Diff Ring



UM120  
3/32 Ball



UM124  
Tensionner Spring



W0201  
5.8 Steel Ball 10Pcs



OT201  
Suspension Arm(OPTIMA)



OT202  
Gear Box(OPTIMA)



OT203  
Servo Saver (OPTIMA)





OT204  
Hub Carrier (OPTIMA)



OT205  
Holder (OPTIMA)



OT206B  
Chain Guide  
(OPTIMA/for High Ratio)



OT207  
Bumper (OPTIMA)



OT208  
Diff Gear Case & Pulley  
(OPTIMA)



OT209  
Shock Piston (OPTIMA)



OT210BK  
Shock Plastic Parts  
(Black/OPTIMA)



OT210R  
Shock Plastic Parts  
(Red/OPTIMA)



OT211  
Knuckle Arm(OPTIMA)



OT212  
King Pin Flange Pipe  
(OPTIMA)



OT213S  
Front Under Guard  
(OPTIMA)



OT214S  
Front Side Plate  
(Silver/2pcs/OPTIMA)



OT215S  
Rear Plate  
(Silver/OPTIMA)



OT216S  
Motor Guard  
(Silver/OPTIMA)



OT217S  
Shock Stay  
(Silver/OPTIMA)



OT218S  
Front Plate  
(Silver/OPTIMA)



OT219S  
Main Chassis  
(Silver/OPTIMA)



OT220  
Radio Plate (OPTIMA)



OT221  
Gear Set (OPTIMA)



OT222  
Diff Inner Parts Set  
(OPTIMA)



OT223  
Diff Gasket (4pcs/OPTIMA)



OT224  
Diff Shaft(2pcs/OPTIMA)



OT225  
Gear Shaft Set(OPTIMA)



OT226  
Ladder Chain (OPTIMA)



OT227  
Belt (OPTIMA)



OT228  
Swing Shaft (OPTIMA)



OT229  
Front Wheel Shaft  
(2pcs/OPTIMA)



OT230  
Rear Wheel Shaft  
(2pcs/OPTIMA)



OT231  
Wheel Hub Set  
(2pcs/OPTIMA)



OT232  
Servo Saver Shaft  
(OPTIMA)



OT233  
Flange Shaft 3x54mm  
(2pcs/OPTIMA)



OT234  
Tie-Rod (OPTIMA)



OT235R  
Front Shock  
(Red/OPTIMA)



OT236R  
Rear Shock(Red/OPTIMA)



OT237R  
Front Shock Case  
(Red/OPTIMA)



OT238R  
Rear Shock Case  
(Red/OPTIMA)



OT239  
Front Shock Shaft  
(2pcs/OPTIMA)



OT240  
Rear Shock Shaft  
(2pcs/OPTIMA)



OT241  
M2/2.6 Screw Set  
(OPTIMA)



OT242  
M3 Screw Set  
(OPTIMA)



OT247  
Flange Shaft 3x60mm  
(2pcs/OPTIMA)



OT248  
Flange Shaft 3x26mm  
(2pcs/OPTIMA)



OT249  
Flange Shaft 3x30mm  
(2pcs/OPTIMA)



OT250  
Wing Stay



OT251  
Aluminum Roll Bar



OT253  
Shock Gasket 12mm(4pcs)



OTB245  
Non-Decoration Body  
(OPTIMA)



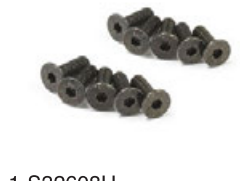
OTB246  
Driver Doll (OPTIMA)



OTT243M  
Pin Tire 43x86x40mm M  
(OPTIMA)



1-S32606H  
Flat Head Screw  
(M2.6x6/10pcs)



1-S32608H  
Flat Head Screw  
(M2.6x8/10pcs)



1-S33008H  
Flat Head Screw  
(Hex/M3x8/10pcs)



1-S33012H  
Flat Head Screw  
(Hex/M3x12/10pcs)



1-S33015H  
Flat Head Screw  
(Hex/M3x15/10pcs)



1-S33018H  
Flat Head Screw  
(Hex/M3x18/10pcs)



1-S13008H  
Button Screw  
(Hex/M3x8/10pcs)



1-S13010H  
Button Screw  
(Hex/M3x10/10pcs)



1-S22608  
Cap Screw(M2.6x8/5pcs)



1-S23006F  
Cap Screw  
(M3x6/Flanged/5pcs)



1-S53003  
Set Screw(M3x3/10pcs)



1-S54004  
Set Screw(M4x4/10pcs)



1-E025  
E-Ring(E2.5/10pcs)



1-E050  
E-Ring(E5.0/10pcs)



1-N3024  
Nut(M3x2.4/10pcs)



1-N3033N  
Nut(M3x3.3)  
Nylon (5pcs)



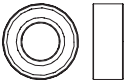



1-N4056FN  
Nut(M4x5.6)  
Flanged Nylon (5pcs)




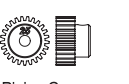



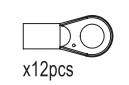


1-W300805  
Washer(M3x8x0.5/10pcs)

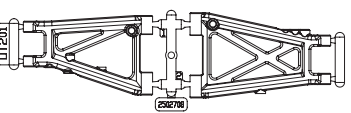
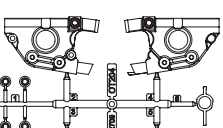


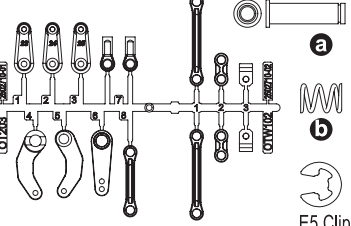
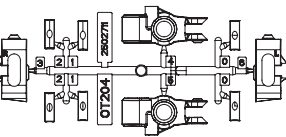
# JAVELIN Parts List

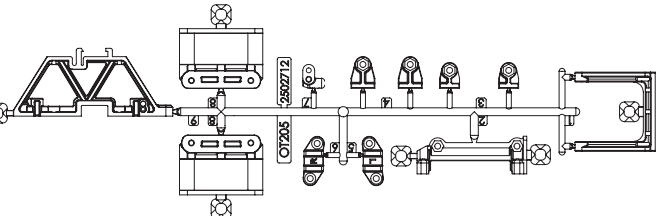
<b>BRG001</b>  BB 5x10x4mm x4pcs	<b>BRG002</b>  BB 5x8x2.5mm x4pcs	<b>BRG003</b>  BB 4x8x3mm x4pcs	<b>BRG007</b>  BB 3x6x2.5mm x2pcs
--	--	--	--

<b>BRG014</b>  BB 10x15x4mm x2pcs	<b>BRG100</b>  x2pcs  x8pcs	<b>FA304-25</b>  Pinion Gear (25T-48P)  SS M3x3mm
---	---	---

<b>LA43</b>  x12pcs 5.8mm Ball End	<b>ORG03</b>  x10pcs O-Ring P3 Orange	<b>ORG03BK</b>  x10pcs O-Ring P3 Black
---	---	--

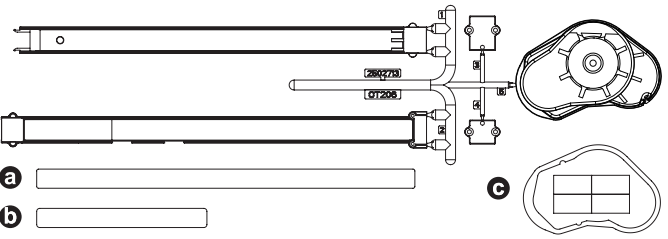
<b>OT201</b> 	<b>OT202</b> 
--	---

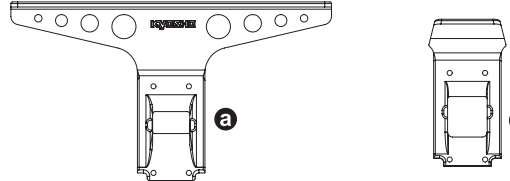
<b>OT203</b>  E5 Clip	<b>OT204</b> 
--	---

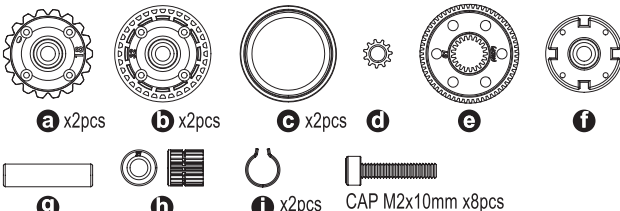
<b>OT205</b> 
--

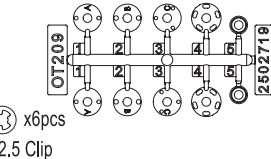
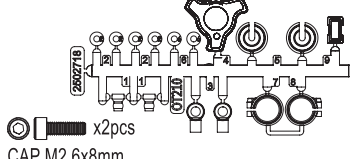
BRG001	Shield Bearing(5x10x4)4pcs	シールドベアリング(5x10x4)4入	1000
BRG002	Shield Bearing(5x8x2.5)4pcs	シールドベアリング(5x8x2.5)4入	1000
BRG003	Shield Bearing(4x8x3)4pcs	シールドベアリング(4x8x3)4入	1000
BRG007	Shield Bearing(3x6x2.5)2pcs	シールドベアリング(3x6x2.5)2入	700
BRG014	Shield Bearing(10x15x4)2pcs	シールドベアリング(10x15x4)2入	1200
BRG100	Diff. Thrust Bearing	デフスラストベアリング(1入)	400
FA304-25	Pinion Gear (25T-48P)	ピニオンギヤ (25T-48P)	300
LA43	5.8mm Ball End(12pcs)	ボールエンド 5.8φ(12入)	300
ORG03	O-Ring(P3/Orange)10pcs	Oリング(P3/オレンジ) 10入	200
ORG03BK	O-Ring(P3/Black)10pcs	Oリング(P3/ブラック)10入	200
OT201	Suspension Arm (OPTIMA)	サスペンションアーム (オプティマ)	500
OT202	Gear Box (OPTIMA)	ギヤボックス (オプティマ)	600
OT203	Servo Saver (OPTIMA)	サーボセイバー (オプティマ)	600
OT204	Hub Carrier (OPTIMA)	ハブキャリア (オプティマ)	700
OT205	Holder (OPTIMA)	ホルダー (オプティマ)	1000

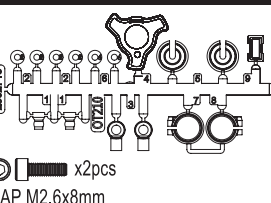
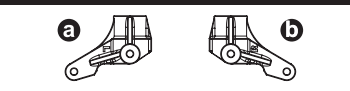

★ 定価 (税抜き)

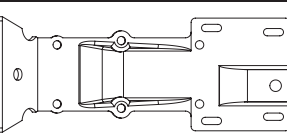
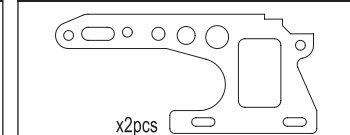
<b>OT206B</b>  a b c
--

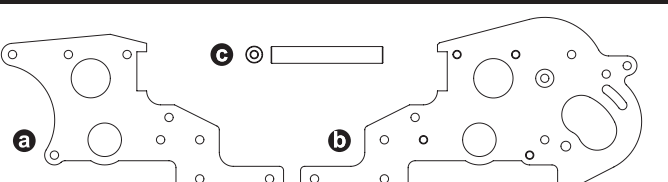
<b>OT207</b>  a b
--

<b>OT208</b>  a x2pcs b x2pcs c x2pcs d e f g h i x2pcs CAP M2x10mm x8pcs
--

<b>OT209</b>  x6pcs E2.5 Clip	<b>OT210R</b>  x2pcs CAP M2.6x8mm
--	---

<b>OT210BK</b>  x2pcs CAP M2.6x8mm	<b>OT211</b>  a b
<b>OT212</b>  x4pcs BH M3x8mm x4pcs	

<b>OT213S</b> 	<b>OT214S</b>  x2pcs
---	---

<b>OT215S</b>  a b c
--

OT206B	Chain Guide (OPTIMA/for High Ratio)	チェーンガイド (オプティマ/ハイレシオ対応)	1100
OT207	Bumper (OPTIMA)	バンパー (オプティマ)	600
OT208	Diff Gear Case & Pulley (OPTIMA)	デフギヤケース&プーリー (オプティマ)	1400
OT209	Shock Piston (OPTIMA)	ショックピストン (オプティマ)	400
OT210R	Shock Plastic Parts (Red/OPTIMA)	ショックプラパーツ (レッド/オプティマ)	400
OT210BK	Shock Plastic Parts (Black/OPTIMA)	ショックプラパーツ (ブラック/オプティマ)	400
OT211	Knuckle Arm (OPTIMA)	ナックルアーム (オプティマ)	900
OT212	King Pin Flange Pipe (OPTIMA)	キングピンフランジパイプ (オプティマ)	400
OT213S	Front Under Guard (OPTIMA)	フロントアンダーガード (シルバー/オプティマ)	700
OT214S	Front Side Plate (Silver/2pcs/OPTIMA)	フロントサイドプレート (シルバー/オプティマ)	1000
OT215S	Rear Plate (Silver/OPTIMA)	リヤプレート (シルバー/オプティマ)	1800

★ 定価 (税抜き)

# JAVELIN Parts List

### OT216S

FH M2.6x6mm x2pcs

### OT217S

### OT218S

### OT219S

x2pcs

### OT220

### OT221

### OT222

x2pcs, x2pcs, x4pcs, x2pcs, x2pcs, x4pcs, x2pcs

### OT223

x4pcs

### OT224

x2pcs, x4pcs

### OT225

OT216S	Motor Guard (Silver/OPTIMA)
OT217S	Shock Stay (Silver/OPTIMA)
OT218S	Front Plate (Silver/OPTIMA)
OT219S	Main Chassis (Silver/OPTIMA)
OT220	Radio Plate (OPTIMA)
OT221	Gear Set (OPTIMA)
OT222	Diff Inner Parts Set (OPTIMA)
OT223	Diff Gasket (4pcs/OPTIMA)
OT224	Diff Shaft (2pcs/OPTIMA)
OT225	Gear Shaft Set (OPTIMA)

★ 定価 (税抜き)		
1500	モーターガード (シルバー/オプティマ)	
1400	ショックステー (シルバー/オプティマ)	
500	フロントプレート (シルバー/オプティマ)	
2500	メインシャシー (シルバー/オプティマ)	
1500	メカプレート (オプティマ)	
900	ギヤセット (オプティマ)	
1100	デフインナーパーツセット (オプティマ)	
300	デフガasket (4入/オプティマ)	
1000	デフシャフト (2入/オプティマ)	
1200	ギヤシャフトセット (オプティマ)	

### OT226

Ladder Chain

### OT227

Belt

### OT228

x2pcs

### OT229

x2pcs

### OT230

x2pcs

### OT231

x2pcs, x4pcs

### OT232

x2pcs, M2.6x5x0.5mm x4pcs

### OT233

x2pcs

### OT234

x2pcs, x4pcs, x2pcs

### OT235R

x2pcs, x2pcs, x4pcs, x6pcs

★ 定価 (税抜き)		
2400	チェーン (オプティマ)	
800	ベルト (オプティマ)	
800	スイングシャフト (2入/オプティマ)	
700	フロントホイールシャフト (2入/オプティマ)	
700	リアホイールシャフト (2入/オプティマ)	
700	ホイールハブセット (2入/オプティマ)	
1000	サーボセーバーシャフト (オプティマ)	
700	フランジシャフト (3x54mm) (2入/オプティマ)	
600	タイロッド (オプティマ)	
3200	フロントショック (レッド/オプティマ)	

# JAVELIN Parts List

## OT236R

x2pcs  
 x2pcs  
 x2pcs  
 x4pcs  
 x6pcs

## OT237R

x2pcs  
 x2pcs  
 x4pcs

## OT238R

x2pcs  
 x2pcs  
 x4pcs

## OT239

x2pcs

## OT240

x2pcs

## OT241

CAP M2x10mm x10pcs  
 FH TP M2.0x8mm x8pcs  
 FH M2.6x8mm x8pcs  
 FH M2.6x14mm x4pcs  
 x8pcs  
 M2.6x5x0.5mm x4pcs

## OT242

FH M3x45mm x4pcs  
 FH M3x5mm x8pcs  
 FH TP M3x12mm x16pcs  
 FH TP M3x16mm x8pcs  
 BH TP M3x8mm x4pcs  
 F BH M3x10mm x6pcs

## OT247

x2pcs

## OT248

x2pcs

## OT249

x2pcs

★ 定価 (税抜き)

OT236R	Rear Shock (Red/OPTIMA)	リヤショック (レッド / オプティマ)	3300
OT237R	Front Shock Case (Red/OPTIMA)	フロントショックケース (レッド / オプティマ)	1900
OT238R	Rear Shock Case (Red/OPTIMA)	リヤショックケース (レッド / オプティマ)	2000
OT239	Front Shock Shaft (2pcs/OPTIMA)	フロントショックシャフト (2入/オプティマ)	500
OT240	Rear Shock Shaft (2pcs/OPTIMA)	リヤショックシャフト (2入/オプティマ)	500
OT241	M2/2.6 Screw Set (OPTIMA)	M2/2.6 スクリューセット (オプティマ)	1300
OT242	M3 Screw Set (OPTIMA)	M3 スクリューセット (オプティマ)	600
OT247	Flange Shaft 3x60mm (2pcs/OPTIMA)	フランジシャフト (3x60mm) (2入/オプティマ)	700
OT248	Flange Shaft 3x26mm (2pcs/OPTIMA)	フランジシャフト (3x26mm) (2入/オプティマ)	500
OT249	Flange Shaft 3x30mm (2pcs/OPTIMA)	フランジシャフト (3x30mm) (2入/オプティマ)	500

## OT250

Snap Pin 6mm x2  
 Flat Head Screw (Hex/M3x10) x2

## OT251

Flat Head (Hex/M3x8) x2

## OT252OR

## OT253

x4pcs

## OTB246

Flange BH M3x10mm  
 Driver Stop Washer

## OTB247OR

Pivot Screw 2.6x8mm x2  
 Pan Head Screw (M2.6x4) x2  
 Washer M2.6x5x0.5 x4  
 Button Screw (Hex/M3x5) x2  
 Cap Screw (M2.6x8) x12  
 Button Screw (Hex/M3x10) x2  
 Cap Screw (M2.6x12) x1  
 Flat Head Screw (Hex/M2.6x6) x6  
 Snap Pin 6mm x3

## OTH244SC

L R

## OTT243M

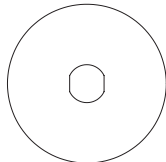
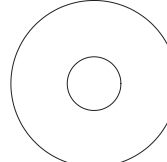


x2pcs x2pcs

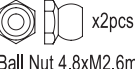
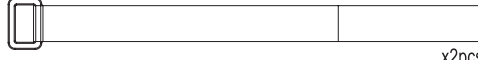
★ 定価 (税抜き)



OT250	Wing Stay	ウイングステー	750
OT251	Aluminum Roll Bar	アルミロールバー	1200
OT252OR	Wing (Orange/Javelin)	ウイング (ジャベリン) オレンジ	600
OT253	Shock Gasket 12mm(4pcs)	ショックガスケット 12mm(4入)	300
OTB246	Driver Doll (OPTIMA)	ドライバー人形 (オプティマ)	1200
OTB247OR	Body (Orange/Javelin)	ボディ (オレンジ/ジャベリン)	4200
OTH244SC	5sp Wheel 43mm (SatinChrome/2pcs/Optima)	5スポークホイール43mm (サテンクロームメッキ2入/オプティマ)	1000
OTT243M	Pin Tire 43x86x40mm M (OPTIMA)	ピンタイヤ43x86x40mm M (オプティマ)	1300



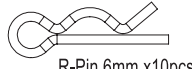
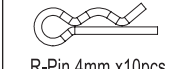
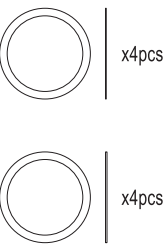


# JAVELIN Parts List

<b>SC215</b>	<b>SC216</b>	<b>SC240</b>
 x2pcs	 x2pcs	 x8pcs Pivot Ball 5.8xM2.6x11.5mm
		<b>SC241</b>
		 x4pcs Pivot Ball 5.8M3x12.5mm

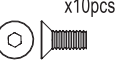
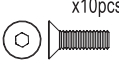
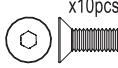
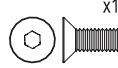
<b>SC242</b>	<b>SC246</b>
 x2pcs Ball Nut 4.8xM2.6mm	 x2pcs

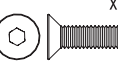

<b>SIL0100</b>	<b>W0201</b>
	 x10pcs

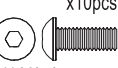
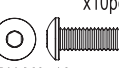


<b>36105</b>
 a b


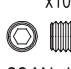


<b>92638</b>	<b>92643</b>	<b>96647</b>
 R-Pin 6mm x10pcs	 R-Pin 4mm x10pcs	 x4pcs
<b>96441B</b>		 x4pcs
 Sponge Tape 100x150 mm		





Part No.	Part Name	Quantity	Price (Tax Incl.)
SC215	Slipper Plate (2pcs/Scorpion 2014)	200	200
SC216	Slipper Pad (2pcs/Scorpion 2014)	150	150
SC240	5.8mmxM2.6 Pivot Ball (8pcs/Scorpion 2014)	300	300
SC241	5.8mmxM3 Pivot Ball (4pcs/Scorpion 2014)	200	200
SC242	4.8mmxM2.6 Ball Nut (2pcs/Scorpion 2014)	250	250
SC246	Battery Strap (16X200mm)	600	600
SIL0100	Silicone OIL #100(40cc)	600	600
W0201	5.8 Steel Ball(10pcs)	700	700
36105	2.4GHz Antenna Pipe	250	250
92638	Snap Pin (10pcs)	200	200
92643	Snap Pin(4mm/10pcs)	200	200
96441B	Sponge Tape(1x100x150)	300	300
96647	10x12mm Shim Set(0.1/0.2)4pcs	300	300

<b>1-S32606H</b>	<b>1-S32608H</b>	<b>1-S33008H</b>	<b>1-S33012H</b>
 x10pcs FH M2.6x6mm	 x10pcs FH M2.6x8mm	 x10pcs FH M3x8mm	 x10pcs FH M3x12mm

<b>1-S33015H</b>	<b>1-S33018H</b>
 x10pcs FH M3x15mm	 x10pcs FH M3x18mm

<b>1-S13008H</b>	<b>1-S13010H</b>	<b>1-S22608</b>	<b>1-S23006F</b>
 x10pcs BH M3x8mm	 x10pcs BH M3x10mm	 x5pcs CAP M2.6x8mm	 x5pcs Cap Screw(M3x6/Flanged)

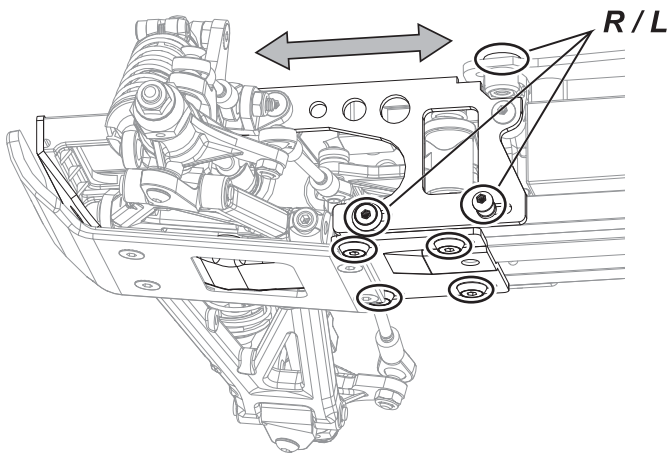
<b>1-S53003</b>	<b>1-S54004</b>	<b>1-E025</b>	<b>1-E050</b>
 x10pcs SS M3x3mm	 x10pcs SS M4x4mm	 x10pcs E2.5 Clip	 x10pcs E5 Clip

<b>1-N3024</b>	<b>1-N3033N</b>	<b>1-N4056FN</b>	<b>1-W300805</b>
 x10pcs Nut M3	 x5pcs Nylon Nut M3	 x5pcs Flanged Nylon Nut M4	 x10pcs Washer M3x8x0.5

Part No.	Part Name	Quantity	Price (Tax Incl.)
1-S32606H	Flat Head Screw (M2.6x6/10pcs)	300	300
1-S32608H	Flat Head Screw (M2.6x8/10pcs)	300	300
1-S33008H	Flat Head Screw(Hex/M3x8/10pcs)	300	300
1-S33012H	Flat Head Screw(Hex/M3x12/10pcs)	300	300
1-S33015H	Flat Head Screw(Hex/M3x15/10pcs)	300	300
1-S33018H	Flat Head Screw(Hex/M3x18/10pcs)	300	300
1-S13008H	Button Screw(Hex/M3x8/10pcs)	300	300
1-S13010H	Button Screw(Hex/M3x10/10pcs)	300	300
1-S22608	Cap Screw(M2.6x8/5pcs)	200	200
1-S23006F	Cap Screw(M3x6/Flanged/5pcs)	400	400
1-S53003	Set Screw(M3x3/10pcs)	200	200
1-S54004	Set Screw(M4x4/10pcs)	200	200
1-E025	E-Ring(E2.5/10pcs)	150	150
1-E050	E-Ring(E5.0/10pcs)	150	150
1-N3024	Nut(M3x2.4/10pcs)	200	200
1-N3033N	Nut(M3x3.3) Nylon (5pcs)	200	200
1-N4056FN	Nut(M4x5.6) Flanged Nylon (5pcs)	200	200
1-W300805	Washer(M3x8x0.5/10pcs)	200	200

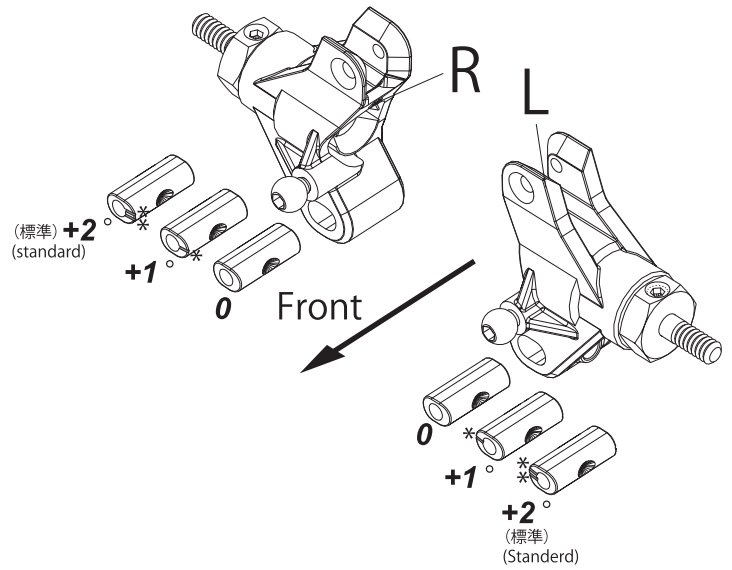
## 41 チェーンの調整 Adjustment of a chain

**!** 図のように合計10本のネジを緩め  
チェーンの張りを調整します。  
Chain tension can be adjusted by loosening  
a total of 10 screws as shown in diagram.



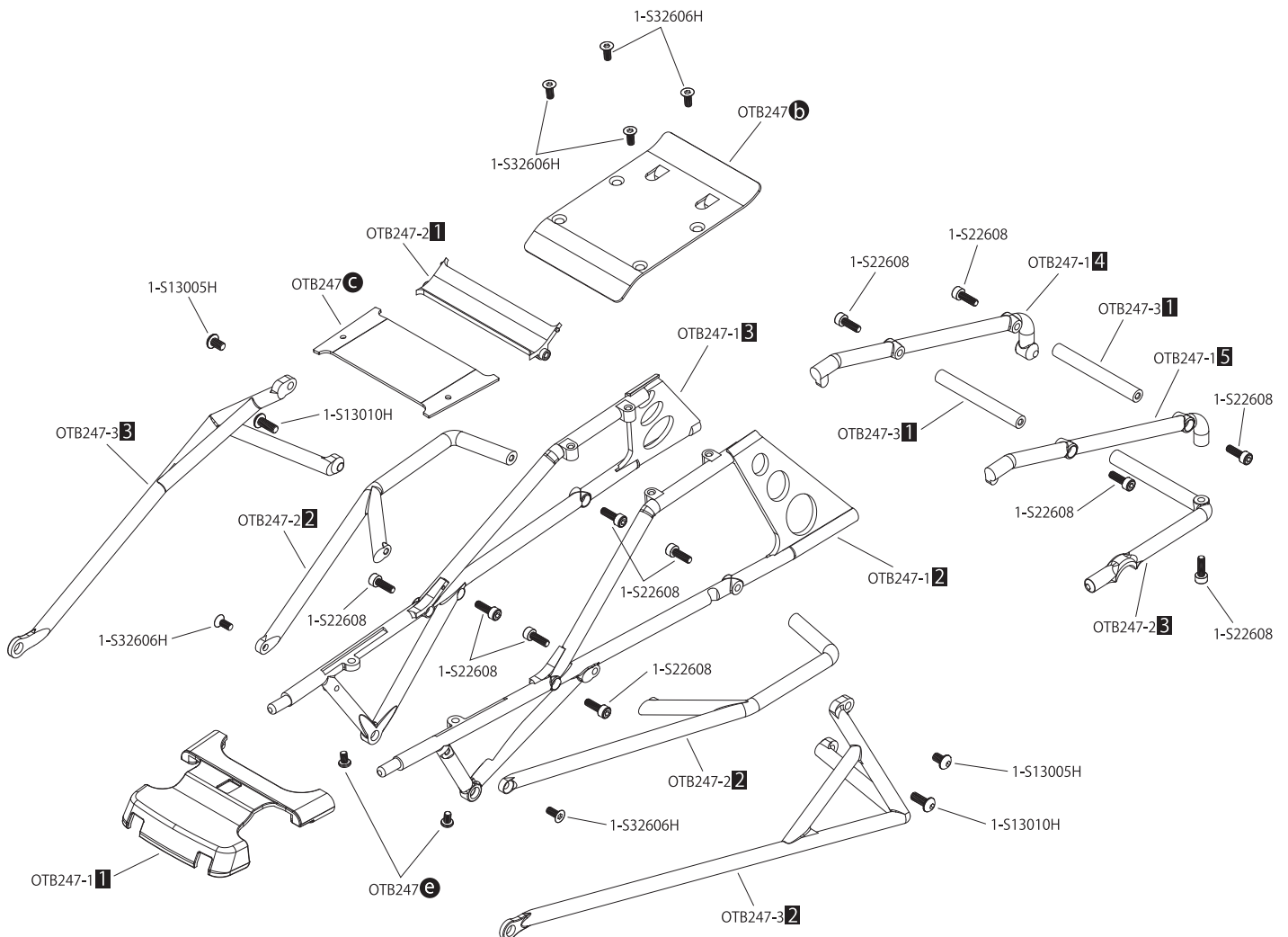
**!** 調整範囲を超えた場合1コマチェーンを  
詰めてください。  
If adjustment limit has been reached,  
remove one chain.

## 42 リヤハブローインの調整 Rear Toe Adjustment

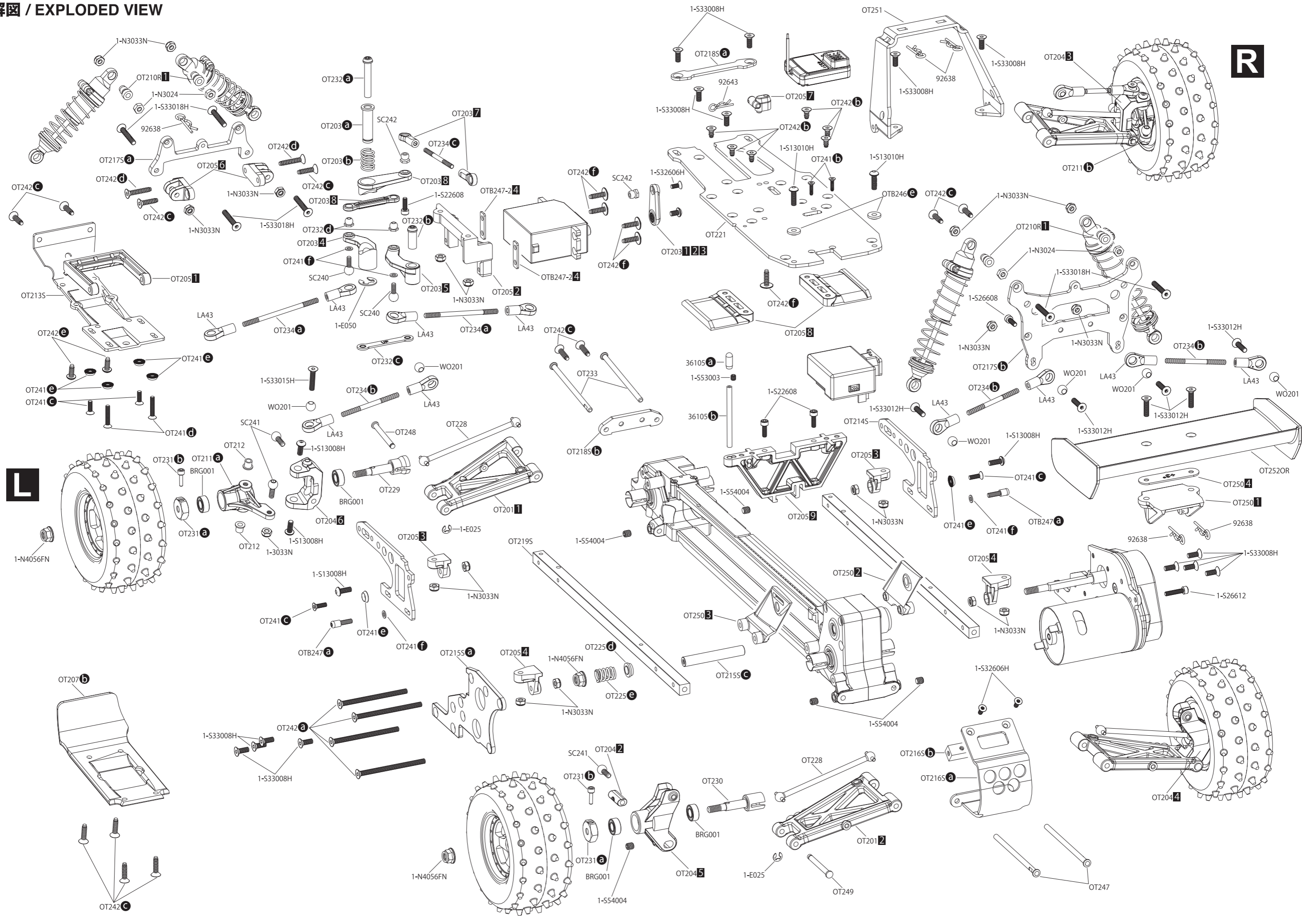


**!** \*図のようにマークがフロント内側にセット  
0ラインなし、+1度ライン1本、+2度ライン2本 (標準)  
\*Position with mark inside front as per diagram.  
No Line: 0°, 1 Line: +°, 2 Line: +2°

## 分解図 / EXPLODED VIEW

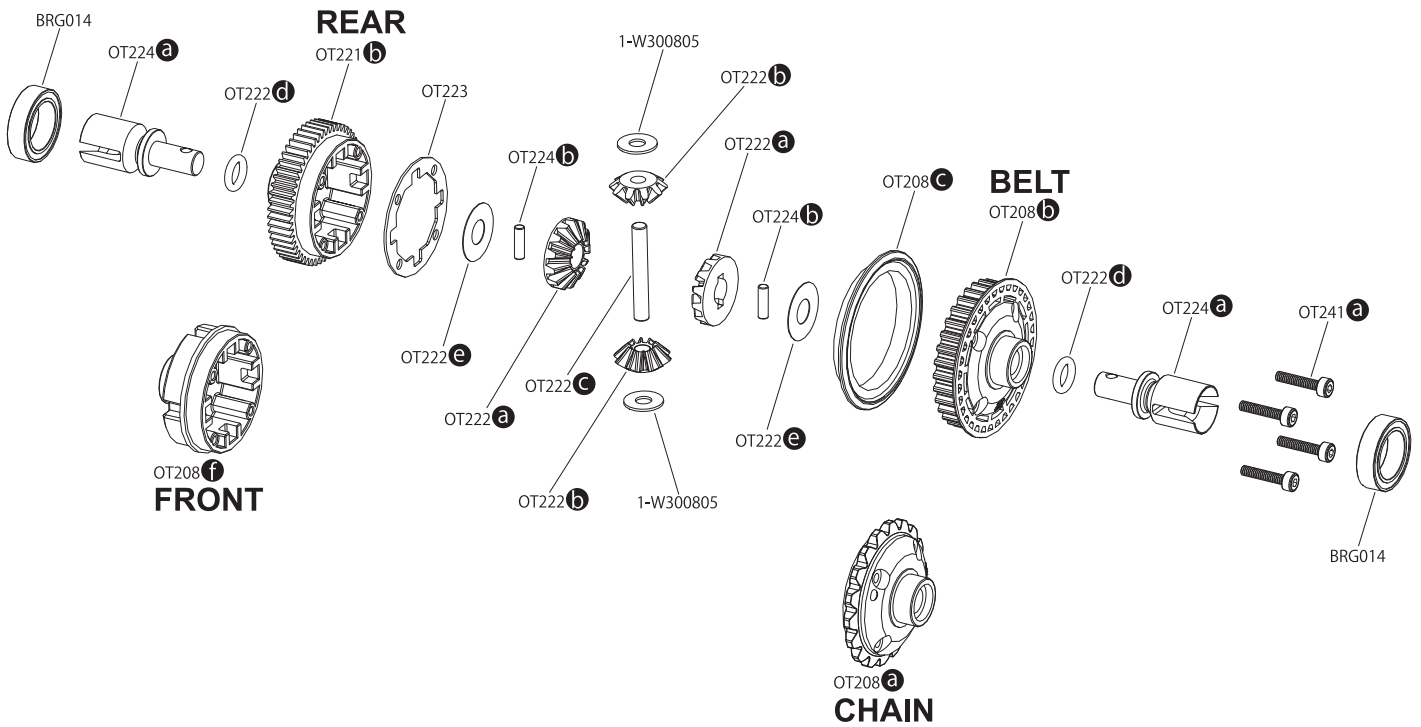
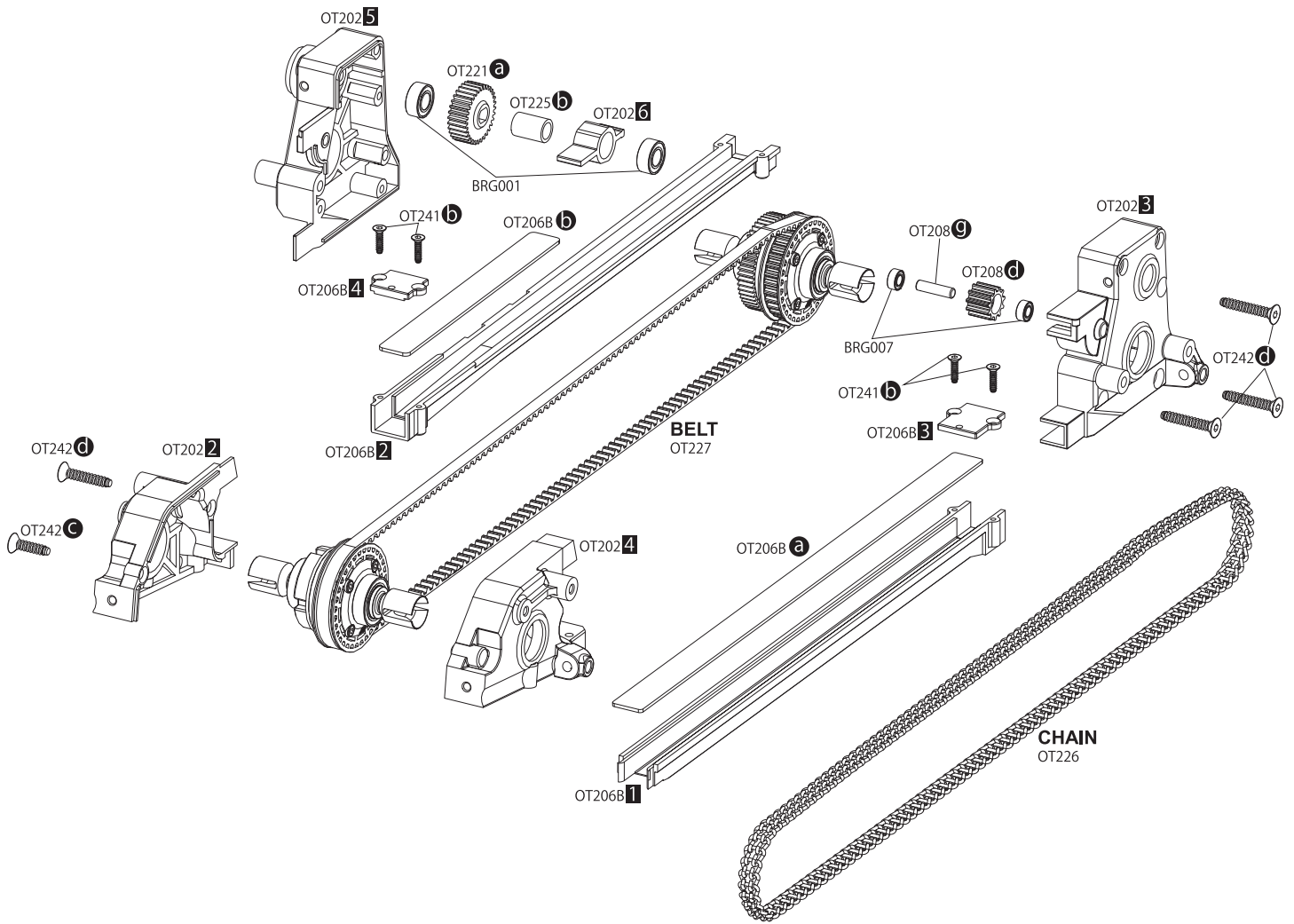


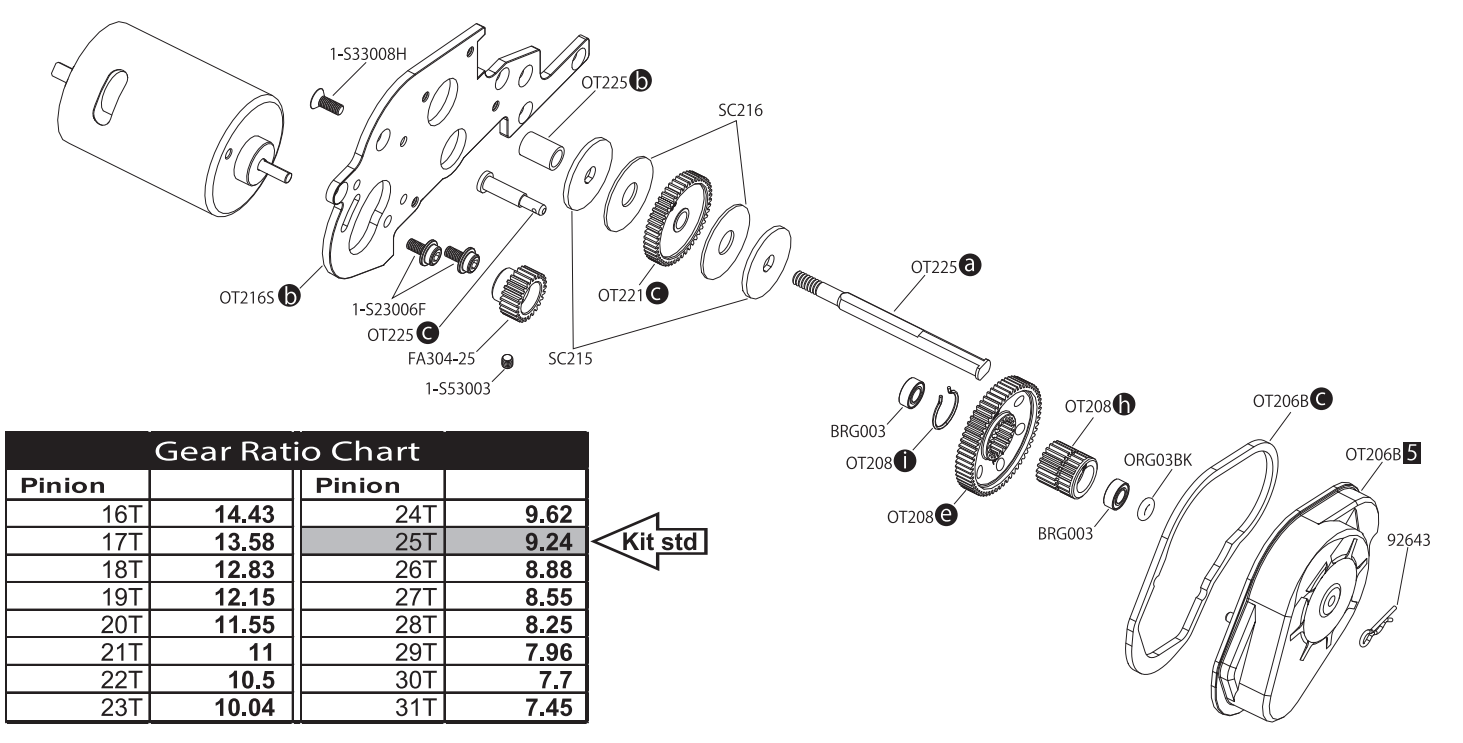
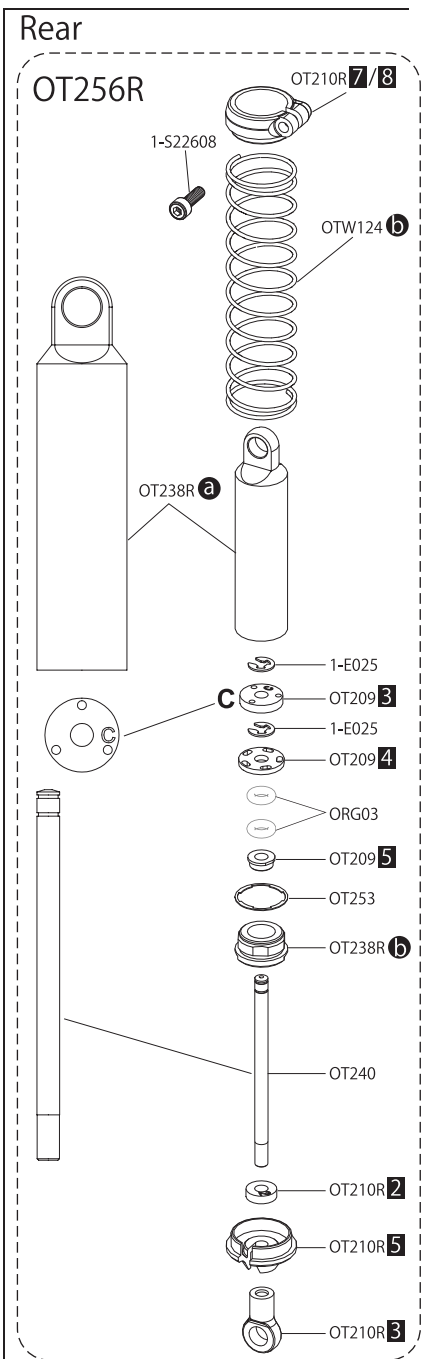
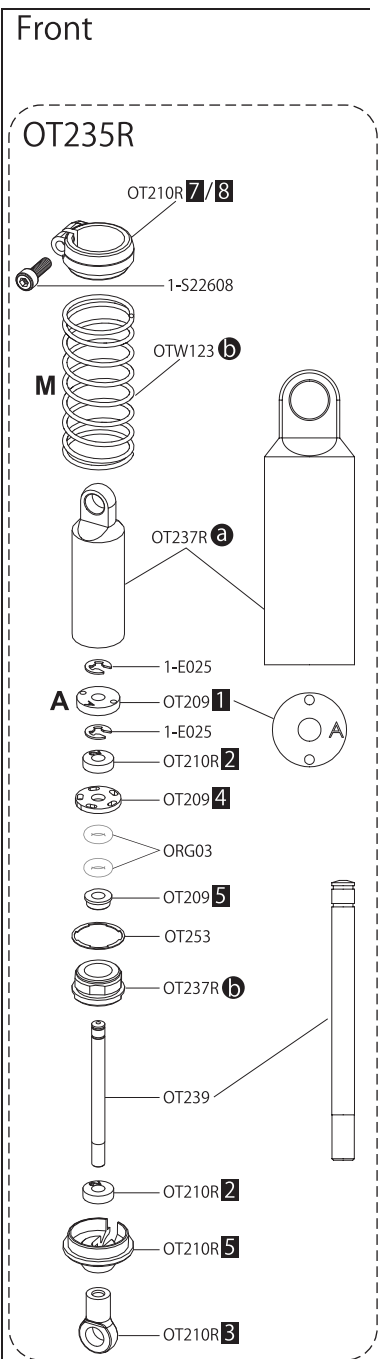
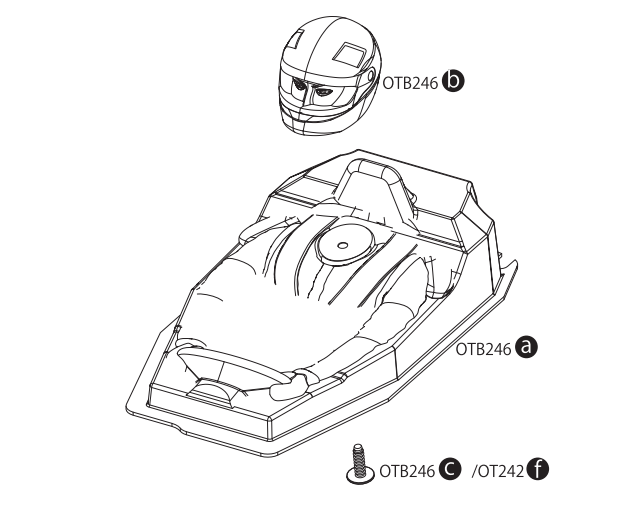
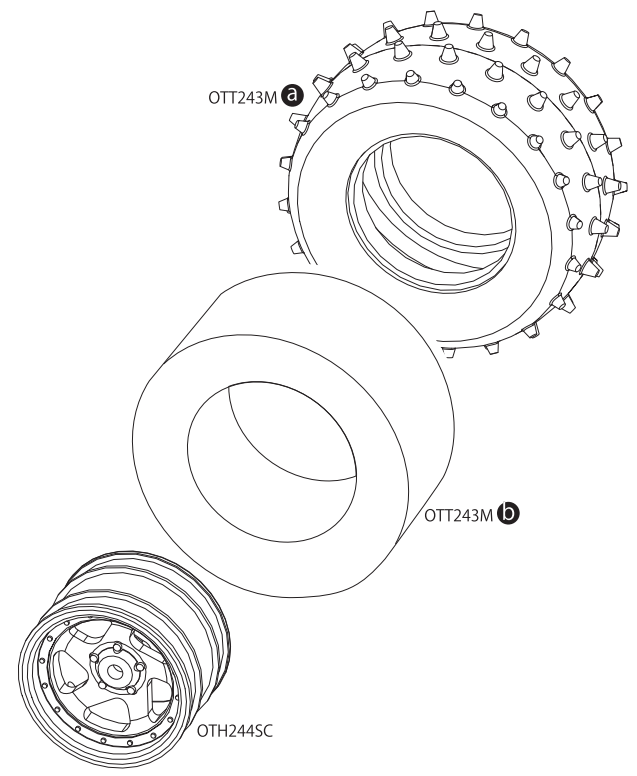
分解图 / EXPLODED VIEW





分解图 / EXPLODED VIEW





Gear Ratio Chart			
Pinion		Pinion	
16T	14.43	24T	9.62
17T	13.58	25T	9.24
18T	12.83	26T	8.88
19T	12.15	27T	8.55
20T	11.55	28T	8.25
21T	11	29T	7.96
22T	10.5	30T	7.7
23T	10.04	31T	7.45

Kit std